
1. EXPLODED VIEWS AND PARTS LIST

[MATERIAL CODE STANDARDS]

Material codes and names and their respective naming rules are managed in accordance with the prescribed standards. Please refer to these standards when requesting a material.

1. Material Code Type

● : Number

■ : Letter (Alphabet)

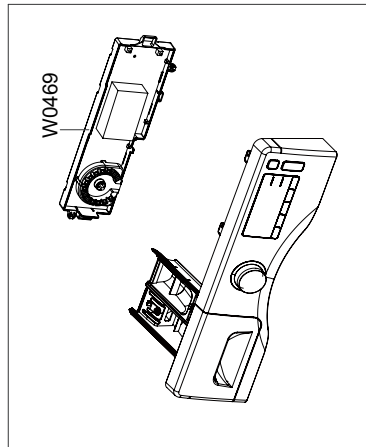
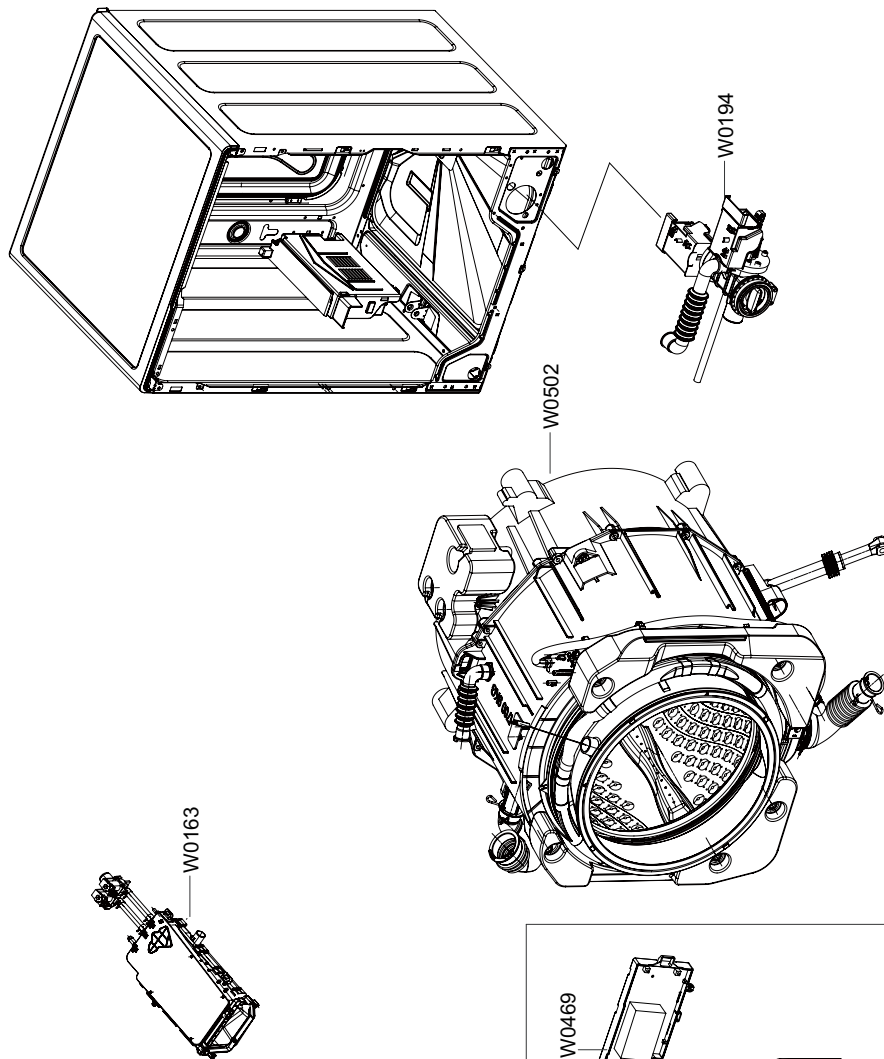
Type 1	●●●●-●●●● ex) 0204-000418 FREON	Enterprise-wide parts Type 1 materials can be used for all Samsung Electronics products. (Most electrical parts belong to this type.)
Type 2	■■●●-●●●●■ ex) DC96-01390A ASSY-CONTROL	Division-wide parts (DC**-Washing machine) Type 2 materials can be used for specific products. (Most instruments and tools belong to this type.)


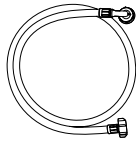
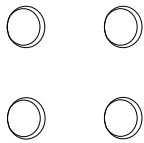


2. Ass'y Materials

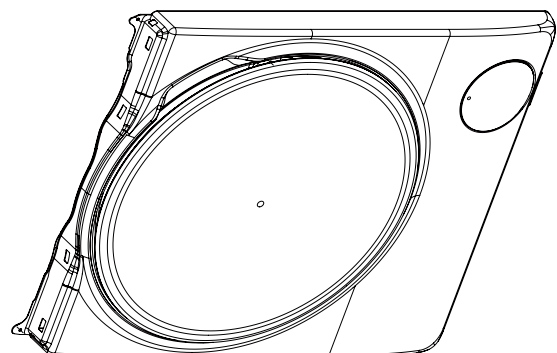
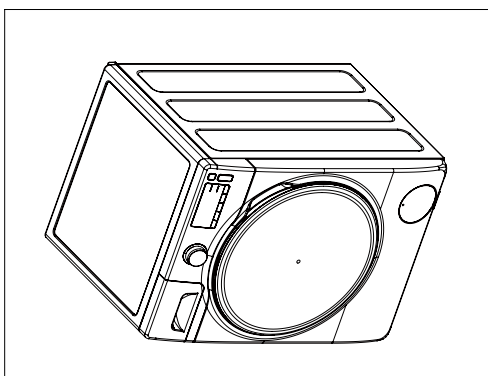
All ass'y material codes start with DC9*.

An ass'y material is created by combining more than two materials. If a requested material cannot be provided, you can request an ass'y material that contains that material.

1.MAIN



	W0626
	W0725
	W0614
	1
	W0614



MODEL CODE:WW90H7410EW/EFService Bom (**SA**: SERVICE AVAILABLE, **SNA**: SERVICE NOT AVAILABLE)

Drawing No.	Code No.	Description	Specification	QTY	Un	SA/SNA
W0502	DC90-16171A	ASSY TUB&DRUM	WW90H7410EW/EF	1	PC	SNA
W0469	DC92-01648C	ASSY PCB SUB	H700E,82.5*317,DC15V,9kg140	1	PC	SA
W0163	DC97-16005J	ASSY HOUSING DRAWER	VISTULA,WF1804WPC/XE	1	PC	SA
W0194	DC97-15696J	ASSY PUMP DRAIN	HEBA DD,BUBBLE,(220~240V	1	PC	SNA
W0614	DC67-00208B	CAP-FIXER	WF8602NHS/XFA,PP,T1.5,P535-H,B	1	PC	SA
W0614	DC67-00307A	CAP-FIXER	WF438AAC/XAA,PP,T1.5,RECYCLE,B	4	PC	SA
W0626	DC62-10278A	HOSE HANGER	PUMP MODEL,PP,BLACK	1	PC	SA
W0725	DC97-16921A	ASSY HOSE WATER	HEBA,WF8804,REFLEX,BLUE/	1	PC	SC
1	DC60-00104A	FASTENER-BOLT	ALL,CR,OD36,2.5,L113.5	1	PC	SA

MODEL CODE: WW90H7410EW/EF

Service Bom (SA: SERVICE AVAILABLE, SNA: SERVICE NOT AVAILABLE)

Drawing No.	Code No.	Description	Specification	QTY	Un	SA/SNA
W0194	DC97-15696J	ASSY PUMP DRAIN	HEBA DD,BUBBLE,(220~240V	1	PC	SNA
M0022	DC31-30008D	PUMP-DRAIN	SW-70XP,220/240V,50Hz,SYNCHRO	2	PC	SA
W0479	DC61-02271B	CASE PUMP	WF0804Y8E/XEF,PP,T2.5,W153.6,L	1	PC	SNA
W0213	DC63-01410A	COVER PUMP	COVER-PUMP,PP,T1.3,W50,L77,V0	2	PC	SNA
G0053	DC67-00461A	HOSE AIR TUB	SCOUT- PJT,EPDM,T1.5,BLK	1	PC	SNA
W0224	DC93-00016C	ASSY WIRE HARNESS-PUMP	DRUM,SCOUT,CIRCUL	1	PC	SNA
W0633	DC63-00998A	FILTER PUMP	SCOUT-PJT,PP,-,W52.8,L93.1,-	1	PC	SA
G0054	DC63-10003H	ABSORBER SPONGE	SPONGE-HOSE AIR,PU-FOAM,	1	PC	SNA
W0615	DC61-00158A	CLAMPER HOSE	SW65ASP,SK5,ID23,T0.8,-	2	PC	SNA
W0081	DC96-00146A	ASSY POWER CORD	VDE,UCP2,250V16A,H05VV-F	1	PC	SA
W0604	DC97-02250Z	ASSY HOSE DRAIN(O)	HEBA-PJT,GRY	1	PC	SA
W0635	DC97-16443C	ASSY COVER BOTTOM	VISTULA 6A MODEL,WF180	1	PC	SA
W0617	DC63-00862C	COVER BACK	WF8600NMW,GI-SGCC,T0.35,W352,	1	PC	SA
W0470	DC92-01640G	ASSY PCB MAIN	H700E,220*121mm,220V,15V,1	1	PC	SA
W0183	DC97-18116A	ASSY COVER TOP	H700E,SEINE PREMIUM,WHITE	1	PC	SA
W0616	DC61-00118A	CLAMPER HOSE-FIX	P1291,PA66,ID27,OD30	1	PC	SA
W0630	DC61-02029A	SPRING ETC-HANGER	HEBA,HSWR-SWRH,CD3.5,O	2	PC	SA
W0603	DC97-14653C	ASSY FIXER TUB	SCOUT,WF0804Y8E/XEF	4	PC	SA
W0140	DC61-02065A	GUIDE SPRING	WF448AAG/XXA,POM,T4,W24,L36	2	PC	SA
W0110	DC60-60044B	WASHER PLAIN	SBC,ID8.4/OD30,T2.0	4	PC	SA
G0049	DC60-40144A	BOLT HEX	SM10C,L35,ZPC2(YEL),M10,ZPC2(YE	2	PC	SA
W0607	DC96-01703B	ASSY SENSOR PRESSURE	PURPLE PJT,PURPLE P	1	PC	SA
W0620	DC29-00015G	FILTER EMI	LFT-215G,250V,15,53*53*97,50/	1	PC	SA
W0606	DC97-00920H	ASSY LEG	-,ALL EXCEPT AUSTRALI MODEL,L33	4	PC	SA

MODEL CODE: WW90H7410EW/EF

Service Bom (SA: SERVICE AVAILABLE, SNA: SERVICE NOT AVAILABLE)

Drawing No.	Code No.	Description	Specification	QTY	Un	SA/SNA
W0506	DC97-17198C	ASSY FRAME	H700E SEINE PREMIUM,WW90H7600	1	PC	SNA
W0721	DC97-18243A	ASSY FRAME PLATE(U)	WW90H7600EW,WW7000HE	1	PC	SA
W0254	DC97-17027T	ASSY PAINT FRAME	WW7000HE,WW90H7410EW/AH	1	PC	SA
W0623	DC61-00995C	HOLDER WIRE	HEBA-PJT,PA,-,NATURAL,-,2110	1	PC	SA
W0623	DC61-40081A	HOLDER WIRE	DAWH-2NC,PA,-,NATURAL,-	7	PC	SA
W0623	DC61-40083A	HOLDER WIRE	DAWH-3ND,NYLON66,NTR(PI24.4)	5	PC	SNA
W0248	DC61-03429A	FRAME PLATE-UP	WF906U4SAGD/SP,GI-SGCC,NT	1	PC	SA
W0623	DE65-20026A	HOLDER WIRE	PA,NTR,LOCK-TWIST/STAND/Y260	1	PC	SNA
W0643	DC26-00009D	COIL HARMONIC	8.5mH,±15%,SILICON STEEL 0	1	PC	SA
W0616	DC61-00133A	CLAMPER HOSE-FIX	P1291,PP,-,HOSE+PLUG,BJ	1	PC	SA
1	DC64-02783A	HANDLE FILTER	WF350ANW/XAA,PP,T2.3,W63.8	1	PC	SA
2	DC73-00022A	SEAL PACKING	SEW-HVR149ATA,EPDM,BLK,-	1	PC	SA
3	DC69-01128A	PACKING-PUMP	WF8804DP,IIR,BUTYL,T2.5,HEB	1	PC	SNA
4	DC63-00905A	CUSHION PUMP	WF8802DPF/XET,NBR,-,W37.6,L	1	PC	SNA
5	DC63-01464A	COVER PCB	SEINE,ABS,T2.5	1	PC	SNA
6	DC61-01901A	GUIDE FRAME FRONT	ALL MODEL,POM,T5.5,W10	2	PC	SNA
7	DC61-01937C	FIXER TUB	WF8804,FRPP,NTR,HEBA	4	PC	SNA
8	DC73-00035A	FIXER RUBBER	WF0804Y8E/XEF,EPDM,OD25/ID1	4	PC	SNA
9	DC67-00244M	HOSE DRAIN	AEGIS,EPDM,ID6,OD10,T2.0,L270	1	PC	SNA
10	DC92-01643N	ASSY KIT	PREMIUM,H700E,ERP 1400	1	PC	SNA
11	DC93-00488F	ASSY WIRE HARNESS-MAIN	DRUM,WW7000HE,Bot	1	PC	SA
12	DC61-10673C	CAP DRAIN	WF1802XEY/XSC,FRPP,BLACK	1	PC	SA

MODEL CODE:WW90H7410EW/EF

Service Bom (SA: SERVICE AVAILABLE, SNA: SERVICE NOT AVAILABLE)

Drawing No.	Code No.	Description	Specification	QTY	Un	SA/SNA
W0209	6602-001497	BELT-TIMING GEAR	RUBBER(GATES),T3.2,1270	1	PC	SA
M0487	DC32-00010C	THERMISTOR	3243OHM AT 60□,-10~100,5,100	1	PC	SA
W0237	DC47-00033B	HEATER-WASH	HEBA,SUS316L,2000,8.69,230V,	1	PC	SA
W0618	DC66-00531C	DAMPER SHOCK	HEBA,STEEL+PP+RUBBER,80N,W2	2	PC	SA
W0231	DC67-00582A	WEIGHT BALANCER-UP	HEBA-PJT,CONCRETE,T89	1	PC	SA
W0434	DC66-00500A	PULLEY MOTOR	HEBA PJT,ALDC,OD296.8,1400R	1	PC	SA
W0165	DC97-18158A	ASSY DRUM	WW 7000HE PJT,WW90H7410EW/AH	1	PC	SNA
G0049	DC60-40144A	BOLT HEX	SM10C,L35,ZPC2(YEL),M10,ZPC2(YE	2	PC	SA
W0748	DC66-00832A	DRUM-FRONT	WW 7000HE,STAINLESS-ST5430,T0	1	PC	SNA
W0747	DC66-00492A	DRUM BACK	HEBA PJT,STAINLESS-ST5430,ID48	1	PC	SNA
W0164	DC97-14369G	ASSY FLANGE SHAFT	SSEC Heba,WF8804DPA,14	1	PC	SA
W0105	6002-000520	SCREW-TAPPING	TH,+,-,2,M4,L12,ZPC(WHT),S	2	PC	SNA
W0502	DC90-16171A	ASSY TUB&DRUM	WW90H7410EW/EF	1	PC	SNA
W0636	DC97-18139A	ASSY SEMI TUB FRONT	H700E	1	PC	SA
M0045	DC97-18132A	ASSY DIAPHRAGM	H700E	1	PC	SNA
G0415	DC61-02646A	GUIDE HOSE	WF0804Y8E,PP,T2.0,W9.8,L36.6,	2	PC	SNA
W0615	DC61-00158A	CLAMPER HOSE	SW65ASP,SK5,ID23,T0.8,-	2	PC	SNA
G0052	DC67-00774A	HOSE-CIRCULATION	WW90H7410EW/EF,EPDM,ID9	1	PC	SNA
W0605	DC97-14637G	ASSY HOSE PRESSURE	SCOUT COMBO,WD0804W8N	1	PC	SA
W0615	DC61-00158A	CLAMPER HOSE	SW65ASP,SK5,ID23,T0.8,-	2	PC	SNA
M0005	DC61-70029C	CLIP RING	SEW-HW125,HSWR,WHITE	2	PC	SNA
G0054	DC63-10003H	ABSORBER SPONGE	SPONGE-HOSE AIR,PU-FOAM,	1	PC	SNA
W0725	DC67-00230E	HOSE WATER	WD8704,TPE,ID4.5,GRY	1	PC	SNA
W0625	DC67-00293A	HOSE FILTER TUB	HEBA-PJT,EPDM,-,-,T2.5,-	1	PC	SA
W0610	DC72-00001H	CLIP RING	HEBA-PJT,HSWR-SWRH,PI3.0,ID35,	1	PC	SNA
M0038	DC97-14618G	ASSY CLAMP DIAPHRAGM	H900E,HSWR	1	PC	SNA
W0624	DC67-00674A	HOSE DRAWER TUB	SEINE COMBO,EPDM,ID34.9,	1	PC	SNA
W0437	DC67-00298A	HOSE AIR	HEBA PJT,EPDM,-,-,T2.5,-,BLK,-	1	PC	SA
W0744	DC65-00021A	CLAMPER HOSE-JOINT	HEBA PJT,HSWR-SWRH,ID	1	PC	SNA
W0610	DC72-00001G	CLIP RING	HEBA-PJT,HSWR-SWRH,T3.0,ID49.5	1	PC	SNA
F0100	DC65-60118J	CLIP RING	HSWR-SWRH,-,PI2.0/ID23	1	PC	SNA
W0610	DC65-60118R	CLIP RING	AEGIS-PJT,HSWR-SWRH,T3.0,ID37,	1	PC	SA

MODEL CODE:WW90H7410EW/EFService Bom (**SA**: SERVICE AVAILABLE, **SNA**: SERVICE NOT AVAILABLE)

Drawing No.	Code No.	Description	Specification	QTY	Un	SA/SNA
W0615	DC61-00158A	CLAMPER HOSE	SW65ASP,SK5,ID23,T0.8,-	2	PC	SNA
G0049	6011-003934	BOLT-HEX	M7.6,L48,ZPC(WHT),SCM 435,WASHE	9	PC	SA
W0601	DC97-14263A	ASSY BOLT	HEBA-PJT,MOTOR/BOLT(M8)+WASHER	4	PC	SA
G0049	6011-001498	BOLT-HEX	M10,L27,ZPC(YEL),SWRCH10AK,WS/N	1	PC	SA
G0049	DC60-40137A	BOLT HEX	MARS-PJT,STAINLESS-ST5430,M8,P1	6	PC	SA
G0041	6601-000148	BEARING-BALL	6206ZZ,ID30,OD62,L16,STB2	1	PC	SNA
G0041	6601-000176	BEARING-BALL	6205ZZ,ID25,OD52,L15,STB2	1	PC	SNA
W0726	DC61-01934C	TUB BACK	Heba,FRPP,NTR,1400RPM	1	PC	SNA
W0148	DC62-00008A	SEAL OIL	NBR,BLACK,-,NBU	1	PC	SA
W0609	DC93-00015A	ASSY WIRE EARTH	AEGIS,5KG,230V/50HZ,EART	1	PC	SA
W0230	DC61-02874A	BRACKET HEATER	WD0704CQR,STAINLESS-ST543	1	PC	SNA
W0740	DC69-01154A	PACKING-TUB	WF8804DP,EPDM,-,L1650	1	PC	SA
W0736	DC97-16856A	ASSY HOUSING BEARING	HEBA,WF8804DPA1,ALD	1	PC	SNA
G0029	DC97-16462E	ASSY SEMI TUB BACK	Heba PJT,WF8804ASA,8.	1	PC	SA
M0028	DC69-00824A	PACKING-THERMISTOR	GW-PJT,EPDM,-,W17,H	1	PC	SNA
W0897	DC93-00482A	ASSY SENSOR	WW8000HE,5V,8-BUTTON,TOUCH S	1	PC	SA
1	DC93-00316B	ASSY MOTOR BLDC	SEINE,WDM350FGA,0~220Vdc	1	PC	SA
2	DC66-00837A	DRUM-WRAPPER	WW 7000HE,STAINLESS-ST5430,	1	PC	SNA
3	DC67-00598A	HOSE JOINT AIR	WD0804W8N1YAH,PP,ID36.2,	1	PC	SNA
4	DC61-01088A	BUSH MOTOR	Q1636,PA6,ID16.2,OD20.2,L21.4	2	PC	SNA
5	DC97-18112A	ASSY WEIGHT BALANCER-LEFT	H700E,WW90H760	1	PC	SA
6	DC97-18113A	ASSY WEIGHT BALANCER-RIGHT	H700E,WW90H76	1	PC	SA
7	DC66-00831A	DRUM LIFTER	H700E,PP,T2.5,-,TB53,INNER G	3	PC	SNA
8	DC61-03827A	TUB FRONT	H700E,FRPP,T3.5,NATURAL,9KG	1	PC	SNA
9	DC47-00027F	ASSY LAMP LED	1,FR-1,56*30,WHITE,AMP 179	1	PC	SA
10	DC64-03092A	DOOR DIAPHRAGM	WF-H700E,EPDM,T1.5,-,EPDM	1	PC	SA
11	DC97-18140A	ASSY HOSE CIRCULATION	H700E	1	PC	SA
12	DC61-03894A	BRACKET TUB	WW9000HE,STAINLESS-ST5430,T0	1	PC	SNA

MODEL CODE: WW90H7410EW/EF

Service Bom (SA: SERVICE AVAILABLE, SNA: SERVICE NOT AVAILABLE)

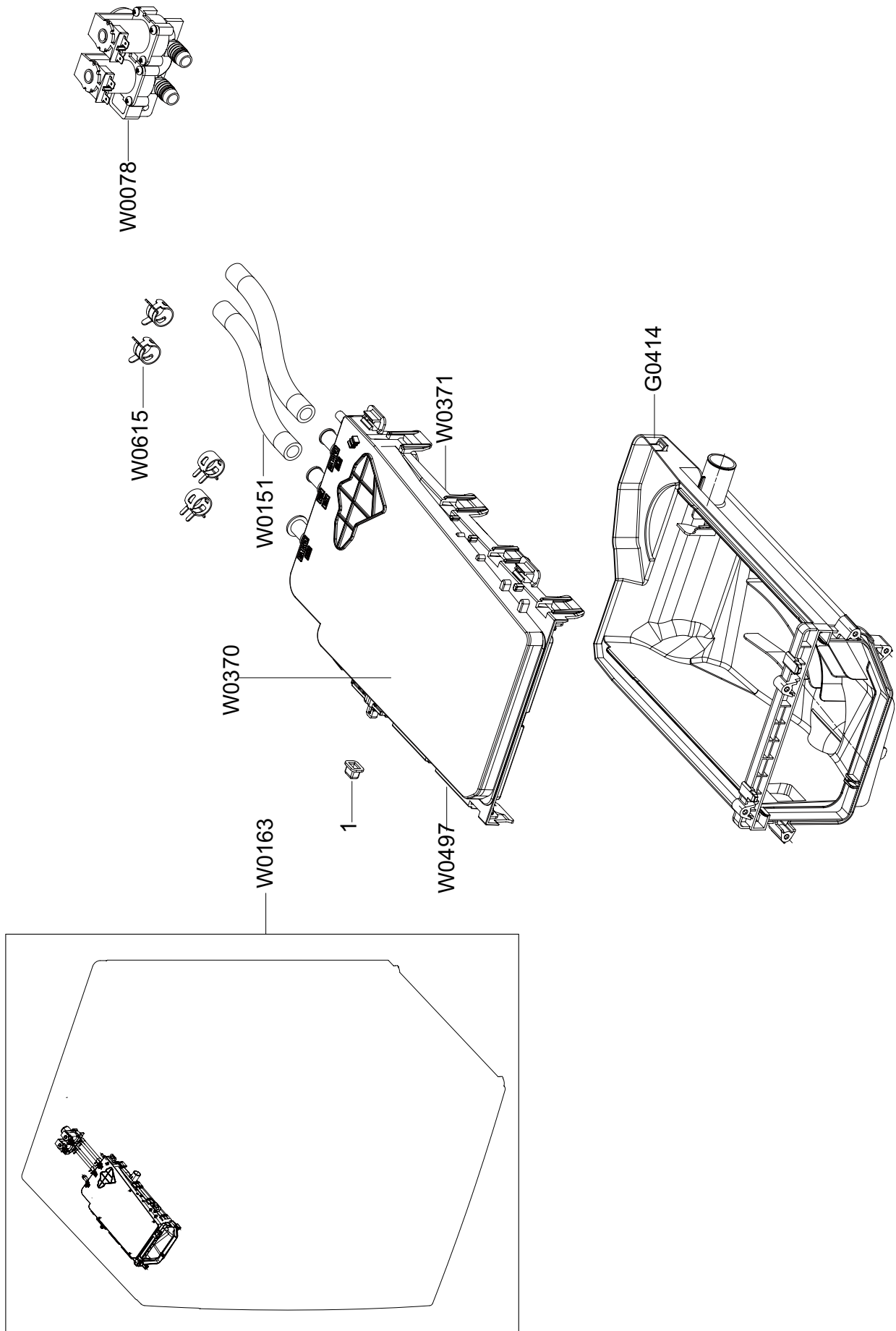
SVC Code	Code No.	Description	Specification	QTY	Un	SA/SNA
W0454	DC97-18127A	ASSY HOLDER GLASS	H700E,SEINE PREMIUM	1	PC	SA
G0427	DC61-03816A	HOLDER GLASS	H800E,PP,-,-,FC2305	1	PC	SNA
W0217	DC64-00564A	HANDLE PIN	Q1636GW/XEU,STS,-,-,-,TS-	1	PC	SA
W0142	DC61-02027A	SPRING ETC LEVER	STAINLESS-STS304,CD1.2,	1	PC	SA
W0105	6002-000520	SCREW-TAPPING	TH,+,-,2,M4,L12,ZPC(WHT),S	2	PC	SNA
W0459	DC97-18126A	ASSY DOOR	H700E,SEINE PREMIUM	1	PC	SNA
W0253	DC97-18100A	ASSY FRAME FRONT	H700E,DA WHITE	1	PC	SA
W0608	DC91-12078H	ASSY WIRE DIAPHRAGM	H900E	1	PC	SA
W0457	DC97-18002B	ASSY COVER DOOR	WW8000HE,WW12H8420EX/EU	1	PC	SNA
1	DC64-03158A	DOOR GLASS	WW7000H,GLASS,T5.0,-,CLEAR TP	1	PC	SA
2	DC63-01699A	COVER DOOR	H900E,ABS+PMMA,-,-,GENTLE BLU	1	PC	SA
3	DC63-01730A	COVER GLASS	ABS,-,-,VERSAILLES GRAY,HG-0	1	PC	SA
4	DC61-03832A	BRACKET HOLDER	H800E,GI-SGCC,T1.4,-	1	PC	SNA
5	DC66-00816A	LEVER DOOR	ZNDC,T5.0,-,-,NI COATING	1	PC	SNA
6	DC63-01729A	COVER HOLDER	PP,T2.0,-,-,FC2305	1	PC	SA
7	DC61-03831B	GUIDE FILTER	PP,T2.0,HB,FC2305,WHITE	1	PC	SNA
8	DA66-01072A	LATCH	LATOUR,POM,BLACK,DC LATCH	1	PC	SNA
9	DC97-18046A	ASSY HINGE	H800E	1	PC	SA
10	6044-000125	RING-E	ID4,OD9,T0.6,STSC	1	PC	SNA
10	6044-000125	RING-E	ID4,OD9,T0.6,STSC	1	PC	SNA
11	DC61-03829A	BRACKET DOOR	H800E,ALDC,T2.0,-	1	PC	SNA
12	DC61-03839A	FRAME FRONT	H700E,EGI-SECC,-,DA WHITE,T0	1	PC	SNA
13	DC66-00844A	SHAFT HINGE	H800E,STAINLESS-STS304,L146,	1	PC	SNA
14	DC61-03835A	SUPPORT HINGE	H800E,ALDC,T4.0,-,-	1	PC	SNA
15	DC61-03848A	SUPPORT HINGE-LEFT	ALDC,T4.0,-,-	2	PC	SNA
16	DC61-03875A	SPRING HINGE	STAINLESS-STS304,OD1.7,L32.	1	PC	SNA
17	DC66-00830A	LEVER LINK(C)	ALDC,T8.0,-,-,NI coating	1	PC	SNA
18	DC66-00843A	SHAFT HINGE	H800E,STAINLESS-STS304,L243,	1	PC	SNA
19	DC34-00026A	SWITCH DOOR LOCK	AC250V,16A,41N	1	PC	SA
20	DC63-01720A	COVER FILTER	H900E,ABS,T3.0,-,DA WHITE,H	1	PC	SA

MODEL CODE: WW90H7410EW/EF

Service Bom (SA: SERVICE AVAILABLE, SNA: SERVICE NOT AVAILABLE)

SVC Code	Code No.	Description	Specification	QTY	Un	SA/SNA
W0158	DC97-18117A	ASSY PANEL DRAWER	WW90H7410EW/EF	1	PC	SA
W0478	DC97-18114D	ASSY PANEL CONTROL	WW90H7410EW/EF,FRENCH	1	PC	SNA
W0180	DC64-03085A	PANEL CONTROL	H700,ABS,HB,HG-0760GP,DA W	1	PC	SNA
G0431	DC97-18217A	ASSY BUTTON	H700E	1	PC	SNA
W0469	DC92-01648C	ASSY PCB SUB	H700E,82.5*317,DC15V,9kg140	1	PC	SA
W0475	DC97-17318C	ASSY KNOB ENCODER	H800E	1	PC	SA
W0193	DC64-02863A	KNOB ENCODER	F500E,ABS,W46.1,L34.6,NEAT	1	PC	SNA
W0156	DC61-03129A	BODY DRAWER	WF1802XEC/YLP,PP,T2.0,WHT,VO	1	PC	SA
W0215	DC67-00452A	CAP RINSE	WF0800NCE,PP,W66.4,L219.2,ECO	1	PC	SNA
W0632	DC67-00524A	CAP DRAWER	WF0804Y8E/XEF,PP,T2.0,W27,L43	1	PC	SA
M0102	DC61-02581C	GUIDE LIQUID-MIDDLE	WF1802XEC,PP,T2.0,W6	1	PC	SA
W0897	DC93-00482A	ASSY SENSOR	WW8000HE,5V,8-BUTTON,TOUCH S	1	PC	SA
1	DC64-03087A	PANEL DRAWER	H700,ABS,HB,HG-0760GP,DA WH	1	PC	SNA
2	DC64-03088A	HANDLE DRAWER	H700,ABS,-,HG-0760GP,HB,DA	1	PC	SNA
3	DC64-02600D	WINDOW ENCODER	H700E,PC,-,SC-1220R,GRAY	1	PC	SNA
4	DC64-03137D	WINDOW PANEL	WW90H7410EW/EF,PMMA,HB,FT61	1	PC	SNA
6	DC64-03105A	DECORATION BUTTON-START	PMMA,T2.3,HB,-	1	PC	SNA
7	DC64-03096A	BUTTON PUSH	H800E,ABS,-,DA WHITE	1	PC	SNA
8	DC63-01739A	COVER BUTTON	ABS,T2.5,-,DA WHITE,HG-0760	1	PC	SNA
9	DC64-02864D	DECORATION ENCODER	ABS+PMMA,T4.0,HB,EBON	1	PC	SNA

6.ASS'Y HOUSING DRAWER



MODEL CODE: WW90H7410EW/EFService Bom (**SA**: SERVICE AVAILABLE, **SNA**: SERVICE NOT AVAILABLE)

Drawing No.	Code No.	Description	Specification	QTY	Un	SA/SNA
W0163	DC97-16005J	ASSY HOUSING DRAWER	VISTULA,WF1804WPC/XE	1	PC	SA
G0414	DC61-02434A	HOUSING DRAWER-LOW	HEBA-PJT,PP,T1.8,NATU	1	PC	SA
W0078	DC62-00024F	VALVE WATER	220-240,10,D-2	1	PC	SA
W0615	DC65-00008B	CLAMPER HOSE	SSEC-GE,SK5,ID14.2,ZPC2,T1.	4	PC	SNA
W0151	DC67-00051B	HOSE DRAWER	Q1636GW/XEU,EPDM,ID9.0,OD14.	0.42	M	SNA
W0497	DC97-16006A	ASSY S.HOUSING DRAWER	SCOUT,WF0804Y8E,PP	1	PC	SNA
W0371	DC61-02585A	HOUSING DRAWER-MIDDLE	WF0800NCE,PP,NATUR	1	PC	SNA
W0370	DC61-02587A	HOUSING DRAWER-UP	WF0800NCE,PP,T1.8,W162	1	PC	SNA
1	DC67-00327A	CAP DRAWER HOOK	HEBA-PJT,EPDM,T1.1,W13.9	1	PC	SNA

8.PARTS LIST (SCREW TYPE)**MODEL CODE: WW90H7410EW/EF**Service Bom (**SA**: SERVICE AVAILABLE, **SNA**: SERVICE NOT AVAILABLE)

SVC CODE	Code No.	Description	Specification	QTY	Un	SA/SNA
	DC63-01737A	COVER PCB-SUB	HIPS,T2.5,V0,-,F744	1	PC	SA

9.PARTS LIST (SCREW TYPE)

MODEL CODE: WW90H7410EW/EF

Service Bom (SA: SERVICE AVAILABLE, SNA: SERVICE NOT AVAILABLE)

SVC CODE	Code No.	Description	Specification	QTY	Un	SA/ SNA
W0105	6002-000520	SCREW-TAPPING	TH,+,-,2,M4,L12,ZPC(WHT),S	4	PC	SNA
F0056	6003-001768	SCREW-TAPTYPE	TH,+,WT,S,M4,L10,ZPC(WHT),	2	PC	SNA
W0105	6006-001174	SCREW-TAPPING	TH,+,WE,2S,M4,L12,ZPC(WHT)	5	PC	SNA
W0105	6002-001327	SCREW-TAPPING	PWH,+,1,M4,L12,ZPC(WHT),SW	6	PC	SNA
W0105	6006-001174	SCREW-TAPPING	TH,+,WE,2S,M4,L12,ZPC(WHT)	2	PC	SNA
W0105	DE60-10080A	SCREW-TAPPING	PWH,+,-,2S,M5,L9,-,SWRCH18	2	PC	SNA
W0105	6002-000445	SCREW-TAPPING	TH,+,NO,2,M4,L18,PASS,STS4	4	PC	SNA
W0105	6002-000520	SCREW-TAPPING	TH,+,-,2,M4,L12,ZPC(WHT),S	1	PC	SNA
W0105	6002-001438	SCREW-TAPPING	HWH,+,NO,1,M5,L12,ZPC(WHT)	2	PC	SNA
	6003-001563	SCREW-TAPTYPE	TH,+,S,M4,L8,NI PLT,SWRCH1	2	PC	SNA
W0105	6006-001174	SCREW-TAPPING	TH,+,WE,2S,M4,L12,ZPC(WHT)	4	PC	SNA
W0102	6009-001343	SCREW-SPECIAL	PH,TORX,M4,L12,ZPC(WHT),SW	1	PC	SNA
W0105	6002-000520	SCREW-TAPPING	TH,+,-,2,M4,L12,ZPC(WHT),S	2	PC	SNA
W0085	6001-000115	SCREW-MACHINE	BH,+,-,M3,L10,ZPC(WHT),SWR	2	PC	SNA
W0105	6002-000630	SCREW-TAPPING	PH,+,NO,2S,M3,L8,ZPC(WHT),	3	PC	SNA
M0030	DC97-14006C	ASSY SCREW	GRIFFIN-PJT,WF9904RWE,SWRCH18	2	PC	SA
W0105	6002-001436	SCREW-TAPPING	PH,+,2,M4,L18,ZPC(WHT),SWR	6	PC	SNA
M0030	DC97-15858A	ASSY SCREW	trumph-PJT,WF-F1061/YLP,SWRCH	2	PC	SNA
W0085	6001-001773	SCREW-MACHINE	TH,+,-,M5,L12,PASS,STS430,	2	PC	SA
W0105	6002-001286	SCREW-TAPPING	FH,+,-,1,M4,L16,PASS,STS43	2	PC	SNA
	6002-001554	SCREW-TAPPING	TH,+,No,1,M4,L12,STS430,HE	2	PC	SNA
W0105	6002-000239	SCREW-TAPPING	TH,+,NO,2S,M4,L8,ZPC(WHT),	2	PC	SNA
W0105	6002-000630	SCREW-TAPPING	PH,+,NO,2S,M3,L8,ZPC(WHT),	2	PC	SNA
W0105	6002-000445	SCREW-TAPPING	TH,+,NO,2,M4,L18,PASS,STS4	4	PC	SNA
W0105	6002-000444	SCREW-TAPPING	TH,+,2,M4,L14,PASS,STS430	2	PC	SNA
W0105	6002-000445	SCREW-TAPPING	TH,+,NO,2,M4,L18,PASS,STS4	2	PC	SNA
W0105	6002-000520	SCREW-TAPPING	TH,+,-,2,M4,L12,ZPC(WHT),S	1	PC	SNA
G0425	6009-001367	SCREW-HEX	HWH,+,-,M6.5,L32,ZPC(WHT),SWRC	16	PC	SNA
F0056	6003-001768	SCREW-TAPTYPE	TH,+,WT,S,M4,L10,ZPC(WHT),	1	PC	SNA
	6002-001554	SCREW-TAPPING	TH,+,No,1,M4,L12,STS430,HE	2	PC	SNA
W0105	6002-000444	SCREW-TAPPING	TH,+,2,M4,L14,PASS,STS430	6	PC	SNA
W0105	6002-001006	SCREW-TAPPING	TH,+,-,2S,M4,L12,PASS,STS4	3	PC	SNA