



5. EXPLODED VIEWS AND PARTS LIST

[MATERIAL CODE STANDARDS]

Material codes and names and their respective naming rules are managed in accordance with the prescribed standards. Please refer to these standards when requesting a material.

1. Material Code Type

- : Number
- : Letter (Alphabet)

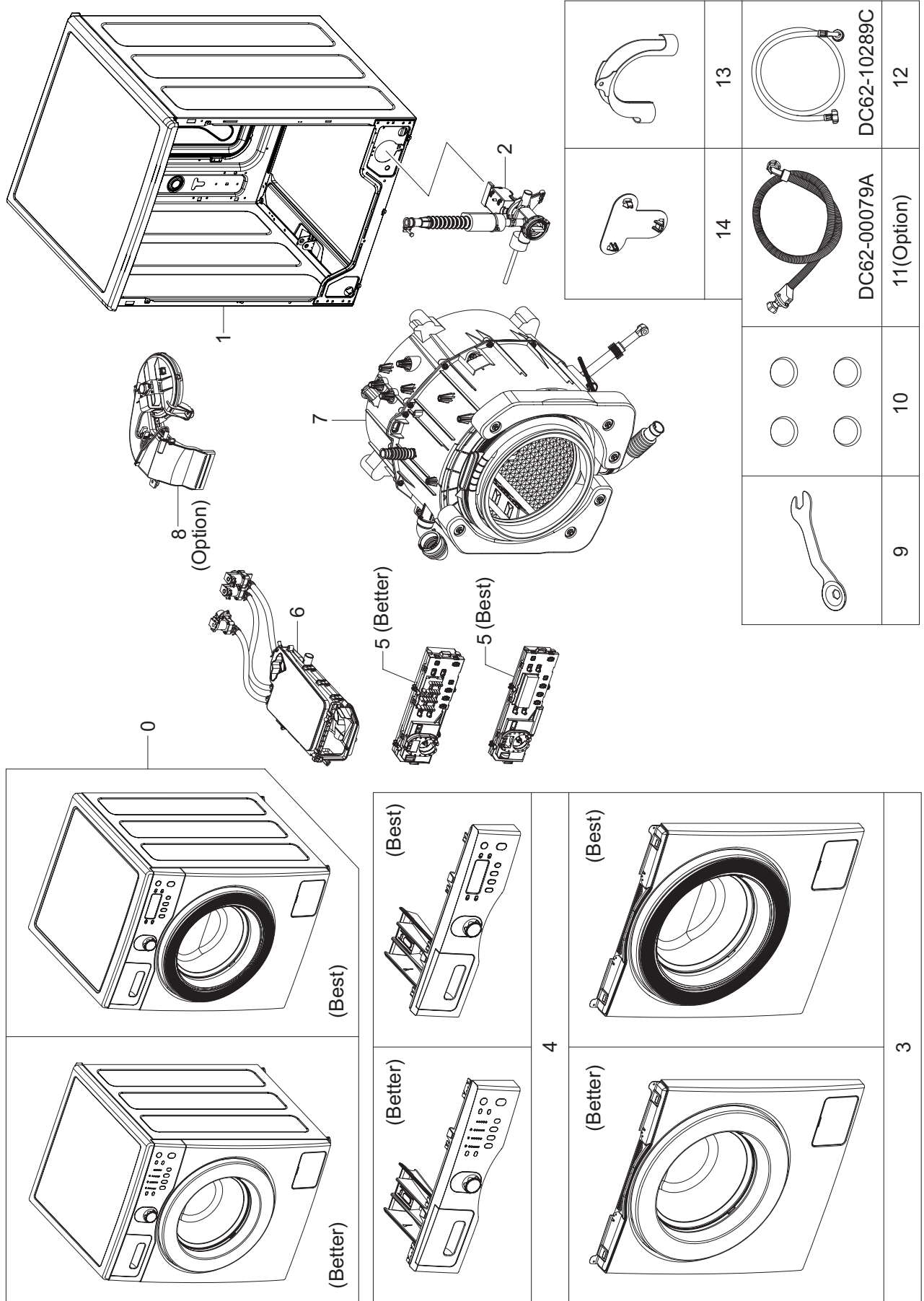
Type 1	 ex) 0204-000418 FREON	Enterprise-wide parts Type 1 materials can be used for all Samsung Electronics products. (Most electrical parts belong to this type.)
Type 2	 ex) DC96-01390A ASSY-CONTROL	Division-wide parts (DC**-Washing machine) Type 2 materials can be used for specific products. (Most instruments and tools belong to this type.)

2. Ass'y Materials

All ass'y material codes start with DC9*.

An ass'y material is created by combining more than two materials. If a requested material cannot be provided, you can request an ass'y material that contains that material.

5-1. MAIN



MODEL CODE: WF8802DPF1/XETService Bom (**SA**: SERVICE AVAILABLE, **SNA**: SERVICE NOT AVAILABLE)

Drawing No.	Code No.	Description	Specification	QTY	Un	SA/SNA
0	WF8802DPF1_XET	SET				
1		FRAME & COVER PARTS	Refer to 5.2 Frame & Cover Parts	1		
2	DC96-01533B	ASSY PUMP DRAIN	HEBA-PJT,WF8802,NOAIRVENT,220~240V/50Hz	1	PC	SNA
3	DC97-16454A	ASSY FRAME FRONT	HEBA-PJT,WF8804DPA/XEO,WHITE	1	PC	SA
4		PANEL-CONTROL & DRAWER	Referto5.4Control&Drawer	1		
5	DC92-00594F	ASSY PCB MAIN	HEBA BEST,WF8802DPF1/XET,8kg 1200rpm,220V/50Hz,Ag+, AIRWASH,Y,SMPS	1	PC	SA
6	DC97-14654A	ASSY HOUSING DRAWER	WF8804DP,HEBA-PJT/,-,-,-,AG+	1	PC	SA
7	DC90-05174A	ASSY TUB&DRUM	HEBA ITALY 8.0KG,WHT WF8802DPF1/XET	1	PC	SNA
8	DC97-14537A	ASSY AIR WASH	WF8804DP,AIRWASH,MOTOR+PTCHEATE R,-,-,-	1	PC	SA
9	DC60-40146A	BOLT-SPANER	-,CR,-,T2.5,OD36,-,-,-,-	1	PC	SA
10	DC67-00307A	CAP-FIXER	WF438AAC/XAA,PP,T1.5,Φ33,- ,WHT,PURPLE-PJT	4	PC	SA
11	DC62-00079A	HOSE-WATER	P1405J,PVC+NYLON,-,-,- ,L1500,GRY,ACQUA-STOP	1	PC	SA
13	DC62-10278A	HOSE-HANGER	PP,NTR,JS20RESIN	1	PC	SNA
14	DC67-00208A	CAP-FIXER	J1453GW/XEU,PP,T1.5,NTR	1	PC	SA

MODEL CODE: WF8804DPA1/XEOService Bom (**SA**: SERVICE AVAILABLE, **SNA**: SERVICE NOT AVAILABLE)

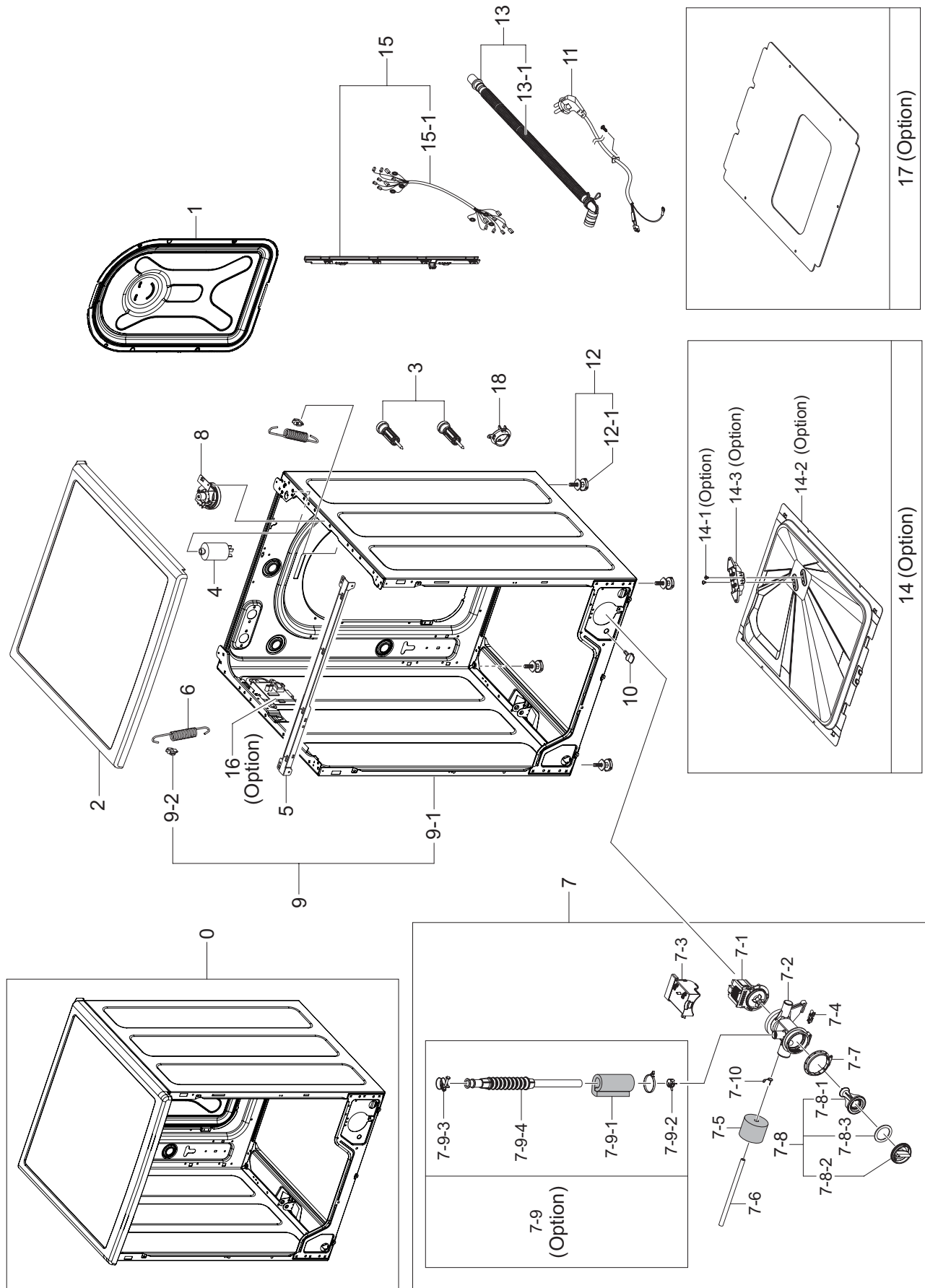
Drawing No.	Code No.	Description	Specification	QTY	Un	SA/SNA
0	WF8804DPA1_XEO	SET				
1		FRAME & COVER PARTS	Refer to 5.2 Frame & Cover Parts	1		
2	DC96-01533E	ASSY PUMP DRAIN	HEBA,WF8802DP,50HZ,(220V/50HZ),HAN YU/AIR	1	PC	SNA
3	DC97-16454A	ASSY FRAME FRONT	HEBA-PJT,WF8804DPA/XEO,WHITE	1	PC	SA
4		PANEL-CONTROL & DRAWER	Referto5.4Control&Drawer	1		
5	DC92-00119J	ASSY PCB MAIN	HEBA-BEST(WF8804DP),MF-HWK4DPC-00,230V/50HZ,-,GRAPHIC/1888/LED,8KG/1400/AG/WS/AW/52MM	1	PC	SA
6	DC97-14654A	ASSY HOUSING DRAWER	WF8804DP,HEBA-PJT/,-,-,-,AG+	1	PC	SA
7	DC90-04758A	ASSY TUB&DRUM	Heba-PJT,WF8804DPA1/XEO	1	PC	SNA
8	DC97-14537A	ASSY AIR WASH	WF8804DP,AIRWASH,MOTOR+PTCHEATER,-,-,-	1	PC	SA
9	DC60-40146A	BOLT-SPANER	-,CR,-,T2.5,OD36,-,-,-,-	1	PC	SA
10	DC67-00307A	CAP-FIXER	WF438AAC/XAA,PP,T1.5,Φ33,-,WHT,PURPLE-PJT	4	PC	SA
11	DC62-00079A	HOSE-WATER	P1405J,PVC+NYLON,-,-,-,L1500,GRY,ACQUA-STOP	1	PC	SA
13	DC62-10278A	HOSE-HANGER	PP,NTR,JS20RESIN	1	PC	SNA
14	DC67-00208A	CAP-FIXER	J1453GW/XEU,PP,T1.5,NTR	1	PC	SA

MODEL CODE: WF8700LSV1/YAH

Service Bom (SA: SERVICE AVAILABLE, SNA: SERVICE NOT AVAILABLE)

Drawing No.	Code No.	Description	Specification	QTY	Un	SA/SNA
0	WF8700LSV1_YAH	SET				
1		FRAME & COVER PARTS	Refer to 5.2 Frame & Cover Parts	1		
2	DC96-01533B	ASSY PUMP DRAIN	HEBA-PJT,WF8802,NOAIRVENT,220~240V/50Hz	1	PC	SNA
3	DC97-16454A	ASSY FRAME FRONT	HEBA-PJT,WF8804DPA/XEO,WHITE	1	PC	SA
4		PANEL-CONTROL & DRAWER	Refer to 5.4 Control & Drawer	1		
5	DC92-00131B	ASSY PCB MAIN	HEBA-BETTER(WF8700LS,MF-HWJ0LSC-00,-,230V/50HZ,7KG/1000RPM//NOOPTI,LED	1	PC	SA
6	DC97-14654B	ASSY HOUSING DRAWER	WF8804DP,HEBA-PJT/COLD,-,-,-,-	1	PC	SA
7	DC90-05275A	ASSY TUB&DRUM	HEBA AUSTRALIA 7.5KG,WF8750LSW1/XSA	1	PC	SNA
9	DC60-40146A	BOLT-SPANER	-,CR,-,T2.5,OD36,-,-,-,-	1	PC	SA
10	DC67-00307A	CAP-FIXER	WF438AAC/XAA,PP,T1.5,Φ33,-,WHT,PURPLE-PJT	4	PC	SA
12	DC62-10289C	HOSE-WATER(C)	RUSSIA,PVC+NYLON,ID10.3,-,-,L1500,GRY,COLD/LOCAL	1	PC	SA
13	DC62-10278A	HOSE-HANGER	PP,NTR,JS20RESIN	1	PC	SNA
14	DC67-00208A	CAP-FIXER	J1453GW/XEU,PP,T1.5,NTR	1	PC	SA

5-2. FRAME & COVER PARTS



MODEL CODE: WF8802DPF1/XET

Service Bom (SA: SERVICE AVAILABLE, SNA: SERVICE NOT AVAILABLE)

Drawing No.	Code No.	Description	Specification	QTY	Un	SA/SNA
0		FRAME & COVER PARTS	Refer to 5.2 Frame & Cover Parts	1		
1	DC63-00862B	COVER-BACK	WF8600NMW,GI,T0.4,W352,L490,-,-,NATURAL,-	1	PC	SA
2	DC97-14953A	ASSY COVER TOP	HEBA-PJT,-,WOOD+ALFOIL+URETHANE,9.2(WOOD)/T0.35(ALFOIL),150X200(ALFOIL),-	1	PC	SA
3	DC97-14653C	ASSY FIXER TUB	SCOUT,WF0804Y8E/XEF	4	PC	SA
4	DC29-00005A	FILTER-EMI	FA-2151T-1,P/PV-PJT,250V,15A,D38*51(+BOLT,NUT),-,-,VDE,-,-	1	PC	SA
5	DC97-16466A	ASSY FRAME PLATE(U)	HEBA-SSEC PJT,WF8804HPA/XEH,GI,T1.2,NTR	1	PC	SA
6	DC61-02029A	SPRING ETC-HANGER	HEBA,HSWR,CD3.5,ID24.8,OD26,L153,TURNS183/4,-,BLK,-,-	2	PC	SA
7	DC96-01533B	ASSY PUMP DRAIN	HEBA-PJT,WF8802,NOAIRVENT,220~240V/50Hz	1	PC	SNA
7-1	DC31-00030A	PUMP-DRAIN	B20-6,220V,50Hz,-,HANYU	1	PC	SA
7-2	DC61-01951A	CASE-PUMP	WF8804DP,PP,T2.5,W128,L108,-,-	1	PC	SA
7-3	DC63-00830A	COVER-PUMP	COVER-PUMP,PP,T2.1,W60.5,L75,5VAGRADE,WHT	1	PC	SNA
7-4	DC63-00905A	CUSHION-PUMP	WF8802DPF/XET,NBR,-,W37.6,L11.6,BLK,-	1	PC	SNA
7-5	DC63-10003C	SPONGE-HOSE AIR	POL,GRY,SWF-P12,HB22-GREY,	1	PC	SNA
7-6	DC67-00244A	HOSE-DRAIN	HOSE-DRAIN,EPDM,ID6,OD11,T2.5,L200,BLK,-	1	PC	SA
7-7	DC69-01128A	PACKING-PUMP	WF8804DP,RUB-OTH,BUTYL,T2.5,W74,L74,11.6,BLK,10.8g,-,-,-,HEBA-PJT	1	PC	SNA
7-8	DC97-14278A	ASSY FILTER	HEBA-PJT,ASSY-FILTER,-,-	1	PC	SA
7-8-1	DC63-00865A	FILTER-PUMP	WF8804DP,PP,T1.7,W53,L66.95,-,-	1	PC	SNA
7-8-2	DC64-01317A	HANDLE-FILTER	HANDLE-FILTER,PP,T2.5,W55,L35,-,BLK,-	1	PC	SNA
7-8-3	DC73-00022A	RUBBER-PACKING	SEW-HVR149ATA,EPDM,-,40,-,BLK,-,-,-,-	1	PC	SNA
7-10	DD65-00001F	CLAMPER HOSE	SDW-H120,STEEL,-,D10.5/T1.2,-,-	1	PC	SNA
8	DC96-01703A	ASSY SENSOR PRESSURE	AEGIS-PJT,-,-,DRUM/PCBTYPE,-,-	1	PC	SA
9	DC97-16438B	ASSY FRAME	HEBA-SSEC PJT,WF8802RPV1/YKJ/1200RPM,PCM(GI),T0.8,W598.4*H792.4*D546,DA-WHITE	1	PC	SA
9-1	DC61-02939A	FRAME	HEBA-SSEC,GI-SGCC,NTR,T0.8,W598.4,L792,7KG	1	PC	SNA
9-2	DC61-02065A	GUIDE-SPRING	WF448AAG/XXA,POM,T4,W24,L25.5,WHT,-	1	PC	SNA
9-3	DC61-02065A	GUIDE-SPRING	WF448AAG/XXA,POM,T4,W24,L25.5,WHT,-	1	PC	SNA
10	DC61-10673A	CAP-DRAIN	SWF-P12,PP(TB53),-,-,-,WHT,-,	1	PC	SNA
11	DC96-00146A	ASSY POWER CORD	UCP2,250V/16A,-,1500/EUROPE	1	PC	SA
12	DC97-00920C	ASSY LEG	SEW-HW108,-,-,-,-,-	4	PC	SA
12-1				1	PC	
13	DC97-02250Z	ASSY HOSE DRAIN(O)	COMBO-PJT,L1920,OD25,WHT	1	PC	SA

MODEL CODE: WF8802DPF1/XETService Bom (**SA**: SERVICE AVAILABLE, **SNA**: SERVICE NOT AVAILABLE)

Drawing No.	Code No.	Description	Specification	QTY	Un	SA/SNA
13-1	DC62-10022G	HOSE-PUMP	SWF-P12,PP,ID21,OD26,-,L2200,WHT,-	1	PC	SNA
15	DC93-00229B	ASSY M.GUIDE WIRE HARNESS	HEBA-PJT,SSEC,AG,AIR WASH	1	PC	SA
15-1	DC93-00228B	ASSY M. WIRE HARNESS	HEBA-PJT,AIR WASH/AG+,SSEC	1	PC	SNA
16	DC92-00174A	ASSY PCB SUB	HEBA-PJT,MES-AG3MOD-S3,SPONGE,-,-,3AG-KIT	1	PC	SA
17	DC64-01757A	SHUTTER	HEBA-PJT,PP,T3.0,-,-,WHT,7kg/DANPLA/MAIN	1	PC	SA
18	DC61-00274A	GUIDE-HOSE	P/PV/M,PP,-,-,WHT,FRAME/DRAIN-HOSE	1	PC	SNA

MODEL CODE: WF8804DPA1/XEO

Service Bom (SA: SERVICE AVAILABLE, SNA: SERVICE NOT AVAILABLE)

Drawing No.	Code No.	Description	Specification	QTY	Un	SA/SNA
0		FRAME & COVER PARTS	Refer to 5.2 Frame & Cover Parts	1		
1	DC63-00862B	COVER-BACK	WF8600NMW,GI,T0.4,W352,L490,-,-,NATURAL,-	1	PC	SA
2	DC97-14953A	ASSY COVER TOP	HEBA-PJT,-,WOOD+ALFOIL+URETHANE,9.2(WOOD)/T0.35(ALFOIL),150X200(ALFOIL),-	1	PC	SA
3	DC97-14653C	ASSY FIXER TUB	SCOUT,WF0804Y8E/XEF	4	PC	SA
4	DC29-00005A	FILTER-EMI	FA-2151T-1,P/PV-PJT,250V,15A,D38*51(+BOLT,NUT),-,-,VDE,-,-	1	PC	SA
5	DC97-16466A	ASSY FRAME PLATE(U)	HEBA-SSEC PJT,WF8804HPA/XEH,GI,T1.2,NTR	1	PC	SA
6	DC61-02029A	SPRING ETC-HANGER	HEBA,HSWR,CD3.5,ID24.8,OD26,L153,TURNS183/4,-,BLK,-,-	2	PC	SA
7	DC96-01533E	ASSY PUMP DRAIN	HEBA,WF8802DP,50HZ,(220V/50HZ),HANYU/AIR	1	PC	SNA
7-1	DC31-00030A	PUMP-DRAIN	B20-6,220V,50Hz,-,HANYU	1	PC	SA
7-2	DC61-01951B	CASE-PUMP	WF8802DPF,PP,T2.5,W128,L108,-,HOSE-AIR	1	PC	SNA
7-3	DC63-00830A	COVER-PUMP	COVER-PUMP,PP,T2.1,W60.5,L75,5VAGRADE,WHT	1	PC	SNA
7-4	DC63-00905A	CUSHION-PUMP	WF8802DPF/XET,NBR,-,W37.6,L11.6,BLK,-	1	PC	SNA
7-5	DC63-10003C	SPONGE-HOSE AIR	POL,GRY,SWF-P12,HB22-GREY,	1	PC	SNA
7-6	DC67-00244A	HOSE-DRAIN	HOSE-DRAIN,EPDM,ID6,OD11,T2.5,L200,BLK,-	1	PC	SA
7-7	DC69-01128A	PACKING-PUMP	WF8804DP,RUB-OTH,BUTYL,T2.5,W74,L74,11.6,BLK,10.8g,-,-,-,HEBA-PJT	1	PC	SNA
7-8	DC97-14278A	ASSY FILTER	HEBA-PJT,ASSY-FILTER,-,-	1	PC	SA
7-8-1	DC63-00865A	FILTER-PUMP	WF8804DP,PP,T1.7,W53,L66.95,-,-	1	PC	SNA
7-8-2	DC64-01317A	HANDLE-FILTER	HANDLE-FILTER,PP,T2.5,W55,L35,-,BLK,-	1	PC	SNA
7-8-3	DC73-00022A	RUBBER-PACKING	SEW-HVR149ATA,EPDM,-,40,-,BLK,-,-,-,-	1	PC	SNA
7-9	DC97-15532B	ASSY HOSE PUMP	HEBA,WF8804ASV,OD14.5/OD15.5,BLK	1	PC	SA
7-9-1	DC63-10002D	SPONGE-HARNESS	PU-FOAM,T10,W100,L80,BLK	1	PC	SNA
7-9-2	DC65-00008A	CLAMPER HOSE	SEW-DR605,SK5,-,-,YEL,ID14.2/T0.9	1	PC	SNA
7-9-3	DC65-00022A	CLAMPER HOSE-JOINT	HEBA-PJT,HSWR,-,ID17.5,WHT,HOSE-AIRPUMP+TUB	1	PC	SNA
7-9-4	DC67-00377B	HOSE-AIR PUMP	HEBA-PJT,EPDM,ID9.0,OD15.5,BLK,HEBAHOSE-AIR	1	PC	SNA
7-10	DD65-00001F	CLAMPER HOSE	SDW-H120,STEEL,-,D10.5/T1.2,-,-	1	PC	SNA
8	DC96-01703A	ASSY SENSOR PRESSURE	AEGIS-PJT,-,-,DRUM/PCBTYPE,-,-	1	PC	SA
9	DC97-16438A	ASSY FRAME	HEBA-SSEC PJT,WF8804HPA/XEH,PCM(GI),T1.0,W598.4*H792.4*D546,DA-WHITE	1	PC	SA
9-1	DC61-02938A	FRAME	HEBA-SSEC,GI-SGCC,NTR,T1.0,W598.4,L792.4,8KG	1	PC	SNA
9-2	DC61-02065A	GUIDE-SPRING	WF448AAG/XXA,POM,T4,W24,L25.5,WHT,-	1	PC	SNA
9-3	DC61-02065A	GUIDE-SPRING	WF448AAG/XXA,POM,T4,W24,L25.5,WHT,-	1	PC	SNA

MODEL CODE: WF8804DPA1/XEOService Bom (**SA**: SERVICE AVAILABLE, **SNA**: SERVICE NOT AVAILABLE)

Drawing No.	Code No.	Description	Specification	QTY	Un	SA/SNA
10	DC61-10673A	CAP-DRAIN	SWF-P12,PP(TB53),-,-, WHT,-,	1	PC	SNA
11	DC96-00146A	ASSY POWER CORD	UCP2,250V/16A,-,1500/EUROPE	1	PC	SA
12	DC97-00920C	ASSY LEG	SEW-HW108,-,-,-,-	4	PC	SA
12-1				1	PC	SA
13	DC97-02250Z	ASSY HOSE DRAIN(O)	COMBO-PJT,L1920,OD25,WHT	1	PC	SA
13-1	DC62-10022G	HOSE-PUMP	SWF-P12,PP,ID21,OD26,-,L2200,WHT,-	1	PC	SNA
14	DC97-16443A	ASSY COVER BOTTOM	HEBA-SSEC PJT,WF8804HPA/XEH,GI T0.8,T0.8,NTR	1	PC	SNA
14-1	6002-000239	SCREW-TAPPING	TH,+,-,2S,M4,L8,ZPC(WHT),SWRCH18A,-	2	PC	SNA
14-2	DC63-01280A	COVER-BOTTOM	HABA-SSEC,GI-SGCC,T0.5,W422,L540.7,NTR	1	PC	SNA
14-3	DC96-01610A	ASSY SENSOR POLE	HEBA/AegisPJT,-,-,-	1	PC	SNA
15	DC93-00229A	ASSY M.GUIDE WIRE HARNESS	HEBA-PJT,SSEC,LEAKAGE SENSOR,AG,AIR WASH	1	PC	SA
15-1	DC93-00228A	ASSY M. WIRE HARNESS	HEBA-PJT,AIR WASH/AG+,WATER SAFETY,SSEC	1	PC	SNA
16	DC92-00174A	ASSY PCB SUB	HEBA-PJT,MES-AG3MOD-S3,SPONGE,-,-,3AG-KIT	1	PC	SA
18	DC61-00274A	GUIDE-HOSE	P/PV/M,PP,-,-,-,WHT,FRAME/DRAIN-HOSE	1	PC	SNA

MODEL CODE: WF8700LSV1YAH

Service Bom (SA: SERVICE AVAILABLE, SNA: SERVICE NOT AVAILABLE)

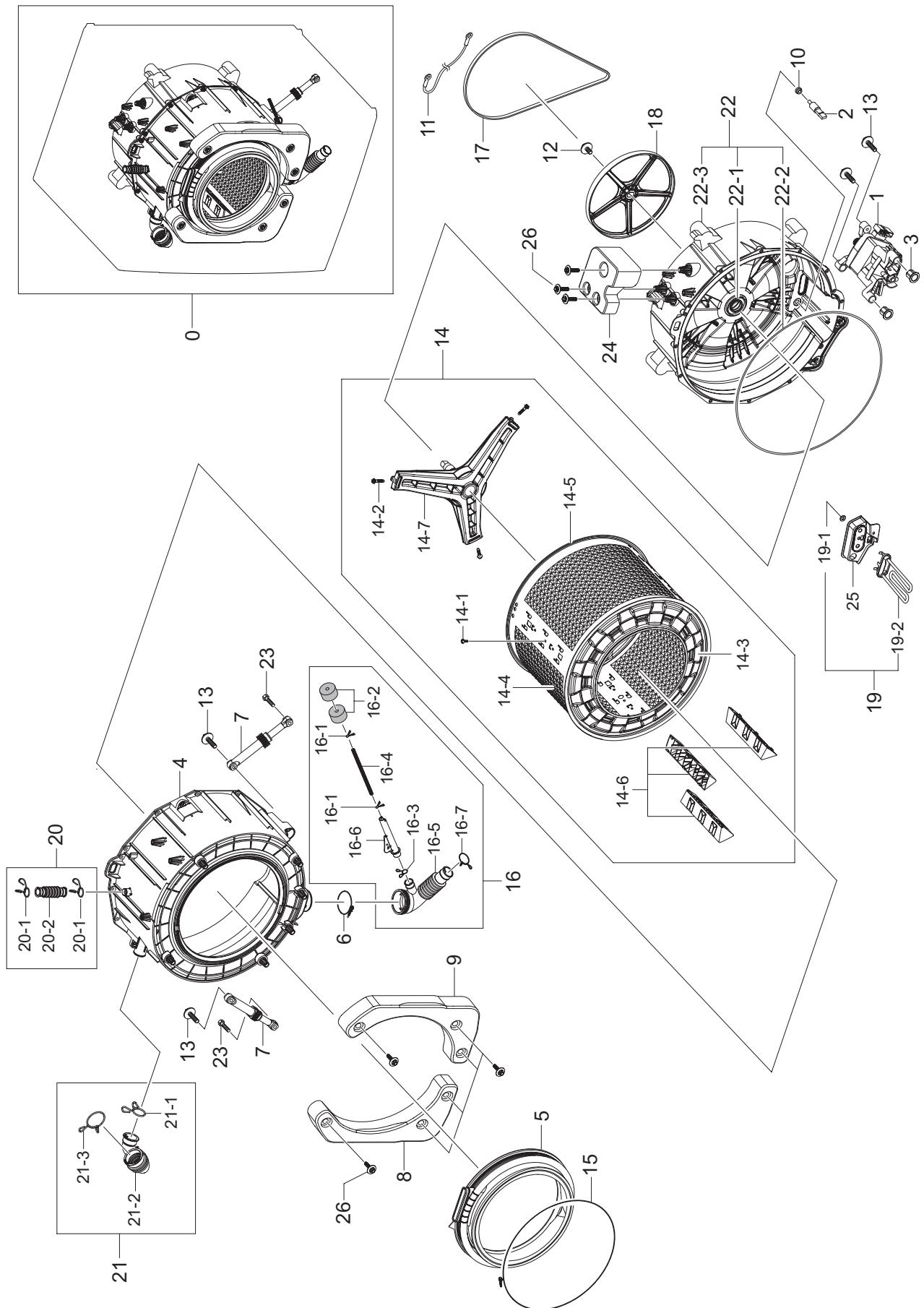
Drawing No.	Code No.	Description	Specification	QTY	Un	SA/SNA
0		FRAME & COVER PARTS	Refer to 5.2 Frame & Cover Parts	1		
1	DC63-00862B	COVER-BACK	WF8600NMW,GI,T0.4,W352,L490,-,-,NATURAL,-	1	PC	SA
2	DC97-14953A	ASSY COVER TOP	HEBA-PJT,-,WOOD+ALFOIL+URETHANE,9.2(WOOD)/T0.35(ALFOIL),150X200(ALFOIL),-	1	PC	SA
3	DC97-14794C	ASSY FIXER TUB	SCOUT,WF0704L7W/XEF	4	PC	SA
4	DC29-00005A	FILTER-EMI	FA-2151T-1,P/PV-PJT,250V,15A,D38*51(+BOLT,NUT),-,-,VDE,-,-	1	PC	SA
5	DC97-16466A	ASSY FRAME PLATE(U)	HEBA-SSEC PJT,WF8804HPA/XEH,GI,T1.2,NTR	1	PC	SA
6	DC61-02029B	SPRING ETC-HANGER	HEBA7kg,HSWR,CD3.5,ID24.8,OD26,L159,TURNS183/4,WHITE	2	PC	SA
7	DC96-01533B	ASSY PUMP DRAIN	HEBA-PJT,WF8802,NOAIRVENT,220~240V/50Hz	1	PC	SNA
7-1	DC31-00030A	PUMP-DRAIN	B20-6,220V,50Hz,-,HANYU	1	PC	SA
7-2	DC61-01951A	CASE-PUMP	WF8804DP,PP,T2.5,W128,L108,-,-	1	PC	SA
7-3	DC63-00830A	COVER-PUMP	COVER-PUMP,PP,T2.1,W60.5,L75,5VAGRADE,WHT	1	PC	SNA
7-4	DC63-00905A	CUSHION-PUMP	WF8802DPF/XET,NBR,-,W37.6,L11.6,BLK,-	1	PC	SNA
7-5	DC63-10003C	SPONGE-HOSE AIR	POL,GRY,SWF-P12,HB22-GREY,	1	PC	SNA
7-6	DC67-00244A	HOSE-DRAIN	HOSE-DRAIN,EPDM,ID6,OD11,T2.5,L200,BLK,-	1	PC	SA
7-7	DC69-01128A	PACKING-PUMP	WF8804DP,RUB-OTH,BUTYL,T2.5,W74,L74,11.6,BLK,10.8g,-,-,-,HEBA-PJT	1	PC	SNA
7-8	DC97-14278A	ASSY FILTER	HEBA-PJT,ASSY-FILTER,-,-	1	PC	SA
7-8-1	DC63-00865A	FILTER-PUMP	WF8804DP,PP,T1.7,W53,L66.95,-,-	1	PC	SNA
7-8-2	DC64-01317A	HANDLE-FILTER	HANDLE-FILTER,PP,T2.5,W55,L35,-,BLK,-	1	PC	SNA
7-8-3	DC73-00022A	RUBBER-PACKING	SEW-HVR149ATA,EPDM,-,40,-,BLK,-,-,-,-	1	PC	SNA
7-10	DD65-00001F	CLAMPER HOSE	SDW-H120,STEEL,-,D10.5/T1.2,-,-	1	PC	SNA
8	DC96-01703A	ASSY SENSOR PRESSURE	AEGIS-PJT,-,-,DRUM/PCBTYPE,-,-	1	PC	SA
9	DC97-16439A	ASSY FRAME	HEBA-SSEC PJT,WF8704RSW/XEU,PCM(GI),T0.8,W598.4*H792*D546,DA-WHITE	1	PC	SA
9-1	DC61-02939A	FRAME	HEBA-SSEC,GI-SGCC,NTR,T0.8,W598.4,L792,7KG	1	PC	SNA
9-2	DC61-02065A	GUIDE-SPRING	WF448AAG/XXA,POM,T4,W24,L25.5,WHT,-	1	PC	SNA
9-3	DC61-02065A	GUIDE-SPRING	WF448AAG/XXA,POM,T4,W24,L25.5,WHT,-	1	PC	SNA
10	DC61-10673A	CAP-DRAIN	SWF-P12,PP(TB53),-,-,-,WHT,-,	1	PC	SNA
11	DC96-00146A	ASSY POWER CORD	UCP2,250V/16A,-,1500/EUROPE	1	PC	SA
12	DC97-00920C	ASSY LEG	SEW-HW108,-,-,-,-,-	4	PC	SA
12-1				1	PC	SA
13	DC97-02250Z	ASSY HOSE DRAIN(O)	COMBO-PJT,L1920,OD25,WHT	1	PC	SA
13-1	DC62-10022G	HOSE-PUMP	SWF-P12,PP,ID21,OD26,-,L2200,WHT,-	1	PC	SNA

MODEL CODE: WF8700LSV1/YAHService Bom (**SA**: SERVICE AVAILABLE, **SNA**: SERVICE NOT AVAILABLE)

Drawing No.	Code No.	Description	Specification	QTY	Un	SA/SNA
15	DC93-00229G	ASSY M.GUIDE WIRE HARNESS	HEBA-PRJ,SSEC,-,-,-,-	1	PC	SA
15-1	DC93-00228G	ASSY M. WIRE HARNESS	HEBA-PRJ,SSEC,-,NO Option,-,-	1	PC	SNA
17	DC64-01757A	SHUTTER	HEBA-PJT,PP,T3.0,-,-,WHT,7kg/DANPLA/MAIN	1	PC	SA
18	DC61-00274A	GUIDE-HOSE	P/PV/M,PP,-,-,-,WHT,FRAME/DRAIN-HOSE	1	PC	SNA

MEMO

5-3. ASS'Y TUB DRUM



MODEL CODE: WF8802DPF1/XET

Service Bom (SA: SERVICE AVAILABLE, SNA: SERVICE NOT AVAILABLE)

Drawing No.	Code No.	Description	Specification	QTY	Un	SA/SNA
0	DC90-05174A	ASSY TUB&DRUM	HEBA ITALY 8.0KG,WHT WF8802DPF1/XET	1	PC	SNA
1	DC31-00002M	MOTOR UNIVERSAL-DRUM	MCC52/64-148/SEC4,1400,230V,2.5A,50Hz,430W, Heba,16800,2.1A,F,52	1	PC	SA
2	DC32-00010B	THERMISTOR	NTSF0123XZ004,R=3.243K \pm 2%(at 60),20 ? /K(In water), -10 \square ~ 100 \square ,-,5,-,5,-	1	PC	SNA
3	DC61-02549A	BUSH-MOTOR	HEBA BIGBANG,NYLON,ID16,OD19,L23,T1.5	2	PC	SNA
4	DC61-01932A	TUB-FRONT	HEBAPJT,FRPP-GF15%,ID528,OD575,NTR,8KG	1	PC	SNA
5	DC64-01537A	DOOR-DIAPHRAGM	HEBA-PJT,EPDM,T2.0,-,-,-,GRY,COMI	1	PC	SNA
6	DC65-00021A	CLAMPER HOSE-JOINT	HEBAPJT,HSWR,-,ID74/OD78,WHT,-	1	PC	SNA
7	DC66-00421B	DAMPER-SHOCK	HEBA-SSEC PJT,PP,L215,80N	2	PC	SNA
8	DC67-00434A	WEIGHT-BALANCER(F/L)	WD8704DJF,CONCRETE,T45,W243,L475,RED, 6500g	1	PC	SA
9	DC67-00433A	WEIGHT-BALANCER(F/R)	WD8704DJF,CONCRETE,T45,W243,L475,RED, 6500g	1	PC	SA
10	DC69-00824A	PACKING-THERMISTOR	GW-PJT,EPDM,EPDM,-,W17,-,H11,BLACK,1.25g,-,-,-,-	1	PC	SNA
11	DC93-00015A	ASSY WIRE EARTH	AEGIS,5KG,230V/50HZ,EARTH WIRE,AEGIS,-	1	PC	SA
12	DC97-06080A	ASSY BOLT	SEW-3HR107,BOLT+WASHER,-,-,-,-	1	PC	SNA
13	DC97-14263A	ASSY BOLT	HEBA-PJT,MOTOR/ BOLT(M8)+WASHER(OD28.6),-,-,-,-	2	PC	SA
13	DC97-14263A	ASSY BOLT	HEBA-PJT,MOTOR/ BOLT(M8)+WASHER(OD28.6),-,-,-,-	2	PC	SA
14	DC97-14371F	ASSY DRUM	SSEC HEBA,WF8802DPA,8KG,1200rpm	1	PC	SNA
14-1	6002-001006	SCREW-TAPPING	TH,+,-,2S,M4,L12,PASS,STS430,-	3	PC	SNA
14-2	DC60-40137A	BOLT-HEX	MARS-PJT,STS430,M8,-,P1.25,L30,-,-,HEX/ KNURING	3	PC	SA
14-3	DC66-00489B	DRUM-FRONT	HEBAPJT(8kg),STS430,ID492,OD492.4,-,-,T0.5	1	PC	SNA
14-4	DC66-00491A	DRUM-WRAPPER	HEBAPJT/8.0kg,STS430,ID492,OD492.4,L371.2,- ,CUBEDRUM/T0.5	1	PC	SNA
14-5	DC66-00492A	DRUM-BACK	HEBAPJT,STS430,ID492,OD492.4,T0.5	1	PC	SNA
14-6	DC66-00493A	DRUM-LIFTER	HEBAPJT,PP-TI42,-,-,L246,NTR,7/8KG	3	PC	SA
14-7	DC97-14370D	ASSY FLANGE SHAFT	SSEC HEBA,WF8802DPA,1200rpm	1	PC	SA
15	DC91-12077G	ASSY CLAMP DIAPHRAGM	AEGIS,WF8500NHW/YLP,-,72A/ZPC2-YEL,-,-	1	PC	SNA
16	DC97-14637A	ASSY HOSE PRESSURE	HEBAPJT,-,-,-,-,-	1	PC	SA
16-1	DC61-70029C	SPRING-CLIP	SEW-HW125,HSWR67,CD1.2,ID8.5,OD10.9,-,-,- ,WHT,-,-	1	PC	SNA
16-1	DC61-70029C	SPRING-CLIP	SEW-HW125,HSWR67,CD1.2,ID8.5,OD10.9,-,-,- ,WHT,-,-	1	PC	SNA
16-2	DC63-10003C	SPONGE-HOSE AIR	POL,GRY,SWF-P12,HB22-GREY,	2	PC	SNA
16-3	DC65-60125B	BAND-RING	-,HSWR,T2.4,PI25,-,-,YEL,-	1	PC	SNA
16-4	DC67-00230B	HOSE-WATER	WF8800,TPE,ID4.5,OD8.0,T1.75,L725,BLK,HE BA-PJT	1	PC	SA
16-5	DC67-00293A	HOSE-FILTER TUB	HEBA-PJT,EPDM,-,-,T2.5,-,BLK,-	1	PC	SA
16-6	DC67-00297A	HOSE-JOINT AIR	HEBA-PJT,PP,ID22,OD26,T2.0,L150,NTR,-	1	PC	SNA
16-7	DC72-00001H	BAND-RING	HEBA-PJT,HSWR,PI3.0,ID35,-,WHT,HOSE- FILTER+PUMP-CASE	1	PC	SNA
17	6602-001497	BELT-TIMING GEAR	-,RUBBER(GATES),T3.4,-,1270-5J,BLK	1	PC	SA
18	DC66-00530A	PULLEY-MOTOR	HEBA-PJT,ALDC12,-,-,-,OD296.8,-,6-WING	1	PC	SNA
19	DC47-00033B	HEATER-WASH	HEBA,SUS316L,2000.8.69,230V,26.46,8.5mm,220 mm,Double Fuse (167C, Cut Off Time 70+-20s)	1	PC	SA
19-1		WASHER-PLAIN		1	PC	
19-2		HEATER-WASH		1	PC	
20		ASSY HOSE AIR		1	PC	

MODEL CODE: WF8802DPF1/XET

Service Bom (SA: SERVICE AVAILABLE, SNA: SERVICE NOT AVAILABLE)

Drawing No.	Code No.	Description	Specification	QTY	Un	SA/SNA
20-1	DC65-60118J	BAND-RING	-,HSWR,-,-,-,WHT,PI2.0/ID23	2	PC	SNA
20-2	DC67-00298A	HOSE-AIR	HEBAPJT,EPDM,-,-,T2.5,-,BLK,-	1	PC	SA
21		ASSY HOSE DRAWER		1	PC	
21-1	DC65-60118R	CLAMPER HOSE	AEGIS-PJT,HSWR,T3.0,ID36.5,-,WHT,-	1	PC	SA
21-2	DC67-00422A	HOSE-DRAWER TUB	HEBA-PJT,EPDM,ID42.5,OD46.5,T2.0,BLK	1	PC	SA
21-3	DC72-00001G	BAND-RING	HEBA-PJT,HSWR,PI3.0,W21.5,ID49.5,WHT,HOSE-DRAWER + TUB-FRONT	1	PC	SNA
22	DC97-16462B	ASSY SEMI TUB BACK	Heba PJT,WF8802SPG1/XSP,7.0KG and 8KG,PP GF30%,(220/50HZ)/PUMP,220V~50Hz	1	PC	SA
22-1	DC62-00008A	SEAL-OIL	-,NBR(SD35),BLK,-,-,-,NBU(PI15)	1	PC	SNA
22-2	DC69-01154A	PACKING-TUB	WF8804DP,EPDM,EPDM,T5.0,-,L1650,-,BLK,20g,-,-,-,-	1	PC	SNA
22-3	DC61-01934C	TUB-BACK	Heba,FRPP,ID521.8,OD526.4,NTR,1400RPM	1	PC	SNA
23	DC60-40144A	BOLT-HEX	SM10C,L41,ZPC2(YEL),M10,ZPC2(YEL),DAMP ER	2	PC	SA
24	DC67-00296A	WEIGHT-BALANCER(U)	HEBA-PJT,CONCRETE,-,W157.8,L162.6,NTR,5KG/UPPER	1	PC	SA
25	DC63-00889C	COVER-HEATER	SEW-100 JL,PVC,T2.0,-,-	1	PC	SNA
26	6011-003934	ASSY BOLT	M7.6,L48,ZPC(WHT),SCM 435,WASHER	3	PC	SNA
26	6011-003934	ASSY BOLT	M7.6,L48,ZPC(WHT),SCM 435,WASHER	6	PC	SNA

MODEL CODE: WF8804DPA1/XEO

Service Bom (SA: SERVICE AVAILABLE, SNA: SERVICE NOT AVAILABLE)

Drawing No.	Code No.	Description	Specification	QTY	Un	SA/SNA
0	DC90-04758A	ASSY TUB&DRUM	Heba-PJT,WF8804DPA1/XEO	1	PC	SNA
1	DC31-00002T	MOTOR UNIVERSAL-DRUM	MCC 52/64-148/SEC11,1400,-,220-240,2.5A,-,50,430W,Heba1400,-,16800,2.1A,-,F,60	1	PC	SA
2	DC32-00010B	THERMISTOR	NTSF0123XZ004,R=3.243K?±2%(at 60),20?/K(In water), -10□ ~ 100□,-,5,-,5,-	1	PC	SNA
3	DC61-01088A	BUSH-MOTOR	Q1636,NYLON6,ID16,OD20,L21.5,NTR,-	2	PC	SNA
4	DC61-01932B	TUB-FRONT	HEBA PJT,FRPP-GF15%,ID528,OD575,NTR,8KG/AIR-HOLE	1	PC	SNA
5	DC64-01537A	DOOR-DIAPHRAGM	HEBA-PJT,EPDM,T2.0,-,-,-,GRY,COMI	1	PC	SNA
6	DC65-00021A	CLAMPER HOSE-JOINT	HEBAPJT,HSWR,-,ID74/OD78,WHT,-	1	PC	SNA
7	DC66-00421B	DAMPER-SHOCK	HEBA-SSEC PJT,PP,L215,80N	2	PC	SNA
8	DC67-00434A	WEIGHT-BALANCER(F/L)	WD8704DJF,CONCRETE,T45,W243,L475,RED,6500g	1	PC	SA
9	DC67-00433A	WEIGHT-BALANCER(F/R)	WD8704DJF,CONCRETE,T45,W243,L475,RED,6500g	1	PC	SA
10	DC69-00824A	PACKING-THERMISTOR	GW-PJT,EPDM,EPDM,-,W17,-,H11,BLACK,1.25g,-,-,-,-	1	PC	SNA
11	DC93-00015A	ASSY WIRE EARTH	AEGIS,5KG,230V/50HZ,EARTH WIRE,AEGIS,-	1	PC	SA
12	DC97-06080A	ASSY BOLT	SEW-3HR107,BOLT+WASHER,-,-,-,-	1	PC	SNA
13	DC97-14263A	ASSY BOLT	HEBA-PJT,MOTOR/BOLT(M8)+WASHER(OD28.6),-,-,-,-	2	PC	SA
13	DC97-14263A	ASSY BOLT	HEBA-PJT,MOTOR/BOLT(M8)+WASHER(OD28.6),-,-,-,-	2	PC	SA
14	DC97-14371E	ASSY DRUM	SSEC HEBA,WF8804DPA,8KG,1400rpm	1	PC	SA
14-1	6002-001006	SCREW-TAPPING	TH,+,-,2S,M4,L12,PASS,STS430,-	3	PC	SNA
14-2	DC60-40137A	BOLT-HEX	MARS-PJT,STS430,M8,-,P1.25,L30,-,-,HEX/KNURING	3	PC	SA
14-3	DC66-00489B	DRUM-FRONT	HEBAPJT(8kg),STS430,ID492,OD492.4,-,-,T0.5	1	PC	SNA
14-4	DC66-00491A	DRUM-WRAPPER	HEBAPJT/8.0kg,STS430,ID492,OD492.4,L371.2,-,CUBEDRUM/T0.5	1	PC	SNA
14-5	DC66-00492A	DRUM-BACK	HEBAPJT,STS430,ID492,OD492.4,T0.5	1	PC	SNA
14-6	DC66-00493A	DRUM-LIFTER	HEBAPJT,PP-TI42,-,-,L246,NTR,7/8KG	3	PC	SA
14-7	DC97-14369D	ASSY FLANGE SHAFT	SSEC Heba,WF8804DPA,1400	1	PC	SNA
15	DC91-12077G	ASSY CLAMP DIAPHRAGM	AEGIS,WF8500NHW/YLP,-,72A/ZPC2-YEL,-,-	1	PC	SNA
16	DC97-14637A	ASSY HOSE PRESSURE	HEBAPJT,-,-,-,-	1	PC	SA
16-1	DC61-70029C	SPRING-CLIP	SEW-HW125,HSWR67,CD1.2,ID8.5,OD10.9,-,-,-,WHT,-,-	1	PC	SNA
16-1	DC61-70029C	SPRING-CLIP	SEW-HW125,HSWR67,CD1.2,ID8.5,OD10.9,-,-,-,WHT,-,-	1	PC	SNA
16-2	DC63-10003C	SPONGE-HOSE AIR	POL,GRY,SWF-P12,HB22-GREY,	2	PC	SNA
16-3	DC65-60125B	BAND-RING	-,HSWR,T2.4,PI25,-,YEL,-	1	PC	SNA
16-4	DC67-00230B	HOSE-WATER	WF8800,TPE,ID4.5,OD8.0,T1.75,L725,BLK,HEBA-PJT	1	PC	SA
16-5	DC67-00293A	HOSE-FILTER TUB	HEBA-PJT,EPDM,-,-,T2.5,-,BLK,-	1	PC	SA
16-6	DC67-00297A	HOSE-JOINT AIR	HEBA-PJT,PP,ID22,OD26,T2.0,L150,NTR,-	1	PC	SNA
16-7	DC72-00001H	BAND-RING	HEBA-PJT,HSWR,PI3.0,ID35,-,WHT,HOSE-FILTER+PUMP-CASE	1	PC	SNA

MODEL CODE: WF8804DPA1/XEO

Service Bom (SA: SERVICE AVAILABLE, SNA: SERVICE NOT AVAILABLE)

Drawing No.	Code No.	Description	Specification	QTY	Un	SA/SNA
17	6602-001497	BELT-TIMING GEAR	-,RUBBER(GATES),T3.4,-,1270-5J,BLK	1	PC	SA
18	DC66-00530A	PULLEY-MOTOR	HEBA-PJT,ALDC12,-,-,-,OD296.8,-,6-WING	1	PC	SNA
19	DC47-00033A	HEATER-WASH	HEBA,SUS316L+CERAMIC COATING,2000,8.69,23 0V,26.46,8.5mm,220mm,Double Fuse (167□, Cut Off Time 70±20s)	1	PC	SA
19-1		WASHER-PLAIN		1	PC	
19-2		HEATER-WASH		1	PC	
20		ASSY HOSE AIR		1	PC	
20-1	DC65-60118J	BAND-RING	-,HSWR,-,-,-,WHT,PI2.0/ID23	2	PC	SNA
20-2	DC67-00298A	HOSE-AIR	HEBAPJT,EPDM,-,-,T2.5,-,BLK,-	1	PC	SA
21		ASSY HOSE DRAWER		1	PC	
21-1	DC65-60118R	CLAMPER HOSE	AEGIS-PJT,HSWR,T3.0,ID36.5,-,WHT,-	1	PC	SA
21-2	DC67-00422A	HOSE-DRAWER TUB	HEBA-PJT,EPDM,ID42.5,OD46.5,T2.0,BLK	1	PC	SA
21-3	DC72-00001G	BAND-RING	HEBA-PJT,HSWR,PI3.0,W21.5,ID49.5,WHT,HOSE-DRAWER + TUB-FRONT	1	PC	SNA
22	DC97-16462A	ASSY SEMI TUB BACK	Heba PJT,WF8804DPA1/XEO,8.0KG,PP GF30%,(220/50HZ)/PUMP,220V~50Hz	1	PC	SA
22-1	DC62-00008A	SEAL-OIL	-,NBR(SD35),BLK,-,-,-,NBU(PI15)	1	PC	SNA
22-2	DC69-01154A	PACKING-TUB	WF8804DP,EPDM,EPDM,T5.0,-,L1650,-,BLK,20g,-,-,-	1	PC	SNA
22-3	DC61-01934C	TUB-BACK	Heba,FRPP,ID521.8,OD526.4,NTR,1400RPM	1	PC	SNA
23	DC60-40144A	BOLT-HEX	SM10C,L41,ZPC2(YEL),M10,ZPC2(YEL),DAMPER	2	PC	SA
24	DC67-00296A	WEIGHT-BALANCER(U)	HEBA-PJT,CONCRETE,-,W157.8,L162.6,NTR,5KG/UPPER	1	PC	SA
25	DC63-00889C	COVER-HEATER	SEW-100 JL,PVC,T2.0,-,-	1	PC	SNA
26	6011-003934	ASSY BOLT	M7.6,L48,ZPC(WHT),SCM 435,WASHER	3	PC	SNA
26	6011-003934	ASSY BOLT	M7.6,L48,ZPC(WHT),SCM 435,WASHER	6	PC	SNA

MODEL CODE: WF8700LSV1YAH

Service Bom (SA: SERVICE AVAILABLE, SNA: SERVICE NOT AVAILABLE)

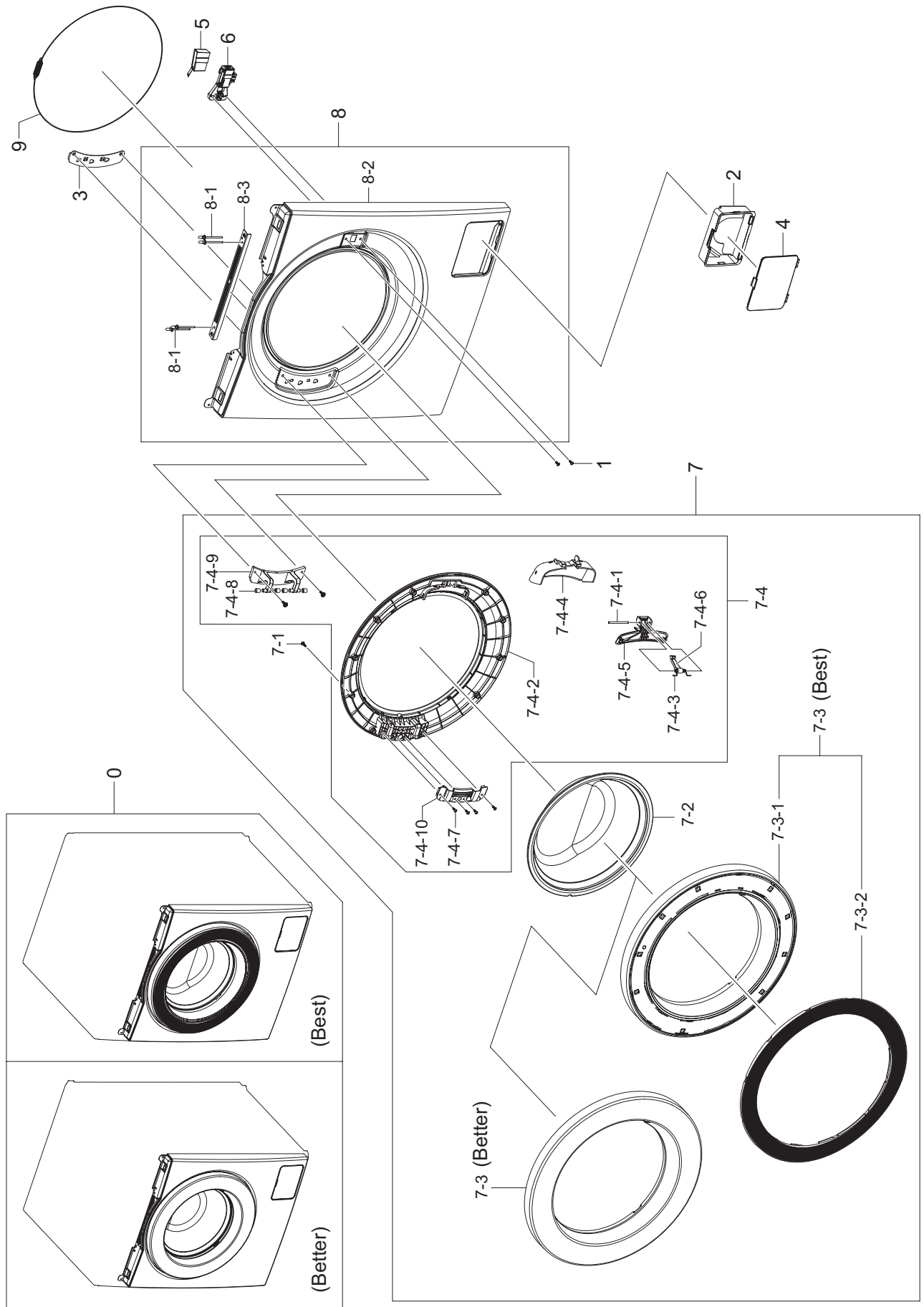
Drawing No.	Code No.	Description	Specification	QTY	Un	SA/SNA
0	DC90-05275A	ASSY TUB&DRUM	HEBA,WF8702LSS/XEFHEBA AUSTRALIA 7.5KG,WF8750LSW1/XSA	1	PC	SNA
1	DC31-00002M	MOTOR UNIVERSAL- DRUM	MCC 52/64-148/SEC4,1400,230V,2.5A,50Hz,430W, Heba,16800,2.1A,F,52	1	PC	SA
2	DC32-00010B	THERMISTOR	NTSF0123XZ004,R=3.243K \pm 2%(at 60),20 $\text{?}/\text{K}$ (In water), -10 \square ~ 100 \square ,-,5,-,5,-	1	PC	SNA
3	DC61-02549A	BUSH-MOTOR	HEBA BIGBANG,NYLON,ID16,OD19,L23,T1.5	2	PC	SNA
4	DC61-01933A	TUB-FRONT	HEBA PJT,FRPP-GF15%,ID528,OD575,NTR,7KG	1	PC	SNA
5	DC64-01602A	DOOR-DIAPHRAGM	HEBA-PJT,EPDM,T2.0,-,-,-,GRY,WASHER	1	PC	SNA
6	DC65-00021A	CLAMPER HOSE-JOINT	HEBAPJT,HSWR,-,ID74/OD78,WHT,-	1	PC	SNA
7	DC66-00421B	DAMPER-SHOCK	HEBA-SSEC PJT,PP,L215,80N	2	PC	SNA
8	DC67-00434A	WEIGHT-BALANCER(F/L)	WD8704DJF,CONCRETE,T45,W243,L475,RED,6 500g	1	PC	SA
9	DC67-00433A	WEIGHT-BALANCER(F/R)	WD8704DJF,CONCRETE,T45,W243,L475,RED,6 500g	1	PC	SA
10	DC69-00824A	PACKING-THERMISTOR	GW-PJT,EPDM,EPDM,-,W17,- ,H11,BLACK,1.25g,-,-,-,-	1	PC	SNA
11	DC93-00015A	ASSY WIRE EARTH	AEGIS,5KG,230V/50HZ,EARTH WIRE,AEGIS,-	1	PC	SA
12	DC97-06080A	ASSY BOLT	SEW-3HR107,BOLT+WASHER,-,-,-,-	1	PC	SNA
13	DC97-14263A	ASSY BOLT	HEBA-PJT,MOTOR/ BOLT(M8)+WASHER(OD28.6),-,-,-,-	2	PC	SA
13	DC97-14263A	ASSY BOLT	HEBA-PJT,MOTOR/ BOLT(M8)+WASHER(OD28.6),-,-,-,-	2	PC	SA
14	DC97-14373G	ASSY DRUM	SSEC HEBA,WF8702DPA,7KG,1200rpm	1	PC	SA
14-1	6002-001006	SCREW-TAPPING	TH,+,-,2S,M4,L12,PASS,STS430,-	3	PC	SNA
14-2	DC60-40137A	BOLT-HEX	MARS-PJT,STS430,M8,-,P1.25,L30,-,-,HEX/ KNURING	3	PC	SA
14-3	DC66-00489A	DRUM-FRONT	HEBA PJT,STAINLESS- STS430,ID492,OD492.4,T0.4	1	PC	SNA
14-4	DC66-00501A	DRUM-WRAPPER	HEBA PJT/7.0kg,STS430,ID492,OD492.4,L351.2,- ,CUBE DRUM/T0.5	1	PC	SNA
14-5	DC66-00492A	DRUM-BACK	HEBAPJT,STS430,ID492,OD492.4,T0.5	1	PC	SNA
14-6	DC66-00493A	DRUM-LIFTER	HEBAPJT,PP-TI42,-,-,L246,NTR,7/8KG	3	PC	SA
14-7	DC97-14370D	ASSY FLANGE SHAFT	SSEC HEBA,WF8802DPA,1200rpm	1	PC	SA
15	DC91-12077G	ASSY CLAMP DIAPHRAGM	AEGIS,WF8500NHW/YLP,-,72A/ZPC2-YEL,-,-	1	PC	SNA
16	DC97-14637A	ASSY HOSE PRESSURE	HEBAPJT,-,-,-,-,-	1	PC	SA
16-1	DC61-70029C	SPRING-CLIP	SEW-HW125,HSWR67,CD1.2,ID8.5,OD10.9,-,-,- ,WHT,-,-	1	PC	SNA
16-1	DC61-70029C	SPRING-CLIP	SEW-HW125,HSWR67,CD1.2,ID8.5,OD10.9,-,-,- ,WHT,-,-	1	PC	SNA
16-2	DC63-10003C	SPONGE-HOSE AIR	POL,GRY,SWF-P12,HB22-GREY,	2	PC	SNA
16-3	DC65-60125B	BAND-RING	-,HSWR,T2.4,PI25,-,YEL,-	1	PC	SNA
16-4	DC67-00230B	HOSE-WATER	WF8800,TPE,ID4.5,OD8.0,T1.75,L725,BLK,HE BA-PJT	1	PC	SA
16-5	DC67-00293A	HOSE-FILTER TUB	HEBA-PJT,EPDM,-,-,T2.5,-,BLK,-	1	PC	SA
16-6	DC67-00297A	HOSE-JOINT AIR	HEBA-PJT,PP,ID22,OD26,T2.0,L150,NTR,-	1	PC	SNA
16-7	DC72-00001H	BAND-RING	HEBA-PJT,HSWR,PI3.0,ID35,-,WHT,HOSE- FILTER+PUMP-CASE	1	PC	SNA
17	6602-001497	BELT-TIMING GEAR	-,RUBBER(GATES),T3.4,-,1270-5J,BLK	1	PC	SA
18	DC66-00530A	PULLEY-MOTOR	HEBA-PJT,ALDC12,-,-,-,OD296.8,-,6-WING	1	PC	SNA

MODEL CODE: WF8700LSV1/YAHService Bom (**SA**: SERVICE AVAILABLE, **SNA**: SERVICE NOT AVAILABLE)

Drawing No.	Code No.	Description	Specification	QTY	Un	SA/SNA
19	DC47-00033A	HEATER-WASH	HEBA,SUS316L+CERAMIC COATING,2000,8.69,230V,26.46,8.5mm,220mm,Double Fuse (167□, Cut Off Time 70±20s)	1	PC	SA
19-1		WASHER-PLAIN		1	PC	
19-2		HEATER-WASH		1	PC	
20		ASSY HOSE AIR		1	PC	
20-1	DC65-60118J	BAND-RING	-,HSWR,-,-,,-,WHT,PI2.0/ID23	2	PC	SNA
20-2	DC67-00354A	HOSE-AIR	HEBA PJT,EPDM,-,-,,-,T2.5,-,BLK,7kg	1	PC	SNA
21		ASSY HOSE DRAWER		1	PC	
21-1	DC65-60118R	CLAMPER HOSE	AEGIS-PJT,HSWR,T3.0,ID36.5,-,WHT,-	1	PC	SA
21-2	DC67-00422A	HOSE-DRAWER TUB	HEBA-PJT,EPDM,ID42.5,OD46.5,T2.0,BLK	1	PC	SA
21-3	DC72-00001G	BAND-RING	HEBA-PJT,HSWR,PI3.0,W21.5,ID49.5,WHT,HOSE-DRAWER + TUB-FRONT	1	PC	SNA
22	DC97-16462B	ASSY SEMI TUB BACK	Heba PJT,WF8802SPG1/XSP,7.0KG and 8KG,PP GF30%,(220/50HZ)/PUMP,220V~50Hz	1	PC	SA
22-1	DC62-00008A	SEAL-OIL	-,NBR(SD35),BLK,-,-,-,,-,NBU(PI15)	1	PC	SNA
22-2	DC69-01154A	PACKING-TUB	WF8804DP,EPDM,EPDM,T5.0,-,L1650,-,BLK,20g,-,-,-,-	1	PC	SNA
22-3	DC61-01934C	TUB-BACK	Heba,FRPP,ID521.8,OD526.4,NTR,1400RPM	1	PC	SNA
23	DC60-40144A	BOLT-HEX	SM10C,L41,ZPC2(YEL),M10,ZPC2(YEL),DAMPER	2	PC	SA
24	DC67-00296B	WEIGHT-BALANCER(U)	HEBA-PJT,CONCRETE,-,W157.8,L162.6,RED,3.5KG/ UPPER	1	PC	SA
25	DC63-00889C	COVER-HEATER	SEW-100 JL,PVC,T2.0,-,-	1	PC	SNA
26	6011-003934	ASSY BOLT	M7.6,L48,ZPC(WHT),SCM 435,WASHER	6	PC	SNA
26	6011-003934	ASSY BOLT	M7.6,L48,ZPC(WHT),SCM 435,WASHER	3	PC	SNA

MEMO

5-4. ASS'Y FRAME FRONT



MODEL CODE: WF8802DPF1/XET

Service Bom (SA: SERVICE AVAILABLE, SNA: SERVICE NOT AVAILABLE)

Drawing No.	Code No.	Description	Specification	QTY	Un	SA/SNA
0		FRAME FRONT & DOOR				
1	6002-000471	SCREW-TAPPING	TH,+,-,1,M4,L12,PASS,STS304,-	2	PC	SNA
2	DC61-01917A	GUIDE-FILTER	WF8804DP,PP,T2.5,W300,L200,WHT,-	1	PC	SNA
3	DC61-01919A	BRACKET-HINGE	WF8804DP,GI,T1.4,W30,L150,-,TAP	1	PC	SNA
4	DC63-01287A	COVER-FILTER	WF8804DPA,ABS,WHITE	1	PC	SNA
5	DC63-00967A	COVER-DOOR SWITCH	AEGIS-PJT/ WF8500NHW,PP,T1,W24.8,L8 8,5VAGRADE,NTR,ZV-446	1	PC	SA
6	DC64-01538A	DOOR-LOCK S/W	ZV-446L5,PA66,T19.5,-,W95.3,- ,BLK,250V/16A	1	PC	SA
7	DC97-14343P	ASSY DOOR	HEBA-PJT,WF8802DPF,CR +SILVER	1	PC	SNA
7-1	6002-000444	SCREW-TAPPING	TH,+2,M4,L14,PASS,STS430	12	PC	SNA
7-2	DC64-01521A	DOOR-GLASS	WF8804DP,NON- HeatTreatmentGLASS,T5.0,H100.5,-,- ,NAT,BOROSILICATE	1	PC	SA
7-3	DC97-14328B	ASSY COVER DOOR	WF8804DP,-,-,-,CR+SIL	1	PC	SA
7-3-1	DC63-00855A	COVER-DOOR	WF8804DP,ABS,T3.0,W480,L480,-,- ,WHT,CR	1	PC	SNA
7-3-2	DC64-01523B	DECORATION-COVER DOOR	WF8802DPF,ABS,T2.7,W450,L450,-,SIL,-	1	PC	SNA
7-4	DC97-15375C	ASSY HOLDER GLASS	HEBA-PJT,WF8804DPA/XEO,SILVER	1	PC	SA
7-4-1	DC64-00564A	PIN-PARALLEL(KEY)	Q1636GW/XEU,STS,-,-,-,TS-2 PJT	1	PC	SA
7-4-2	DC61-01909A	HOLDER GLASS	WF8804DP,PP,T3.0,W480,L480,GRY,MT43 HG RESIN	1	PC	SNA
7-4-3	DC61-02027A	SPRING ETC-LEVER	-,STS304,-,OD1.1,L15,6TURNS,T1.1,-,-	1	PC	SNA
7-4-4	DC63-00853A	COVER HANDLE	WF8804DP,ABS,T2.5,W60,L125,-,-,GRY,-	1	PC	SNA
7-4-5	DC64-01524A	HANDLE DOOR	WF8804DP,ABS,T2.5,W25,L125,-,GRY,-	1	PC	SA
7-4-6	DC66-00497A	LEVER-DOOR	WF8804DP,ZNDC,T10,W10,L35,-,-,NI	1	PC	SA
7-4-7	6002-000445	SCREW-TAPPING	TH,+2,M4,L18,PASS,STS304	4	PC	SNA
7-4-8	DC61-00891A	GUIDE-HINGE	HAUZEN(DOM),POM,-,-,WHT,HINGE	4	PC	SA
7-4-9	DC61-01910A	HINGE-DOOR	WF8804DP,ALDC,T5.0,W30,L150,-,-,Ni	1	PC	SA
7-4-10	DC61-01915B	BRACKET-HOLDER	WF8804DP,GI,T1.2,W45,L160,-,-	1	PC	SNA
8	DC97-16454A	ASSY FRAME FRONT	HEBA-PJT,WF8804DPA/XEO,WHITE	1	PC	SA
8-1	DC60-00018A	RIVET-PLATE	-,MSWR,D3.9,-,-,L30,WHT,-,-	4	PC	SNA
8-2	DC61-02919A	FRAME-FRONT	WF8804HPA,EGI-SECC,T0.8	1	PC	SNA
8-3	DC61-01981A	BRACKET-FRAME	WF8804DP,GI,T0.8,W20,L310,-,-	1	PC	SNA
9	DC91-12078D	ASSY WIRE DIAPHRAGM	HEBA-PJT,-,-,-,-	1	PC	SNA

MODEL CODE: WF8804DPA1/XEO

Service Bom (SA: SERVICE AVAILABLE, SNA: SERVICE NOT AVAILABLE)

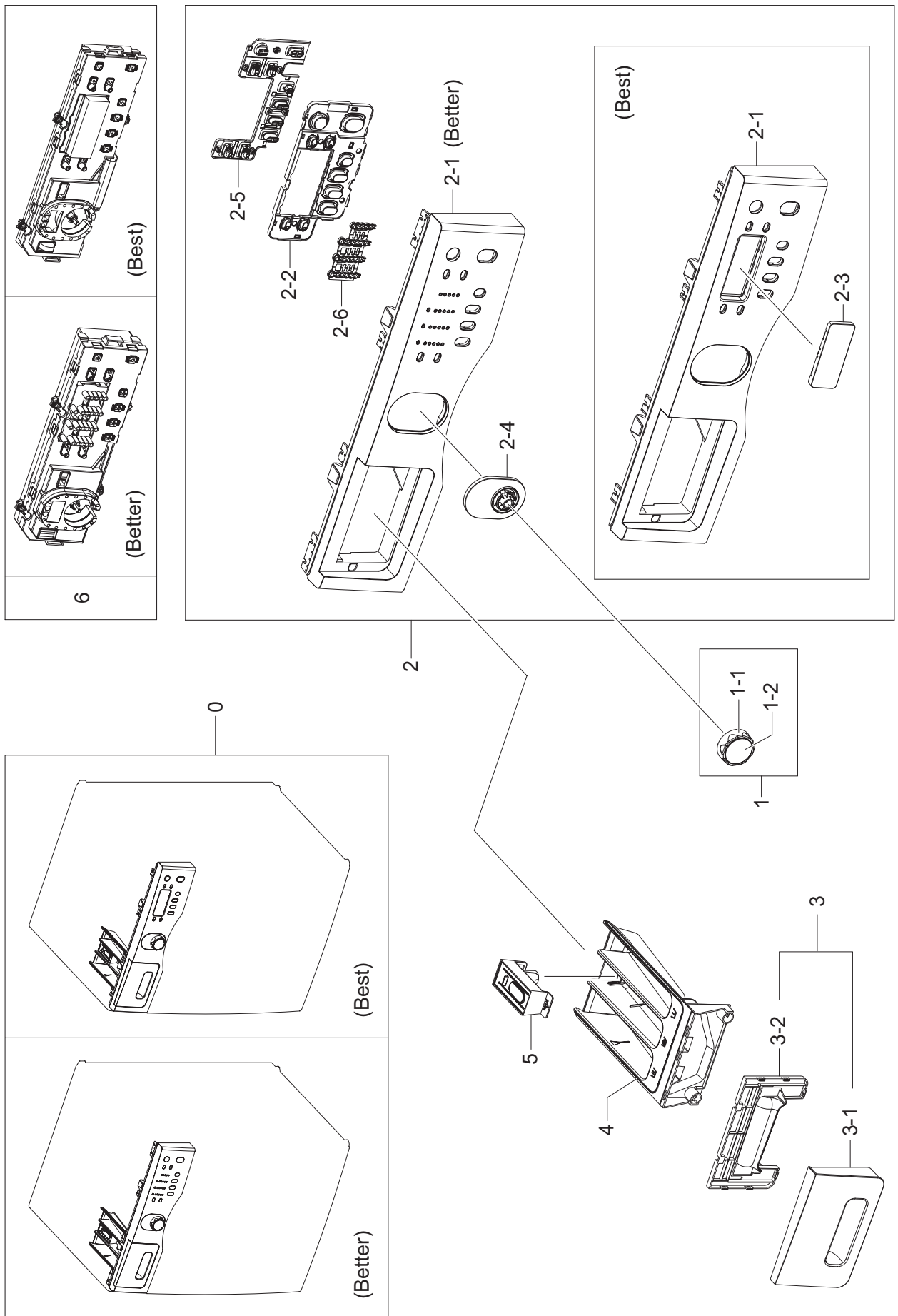
Drawing No.	Code No.	Description	Specification	QTY	Un	SA/SNA
0		FRAME FRONT & DOOR				
1	6002-000471	SCREW-TAPPING	TH,+,-,1,M4,L12,PASS,STS304,-	2	PC	SNA
2	DC61-01917A	GUIDE-FILTER	WF8804DP,PP,T2.5,W300,L200,WHT,-	1	PC	SNA
3	DC61-01919A	BRACKET-HINGE	WF8804DP,GI,T1.4,W30,L150,-,TAP	1	PC	SNA
4	DC63-01287A	COVER-FILTER	WF8804DPA,ABS,WHITE	1	PC	SNA
5	DC63-00967A	COVER-DOOR SWITCH	AEGIS-PJT/ WF8500NHW,PP,T1,W24.8,L88,5VAGRADE,NTR,ZV-446	1	PC	SA
6	DC64-01538A	DOOR-LOCK S/W	ZV-446L5,PA66,T19.5,-,W95.3,-,BLK,250V/16A	1	PC	SA
7	DC97-14343L	ASSY DOOR	HEBA-PJT,WF8804DPA1,GRAY	1	PC	SNA
7-1	6002-000444	SCREW-TAPPING	TH,+2,M4,L14,PASS,STS430	12	PC	SNA
7-2	DC64-01521A	DOOR-GLASS	WF8804DP,NON-HeatTreatmentGLASS,T5.0,H100.5,-,-,NAT,BOROSILICATE	1	PC	SA
7-3	DC97-14328A	ASSY COVER DOOR	WF8804DP,-,-,-,CR+BLACK	1	PC	SA
7-3-1	DC63-00855A	COVER-DOOR	WF8804DP,ABS,T3.0,W480,L480,-,-,WHT,CR	1	PC	SNA
7-3-2	DC64-01523A	DECORATION-COVER DOOR	WF8804DP,ABS,T2.7,W450,L450,-,BLK,-	1	PC	SNA
7-4	DC97-15375C	ASSY HOLDER GLASS	HEBA-PJT,WF8804DPA/XEO,SILVER	1	PC	SA
7-4-1	DC64-00564A	PIN-PARALLEL(KEY)	Q1636GW/XEU,STS,-,-,-,-,TS-2 PJT	1	PC	SA
7-4-2	DC61-01909A	HOLDER GLASS	WF8804DP,PP,T3.0,W480,L480,GRY,MT43 HG RESIN	1	PC	SNA
7-4-3	DC61-02027A	SPRING ETC-LEVER	-,STS304,-,-,OD1.1,L15,6TURNS,T1.1,-,-,-	1	PC	SNA
7-4-4	DC63-00853A	COVER HANDLE	WF8804DP,ABS,T2.5,W60,L125,-,-,GRY,-	1	PC	SNA
7-4-5	DC64-01524A	HANDLE DOOR	WF8804DP,ABS,T2.5,W25,L125,-,-,GRY,-	1	PC	SA
7-4-6	DC66-00497A	LEVER-DOOR	WF8804DP,ZNDC,T10,W10,L35,-,-,NI	1	PC	SA
7-4-7	6002-000445	SCREW-TAPPING	TH,+2,M4,L18,PASS,STS304	4	PC	SNA
7-4-8	DC61-00891A	GUIDE-HINGE	HAUZEN(DOM),POM,-,-,-,WHT,HINGE	4	PC	SA
7-4-9	DC61-01910A	HINGE-DOOR	WF8804DP,ALDC,T5.0,W30,L150,-,-,Ni	1	PC	SA
7-4-10	DC61-01915B	BRACKET-HOLDER	WF8804DP,GI,T1.2,W45,L160,-,-	1	PC	SNA
8	DC97-16454A	ASSY FRAME FRONT	HEBA-PJT,WF8804DPA/XEO,WHITE	1	PC	SA
8-1	DC60-00018A	RIVET-PLATE	-,MSWR,D3.9,-,-,L30,WHT,-,-	4	PC	SNA
8-2	DC61-02919A	FRAME-FRONT	WF8804HPA,EGI-SECC,T0.8	1	PC	SNA
8-3	DC61-01981A	BRACKET-FRAME	WF8804DP,GI,T0.8,W20,L310,-,-	1	PC	SNA
9	DC91-12078D	ASSY WIRE DIAPHRAGM	HEBA-PJT,-,-,-,-,-	1	PC	SNA

MODEL CODE: WF8700LSV1/YAH

Service Bom (SA: SERVICE AVAILABLE, SNA: SERVICE NOT AVAILABLE)

Drawing No.	Code No.	Description	Specification	QTY	Un	SA/SNA
0		FRAME FRONT & DOOR				
1	6002-000471	SCREW-TAPPING	TH,+,-,1,M4,L12,PASS,STS304,-	2	PC	SNA
2	DC61-01917A	GUIDE-FILTER	WF8804DP,PP,T2.5,W300,L200,WHT,-	1	PC	SNA
3	DC61-01919A	BRACKET-HINGE	WF8804DP,GI,T1.4,W30,L150,-,TAP	1	PC	SNA
4	DC63-01287A	COVER-FILTER	WF8804DPA,ABS,WHITE	1	PC	SNA
5	DC63-00967A	COVER-DOOR SWITCH	AEGIS-PJT/ WF8500NHW,PP,T1,W24.8,L88,5VAGRADE,NTR,ZV-446	1	PC	SA
6	DC64-01538A	DOOR-LOCK S/W	ZV-446L5,PA66,T19.5,-,W95.3,-,BLK,250V/16A	1	PC	SA
7	DC97-15005D	ASSY DOOR	HEBA-PJT,WF8704ASV,GRAY	1	PC	SNA
7-1	6002-000444	SCREW-TAPPING	TH,+,-,2,M4,L14,PASS,STS430	12	PC	SNA
7-2	DC64-01521A	DOOR-GLASS	WF8804DP,NON-HeatTreatmentGLASS,T5.0,H100.5,-,NAT,BOROSILICATE	1	PC	SA
7-3	DC63-00856B	COVER DOOR	HEBA,ABS,T3.0,W480,L480,-,-,DA-SIL,-	1	PC	SNA
7-4	DC97-15375C	ASSY HOLDER GLASS	HEBA-PJT,WF8804DPA/XEO,SILVER	1	PC	SA
7-4-1	DC64-00564A	PIN-PARALLEL(KEY)	Q1636GW/XEU,STS,-,-,-,-,TS-2 PJT	1	PC	SA
7-4-2	DC61-01909A	HOLDER GLASS	WF8804DP,PP,T3.0,W480,L480,GRY,MT43HG RESIN	1	PC	SNA
7-4-3	DC61-02027A	SPRING ETC-LEVER	-,STS304,-,-,OD1.1,L15,6TURNS,T1.1,-,-,-	1	PC	SNA
7-4-4	DC63-00853A	COVER HANDLE	WF8804DP,ABS,T2.5,W60,L125,-,-,GRY,-	1	PC	SNA
7-4-5	DC64-01524A	HANDLE DOOR	WF8804DP,ABS,T2.5,W25,L125,-,-,GRY,-	1	PC	SA
7-4-6	DC66-00497A	LEVER-DOOR	WF8804DP,ZNDC,T10,W10,L35,-,-,NI	1	PC	SA
7-4-7	6002-000445	SCREW-TAPPING	TH,+,-,2,M4,L18,PASS,STS304	4	PC	SNA
7-4-8	DC61-00891A	GUIDE-HINGE	HAUZEN(DOM),POM,-,-,-,WHT,HINGE	4	PC	SA
7-4-9	DC61-01910A	HINGE-DOOR	WF8804DP,ALDC,T5.0,W30,L150,-,-,Ni	1	PC	SA
7-4-10	DC61-01915B	BRACKET-HOLDER	WF8804DP,GI,T1.2,W45,L160,-,-	1	PC	SNA
8	DC97-16454A	ASSY FRAME FRONT	HEBA-PJT,WF8804DPA/XEO,WHITE	1	PC	SA
8-1	DC60-00018A	RIVET-PLATE	-,MSWR,D3.9,-,-,L30,WHT,-,-	4	PC	SNA
8-2	DC61-02919A	FRAME-FRONT	WF8804HPA,EGI-SECC,T0.8	1	PC	SNA
8-3	DC61-01981A	BRACKET-FRAME	WF8804DP,GI,T0.8,W20,L310,-,-	1	PC	SNA
9	DC91-12078D	ASSY WIRE DIAPHRAGM	HEBA-PJT,-,-,-,-,-	1	PC	SNA

5-5. PANEL-CONTROL & DRAWER



MODEL CODE: WF8802DPF1/XET

Service Bom (SA: SERVICE AVAILABLE, SNA: SERVICE NOT AVAILABLE)

Drawing No.	Code No.	Description	Specification	QTY	Un	SA/SNA
0		PANEL-CONTROL & DRAWER	Refer to 5.4 Control & Drawer	1		
1	DC97-14576A	ASSY KNOB ENCODER	WF8804DP,HIGH-DESIGN/8.0kg/ENG/Ag+,Airwash/Antileakage,-,-	1	PC	SA
1-1	DC64-01534A	KNOB-ENCODER	HEBA-PJT,ABS,T2.0,PI51.0,H34.85,-,BLK,-,HIGH	1	PC	SNA
1-2	DC64-01536A	DECORATION-ENCODER	HEBA-PJT,ALDC8,T2.0,-,-,-,-,-	1	PC	SNA
2	DC97-14577C	ASSY PANEL CONTROL	WF8802DPF,HIGH-DESIGN/8.0Kg/AG+/Airwash/,-,DAWHT,ITALIAN,-	1	PC	SA
2-1	DC64-01528A	PANEL-CONTROL	HEBA-PJT,ABS,T2.5,-,-,-,WHT,HIGH	1	PC	SNA
2-2	DC64-01529A	BUTTON-PUSH(F)	HEBA-PJT,ABS,-,-,WHT,SILK-PRINTING	1	PC	SNA
2-3	DC64-01531A	WINDOW-PANEL	HEBA-PJT,ABS,T2.0,-,-,-,BLK,HIGH	1	PC	SNA
2-4	DC64-01533A	WINDOW-ENCODER	HEBA,ABS,T2.0,-,-,-,BLK,HIGH/MID	1	PC	SNA
2-5	DC64-01535A	BUTTON-RUBBER	HEBA-PJT,SILICONE,-,-,NTR,HARDNESS50	1	PC	SNA
3	DC97-16500A	ASSY PANEL DRAWER	HEBA,WF8804DPA,8.0kg/1400rpm,DA-WHT,ENGLISH,Ag+	1	PC	SA
3-1	DC64-01526A	PANEL-DRAWER	HEBA-PJT,ABS,T2.5,W183.8,L115.2,-,WHT,-	1	PC	SNA
3-2	DC64-01527A	HANDLE-DRAWER	HEBA-PJT,ABS,T2.0,-,-,-,WHT,-	1	PC	SNA
4	DC61-02973A	BODY-DRAWER	WD8804DPA,PP,T2.0,NTR,HEBA	1	PC	SA
5	DC61-02972A	STOPPER-DRAWER	WF8804DPA,PP+GF,T2.0,NTR,HEBA	1	PC	SNA
6	DC92-00594F	ASSY PCB MAIN	HEBA BEST,WF8802DPF1/XET,8kg 1200rpm,220V/50Hz,Ag+,AIRWASH,Y,SMPS	1	PC	SA

MODEL CODE: WF8804DPA1/XEO

Service Bom (SA: SERVICE AVAILABLE, SNA: SERVICE NOT AVAILABLE)

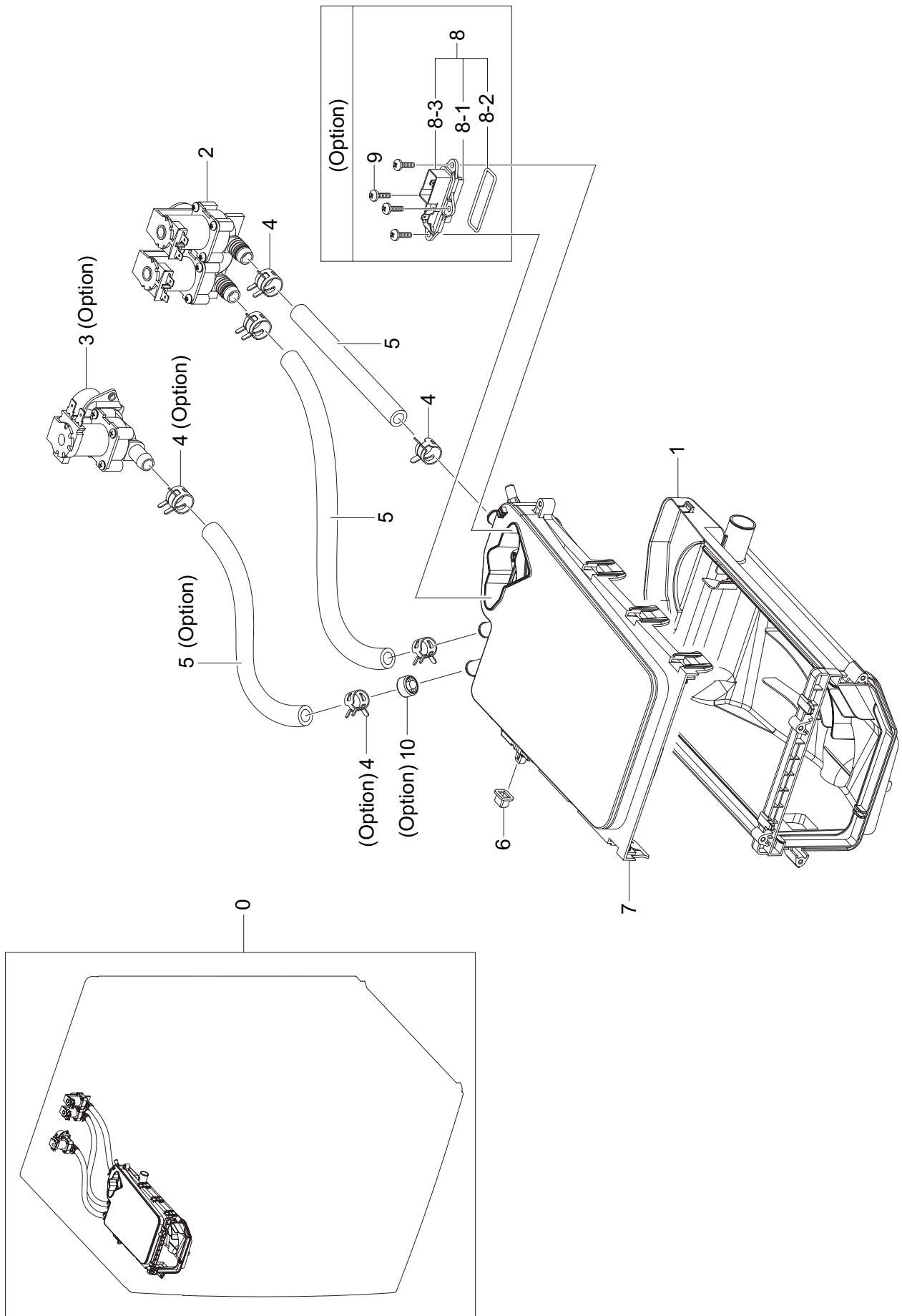
Drawing No.	Code No.	Description	Specification	QTY	Un	SA/SNA
0		PANEL-CONTROL & DRAWER	Refer to 5.4 Control & Drawer	1		
1	DC97-14576A	ASSY KNOB ENCODER	WF8804DP,HIGH-DESIGN/8.0kg/ENG/Ag+,Airwash/Antileakage,-,-	1	PC	SA
1-1	DC64-01534A	KNOB-ENCODER	HEBA-PJT,ABS,T2.0,PI51.0,H34.85,-,BLK,-,HIGH	1	PC	SNA
1-2	DC64-01536A	DECORATION-ENCODER	HEBA-PJT,ALDC8,T2.0,-,-,-,-,-	1	PC	SNA
2	DC97-14577W	ASSY PANEL CONTROL	HEBA,WF8804DPA/XEO,HIGH/8.0Kg`,wht body,POLISH,-	1	PC	SA
2-1	DC64-01528A	PANEL-CONTROL	HEBA-PJT,ABS,T2.5,-,-,-,-,WHT,HIGH	1	PC	SNA
2-2	DC64-01529A	BUTTON-PUSH(F)	HEBA-PJT,ABS,-,-,WHT,SILK-PRINTING	1	PC	SNA
2-3	DC64-01531A	WINDOW-PANEL	HEBA-PJT,ABS,T2.0,-,-,-,BLK,HIGH	1	PC	SNA
2-4	DC64-01533A	WINDOW-ENCODER	HEBA,ABS,T2.0,-,-,-,BLK,HIGH/MID	1	PC	SNA
2-5	DC64-01535A	BUTTON-RUBBER	HEBA-PJT,SILICONE,-,-,NTR,HARDNESS50	1	PC	SNA
3	DC97-16500A	ASSY PANEL DRAWER	HEBA,WF8804DPA,8.0kg/1400rpm,DA-WHT,ENGLISH,Ag+	1	PC	SA
3-1	DC64-01526A	PANEL-DRAWER	HEBA-PJT,ABS,T2.5,W183.8,L115.2,-,WHT,-	1	PC	SNA
3-2	DC64-01527A	HANDLE-DRAWER	HEBA-PJT,ABS,T2.0,-,-,-,WHT,-	1	PC	SNA
4	DC61-02973A	BODY-DRAWER	WD8804DPA,PP,T2.0,NTR,HEBA	1	PC	SA
5	DC61-02972A	STOPPER-DRAWER	WF8804DPA,PP+GF,T2.0,NTR,HEBA	1	PC	SNA
6	DC92-00119J	ASSY PCB MAIN	HEBA-BEST(WF8804DP),MF-HWK4DPC-00,230V/50HZ,GRAPHIC/1888/LED,8KG/1400/AG/WS/AW/52MM	1	PC	SA

MODEL CODE: WF8700LSV1/YAH

Service Bom (SA: SERVICE AVAILABLE, SNA: SERVICE NOT AVAILABLE)

Drawing No.	Code No.	Description	Specification	QTY	Un	SA/SNA
0		PANEL-CONTROL & DRAWER	Refer to 5.4 Control & Drawer	1		
1	DC97-14576B	ASSY KNOB ENCODER	WF8804SS,mid-DESIGN/8.0kg/ENG/Ag+,Airwash/Anti leakage,-,-	1	PC	SA
1-1	DC64-01534A	KNOB-ENCODER	HEBA-PJT,ABS,T2.0,PI51.0,H34.85,-,BLK,-,HIGH	1	PC	SNA
1-2	DC64-01606A	DECORATION-ENCODER	WF8804DS,ABS,T2.0,-,L42.2,-,SIL,HEBA-PJT(mid)	1	PC	SNA
2	DC97-14727C	ASSY PANEL CONTROL	MID/7.0Kg,WF8700LSV/YAH,-,WHT BODY,TURKISH,-	1	PC	SA
2-1	DC64-01532A	PANEL-CONTROL	HEBA-PJT,ABS,T2.5,-,-,-,WHT,MID	1	PC	SNA
2-2	DC64-01529A	BUTTON-PUSH(F)	HEBA-PJT,ABS,-,-,WHT,SILK-PRINTING	1	PC	SNA
2-4	DC64-01533A	WINDOW-ENCODER	HEBA,ABS,T2.0,-,-,-,BLK,HIGH/MID	1	PC	SNA
2-5	DC64-01535A	BUTTON-RUBBER	HEBA-PJT,SILICONE,-,-,NTR,HARDNESS50	1	PC	SNA
2-6	DC64-01530A	DECORATION-LED	HEBA-PJT,ABS,T1.2,-,-,-,CLEAR,MID	1	PC	SNA
3	DC97-16500A	ASSY PANEL DRAWER	HEBA,WF8804DPA,8.0kg/1400rpm,DA-WHT,ENGLISH,Ag+	1	PC	SA
3-1	DC64-01526A	PANEL-DRAWER	HEBA-PJT,ABS,T2.5,W183.8,L115.2,-,WHT,-	1	PC	SNA
3-2	DC64-01527A	HANDLE-DRAWER	HEBA-PJT,ABS,T2.0,-,-,-,WHT,-	1	PC	SNA
4	DC61-02973A	BODY-DRAWER	WD8804DPA,PP,T2.0,NTR,HEBA	1	PC	SA
5	DC61-02972A	STOPPER-DRAWER	WF8804DPA,PP+GF,T2.0,NTR,HEBA	1	PC	SA
6	DC92-00131B	ASSY PCB MAIN	HEBA-BETTER(WF8700LS,MF-HWJ0LSC-00,7KG/1000RPM//NO OPTI,LED	1	PC	SA

5-6. ASS'Y HOUSING DRAWER



MODEL CODE: WF8802DPF1/XETService Bom (**SA**: SERVICE AVAILABLE, **SNA**: SERVICE NOT AVAILABLE)

Drawing No.	Code No.	Description	Specification	QTY	Un	SA/SNA
0	DC97-14654A	ASSY HOUSING DRAWER	WF8804DP,HEBA-PJT/,-,-,AG+	1	PC	SNA
1	DC61-02434A	HOUSING-DRAWER(L)	HEBA-PJT,PP,T1.8,NTR	1	PC	SA
2	DC62-00024F	VALVE-WATER	B1215J,NYLON66/250TRMN,NTR,2-WAY(220~240V50/60Hz)ELBI/COLD	1	PC	SC
4	DC65-00008A	CLAMPER HOSE	SEW-DR605,SK5,-,-,YEL,ID14.2/T0.9	4	PC	SNA
5	DC67-00051B	HOSE-DRAWER	Q1636GW/XEU,EPDM,ID9.0,OD14.5,-,-,BLK,-	0.21	M	SA
5	DC67-00051B	HOSE-DRAWER	Q1636GW/XEU,EPDM,ID9.0,OD14.5,-,-,BLK,-	0.27	M	SA
6	DC67-00327A	CAP-DRAWER HOOK	HEBA-PJT,EPDM,T1.1,W13.9/L10.8,H9.2,BLK,-	1	PC	SNA
7	DC97-14656A	ASSY S.HOUSING DRAWER	WF8804DP,HEBA-PJT,-,-,-,-	1	PC	SA
8	DC97-13059B	ASSY GUIDE WATER	HEBA,WF8802DPF,SILVER,-	1	PC	SA
8-1	DC61-01140B	PLATE-SILVER	XQB55-T86A,SILVER,T0.8,W10,L40,-,-	2	PC	SNA
8-2	DC62-00237A	SEAL-CAP GUIDE	AG+,SILICON,NTR,T2.0,W17,L52.6,-	1	PC	SNA
8-3	DC67-00257A	CAP-GUIDE WATER	ABS,W75.0,L39,WHITE,AG+	1	PC	SNA
9	6002-000234	SCREW-TAPPING	TH,+,-,2S,M4,L16,ZPC(WHT),SWRCH18A,-	4	PC	SNA

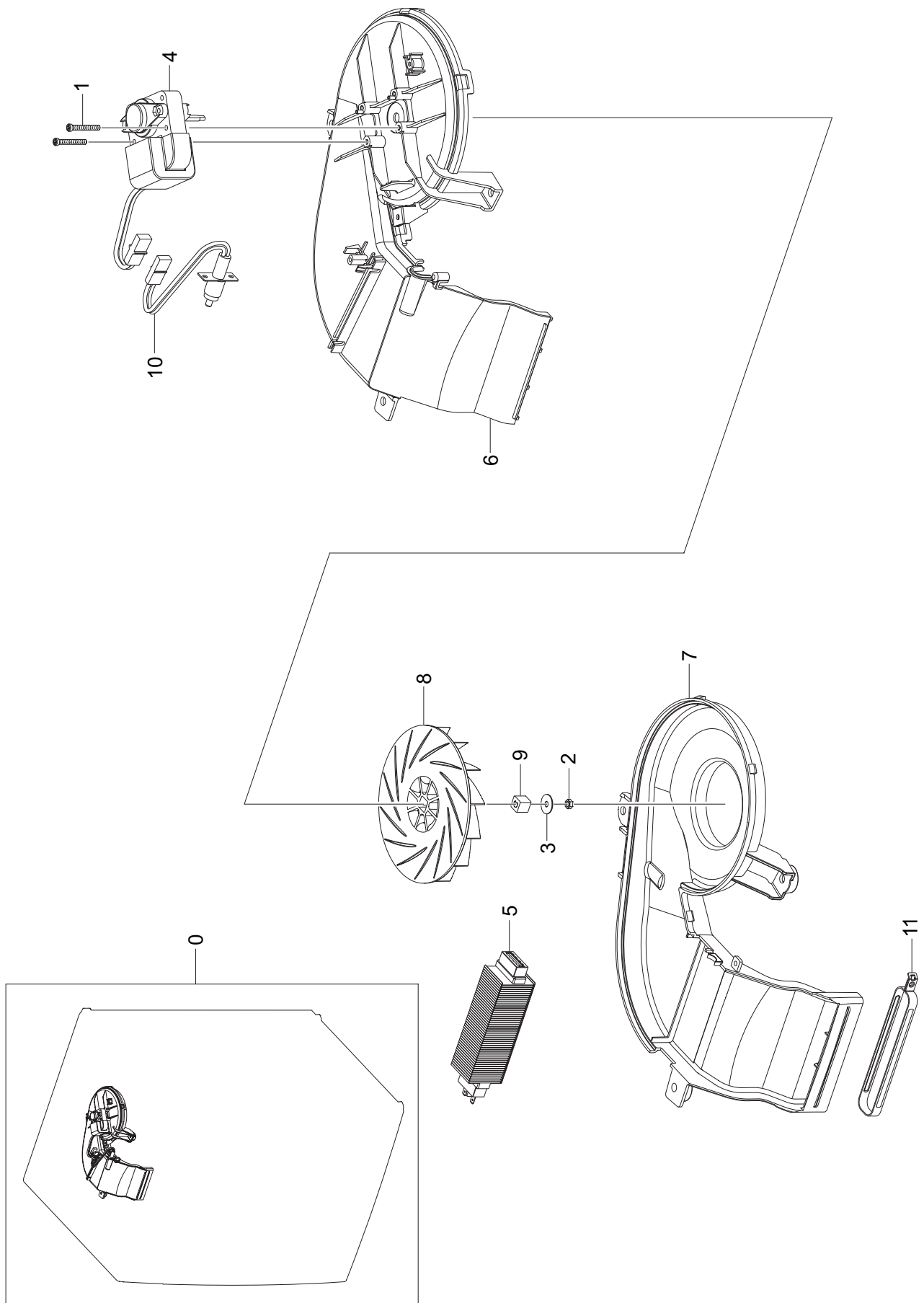
MODEL CODE: WF8804DPA1/XEOService Bom (**SA**: SERVICE AVAILABLE, **SNA**: SERVICE NOT AVAILABLE)

Drawing No.	Code No.	Description	Specification	QTY	Un	SA/SNA
0	DC97-14654A	ASSY HOUSING DRAWER	WF8804DP,HEBA-PJT/,-,-,AG+	1	PC	SNA
1	DC61-02434A	HOUSING-DRAWER L	HEBA-PJT,PP,T1.8,NTR	1	PC	SA
2	DC62-00024F	VALVE-WATER	B1215J,NYLON66/250TRMN,NTR,2-WAY(220~240V50/60Hz)ELBI/COLD	1	PC	SC
4	DC65-00008A	CLAMPER HOSE	SEW-DR605,SK5,-,-,YEL,ID14.2/T0.9	4	PC	SNA
5	DC67-00051B	HOSE-DRAWER	Q1636GW/XEU,EPDM,ID9.0,OD14.5,-,-,BLK,-	0.21	M	SA
5	DC67-00051B	HOSE-DRAWER	Q1636GW/XEU,EPDM,ID9.0,OD14.5,-,-,BLK,-	0.27	M	SA
6	DC67-00327A	CAP-DRAWER HOOK	HEBA-PJT,EPDM,T1.1,W13.9/L10.8,H9.2,BLK,-	1	PC	SNA
7	DC97-14656A	ASSY S.HOUSING DRAWER	WF8804DP,HEBA-PJT,-,-,-,-	1	PC	SA
8	DC97-13059B	ASSY GUIDE WATER	HEBA,WF8802DPF,SILVER,-	1	PC	SA
8-1	DC61-01140B	PLATE-SILVER	XQB55-T86A,SILVER,T0.8,W10,L40,-,-	2	PC	SNA
8-2	DC62-00237A	SEAL-CAP GUIDE	AG+,SILICON,NTR,T2.0,W17,L52.6,-	1	PC	SNA
8-3	DC67-00257A	CAP-GUIDE WATER	ABS,W75.0,L39,WHITE,AG+	1	PC	SNA
9	6002-000234	SCREW-TAPPING	TH,+,-,2S,M4,L16,ZPC(WHT),SWRCH18A,-	4	PC	SNA

MODEL CODE: WF8700LSV1/YAHService Bom (**SA**: SERVICE AVAILABLE, **SNA**: SERVICE NOT AVAILABLE)

Drawing No.	Code No.	Description	Specification	QTY	Un	SA/SNA
0	DC97-14654B	ASSY HOUSING DRAWER	WF8804DP,HEBA-PJT/COLD,-,-,-	1	PC	SNA
1	DC61-02434A	HOUSING-DRAWER(L)	HEBA-PJT,PP,T1.8,NTR	1	PC	SA
2	DC62-00024F	VALVE-WATER	B1215J,NYLON66/250TRMN,NTR,2-WAY(220~240V50/60Hz)ELBI/COLD	1	PC	SC
4	DC65-00008A	CLAMPER HOSE	SEW-DR605,SK5,-,-,YEL,ID14.2/T0.9	4	PC	SNA
5	DC67-00051B	HOSE-DRAWER	Q1636GW/XEU,EPDM,ID9.0,OD14.5,-,-,BLK,-	0.21	M	SA
5	DC67-00051B	HOSE-DRAWER	Q1636GW/XEU,EPDM,ID9.0,OD14.5,-,-,BLK,-	0.27	M	SA
6	DC67-00327A	CAP-DRAWER HOOK	HEBA-PJT,EPDM,T1.1,W13.9/L10.8,H9.2,BLK,-	1	PC	SNA
7	DC97-14656B	ASSY S.HOUSING DRAWER	HEBA-PJT,-,PP,8kg,-,COLD/NO_Ag+	1	PC	SA

5-7. ASS'Y AIR WASH






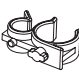



MODEL CODE: WF8802DPF1/XETService Bom (**SA**: SERVICE AVAILABLE, **SNA**: SERVICE NOT AVAILABLE)

Drawing No.	Code No.	Description	Specification	QTY	Un	SA/SNA
0	DC97-14537A	ASSY AIR WASH	WF8804DP,AIRWASH, MOTOR+PTC HEATER,-,-,-	1	PC	SA
1	6011-001675	BOLT-ETC	M4,L32,WHT,MSWR10A, Spring Washer	2	PC	SA
2	6021-001226	NUT-HEXAGON	2C,M4*P0.7,WHT,MSWR10A,LEFT-TURN	1	PC	SNA
3	6031-001616	WASHER-PLAIN	EGI,-,ID4.5,OD16,T1.0,ZPC(WHT),-	1	PC	SNA
4	DC31-00081A	MOTOR INDUCTION-AIR WASH	HEBA Pjt,IS-3215SAWA,2,230V,60Hz,70mA ,8.8W,75deg,2300,-	1	PC	SA
5	DC47-00028A	HEATER-PTC	J526F214P2GK,HEBA-PJT,ALUMINIUM,35 0W,1.59A,220V,250~1000,132x30,132,-	1	PC	SNA
6	DC61-01955A	HOUSING-AIR WASH(U)	HEBA-PJT,PP,T2.2,-,-,NTR,Airwash	1	PC	SNA
7	DC61-01956A	HOUSING-AIR WASH(L)	HEBA-PJT,PP,T2.2,-,-,NTR,Airwash	1	PC	SNA
8	DC67-00299A	FAN-AIR WASH	HEBA-PJT,PP,OD65.0,NO14,T3.0,Airwash	1	PC	SA
9	DC61-01096B	BUSH-FAN	WF8804DP,SUS316,φ5,-,10.4*10.4*H10,- ,INSERT-PART	1	PC	SNA
10	DC90-10128K	ASSY THERMISTOR	PTM-K51F-S15,17.6KΩ±5%(at 50°C),-,-	1	PC	SA
11	DC66-00504A	JOINT-DIAPHRAGM	WF8804DP,EGI,-,-,T1.0,115*24*1.0,-,-	1	PC	SA

MODEL CODE: WF8804DPA1/XEOService Bom (**SA**: SERVICE AVAILABLE, **SNA**: SERVICE NOT AVAILABLE)

Drawing No.	Code No.	Description	Specification	QTY	Un	SA/SNA
0	DC97-14537A	ASSY AIR WASH	WF8804DP,AIRWASH, MOTOR+PTC HEATER,-,-,-	1	PC	SA
1	6011-001675	BOLT-ETC	M4,L32,WHT,MSWR10A, Spring Washer	2	PC	SA
2	6021-001226	NUT-HEXAGON	2C,M4*P0.7,WHT,MSWR10A,LEFT-TURN	1	PC	SNA
3	6031-001616	WASHER-PLAIN	EGI,-,ID4.5,OD16,T1.0,ZPC(WHT),-	1	PC	SNA
4	DC31-00081A	MOTOR INDUCTION-AIR WASH	HEBA Pjt,IS-3215SAWA,2,230V,60Hz,70mA ,8.8W,75deg,2300,-	1	PC	SA
5	DC47-00028A	HEATER-PTC	J526F214P2GK,HEBA-PJT,ALUMINUIM,35 0W,1.59A,220V,250~1000,132x30,132,-	1	PC	SNA
6	DC61-01955A	HOUSING-AIR WASH(U)	HEBA-PJT,PP,T2.2,-,-,NTR,Airwash	1	PC	SNA
7	DC61-01956A	HOUSING-AIR WASH(L)	HEBA-PJT,PP,T2.2,-,-,NTR,Airwash	1	PC	SNA
8	DC67-00299A	FAN-AIR WASH	HEBA-PJT,PP,OD65.0,NO14,T3.0,Airwash	1	PC	SA
9	DC61-01096B	BUSH-FAN	WF8804DP,SUS316,φ5,-,10.4*10.4*H10,- ,INSERT-PART	1	PC	SNA
10	DC90-10128K	ASSY THERMISTOR	PTM-K51F-S15,17.6KΩ±5%(at 50°C),-,-	1	PC	SA
11	DC66-00504A	JOINT-DIAPHRAGM	WF8804DP,EGI,-,-,T1.0,115*24*1.0,-,-	1	PC	SA

5-8. SMALL PARTS

						
1	2	3	4	5	6	7

MODEL CODE: WF8802DPF1/XET

Service Bom (SA: SERVICE AVAILABLE, SNA: SERVICE NOT AVAILABLE)

Drawing No.	Code No.	Description	Specification	Inst point	QTY	Un	SA/SNA
1	DC61-00995C	HOLDER-WIRE	HEBA-PJT, NYLON,ID26,W6,L145,NTR, HEBA-PJT	BKT-L(R)+H-DRAIN(O)	1	PC	SA
2	DC61-40081A	HOLDER-WIRE	DAWH- 2NC,NYLON,NTR(PI18.5)	PLATE(L)+HOSE	1	PC	SNA
2	DC61-40081A	HOLDER-WIRE	DAWH- 2NC,NYLON,NTR(PI18.5)	WIRE(MAIN)+FRAME	3	PC	SNA
2	DC61-40081A	HOLDER-WIRE	DAWH- 2NC,NYLON,NTR(PI18.5)	BKT-SPRING(R)	4	PC	SNA
2	DC61-40081A	HOLDER-WIRE	DAWH- 2NC,NYLON,NTR(PI18.5)	BKT-L(R)+MAIN(WIRE)	1	PC	SNA
2	DC61-40081A	HOLDER-WIRE	DAWH- 2NC,NYLON,NTR(PI18.5)	PLATE(L)+PUMP WIRE	1	PC	SNA
3	DC61-40083A	HOLDER-WIRE	DAWH- 3ND,NYLON,NTR(PI25)/ NYLON66	FRAME+HOSE(O)	1	PC	SNA
3	DC61-40083A	HOLDER-WIRE	DAWH- 3ND,NYLON,NTR(PI25)/ NYLON66	WIRE(MAIN)+FRAME	1	PC	SNA
3	DC61-40083A	HOLDER-WIRE	DAWH- 3ND,NYLON,NTR(PI25)/ NYLON66	ASSY FRAME PLATE(U)	1	PC	SNA
4	DC61-00133A	CLAMPER HOSE-FIX	P1291,PP,ID24.5,OD29.5,HO SE+PLUG,BJ-730	FRM+H-DRAIN+P-CODE	1	PC	SNA
5	6502-000127	CABLE CLAMP	DAWH-18NB,ID15,- ,NYLON66,NTR	ASSY FRAME PLATE(U)	2	PC	SNA
6	DC61-00118A	CLAMPER HOSE-FIX	P1291,NYLON66,ID27,OD30	H-DRAIN(O)+FRAME	1	PC	SNA
7	DE65-20026A	HOLDER-WIRE	PA,NTR,LOCK-TWIST/ STAND/Y260STC/SSEC/ NYLON66	FRAME(BACK->TOP)	3	PC	SNA

MODEL CODE: WF8804DPA1/XEOService Bom (**SA**: SERVICE AVAILABLE, **SNA**: SERVICE NOT AVAILABLE)

Drawing No.	Code No.	Description	Specification	Inst point	QTY	Un	SA/SNA
1	DC61-00995C	HOLDER-WIRE	HEBA-PJT, NYLON,ID26,W6,L145,NTR, HEBA-PJT	BKT-L(R)+H-DRAIN(O)	1	PC	SA
2	DC61-40081A	HOLDER-WIRE	DAWH- 2NC,NYLON,NTR(PI18.5)	PLATE(L)+HOSE	1	PC	SNA
2	DC61-40081A	HOLDER-WIRE	DAWH- 2NC,NYLON,NTR(PI18.5)	WIRE(MAIN)+FRAME	3	PC	SNA
2	DC61-40081A	HOLDER-WIRE	DAWH- 2NC,NYLON,NTR(PI18.5)	BKT-SPRING(R)	4	PC	SNA
2	DC61-40081A	HOLDER-WIRE	DAWH- 2NC,NYLON,NTR(PI18.5)	BKT-L(R)+MAIN(WIRE)	1	PC	SNA
2	DC61-40081A	HOLDER-WIRE	DAWH- 2NC,NYLON,NTR(PI18.5)	PLATE(L)+PUMP WIRE	1	PC	SNA
3	DC61-40083A	HOLDER-WIRE	DAWH- 3ND,NYLON,NTR(PI25)/ NYLON66	FRAME+HOSE(O)	1	PC	SNA
3	DC61-40083A	HOLDER-WIRE	DAWH- 3ND,NYLON,NTR(PI25)/ NYLON66	WIRE(MAIN)+FRAME	1	PC	SNA
3	DC61-40083A	HOLDER-WIRE	DAWH- 3ND,NYLON,NTR(PI25)/ NYLON66	ASSY FRAME PLATE(U)	1	PC	SNA
4	DC61-00133A	CLAMPER HOSE- FIX	P1291,PP,ID24.5,OD29.5,HO SE+PLUG,BJ-730	FRM+H-DRAIN+P-CODE	1	PC	SNA
5	6502-000127	CABLE CLAMP	DAWH-18NB,ID15,- ,NYLON66,NTR	ASSY FRAME PLATE(U)	2	PC	SNA
6	DC61-00118A	CLAMPER HOSE- FIX	P1291,NYLON66,ID27,OD30	H-DRAIN(O)+FRAME	1	PC	SNA
7	DE65-20026A	HOLDER-WIRE	PA,NTR,LOCK-TWIST/ STAND/Y260STC/SSEC/ NYLON66	FRAME(BACK->TOP)	3	PC	SNA

MODEL CODE: WF8700LSV1/YAHService Bom (**SA**: SERVICE AVAILABLE, **SNA**: SERVICE NOT AVAILABLE)

Drawing No.	Code No.	Description	Specification	Inst point	QTY	Un	SA/SNA
1	DC61-00995C	HOLDER-WIRE	HEBA-PJT, NYLON,ID26,W6,L145,NTR, HEBA-PJT	BKT-L(R)+H-DRAIN(O)	1	PC	SA
2	DC61-40081A	HOLDER-WIRE	DAWH- 2NC,NYLON,NTR(PI18.5)	PLATE(L)+HOSE	1	PC	SNA
2	DC61-40081A	HOLDER-WIRE	DAWH- 2NC,NYLON,NTR(PI18.5)	WIRE(MAIN)+FRAME	3	PC	SNA
2	DC61-40081A	HOLDER-WIRE	DAWH- 2NC,NYLON,NTR(PI18.5)	BKT-SPRING(R)	4	PC	SNA
2	DC61-40081A	HOLDER-WIRE	DAWH- 2NC,NYLON,NTR(PI18.5)	BKT-L(R)+MAIN(WIRE)	1	PC	SNA
2	DC61-40081A	HOLDER-WIRE	DAWH- 2NC,NYLON,NTR(PI18.5)	PLATE(L)+PUMP WIRE	1	PC	SNA
3	DC61-40083A	HOLDER-WIRE	DAWH- 3ND,NYLON,NTR(PI25)/ NYLON66	FRAME+HOSE(O)	1	PC	SNA
3	DC61-40083A	HOLDER-WIRE	DAWH- 3ND,NYLON,NTR(PI25)/ NYLON66	WIRE(MAIN)+FRAME	1	PC	SNA
3	DC61-40083A	HOLDER-WIRE	DAWH- 3ND,NYLON,NTR(PI25)/ NYLON66	ASSY FRAME PLATE(U)	1	PC	SNA
4	DC61-00133A	CLAMPER HOSE- FIX	P1291,PP,ID24.5,OD29.5,HO SE+PLUG,BJ-730	FRM+H-DRAIN+P-CODE	1	PC	SNA
5	6502-000127	CABLE CLAMP	DAWH-18NB,ID15,- ,NYLON66,NTR	ASSY FRAME PLATE(U)	2	PC	SNA
6	DC61-00118A	CLAMPER HOSE- FIX	P1291,NYLON66,ID27,OD30	H-DRAIN(O)+FRAME	1	PC	SNA
7	DE65-20026A	HOLDER-WIRE	PA,NTR,LOCK-TWIST/ STAND/Y260STC/SSEC/ NYLON66	FRAME(BACK->TOP)	3	PC	SNA

5-9. PARTS LIST (SA/SC OTHER)

MODEL CODE: WF8802DPF1/XET

Service Bom (SA: SERVICE AVAILABLE, SNA: SERVICE NOT AVAILABLE)

Code No.	Description	Specification	Install. Point	QTY	Un	SA/ SNA
0103-002707	POLYURETHANE	UF-821 (S) A,V0,PUR	URETHANE-A	0.13	KG	SA
2401-003505	C-AL	10uF,20%,450V,GP,TP,10X20mm,5	CE4	1	PC	SA
3404-001354	SWITCH-TACT	12VDC,50mA,200gf,8x13mm,SPST	SW1	1	PC	SA
3404-001354	SWITCH-TACT	12VDC,50mA,200gf,8x13mm,SPST	SW10	1	PC	SA
3404-001354	SWITCH-TACT	12VDC,50mA,200gf,8x13mm,SPST	SW2	1	PC	SA
3404-001354	SWITCH-TACT	12VDC,50mA,200gf,8x13mm,SPST	SW3	1	PC	SA
3404-001354	SWITCH-TACT	12VDC,50mA,200gf,8x13mm,SPST	SW4	1	PC	SA
3404-001354	SWITCH-TACT	12VDC,50mA,200gf,8x13mm,SPST	SW5	1	PC	SA
3404-001354	SWITCH-TACT	12VDC,50mA,200gf,8x13mm,SPST	SW6	1	PC	SA
3404-001354	SWITCH-TACT	12VDC,50mA,200gf,8x13mm,SPST	SW7	1	PC	SA
3404-001354	SWITCH-TACT	12VDC,50mA,200gf,8x13mm,SPST	SW8	1	PC	SA
3404-001354	SWITCH-TACT	12VDC,50mA,200gf,8x13mm,SPST	SW9	1	PC	SA
3501-001180	RELAY-MINIATURE	12VDC,400MW,-,2FORMC,7MS,3MS	RELAY2	1	PC	SA
6002-000520	SCREW-TAPPING	TH,+,-,2,M4,L12,ZPC(WHT),SWRCH18A,-	PANEL-CONTROL+PCB	4	PC	SA
6002-000520	SCREW-TAPPING	TH,+,-,2,M4,L12,ZPC(WHT),SWRCH18A,-	CLAMP-HOSE+FRAME	1	PC	SA
6002-000445	SCREW-TAPPING	TH,+2,M4,L18,PASS,STS304	C/PANEL+H/DRAWER	2	PC	SA
6002-000471	SCREW-TAPPING	TH,+,-,1,M4,L12,PASS,STS304,-	BKT-HEATER+T-FRONT	2	PC	SA
6006-001174	SCREW-TAPPING	TH,+WE,2S,M4,L12,ZPC(WHT),SWRCH18A	P-CONTROL+F-PLATE(U)	3	PC	SA
6002-001327	SCREW-TAPPING	PWH,+1,M4,L12,ZPC(WHT),SWRCH18A	ASSY SHUTTER	4	PC	SA
6001-000592	SCREW-TAPTYPE	TH,+,-,M4,L8,ZPC(WHT),SWRCH18A,UP,-	WV(C)+FRAME	2	PC	SC
6003-000333	SCREW-TAPTYPE	RH,+,-,2S,M3,L10,ZPC(WHT),SWRCH18A,-	SCREW	2	PC	SA
DC97-15858A	ASSY SCREW	trumph-PJT,WF-F1061/YLP,SWRCH18A+EPOXY,wite	F-PLATE(U)+T/COVER	2	PC	SA
6009-001343	SCREW-SPECIAL	PH,TORX,M4,L10,ZPC(WHT),SWRCH18A,1,2BODY	P-CODE+FRAME	1	PC	SA
6002-001438	SCREW-HEX	HWH,+1,M5,L12,ZPC(WHT),SWRCH18A,SEPERATOR	TOP-COVER+FRAME	2	PC	SA
6009-001522	SCREW-HEX	HEX,+,-,M5,L16,PASS,STS430,FP,NYLOCK	HINGE+FRAME-FRONT	2	PC	SA
DC97-14006C	ASSY SCREW	GRIFFIN-PJT,WF9904RWE,SWRCH18A,M4*L16	-	1	PC	SA
6011-003934	ASSY BOLT	M7.6,L48,ZPC(WHT),SCM 435,WASHER	W-BALANCE+TUB	3	PC	SA

MODEL CODE: WF8804DPA1/XEO

Service Bom (SA: SERVICE AVAILABLE, SNA: SERVICE NOT AVAILABLE)

Code No.	Description	Specification	Install. Point	QTY	Un	SA/SNA
0103-002707	POLYURETHANE	UF-821 (S) A,V0,PUR	URETHANE-A	0.13	KG	SA
2401-003505	C-AL	10uF,20%,450V,GP,TP,10X20mm,5	CE4	1	PC	SA
3404-001354	SWITCH-TACT	12VDC,50mA,200gf,8x13mm,SPST	SW1	1	PC	SA
3404-001354	SWITCH-TACT	12VDC,50mA,200gf,8x13mm,SPST	SW10	1	PC	SA
3404-001354	SWITCH-TACT	12VDC,50mA,200gf,8x13mm,SPST	SW2	1	PC	SA
3404-001354	SWITCH-TACT	12VDC,50mA,200gf,8x13mm,SPST	SW3	1	PC	SA
3404-001354	SWITCH-TACT	12VDC,50mA,200gf,8x13mm,SPST	SW4	1	PC	SA
3404-001354	SWITCH-TACT	12VDC,50mA,200gf,8x13mm,SPST	SW5	1	PC	SA
3404-001354	SWITCH-TACT	12VDC,50mA,200gf,8x13mm,SPST	SW6	1	PC	SA
3404-001354	SWITCH-TACT	12VDC,50mA,200gf,8x13mm,SPST	SW7	1	PC	SA
3404-001354	SWITCH-TACT	12VDC,50mA,200gf,8x13mm,SPST	SW8	1	PC	SA
3404-001354	SWITCH-TACT	12VDC,50mA,200gf,8x13mm,SPST	SW9	1	PC	SA
3501-001180	RELAY-MINIATURE	12VDC,400MW,-,2FORMC,7MS,3MS	RELAY2	1	PC	SA
6002-000520	SCREW-TAPPING	TH,+,-,2,M4,L12,ZPC(WHT),SWRCH18A,-	PANEL-CONTROL+PCB	4	PC	SA
6002-000520	SCREW-TAPPING	TH,+,-,2,M4,L12,ZPC(WHT),SWRCH18A,-	CLAMP-HOSE+FRAME	1	PC	SA
6002-000445	SCREW-TAPPING	TH,+2,M4,L18,PASS,STS304	P-CONT+FAE+H-DRAWER	2	PC	SA
6002-000471	SCREW-TAPPING	TH,+,-,1,M4,L12,PASS,STS304,-	BKT-HEATER+T-FRONT	2	PC	SA
6006-001174	SCREW-TAPPING	TH,+WE,2S,M4,L12,ZPC(WHT),SWRCH18A	P-CONTROL+F-PLATE(U)	3	PC	SA
6002-001327	SCREW-TAPPING	PWH,+1,M4,L12,ZPC(WHT),SWRCH18A	PLATE-BOTTOM+FRAME	6	PC	SA
6001-000592	SCREW-TAPTYPE	TH,+,-,M4,L8,ZPC(WHT),SWRCH18A,UP,-	WV(C)+FRAME	2	PC	SC
6003-000333	SCREW-TAPTYPE	RH,+,-,2S,M3,L10,ZPC(WHT),SWRCH18A,-	SCREW	2	PC	SA
DC97-15858A	ASSY SCREW	trumph-PJT,WF-F1061/YLP,SWRCH18A+EPOXY,wite	F-PLATE(U)+T/COVER	2	PC	SA
6009-001343	SCREW-SPECIAL	PH,TORX,M4,L10,ZPC(WHT),SWRCH18A,1,2BODY	P-CODE+FRAME	1	PC	SA
6009-001476	SCREW-HEX	HEX,+M5,L10,ZPC(WHT),SWRCH18A,2		2	PC	SA
6009-001522	SCREW-HEX	HEX,+,-,M5,L16,PASS,STS430,FP,NYLOCK	HINGE+FRAME-FRONT	2	PC	SA
DC63-00985A	ABSORBER-SOUND	WF8604NHX/XEG,FELT t10,T10,W460,L300,GRAY,SOUND ABSORPTION	ASSY FRAME	2	PC	SA
DC97-14006C	ASSY SCREW	GRIFFIN-PJT,WF9904RWE,SWRCH18A,M4*L16	-	1	PC	SA
6011-003934	ASSY BOLT	M7.6,L48,ZPC(WHT),SCM 435,WASHER	W-BALANCE+TUB	3	PC	SA

MODEL CODE: WF8700LSV/YAH

Service Bom (SA: SERVICE AVAILABLE, SNA: SERVICE NOT AVAILABLE)

Code No.	Description	Specification	Install. Point	QTY	Un	SA/SNA
0103-002707	POLYURETHANE	UF-821 (S) A,V0,PUR	URETHANE-A	0.13	KG	SA
2401-003505	C-AL	10uF,20%,450V,GP,TP,10X20mm,5	CE4	1	PC	SA
3404-001354	SWITCH-TACT	12VDC,50mA,200gf,8x13mm,SPST	SW1	1	PC	SA
3404-001354	SWITCH-TACT	12VDC,50mA,200gf,8x13mm,SPST	SW10	1	PC	SA
3404-001354	SWITCH-TACT	12VDC,50mA,200gf,8x13mm,SPST	SW2	1	PC	SA
3404-001354	SWITCH-TACT	12VDC,50mA,200gf,8x13mm,SPST	SW3	1	PC	SA
3404-001354	SWITCH-TACT	12VDC,50mA,200gf,8x13mm,SPST	SW4	1	PC	SA
3404-001354	SWITCH-TACT	12VDC,50mA,200gf,8x13mm,SPST	SW5	1	PC	SA
3404-001354	SWITCH-TACT	12VDC,50mA,200gf,8x13mm,SPST	SW6	1	PC	SA
3404-001354	SWITCH-TACT	12VDC,50mA,200gf,8x13mm,SPST	SW7	1	PC	SA
3404-001354	SWITCH-TACT	12VDC,50mA,200gf,8x13mm,SPST	SW8	1	PC	SA
3404-001354	SWITCH-TACT	12VDC,50mA,200gf,8x13mm,SPST	SW9	1	PC	SA
3501-001180	RELAY-MINIATURE	12VDC,400MW,-,2FORMC,7MS,3MS	RELAY2	1	PC	SA
6002-000520	SCREW-TAPPING	TH,+,-,2,M4,L12,ZPC(WHT),SWRCH18A,-	PANEL-CONTROL+PCB	4	PC	SA
6002-000520	SCREW-TAPPING	TH,+,-,2,M4,L12,ZPC(WHT),SWRCH18A,-	CLAMP-HOSE+FRAME	1	PC	SA
6002-000445	SCREW-TAPPING	TH,+2,M4,L18,PASS,STS304	C/PANEL+H/DRAWER	2	PC	SA
6002-000471	SCREW-TAPPING	TH,+,-,1,M4,L12,PASS,STS304,-	BKT-HEATER+T-FRONT	2	PC	SA
6006-001174	SCREW-TAPPING	TH,+WE,2S,M4,L12,ZPC(WHT),SWRCH18A	P-CONTROL+F-PLATE(U)	3	PC	SA
6002-001327	SCREW-TAPPING	PWH,+1,M4,L12,ZPC(WHT),SWRCH18A	ASSY SHUTTER	4	PC	SA
6001-000592	SCREW-TAPTYPE	TH,+,-,M4,L8,ZPC(WHT),SWRCH18A,UP,-	W/V(C)+FRAME	2	PC	SC
6003-000333	SCREW-TAPTYPE	RH,+,-,2S,M3,L10,ZPC(WHT),SWRCH18A,-	SCREW	2	PC	SA
DC97-15858A	ASSY SCREW	trumph-PJT,WF-F1061/YLP,SWRCH18A+EPOXY,wite	F-PLATE(U)+T/COVER	2	PC	SA
6009-001343	SCREW-SPECIAL	PH,TORX,M4,L10,ZPC(WHT),SWRCH18A,1,2BODY	P-CODE+FRAME	1	PC	SA
6002-001438	SCREW-HEX	HWH,+1,M5,L12,ZPC(WHT),SWRCH18A,SEPERATOR	TOP-COVER+FRAME	2	PC	SA
6009-001522	SCREW-HEX	HEX,+,-,M5,L16,PASS,STS430,FP,NYLOCK	HINGE+FRAME-FRONT	2	PC	SA
DC97-14006C	ASSY SCREW	GRIFFIN-PJT,WF9904RWE,SWRCH18A,M4*L16	-	1	PC	SA
6011-003934	ASSY BOLT	M7.6,L48,ZPC(WHT),SCM 435,WASHER	W-BALANCE+TUB	3	PC	SA
DC97-14969C	ASSY COVER PCB	HEBA-PJT,COVER PCB(S) MID TYPE+PET,-,-,-	ASSY-COVER PCB	1	PC	SA

5-10.PARTS LIST (SCREW TYPE)

MODEL CODE: WF8802DPF1/XET

Service Bom (SA: SERVICE AVAILABLE, SNA: SERVICE NOT AVAILABLE)

Code No.	Description	Specification	QTY	Un	SA/ SNA
6002-000520	SCREW-TAPPING	TH,+,-,2,M4,L12,ZPC(WHT),SWRCH18A,-	11	PC	SNA
6002-001377	SCREW-TAPPING	TH,+ ,WS,-,M4,L10,ZPC3 (WHT),SWCH18AK,-	3	PC	SNA
6006-001174	SCREW-TAPPING	TH,+ ,WE,2S,M4,L12,ZPC(WHT),SWRCH18A	13	PC	SNA
6002-001327	SCREW-TAPPING	PWH,+ ,1,M4,L12,ZPC(WHT),SWRCH18A	5	PC	SNA
DE60-10080A	SCREW-TAPPING	PWH,+,-,2S,M5,L9,-,SWRCH18A,-	2	PC	SNA
6002-000471	SCREW-TAPPING	TH,+,-,1,M4,L12,PASS,STS304,-	4	PC	SNA
6009-001522	SCREW-HEX	HEX,+,-,M5,L16,PASS,STS430,FP,NYLOCK	2	PC	SNA
6003-000333	SCREW-TAPTYPE	RH,+,-,2S,M3,L10,ZPC(WHT),SWRCH18A,-	2	PC	SNA
6002-000444	SCREW-TAPPING	TH,+ ,2,M4,L14,PASS,STS430	14	PC	SNA
6002-000445	SCREW-TAPPING	TH,+ ,2,M4,L18,PASS,STS304	6	PC	SNA
6001-000592	SCREW-MACHINE	TH,+,-,M4,L8,ZPC(WHT),SWRCH18A,UP,-	2	PC	SNA
6002-001313	SCREW-HEX	HWH,+,-,M6.5,L25,ZPC(WHT),SWRCH18A,2,SERATION	3	PC	SNA
6002-001438	SCREW-TAPPING	HWH,+ ,1,M5,L12,ZPC(WHT),SWRCH18A,SEPERATOR	2	PC	SNA
6009-001343	SCREW-SPECIAL	PH,TORX,M4,L10,ZPC(WHT),SWRCH18A,1,2BODY	1	PC	SNA
DC60-40144A	BOLT-HEX	SM10C,L41,ZPC2(YEL),M10,ZPC2(YEL),DAMPER	2	PC	SA
6002-001436	SCREW-TAPPING	PH,+ ,2,M4,L18,ZPC(WHT),SWRCH18A	3	PC	SNA
DC97-14006C	ASSY SCREW	GRIFFIN-PJT,WF9904RWE,SWRCH18A,M4*L16	1	PC	SNA
6011-001675	BOLT-ETC	M4,L32,WHT,MSWR10A, Spring Washer	2	PC	SNA
DC60-40142B	BOLT-HEX	SEW-3HR105,SM10C,HEX,L114.5,-,M7,ZPC2(YEL),-,FIXER	1	PC	SNA
6002-000234	SCREW-TAPPING	TH,+ ,NO,2S,M4,L16,ZPC(WHT),SWRCH18A	4	PC	SNA
DC97-15858A	ASSY SCREW	trumph-PJT,WF-F1061/YLP,SWRCH18A+EPOXY,wite	2	PC	SNA
6011-003934	BOLT-HEX	M7.6,L48,ZPC(WHT),SCM 435,WASHER	9	PC	SNA
6009-001367	SCREW-HEX	HWH,+,-,M6.5,L32,ZPC(WHT),SWRCH18A,2,-	15	PC	SNA
6002-001006	SCREW-TAPPING	TH,+,-,2S,M4,L12,PASS,STS430,-	3	PC	SNA
DC60-40137A	BOLT-HEX	MARS-PJT,STS430,M8,-,P1.25,L30,-,HEX/KNURING	3	PC	SA
DC97-14263A	ASSY BOLT	HEBA-PJT,MOTOR/BOLT(M8)+WASHER(OD28.6),-,-,-,-	4	PC	SA
DC97-06080A	ASSY BOLT	SEW-3HR107,BOLT+WASHER,-,-,-,-	1	PC	SNA

MODEL CODE: WF8804DPA1/XEO

Service Bom (SA: SERVICE AVAILABLE, SNA: SERVICE NOT AVAILABLE)

Code No.	Description	Specification	QTY	Un	SA/ SNA
6002-000520	SCREW-TAPPING	TH,+,-,2,M4,L12,ZPC(WHT),SWRCH18A,-	12	PC	SNA
6002-001377	SCREW-TAPPING	TH,+,WS,-,M4,L10,ZPC3 (WHT),SWCH18AK,-	3	PC	SNA
6006-001174	SCREW-TAPPING	TH,+,WE,2S,M4,L12,ZPC(WHT),SWRCH18A	13	PC	SNA
6002-001327	SCREW-TAPPING	PWH,+,1,M4,L12,ZPC(WHT),SWRCH18A	7	PC	SNA
6002-000239	SCREW-TAPPING	TH,+,NO,2S,M4,L8,ZPC(WHT),SWRCH18A	2	PC	SNA
DE60-10080A	SCREW-TAPPING	PWH,+,-,2S,M5,L9,-,SWRCH18A,-	2	PC	SNA
6002-000471	SCREW-TAPPING	TH,+,-,1,M4,L12,PASS,STS304,-	4	PC	SNA
6009-001522	SCREW-HEX	HEX,+,-,M5,L16,PASS,STS430,FP,NYLOCK	2	PC	SNA
6003-000333	SCREW-TAPTYPE	RH,+,-,2S,M3,L10,ZPC(WHT),SWRCH18A,-	2	PC	SNA
6002-000444	SCREW-TAPPING	TH,+,2,M4,L14,PASS,STS430	14	PC	SNA
6002-000445	SCREW-TAPPING	TH,+,2,M4,L18,PASS,STS304	6	PC	SNA
6001-000592	SCREW-MACHINE	TH,+,-,M4,L8,ZPC(WHT),SWRCH18A,UP,-	2	PC	SNA
6002-001313	SCREW-HEX	HWH,+,-,M6.5,L25,ZPC(WHT),SWRCH18A,2,SERATION	3	PC	SNA
6002-001438	SCREW-TAPPING	HWH,+,1,M5,L12,ZPC(WHT),SWRCH18A,SEPERATOR	2	PC	SNA
6009-001343	SCREW-SPECIAL	PH,TORX,M4,L10,ZPC(WHT),SWRCH18A,1,2BODY	1	PC	SNA
DC60-40144A	BOLT-HEX	SM10C,L41,ZPC2(YEL),M10,ZPC2(YEL),DAMPER	2	PC	SA
6002-001436	SCREW-TAPPING	PH,+,2,M4,L18,ZPC(WHT),SWRCH18A	3	PC	SNA
DC97-14006C	ASSY SCREW	GRIFFIN-PJT,WF9904RWE,SWRCH18A,M4*L16	2	PC	SNA
6011-001675	BOLT-ETC	M4,L32,WHT,MSWR10A,Spring Washer	2	PC	SNA
DC60-40142B	BOLT-HEX	SEW-3HR105,SM10C,HEX,L114.5,-,M7,ZPC2(YEL),-,FIXER	1	PC	SNA
6002-000234	SCREW-TAPPING	TH,+,NO,2S,M4,L16,ZPC(WHT),SWRCH18A	4	PC	SNA
DC97-15858A	ASSY SCREW	trumph-PJT,WF-F1061/YLP,SWRCH18A+EPOXY,wite	2	PC	SNA
6011-003934	BOLT-HEX	M7.6,L48,ZPC(WHT),SCM 435,WASHER	9	PC	SNA
DC97-14263A	ASSY BOLT	HEBA-PJT,MOTOR/BOLT(M8)+WASHER(OD28.6),-,-,-,-	4	PC	SA
6009-001367	SCREW-HEX	HWH,+,-,M6.5,L32,ZPC(WHT),SWRCH18A,2,-	15	PC	SNA
DC97-06080A	ASSY BOLT	SEW-3HR107,BOLT+WASHER,-,-,-,-	1	PC	SNA
6002-001006	SCREW-TAPPING	TH,+,-,2S,M4,L12,PASS,STS430,-	3	PC	SNA
DC60-40137A	BOLT-HEX	MARS-PJT,STS430,M8,-,P1.25,L30,-,-,HEX/KNURING	3	PC	SA

MODEL CODE: WF8700LSV/YAH

Service Bom (SA: SERVICE AVAILABLE, SNA: SERVICE NOT AVAILABLE)

Code No.	Description	Specification	QTY	Un	SA/ SNA
6002-000444	SCREW-TAPPING	TH,+ ,2,M4,L14,PASS,STS430	14	PC	SNA
6002-000520	SCREW-TAPPING	TH,+ ,-,2,M4,L12,ZPC(WHT),SWRCH18A,-	10	PC	SNA
6011-003934	BOLT-HEX	M7.6,L48,ZPC(WHT),SCM 435,WASHER	9	PC	SNA
DC97-14263A	ASSY BOLT	HEBA-PJT,MOTOR/BOLT(M8)+WASHER(OD28.6),-,-,-,-	4	PC	SA
6009-001367	SCREW-HEX	HWH,+ ,-,M6.5,L32,ZPC(WHT),SWRCH18A,2,-	15	PC	SNA
DC97-06080A	ASSY BOLT	SEW-3HR107,BOLT+WASHER,-,-,-,-	1	PC	SNA
6002-001006	SCREW-TAPPING	TH,+ ,-,2S,M4,L12,PASS,STS430,-	3	PC	SNA
DC60-40137A	BOLT-HEX	MARS-PJT,STS430,M8,-,P1.25,L30,-,-,HEX/KNURING	3	PC	SA
6002-001377	SCREW-TAPPING	TH,+ ,WS,-,M4,L10,ZPC3 (WHT),SWCH18AK,-	3	PC	SNA
6002-000471	SCREW-TAPPING	TH,+ ,-,1,M4,L12,PASS,STS304,-	4	PC	SNA
6006-001174	SCREW-TAPPING	TH,+ ,WE,2S,M4,L12,ZPC(WHT),SWRCH18A	11	PC	SNA
6002-001327	SCREW-TAPPING	PWH,+ ,1,M4,L12,ZPC(WHT),SWRCH18A	4	PC	SNA
DE60-10080A	SCREW-TAPPING	PWH,+ ,-,2S,M5,L9,-,SWRCH18A,-	2	PC	SNA
6001-000592	SCREW-MACHINE	TH,+ ,-,M4,L8,ZPC(WHT),SWRCH18A,UP,-	2	PC	SNA
6002-000445	SCREW-TAPPING	TH,+ ,2,M4,L18,PASS,STS304	6	PC	SNA
6002-001438	SCREW-TAPPING	HWH,+ ,1,M5,L12,ZPC(WHT),SWRCH18A,SEPERATOR	2	PC	SNA
6009-001343	SCREW-SPECIAL	PH,TORX,M4,L10,ZPC(WHT),SWRCH18A,1,2BODY	1	PC	SNA
DC60-40144A	BOLT-HEX	SM10C,L41,ZPC2(YEL),M10,ZPC2(YEL),DAMPER	2	PC	SA
6002-001436	SCREW-TAPPING	PH,+ ,2,M4,L18,ZPC(WHT),SWRCH18A	3	PC	SNA
DC97-14006C	ASSY SCREW	GRIFFIN-PJT,WF9904RWE,SWRCH18A,M4*L16	1	PC	SNA
6011-001669	BOLT-HEX	M7,L160,ZPC2,SCM435,TAPPING	1	PC	SNA
DC97-15858A	ASSY SCREW	trumph-PJT,WF-F1061/YLP,SWRCH18A+EPOXY,wite	2	PC	SNA
6009-001522	SCREW-HEX	HEX,+ ,-,M5,L16,PASS,STS430,FP,NYLOCK	2	PC	SNA
6003-000333	SCREW-TAPTYPE	RH,+ ,-,2S,M3,L10,ZPC(WHT),SWRCH18A,-	2	PC	SNA

MEMO
