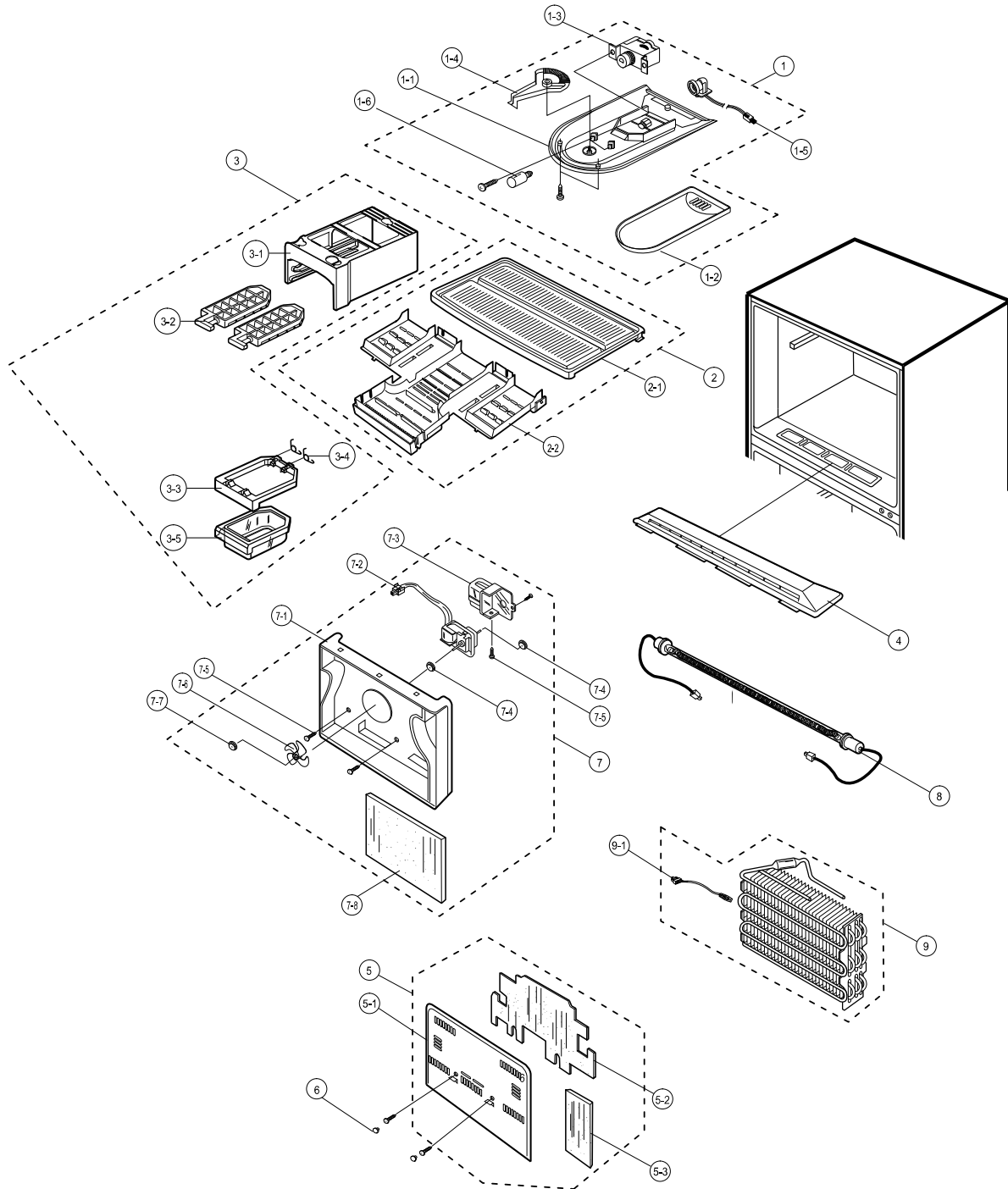


7. Exploded View and Parts List

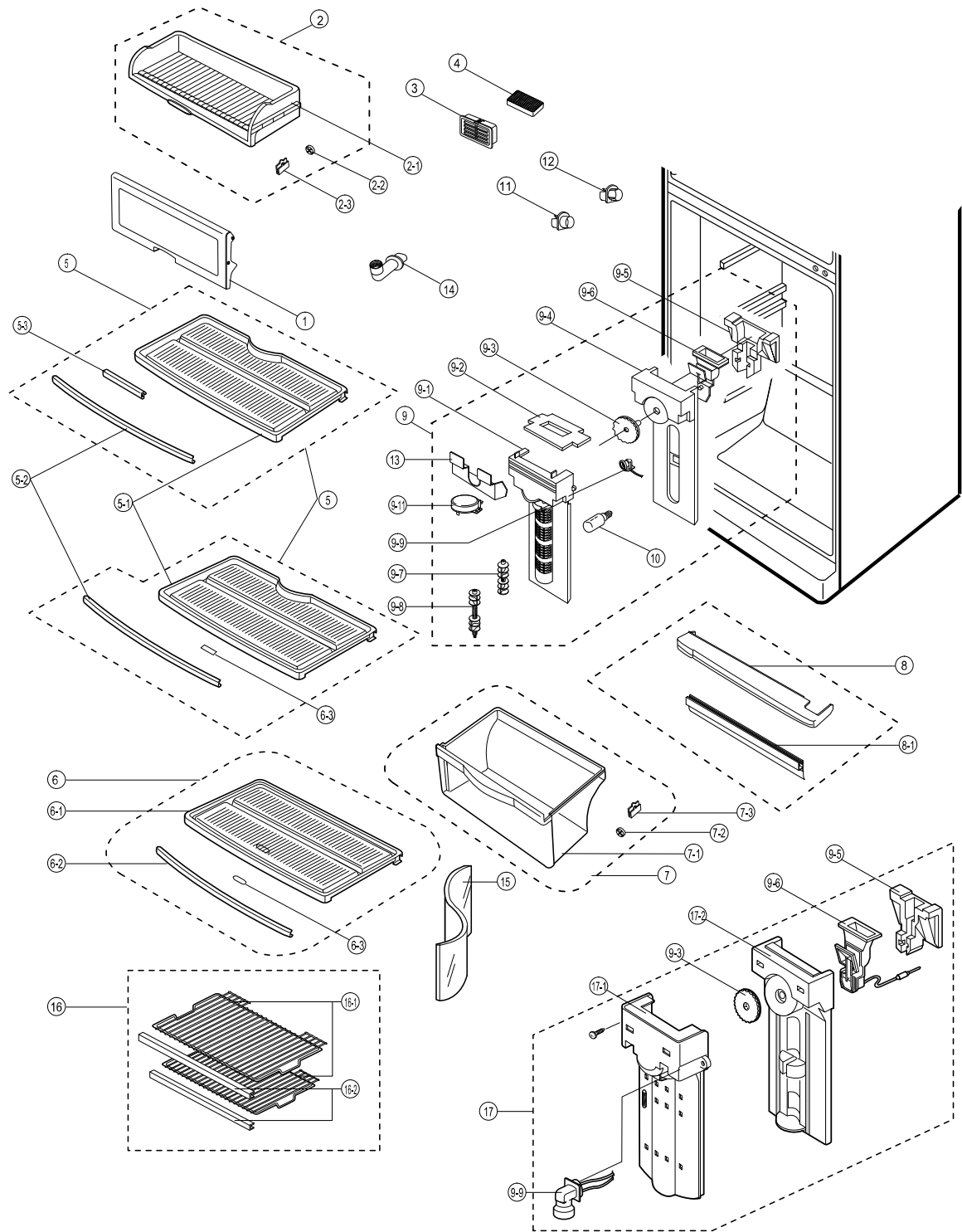
7-1 Freezer



NO		SRG-V57 (SRG-V52)	SR-V57 (SR-V52)	DESCRIPTION	SPECIFICATION	OPTION Q'TY			REMARKS
		NON-CFC	CFC			H	M	L	
		CODE-NO							
1	⚠	DA67-10410D		CASE-THERMO, FRE ASS'Y	110V/60Hz			1 ^{SET}	
	⚠	DA67-10410B		"	220V/50, 60Hz			1 ^{SET}	
	⚠	DA67-10410C		"	240V/50Hz			1 ^{SET}	
1-1		DA67-10119		CASE-THERMO, FRE	ABS			1	
1-2		DA63-10337C		COVER-LAMP, FRE	MIPS			1	
1-3		DA47-10107F		THERMOSTAT	PFN 174S O5B			1	
1-4		DA66-30122B		LEVER-THERMO, FRE	PC/ABS			1	
1-5		DA47-40112L		LAMP-HOLDER	E14			1	
1-6	⚠	4713-000178		LAMP	110V/15W			1	
	⚠	4713-000188		"	220V/15W			1	
	⚠	4713-000213		"	240V/15W			1	
2		DA67-20166E		SHELF-FRE, ASS'Y	GPPS			1 ^{SET}	
2-1		DA67-20132A		SHELF-FRE	GPPS			1	
2-2		DA67-20274A		SHELF-FRE(SB)	P.P WHT			1	
3		DA67-40313A		TRAY-ICE, ASS'Y	HIPS + P.P			1 ^{SET}	
3-1		DA71-70160A		GUIDE-TRAY ICE	HIPS			1	
3-2		DA67-40180A		TRAY-ICE(A)	P.P			2	
3-3		DA67-10126A		CASE-TRAY, ICE	HIPS			1	
3-4		DA67-20119A		SPRING-ICE	PI1.° L162.6			2	
3-5		DA67-10210A		TRAY-ICE, CUBE(A)	GPPS			1	
4		DA63-10886A		COVER-AIR, FRE	HIPS			1	
5		DA63-10884B		COVER-EVAP, FRE, ASS'Y	HIPS			1 ^{SET}	
5-1		DA63-10885A		COVER-EVAP, FRE	HIPS			1	
5-2		DA72-60369A		SEAL-COVER, EVAP FRE.A				1	
5-3		DA72-60049A		SEAL-FOAM, PE				1	
6		DA67-30218B		CAP-SCREW	P.P			2	
7	⚠	DA63-10887C		ASS'Y-COVER EVAP. FRE(RE)	110V			1 ^{SET}	
	⚠	DA63-10887D		"	220V			1 ^{SET}	
	⚠	DA63-10887B		"	240V			1 ^{SET}	
7-1		DA63-10888A		COVER-EVAP, FRE(RE)	P.P			1	
7-2	⚠	DA31-10109H		MOTOR-FAN	AMRHB-010ZQEA			1	110V/60Hz
	⚠	DA31-10109G		"	AMRHB-010WTEA			1	220V/50, 60Hz
	⚠	D731-10109J		"	AMRHB-010UVEA			1	240V/50Hz

NO		SRG-V57 (SRG-V52)	SR-V57 (SR-V52)	DESCRIPTION	SPECIFICATION	OPTION Q'TY			REMARKS
		NON-CFC	CFC			H	M	L	
		CODE-NO							
7-3		DA63-10364A		COVER-MOTOR, FAN	P.P		1		
7-4		DA63-40119A		GROMMET-FAN, MOTOR	NBR		2		
7-5		6002-000224		SCREW-TAP	TH2, 4X12		2		
7-6		DA31-20002A		FAN			1		
7-7		DA61-20128C		SPRING-FAN	STS 27 ID7.6		1		
8	⚠	DA47-20195C		HEATER-DEFROST	110V/155W		1		
	⚠	DA47-20195E		"	220V/155W		1		
	⚠	DA47-20195B		"	240V/155W		1		
9	⚠	DA59-40200A		EVAP-ASS'Y	AL		1 ^{SET}		
9-1	⚠	DA47-10103		BIMETAL-THERMO	AC250V/5A		1		

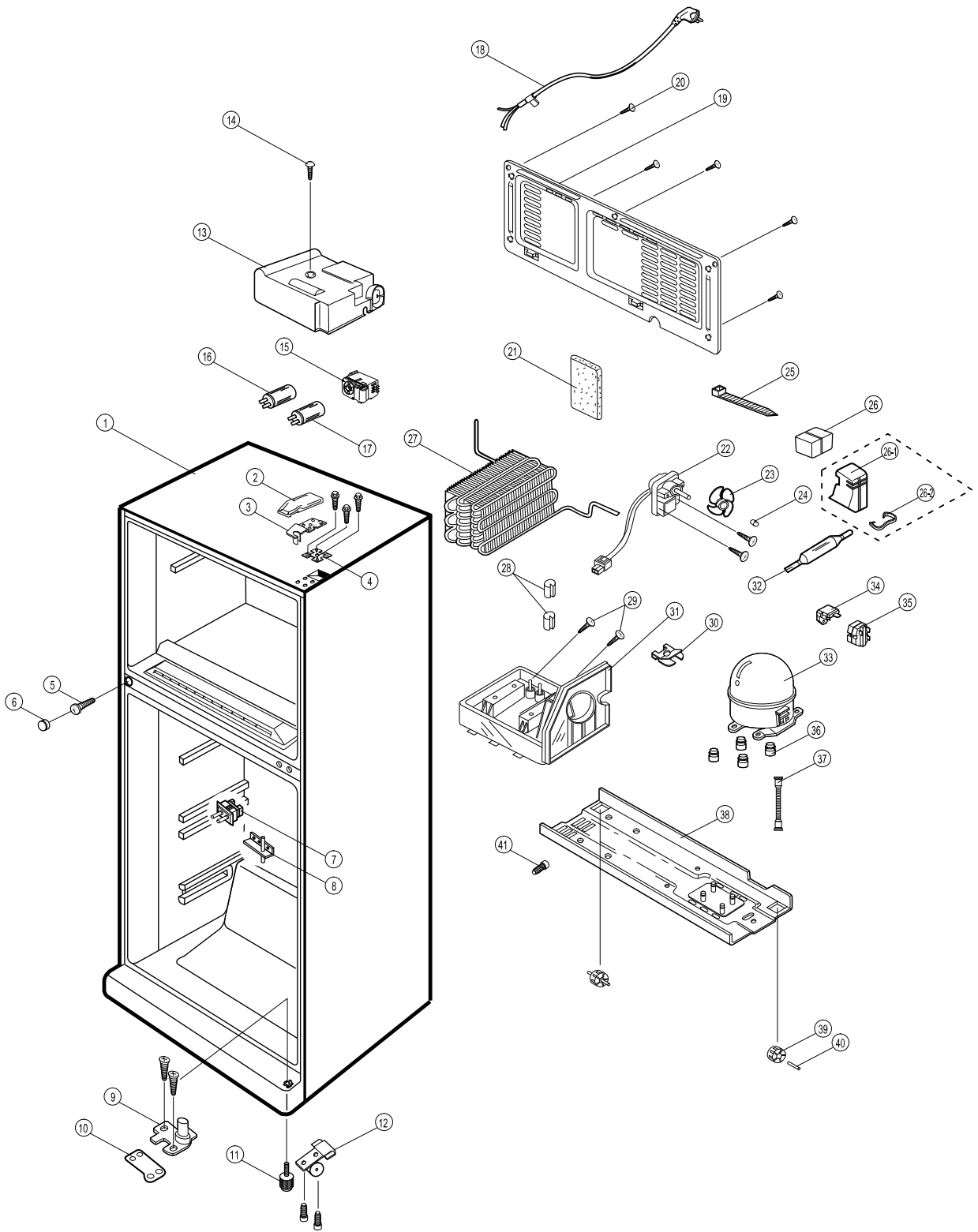
7-2 Refrigeration room



NO	SRG-V57 (SRG-V52)	SR-V57 (SR-V52)	DESCRIPTION	SPECIFICATION	OPTION Q'TY			REMARKS
	NON-CFC	CFC			H	M	L	
	CODE-NO							
1	DA63-10238A		COVER CHILLED-ROOM ASS'Y	HIPS + P.P	1 ^{SET}			
2	DA67-40286A		TRAY CHILLED-ROOM ASS'Y	HIPS	1 ^{SET}			
2-1	DA67-40285A		TRAY CHILLED ROOM	GPPS	1			
2-2	DA66-10104A		ROLLER FREE	POM	4			
2-3	DA71-20145A		FIXER ROLLER	NY-66	2			
3	DA63-10461B		CAP-PURIFIER	ABS 87068 B LF. LG	1			
4	DA62-90106B		CATALYST-LTC	W40 L70 AKH 12SLB	1			
5	DA67-20166C		SHELF-REF ASS'Y	GPPS + AL	2 ^{SET}	2 ^{SET}	-	
5-1	DA67-20132C		SHELF REF	GPPS	2	2	-	
5-2	DA64-20114A		TRIMMER-SHELF. REF	AL	2	2	-	
5-3	DA64-20112A		TRIMMER SHELF	PE,NTR,L50	8	8	-	
6	DA67-20273B		SHELF-REF LOW ASS'Y	GPPS + AL	1 ^{SET}			
6-1	DA67-20272A		SHELF-REF. LOW	GPPS CRYSTAL	1			
6-2	DA64-20114A		TRIMMER-SHELF REF	AL	1			
6-3	DA68-50153D		INLAY-COVER, VEGE	PET	1			
7	DA67-10397B		CASE-VEG. ASS'Y					
7-1	DA67-10396A		CASE-VEG	GPPS	1			
7-2	DA66-10104A		ROLLER FREE	POM	4			
7-3	DA71-20145A		FIXER ROLLER	NY-66	4			
8	DA63-10882A		COVER.LEG FRONT	ABS	1			
8-1	DA64-20138C		TRIM-PLATE ABSORB	PVC	1			
9	DA63-10889D		COVER-DUCT, ASS'Y	110V	1 ^{SET}	-	-	
	(DA63-10889J)							
	DA63-10889C		COVER-DUCT, ASS'Y	220V~240V	1 ^{SET}	-	-	
	(DA63-10889H)							
9-1	DA63-10881B		COVER-DUCT	HIPS, SC-93437R	1	-	-	
9-2	DA72-60253B		SEAL-M/F	T10 X W83 X L234	1			
9-3	DA64-40141H		KNOB-D/P, THERMO	ABS	1	1	-	
	(DA64-40414K)							
9-4	DA72-40436A		INS-DAMPER(A)	FOAM-PS	1	-	-	
9-5	DA72-40439A		INS-DAMPER(B)	"	1			
9-6	DA67-10264D		CASE-THERMO, ASS'Y	220-SB 705-E9C	1			

NO		SRG-V57 (SRG-V52)	SR-V57 (SR-V52)	DESCRIPTION	SPECIFICATION	OPTION Q'TY			REMARKS
		NON-CFC	CFC			H	M	L	
		CODE-NO							
9-7		DA31-20124D		BLADE-DAMPER(A)	HIPS	1	-	-	
9-8		DA31-20124C		BLADE-DAMPER(B)	HIPS	1	-	-	
9-9		DA47-40114C		LAMP-HOLDER	250V/1A	1			
9-10		DA60-40104B		WASHER-PLAIN	T1.0	1	-	-	
9-11	⚠	DA31-10107E		MOTOR-GEARED	M2BC18AR02	1	-	-	110V
	⚠	DA31-10107D		"	M2LC18AR02	1	-	-	220~240V
10	⚠	4713-000178		LAMP	110V/15W	2			
	⚠	4713-000188		"	220V/15W	2			
	⚠	4713-000213		"	240V/15W	2			
16		DA67-20179P		WIRE-SHELF, REF ASS'Y	MSWR+PVC	-	-	2	
16-1		DA67-20285A		WIRE-SHELF, REF	MSWR+PE COAT.	-	-	2	
16-2		DA64-20150Q		TRIM-SHELF	PVC	-	-	2	
17		DA63-10970C		ASS'Y-DUCT, REF(MID)		-	1 ^{SET}	-	MULTI-FLOW
17-1		DA63-10921A		COVER-DUCT	HIPS	-	1	1	"
17-2		DA72-40450A		INS-DAMPER(A)	FOAM-PS	-	1	1	"
17		DA63-10970A		ASS'Y-DUCT, REF(LOW)		-	-	1 ^{SET}	"
9-3		DA64-40141J		KNOB-D/P, THERMO	ABS	-	-	1	"
17		(DA63-10970B)		ASS'Y-DUCT, REF(M, L)		-	1 ^{SET}	1 ^{SET}	[SR(G)-519]
9-3		(DA64-40104L)		KNOB-D/P, THERMO	ABS	-	1	1	"

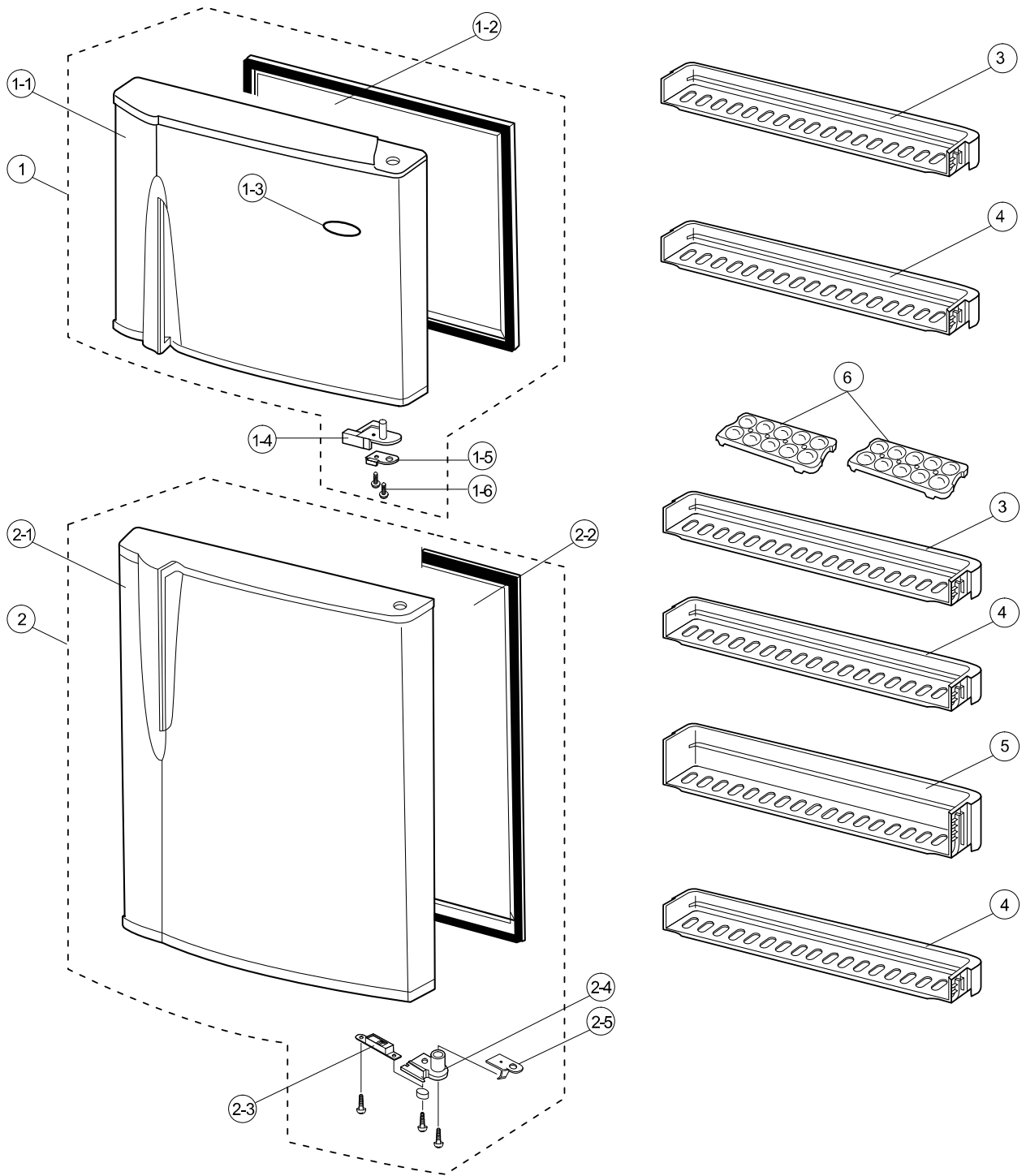
7-3 Cabinet Parts & Unit



NO		SRG-V57 (SRG-V52)	SR-V57 (SR-V52)	DESCRIPTION	SPECIFICATION	OPTION Q'TY			REMARKS
		NON-CFC	CFC			H	M	L	
		CODE-NO							
1		DA90-10172E		ASS'Y-CABI, FOAM	110V			1 ^{SET}	
		DA90-10172C		"	220V			1 ^{SET}	
		DA90-10172D		"	240V			1 ^{SET}	
2		DA63-10399A		COVER-HINGE, UPP	HIPS			1	
3		DA61-10151A		HINGE-UPP	SHP1 T3.2			1	
4		DA63-50145A		SHIM-HINGE UPP	RD-PVC T1.0			1	
5		DA60-10004A		SCREW-TAP	PH M5 L10			1	
6		DA67-30218B		CAP-SCREW	P.P			1	
7	⚠	DA34-10122C		SWITCH-DOOR	250V/0.7A			1	
8		DA61-10146A		HINGE-MID, ASS'Y				1	
9		DA61-10145A		HINGE-LOW	SHP1 T3.6			1	
10		DA63-50146A		SHIM-HINGE, LOW				3	
11		DA61-30103A		LEG-FRONT	P.P ZPC2			2	
12		DA61-40110A		ASS'Y-MOVING CASTER				2	
13		DA67-10398A		CASE-JUNCTION	P.P(HF21 V0)			1	
14		6002-000213		SCREW-TH	TH1, 4 X12			1	
15	⚠	DA45-10003F		TIMER-DEFROST	110V/60Hz			1	
	⚠	DA45-10003E		"	220V~240V			1	
16	⚠	2401-000511		CAPACITOR-RUNNING	12.0μF/250VAC			1	110V, 115V
	⚠	2501-000401		"	5μF/350VAC			1	220V, 240V
17	⚠	2501-000275		CAPACITOR-STARTING	125μF/125VAC			1	110V
	⚠	2501-000422		"	100μF/125VAC			1	115V
18	⚠			POWER-CORD				1	Buyer option
19		DA63-10243B		COVER-COMP, ASS'Y				1 ^{SET}	
20		6002-000213		SCREW	TH 4X12			5	
21		DA72-60019A		SEAL-ABSORB				1	
22	⚠	DA31-10110G		MOTOR-CIRCUIT	110V/60Hz			1	
	⚠	DA31-10110F		"	220V/50, 60Hz			1	
	⚠	DA31-10110H		"	240V/50Hz			1	
23		DA31-20102A		FAN	ABS ø120			1	
24		DA61-20128A		SPRING-FAN	STS 27			1	
25		DA67-30218B		CABLE-TIE	Ny66			1	
26		DA63-10341A		COVER RELAY	NORYL			1	

NO		SRG-V57 (SRG-V52)	SR-V57 (SR-V52)	DESCRIPTION	SPECIFICATION	OPTION Q'TY			REMARKS
		NON-CFC	CFC			H	M	L	
		CODE-NO							
26-1		DA63-10722A		COVER-RELAY	NORYL		1		SD362C ONLY
26-2		DA65-20113A		CLAMP-RELAY COVER	STC5		1		SD362C ONLY
27		DA73-10314B		PIPE-SUB, COND ASS'Y			1 ^{SET}		
28		DA63-40128A		GROMMET-SUB, COND	NR		2		
29		DA60-10105A		SCREW-TAPPING	PH 4X20		2		
30		DA65-20101A		CLAMP-COMP	STC5 T0.6		2		
31		DA67-40176B		TRAY-DRAIN, WATER ASS'Y	P.P		1 ^{SET}		
32		DA73-30102A		DRYER	CU O, D18.85, L119		1		
33	⚠	SK170E-L2W		COMPRESSOR	110V/60Hz		1 ^{SET}		NON-CFC
	⚠	SK182H-L2U		"	220V/50Hz		1 ^{SET}		"
	⚠	SK182Q-L2U		"	240V/50Hz		1 ^{SET}		"
	⚠	SD362C-L2W2		"	115V/60Hz		1 ^{SET}		CFC
	⚠	SK370H-L2U		"	220V/50, 60Hz		1 ^{SET}		"
	⚠	SK370Q-L2U		"	240V/50Hz		1 ^{SET}		"
34	⚠	DA34-10003P		O/L-PROTECTOR	4TM444NHBY-53		1		(110V/60Hz) NON-
	⚠	DA34-10003N		"	4TM308PHBY-53		1		CFC
	⚠	DA34-10003K		"	4TM232SHBY-53		1		(220V/50Hz) NON-
	⚠	DA34-10004G		"	4TM419NHBY-53		1		CFC
	⚠	DA34-10003M		"	4TM293SHBY-53		1		(240V/50Hz) NON-
35	⚠	DA35-10002C		PTC-RELAY	912X32E100MQ 16APE3		1		CFC
	⚠	DA35-10003L		"	PTHAS-T220M 350D		1		(115V/60Hz) CFC
	⚠	DA35-10002D		"	912X35E330MT 20APE2		1		(220V/50, 60Hz) CFC
36		DA63-40128A		GROMMET-COMP.	NBR BLCK		4		110, 115V/60Hz
37		DA73-30131A		HOSE-DRAIN(SUB)	LDPE		1		220V/50, 60Hz
38		DA71-60183A		CHASSIS-COMP.	SBHG1 T1.2		1		240V/50Hz
39		DA61-40101A		CASTER-REAR			2		
40		DA60-90101A		RIVET-CASTER	MSWR 10		1		
41		DA60-10107A		SCREW-EARTH	M4X10		1		

7-4 Door parts



NO	SRG-V57	SR-V57	DESCRIPTION	SPECIFICATION	OPTION			REMARKS
	(SRG-V52)	(SR-V52)			Q'TY			
	NON-CFC	CFC			H	M	L	
CODE-NO								
1	DA91-10250A		ASS'Y FOAM DOOR FRE				1	OPTION
	(DA91-10250C)							
1-1	DA70-10282A		PLATE DOOR FRE	CR			1	
1-2	DA72-20183A		PANEL-DOOR FREE	ABS+SAN			1	
1-3	DA68-50118B		INLAY-MASCOT				1	
	(DA68-50118T)							
1-4	DA71-40119A		STOPPER DOOR FRE	POM			1	
1-5	DA71-40133A		STOPPER DOOR. C	SCP1 T2.0			1	
1-6	6001-000061		SCREW. TAP TH	M 4X12 STS 304			2	
2	DA91-10251C		ASS'Y FOAM DOOR REF				1	
	(DA91-10251D)							
2-1	DA71-10005B		PLATE DOOR REF	SCP1 T0.8			1	
	(DA70-10282B)							
2-2	DA72-20183B		PANEL	ABS+SAN			1	
	(DA72-20183C)							
2-3	DA66-90111C		ASS'Y-AUTO CLOSE				1	
2-4	DA63-40118B		GROMMET-HINGE. MID				1	
2-5	DA71-40135A		STOPPER-MID	STS304 T2.0			1	
3	DA63-20123F		GUARD FRE (UP)	GPPS			3	
4	DA63-20124F		GUARD FRE (LW)	GPPS			2	
5	DA63-20125F		GUARD BOTTLE (A)	GPPS			1	
6	DA67-40157A		TRAY EGG	GPPS			2	