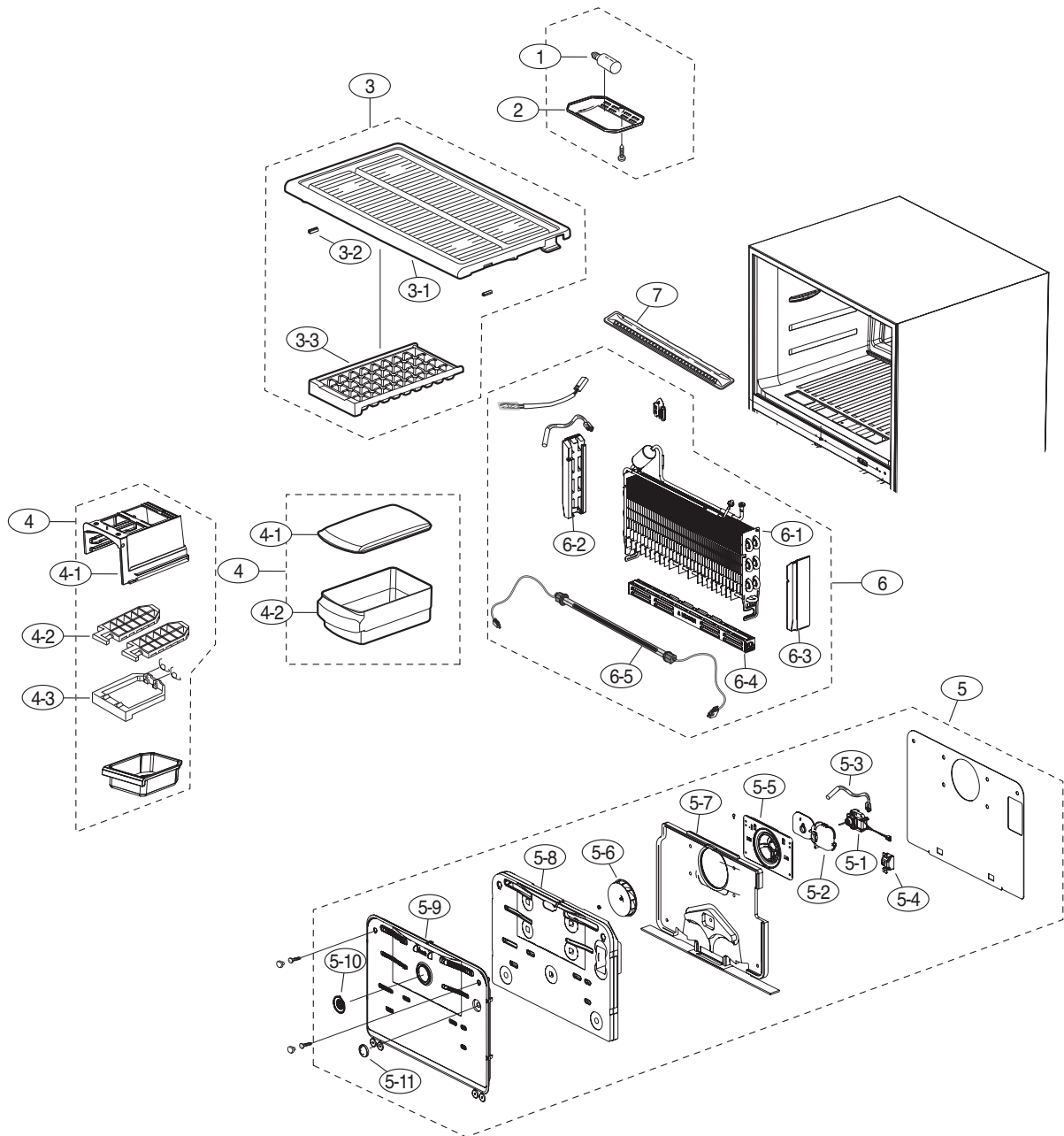


# 5. EXPLODED VIEW PART LIST

## 5-1. Freezer (Mechanical Type) - Bulb Type



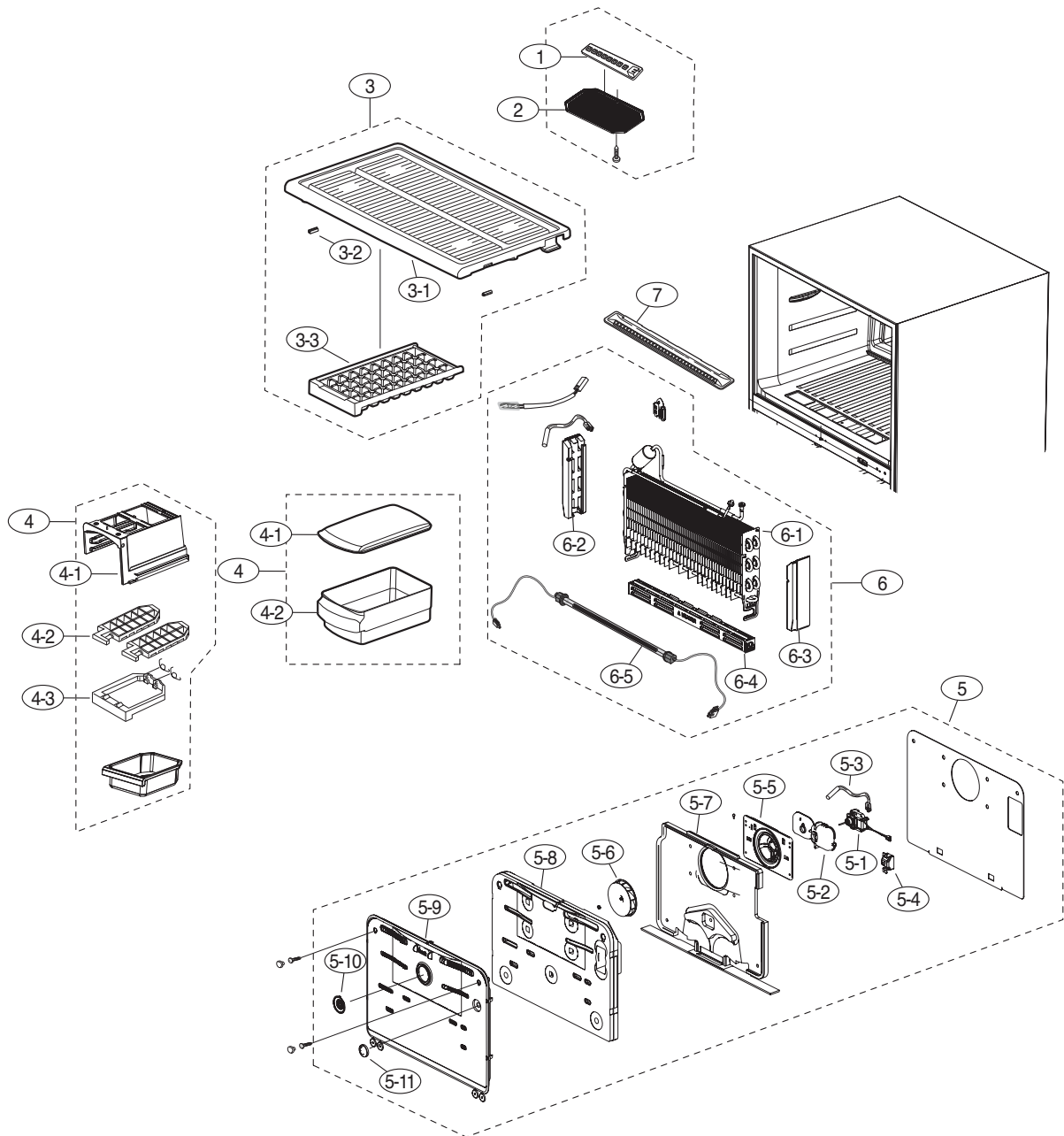
## 5. EXPLODED VIEW PART LIST

### • Parts List of Freezer

NO	CODE-NO	PART NAME	SPECIFICATION	Q'TY	SA/SNA	REMARK
1	4713-001189	LAMP-INCANDESCENT	240V, 30W, 25x84mm	1	SA	RT63/59
2	DA63-02140A	COVER LAMP-FRE	TD,PP,,-,-,-,-,-,-,-,-,-,-	1	SA	RT63/59
3	DA97-05962A	ASSY SHELF-FRE	TD-50/48,	1	SA	
	DA97-05963A		TD-42/39,	1	SA	
3-1	DA67-01057A	SHELF FRE	TD,GPPS,NTR	1	SA	
	DA67-01096A		TD-42,GPPS,-,W321.8,L583.6,-,			
3-2	DA64-20194B	TRIM-SHELF	SR-51/55/59/64,PE,-,T1.0,-,NTR,	2	SA	
3-3	DA67-40148N	TRAY-ICE	S-PJT,PP,,-,-,-,-,-,SC-02740R,COOL WHT	1	SA	
4	DA97-00974A	ASSY TRAY-ICE CUBE	VH-PJT,,-,-,-,-,-,-,-,-,-,-,-	1	SA	
4-1	DA63-10390C	COVER-CASE ICE	VH-PJT,GPPS,-,-,-,-,-,-,-,-,-,-	1	SA	
4-2	DA67-10209C	CASE-ICE CUBE	ABS,-,VH-PJT,,-,-,-,-,-,-,-,-,-	1	SA	
4	DA97-05721A	ASSY-TRAY ICE	TD-PJT,,-,-,-,-,-,-,-,-,-,-,-	1	SA	RT50MMSM1XTL
4-1	DA61-02896B	GUIDE TRAY-ICE	TD-PJT,PP,,-,-,-,-,WHITE,-	1	SA	
4-2	DA63-02173A	TRAY ICE	VH-32,36,PP,,-,-,-,-,SC-02740R,COOL WHITE	2	SA	
4-3	DA61-02895F	CASE-TRAY ICE	TD-PJT,PP,,-,-,-,-,WHITE,-	1	SA	
4-4	DA61-03299B	CASE-ICE CUBE	TD-PJT,PP(BJ-730),-,W166.3,L215,COOL-WHT,-	1	SNA	
5	DA97-07270A	ASSY COVER-EVAP FRONT	TD42/39,PP,,-,-,-,-,MACH,COOL WHITE,220-240V	1	SA	RT54,50M*
	DA97-07268A		TD51/48,PP,,-,-,-,-,MACH,COOL WHITE,220-240V	1	SA	RT63/59M*
5-1	DA31-00103M	MOTOR FAN-AC	IS-27213SNC7E,TD09,-,50/60Hz,-,220~240V,1750/1450,50,60Hz,AC 230V,-,-,	1	SA	
5-2	DA63-01283C	COVER-MOTOR	AD,PP,,-,-,-,-,-,NTR,AC,FH21	1	SA	
5-3	DA32-00011E	SENSOR TEMP-F SENSOR	PX-41C,TD-PJT,-,40~110 °C,5V,-,-,-,F SENSOR,YELLOW,700MM	1	SA	
5-4	DA41-00471A	PBA-ROTARY S/W	BALLY 2,-,CEM-1,-,-,-,-,-,-,-,-,-,-	1	SA	
5-5	DA61-05013A	SUPPORT-MOTOR FRE	TD09,ABS,-,-,-,-,-,-,NTR,	1	SA	
5-6	DA31-00233A	FAN	TWIN-PJT,ABS,HG-0760H, Cream white	1	SNA	
5-7	DA62-02099A	INSULATION EVAP-REAR	TD42/39,FOAM-PS,-,-,-,-,-,-,-,-,-,-	1	SNA	
	DA62-02098A		TD51/48,FOAM-PS,-,-,-,-,-,-,-,-,-,-			
5-8	DA62-02096A	INSULATION EVAP-FRONT	TD51/48,FOAM-PS,-,-,-,-,-,-,-,-,-,-	1	SNA	
	DA62-02097A		TD42/39,FOAM-PS,-,-,-,-,-,-,-,-,-,-			
5-9	DA63-04801A	COVER EVAP-FRONT	TD51/39,PP,T1.8,-,-,-,-,-,COOL WHITE,	1	SA	
	DA63-04802A		TD42/39,PP,T1.8,-,-,-,-,-,COOL WHITE,			
5-10	DA63-02131B	COVER-COOL	TD09-PJT,ABS,-,-,-,-,-,-,VIOLET BLUE,SC-97538R	1	SA	
5-11	DA64-01212C	KNOB-THERMO FRE	TD-PJT,ABS,-,-,-,-,-,-,COOL-WHITE,-,SC-02740R	1	SA	
6	DA96-00540A	ASSY EVAP-FRE	TD51/48,PIN,-,-,-,220V-240V,-,180W,-,	1	SA	RT63/59
	DA96-00541A		TD42/39,PIN,-,-,-,220V-240V,-,180W,-,			RT54/50
6-1	DA59-00385A	EVAP FRE	TD51/48,PIN,-,-,-,220V-240V,-,180W,-,-,	1	SA	RT63/59
	DA59-00386A		TD42/39,PIN,-,-,-,220V-240V,-,180W,-,-,			RT54/50
6-2	DA60-00111A	SPACER-EVAP,L	TD-PJT,FOAM-PS,-,-,-,-,-,-,-,-,-,-	1	SA	
6-3	DA60-00112A	SPACER-EVAP,R	TD-PJT,FOAM-PS,-,-,-,-,-,-,-,-,-,-	1	SA	
6-4	DA63-03927A	COVER-GLASS HEATER	MT-PJT,GALVANUM,TO.3,-,-,-,-,-,-,-,-,-,-	1	SA	
	DA63-04820A		TD42/39,GAVA,TO.3,-,-,-,-,-,-,-,-,-,-			SNA
6-5	DA47-00267K	HEATER DEFROST-GLASS	-,TD09,-,200W,-,230V,264.5,-,538mm,	1	SNA	
	DA47-00267L		-,TD09,-,200W,-,230V,264.5,-,491mm,			
7	DA63-03182B	COVER-AIR FRE	TD-PJT,PP(BJ-730),-,W49.5,L422.5,-,-,COOL-WHT,-	1	SA	

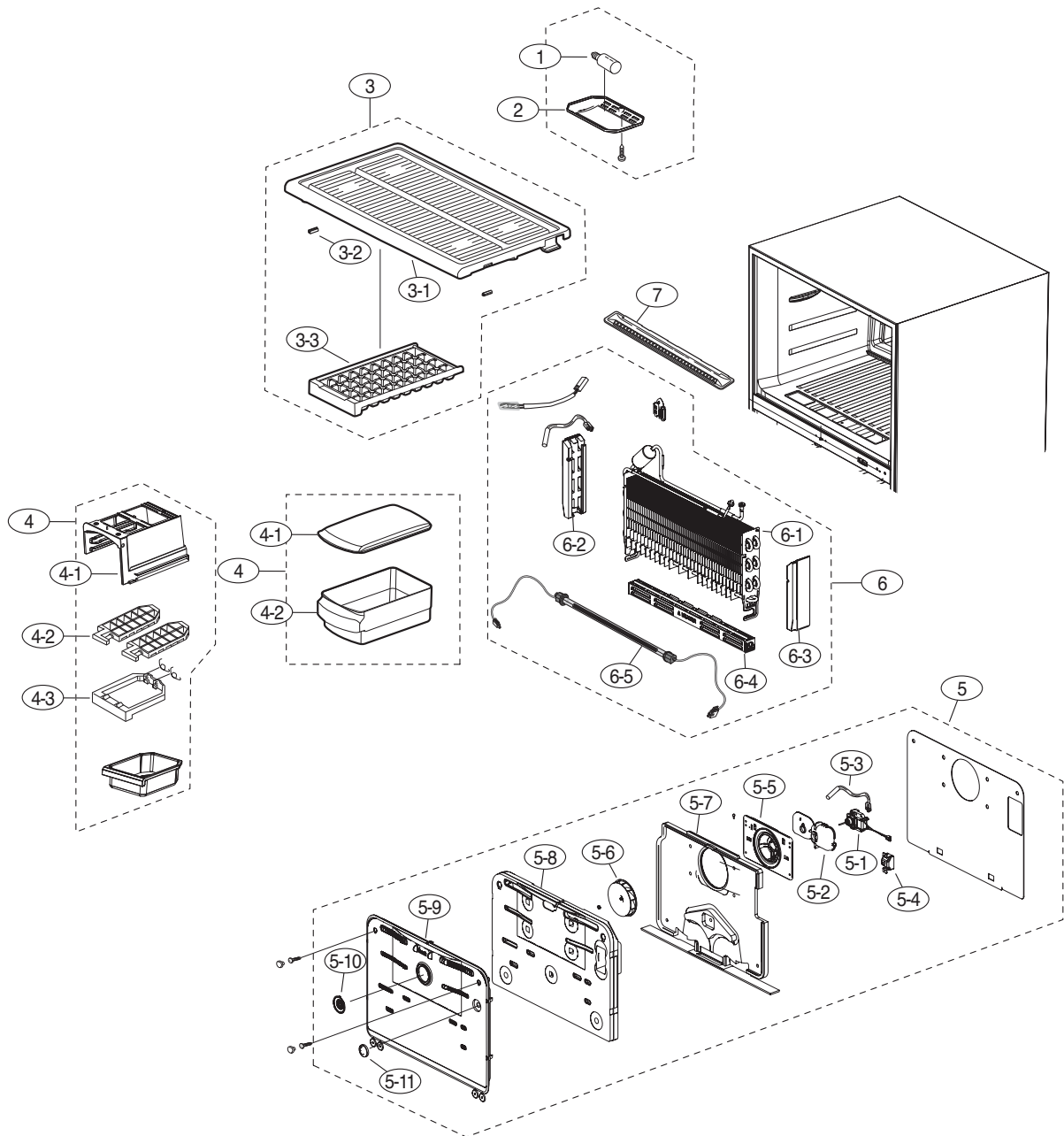
## 5. EXPLODED VIEW PART LIST

### 5-1. Freezer (Mechanical Type) - LED Type



# 5. EXPLODED VIEW PART LIST

## 5-1. Freezer (Mechanical Type) - Bulb Type



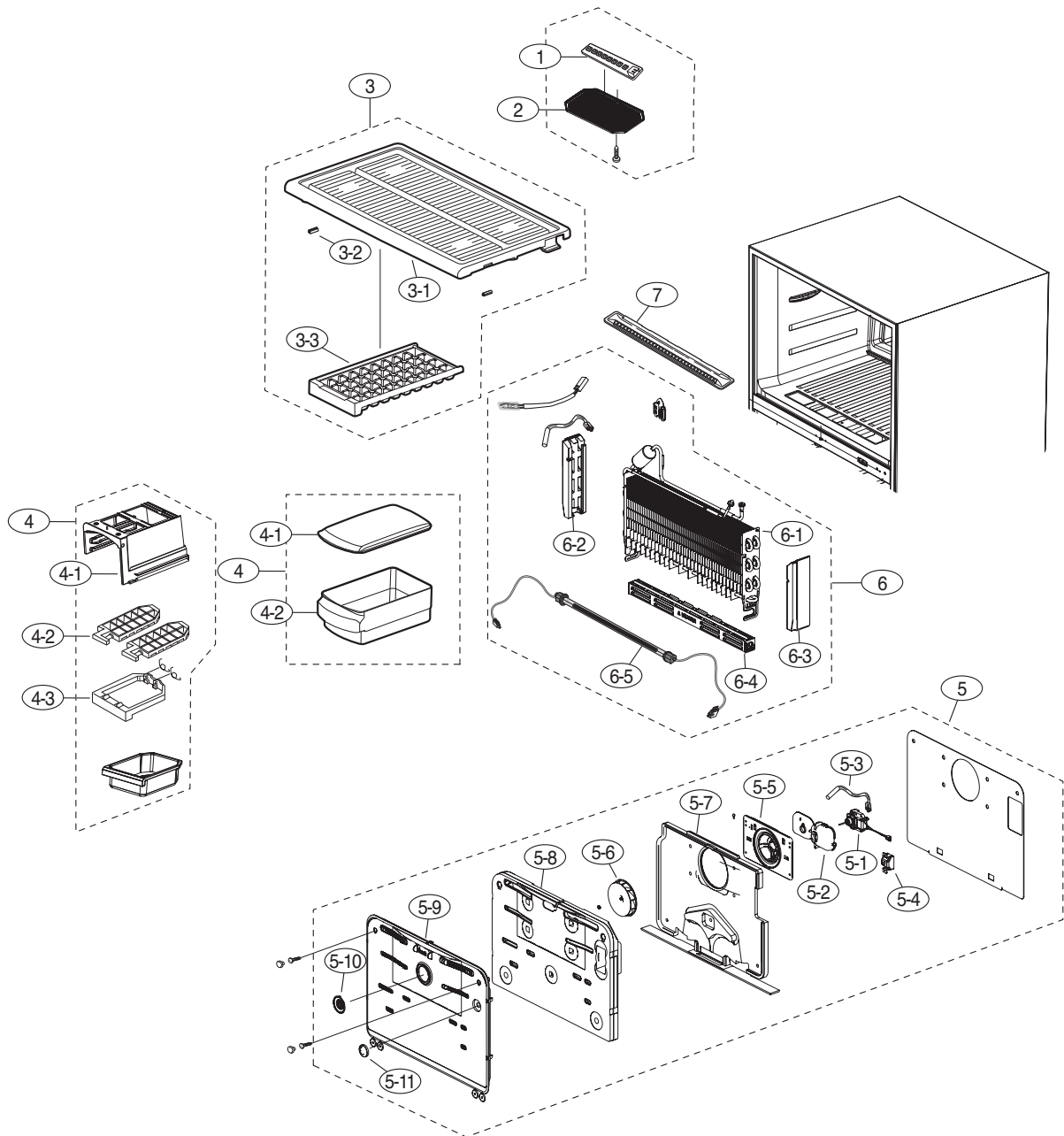
## 5. EXPLODED VIEW PART LIST

### • Parts List of Freezer

NO	CODE-NO	PART NAME	SPECIFICATION	Q'TY	SA/SNA	REMARK
1	4713-001189	LAMP-INCANDESCENT	240V, 30W, 25x84mm	1	SA	RT63/59
2	DA63-02140A	COVER LAMP-FRE	TD,PP,,-,-,-,-,-,-,	1	SA	RT63/59
3	DA97-05962A	ASSY SHELF-FRE	TD-50/48,	1	SA	
	DA97-05963A		TD-42/39,	1	SA	
3-1	DA67-01057A	SHELF FRE	TD,GPPS,NTR	1	SA	
	DA67-01096A		TD-42,GPPS,-,W321.8,L583.6,-,			
3-2	DA64-20194B	TRIM-SHELF	SR-51/55/59/64,PE,-,T1.0,-,NTR,	2	SA	
3-3	DA67-40148N	TRAY-ICE	S-PJT,PP,-,-,-,-,-,-,SC-02740R,COOL WHT	1	SA	
4	DA97-00974A	ASSY TRAY-ICE CUBE	VH-PJT,-,-,-,-,-,-,	1	SA	
4-1	DA63-10390C	COVER-CASE ICE	VH-PJT,GPPS,-,-,-,-,-,-,	1	SA	
4-2	DA67-10209C	CASE-ICE CUBE	ABS,-,VH-PJT,-,-,-,-,-,-,	1	SA	
4	DA97-05721A	ASSY-TRAY ICE	TD-PJT,-,-,-,-,-,-,	1	SA	RT50MMSM1/XTL
4-1	DA61-02896B	GUIDE TRAY-ICE	TD-PJT,PP,-,-,-,-,-,WHITE,-,	1	SA	
4-2	DA63-02173A	TRAY ICE	VH-32,36,PP,-,-,-,-,-,SC-02740R,COOL WHITE	2	SA	
4-3	DA61-02895F	CASE-TRAY ICE	TD-PJT,PP,-,-,-,-,-,WHITE,-,	1	SA	
4-4	DA61-03299B	CASE-ICE CUBE	TD-PJT,PP(BJ-730)-,W166.3,L215,COOL-WHT,-,	1	SNA	
5	DA97-07270A	ASSY COVER-EVAP FRONT	TD42/39,PP,-,-,-,-,-,MACH,COOL WHITE,220-240V	1	SA	RT54,50M*
	DA97-07268A		TD51/48,PP,-,-,-,-,-,MACH,COOL WHITE,220-240V	1	SA	RT63/59M*
5-1	DA31-00103M	MOTOR FAN-AC	IS-27213SNC7E,TD09,-,50/60Hz,-,220~240V,1750/1450,50,60Hz,AC 230V,-,-,	1	SA	
5-2	DA63-01283C	COVER-MOTOR	AD,PP,-,-,-,-,-,-,NTR,AC,FH21	1	SA	
5-3	DA32-00011E	SENSOR TEMP-F SENSOR	PX-41C,TD-PJT,-,40~110 °C,5V,-,-,-,-,F SENSOR,YELLOW,700MM	1	SA	
5-4	DA41-00471A	PBA-ROTARY S/W	BALLY 2,-,-,CEM-1,-,-,-,-,	1	SA	
5-5	DA61-05013A	SUPPORT-MOTOR FRE	TD09,ABS,-,-,-,-,-,-,NTR,	1	SA	
5-6	DA31-00233A	FAN	TWIN-PJT,ABS,HG-0760H, Cream white	1	SNA	
5-7	DA62-02099A	INSULATION EVAP-REAR	TD42/39,FOAM-PS,-,-,-,-,-,-,-,-,	1	SNA	
	DA62-02098A		TD51/48,FOAM-PS,-,-,-,-,-,-,-,-,			
5-8	DA62-02096A	INSULATION EVAP-FRONT	TD51/48,FOAM-PS,-,-,-,-,-,-,-,-,	1	SNA	
	DA62-02097A		TD42/39,FOAM-PS,-,-,-,-,-,-,-,-,			
5-9	DA63-04801A	COVER EVAP-FRONT	TD51/39,PP,T1.8,-,-,-,-,-,COOL WHITE,	1	SA	
	DA63-04802A		TD42/39,PP,T1.8,-,-,-,-,-,COOL WHITE,			
5-10	DA63-02131B	COVER-COOL	TD09-PJT,ABS,-,-,-,-,-,-,VIOLET BLUE,SC-97538R	1	SA	
5-11	DA64-01212C	KNOB-THERMO FRE	TD-PJT,ABS,-,-,-,-,-,-,COOL-WHITE,-,SC-02740R	1	SA	
6	DA96-00540A	ASSY EVAP-FRE	TD51/48,PIN,-,-,-,220V-240V,-,180W,-,	1	SA	RT63/59
	DA96-00541A		TD42/39,PIN,-,-,-,220V-240V,-,180W,-,			RT54/50
6-1	DA59-00385A	EVAP FRE	TD51/48,PIN,-,-,-,220V-240V,-,180W,-,-,	1	SA	RT63/59
	DA59-00386A		TD42/39,PIN,-,-,-,220V-240V,-,180W,-,-,			RT54/50
6-2	DA60-00111A	SPACER-EVAP,L	TD-PJT,FOAM-PS,-,-,-,-,-,-,-,-,	1	SA	
6-3	DA60-00112A	SPACER-EVAP,R	TD-PJT,FOAM-PS,-,-,-,-,-,-,-,-,	1	SA	
6-4	DA63-03927A	COVER-GLASS HEATER	MT-PJT,GALVANUM,TO.3,-,-,-,-,-,-,-,-,	1	SA	
	DA63-04820A		TD42/39,GAVA,TO.3,-,-,-,-,-,-,-,-,			SNA
6-5	DA47-00267K	HEATER DEFROST-GLASS	-,TD09,-,200W,-,230V,264.5,-,538mm,	1	SNA	
	DA47-00267L		-,TD09,-,200W,-,230V,264.5,-,491mm,			
7	DA63-03182B	COVER-AIR FRE	TD-PJT,PP(BJ-730)-,W49.5,L422.5,-,-,-,COOL-WHT,-,	1	SA	

## 5. EXPLODED VIEW PART LIST

### 5-1. Freezer (Mechanical Type) - LED Type



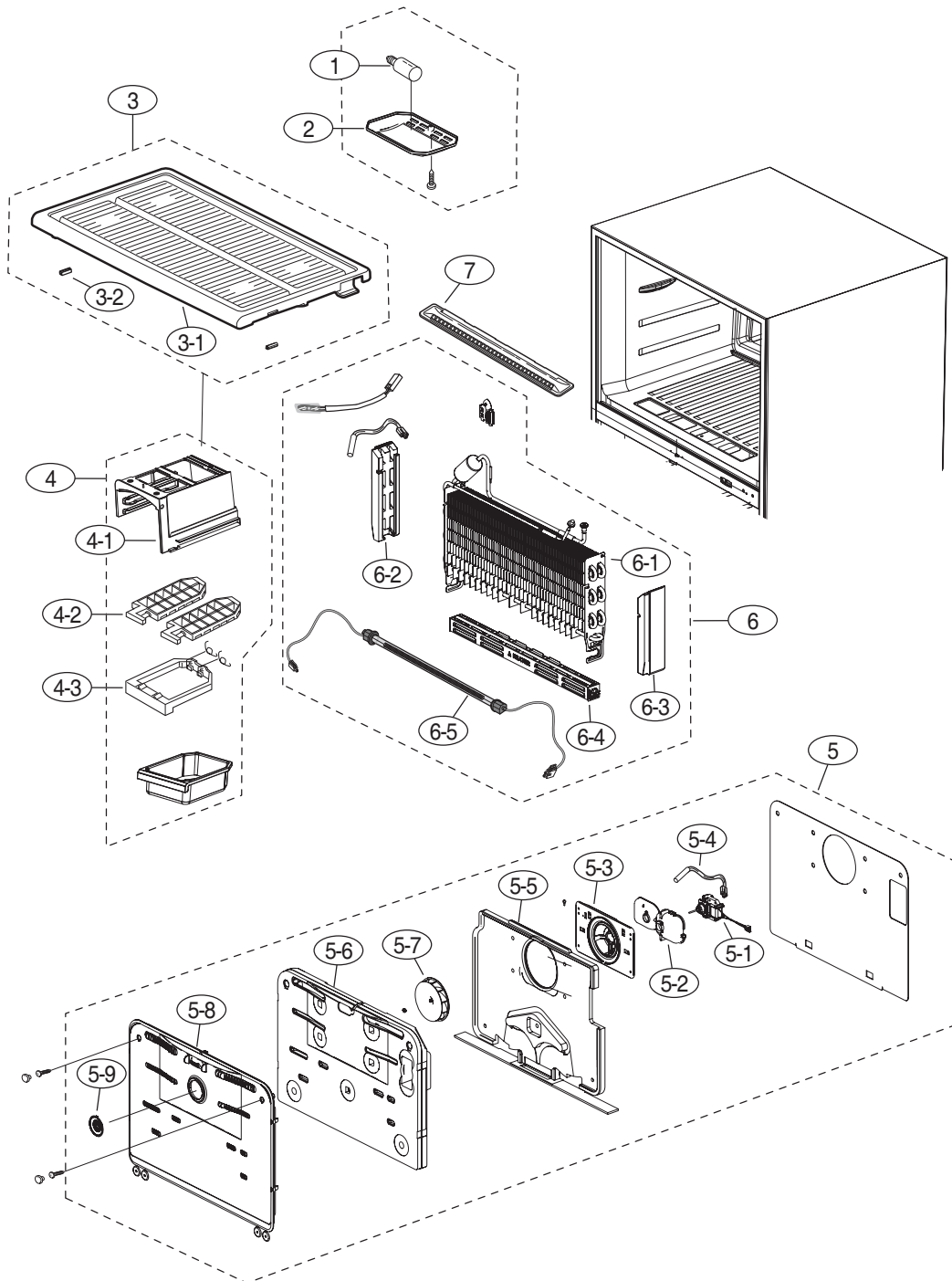
## 5. EXPLODED VIEW PART LIST

### • Parts List of Freezer

NO	CODE-NO	PART NAME	SPECIFICATION	Q'TY	SA/SNA	REMARK
1	DA41-00519B	PBA-LED LAMP	8EA,12V,50/60Hz	1	SA	LED / RT63/59
2	DA63-06704A	COVER LAMP- LED	TD09,GPPS,T2,W145,L36.7,N	1	SA	LED / RT63/59
3	DA97-02104B	ASSY SHELF-FRE	RT54/50	1	SA	
	DA97-02104C		TD-50/47,-	1	SA	
3-1	DA67-01057A	SHELF FRE	TD,GPPS,NTR	1	SA	
	DA67-01096A		TD-42,GPPS,-,W321.8,L583.6,-			
3-2	DA64-20194B	TRIM-SHELF	SR-51/55/59/64,PE,-,T1.0,-,NTR,	2	SA	
3-3	DA63-02173A	TRAY-ICE	S-PJT,PP,-,-,-,SC-02740R,COOL WHT	1	SA	
4	DA97-05721A	ASSY-TRAY ICE	TD-PJT,-,-,-	1	SA	RT50MMSM1/XTL
4-1	DA61-02896B	GUIDE TRAY-ICE	TD-PJT,PP,-,-,-,WHITE,-	1	SA	
4-2	DA63-02173A	TRAY ICE	VH-32,36,PP,-,-,-,SC-02740R,COOL WHITE	2	SA	
4-3	DA61-02895F	CASE-TRAY ICE	TD-PJT,PP,-,-,-,WHITE,-	1	SA	
4-4	DA61-03299B	CASE-ICE CUBE	TD-PJT,PP(BJ-730),-W166.3,L215,COOL-WHT,-	1	SNA	
5	DA97-07268E	ASSY COVER-EVAP FRONT	TD51/48,PP,MACH,CO	1	SA	RT63/59
	DA97-07270C		TD42/39,PP,MACH,CO			RT54/50
5-1	DA31-00103M	MOTOR FAN-AC	IS-27213SNC7E,TD09,-,50/60H	1	SA	
5-2	DA63-06712A	COVER-MOTOR	TD(AC),PP,NTR,5VA	1	SA	
5-3	DA32-00006N	SENSOR TEMP	PX41C/502AT,TGV,-40~110	1	SA	
	DA32-10109Y		502AT,A-TOP,-,5V,-,-,R-SENSO			
5-4	DA41-00471A	PBA-ROTARY S/W	BALLY 2,-,CEM-1,-,-,-	1	SA	
5-5	DA61-05013B	SUPPORT-MOTOR FRE	TD09,HIPS,NTR	1	SA	
5-6	DA31-00233A	FAN	TWIN-PJT,ABS,HG-0760H, Cream white	1	SNA	
5-7	DA62-02099A	INSULATION EVAP-REAR	TD42/39,FOAM-PS	1	SNA	
	DA62-02098A		TD51/48,FOAM-PS			
5-8	DA62-02096A	INSULATION EVAP-FRONT	TD51/48,FOAM-PS	1	SNA	
	DA62-02097A		TD42/39,FOAM-PS			
5-9	DA63-04801A	COVER EVAP-FRONT	TD51/39,PP,T1.8,-,-,-,COOL WHITE	1	SA	
	DA63-04802A		TD42/39,PP,T1.8,-,-,-,COOL WHITE			
5-10	DA63-02131D	COVER-COOL	TD09-PJT,HIPS,VIO BLUE,SC-975	1	SA	
5-11	DA64-03112A	KNOB-THERMO FRE	TD-PJT,ABS,-,-,-,COOL-WHITE,-,SC-02740R	1	SA	
6	DA96-00540E	ASSY EVAP FRE	TD09,FIN,230V,GLASS HEATER	1	SA	RT63/59
	DA96-00541E		TD09_42/39,FIN,230V,GLASS			RT54/50
6-1	DA59-00385A	EVAP FRE	TD51/48,PIN,-,-,220V-240V,-,180W	1	SA	
	DA59-00386A		TD42/39,PIN,-,-,220V-240V,-,180W			
6-2	DA60-00111A	SPACER-EVAP,L	TD-PJT,FOAM-PS	1	SA	
6-3	DA60-00112A	SPACER-EVAP,R	TD-PJT,FOAM-PS	1	SA	
6-4	DA63-03927A	COVER-GLASS HEATER	MT-PJT,GALVANUM,T0.3	1	SA	
	DA63-06714A		TD,GL-SAZCC,T0.3,GALV			
6-5	DA47-00267P	HEATER DEFROST-GLASS	TD09,180W,230V,294o	1	SNA	RT63/59
	DA47-00267N		TD09,180W,230V,294o			RT54/50
7	DA63-03182B	COVER-AIR FRE	TD-PJT,PP(BJ-730),-W49.5,	1	SA	

## 5. EXPLODED VIEW PART LIST

### 5-1. Freezer (Electrical Type) - Bulb Type





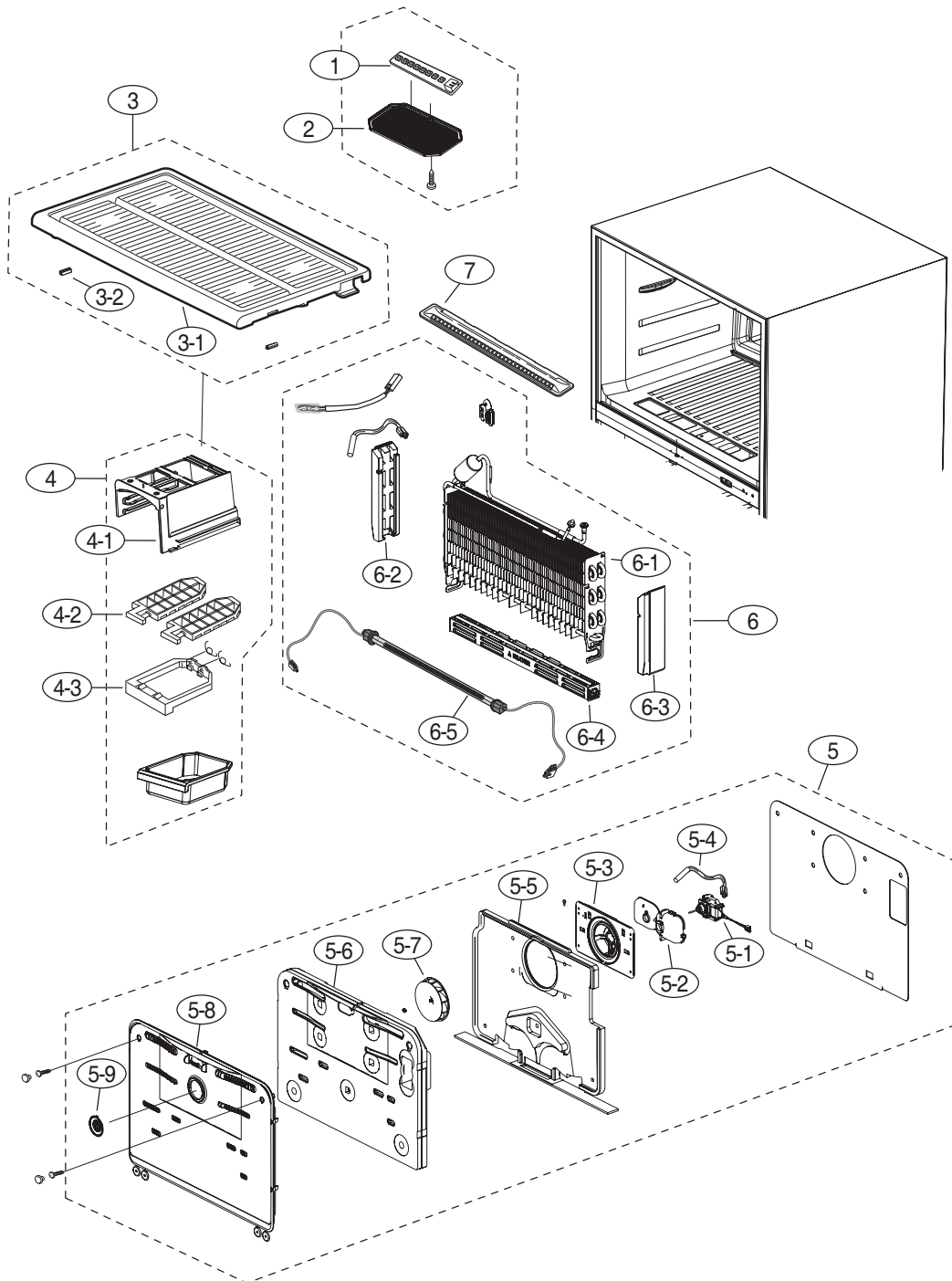
## 5. EXPLODED VIEW PART LIST

### • Parts List of Freezer

NO	CODE-NO	PART NAME	SPECIFICATION	Q'TY	SA/SNA	REMARK
1	4713-001189	LAMP-INCANDESCENT	240V, 30W, 25x84mm	1	SA	RT63/59
2	DA63-02140A	COVER LAMP-FRE	TD,PP,-,-,-,-,-,-,-,-	1	SA	RT63/59
3	DA97-02104B	ASSY SHELF-FRE	TD-42/39,-	1	SA	RT54/50E',M',Z'
	DA97-02104C		TD-50/47,-			RT63/59
3-1	DA67-01096A	SHELF FRE	TD-42,GPPS,-,-,W321.8,L583.6,-,-	1	SNA	
	DA67-01057A		TD,GPPS,-,-,-,-,NTR			
3-2	DA64-20194B	TRIM-SHELF	SR-51/55/59/64,PE,-,T1.0,-,NTR,-	2	SA	
4	DA97-05721A	ASSY-TRAY ICE	TD-PJT,-,-,-,-	1	SA	RT50MMSM1/XTL
4-1	DA61-02896B	GUIDE TRAY-ICE	TD-PJT,PP,-,-,-,-,WHITE,-	1	SA	
4-2	DA63-02173A	TRAY ICE	VH-32,36,PP,-,-,-,-,SC-02740R,COOL WHITE	2	SA	
4-3	DA61-02895F	CASE-TRAY ICE	TD-PJT,PP,-,-,-,-,WHITE,-	1	SA	
4-4	DA61-03299B	CASE-ICE CUBE	TD-PJT,PP(BJ-730),- ,W166.3,L215,COOL-WHT,-	1	SNA	
5	DA97-07267A	ASSY COVER-EVAP FRONT	TD51/48,PP,-,-,-,-,ELEC,COOL WHITE,220-240V	1	SA	
	DA97-07269A		TD42/39,PP,-,-,-,-,ELEC,COOL WHITE,220-240V			
5-1	DA31-00103M	MOTOR FAN-AC	IS-27213SNC7E,TD09,-,50/60Hz,-,220~240V,1750/1450,50,60Hz,AC 230V,-,-,-	1	SA	
	DA31-00103H		IS-27210SNC5B,CORE.66± 15% mA,50Hz,7.5± 15%,220~240V,2400± 200,50Hz,230V,-,-,-	1		
5-2	DA63-01283C	COVER-MOTOR	AD,PP,-,-,-,-,-,NTR,AC, FH21	1	SA	
5-3	DA61-05013A	SUPPORT-MOTOR FRE	TD09,ABS,-,-,-,-,NTR,-	1	SA	
5-4	DA32-00011E	SENSOR TEMP-F SENSOR	PX-41C,TD-PJT,-40~110 ℃ ,5V,-,-,-,F SENSOR,YELLOW,700MM	1	SA	
5-5	DA62-02098A	INSULATION EVAP-REAR	TD51/48,FOAM-PS,-,-,-,-,-,-,-,-	1	SNA	
	DA62-02099A		TD42/39,FOAM-PS,-,-,-,-,-,-,-,-	1		
5-6	DA62-02096A	INSULATION EVAP-FRONT	TD51/48,FOAM-PS,-,-,-,-,-,-,-,-	1	SNA	
	DA62-02097A		TD42/39,FOAM-PS,-,-,-,-,-,-,-,-	1		
5-7	DA31-00233A	FAN	-,TWIN-PJT,ABS,-,HF06601,NTR	1	SNA	
5-8	DA63-04801A	COVER EVAP-FRONT	TD51/39,PP,T1.8,-,-,-,-,COOL WHITE,-	1	SA	
	DA63-04802A		TD42/39,PP,T1.8,-,-,-,-,COOL WHITE,-			
5-9	DA63-02131D	COVER-COOL	TD09-PJT,ABS,-,-,-,-,-,VIOLET BLUE,SC-97538R	1	SA	
6	DA96-00540A	ASSY EVAP-FRE	TD51/48,PIN,-,-,220V-240V,-,180W,-,-	1	SA	RT63/59
	DA96-00541A		TD42/39,PIN,-,-,220V-240V,-,180W,-,-			RT63/59
6-1	DA59-00385A	EVAP FRE	TD51/48,PIN,-,-,220V-240V,-,180W,-,-	1	SA	
	DA59-00386A		TD42/39,PIN,-,-,220V-240V,-,180W,-,-			
6-2	DA60-00111A	SPACER-EVAP,L	TD-PJT,FOAM-PS,-,-,-,-,-,-,-,-	1	SA	
6-3	DA60-00112A	SPACER-EVAP,R	TD-PJT,FOAM-PS,-,-,-,-,-,-,-,-	1	SA	
6-4	DA63-03927A	COVER-GLASS HEATER	MT-PJT,GALVNUME,T0.3,-,-,-,-,-,-,-,-	1	SA	
	DA63-04820A		TD42/39,GAVA,T0.3,-,-,-,-,-,-,-,-			SNA
6-5	DA47-00267K	HEATER DEFROST-GLASS	-,TD09,-,200W,-,230V,264.5,-,538mm,-	1	SNA	
	DA47-00267L		-,TD09,-,200W,-,230V,264.5,-,491mm,-			
7	DA63-03182B	COVER-AIR FRE	TD-PJT,PP(BJ-730),- ,W49.5,L422.5,-,-,COOL-WHT,-	1	SA	

## 5. EXPLODED VIEW PART LIST

### 5-1. Freezer (Electrical Type) - LED Type



## 5. EXPLODED VIEW PART LIST

### • Parts List of Freezer

NO	CODE-NO	PART NAME	SPECIFICATION	Q'TY	SA/SNA	REMARK
1	DA41-00519A	PBA-LED LAMP	8EA,12V,50/60Hz	1	SA	LED / RT63/59
2	DA63-05914A	COVER LAMP-FRE	GPPS	1	SA	LED / RT63/59
3	DA97-02104B	ASSY SHELF-FRE	TD-42/39,-	1	SA	RT54/50E',M'Z'
	DA97-02104C		TD-50/47,-			RT63/59
3-1	DA67-01096A	SHELF FRE	TD-42,GPPS,-,W321.8,L583.6,-,-	1	SNA	
	DA67-01057A		TD,GPPS,-,-,-,NTR			
3-2	DA64-20194B	TRIM-SHELF	SR-51/55/59/64,PE,-,T1.0,-,NTR,-	2	SA	
4	DA97-05721A	ASSY-TRAY ICE	TD-PJT,-,-,-	1	SA	RT50MMSM1XTL
4-1	DA61-02896B	GUIDE TRAY-ICE	TD-PJT,PP,-,-,-,WHITE,-	1	SA	
4-2	DA63-02173A	TRAY ICE	VH-32,36,PP,-,-,-,SC-02740R,COOL WHITE	2	SA	
4-3	DA61-02895F	CASE-TRAY ICE	TD-PJT,PP,-,-,-,WHITE,-	1	SA	
4-4	DA61-03299B	CASE-ICE CUBE	TD-PJT,PP(BJ-730),-W166.3,L215,COOL-WHT,-	1	SNA	
5	DA97-07267C	ASSY COVER-EVAP FRONT	TD51/48,PP,ELEC,COOL WHITE,220-240V	1	SA	~ 2010.12.31/
	DA97-07267E					2011.01.01 ~
	DA97-07267D	ASSY COVER-EVAP FRONT	TD51/48,PP,ELEC,COOL WHITE,BLDC MOTOR	1	SA	~ 2010.12.31/
	DA97-07267F					2011.01.01 ~
	DA97-07269C	ASSY COVER-EVAP FRONT	TD42/39,PP,ELEC,COOL WHITE,220-240V	1	SA	~ 2010.12.31/
	DA97-07269E					2011.01.01 ~
	DA97-07269D	ASSY COVER-EVAP FRONT	TD42/39,PP,ELEC,COOL WHITE,BLDC MOTOR	1	SA	~ 2010.12.31/
DA97-07269F	2011.01.01 ~					
5-1	DA31-00103M	MOTOR FAN-AC	IS-27213SNC7E,TD09,-,50/60Hz,-,220-240V,1750/1450,50,60Hz,AC 230V	1	SA	
	DA31-00103H		IS-27210SNC5B,CORE,66± 15% mA,50Hz,7.5± 15%,220-240V,2400± 200,50Hz,230V,-,-,-			
5-2	DA63-01283C	COVER-MOTOR	AD,PP,-,-,-,-,NTR,AC,FH21	1	SA	
5-3	DA61-05013A	SUPPORT-MOTOR FRE	TD09,ABS,-,-,-,NTR	1	SA	
5-4	DA32-00006C	SENSOR TEMP	PX-41C,W2 PJT,-,10 $\times$ ~ 35 $\times$ ,5V,-,-,-,R/F DEF-SENSOR,PURPLE	1	SA	~ 2010.12.31/
	DA32-00011E		PX-41C,TD-PJT,-,40-110 $\times$ ,5V,-,-,-,F SENSOR,YELLOW,700MM			2011.01.01 ~
5-5	DA62-02099A	INSULATION EVAP-REAR	TD42/39,FOAM-PS	1	SNA	
	DA62-02098A		TD51/48,FOAM-PS			
5-6	DA62-02096A	INSULATION EVAP-FRONT	TD51/48,FOAM-PS	1	SNA	
	DA62-02097A		TD42/39,FOAM-PS			
5-7	DA31-00233A	FAN	TWIN-PJT,ABS,HG-0760H, Cream white	1	SNA	
5-8	DA63-04801A	COVER EVAP-FRONT	TD51/39,PP,T1.8,-,-,-,-,COOL WHITE	1	SA	
	DA63-04802A		TD42/39,PP,T1.8,-,-,-,-,COOL WHITE			
5-9	DA63-02131B	COVER-COOL	TD09-PJT,ABS,-,-,-,-,VIOLET BLUE,SC-97538R	1	SA	
6	DA96-00540C	ASSY EVAP FRE	TD51/48,PIN,220V-240V,180W	1	SA	~ 2010.12.31/
	DA96-00540D		TD51-48,FIN,220V-240V,180W			2011.01.01 ~
	DA96-00541C	ASSY EVAP FRE	TD42/39,PIN,220V-240V,180W	1	SA	~ 2010.12.31/
	DA96-00541D		TD42/39,FIN,220V-240V,180W			2011.01.01 ~
6-1	DA59-00385A	EVAP FRE	TD51/48,PIN,-,-,220V-240V,-,180W	1	SA	
	DA59-00386A		TD42/39,PIN,-,-,220V-240V,-,180W			
6-2	DA60-00111A	SPACER-EVAP,L	TD-PJT,FOAM-PS	1	SA	
6-3	DA60-00112A	SPACER-EVAP,R	TD-PJT,FOAM-PS	1	SA	
6-4	DA63-03927A	COVER-GLASS HEATER	MT-PJT,GALVANUM,TO.3	1	SA	
	DA63-04820A		TD42/39,GAVA,TO.3			

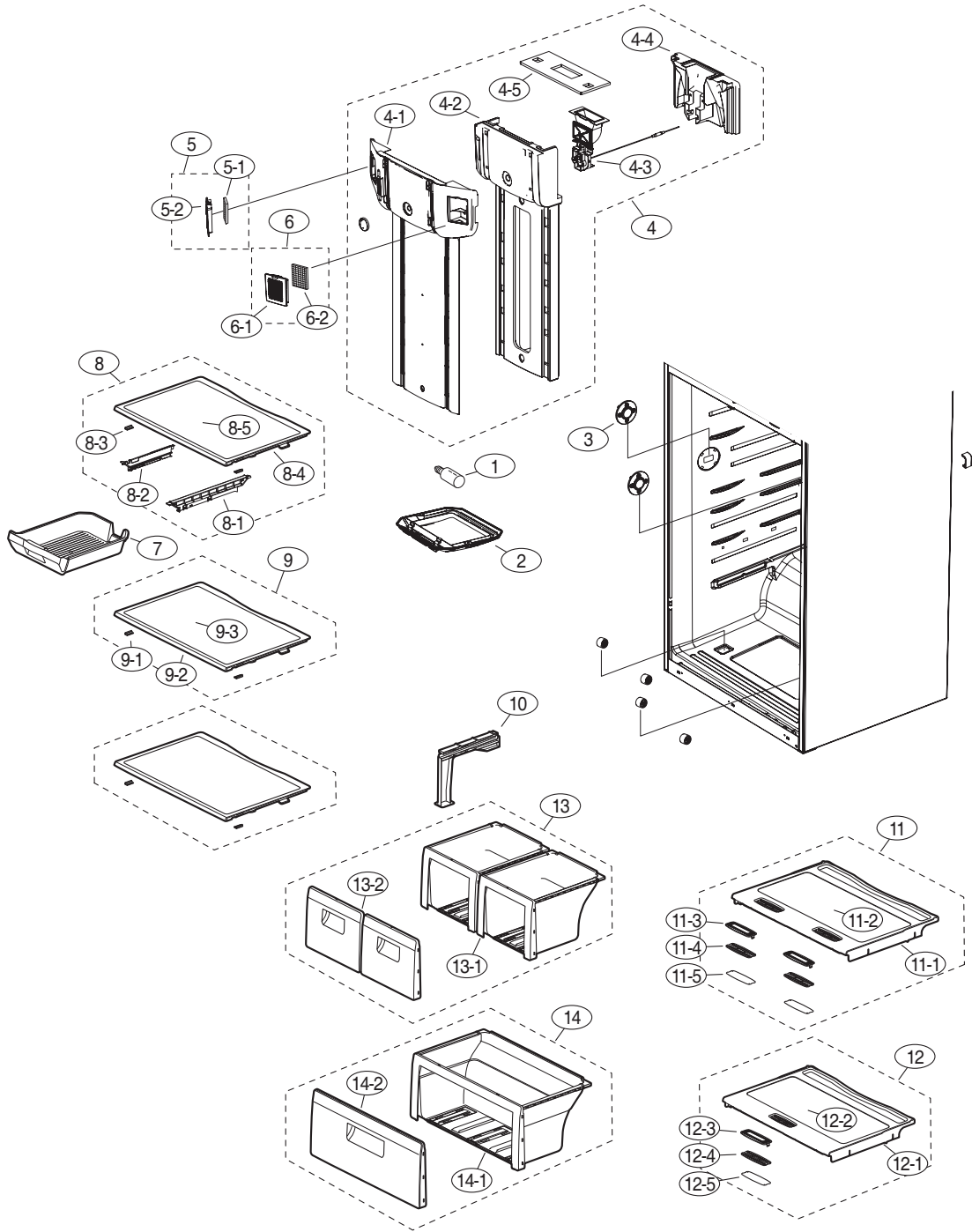
## 5. EXPLODED VIEW PART LIST

### • Parts List of Freezer

NO	CODE-NO	PART NAME	SPECIFICATION	Q'TY	SA/SNA	REMARK
6-5	DA47-00267K	HEATER DEFROST-GLASS	TD09,-,200W,-,230V,264.5,-,538mm	1	SNA	~ 2010.12.31/
	DA47-00267N		TD09,180W,230V,294ohm,530mm,housing 2ea			2011.01.01 ~
	DA47-00267L	HEATER DEFROST-GLASS	TD09,-,200W,-,230V,264.5,-,491mm	1	SNA	~ 2010.12.31/
	DA47-00267P		TD09,180W,230V,294ohm,483mm,housing 2ea			2011.01.01 ~
7	DA63-03182B	COVER-AIR FRE	TD-PJT,PP(BJ-730),-,W49.5,L422.5,-,-,COOL-WHT,-	1	SA	

## 5. EXPLODED VIEW PART LIST

### 5-2. Fridge (Electrical Type) - Bulb Type





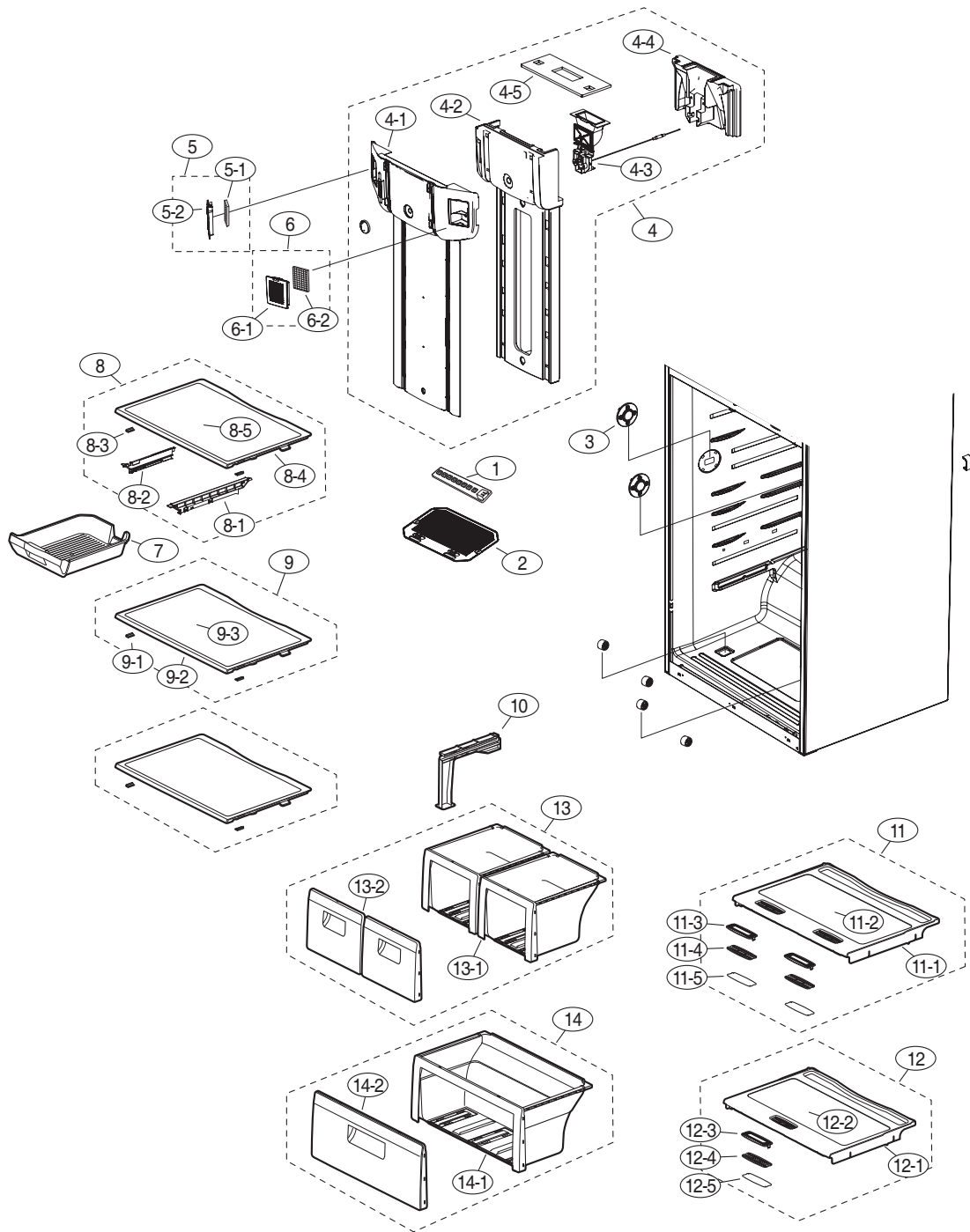
## 5. EXPLODED VIEW PART LIST

### • Parts List of Fridge

NO	CODE-NO	PART NAME	SPECIFICATION	Q'TY	SA/SNA	REMARK
11-2	DA67-01061N	SHELF GLASS	TD51/48, GLASS, T4, W639, L275, PRINT, -	1	SNA	
11-3	DA63-04812A	COVER-VEG ZONE	TD09, GPPS, -, -, -, -, -, M/CONTROL	2	SA	
11-4	DA63-04818A	COVER-VEG SUB	TD09, ABS, -, -, -, -, -, PE+URETHANE, M/CONTROL	2	SA	
11-5	DA63-04905A	SHEET-PE	TD09-PJT, PE, -, -, -, -, MOISTURE CONTROL	1	SNA	
12	DA97-07272A	ASSY COVER VEG	TD42/39, -, -, -, -, -, COOL WHITE, M/CONTROL	1	SA	
12-1	DA63-04810A	COVER-VEG	TD42/39, ABS, -, -, -, -, -, COOL WHITE, M/CONTROL	1	SA	
12-2	DA67-01061Q	SHELF GLASS	TD42/39, GLASS, T4, W592, L242, PRINT, -	1	SNA	
12-3	DA63-04812A	COVER-VEG ZONE	TD09, GPPS, -, -, -, -, -, M/CONTROL	1	SA	
12-4	DA63-04818A	COVER-VEG SUB	TD09, ABS, -, -, -, -, -, PE+URETHANE, M/CONTROL	1	SA	
12-5	DA63-04905A	SHEET-PE	TD09-PJT, PE, -, -, -, -, MOISTURE CONTROL	1	SNA	
13	DA97-07261A	ASSY CASE-VEG	TD51/48, T2.0, -, -, -, -	2	SA	RT63/59*
13-1	DA61-05008A	CASE-VEG	TD51/48, PP, T2.0, -, -, -, -, COOL WHITE, -	1	SA	
13-2	DA64-02821A	TRIM-CASE VEG	TD51/48, GPPS, -, T2.0, -, -, -, -	1	SA	
14	DA97-07262A	ASSY CASE-VEG	TD42/39, T2.0, -, -, -, -	1	SA	RT54/50*
14-1	DA61-05009A	CASE-VEG	TD42/39, PP, T2.0, -, -, -, -, COOL WHITE, -	1	SA	
14-2	DA64-02822A	TRIM-CASE VEG	TD42/39, GPPS, -, T2.0, -, -, -, -	1	SA	

## 5. EXPLODED VIEW PART LIST

### 5-2. Fridge (Electrical Type) - LED Type







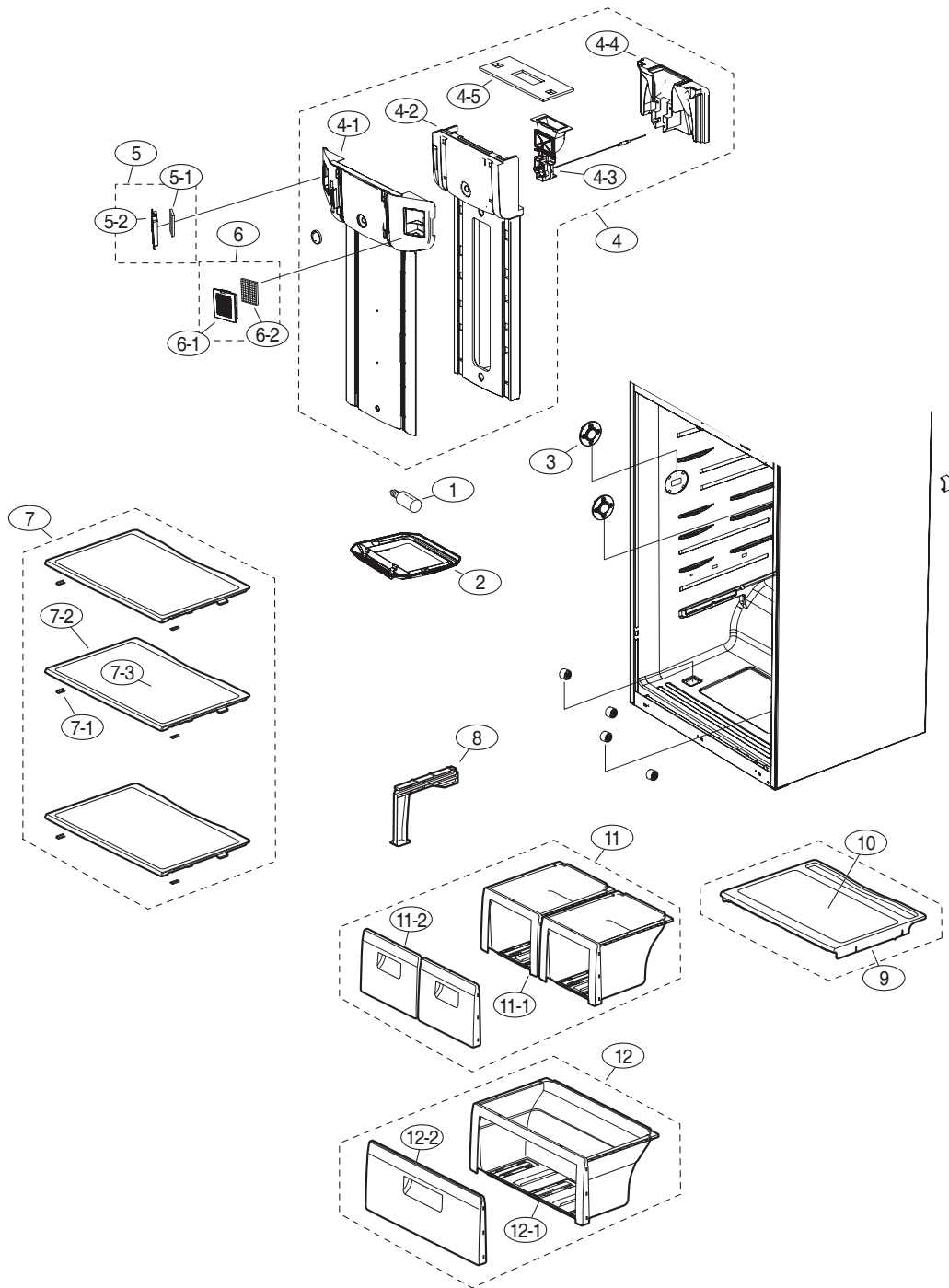
## 5. EXPLODED VIEW PART LIST

### • Parts List of Fridge

NO	CODE-NO	PART NAME	SPECIFICATION	Q'TY	SA/SNA	REMARK
10	DA61-05012A	RAIL-VEG	TD51/48,HIPS,-,-,-,COOL WHITE,-	1	SA	RT63/59*
11	DA97-07273A	ASSY COVER VEG	TD51/48,-,-,-,-,-,COOL WHITE,M/CONTROL			
11-1	DA63-04808A	COVER-VEG	TD51/48,ABS,-,-,-,-,-,COOL WHITE,M/CONTROL	1	SA	
11-2	DA67-01061N	SHELF GLASS	TD51/48,GLASS,T4,W639,L275,PRINT,-	1	SNA	
11-3	DA63-04812A	COVER-VEG ZONE	TD09,GPPS,-,-,-,-,-,M/CONTROL	2	SA	
11-4	DA63-04818A	COVER-VEG SUB	TD09,ABS,-,-,-,-,-,PE+URETHANE,M/CONTROL	2	SA	
11-5	DA63-04905A	SHEET-PE	TD09-PJT,PE,-,-,-,-,-,MOISTURE CONTROL	1	SNA	
12	DA97-07272A	ASSY COVER VEG	TD42/39,-,-,-,-,-,COOL WHITE,M/CONTROL	1	SA	
12-1	DA63-04810A	COVER-VEG	TD42/39,ABS,-,-,-,-,-,COOL WHITE,M/CONTROL	1	SA	
12-2	DA67-01061Q	SHELF GLASS	TD42/39,GLASS,T4,W592,L242,PRINT,-	1	SNA	
12-3	DA63-04812A	COVER-VEG ZONE	TD09,GPPS,-,-,-,-,-,M/CONTROL	1	SA	
12-4	DA63-04818A	COVER-VEG SUB	TD09,ABS,-,-,-,-,-,PE+URETHANE,M/CONTROL	1	SA	
12-5	DA63-04905A	SHEET-PE	TD09-PJT,PE,-,-,-,-,-,MOISTURE CONTROL	1	SNA	
13	DA97-07261A	ASSY CASE-VEG	TD51/48,T2.0,-,-,-,-	2	SA	RT63/59*
13-1	DA61-05008A	CASE-VEG	TD51/48,PP,T2.0,-,-,-,COOL WHITE,-	1	SA	
13-2	DA64-02821A	TRIM-CASE VEG	TD51/48,GPPS,-,T2.0,-,-,-	1	SA	
14	DA97-07262A	ASSY CASE-VEG	TD42/39,T2.0,-,-,-,-	1	SA	RT54/50*
14-1	DA61-05009A	CASE-VEG	TD42/39,PP,T2.0,-,-,-,COOL WHITE,-	1	SA	
14-2	DA64-02822A	TRIM-CASE VEG	TD42/39,GPPS,-,T2.0,-,-,-	1	SA	

## 5. EXPLODED VIEW PART LIST

### 5-2. Fridge (Mechanical Type) - Bulb Type



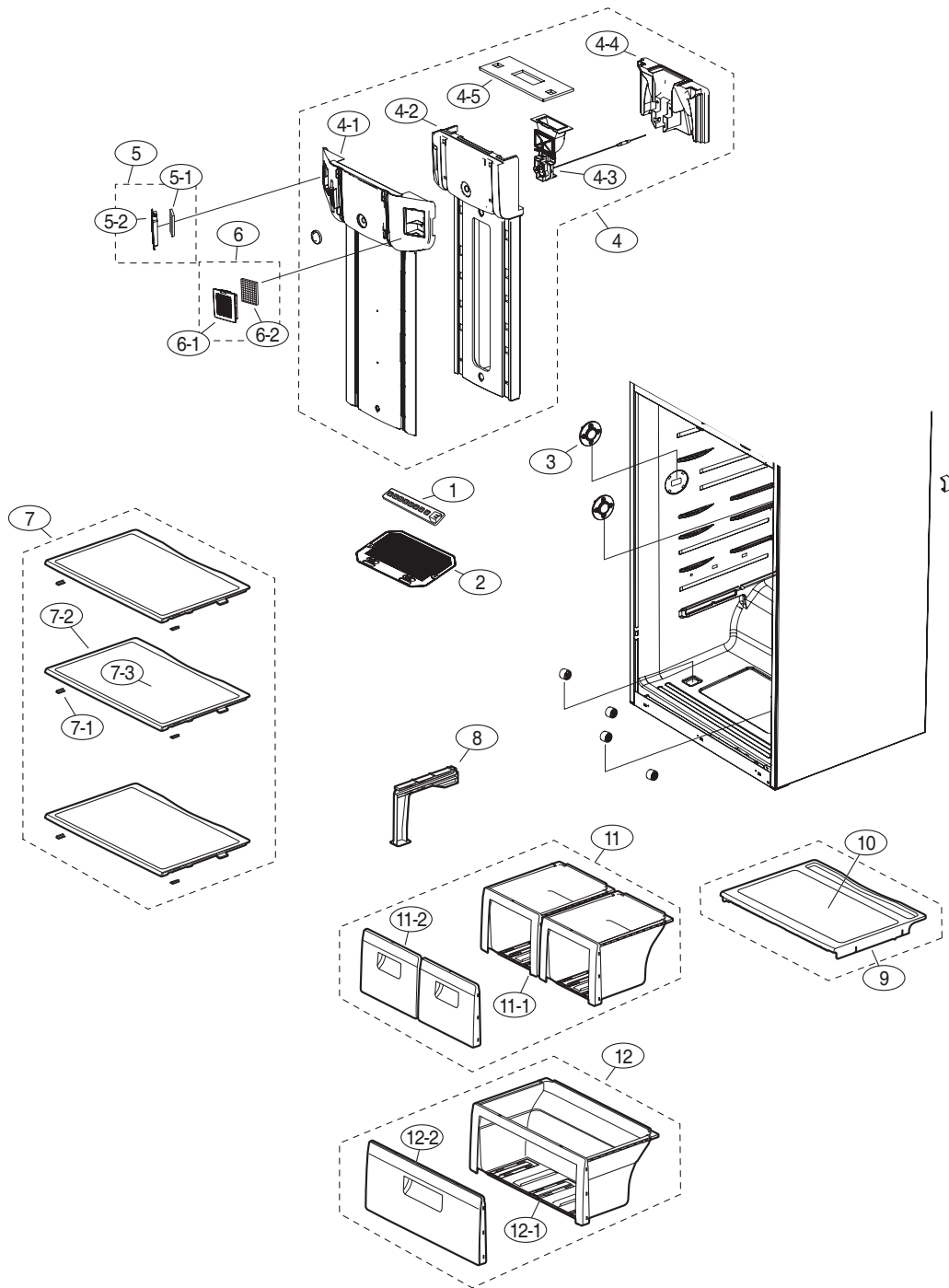
## 5. EXPLODED VIEW PART LIST

### • Parts List of Fridge

NO	CODE-NO	PART NAME	SPECIFICATION	Q'TY	SA/SNA	REMARK
1	4713-001189	LAMP-INCANDESCENT	240V, 30W, 25x84mm	1	SA	ALL
2	DA63-02140A	COVER LAMP-FRE	TD,PP,-,-,-,-,-,-,-,-,-,-	1	SA	ALL
3	DA63-02132B	COVER-I COOL	TD-PJT,ABS,-,-,-,-,-,-,-,-,-,-	2	SA	ALL
4	DA97-07296A	ASSY COVER DAMPER	TD51,PP,-,-,-,-,EXP,-,-	1	SA	RT63
	DA97-07297A		TD48/42,PP,-,-,-,-,EXP,-,-	1	SA	RT59/54
	DA97-07298A		TD39,PP,-,-,-,-,EXP,-,-	1	SA	RT50
4-1	DA63-04803A	COVER DAMPER	TD51,PP,T1.8,-,-,-,-,-,-,-,-	1	SA	
	DA63-04804A		TD48/42,PP,T1.8,-,-,-,-,-,-,-,-	1	SA	
	DA63-04805A		TD39,PP,T1.8,-,-,-,-,-,-,-,-	1	SA	
4-2	DA62-02100A	INSULATION-DAMPER A	TD51,FOAM-PS,-,-,-,-,-,-,-,-,-	1	SA	
	DA62-02101A		TD48/42,FOAM-PS,-,-,-,-,-,-,-,-,-	1	SA	
	DA62-02102A		TD39,FOAM-PS,-,-,-,-,-,-,-,-,-	1	SA	
4-3	DA67-10264G	THERMO DAMPER	ASS,-,NONE,-,60,50,-,168*127,-,-, WARM	1	SNA	
4-4	DA62-00721A	INSULATION-DAMPER,B(M)	TD,FOAM-PS,-,-,-,-,-,-,-,-,-	1	SNA	
4-5	DA64-01212B	KNOB-THERMO FRE	TD-PJT,ABS,-,-,-,-,COOL-WHITE,-,SC-02740R	1	SA	
4-6	DA62-00819A	SEAL-COVER DAMPER M	TD-PJT,OJC-3000,WHT,T7,-,-,-	1	SNA	
5	DA97-01841C	ASSY-COVER PURIFIER L	TD-PJT,DEODORIZER,-,-	1	SNA	
5-1	DA02-90106Q	CATALYST-LTC	TD-PJT,-,-,T7,W40,L40,-,-,-	1	SNA	
5-2	DA63-02112B	COVER-PURIFIER,L	TD,PP(BJ-730),-,-,-,-,NO PRINT,SC-02740R,COOL WHITE	1	SA	
6	DA97-02285C	ASSY-COVER PURIFIER R	TD-PJT,-,-,-	1	SNA	
6-1	DA02-90106Q	CATALYST-LTC	TD-PJT,-,-,T7,W40,L40,-,-,-	1	SNA	
6-2	DA63-02111A	COVER-PURIFIER,R	TD,PP,-,-,-,SC-02740R,-,COOL WHITE,BJ-730	1	SA	
7	DA97-01863N	ASSY-SHELF REF	TD51/48,PRINT,-,-	3	SA	RT63/59M*
	DA97-05620C		TD42/39,PRINT,-,-	3	SA	RT54/50M*
7-1	DA64-00090B	TRIM-SHELF	A-TOP,LDPE,WHITE,-,-,-,-	2	SA	
7-2	DA64-01215A	TRIM SHELF-REF	TD-PJT,ABS,-,-,-,-,GLASS	1	SA	
	DA64-01267A		TD-42/39,ABS,-,-,L601.8,SC-02740R,-	1	SA	
7-3	DA67-01061L	SHELF GLASS	TD50/47,GLASS,T4,W635.5,L385.5,PRINT,-	1	SNA	
	DA67-01061M		TD41/39,GLASS,T4,W588.5,L352.5,PRINT,-	1	SNA	
8	DA61-05012A	RAIL-VEG	TD51/48,HIPS,-,-,-,-,COOL WHITE,-	1	SA	RT63/59*
9	DA63-04809A	COVER-VEG	TD51/48,ABS,-,-,-,-,COOL WHITE,-	1	SA	RT63/59M*
	DA63-04811A		TD42/39,ABS,-,-,-,-,COOL WHITE,-	1	SA	RT54/50M*
10	DA67-01061P	SHELF GLASS	TD51/48,GLASS,T4,W639,L310,PRINT,-	1	SNA	
	DA67-01061R		TD42/39,GLASS,T4,W592,L292,PRINT,-	1	SNA	
11	DA97-07261A	ASSY CASE-VEG	TD51/48,T2.0,-,-,-,-,-	2	SA	RT63/59*
11-1	DA61-05008A	CASE-VEG	TD51/48,PP,T2.0,-,-,-,COOL WHITE,-	1	SA	
11-2	DA64-02821A	TRIM-CASE VEG	TD51/48,GPPS,-,T2.0,-,-,-	1	SA	
12	DA97-07262A	ASSY CASE-VEG	TD42/39,T2.0,-,-,-,-,-	1	SA	RT54/50*
12-1	DA61-05009A	CASE-VEG	TD42/39,PP,T2.0,-,-,-,COOL WHITE,-	1	SA	
12-2	DA64-02822A	TRIM-CASE VEG	TD42/39,GPPS,-,T2.0,-,-,-	1	SA	

## 5. EXPLODED VIEW PART LIST

### 5-2. Fridge (Mechanical Type) - LED Type



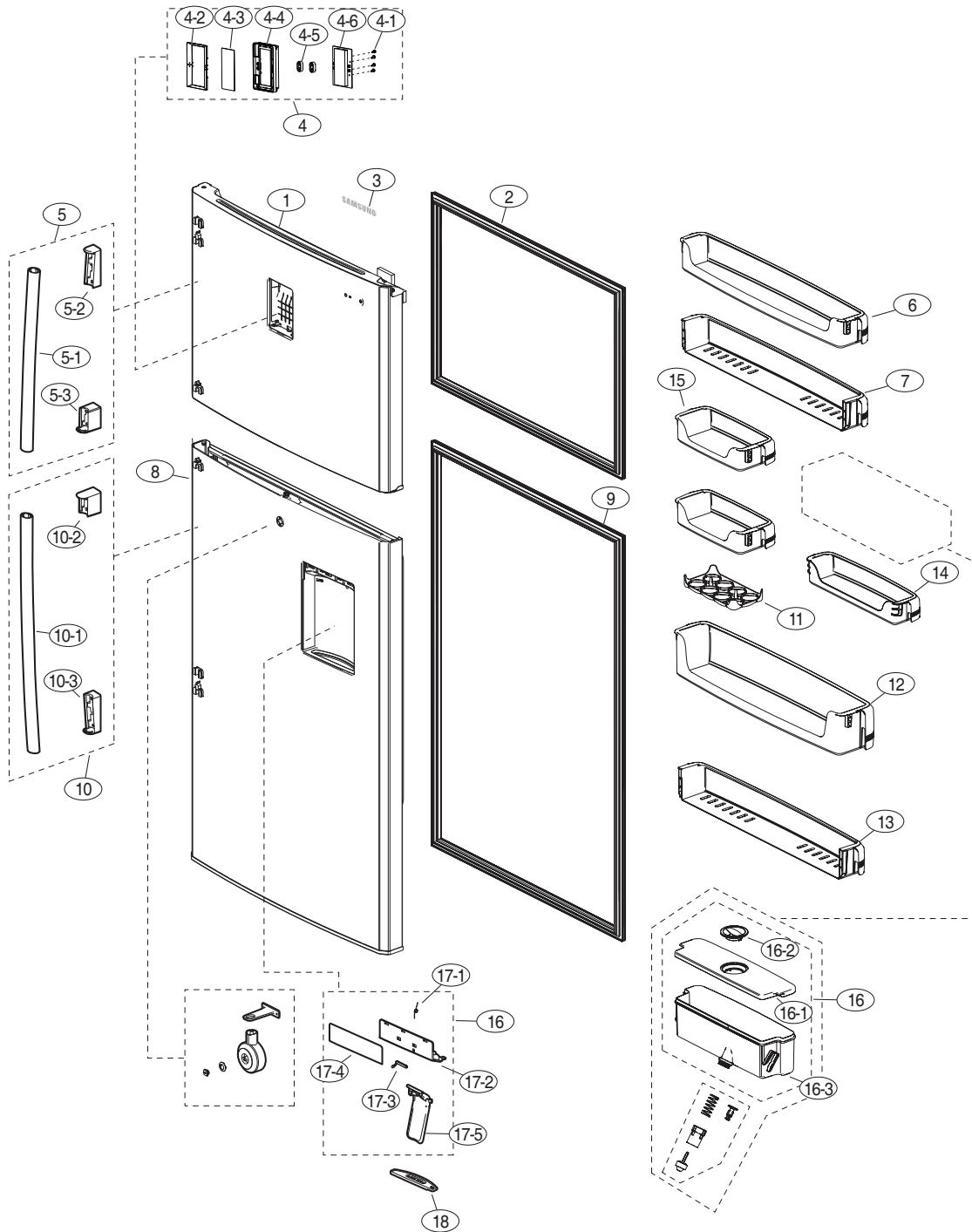
## 5. EXPLODED VIEW PART LIST

### • Parts List of Fridge

NO	CODE-NO	PART NAME	SPECIFICATION	Q'TY	SA/SNA	REMARK
1	DA41-0051B	PBALED LAMP	GUGGENHEIM-PJT,F-ROOM,CEM-1	1	SA	LED
2	DA63-06704A	COVERLAMP-REF	TD09,GPPS,T2,W145,L36.7,N	1	SA	LED
3	DA63-02132C	COVERH COOL	TD,HIPS,80,VIO BLUE	2	SA	ALL
4	DA97-0729A	ASSY COVERDAMPER	TD51,PP,,-,-,EXP,-,-	1	SA	RT63
	DA97-0729A		TD48/42,PP,,-,-,EXP,-,-	1	SA	RT59/54
	DA97-0729A		TD39,PP,,-,-,EXP,-,-	1	SA	RT50
4-1	DA63-0480A	COVERDAMPER	TD51,PP,T1.8,-,-,-,-,-	1	SA	
	DA63-0480A		TD48/42,PP,T1.8,-,-,-,-,-	1	SA	
	DA63-0480A		TD39,PP,T1.8,-,-,-,-,-	1	SA	
4-2	DA62-02100A	INSULATION-DAMPERA	TD51,FOAM-PS,-,-,-,-,-,-	1	SA	
4-3	DA67-10264K	CASE THERMO-DAMPER	TD-PJT,ABS,CAM :NATUR	1	SNA	
4-4	DA62-00721A	INSULATION-DAMPER(B)	TD,FOAM-PS,-,-,-,-,-,-	1	SNA	
4-5	DA64-0121B	KNOBTHERMO FFE	TD-PJT,ABS,-,-,-,COOL-WHITE,SC-0274R	1	SA	
4-6	DA62-00819B	SEA-COVERDAMPERM	TD-PJT,O.C-3000WHT,T7,-,-,-	1	SNA	
5	DA97-0184C	ASSY COVERPURIFIERL	TD-PJT,DECODORIZER,-,-	1	SNA	
5-1	DA02-90106S	CATALYS-LTC	ALL,T5,W40,L40	1	SNA	
5-2	DA63-02112B	COVERPURIFIERL	TD,PREJ-730,-,-,-,NO PRINT,SC-02740R,COOL WHITE	1	SA	
6	DA97-02285C	ASSY COVERPURIFIERR	TD-PJT,-,-,-	1	SNA	
6-1	DA02-90106S	CATALYS-LTC	ALL,T5,W40,L40	1	SNA	
6-2	DA63-02111A	COVERPURIFIERR	TD,PP,-,-,-,SC-02740R,COOL WHITE,BJ30	1	SA	
7	DA97-01863Q	ASSY-SHELF-REF	RT63/59,NO PRINT	3	SA	RT63/59M*
	DA97-05620E		RT54/50,NO PRINT	3	SA	RT54/50M*
7-1	DA64-0009B	TRIM-SHELF	A-TOP,LDPE,WHITE,-,-,-,-	2	SA	
7-2	DA64-0121A	TRIM-SHELF-REF	TD-PJT,ABS,-,-,-,GLASS	1	SA	
	DA64-0126A		TD-42/39,ABS,-,-,-,L6018,SC-02740R	1	SA	
7-3	DA67-01061U	SHELF GLASS	RT63/59,GLASS,T4.0,W634.5,L3	1	SNA	
	DA67-01061X		TD51/48,GLASS,T4.0,W637.5,L3	1	SNA	
	DA67-01061V		RT54/50,GLASS,T4.0,W588.5,L3	1	SNA	
	DA67-01061Z			1	SNA	
8	DA61-0501A	FRIL-VEG	TD51/48,HIPS,-,-,-,COOL WHITE,	1	SA	RT63/59*
9	DA63-0480B	COVER-VEG	TD51/48,ABS,-,-,-,-,COOL WHITE,	1	SA	RT63/59M*
	DA63-0481B		TD42/39,ABS,-,-,-,-,COOL WHITE,	1	SA	RT54/50M*
10	DA67-01061X	SHELF GLASS	TD51/48,GLASS,T4,W639,L310,PRINT,-	1	SNA	
	DA67-01061Z		TD42/39,GLASS,T4,W592,L292,PRINT,-	1	SNA	
11	DA97-07261A	ASSY CASEVEG	RT63/59,T2.0	2	SA	RT63/59*
	DA97-07262A		TD51/48,T2.0,-,-,-,-	1	SA	
11-1	DA61-0500A	CASEVEG	RT63/59,PP,T2.0,COOL WHITE	1	SA	
	DA61-0500A		RT54/50,PP,T2.0,COOL WHITE	1	SA	
11-2	DA64-02821A	TRIM-CASE VEG	TD51/48,GPPS,T2.0,-,-,-	1	SA	
12	DA97-07261A	ASSY CASEVEG	RT63/59,T2.0	1	SA	
	DA97-07262A		TD42/39,T2.0,-,-,-,-	1	SA	RT54/50*
12-1	DA61-0500A	CASEVEG	TD42/39,PP,T2.0,-,-,-,COOL WHITE,	1	SA	
12-2	DA64-02822A	TRIM-CASE VEG	TD42/39,GPPS,T2.0,-,-,-	1	SA	

## 5. EXPLODED VIEW PART LIST

### 5-3. Door (Electronical Type With Dispenser)



## 5. EXPLODED VIEW PART LIST

### • Parts List of Door

NO	CODE-NO	PART NAME	SPECIFICATION	Q'TY	SA/SNA	REMARK
1	DA91-02831N	ASSY DOOR FOAM FRE	RT63,SNOW WHITE,-,-,PCM,EE	1	SA	RT63
	DA91-02831P		RT63,SNOW WHITE,-,-,EMBO,EE			
	DA91-02831Q		RT63,METAL GRAY,-,-,VCM,EE			
	DA91-02831R		RT63,MATTE SILVER,-,-,PCM,EE			
	DA91-02831S		RT63,THAI SILVER,-,-,PET,EE			
	DA91-02831T		RT63,MARBLE BEIGE,-,-,PET,EE			
	DA91-02832W		RT59,SNOW WHITE,-,-,PCM,EE			RT59
	DA91-02833X		RT59,SNOW WHITE,-,-,EMBO,EE			
	DA91-02834Y		RT59,METAL GRAY,-,-,VCM,EE			
	DA91-02835Z		RT59,MATTE SILVER,-,-,PCM,EE			
	DA91-02837A		RT59,THAI SILVER,-,-,PET,EE			
	DA91-02837B		RT59,MARBLE BEIGE,-,-,PET,EE			
	DA91-02832A		RT54,SNOW WHITE,-,-,PCM,MM			RT54
	DA91-02832B		RT54,SNOW WHITE,-,-,EMBO,MM			
	DA91-02832C		RT54,METAL GRAY,-,-,VCM,MM			
	DA91-02832D		RT54,MATTE SILVER,-,-,PCM,MM			
	DA91-02832E		RT54,THAI SILVER,-,-,PET,MM			
	DA91-02832F		RT50,SNOW WHITE,-,-,PCM,MM			
	DA91-02832G		RT50,SNOW WHITE,-,-,EMBO,MM			
	DA91-02832H		RT50,METAL GRAY,-,-,VCM,MM			
	DA91-02832J		RT50,MATTE SILVER,-,-,PCM,MM			
	DA91-02832K		RT50,THAI SILVER,-,-,PET,MM			
	DA91-02832L		RT54,SNOW WHITE,-,-,PCM,EE			RT54
	DA91-02832M		RT54,SNOW WHITE,-,-,EMBO,EE			
	DA91-02832N		RT54,METAL GRAY,-,-,VCM,EE			
	DA91-02832P		RT54,MATTE SILVER,-,-,PCM,EE			
	DA91-02832Q		RT54,THAI SILVER,-,-,PET,EE			
	DA91-02832R		RT50,SNOW WHITE,-,-,PCM,EE			
DA91-02832S	RT50,SNOW WHITE,-,-,EMBO,EE					
DA91-02832T	RT50,METAL GRAY,-,-,VCM,EE					
DA91-02832U	RT50,MATTE SILVER,-,-,PCM,EE					
DA91-02832V	RT50,THAI SILVER,-,-,PET,EE					
2	DA97-07366A	ASSY GASKET DOOR FRE	TD51/48,TD09-PJT,W712,L496	1	SA	RT63/59*
	DA97-07366D		TD42/39,TD09-PJT,W665,L481			RT54/50*
3	DA64-01985A	MASCOT	SBS,AL,T1.6,-,L90,Fixing-type,siver,forging	1	SC	



## 5. EXPLODED VIEW PART LIST

### • Parts List of Door

NO	CODE-NO	PART NAME	SPECIFICATION	Q'TY	SA/SNA	REMARK
4	DA97-05821A	ASSY COVER-DISPLAY	MT-PJT,SEMI,-,-,-,-,SNOW WHITE,EXP	1	SA	
	DA97-05821B		MT/TD09-PJT,SEMI,STAINLESS SILVER,EXP			
	DA97-05821C		MT-PJT,SEMI,-,-,-,-,MARBLE BEIGE,EXP			
	DA97-05821D		MT-PJT,SEMI,-,-,-,-,CREAM WHITE,EXP			
	DA97-05821E		MT-PJT,SEMI,-,-,-,-,PLATINUM SILVER,DOM			
	DA97-05821G		MT-PJT,SEMI,-,-,-,-,MILLENNIUM BEIGE,DOM			
	DA97-05821H		TD09,SEMI,SEMI,SNOW WHITE(SC-97527R)			
	DA97-05821J		TD09,SEMI,SEMI,MARBLE BEIGE(DAC-BR0805R)			
	DA97-05821K		TD09,SEMI,DOM,SNOW WHITE			
	DA97-05821L		TD09,SEMI,RE			
	DA97-05821M		TD09,SEMI,RE			
4-1	6002-000466	SCREW-TAPPING	PH,+,-,2S,M3.O,L8,ZPC(WHT),MSWR10,-	4	SA	
4-2	DA64-02403A	BUTTON-DISPLAY	MT-PJT,ABS,-,-,SNOW WHITE,-	2	SNA	
	DA64-02403B		MT-PJT,ABS,-,-,STAINLESS SILVER,SPRAY			
	DA64-02403C		MT-PJT,ABS,-,-,MARBLE BEIGE,SPRAY			
	DA64-02403D		MT-PJT,ABS,-,-,CREAM WHITE,-			
	DA64-02403E		MT-PJT,ABS,-,-,PLATINUM SILVER,SPRAY			
	DA64-02403F		MT-PJT,ABS,-,-,MILLENNIUM BEIGE,SC-99460R			
	DA64-02403G		TD09-PJT,ABS,MARBLE BEIGE(DAC-BR0805R)			
	DA64-02403H		TD09-PJT,ABS,RE			
DA64-02403J	TD09-PJT,ABS,RE					
4-3	DA64-02402B	WINDOW-DISPLAY	MT-PJT,PC,T0.8,-,-,-,NTR,SEMI ELEC	1	SNA	
	DA64-02402C		MT-PJT,PC,T0.8,-,-,-,NTR,SEMI,DOM			
4-4	DA63-03984A	COVER-DISPLAY	MT-PJT,ABS,-,-,-,-,-	1	SA	
	DA63-03984B		TD09-PJT,ABS,-,-,-,-,SNOW WHITE(SC-97527R),-			
	DA63-03984C		TD09-PJT,ABS,MARBLE BEIGE(DAC-BR0805R)			
	DA63-03984D		TD09-PJT,ABS,RE			
	DA63-03984E		TD09-PJT,ABS,RE			
DA63-03984F	TD09-PJT,ABS,RE					
4-5	DA63-03990A	GASKET-DISPLAY	MT-PJT,SILICON,-,-,-,-,-	2	SNA	
4-6	DA41-00517A	PBA PANEL	MT-PJT,DOOR REF,FR-1,88*155.5*1.6T,YELLOW-GREEN,SEMI,12V,5V,-	1	SA	
5	DA97-05869A	ASSY HANDLE FRE	MT-PJT,-,-,-,-,-,SNOW WHITE,SC-97527R	1	SA	
	DA97-05869B		MT-PJT,-,-,-,-,-,CREAM WHITE,SC-01625R			
	DA97-05869C		MT-PJT,-,-,-,-,-,STAINLESS SILVER,SC-04433S			
	DA97-05869D		MT-PJT,-,-,-,-,-,VERSAILLES SILVER,SC-05061S			
	DA97-05869E		MT-PJT,-,-,-,-,-,MARBLE BEIGE,SC-07089S			
	DA97-05869F		MT-PJT,-,-,-,-,-,PLATINUM SILVER,-			
	DA97-05869G		MT-PJT,-,-,-,-,-,MARBLE BEIGE,SC-07089S			
	DA97-05869H		TD09-PJT,SNOW WHITE,M HANDLE			
	DA97-05869J		TD10-PJT,MARBLE BEIGE,M HANDLE			
	DA97-05869K		TD11-PJT,CREAM WHITE,DOM			
	DA97-05869L		TD09-PJT,STAINLESS SILVER SPRAY,B HANDLE			
	DA97-05869M		TD09-PJT,STAINLESS SILVER SPRAY,M HANDLE			
	DA97-05869N		TD09-PJT,RE			

## 5. EXPLODED VIEW PART LIST

### • Parts List of Door

NO	CODE-NO	PART NAME	SPECIFICATION	Q'TY	SA/SNA	REMARK
5-1	DA64-02400K	HANDLE BAR-FRE	TD09-PJT,ABS,STAINLESS SILVER SPRAY,SC-04433S	1	SA	
5-2	DA67-01876A	CAP-HANDLE FRE UPP	MT-PJT,ABS,-,-,NTR,CR	1	SNA	
5-3	DA67-01877A	CAP-HANDLE FRE LOW	MT-PJT,ABS,-,-,NTR,CR	1	SNA	
6	DA63-04789A	GUARD FRE UPP	TD51/48,SAN,T2.5,-,-,-	1	SA	
	DA63-04790A		TD42/39,SAN,T2.5,-,-,-			
7	DA63-04793A	GUARD LOW	TD51/48,SAN,T2.5,-,-,-	1	SA	
	DA63-04794A		TD42/39,SAN,T2.5,-,-,-			
8	DA91-02833Q	ASSY DOOR FOAM REF	RT63,SNOW WHITE,KEY NO,-,PCM,DISPENSER	1	SA	
	DA91-02833R		RT63,SNOW WHITE,KEY NO,-,EMBO,DISPENSER			
	DA91-02833S		RT63,METAL GRAY,KEY NO,-,VCM,DISPENSER			
	DA91-02833T		RT63,METTE SILVER,KEY NO,-,PCM,DISPENSER			
	DA91-02833U		RT63,THAI SILVER,KEY NO,-,PET,DISPENSER			
	DA91-02833V		RT63,MARBLE BEIGE,KEY NO,-,PET,DISPENSER			
	DA91-02833W		RT63,SNOW WHITE,KEY YES,-,PCM,DISPENSER			
	DA91-02833X		RT63,SNOW WHITE,KEY YES,-,EMBO,DISPENSER			
	DA91-02833Y		RT63,METAL GRAY,KEY YES,-,VCM,DISPENSER			
	DA91-02833Z		RT63,METTE SILVER,KEY YES,-,PCM,DISPENSER			
	DA91-02838A		RT63,THAI SILVER,KEY YES,-,PET,DISPENSER			
	DA91-02838B		RT63,MARBLE BEIGE,KEY YES,-,PET,DISPENSER			
	DA91-02834P		RT59,SNOW WHITE,KEY NO,-,PCM,DISPENSER			
	DA91-02834Q		RT59,SNOW WHITE,KEY NO,-,EMBO,DISPENSER			
	DA91-02834R		RT59,METAL GRAY,KEY NO,-,VCM,DISPENSER			
	DA91-02834S		RT59,METTE SILVER,KEY NO,-,PCM,DISPENSER			
	DA91-02834T		RT59,THAI SILVER,KEY NO,-,PET,DISPENSER			
	DA91-02834U		RT59,NORBLE BEIGE,KEY NO,-,PET,DISPENSER			
	DA91-02834V		RT59,SNOW WHITE,KEY YES,-,PCM,DISPENSER			
	DA91-02834W		RT59,SNOW WHITE,KEY YES,-,EMBO,DISPENSER			
DA91-02834X	RT59,METAL GRAY,KEY YES,-,VCM,DISPENSER					
DA91-02834Y	RT59,METTE SILVER,KEY YES,-,PCM,DISPENSER					
DA91-02834Z	RT59,THAI SILVER,KEY YES,-,PET,DISPENSER					
DA91-	RT59,NOBLE BEIGE,KEY YES,-,PET,DISPENSER					
9	DA97-07366B	ASSY-GASKET DOOR REF	TD51,TD09-PJT,W712,L1087	1	SA	
	DA97-07366C		TD48,TD09-PJT,W712,L1027			
	DA97-07366E		TD42,TD09-PJT,W665,L1042			
	DA97-07366F		TD39,TD09-PJT,W665,L1000			

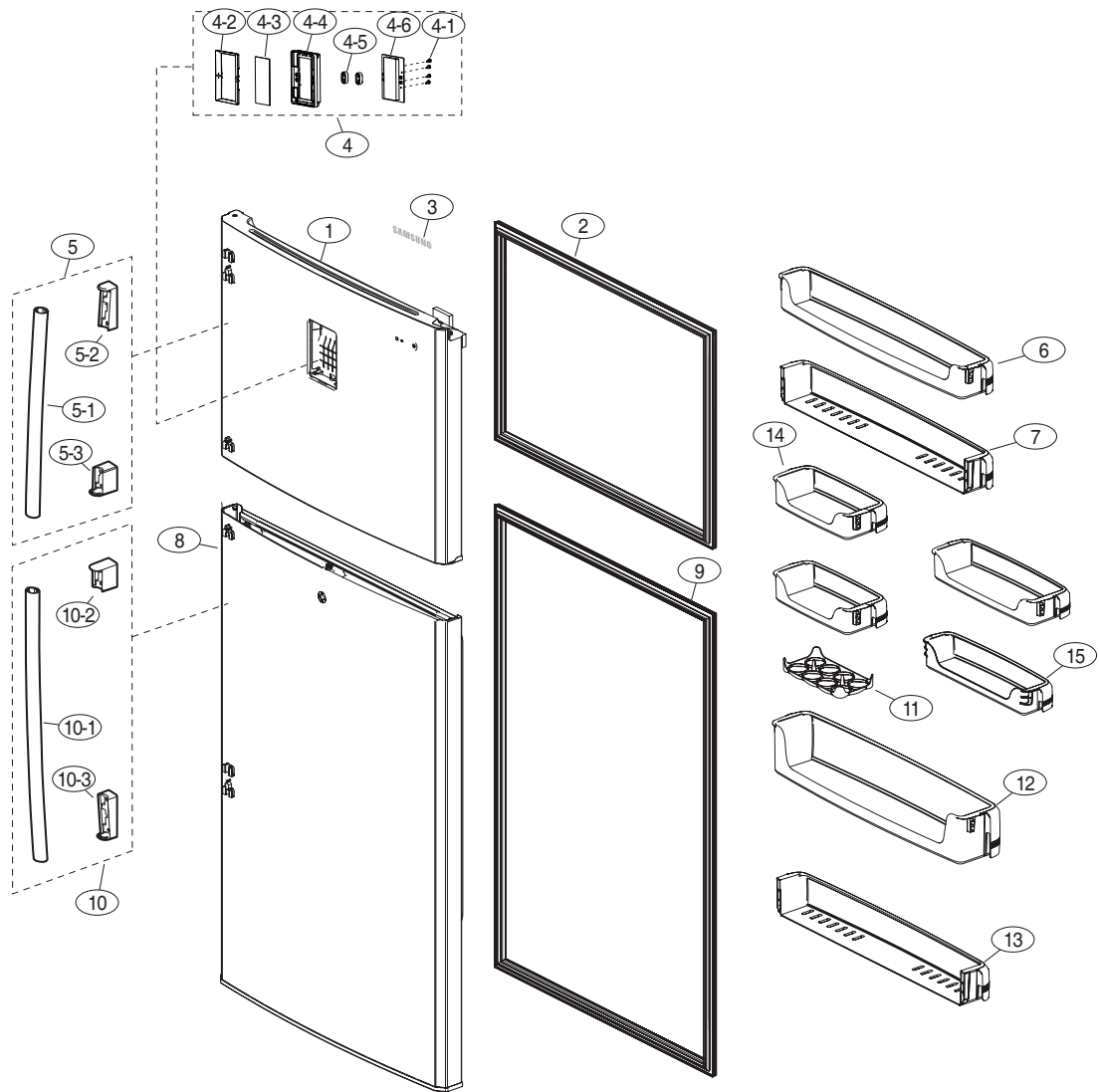
## 5. EXPLODED VIEW PART LIST

### • Parts List of Door

NO	CODE-NO	PART NAME	SPECIFICATION	Q'TY	SA/SNA	REMARK
10	DA97-05868A	ASSY HANDLE REF	MT-PJT,-,-,-,-,SNOW WHITE,SC-97527R,EXP	1	SA	
	DA97-05868B		MT-PJT,-,-,-,-,CREAM WHITE,SC-01625R,DOM			
	DA97-05868C		MT-PJT,-,-,-,-,STAINLESS SILVER,SC-04433S,EXP			
	DA97-05868D		MT-PJT,-,-,-,-,VERSAILLES SILVER,SC-05061S,EXP			
	DA97-05868E		MT-PJT,-,-,-,-,MARBLE BEIGE,SC-07089S,EXP			
	DA97-05868F		MT-PJT,-,-,-,-,PLATINUM SILVER,SC-05010S			
	DA97-05868G		MT-PJT,-,-,-,-,MARBLE BEIGE,SC-07089S			
	DA97-05868H		TD09-PJT,SNOW WHITE,M HANDLE			
	DA97-05868J		TD10-PJT,MARBLE BEIGE,M HANDLE			
	DA97-05868K		TD11-PJT,CREAM WHITE,DOM			
	DA97-05868L		TD09-PJT,STAINLESS SILVER SPRAY,B HANDLE			
	DA97-05868M		TD09-PJT,STAINLESS SILVER SPRAY,M HANDLE			
	DA97-05868N		TD09-PJT,RE			
	10-1		DA64-02399K			HANDLE BAR-REF
10-2	DA67-01878A	CAP-HANDLE REF UPP	MT-PJT,ABS,-,-,-,NTR,CR	1	SA	
10-3	DA67-01879A	CAP-HANDLE REF LOW	MT-PJT,ABS,-,-,-,NTR,CR	1	SA	
11	DA63-03869A	TRAY-EGG	TD-PJT,PP,T2,99,189,-,transparency,-	1	SC	
12	DA63-04791A	GUARD BOTTLE	TD51/48,SAN,T2.5,-,-,-,-	1	SA	
	DA63-04792A		TD42/39,SAN,T2.5,-,-,-,-		SA	
13	DA63-04793B	GUARD REF-LOW	TD51/48,GPPS,-,-,-,NTR,-	1	SA	
	DA63-04794B		TD42/39,GPPS,-,-,-,NTR,-		SA	
14	DA63-04795A	GUARD-DISPENSER	TD51/48,SAN,T2.0,-,-,-,-	1	SA	
15	DA63-04796A	GUARD VARIETY-R	TD09-PJT,SAN,T2.0,-,-,-,-	2	SA	
16	DA97-05812C	ASSY TANK WATER	TD09-PJT,COOL WHITE	1	SA	
16-1	DA63-03975B	COVER-WATER TANK	TD09-PJT,LDPE,COOL WHITE,SC-02740R	1	SA	
16-2	DA67-01054C	CAP-WATER TANK	TD09-PJT,PP,COOL WHITE,SC-02740R	1	SA	
16-3	DA67-01874A	TANK WATER	MT-PJT,PP,-,-,-,-,COOL WHITE,-	1	SA	
17	DA97-05778A	ASSY COVER-DISPENSER	MT-PJT,POM,-,-,-,-,SNOW WHITE,-	1	SA	
17-1	DA61-03990A	SPRING ETC-LEVER	MT-PJT,STS304,-,-,-,-,-,-,-,-,-	1	SA	
17-2	DA63-03968A	COVER DISPENSER	MT-PJT,ABS,-,-,-,-,SNOW WHITE,SC-97527R	1	SA	
17-3	DA64-02391A	KEY-LEVER	MT-PJT,POM,-,-,-,-,-	1	SA	
17-4	DA64-02401A	WINDOW-DISPENSER	MT-PJT,PC,-,-,-,-,-,-	1	SNA	
17-5	DA66-00530A	LEVER-DISPENSER	MT-PJT,PC,-,-,-,-,-,-	1	SA	
18	DA63-03966A	TRAY DISPENSER	MT-PJT,ABS,-,-,-,-,SNOW WHITE,SC-97527R	1	SA	
	DA63-03966D		TD09,ABS,-,-,-,-,THAI SILVER(SC-01649R),-			
	DA63-03966E		TD09,ABS,-,-,-,-,THAI SILVER(SC-01649R),-			
	DA63-03966F		TD09,ABS,-,-,-,-,THAI SILVER(SC-01649R),-			

## 5. EXPLODED VIEW PART LIST

### 5-3. Door (Electronical Type Without Dispenser)



## 5. EXPLODED VIEW PART LIST

### • Parts List of Door

NO	CODE-NO	PART NAME	SPECIFICATION	Q'TY	SA/SNA	REMARK
1	DA91-02831N	ASSY DOOR FOAM FRE	RT63,SNOW WHITE,-,-,PCM,EE	1	SA	RT63
	DA91-02831P		RT63,SNOW WHITE,-,-,EMBO,EE			
	DA91-02831Q		RT63,METAL GRAY,-,-,VCM,EE			
	DA91-02831R		RT63,MATTE SILVER,-,-,PCM,EE			
	DA91-02831S		RT63,THAI SILVER,-,-,PET,EE			
	DA91-02831T		RT63,MARBLE BEIGE,-,-,PET,EE			
	DA91-02832W		RT59,SNOW WHITE,-,-,PCM,EE			RT59
	DA91-02833X		RT59,SNOW WHITE,-,-,EMBO,EE			
	DA91-02834Y		RT59,METAL GRAY,-,-,VCM,EE			
	DA91-02835Z		RT59,MATTE SILVER,-,-,PCM,EE			
	DA91-02837A		RT59,THAI SILVER,-,-,PET,EE			
	DA91-02837B		RT59,MARBLE BEIGE,-,-,PET,EE			
	DA91-02832A		RT54,SNOW WHITE,-,-,PCM,MM			RT54
	DA91-02832B		RT54,SNOW WHITE,-,-,EMBO,MM			
	DA91-02832C		RT54,METAL GRAY,-,-,VCM,MM			
	DA91-02832D		RT54,MATTE SILVER,-,-,PCM,MM			
	DA91-02832E		RT54,THAI SILVER,-,-,PET,MM			
	DA91-02832F		RT50,SNOW WHITE,-,-,PCM,MM			
	DA91-02832G		RT50,SNOW WHITE,-,-,EMBO,MM			
	DA91-02832H		RT50,METAL GRAY,-,-,VCM,MM			
	DA91-02832J		RT50,MATTE SILVER,-,-,PCM,MM			
	DA91-02832K		RT50,THAI SILVER,-,-,PET,MM			
	DA91-02832L		RT54,SNOW WHITE,-,-,PCM,EE			RT54
	DA91-02832M		RT54,SNOW WHITE,-,-,EMBO,EE			
	DA91-02832N		RT54,METAL GRAY,-,-,VCM,EE			
	DA91-02832P		RT54,MATTE SILVER,-,-,PCM,EE			
	DA91-02832Q		RT54,THAI SILVER,-,-,PET,EE			
	DA91-02832R		RT50,SNOW WHITE,-,-,PCM,EE			
DA91-02832S	RT50,SNOW WHITE,-,-,EMBO,EE					
DA91-02832T	RT50,METAL GRAY,-,-,VCM,EE					
DA91-02832U	RT50,MATTE SILVER,-,-,PCM,EE					
DA91-02832V	RT50,THAI SILVER,-,-,PET,EE					
2	DA97-07366A	ASSY GASKET DOOR FRE	TD51/48,TD09-PJT,W712,L496	1	SA	RT63/59*
	DA97-07366D		TD42/39,TD09-PJT,W665,L481			RT54/50*
3	DA64-01985A	MASCOT	SBS,AL,T1.6,-,L90,Fixing-type,siver,forging	1	SC	

## 5. EXPLODED VIEW PART LIST

### • Parts List of Door

NO	CODE-NO	PART NAME	SPECIFICATION	Q'TY	SA/SNA	REMARK
4	DA97-05821A	ASSY COVER-DISPLAY	MT-PJT,SEMI,-,-,-,-,SNOW WHITE,EXP	1	SA	
	DA97-05821B		MT/TD09-PJT,SEMI,STAINLESS SILVER,EXP			
	DA97-05821C		MT-PJT,SEMI,-,-,-,-,MARBLE BEIGE,EXP			
	DA97-05821D		MT-PJT,SEMI,-,-,-,-,CREAM WHITE,EXP			
	DA97-05821E		MT-PJT,SEMI,-,-,-,-,PLATINUM SILVER,DOM			
	DA97-05821G		MT-PJT,SEMI,-,-,-,-,MILLENNIUM BEIGE,DOM			
	DA97-05821H		TD09,SEMI,SEMI,SNOW WHITE(SC-97527R)			
	DA97-05821J		TD09,SEMI,SEMI,MARBLE BEIGE(DAC-BR0805R)			
	DA97-05821K		TD09,SEMI,DOM,SNOW WHITE			
	DA97-05821L		TD09,SEMI,RE			
	DA97-05821M		TD09,SEMI,RE			
4-1	6002-000466	SCREW-TAPPING	PH,+,-,2S,M3.O,L8,ZPC(WHT),MSWR10,-	4	SA	
4-2	DA64-02403A	BUTTON-DISPLAY	MT-PJT,ABS,-,-,SNOW WHITE,-	2	SNA	
	DA64-02403B		MT-PJT,ABS,-,-,STAINLESS SILVER,SPRAY			
	DA64-02403C		MT-PJT,ABS,-,-,MARBLE BEIGE,SPRAY			
	DA64-02403D		MT-PJT,ABS,-,-,CREAM WHITE,-			
	DA64-02403E		MT-PJT,ABS,-,-,PLATINUM SILVER,SPRAY			
	DA64-02403F		MT-PJT,ABS,-,-,MILLENNIUM BEIGE,SC-99460R			
	DA64-02403G		TD09-PJT,ABS,MARBLE BEIGE(DAC-BR0805R)			
	DA64-02403H		TD09-PJT,ABS,RE			
DA64-02403J	TD09-PJT,ABS,RE					
4-3	DA64-02402B	WINDOW-DISPLAY	MT-PJT,PC,T0.8,-,-,-,NTR,SEMI ELEC	1	SNA	
	DA64-02402C		MT-PJT,PC,T0.8,-,-,-,NTR,SEMI,DOM			
4-4	DA63-03984A	COVER-DISPLAY	MT-PJT,ABS,-,-,-,-,-,-	1	SA	
	DA63-03984B		TD09-PJT,ABS,-,-,-,-,-,SNOW WHITE(SC-97527R),-			
	DA63-03984C		TD09-PJT,ABS,MARBLE BEIGE(DAC-BR0805R)			
	DA63-03984D		TD09-PJT,ABS,RE			
	DA63-03984E		TD09-PJT,ABS,RE			
DA63-03984F	TD09-PJT,ABS,RE					
4-5	DA63-03990A	GASKET-DISPLAY	MT-PJT,SILICON,-,-,-,-,-,-	2	SNA	
4-6	DA41-00517A	PBA PANEL	MT-PJT,DOOR REF,FR-1,88*155.5*1.6T,YELLOW-GREEN,SEMI,12V,5V,-	1	SA	
5	DA97-05869A	ASSY HANDLE FRE	MT-PJT,-,-,-,-,-,SNOW WHITE,SC-97527R	1	SA	
	DA97-05869B		MT-PJT,-,-,-,-,-,CREAM WHITE,SC-01625R			
	DA97-05869C		MT-PJT,-,-,-,-,-,STAINLESS SILVER,SC-04433S			
	DA97-05869D		MT-PJT,-,-,-,-,-,VERSAILLES SILVER,SC-05061S			
	DA97-05869E		MT-PJT,-,-,-,-,-,MARBLE BEIGE,SC-07089S			
	DA97-05869F		MT-PJT,-,-,-,-,-,PLATINUM SILVER,-			
	DA97-05869G		MT-PJT,-,-,-,-,-,MARBLE BEIGE,SC-07089S			
	DA97-05869H		TD09-PJT,SNOW WHITE,M HANDLE			
	DA97-05869J		TD10-PJT,MARBLE BEIGE,M HANDLE			
	DA97-05869K		TD11-PJT,CREAM WHITE,DOM			
	DA97-05869L		TD09-PJT,STAINLESS SILVER SPRAY,B HANDLE			
	DA97-05869M		TD09-PJT,STAINLESS SILVER SPRAY,M HANDLE			
	DA97-05869N		TD09-PJT,RE			

## 5. EXPLODED VIEW PART LIST

### • Parts List of Door

NO	CODE-NO	PART NAME	SPECIFICATION	Q'TY	SA/SNA	REMARK
5-1	DA64-02400K	HANDLE BAR-FRE	TD09-PJT,ABS,STAINLESS SILVER SPRAY,SC-04433S	1	SA	
5-2	DA67-01876A	CAP-HANDLE FRE UPP	MT-PJT,ABS,-,-,NTR,CR	1	SNA	
5-3	DA67-01877A	CAP-HANDLE FRE LOW	MT-PJT,ABS,-,-,NTR,CR	1	SNA	
6	DA63-04789A	GUARD FRE UPP	TD51/48,SAN,T2.5,-,-,-	1	SA	
	DA63-04790A		TD42/39,SAN,T2.5,-,-,-			
7	DA63-04793A	GUARD LOW	TD51/48,SAN,T2.5,-,-,-	1	SA	
	DA63-04794A		TD42/39,SAN,T2.5,-,-,-			
8	DA91-02833A	ASSY DOOR FOAM REF	RT63,SNOW WHITE,KEY NO,-,PCM,NO DISP	1	SA	RT63
	DA91-02833B		RT63,SNOW WHITE,KEY NO,-,EMBO,NO DISP			
	DA91-02833C		RT63,METAL GRAY,KEY NO,-,VCM,NO DISP			
	DA91-02833D		RT63,METTE SILVER,KEY NO,-,PCM,NO DISP			
	DA91-02833E		RT63,THAI SILVER,KEY NO,-,PET,NO DISP			
	DA91-02833F		RT63,MARBLE BEIGE,KEY NO,-,PET,NO DISP			
	DA91-02833J		RT63,SNOW WHITE,KEY YES,-,PCM,NO DISP			RT63(WITH KEY)
	DA91-02833K		RT63,SNOW WHITE,KEY YES,-,EMBO,NO DISP			
	DA91-02833L		RT63,METAL GRAY,KEY YES,-,VCM,NO DISP			
	DA91-02833M		RT63,METTE SILVER,KEY YES,-,PCM,NO DISP			
	DA91-02833N		RT63,THAI SILVER,KEY YES,-,PET,NO DISP			
	DA91-02833P		RT63,MARBLE BEIGE,KEY YES,-,PET,NO DISP			
	DA91-02834A		RT59,SNOW WHITE,KEY NO,-,PCM,NO DISP			RT59
	DA91-02834B		RT59,SNOW WHITE,KEY NO,-,EMBO,NO DISP			
	DA91-02834C		RT59,METAL GRAY,KEY NO,-,VCM,NO DISP			
	DA91-02834D		RT59,METTE SILVER,KEY NO,-,PCM,NO DISP			
	DA91-02834E		RT59,THAI SILVER,KEY NO,-,PET,NO DISP			
	DA91-02834F		RT59,NORBLE BEIGE,KEY NO,-,PET,NO DISP			
	DA91-02834H		RT59,SNOW WHITE,KEY YES,-,PCM,NO DISP			RT59(WITH KEY)
	DA91-02834J		RT59,SNOW WHITE,KEY YES,-,EMBO,NO DISP			
	DA91-02834K		RT59,METAL GRAY,KEY YES,-,VCM,NO DISP			
	DA91-02834L		RT59,METTE SILVER,KEY YES,-,PCM,NO DISP			
	DA91-02834M		RT59,THAI SILVER,KEY YES,-,PET,NO DISP			
	DA91-02834N		RT59,NORBLE BEIGE,KEY YES,-,PET,NO DISP			
	DA91-02835A		RT54,SNOW WHITE,KEY NO,-,PCM,-			RT54
	DA91-02835B		RT54,SNOW WHITE,KEY NO,-,EMBO,-			
	DA91-02835C		RT54,METAL GRAY,KEY NO,-,VCM,-			
	DA91-02835D		RT54,METTE SILVER,KEY NO,-,PCM,-			
	DA91-02835E		RT54,THAI SILVER,KEY NO,-,PET,-			
	DA91-02835F		RT54,SNOW WHITE,KEY YES,-,PCM,-			
	DA91-02835G		RT54,SNOW WHITE,KEY YES,-,EMBO,-			RT54(WITH KEY)
	DA91-02835H		RT54,METAL GRAY,KEY YES,-,VCM,-			
DA91-02835J	RT54,METTE SILVER,KEY YES,-,PCM,-					
DA91-02835K	RT54,THAI SILVER,KEY YES,-,PET,-					

## 5. EXPLODED VIEW PART LIST

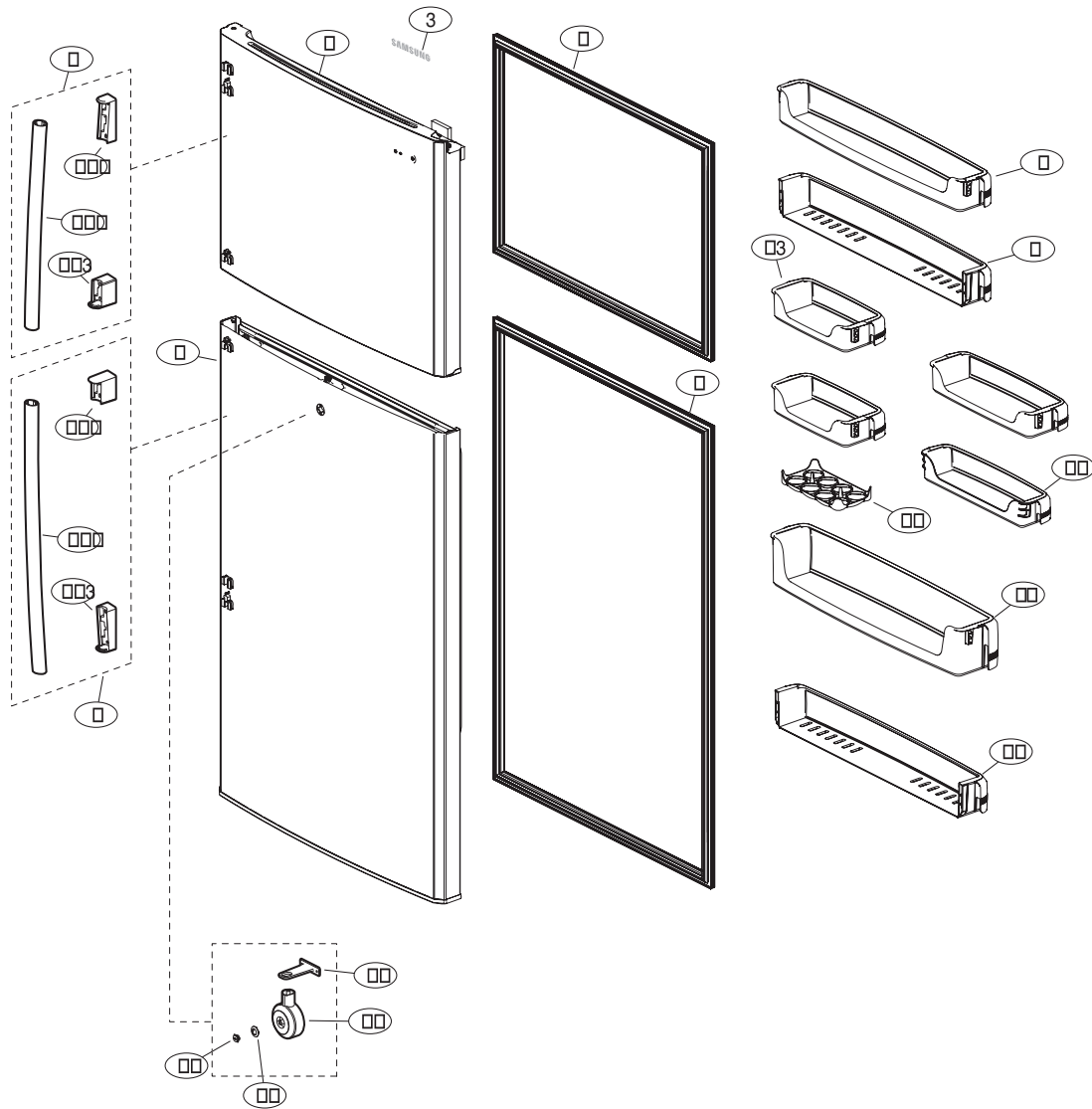
### • Parts List of Door

NO	CODE-NO	PART NAME	SPECIFICATION	Q'TY	SA/SNA	REMARK
8	DA91-02836A	ASSY DOOR FOAM REF	RT50,SNOW WHITE,KEY NO,-,PCM,-	1	SA	RT50
	DA91-02836B		RT50,SNOW WHITE,KEY NO,-,EMBO,-			
	DA91-02836C		RT50,METAL GRAY,KEY NO,-,VCM,-			
	DA91-02836D		RT50,METTE SILVER,KEY NO,-,PCM,-			
	DA91-02836E		RT50,THAI SILVER,KEY NO,-,PET,-			RT50(WITH KEY)
	DA91-02835F		RT50,SNOW WHITE,KEY YES,-,PCM,-			
	DA91-02835G		RT50,SNOW WHITE,KEY YES,-,EMBO,-			
	DA91-02835H		RT50,METAL GRAY,KEY YES,-,VCM,-			
	DA91-02835J		RT50,METTE SILVER,KEY YES,-,PCM,-			
	DA91-02835K		RT50,THAI SILVER,KEY YES,-,PET,-			
9	DA97-07366B	ASSY-GASKET DOOR REF	TD51,TD09-PJT,W712,L1087	1	SA	
	DA97-07366C		TD48,TD09-PJT,W712,L1027			
	DA97-07366E		TD42,TD09-PJT,W665,L1042			
	DA97-07366F		TD39,TD09-PJT,W665,L1000			
10	DA97-05868A	ASSY HANDLE REF	MT-PJT,-,-,-,-,SNOW WHITE,SC-97527R,EXP	1	SA	
	DA97-05868B		MT-PJT,-,-,-,-,CREAM WHITE,SC-01625R,DOM			
	DA97-05868C		MT-PJT,-,-,-,-,STAINLESS SILVER,SC-04433S,EXP			
	DA97-05868D		MT-PJT,-,-,-,-,VERSAILLES SILVER,SC-05061S,EXP			
	DA97-05868E		MT-PJT,-,-,-,-,MARBLE BEIGE,SC-07089S,EXP			
	DA97-05868F		MT-PJT,-,-,-,-,PLATINUM SILVER,SC-05010S			
	DA97-05868G		MT-PJT,-,-,-,-,MARBLE BEIGE,SC-07089S			
	DA97-05868H		TD09-PJT,SNOW WHITE,M HANDLE			
	DA97-05868J		TD10-PJT,MARBLE BEIGE,M HANDLE			
	DA97-05868K		TD11-PJT,CREAM WHITE,DOM			
	DA97-05868L		TD09-PJT,STAINLESS SILVER SPRAY,B HANDLE			
	DA97-05868M		TD09-PJT,STAINLESS SILVER SPRAY,M HANDLE			
DA97-05868N	TD09-PJT,RE					
10-1	DA64-02399K	HANDLE BAR-REF	TD09-PJT,ABS,STAINLESS SILVER SPRAY,SC-04433S	1	SA	
10-2	DA67-01878A	CAP-HANDLE REF UPP	MT-PJT,ABS,-,-,-,NTR,CR	1	SA	
10-3	DA67-01879A	CAP-HANDLE REF LOW	MT-PJT,ABS,-,-,-,NTR,CR	1	SA	
11	DA63-03869A	TRAY-EGG	TD-PJT,PP,T2,99,189,-,transparency,-	1	SC	
12	DA63-04791A	GUARD BOTTLE	TD51/48,SAN,T2.5,-,-,-,-	1	SA	
	DA63-04792A		TD42/39,SAN,T2.5,-,-,-,-			
13	DA63-04793B	GUARD REF-LOW	TD51/48,GPPS,-,-,-,NTR,-	1	SA	
	DA63-04794B		TD42/39,GPPS,-,-,-,NTR,-			
14	DA63-04796A	GUARD VARIETY-R	TD09-PJT,SAN,T2.0,-,-,-,-	2	SA	
15	DA63-04797A	GUARD VARIETY-L	TD51/48,SAN,T2.0,-,-,-,-	2	SA	
	DA63-04798A		TD42/39,SAN,T2.0,-,-,-,-			



## 5. EXPLODED VIEW PART LIST

### 5-3. Door (Mechanical Type)



## 5. EXPLODED VIEW PART LIST

### • Parts List of Door

NO	CODE-NO	PART NAME	SPECIFICATION	Q'TY	SA/SNA	REMARK
1	DA91-02831A	ASSY DOOR FOAM FRE	RT63,SNOW WHITE,-,-,PCM,MM	1	SA	RT63
	DA91-02831B		RT63,SNOW WHITE,-,-,EMBO,MM			
	DA91-02831C		RT63,METAL GRAY,-,-,VCM,MM			
	DA91-02831D		RT63,MATTE SILVER,-,-,PCM,MM			
	DA91-02831E		RT63,THAI SILVER,-,-,PET,MM			
	DA91-02831F		RT63,MARBLE BEIGE,-,-,PET,MM			
	DA91-02831G		RT59,SNOW WHITE,-,-,PCM,MM			RT59
	DA91-02831H		RT59,SNOW WHITE,-,-,EMBO,MM			
	DA91-02831J		RT59,METAL GRAY,-,-,VCM,MM			
	DA91-02831K		RT59,MATTE SILVER,-,-,PCM,MM			
	DA91-02831L		RT59,THAI SILVER,-,-,PET,MM			
	DA91-02831M		RT59,MARBLE BEIGE,-,-,PET,MM			
	DA91-02832A		RT54,SNOW WHITE,-,-,PCM,MM			RT54
	DA91-02832B		RT54,SNOW WHITE,-,-,EMBO,MM			
	DA91-02832C		RT54,METAL GRAY,-,-,VCM,MM			
	DA91-02832D		RT54,MATTE SILVER,-,-,PCM,MM			
	DA91-02832E		RT54,THAI SILVER,-,-,PET,MM			
	DA91-02832F		RT50,SNOW WHITE,-,-,PCM,MM			
	DA91-02832G		RT50,SNOW WHITE,-,-,EMBO,MM			
	DA91-02832H		RT50,METAL GRAY,-,-,VCM,MM			
DA91-02832J	RT50,MATTE SILVER,-,-,PCM,MM					
DA91-02832K	RT50,THAI SILVER,-,-,PET,MM					
2	DA97-07366A	ASSY GASKET DOOR FRE	TD51/48,TD09-PJT,W712,L496	1	SA	RT63/59*
	DA97-07366D		TD42/39,TD09-PJT,W665,L481			RT54/50*
3	DC64-02707A	MASCOT	WF431 / DV43,NICKEL,T0.05,W80,L12	1	SC	ALL
4	DA97-05869A	ASSY HANDLE FRE	MT-PJT,-,-,-,SNOW WHITE,SC-97527R	1	SA	ALL
	DA97-05869B		MT-PJT,-,-,-,CREAM WHITE,SC-01625R			
	DA97-05869C		MT-PJT,-,-,-,STAINLESS SILVER,SC-04433S			
	DA97-05869D		MT-PJT,-,-,-,VERSAILLES SILVER,SC-05061S			
	DA97-05869E		MT-PJT,-,-,-,MARBLE BEIGE,SC-07089S			
	DA97-05869F		MT-PJT,-,-,-,PLATINUM SILVER,-			
	DA97-05869G		MT-PJT,-,-,-,MARBLE BEIGE,SC-07089S			
	DA97-05869H		TD09-PJT,SNOW WHITE,M HANDLE			
	DA97-05869J		TD10-PJT,MARBLE BEIGE,M HANDLE			
	DA97-05869K		TD11-PJT,CREAM WHITE,DOM			
	DA97-05869L		TD09-PJT,STAINLESS SILVER SPRAY,B HANDLE			
	DA97-05869M		TD09-PJT,STAINLESS SILVER SPRAY,M HANDLE			
DA97-05869N	TD09-PJT,RE					
4-1	DA64-02400A	HANDLE BAR-FRE	MT-PJT,ABS,-,-,-,SNOW W	1	SA	
4-2	DA67-01876B	CAP-HANDLE FRE UPP	TD09-PJT,ABS,-,-,-,SN	1	SNA	
4-3	DA67-01877B	CAP-HANDLE FRE LOW	TD09-PJT,ABS,-,-,-,SN	1	SNA	
5	DA63-04789B	GUARD FRE UPP	RT63/59,GPPS,TRANSPARENCY,	1	SA	
	DA63-04790B		TD42/39,GPPS,TRANSPARENCY,			

## 5. EXPLODED VIEW PART LIST

### • Parts List of Door

NO	CODE-NO	PART NAME	SPECIFICATION	Q'TY	SA/SNA	REMARK	
6	DA63-04793B	GUARD LOW	TD59/63,GPPS, TRANSPARENCY	1	SA		
	DA63-04794B		TD42/39,GPPS, TRANSPARENCY				
	DA91-02833A		RT63,SNOW WHITE,KEY NO,-,PCM,NO DISP	1	SA	RT63	
	DA91-02833B		RT63,SNOW WHITE,KEY NO,-,EMBO,NO DISP				
	DA91-02833C		RT63,METAL GRAY,KEY NO,-,VCM,NO DISP				
	DA91-02833D		RT63,METTE SILVER,KEY NO,-,PCM,NO DISP				
	DA91-02833E		RT63,THAI SILVER,KEY NO,-,PET,NO DISP				
	DA91-02833F		RT63,MARBLE BEIGE,KEY NO,-,PET,NO DISP				
	DA91-02833J		RT63,SNOW WHITE,KEY YES,-,PCM,NO DISP			RT63(WITH KEY)	
	DA91-02833K		RT63,SNOW WHITE,KEY YES,-,EMBO,NO DISP				
	DA91-02833L		RT63,METAL GRAY,KEY YES,-,VCM,NO DISP				
	DA91-02833M		RT63,METTE SILVER,KEY YES,-,PCM,NO DISP				
	DA91-02833N		RT63,THAI SILVER,KEY YES,-,PET,NO DISP				
	DA91-02833P		RT63,MARBLE BEIGE,KEY YES,-,PET,NO DISP				
	DA91-02834A		RT59,SNOW WHITE,KEY NO,-,PCM,NO DISP			RT59	
	DA91-02834B		RT59,SNOW WHITE,KEY NO,-,EMBO,NO DISP				
	DA91-02834C		RT59,METAL GRAY,KEY NO,-,VCM,NO DISP				
	DA91-02834D		RT59,METTE SILVER,KEY NO,-,PCM,NO DISP				
	DA91-02834E		RT59,THAI SILVER,KEY NO,-,PET,NO DISP				
	DA91-02834F		RT59,NORBLE BEIGE,KEY NO,-,PET,NO DISP				
	DA91-02834H		RT59,SNOW WHITE,KEY YES,-,PCM,NO DISP			RT59(WITH KEY)	
	7		ASSY DOOR FOAM REF				DA91-02834J
DA91-02834K	RT59,METAL GRAY,KEY YES,-,VCM,NO DISP						
DA91-02834L	RT59,METTE SILVER,KEY YES,-,PCM,NO DISP						
DA91-02834M	RT59,THAI SILVER,KEY YES,-,PET,NO DISP						
DA91-02834N	RT59,NORBLE BEIGE,KEY YES,-,PET,NO DISP						
DA91-02835A	RT54,SNOW WHITE,KEY NO,-,PCM,-	RT54					
DA91-02835B	RT54,SNOW WHITE,KEY NO,-,EMBO,-						
DA91-02835C	RT54,METAL GRAY,KEY NO,-,VCM,-						
DA91-02835D	RT54,METTE SILVER,KEY NO,-,PCM,-						
DA91-02835E	RT54,THAI SILVER,KEY NO,-,PET,-						
DA91-02835F	RT54,SNOW WHITE,KEY YES,-,PCM,-						
DA91-02835G	RT54,SNOW WHITE,KEY YES,-,EMBO,-	RT54(WITH KEY)					
DA91-02835H	RT54,METAL GRAY,KEY YES,-,VCM,-						
DA91-02835J	RT54,METTE SILVER,KEY YES,-,PCM,-						
DA91-02835K	RT54,THAI SILVER,KEY YES,-,PET,-						
DA91-02836A	RT50,SNOW WHITE,KEY NO,-,PCM,-			RT50			
DA91-02836B	RT50,SNOW WHITE,KEY NO,-,EMBO,-						
DA91-02836C	RT50,METAL GRAY,KEY NO,-,VCM,-						
DA91-02836D	RT50,METTE SILVER,KEY NO,-,PCM,-						
DA91-02836E	RT50,THAI SILVER,KEY NO,-,PET,-						

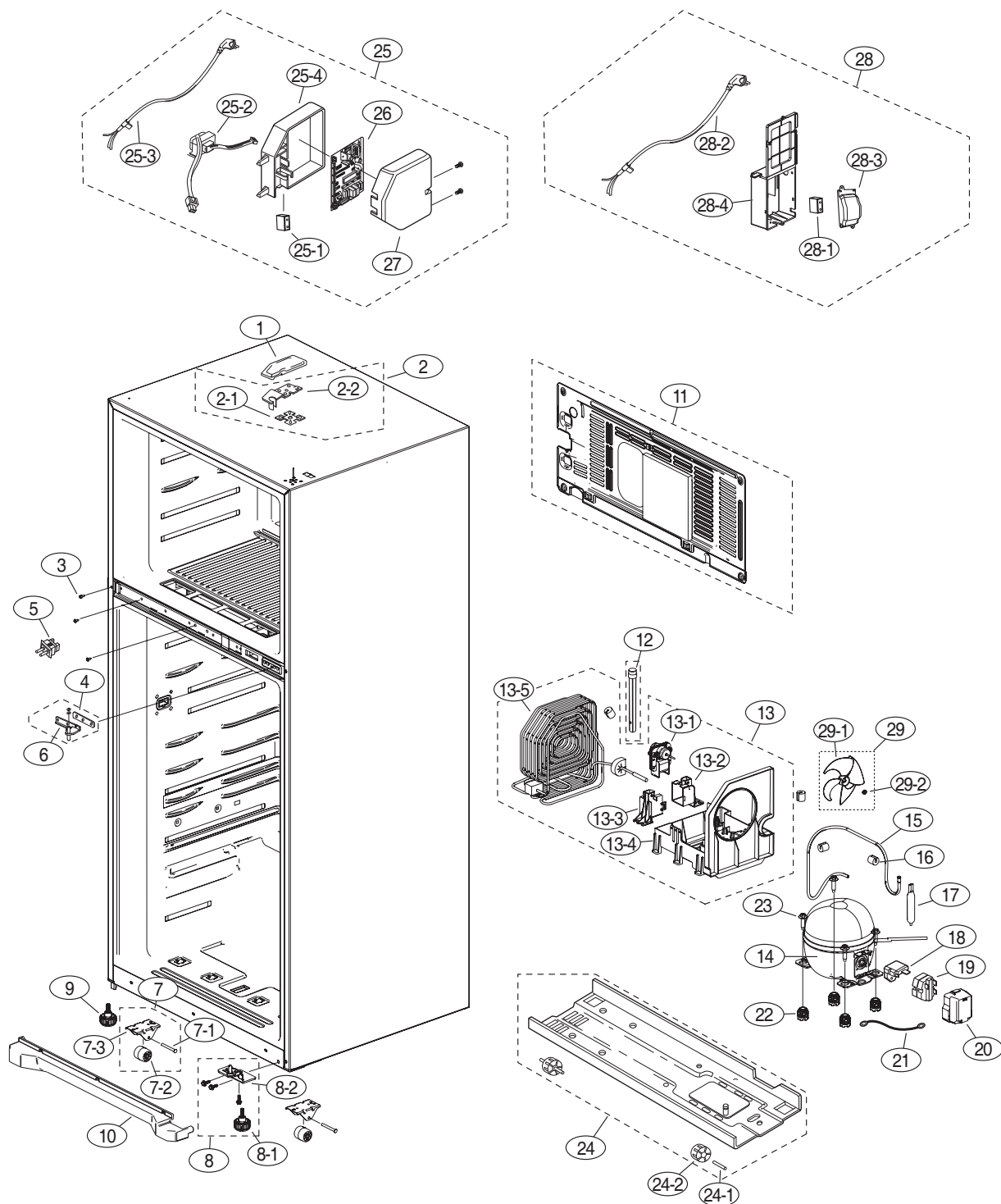
## 5. EXPLODED VIEW PART LIST

### • Parts List of Door

NO	CODE-NO	PART NAME	SPECIFICATION	Q'TY	SA/SNA	REMARK
7	DA91-02835F	ASSY DOOR FOAM REF	RT50,SNOW WHITE,KEY YES,-,PCM,-	1	SA	RT50(WITH KEY)
	DA91-02835G		RT50,SNOW WHITE,KEY YES,-,EMBO,-			
	DA91-02835H		RT50,METAL GRAY,KEY YES,-,VCM,-			
	DA91-02835J		RT50,METTE SILVER,KEY YES,-,PCM,-			
	DA91-02835K		RT50,THAI SILVER,KEY YES,-,PET,-			
8	DA97-07366B	ASSY-GASKET DOOR REF	TD51,TD09-PJT,W712,L1087	1	SA	
	DA97-07366C		TD48,TD09-PJT,W712,L1027			
	DA97-07366E		TD42,TD09-PJT,W665,L1042			
	DA97-07366F		TD39,TD09-PJT,W665,L1000			
9	DA97-05868A	ASSY HANDLE REF	MT-PJT,-,-,-,-,SNOW WHITE,SC-97527R,EXP	1	SA	
	DA97-05868B		MT-PJT,-,-,-,-,CREAM WHITE,SC-01625R,DOM			
	DA97-05868C		MT-PJT,-,-,-,-,STAINLESS SILVER,SC-04433S,EXP			
	DA97-05868D		MT-PJT,-,-,-,-,VERSAILLES SILVER,SC-05061S,EXP			
	DA97-05868E		MT-PJT,-,-,-,-,MARBLE BEIGE,SC-07089S,EXP			
	DA97-05868F		MT-PJT,-,-,-,-,PLATINUM SILVER,SC-05010S			
	DA97-05868G		MT-PJT,-,-,-,-,MARBLE BEIGE,SC-07089S			
	DA97-05868H		TD09-PJT,SNOW WHITE,M HANDLE			
	DA97-05868J		TD10-PJT,MARBLE BEIGE,M HANDLE			
	DA97-05868K		TD11-PJT,CREAM WHITE,DOM			
	DA97-05868L		TD09-PJT,STAINLESS SILVER SPRAY,B HANDLE			
	DA97-05868M		TD09-PJT,STAINLESS SILVER SPRAY,M HANDLE			
	DA97-05868N		TD09-PJT,RE			
9-1	DA64-02399A	HANDLE BAR-REF	TD09-PJT,ABS,STAINLESS SILVER SPRAY,SC-04433S	1	SA	
9-2	DA67-01878B	CAP-HANDLE REF UPP	TD09-PJT,ABS,-,-,-,SN	1	SA	
9-3	DA67-01879B	CAP-HANDLE REF LOW	TD09-PJT,ABS,-,-,-,SN	1	SA	
10	DA63-03869A	TRAY-EGG	TD-PJT,PP,T2,99,189,-,transparency,-	1	SC	
11	DA63-04791A	GUARD BOTTLE	RT63/59,GPPS,TRANSPARENCY	1	SA	
	DA63-04792A		TD42/39,HIGH POLYMER PS,TRA			
12	DA63-04793B	GUARD REF-LOW	TD51/48,GPPS,-,-,-,NTR,-	1	SA	
	DA63-04794B		TD42/39,GPPS,-,-,-,NTR,-			
13	DA63-04796A	GUARD VARIETY-R	TD09-PJT,SAN,T2.0,-,-,-,-	2	SA	
14	DA63-04797A	GUARD VARIETY-L	TD51/48,SAN,T2.0,-,-,-,-	2	SA	
	DA63-04798A		TD42/39,SAN,T2.0,-,-,-,-			
15	DA61-04967A	BRACKET-LOCK	TD-PJT,ABS,-,W66,L73,-,-	1	SA	'JUM,'XTL,'ATC','FAL
16	DA67-00029A	CASE-LOCK,ASSY	ASSY,-,-,-,-,OPTION	1	SNA	'JUM,'XTL,'ATC','FAL
17	DA71-00008B	HOLDER-KEY,A	T3-PJT,ABS,-,-,-,SC-01649R,-	1	SA	'JUM,'XTL,'ATC','FAL
18	DA71-00009A	HOLDER-KEY,B	T3-PJT,ABS(MP-0160),-,-,-,-,-	1	SA	'JUM,'XTL,'ATC','FAL

5. EXPLODED VIEW PART LIST

5-4. Cabinet - Bulb Type



## 5. EXPLODED VIEW PART LIST

### • Parts List of Cabinet

NO	CODE-NO	PART NAME	SPECIFICATION	Q'TY	SA/SNA	REMARK
1	DA67-00967A	CAP HINGE UPP	S3-PJT,ABS,-,-,-,SC-97527R,-	1	SA	
	DA67-00967B		S3-PJT,ABS,-,-,-,SC-96510R,NOBLE BEIGE			
	DA67-00967C		S3-PJT,ABS,-,-,-,SC-95464R,METAL GRAY			
	DA67-00967H		S3-PJT,ABS,-,-,-,SC-01582R,CREAM WHITE			
	DA67-00967M		S3-PJT,ABS,-,-,-,SC-01649R,-THAI SILVER			
	DA67-00967T		S3-PJT,ABS,-,-,-,MARBLE BEIGE(DAC-VR0805R),HG-0760H			
2	DA61-10205A	HINGE UPP	M-PJT,SCP1,T3.2,-,-,-,DEEPIING	1	SNA	
3	DA67-30218R	CAP-SCREW	-.PP,-,-,-,SC-97527R,SNOW WHITE	1	SA	
	DA67-30218L		-.PP,-,-,-,-			
	DA67-00322F		OMEGA,PP,-,-,-,SC-01625R,-			
	DA67-00322G		EXP,PP,-,-,-,SC-01649R,-			
	DA67-00322X		TD-PJT,PP,-,-,-,SC-07009R,CREAMY STS			
4	DA60-40106A	WASHER PLAIN	-.ID11.5,OD16,T0.5,-,-,-,STS30	1	SA	
5	DA34-00006C	DOOR SWITCH	-.2 BUTTON,PE-PC-PBT,-,125/ 250VAC,-,1.5/ 0.7A,-,-,4 PIN,0-500,ON-OFF,-,SC93437R,60, 120 mohm MAX,-,100MOHM,-	1	SC	
	DA34-00048A	SWITCH DOOR-WATER RESISTANT	-.2 BUTTON,Polyester-PC alloy,-,125/ 250VAC,-,1.5/ 0.7A,-,-,4 PIN,-,ON-OFF,-,-,60, 120 mohm MAX,-,100M OHM,-	1	SC	
6	DA97-02400D	ASSY HINGE MID	MT-PJT,T4.0,-,-,-,-,SHIM (HIPS,T0.5)	1	SA	
7	DA97-02361A	ASSY-CASTER FRONT	TD-PJT,-,-,-,-	2	SNA	
7-1	DA60-90124A	RIVET	-.MSWR10,OD6.0,-,-,L56,-,-,-	1	SA	
7-2	DA61-00176A	CASTER-FRONT	-.PP,-,OD40,NTR,-,-	1	SNA	
7-3	DA71-10533A	REINF-CASTER	U-PJT,HGI,T1.6,-,-,-,-	1	SA	
8	DA97-07299A	ASSY HINGE LOW	TD09-PJT,T4.0,-,-,-,-	1	SA	
8-1	DA61-01051B	FOOT-FRONT	T3,OMEGA,W2,PP,-,SC-93437R,-,-,-	1	SA	
8-2	DA61-05027A	HINGE-LOW	TD09,SHP1,T4.0,-,-,-,-	1	SA	
9	DA61-01051B	FOOT-FRONT	T3,OMEGA,W2,PP,-,SC-93437R,-,-,-	1	SA	
10	DA63-02110A	COVER LEG FRONT	TD-PJT,PP,-,-,-,-,SNOW WHITE,BJ-730	1	SA	
	DA63-02110B		TD-PJT,ABS,-,-,-,-,SC-01649R,THAI SILVER			
	DA63-02110C		TD-50/47,PP,-,-,-,-,SC-01625T,CREAM-WHT			
	DA63-02110D		TD-50/47,ABS,-,-,-,-,SC-95464R,METAL GRAY			
	DA63-02110J		TD,ABS,-,-,-,-,SC-96510R,NOBLE BEIGE			
	DA63-02110K		TD-PJT,PP,-,-,-,-,MARBLE BEIGE(DAC-BR0805R),BJ-730			
11	DA97-01864L	ASSY COVER COMP	TD-50/47,L749,W287.8,-	1	SA	
	DA97-01864M		TD-42/39,EXP,-,-			
12	DA97-04048A	ASSY TUBE DRAIN	TD-PJT,SOFT-PVC	1	SA	
13	DA97-05099L	ASSY TRAY-DRAIN WATER	TD09,-,206,213,-,220/50-60	1	SA	
13-1	DA31-10110Y	MOTOR FAN-AC	IS-27213SCC7C,TD09,-,50/60Hz,-,220-240V,1700/1400,50,60Hz,AC 230V,-,-,-	1	SA	
13-2	DA61-05132A	BRACKET-MOTOR L	TD09,PP,-,68.5,72.2,NTR,UL94, 5VA	1	SA	
13-3	DA61-05133A	BRACKET-MOTOR R	TD09,PP,-,68.5,72.2,NTR,UL94, 5VA	1	SA	
13-4	DA63-03655B	TRAY DRAIN-WATER	TD-PJT,PP SCRAP,-,W210.8,L235,-,-,-	1	SA	
13-5	DA97-05098B	ASSY PIPE-SUB COND	TD-PJT,-	1	SA	
14	MK183GL2U/E08	COMPRESSOR	200-240V-50HZ,220V-60HZ,RSCR,FAN	1		A+
	MK183QL2U/E17		8.19CC,220-240V-50HZ,RSCR			
15	DA63-40171B	GROMMET-SUCT PIPE A	-.NBR,OD20,ID4,L20,-,-,Brown,-	1	SA	
16	DA63-40171D	GROMMET-SUCT PIPE B	RAIL L19.5,NR,-,OD20,ID6,-,-,Brown,-	2	SA	

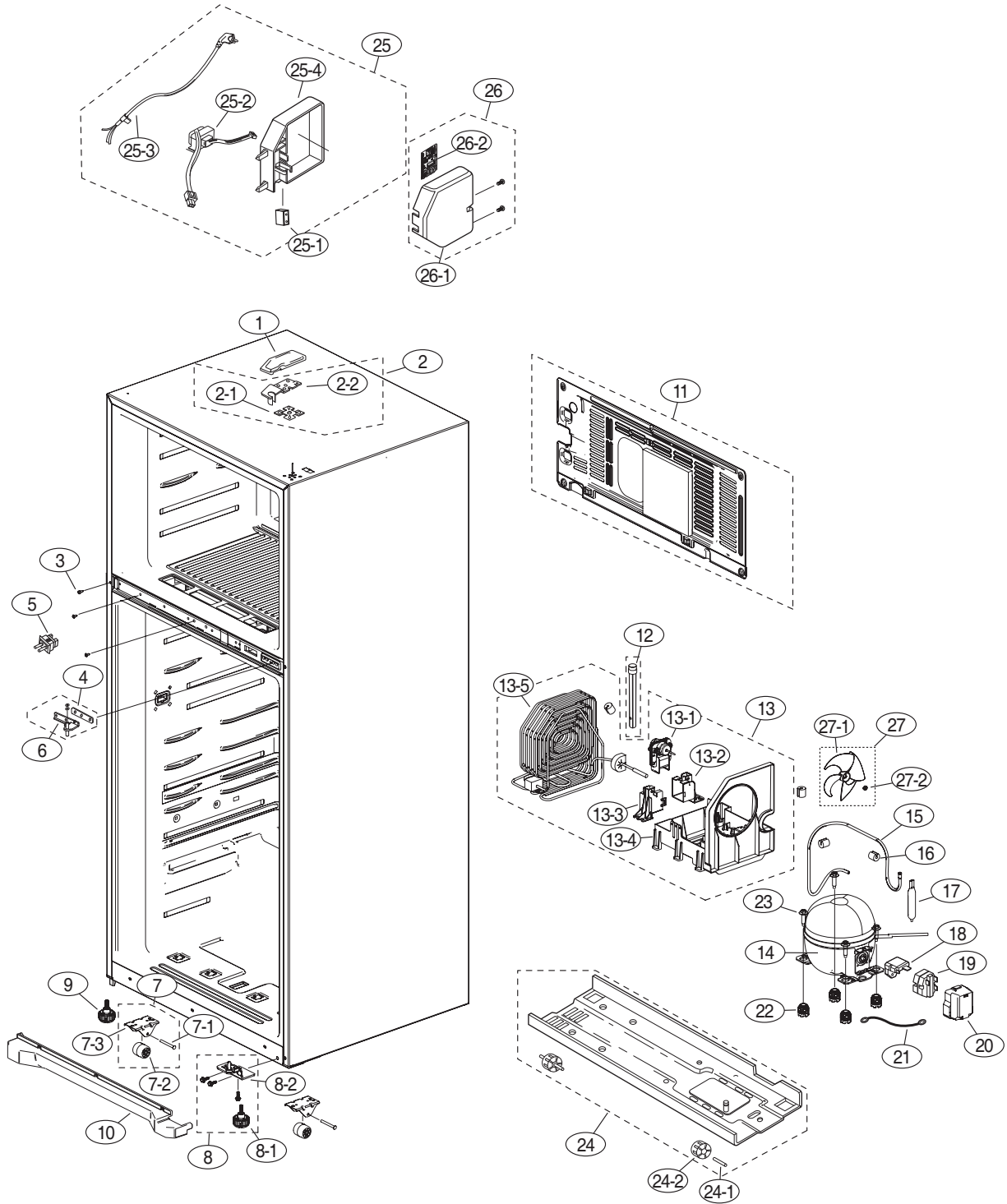
## 5. EXPLODED VIEW PART LIST

### • Parts List of Cabinet

NO	CODE-NO	PART NAME	SPECIFICATION	Q'TY	SA/SNA	REMARK
17	DA62-01514A	DRYER	REF-ALL,C1220T,OD18.70,L114,-,-	1	SA	
18	DA34-10003M	RELAY PROTECTOR O/L	4TM293SHBYY-53, SK170H,-,ST10.0, UT2.43,69,135	1	SA	
19	DA35-00099C	RELAY PTC	J535Q34E220M3502,22Ω,350V,9.0A	1	SA	
20	DA63-01866A	COVER RELAY	-,NORYL,T2.0,-,-,-,SSEC,BLACK,HOOK	1	SA	
21	DK39-00022G	WIRE HARNESS-EARTH	CUBIC,-,-,-,150,Y/G,18,-,-,-,-,-,-,-,-	1	SA	
22	DA63-02017A	GROMMET COMP	QUEEN,EPDM,-,-,-,-,-,BLACK,-	4	SA	
23	DA60-20008A	BOLT-HEX	-,S25C,M6,-,-,-,L42.6,WHITE,-,-,ZPC	4	SA	
24	DA97-01842C	ASSY CHASSIS-COMP	TD-PJT,SBHG1,T1.0,-,-,-,-	1	SA	
24-1	DA60-90124A	RIVET	-,MSWR10,OD6.0,-,-,L56,-,-,-	2	SA	
24-2	DA61-40126B	CASTER-REAR	REF-ALL,PP,-,PI 44,NTR,W22,-	2	SC	
24-3	DA64-01209C	CHASSIS COMP	TD-PJT,SBHG1,T1.0,-,-,-,-	1	SNA	
25	DA97-07291C	ASSY CASE-PCB PANEL	TD09,-,W217,L203,NTR,UCP-2,N-PP	1	SA	energy A
25-1	2301-001848	C-FILM,LEAD	5000nF,-5/10%,450V,Bulk,50x25x36	1	SA	
25-2	DA26-00021F	TRANS POWER	230V,MT,-,-,230V,9.0V/14.0V,0.13A/0.31A,-,50Hz,-,-,48,-,-,MT SEMI TRANS	1	SNA	
25-3	DA39-10102C	CBF-POWER CORD	BP-3,250V,5A,2000,BP-3,BLACK,KSC8305,HOUSING,3P,BP-3,-,2000	1	SA	
	DA39-10115E		ET-PJT,-,UCP-2,-,-,-,-,-,-,UCP-2,250V,10A,L=2300,GRAY,CE,-,			
25-4	DA61-00758A	CASE-PCB PANEL	W2-PJT,ABS,-,-,-,-,NTR,VH-0815	1	SA	
26	DA41-00599A	PBA MAIN	TD09-PJT,ASSY CYCLE,FR-1,197*123*1.6T,ENERGY A,SEMI,+12V,+5V,50,60HZ	1	SA	
27	DA63-01271A	COVER PCB-PANEL	W2-PJT,ABS,-,-,-,-,-,NTR,VH-0815	1	SA	
28	DA97-07300D	ASSY CASE-JUNCTION	TD09,-,-,-,NTR,BP-3,N-PP	1	-	Mechanical
28-1	2301-001848	C-FILM,LEAD	5000nF,-5/10%,450V,Bulk,50x25x36	1	SA	
28-2	DA39-10102C	CBF-POWER CORD	BP-3,250V,5A,2000,BP-3,BLACK,KSC8305,HOUSING,3P,BP-3,-,2000	1	SA	
28-3	DA41-00472K	PBA-MAIN ASSY	AMITA2,-,CEM-1,112.98mm x 48.26mm,-,220~240V,50/60Hz,N,-,-,-	1	-	
28-4	DA61-05014A	CASE JUNCTION	TD09-PJT,N-PP,-,-,-,NTR,-	1	SA	
29	DA31-00010B	FAN-ASSY	-,P,S-P/J,ASSY,-,UNIT,Ø120	1	SA	
29-1	DA31-20102C	FAN SIROCCO	-,P,S-P/J,ABS,-,UNIT,120,HR0370F	1	SA	
29-2	DA61-20128A	SPRING ETC-FAN	-,STS304,PI7.8,-,OD1.0,-,-,-,-,-,FD	1	SA	

## 5. EXPLODED VIEW PART LIST

### 5-4. Cabinet - LED Type





## 5. EXPLODED VIEW PART LIST

### • Parts List of Cabinet

NO	CODE-NO	PART NAME	SPECIFICATION	Q'TY	SA/SNA	REMARK
1	DA67-00967A	CAP HINGE UPP	S3-PJT,ABS,-,-,-,SC-97527R,-	1	SA	
	DA67-00967B		S3-PJT,ABS,-,-,-,SC-96510R,NOBLE BEIGE			
	DA67-00967C		S3-PJT,ABS,-,-,-,SC-95464R,METAL GRAY			
	DA67-00967H		S3-PJT,ABS,-,-,-,SC-01582R,CREAM WHITE			
	DA67-00967M		S3-PJT,ABS,-,-,-,SC-01649R,-THAI SILVER			
	DA67-00967T		S3-PJT,ABS,-,-,-,MARBLE BEIGE(DAC-VR0805R),HG-0760H			
2	DA61-10205A	HINGE UPP	M-PJT,SCP1,T3.2,-,-,-,DEEPIN	1	SNA	
3	DA67-30394D	CAP-SCREW	TSE-PJT,PP,-,-,-,SW,-	1	SA	
	DA67-30218R		-,PP,-,-,-,SC-97527R,SNOW WHIT			
	DA67-00322F		OMEGA,PP,-,-,-,SC-01625R,-			
	DA67-00322G		EXP,PP,-,-,-,SC-01649R,-			
	DA67-00322X		TD-PJT,PP,-,-,-,SC-07009R,CREAMY STS			
4	6031-001617	WASHER PLAIN	STS304,-,ID9.0,OD16,T0.5,-,	1	SA	
5	DA34-00006C	DOOR SWITCH	-,2 BUTTON,PE-PC-PBT,-,125/ 250VAC,-,1.5/ 0.7A,-,-,4 PIN,0-50%,ON-OFF,-,SC93437R,60, 120 mohm MAX,-,100MOHM,-	1	SC	
	DA34-00048A	SWITCH DOOR-WATER RESISTANT	-,2 BUTTON,Polyester-PC alloy,-,125/ 250VAC,-,1.5/ 0.7A,-,-,4 PIN,-,ON-OFF,-,-,60, 120 mohm MAX,-,100M OHM,-	1	SC	
6	DA97-12141A	ASSY HINGE MID	TD-PJT,T4.0,SHIM (HIPS,T0	1	SA	
7	DA97-02361A	ASSY-CASTER FRONT	TD-PJT,-,-,-	2	SNA	
7-1	DA60-90124A	RIVET	-,MSWR10,OD6.0,-,-,L56,-,-,-	1	SA	
7-2	DA61-00176A	CASTER-FRONT	-,PP,-,-,OD40,NTR,-,-	1	SNA	
7-3	DA71-10533A	REINF-CASTER	U-PJT,HGI,T1.6,-,-,-,-	1	SA	

## 5. EXPLODED VIEW PART LIST

### • Parts List of Cabinet

NO	CODE-NO	PART NAME	SPECIFICATION	Q'TY	SA/SNA	REMARK
8	DA97-07299A	ASSY HINGE LOW	TD09-PJT,T4.0,-,-,-,-,-	1	SA	
8-1	DA61-01051B	FOOT-FRONT	T3,OMEGA,W2,PP,-,SC-93437R,-,-,-	1	SA	
8-2	DA61-05027A	HINGE-LOW	TD09,SHP1,T4.0,-,-,-,-,-	1	SA	
9	DA61-01051B	FOOT-FRONT	T3,OMEGA,W2,PP,-,SC-93437R,-,-,-	1	SA	
10	DA63-02110A	COVER LEG FRONT	TD-PJT,PP,-,-,-,-,-,SNOW WHITE,BJ-730	1	SA	
	DA63-02110B		TD-PJT,ABS,-,-,-,-,-,SC-01649R,THAI SILVER			
	DA63-02110C		TD-50/47,PP,-,-,-,-,-,SC-01625T,CREAM-WHT			
	DA63-02110D		TD-50/47,ABS,-,-,-,-,-,SC-95464R,METAL GRAY			
	DA63-02110J		TD,ABS,-,-,-,-,-,SC-96510R,NOBLE BEIGE			
	DA63-02216A		TD54/50,PP,W62,L721,SC-9			
11	DA97-01864V	ASSY COVER COMP	TD63/59,DOMESTIC	1	SA	
	DA97-01864W		TD54/50,DOMESTIC			
12	DA97-04048A	ASSY TUBE DRAIN	TD-PJT,SOFT-PVC	1	SA	
13	DA97-05099P	ASSY TRAY-DRAIN WATER	TD09,220~240V, 50/	1	SA	Enegy A+/XSA
13-1	DA31-10110Y	MOTOR FAN-AC	IS-27213SCC7C,TD09/Kayra,-,	1	SA	Enegy A+/XSA
13-2	DA61-05132A	BRACKET-MOTOR L	TD09,PP,68.5,72.2,NTR	1	SA	Enegy A+/XSA
13-3	DA61-05133A	BRACKET-MOTOR R	TD09,PP,-,68.5,72.2,NTR,UL94, 5VA	1	SA	Enegy A+/XSA
13-4	DA63-03655B	TRAY DRAIN-WATER	TD-PJT,PP SCRAP,-,W210.	1	SA	Enegy A+/XSA
13-5	DA97-05098B	ASSY PIPE-SUB COND	TD-PJT,-	1	SA	Enegy A+/XSA
13-6	DA63-06715A	GROMMET-MOTOR	TD,NBR,BLACK	1	SA	Enegy A+/XSA
14	MK183QL2UB/TS	COMPRESSOR	RSCR,8.19CC,220-240V,FAN COOL	1		
	MK183QL2U/E17		8.19CC,220-240V~50HZ,RSCR			Enegy A+
15	DA63-40171B	GROMMET-SUCT PIPE A	-,NBR,OD20,ID4,L20,-,-,Brown,-	1	SA	

## 5. EXPLODED VIEW PART LIST

### • Parts List of Cabinet

NO	CODE-NO	PART NAME	SPECIFICATION	Q'TY	SA/SNA	REMARK
16	DA63-40171E	GROMMET-SUCT PIPE B	RAIL L19.5,NR,-,OD20,ID6,-,Brown,-	2	SA	
17	DA62-02614F	DRYER-SINGLE	TD09,C1220T,OD18.8,L120,T0.	1	SA	
18	DA34-10003V	RELAY PROTECTOR O/L	4TM293SHBY-53, SK170H,-,ST10.0, UT2.43,69,135	1	SA	Eney A+/XSA
19	DA35-00099A	RELAY PTC	330MD2(J535Q35E330M3852),330,3	1	SA	Eney A+/XSA
20	DA63-04553A	COVER RELAY	N300X,T2.1,V-0,5VA,SSEC,BLAC	1	SA	
21	DA39-20389L	WIRE HARNESS-EARTH	TMF/LMF,-,-,-,-,-,AWG	1	SA	
22	DA63-02017A	GROMMET COMP	QUEEN,EPDM,-,-,-,-,-,BLACK,-	4	SA	
23	DA60-20008A	BOLT-HEX	-,S25C,M6,-,-,L42.6,WHITE,-,ZPC	4	SA	
24	DA97-01842E	ASSY CHASSIS-COMP	TD-PJT,SBHG1,T1.0,ASSY	1	SA	
24-1	DA60-90124A	RIVET	-,MSWR10,OD6.0,-,-,L56,-,-,-	2	SA	
24-2	DA61-40126B	CASTER-REAR	REF-ALL,PP,-,PI 44,NTR,W22,-	2	SC	
24-3	DA64-01209C	CHASSIS COMP	TD-PJT,SBHG1,T1.0,-,-,-,-,-	1	SNA	
25	DA97-10670D	ASSY CASE-PCB PANEL	TD09,BP-3	1	SA	LED
25-1	2301-001848	C-FILM,LEAD	5000nF,-5/10%,450V,Bulk,50x25x36	1	SA	LED
25-2	DA41-00472M	PBA-MAIN ASSY	TD09,CEM-1,112.98mm x 48.2	1	-	LED
25-3	DA39-10115E	CBF-POWER CORD	ET-PJT,-,UCP-2,-,-,-,-,-,	1	SA	
25-4	DA61-06633A	CASE-PCB PANEL	TD09,ABS	1	SA	LED
26	DA97-10669A	ASSY COVER PCB PANEL	TD09-PJT	1	SA	LED
26-1	DA63-05906A	COVER-PCB PANEL	ABS,NTR	1	SA	LED
26-2	DA92-00062A	ASSY PCB-LED SMPS	LED LAMP-SMPS,LED LAMP,F/R DOOR	1	SA	LED
27	DA31-00010B	FAN-ASSY	-,P,S-P/J,ASSY,-,UNIT,Ø120	1	SA	
27-1	DA31-20102C	FAN SIROCCO	-,P,S-P/J,ABS,-,UNIT,120,HR0370F	1	SA	
27-2	DA61-20128A	SPRING ETC-FAN	-,STS304,PI7.8,-,OD1.0,-,-,-,-,-,FD	1	SA	