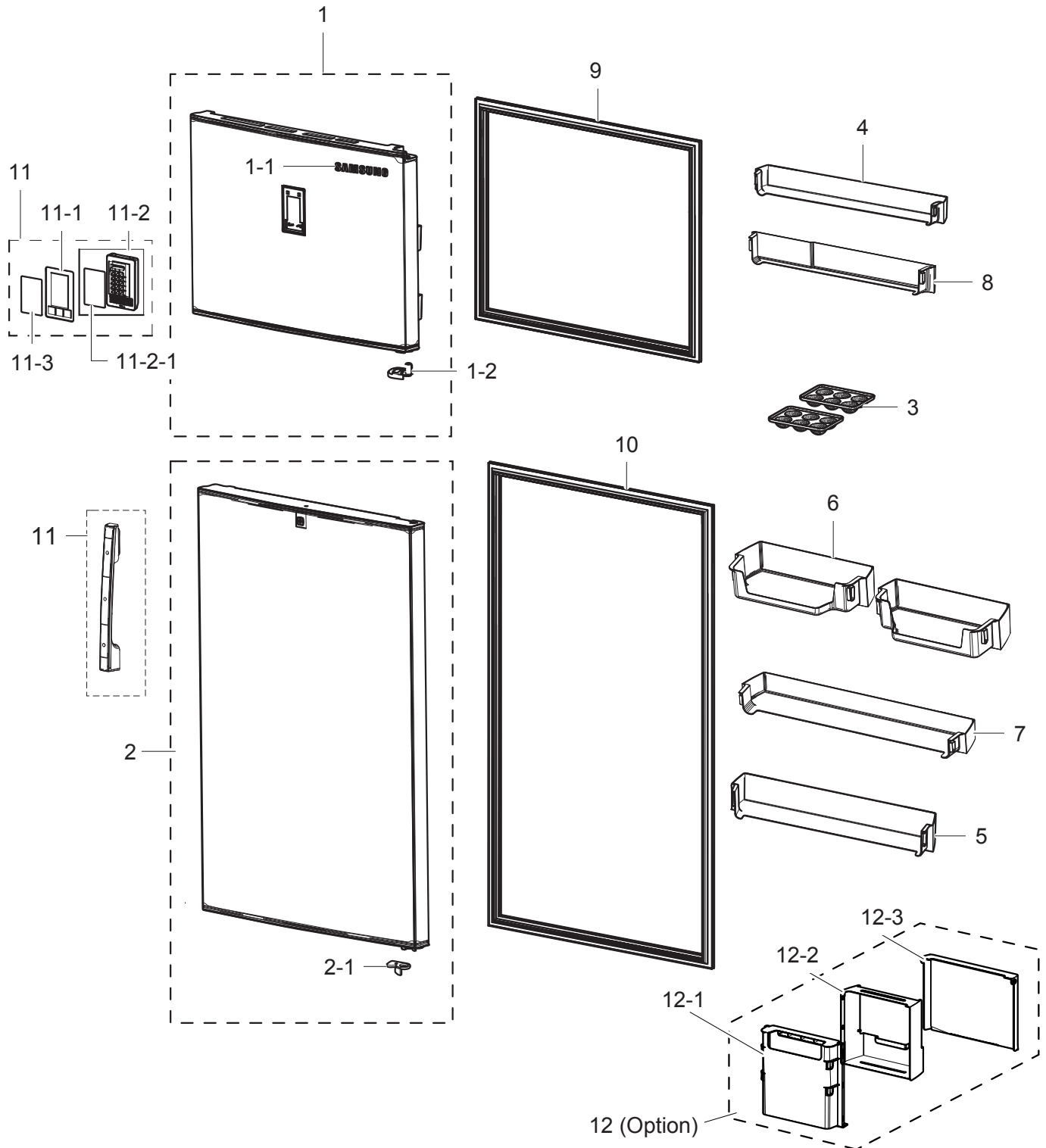


Door compartment



PART LIST OF DOOR : RT38K5400S9/EF

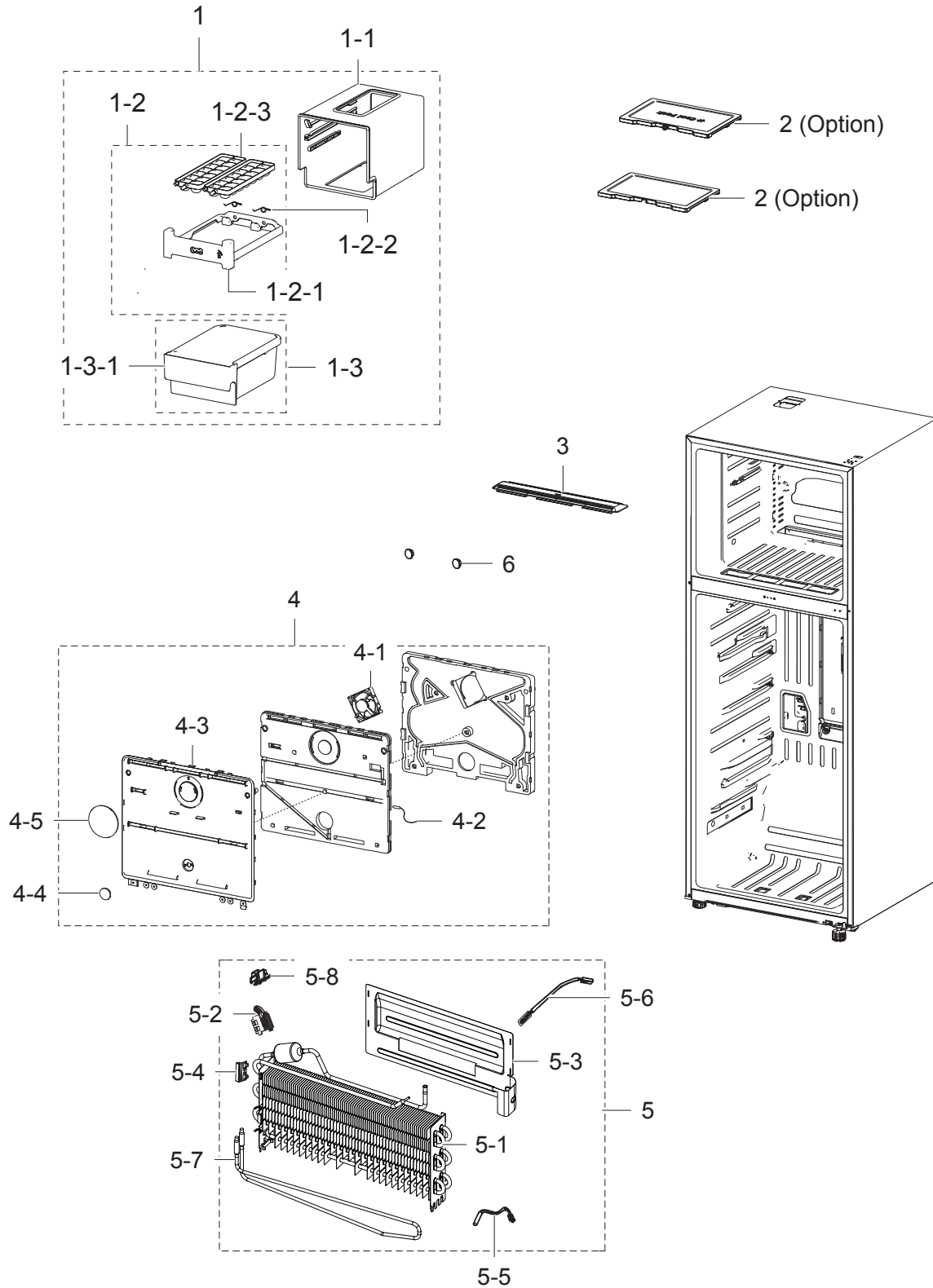
No.	Code No.	Lvl.	Loc.	Description	Specification	Qty	SA/SNA
1	DA91-04609T	2	M0063	ASSY DOOR FOAM-FRE	RT38,EXTERNAL,S9,LABE	1	SA
1-1	DA64-04020A	3	M0196	MASCOT	ALL,Ni,TO.06,L80	1	SA
1-2	DA66-01008B	4	-	LEVER-AUTO CLOSE FRE	3050PJ,POM,I BLACK	1	SA
2	DA91-04544F	2	Z1100	ASSY DOOR FOAM-REF	RT38,S9,N,NO W/D,BAR	1	SA
2-1	DA66-01009A	4	-	LEVER-AUTO CLOSE REF	3050PJ,POM,NATURAL	1	SA
3	DA63-07346A	2	A0656	TRAY EGG	3050,GPPS,-,HB,TP BLUE,165N,HI-	2	SA
4	DA63-07389A	2	A0711	GUARD-FRE	3050,GPPS,-,TP BLUE,380	2	SA
5	DA63-07387A	2	Z1010	GUARD-BOTTLE	3050,GPPS,T3.0,TP BLUE,380	1	SA
6	DA63-07388A	2	A0211	GUARD-VARIETY	3050,GPPS,T3.0,TP BLUE,380	2	SA
7	DA63-07417A	2	A0712	GUARD-EGG	3050,GPPS,T3.0,TP BLUE,380	1	SA
8	DA63-07389A	2	A0711	GUARD-FRE	3050,GPPS,-,TP BLUE,380	2	SA
9	DA97-13594K	2	A0557	ASSY-GASKET DOOR FRE	RT35/38,3050,GASKET	1	SA
10	DA97-13594L	2	A0535	ASSY-GASKET DOOR REF	RT38,3050,GASKET-SE	1	SA
12	DA97-16163G	2	A0626	ASSY COVER CONTROL	RT5000K,VACATION	1	SA
11-1	DA63-07296C	3	A1196	COVER-CONTROL	3050PJT,ABS,HB,I BLACK,HG-	1	SA
11-2	DA92-00464K	3	-	ASSY MODULE	MATRIX,RT6000K,WHITE LED, 11	1	SNA
11-2-1	DA64-04463E	4	-	INLAY-FILM	RT-H530G,PET,-,320C	1	SNA
11-3	DA64-04377Z	3	-	INLAY-CONTROL	RT5000K,PC,0.38,VACATION	1	SNA
12	DA97-16408H	2	-	ASSY COVER HANDLE	RT5000K,MATT DOI METAL	1	SNA



SAMSUNG ELECTRONICS

11569467

Freezing compartment



PART LIST OF FREEZER : RT38K5400S9/EF

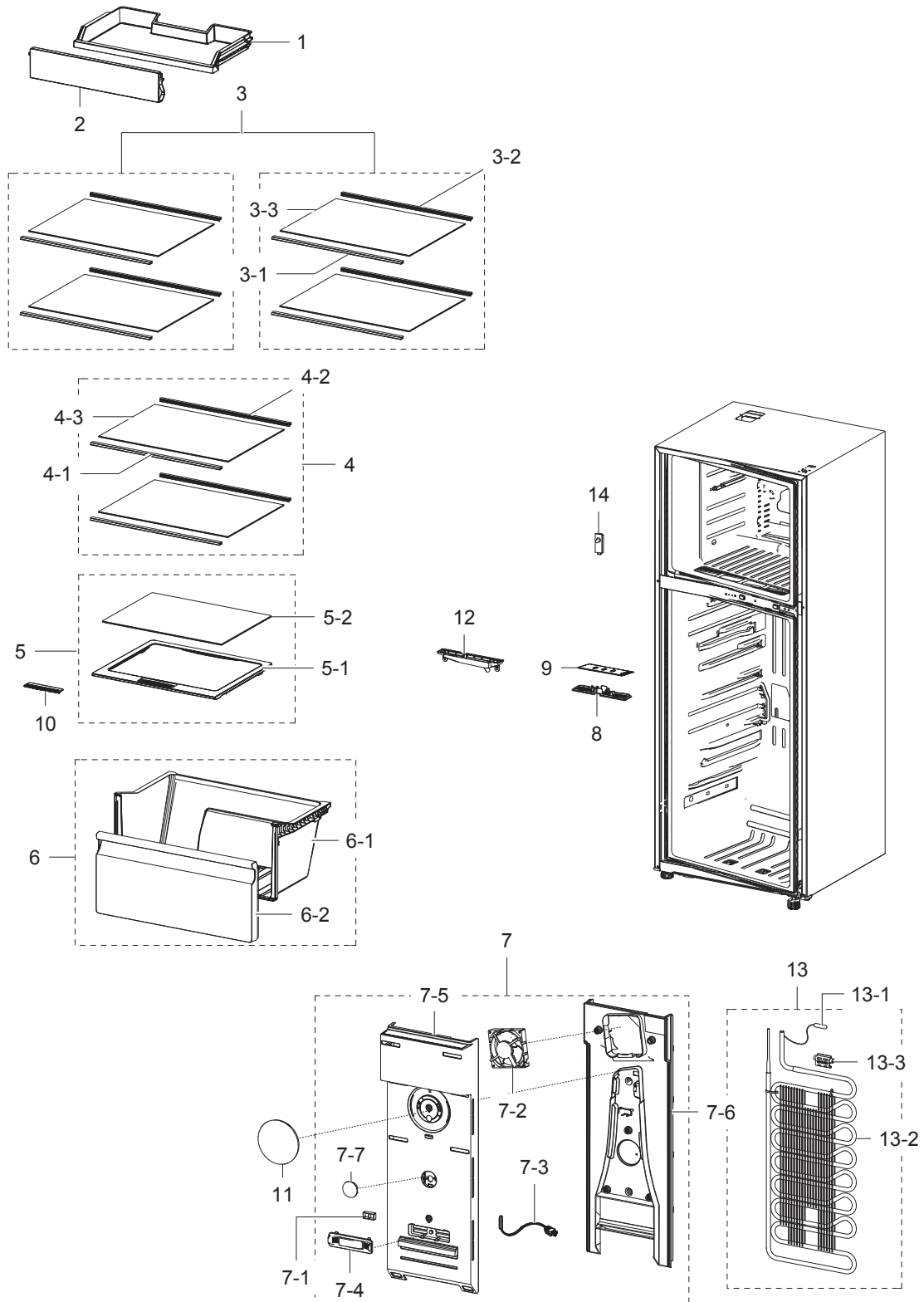
No.	Code No.	Lvl.	Loc.	Description	Specification	Qty	SA/SNA
1	DA90-09668F	1	A0104	ASSY ICE MAKER	RT38/35,220V,Tray,Plastic	1	SNA
1-2-3	DA63-01883B	2	A0582	TRAY-ICE	TS1-PJT,PP,-,-,-,-,NATURAL,-	1	SA
2	DA67-03654A	2	M0019	SHELF FRE	RT38/35,GPPS,TP BLUE	1	SA
3	DA63-07355A	2	A0756	COVER-AIR FRE	RT380/350,PP,COOL WHITE	1	SA
4	DA97-16247A	2	M0303	ASSY COVER EVAP-FRE	RT5000K 35/38,DISPLA	1	SA
4-1	DA31-00338A	3	-	MOTOR BLDC FAN	U92C12MS1B3-52K091,3350±7	1	SA
4-2	DA32-10105F	2	A1018	SENSOR TEMP	502AT,PX-41C,DKST1329GW,ACE,	1	SA
4-3	DA63-08320A	3	-	COVER EVAP-FRE	RT5000K 35/38,PP,HB,COOL	1	SNA
4-4	DA67-00738A	3	M0356	CAP-KNOB	MAX-PJT,PP,WHITE (SC-93437R),WE	1	SNA
4-5	DA99-04209A	3	-	ASSY ACCESSORY-TWIN COOLING	RT7000K	1	SA
5	DA96-01010C	2	A0163	ASSY EVAP-FRE	RT6000K,Fin Tube,220V	1	SA
5-1	DA59-00554A	3	A0742	EVAP FRE	FIN TUBE,AL,3050-PJT	1	SNA
5-2	DA61-00603A	3	T0066	FIXER SENSOR	n-PJT,PP,T2.0,NATURAL,HB,BJ	1	SA
5-3	DA61-09104C	3	-	PLATE EVAP-REAR	RT35,AI,TO.3,A3003-H12	1	SNA
5-4	DA61-07411A	3	A0744	FIXER-FUSE	NW2,PP,NATURAL,BJ750	1	SA
5-5	DA32-10105F	2	A1018	SENSOR TEMP	502AT,PX-41C,DKST1329GW,ACE,	1	SA
5-6	DA47-00301F	3	A1008	THERMO FUSE-ASSY	AC250V,10A,109~110℃,S.O	1	SA
5-7	DA47-00460F	3	A0921	HEATER METAL SHEATH	AC230V,3050 TMF, 330	1	SA
5-8	DA61-07410A	3	G0205	FIXER-HEATER FRE	NW2,PP,NATURAL,BJ750	2	SA
6	DA67-03718A	2	-	CAP SCREW	3050,PP,INOX GRAY	1	SA



SAMSUNG ELECTRONICS

11569467

Fridge compartment

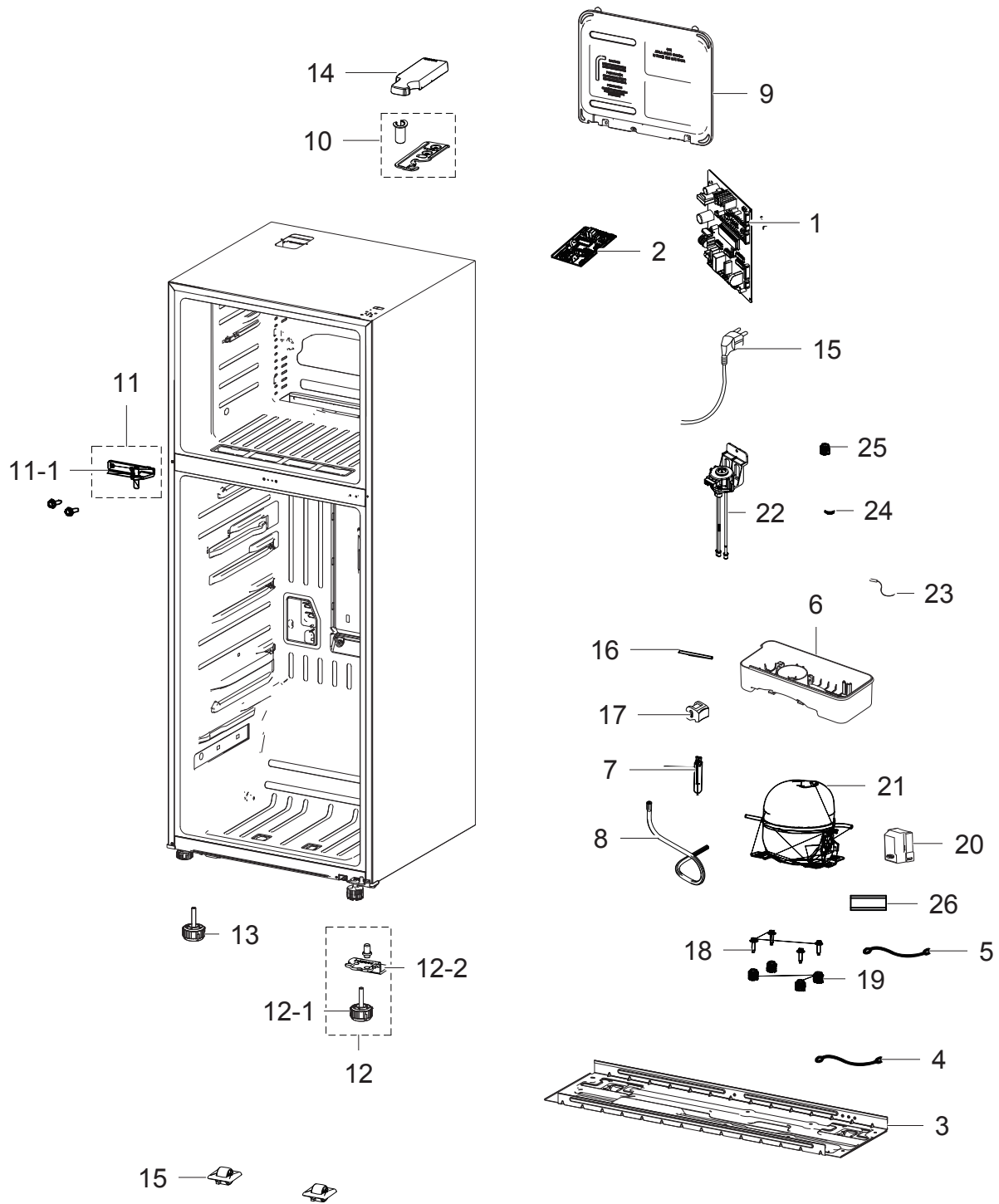


PART LIST OF FRIDGE : RT38K5400S9/EF

No.	Code No.	Lvl.	Loc.	Specification	Qty	SA/SNA
1	DA63-08330A	2	-	TRAY CHILLED ROOM	RT38,GPPS,T2.5,HB,TP B	1 SA
2	DA63-07374C	2	-	COVER TRAY-CHILLED	RT38/35,GPPS,T2.5,HB,	1 SA
3	DA97-16286A	2	-	ASSY SHELF GLASS-REF	RT5000_38/35	3 SA
3-1	DA64-04392B	3	-	TRIM SHELF-FRONT REF	RT38/35,HIPS,S834S1	3 SA
3-2	DA64-04395B	3	-	TRIM SHELF-REAR REF	RT38/35,HIPS,S834S1,	3 SA
3-3	DA64-04993A	3	-	GLASS-SHELF REF	RT5000_38/35,GLASS,T3.2,	3 SNA
4	DA97-16286A	2	-	ASSY SHELF GLASS-REF	RT5000_38/35	3 SA
4-1	DA64-04392B	3	-	TRIM SHELF-FRONT REF	RT38/35,HIPS,S834S1	3 SA
4-2	DA64-04395B	3	-	TRIM SHELF-REAR REF	RT38/35,HIPS,S834S1,	3 SA
4-3	DA64-04993A	3	-	GLASS-SHELF REF	RT5000_38/35,GLASS,T3.2,	3 SNA
5	DA97-13490D	2	A0181	ASSY COVER VEG	RT5000K,3050(RT380)	1 SA
5-1	DA63-07371A	3	A0210	COVER VEG	3050-RT380,HIPS,T2.5,HB,COOL W	1 SNA
5-2	DA67-03645H	3	-	GLASS-COVER VEG	GLASS,T4.0,RT380/350,TEM	1 SNA
6-1	DA61-08975A	3	M0268	CASE-VEG LOW	3050(RT380),PP,T2.5,COOL WH	1 SNA
6-2	DA63-07378A	3	-	COVER-VEG LOW FRONT	3050(RT380),GPPS,HB,	1 SNA
7	DA97-16248A	2	Z1177	ASSY COVER EVAP-REF	RT5000K 29/32/35/38,	1 SA
7-1	DA02-00216B	3	-	CATALYST-DEODORIZER	T10,W15,L30,activate	1 SA
7-2	DA31-00338A	3	-	MOTOR BLDC FAN	U92C12MS1B3-52K091,3350±7	1 SA
7-3	DA32-10105F	2	A1018	SENSOR TEMP	502AT,PX-41C,DKST1329GW,ACE,	1 SA
7-4	DA63-07423A	3	-	COVER-DEODORIZER	3050,PP,-,COOL WHITE,BJ	1 SNA
7-5	DA63-08322A	3	-	COVER EVAP-REF A	RT5000K 29/32/35/38,PP,	1 SNA
7-6	DA63-08323A	3	-	COVER EVAP-REF B	RT5000K 29/32/35/38,PP,	1 SNA
7-7	DA67-00738A	3	M0356	CAP-KNOB	MAX-PJT,PP,WHITE (SC-93437R),WE	1 SNA
8	DA63-07368A	2	A0490	COVER-LAMP	3050,GPPS,T2.0,TP BLUE,G116HV	1 SA
9	DA41-00519R	2	G0090	ASSY LAMP LED	3ea,CEM-1,65*10,WHITE,SMAW	1 SA
10	DA63-07341B	3	-	COVER SHEET	3050-PJT,HIPS,COOL WHITE,S83	1 SA
11	DA99-04209A	3	-	ASSY ACCESSORY-TWIN COOLING	RT7000K	1 SA
12	DA61-10876A	2	-	PLATE DRAIN-REF	RT7000K,HIPS,T1.5,NATURA	1 SA
13	DA96-01156A	2	A0184	ASSY EVAP-REF	RT5000K,STEEL WIRE	1 SA
13-1	DA32-10105F	2	A1018	SENSOR TEMP	502AT,PX-41C,DKST1329GW,ACE,	1 SA
13-2	DA59-00580A	3	-	EVAPORATOR-REF	Fin Tube,RT5000K	1 SNA
13-3	DA61-07408A	3	-	FIXER-SENSOR	NW2,PP,NATURAL,M1600	1 SNA
14	DA34-10121C	2	M0379	SWITCH DOOR	AC125V/250V,1.5/0.75,1BUTTON	1 SA

11569467

Cabinet compartment



PART LIST OF CABINET : RT38K5400S9/EF

No.	Code No.	Lvl.	Loc.	Description	Specification	Qty	SA/SNA
1	DA92-00756J	1	A0952	ASSY PCB MAIN	TWIN COOLING,RT5000K,160*1	1	SA
2	DA92-00459E	1	-	ASSY PCB INVERTER	INVERTER,3050,148*98.5	1	SA
3	DA97-13451A	2	A0526	ASSY CHASSIS COMP	3050-PJT,T0.8,RT38	1	SA
4	DA39-20389A	2	A0562	ASSY WIRE HARNESS-EARTH	ALL,FREE VOLT,UL	2	SA
5	DA39-20389A	2	A0562	ASSY WIRE HARNESS-EARTH	ALL,FREE VOLT,UL	2	SA
6	DA97-16550A	2	A0529	ASSY TRAY DRAIN WATER	RT6000K	1	SA
7	DA62-04309A	2	A0669	DRYER	C1220T-H,137,SINGLE MOUTH,15.8,9g	1	SA
8	DA62-04154A	2	M0016	PIPE CONNECT-SUCTION	3050-PJT,Cu,OD6.35,	1	SA
9	DA97-13545F	2	-	ASSY COVER PCB-PANEL	RT29/32/35/38,TWIN	1	SNA
10	DA97-13610A	2	A0705	ASSY HINGE UPP	3050PJ,T2.0,380/350	1	SA
11	DA97-13611A	2	A0513	ASSY HINGE MID	3050PJ,T3.2,380/350	1	SA
11-1	DA61-08984A	3	A0831	HINGE-MID	3050PJ,PO-SPHC,T3.2,350/380	1	SNA
12	DA97-14264B	2	M0344	ASSY HINGE-LOW	3050PJ,RT35/38	1	SA
12-1	DA61-00805E	3	A0577	FOOT-FRONT	ARAM-PJT,PP,BLACK	1	SA
12-2	DA61-08982A	3	A0247	HINGE-LOW	3050PJ,PO-SPHC,T4.0,350/380	1	SNA
13	DA61-00805E	3	A0577	FOOT-FRONT	ARAM-PJT,PP,BLACK	1	SA
14	DA63-07382A	2	M0360	COVER-HINGE UPP	3050PJ,PP,HB,BJ750,INOX	1	SA
15	3903-001011	2	A0273	CBF-POWER CORD	AT,EU,EU3F,3C,250V,16A,BI	1	SA
16	DA73-00199B	2	Z1004	PIPE-PIPE CONNECT	-,C1220T,-,OD6.35,L95,	1	SA
17	DA97-16549A	3	-	ASSY PIPE IMMERSING	RT6000K,-	1	SA
18	6011-001546	2	A0564	BOLT-HEX	M5(PO.8),L16,ZPC(WHT),SWRCH18A,	4	SA
19	DA63-02617A	3	Z1112	GROMMET COMP	USP05,EPDM,OD27.0,BLACK	4	SA
20	DA63-06122A	3	Z1032	COVER RELAY	MSV,MPP0,T2.0,5V-A,BLACK,M-H	1	SA
21	MSV488AL1R/TT3	2	-	CMP,REFRIGERATOR,R-600A	0	1	-
22	DA62-04678A	2	-	VALVE STEP	DC12V,MODULE,2WAY,STRAIGHT/ST	1	SA
23	DA32-10105F	2	A1018	SENSOR TEMP	502AT,PX-41C,DKST1329GW,ACE,	1	SA
24	DA63-08036A	3	-	GROMMET-LOW	3050-1,2,NBR,BLACK	2	SA
25	DA63-02325A	3	-	GROMMET-STEP-VALVE-UP	HNR2213/15/17/20,N	1	SA
32	DA62-00960A	2	-	SEAL CUTT-RUBBER	RUBBER,BLACK,T3,W40,L70	2	SA

SAMSUNG ELECTRONICS

11569467