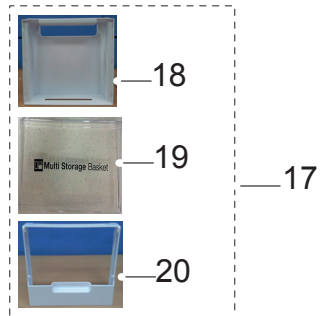
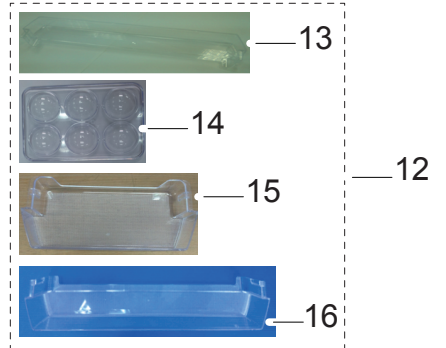
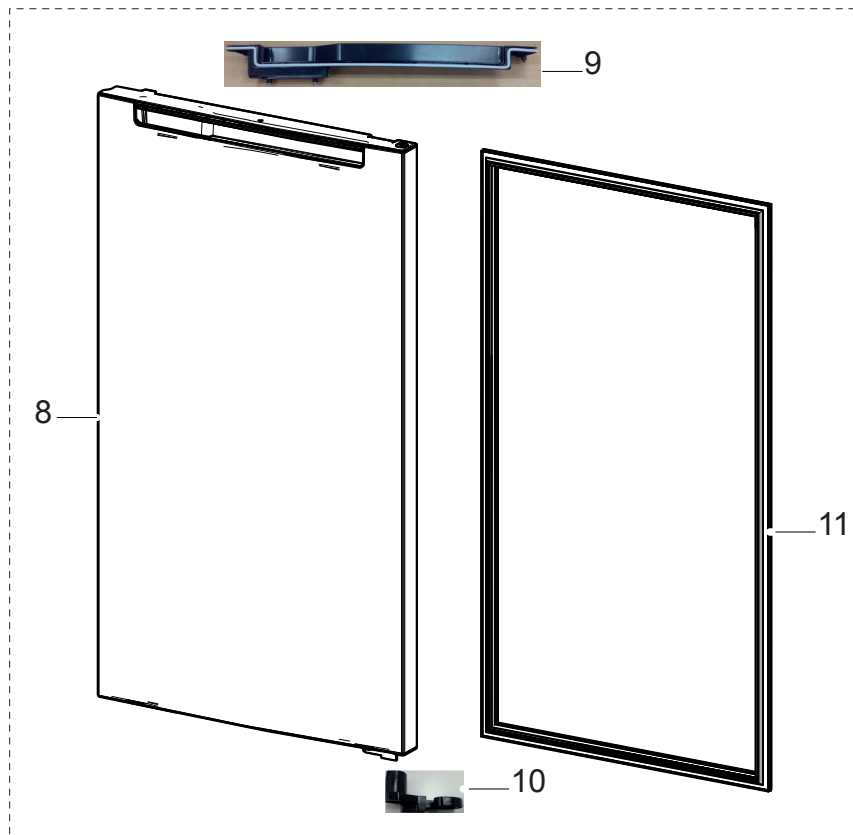
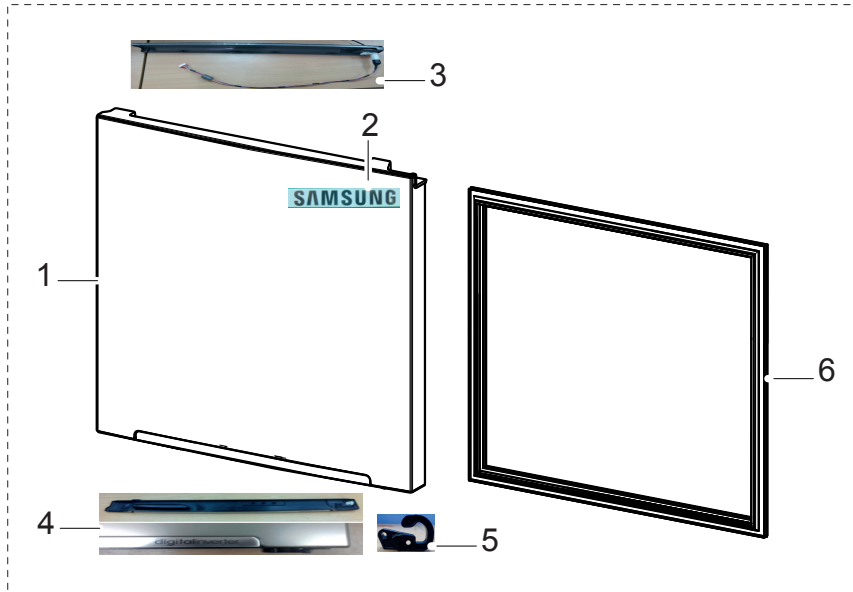


Door compartment



PART LIST OF DOOR : RT29FARADSA/EF

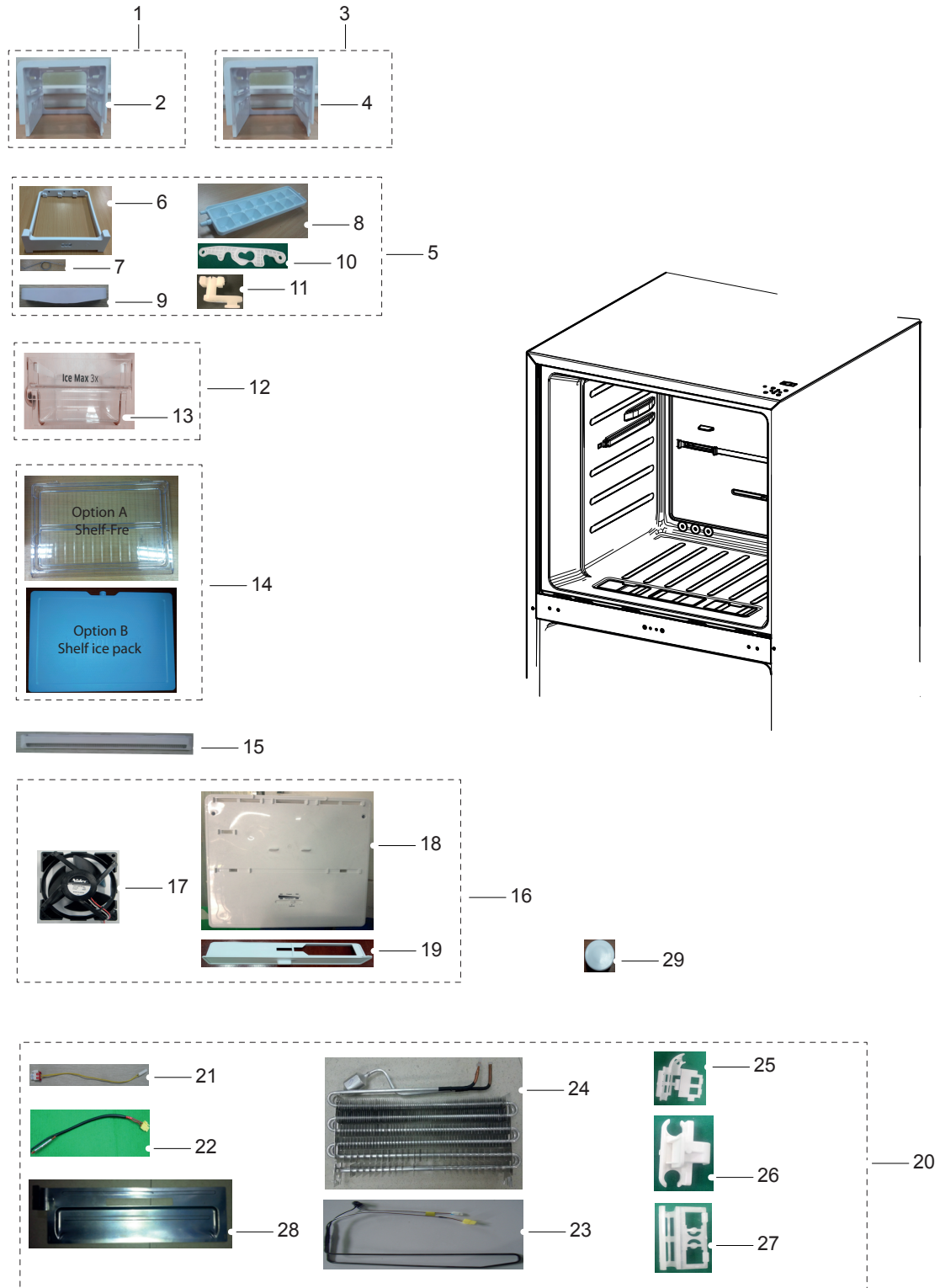
No.	Code No.	Lvl.	Loc.	Description	Specification	Qty	SA/SNA
1	DA91-03959Q	2	A0051	ASSY DOOR FOAM FRE	290,MG,RECESS	1	SA
2	DA64-04020A	3	M0196	MASCOT	ALL,NI,-,T0.06,L80	1	SA
3	DA97-13589D	3	-	ASSY CAP DOOR FRE-UPP	3050 PJT,INOX GRAY	1	SNA
4	DA97-15488A	3	A0047	ASSY CAP DOOR-FRE LOW	3050 PJT,320/290,	1	SNA
5	DA66-01008B	4	-	LEVER-AUTO CLOSE FRE	3050PJ,POM,I-BLACK	1	SA
6	DA97-13594N	2	A0557	ASSY-GASKET DOOR FRE	RT29/32,3050,GASKET	1	SA
7	DA63-07342A	2	A0711	GUARD-FRE	3050,GPPS,-,TP BLUE	2	SA
8	DA91-03958Q	2	A0052	ASSY DOOR FOAM REF	3050 DOOR REF,290,MG,	1	SA
9	DA97-15346A	3	-	ASSY CAP DOOR-REF UP	RT32/29,I BLACK,REC	1	SNA
10	DA66-01009A	4	-	LEVER-AUTO CLOSE REF	3050PJ,POM,NATURAL	1	SA
11	DA97-13594Q	2	A0535	ASSY-GASKET DOOR REF	RT29,3050,GASKET-SE	1	SA
12	DA90-07948E	1	A0166	ASSY GUARD	320,290 (TSE),6th- A,D,G,8th-	1	SNA
14	DA63-07346A	2	A0656	TRAY EGG	3050,GPPS,-,HB,TP BLUE,165N,HI-	2	SA
15	DA63-07344A	2	A0153	GUARD VARIETY	3050,GPPS,T2.5,TP BLUE	2	SA
16	DA63-07345A	2	A0151	GUARD BOTTLE	3050,GPPS,T2.5,TP BLUE	1	SA



SAMSUNG ELECTRONICS

11569467

Freezing compartment



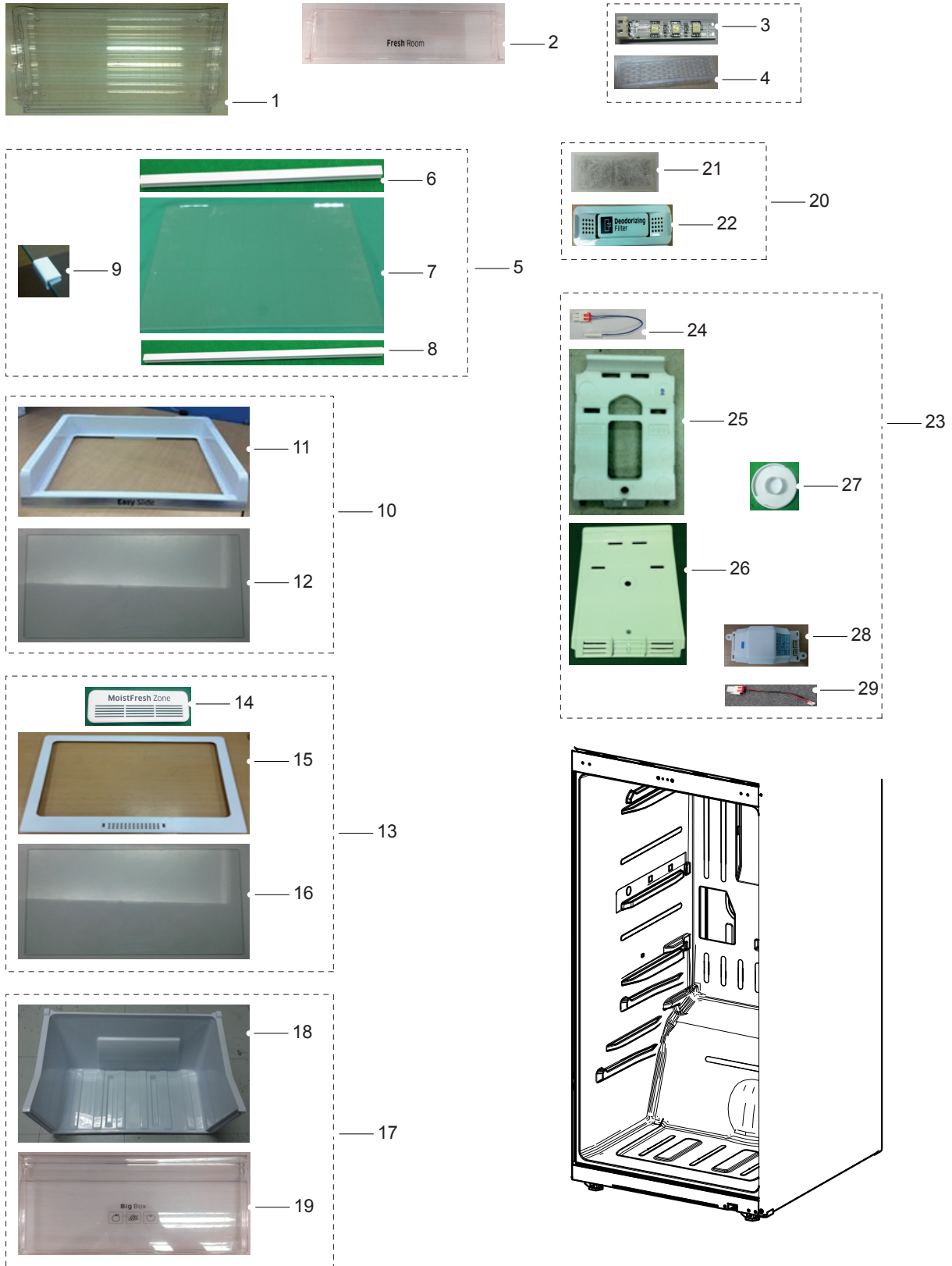
PART LIST OF FREEZER : RT29FARADSA/EF

No.	Code No.	Lvl.	Loc.	Description	Specification	Qty	SA/SNA
1	DA90-07939A	2	-	ASSY ICE MAKER-L	RT32/29/25/22,MANUAL 2	1	SA
2	DA61-08914A	3	-	SUPPORT-TRAY ICE L	RT32/29/25/22,2TWIST,	1	SA
5	DA97-13501A	3	A0107	ASSY TRAY-ICE	RT32/29/25/22,COOL,2 TWIST	1	SA
6	DA61-08907A	4	A0718	CASE-TRAY ICE	RT38/35/32/29,2TWIST,PP,CO	1	SA
7	DA61-20136A	4	-	SPRING ETC-ICE MAKER	SR-53EA,STS304,COIL	2	SA
8	DA63-07337A	4	A0120	TRAY ICE	3050,TMF,PP,T1.0,-,COOL WHITE,1	2	SA
9	DA64-04461A	4	A0118	KNOB-TRAY ICE	3050 TMF,ABS,2.0,COOL WHTI	1	SA
10	DA66-01006A	4	M0434	LEVER-TRAY ICE	RT320,POM,NTR	1	SA
11	DA66-01003A	4	-	LEVER-TRAY ICE KNOB	3050,TMF,PA66,NTR	1	SA
12	DA97-13671A	3	-	ASSY TRAY-ICE CUBE	RT32/29/25/22,TP BLUE	1	SC
13	DA63-07331A	4	-	TRAY ICE-CUBE	RT38/35/32/29,2-TWIST,GPPS	1	SA
14	DA67-03602A	2	-	SHELF-FRE HALF	RT32/29,GPPS,TP BLUE	1	SA
15	DA63-07332A	2	A0756	COVER-AIR FRE	RT32/29/25/22,PP,T1.5,COOL	1	SA
16	DA97-13525A	2	M0416	ASSY COVER-EVAP FRE	3050PJT,RT32/29/25/2	1	SA
17	DA31-00287A	3	-	MOTOR BLDC FAN	3350±7%,12V,0.16A,1.92W,-	1	SC
18	DA63-07365A	3	-	COVER EVAP-FRE	3050,PP,1.5,HB,COOL WHITE	1	SNA
19	DA64-04411A	3	A0508	KNOB-TEMP CONTROL	3050,PP,1.5,COOL WHITE	1	SA
20	DA96-01007C	2	A0163	ASSY EVAP-FRE	3050,RT32,RT29	1	SA
21	DA32-10105F	2	A1018	SENSOR TEMP	502AT,PX-41C,DKST1329GW,ACE,	1	SA
22	DA47-00301D	3	A1008	THERMO FUSE-ASSY	AC250V,10A,109~110℃,S.O	1	SA
23	DA47-00460D	3	A0921	HEATER METAL SHEATH	AC230V,3050 TMF, 406	1	SA
24	DA59-00553A	3	A0742	EVAP FRE	FIN TUBE,AL,3050-PJT	1	SNA
25	DA61-00603A	3	T0066	FIXER SENSOR	n-PJT,PP,T2.0,NATURAL,HB,BJ	1	SA
26	DA61-07410A	3	G0205	FIXER-HEATER FRE	NW2,PP,WHITE,V0	2	SA
27	DA61-07411A	3	A0744	FIXER-FUSE	NW2,PP,BLACK,RM60	1	SA
28	DA61-09103B	3	-	PLATE EVAP-REAR	3050PJT,GI-SGCC,-,T0.3	1	SNA
29	DA67-03718A	2	-	CAP SCREW	3050,PP,INOX GRAY	1	SA

SAMSUNG ELECTRONICS

11569467

Fridge compartment



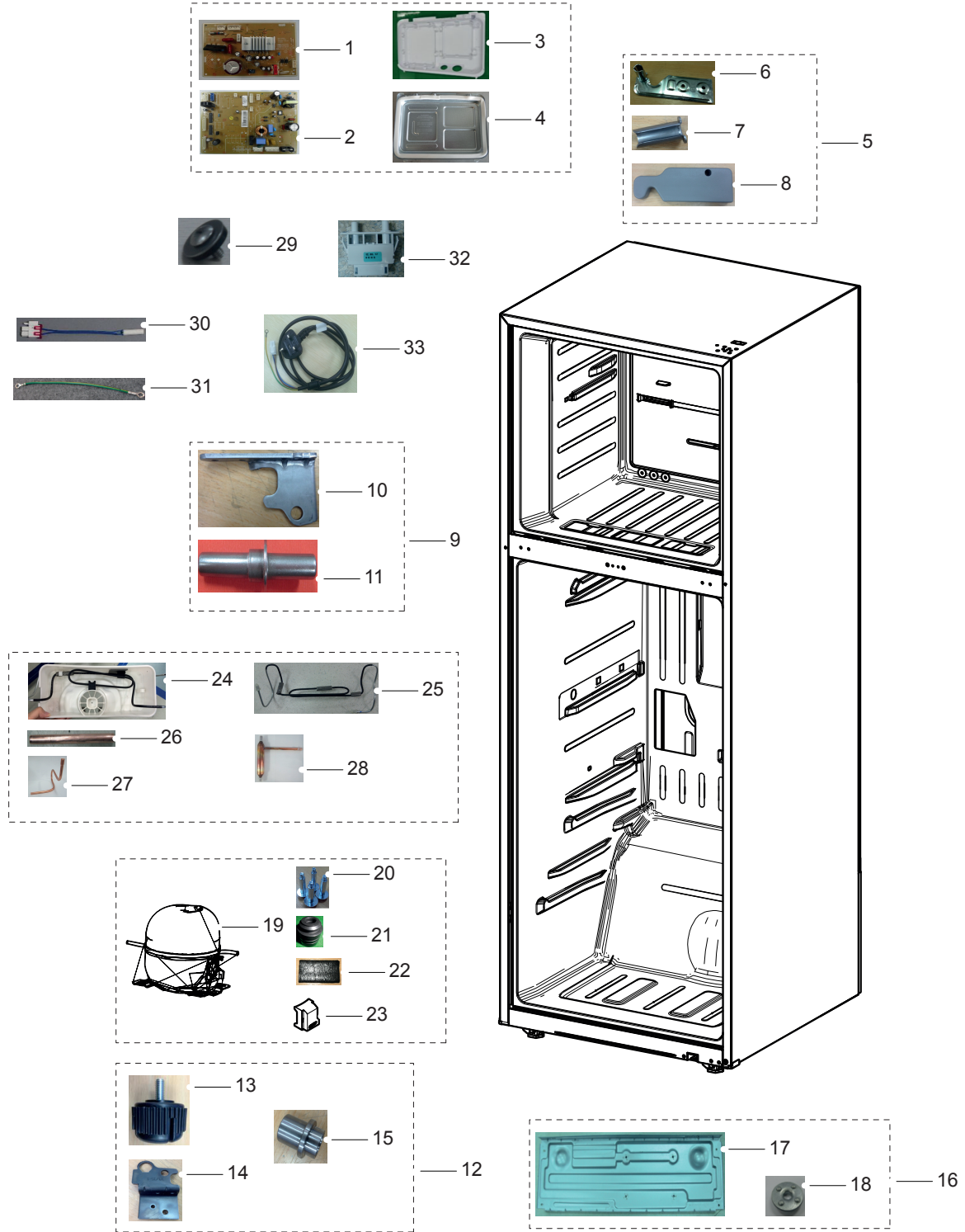
PART LIST OF FRIDGE : RT29FARADSA/EF

No.	Code No.	Lvl.	Loc.	Description	Specification	Qty	SA/SNA
1	DA63-07336A	2	M0061	TRAY-CHILLED ROOM	3050,GPPS,HB,TP BLUE	1	SA
2	DA63-07360A	2	-	COVER-CHILLED ROOM	3050,GPPS,HB,TP BLUE,	1	SA
3	DA41-00519R	2	G0090	ASSY LAMP LED	3ea,CEM-1,65*10,WHITE,SMAW	1	SA
4	DA63-07368A	2	A0490	COVER-LAMP	3050,GPPS,T2.0,TRANSFANRENCY	1	SA
5	DA97-13502A	2	-	ASSY SHELF GLASS-REF	RT32/29,COOL WHITE	1	SA
6	DA64-04392A	3	-	TRIM SHELF-FRONT	RT320,HIPS,S834S1,COOL	1	SNA
7	DA67-03645A	3	-	GLASS-SHELF REF	RT320/290,TEMPERED GLASS	1	SNA
8	DA64-04395A	3	-	TRIM SHELF-REAR	RT320,HIPS,S834S1,COOL W	1	SNA
9	DA64-04718A	3	-	TRIM SHELF-SIDE	3050,HIPS,White,-	2	SNA
10	DA97-13459A	2	-	ASSY SHELF-SLIDE OUT	3050(RT320)	1	SA
11	DA67-03586A	3	-	SHELF-SLIDE OUT	3050,HIPS,T2.5,COOL WHIT	1	SNA
12	DA67-03645D	3	-	GLASS-SHELF SLIDE	RT320/290,TEMPERED GLA	1	SNA
13	DA97-13460A	2	M0004	ASSY COVER-VEG	3050(RT320)	1	SA
14	DA63-07341A	2	-	COVER-SHEET	3050,HIPS,T2.0,HB,COOL WHITE	1	SA
15	DA63-07361A	3	A0210	COVER VEG	3050,HIPS,T2.5,-,COOL WHITE	1	SNA
16	DA67-03645G	3	-	GLASS-COVER VEG	RT320/290,GLASS,TEMPERED	1	SNA
17	DA97-13457A	2	M0236	ASSY CASE-VEG LOW	3050(RT320),T2.5,COOL	1	SA
18	DA61-08918A	3	M0268	CASE-VEG LOW	3050,PP,T2.5,COOL WHITE	1	SNA
19	DA63-07340A	3	-	COVER-VEG LOW FRONT	3050(RT320),GPPS,T0.	1	SNA
20	DA97-13606A	2	-	ASSY COVER-DEODORIZER	3050PJT	1	SA
21	DA02-00216B	3	-	CATALYST-DEODORIZER	T10,W15,L30,activate	1	SA
22	DA63-07423A	3	-	COVER-DEODORIZER	3050,PP,-,COOL WHITE,BJ	1	SNA
23	DA97-13528A	2	M0059	ASSY COVER-MULTI REF	3050PJT,BASIC	1	SA
24	DA32-10105F	2	A1018	SENSOR TEMP	502AT,PX-41C,DKST1329GW,ACE,	1	SA
25	DA62-04047A	3	A0695	INSULATION-MULTI REF	3050,PS FOAM,WHITE,	1	SNA
26	DA63-07366A	3	A0689	COVER-MULTI REF	3050,PP,1.5,-,COOL WHITE	1	SNA
27	DA64-04412A	3	A0760	KNOB-DIAL	3050,HIPS,2.0,COOL WHITE,TMF	1	SA
28	DA41-00471B	3	A0746	PBA-MAIN ASSY	SUB PBA,MAX3,ROTARY S/W	1	SA
29	DA96-00391H	3	A0761	ASSY WIRE HARNESS-ROTARY	ALL,12VDC,IEC,	1	SA

SAMSUNG ELECTRONICS

11569467

Cabinet compartment



PART LIST OF CABINET : RT29FARADSA/EF

No.	Code No.	Lvl.	Loc.	Description	Specification	Qty	SA/SNA
1	DA92-00461F	1	A0952	ASSY PCB MAIN	PBA MAIN,3050 TMF,123*197,	1	SA
2	DA92-00459E	1	-	ASSY PCB INVERTER	INVERTER,3050,148*98.5	1	SNA
3	DA61-08917A	3	-	CASE-PCB PANEL	320,PP,BLACK,COPO,3050	1	SNA
4	DA97-13545C	2	-	ASSY COVER PCB-PANEL	320, 350, 380,3050	1	SA
5	DA97-13613A	2	A0705	ASSY HINGE UPP	3050PJ,T2.0,320/290/250/2	1	SA
6	DA61-08925A	3	A0240	HINGE-UPP	3050PJ,PO-SPHC,T2.0	1	SNA
7	DA66-00349A	3	A0518	SHAFT-HINGE	USP-PJT,SPC	1	SNA
8	DA63-07349A	2	M0360	COVER-HINGE UPP	3050PJ,PP,T1.5,HB,INOX G	1	SA
9	DA97-13614A	2	A0513	ASSY HINGE MID	3050PJ,T3.2,320/290/250/2	1	SA
10	DA61-08926A	3	A0831	HINGE-MID	3050PJ,PO-SPHC,T3.2	1	SNA
11	DA66-01005A	3	-	SHAFT-HINGE MID	3050PJ,SWCH10A	1	SNA
12	DA97-14264A	2	M0344	ASSY HINGE-LOW	3050PJ,320/290/250/220	1	SA
13	DA61-00805E	3	A0577	FOOT-FRONT	ARAM-PJT,PP,BLACK	1	SA
14	DA61-08927A	3	A0247	HINGE-LOW	3050PJ,PO-SPHC,T4.0	1	SNA
15	DA66-01004A	3	-	SHAFT-HINGE LOW	3050PJ,SWCH10A	1	SNA
16	DA97-13450A	2	A0526	ASSY CHASSIS COMP	3050-PJT,T0.8,RT32	1	SA
17	DA64-04406A	3	A0739	CHASSIS COMP	RT320,GI-SGCC,T0.8,-	1	SNA
18	DA71-50240B	3	A0612	BRACKET-CABI	TSE MODEL,GI-SGCC,T1.6	4	SNA
19	MSV488AL1R/TT3	2	-	CMP,REFRIGERATOR,R-600A	0	1	-
20	DA60-20008A	3	A0564	BOLT-HEX	M6,L42.6(28.1),ZPC(SILVER), D9.	4	SC
21	DA63-02617A	3	Z1112	GROMMET COMP	USP05,EPDM,OD27.0,BLACK	4	SA
22	DA62-00960A	2	-	SEAL CUTT-RUBBER	RUBBER,BLACK,T3,W40,L70	1	SA
23	DA63-06122A	3	Z1032	COVER RELAY	MSV,MPPPO,T2.0,5V-A,BLACK,M-H	1	SA
24	DA97-12658D	2	A0529	ASSY TRAY DRAIN WATER	3050_TMF,ADD PIPE	1	SA
25	DA97-13647B	3	-	ASSY PIPE IMMERSING	3050_TMF,Add seal,RT	1	SA
26	DA73-00199B	2	Z1004	PIPE-PIPE CONNECT	-,C1220T,-,OD6.35,L95,	1	SA
27	DA62-04154A	2	M0016	PIPE CONNECT-SUCTION	3050-PJT,CU,-,C1220	1	SA
28	DA62-04309C	2	A0669	DRYER	Cu,118,SINGLE MOUTH,6g	1	SA
29	DA60-00018A	2	-	SCREW MACHINE	TH,+ ,PASS,STS304	1	SA
30	DA32-10105F	2	A1018	SENSOR TEMP	502AT,PX-41C,DKST1329GW,ACE,	1	SA
31	DA39-00429D	2	A0562	ASSY WIRE HARNESS-EARTH	ALL,FREE VOLT,UL	1	SA
32	DA34-10121C	2	M0379	SWITCH DOOR	AC125V/250V,1.5/0.75,1BUTTON	1	SA
33	3903-000793	2	A0273	CBF-POWER CORD	AT,E.U,EU3F,3C,250V,16A,B	1	SA

11569467