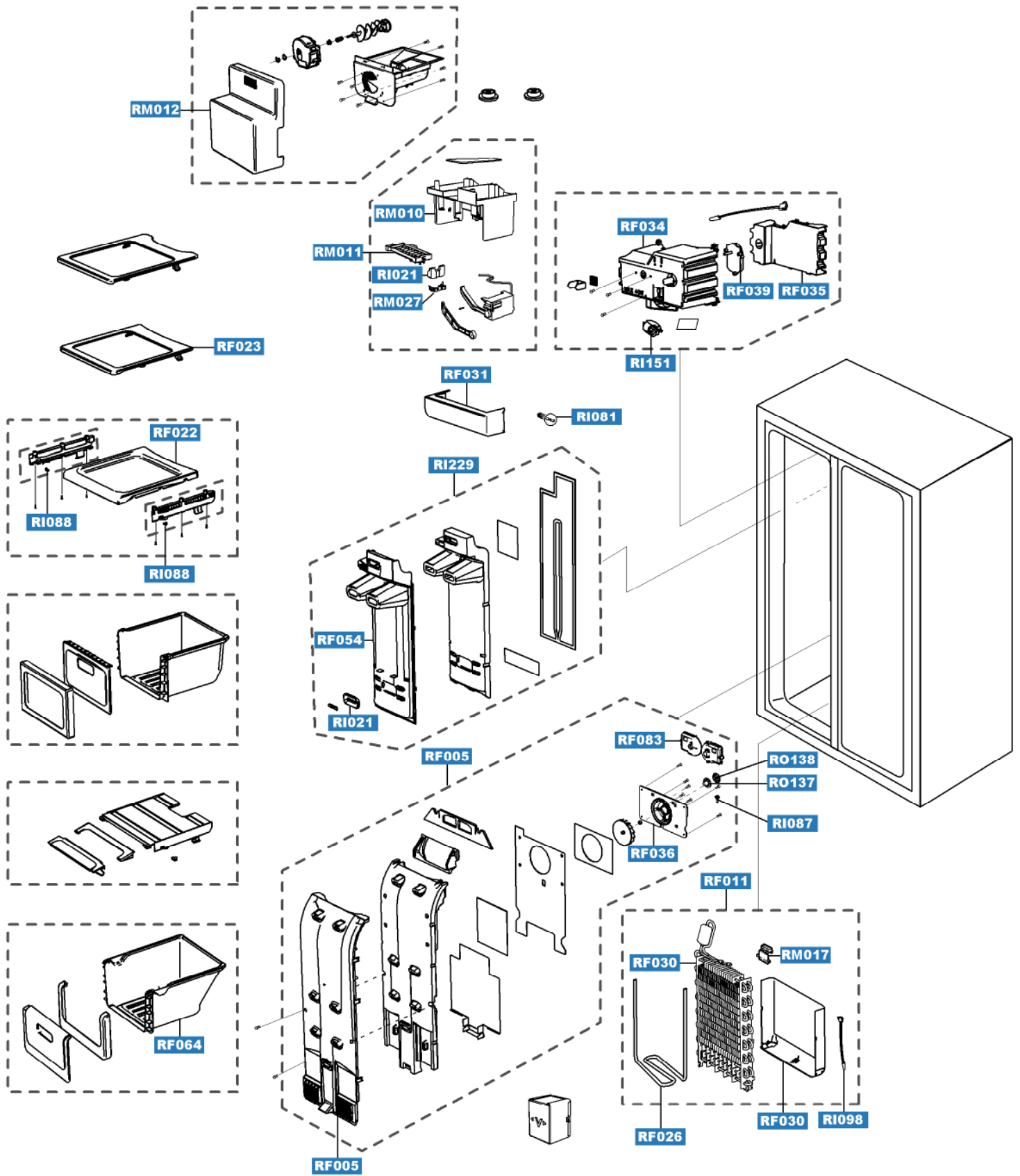
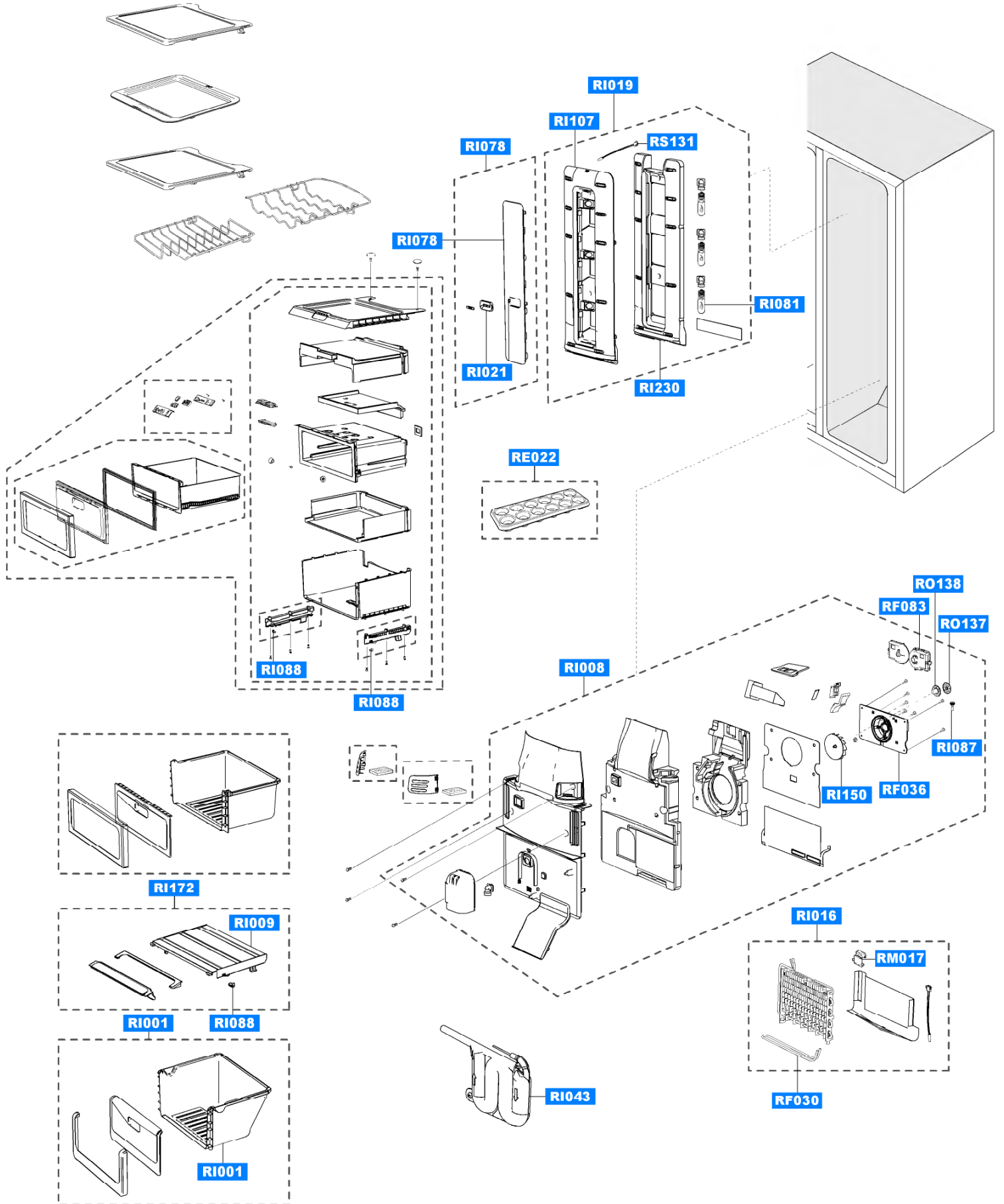


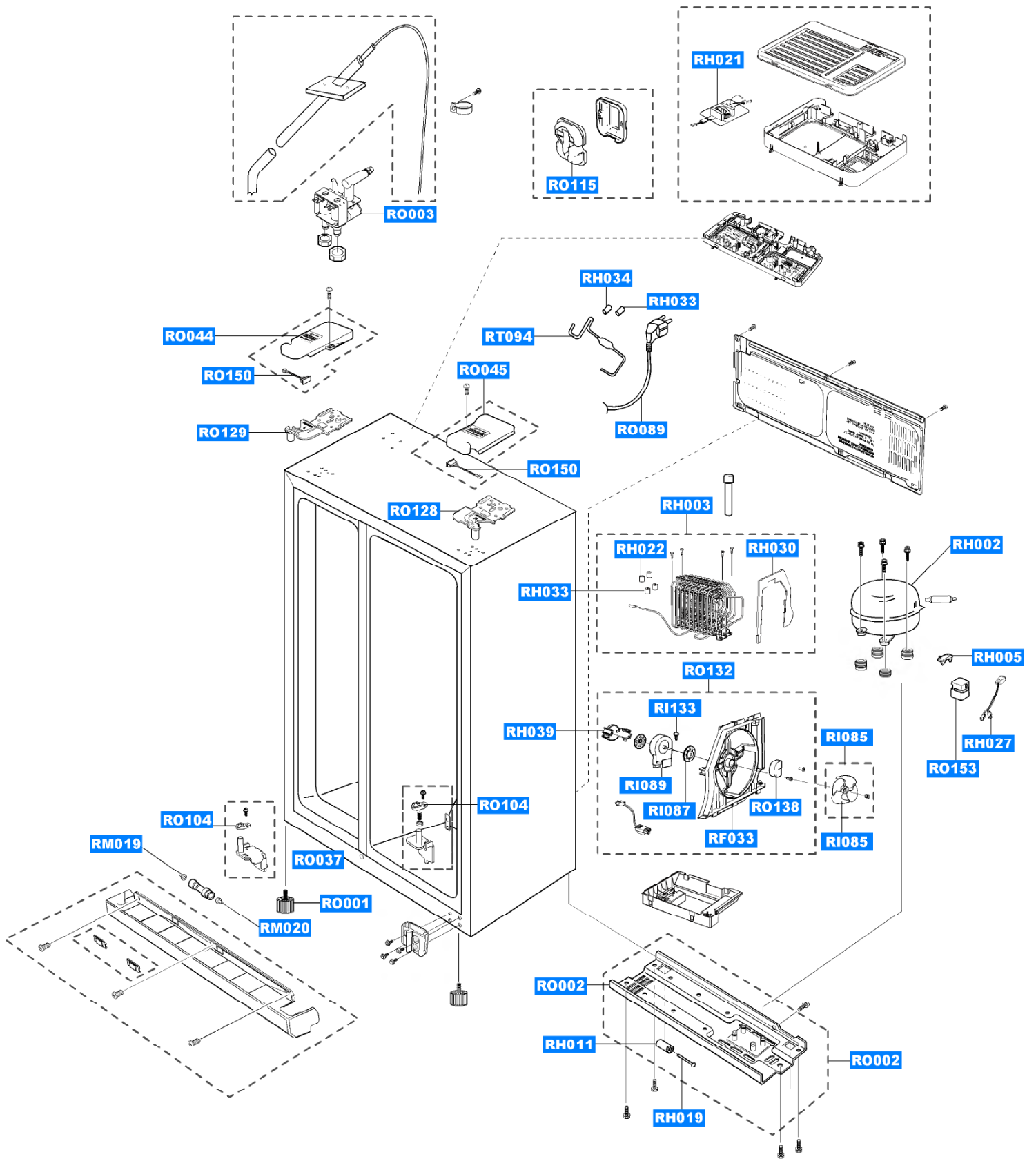
HERMES-PJT Freezer Room (RSH1F***)



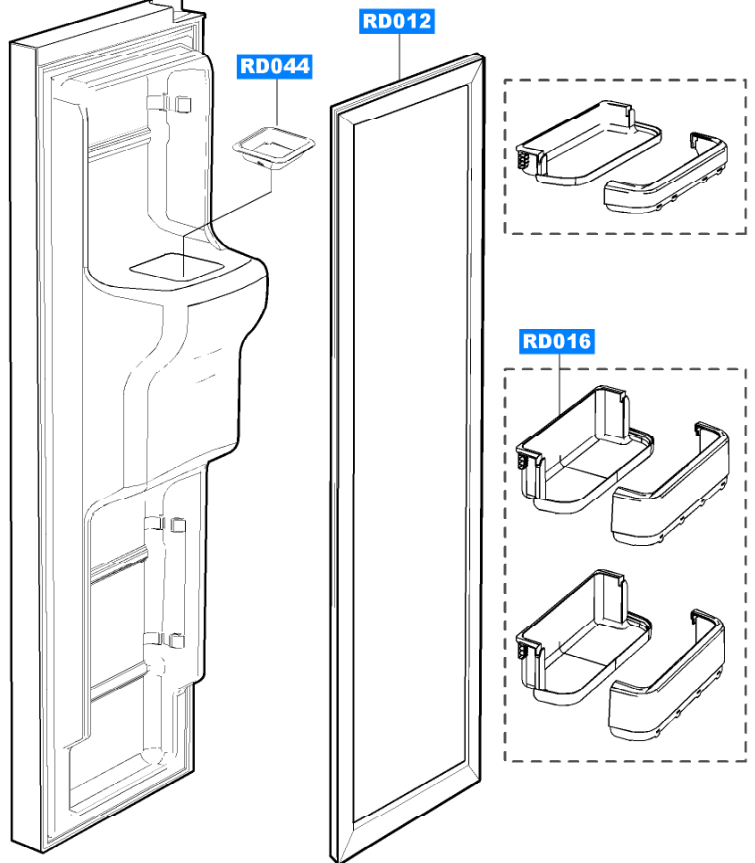
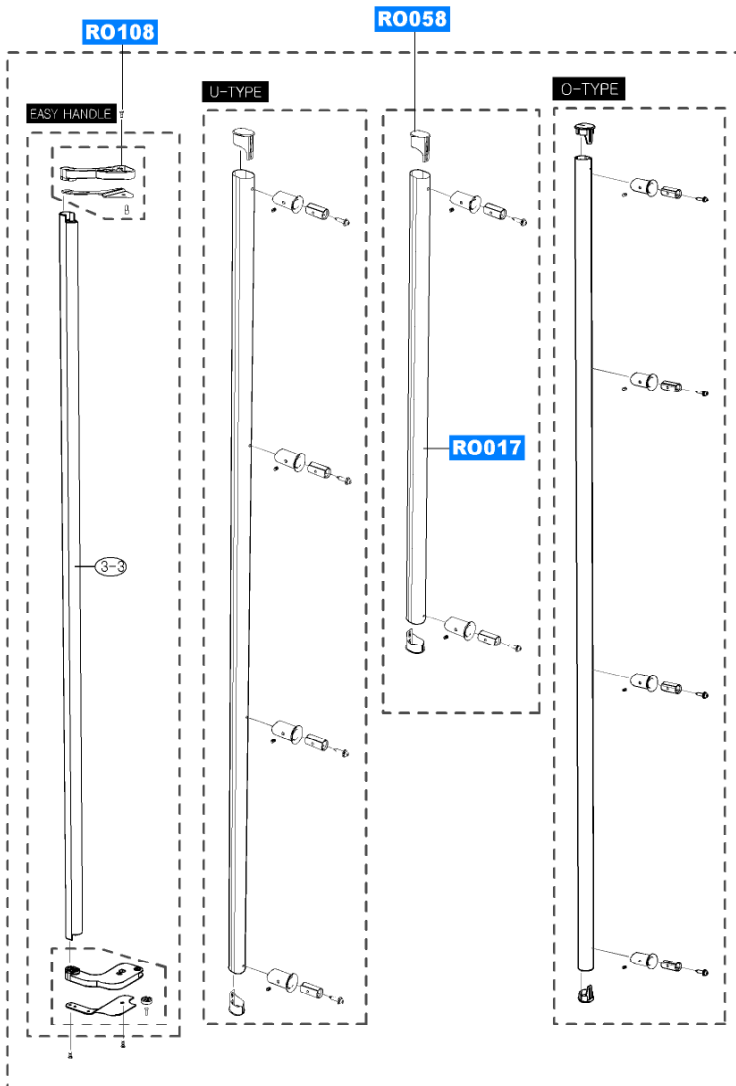
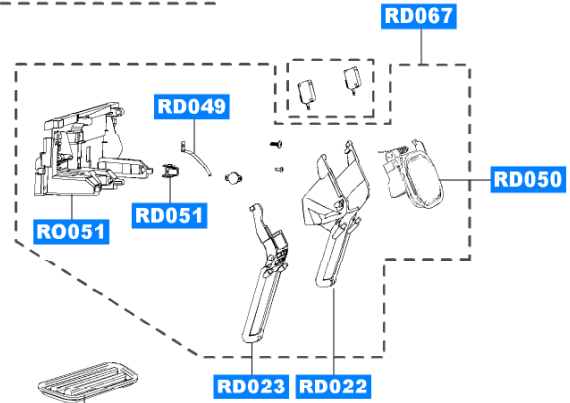
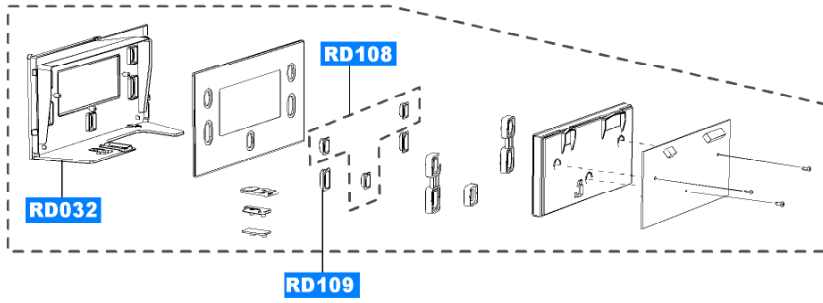
HERMES-PJT Refrigerator Room (RSH1F***)



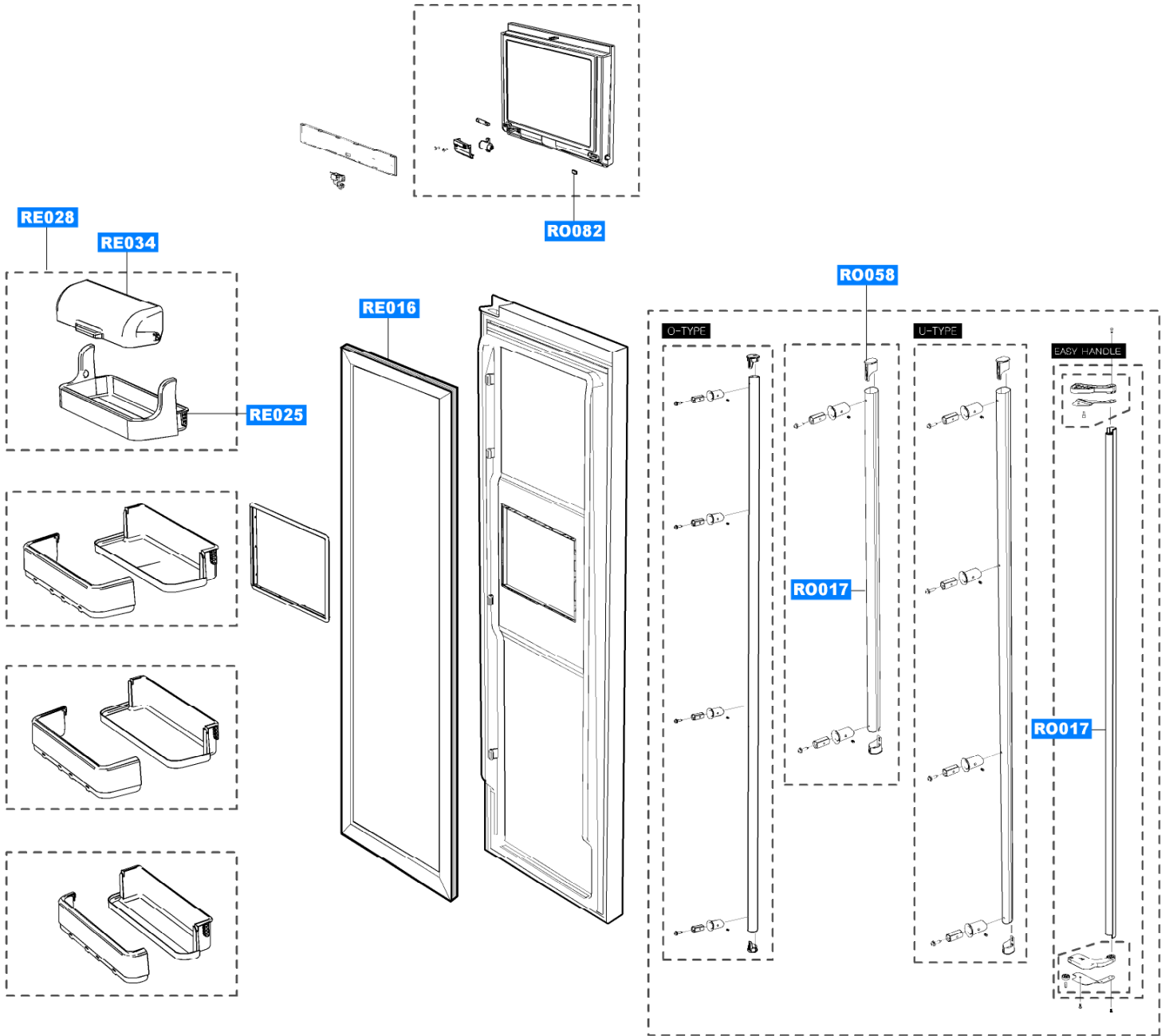
HERMES-PJT Cabinet (RSH1F***)



HERMES-PJT Freezer Room Door (RSH1F***)



HERMES-PJT Refrigerator Room Door (RSH1F***)



◇Part List

(Model Code : RSH1FTRS1/XEF)

Location	Part Code	Part Name	Specification	SA/SNA
RC001	DA62-01329A	PIPE-CONNECT WATER PACKING	ET-PJT,BRASS,	SA
RD001	DA91-02526E	ASSY DOOR FOAM FRE	HERMES,VERSAILLES STS	SA
RD012	DA97-04567C	ASSY-GASKET DOOR FRE	A-TOP,SC-97487,-,-	SA
RD016	DA63-03643A	GUARD-FRE LOW	HERMES PJT,PP,-,-,-,COOL W	SA
RD022	DA66-00294A	LEVER DISPENSER-ICE	AD,ABS,-,-,-,-,CRYST	SA
RD023	DA66-00267A	LEVER DISPENSER-WATER	AD,ABS,T2.5,-,-,-,	SA
RD026	DA97-05023D	ASSY-COVER DISPENSER	HREMES-PJT,SC-00477	SA
RD032	DA63-03581B	COVER-DISPENSER	HERMES,ABS,T2.0,-,-,-,-,	SA
RD044	DA67-01667A	CAP-CHUTE ICE	HERMES,ABS,T1.8,-,-,-,SC-027	SA
RD049	DA61-01616A	SPRING ETC-LEVER DISP WATER	AD,STS304,-,	SA
RD050	DA61-01651A	SPRING ETC-COVER ICE ROUTE	AD,STS304,1.0	SA
RD051	DA61-01868A	BRACKET-OIL DAMPER	AD,ABS,-,-,-,SC-93437	SA
RD051	DA63-03375A	GASKET-COVER ICE ROUTE	A-TOP,AD,ET,SEBS,	SA
RD062	DA71-70003B	GUIDE-ICE DISPENSER	A-TOP,HIPS,-,W45.2,-	SA
RD063	DA34-00011B	SWITCH MICRO	-,-,-,-,250V,-,15A,-,-,-,-,	SA
RD067	DA97-04950A	ASSY COVER-PCB PANEL REAR	A-TOP06,EXP,DI	SA
RD108	DA64-02127B	BUTTON-CONTROL A	HERMES,ABS,-,-,-,SC-07010	SA
RD109	DA64-02128B	BUTTON-CONTROL B	HERMES,ABS,-,-,-,SC-07010	SA
RE001	DA91-02523E	ASSY DOOR FOAM REF	HERMES,VERSAILLES STS	SA
RE016	DA97-04567D	ASSY-GASKET DOOR REF	A-TOP,SC-97487,-,-	SA
RE021	DA61-03601B	GUIDE-BOTTLE REF	HERMES,PP,T2.5,-,-,-,COOL	SA
RE022	DA63-03734A	TRAY-EGG	HERMES-PJT,GPPS,T2.5,W114.2,L3	SA
RE025	DA63-03533B	GUARD-DAIRY	HERMES PJT,ABS,T2.5,-,-,-,COOL	SA
RE025	DA63-03641A	GUARD-REF LOW	HERMES PJT,PP,-,-,-,-,COOL W	SA
RE027	DA63-03640A	GUARD-REF MID	HERMES PJT,PP,-,-,-,-,COOL W	SA
RE034	DA63-03534A	COVER-GUARD DAIRY	HERMES PJT,GPPS/HF2660	SA
RE037	DA64-01985A	MASCOT	SBS,AL,T1.6,-,-,L90,Fixing-type,	SA
RE043	DA61-00776A	STOPPER DOOR	N-PJT,SHP1,T3.0,-,-,-,-,	SA
RE053	DA63-01584N	GASKET-HOME BAR	HERMES,SF-PVC,-,W303,L24	SA
RF001	DA61-03459A	CASE-BASKET LOW	HERMES,SAN,-,-,-,-,TRP,1-P	SA
RF005	DA63-03592A	COVER EVAP-FRE	HERMES,PP,-,-,-,-,-,COOL	SA
RF005	DA97-05052B	ASSY-COVER EVAP FRE	HERMES,-,-,-,-	SA
RF011	DA96-00380A	ASSY EVAP-FRE	HERMES-PJT,-,A1070-H14,-,-,2	SA
RF012	DA63-03527A	COVER-ICE BUCKET	HERMES,PP,-,-,-,-,-,WHI	SA
RF022	DA67-01687A	SHELF-FRE LOW	HERMES-PJT,HIPS,T2.5,-,-,-,S	SA
RF023	DA67-01697A	SHELF FRE-MID	HERMES-PJT,P.P+GLASS,-,W30	SA
RF028	DA39-00060B	WIRE HARNESS-MOTOR	-,-,-,-,-,-,F-FAN,-,-	SA
RF030	DA47-00246A	HEATER-METAL SHEATH	-,-,HERMES-PJT,-,250W,	SA
RF030	DA47-00247A	HEATER-METAL SHEATH	-,-,HERMES-PJT,-,140W,	SA
RF031	DA63-03604A	COVER LAMP-FRE	HERMES,PP,-,-,-,-,-,-,DIS	SA
RF033	DA61-02788A	SUPPORT-CIRCUIT MOTOR	ET/A-TOP_VE,ABS,T2	SA
RF034	DA61-03351A	CASE-AUGER MOTOR	HERMES,PP,-,-,-,-,WHITE(B	SA
RF035	DA63-03528A	COVER-AUGER MOTOR	HERMES,PP,-,-,-,-,-,WH	SA
RF035	DA63-10016B	COVER-CRUSHER DISP	A-TOP,HIPS,-,-,-,-,-,	SA
RF036	DA61-00417A	CASE MOTOR	A-TOP,ABS SCRAP,-,-,-,-,WHT,SBS	SA
RF038	DA31-00146E	MOTOR FAN-BLDC	DREP5020LB,BLDC Motor,0.2	SA
RF039	DA31-00105C	MOTOR GEARED-AUGER	15rpm,50Hz,-,220-240V	SA
RF044	DA60-90137A	PIN-SPRING A	STS304,-,L22,SR-S7180,-,-,-	SA
RF045	DA60-90137B	PIN-SPRING B	STS304,-,L16,SR-S7180,-,-,-	SA
RF054	DA63-03595A	COVER-MULTI FRE	HERMES,PP,-,-,-,-,-,COOL	SA
RF064	DA63-03569A	COVER-BASKET LOW	HERMES,ABS,-,-,-,-,-,TR	SA
RF076	DA60-90125A	RING	SK-5H,-,-,-,-,SR-S7180,-	SA
RF083	DA63-01809A	COVER MOTOR-BLDC	BLDC-NEW,PP,NTR,-,-,-,-,-	SA
RH001	DA63-03656A	COVER-COMP	HERMES-PJT,SBHG1,T0.35,W814,H	SA
RH002	MK4A5QR1U/E10	COMPRESSOR	220-240V?50HZ,RSCR,STATIC	SA

◇Part List

(Model Code : RSH1FTRS1/XEF)

Location	Part Code	Part Name	Specification	SA/SNA
RH003	DA63-03069A	TRAY DRAIN-WATER	ET/A-TOP_VE,PP,T2.0,-,-	SA
RH003	DA97-03869A	ASSY TRAY-DRAIN WATER	ET/A-TOP_VE,-,-,-,-	SA
RH005	DA96-00270A	ASSY-RELAY PTC	12SP18A265RF330,130#/61#,	SA
RH009	DA61-01871A	CASTER	A-TOP,NY-66,O.D-35MM,-,-,-,-	SA
RH011	DA61-40126B	CASTER-REAR	REF-ALL,PP,-,PI 44,NTR,W22,-	SA
RH012	DA60-90124A	RIVET	-,MSWR10,OD6.0,-,-,L56,-,-,-	SA
RH019	DA60-90146A	PIN-CASTER	MSWR10,OD6.0,L40,ZPC2,SR-289-	SA
RH020	DA61-01797A	FIXER GROMMET-DOOR	T3-PJT,ABS,-,SC-02740	SA
RH021	DA27-00014D	COIL FILTER	USP05(SRT768),5mH,-,27,83*60	SA
RH022	DA63-40128A	GROMMET-SUB COND	-,NBR,-,-,-,-,-,DARK-	SA
RH026	DA73-10190U	PIPE-CONNECT DISC,B	TD-PJT,C1220-T,-,6.3	SA
RH027	DA96-00174A	ASSY-HARNESS COMP	EPEL,WIRE-HARNESS MAIN	SA
RH033	DA63-40171B	GROMMET-SUCT PIPE A	-,NBR,OD20,ID4,L20,-	SA
RH034	DA63-40171D	GROMMET-SUCT PIPE B	RAIL L19.5,NR,-,OD20	SA
RH039	DA61-02355B	BRACKET-CIRCUIT MOTOR	ABS,NEXT,-,-,-,NTR	SA
RI001	DA61-03461A	CASE-VEG LOW	HERMES,SAN,-,-,-,TRP,1-PIEC	SA
RI001	DA97-05338B	ASSY-CASE VEG LOW	HERMES,SAN+TAPE ETC PE	SA
RI008	DA97-05247A	ASSY-COVER EVAP REF	HERMES-PJT,D,F-OPTIO	SA
RI009	DA63-03566A	COVER VEG-LOW	HERMES,ABS,-,-,-,-,TRP,-	SA
RI016	DA96-00379A	ASSY EVAP-REF	HERMES-PJT,-,A1070-H14,-,2	SA
RI019	DA97-05062B	ASSY-COVER MULTI REF	HERMES,LAMP-2EA,230	SA
RI021	DA63-02183A	COVER-SENSOR	AD,PP,T1.0,-,-,-,-,WHITE,-	SA
RI021	DA63-03609A	COVER SENSOR	HERMES,ABS,-,-,-,-,COOL W	SA
RI024	DA63-03594A	COVER EVAP-REF	HERMES,PP,-,-,-,-,COOL	SA
RI039	DA67-01690A	SHELF REF-LOW	HERMES-PJT,HIPS,-,-,-,SC-0	SA
RI039	DA97-05140B	ASSY-SHELF REF LOW	HERMES-PJT,-,-,-,-	SA
RI040	DA67-01695A	SHELF REF-MID	HERMES-PJT,P.P+GLASS,-,W44	SA
RI043	DA97-02650E	ASSY TANK WATER	HERMES,-,-,-,-,-,-	SA
RI045	DA47-00258A	HEATER-WATER TANK	-,HERMES,-,5W,-,230V,-	SA
RI069	DA97-01469U	ASSY-INSTALL FILTER	ET,FITTING HOSE,-,-	SA
RI070	DA29-10105H	FILTER WATER-ASSY	-,WSF-100,-,-,305*67*6	SA
RI074	DA47-00133G	THERMO BIMETAL-PROTECTOR	NEXT-PJT,PW-5,1	SA
RI078	DA63-03608A	COVER LAMP-REF	HERMES,PP,-,-,-,-,-,-	SA
RI078	DA97-05064A	ASSY-COVER LAMP REF	HERMES,-,-,-,-	SA
RI080	DA47-00257C	LAMP HOLDER	E14,240V,75W,-,-,PBT,-	SA
RI081	4713-001189	LAMP-INCANDESCENT	240V,-,30W,-,-,-,25x84	SA
RI081	4713-001201	LAMP-INCANDESCENT	230V,0mA,40W,FROST,0Lm	SA
RI085	DA31-00010F	FAN-ASS'Y	-,SBS,ABS+GLASS FIBER(GR-4010)	SA
RI087	DA63-40167A	GROMMET-COVER CHIL	T3.0,SILICON,-,-,-,-,-	SA
RI088	DA63-00202C	GROMMET-RAIL	TD-PJT,NY-6,-,W10.7,L15,-,-	SA
RI089	DA31-00146B	MOTOR BLDC	DRCP5030LA,1560,-,DC12V,230mA	SA
RI098	DA32-00006B	SENSOR ASSY-REF	PX-41C,A TOP,-10C~35C,5V	SA
RI133	DA96-00042A	ASSY-HARNESS MOTOR	A-TOP UL(MOTOR),C-FAN	SA
RI140	DA97-05262A	ASSY GUARD-REF MID	HERMES PJT,-,-,-,-,-,-	SA
RI150	DA31-00053A	FAN-BACKWARD	-,A-TOP,ABS,-,FRE	SA
RI150	DA31-00123A	FAN-BACKWARD	-,USP 05,ABS(HP-0760),-,2.0	SA
RI151	DA47-40001C	LAMP HOLDER-ASSY	E26,-,1A,-,-,PBT(5VA),U	SA
RI170	DA97-05336B	ASSY-CASE BASKET LOW	HERMES,SAN+TAPE ETC	SA
RI172	DA97-05100B	ASSY-COVER SLIDE VEG	HERMES,1PIECE,-,-,-	SA
RI229	DA62-01444A	INSULATION-MULTI FRE	HERMES,FOAM PS,-,-,-	SA
RI230	DA62-01445A	INSULATION-MULTI REF	HERMES,FOAM PS,-,-,-	SA
RM001	DA59-00294A	ICE MAKER-ASSY	NTGN,DC12V,-,-,-,-	SA
RM001	DA97-05071A	ASSY ICE MAKER-MECH	HERMES,-,-,-,-,-,-	SA
RM009	DA61-20139A	SPRING ETC-ICE MAKER	SR-S7180,STS304,PI5	SA
RM010	DA61-03352A	SUPPORT-ICE MAKER	HERMES,HIPS,-,-,-,-,WHIT	SA

◇Part List

(Model Code : RSH1FTRS1/XEF)

Location	Part Code	Part Name	Specification	SA/SNA
RM011	DA63-02284A	TRAY ICE	AD,PP,-,-,-,SC-93437R,BJ73SL	SA
RM012	DA63-03526A	TRAY ICE-BUCKET	HERMES,PP,-,-,-,WHITE(SA
RM012	DA97-05081B	ASSY-TRAY ICE BUCKET	HERMES,CRUSH,-,-	SA
RM017	DA61-00453A	FIXER-SENSOR	A-TOP,EVAP,PP,-,NTR,ALL	SA
RM017	DA61-00603A	FIXER-SENSOR	n-PJT,PP,-,-,-	SA
RM019	DA71-20207A	FIXER-VALVE WATER A	SR-S7180,NY-6,OD7.8	SA
RM020	DA71-20208A	FIXER-VALVE WATER B	SR-S7180,NY-6,OD6.1	SA
RM021	DA64-01264C	TRIM-BLADE	ET/A-TOP_VE,PVC,-,T1.5,-,-,-	SA
RM027	DA61-01800A	FIXER-SENSOR(ICE MAKER)	AD,URETHANE,-,-,-	SA
RO001	DA61-30102A	FOOT-FRONT	SR-F5670,PP,-,YEL,T0.6,-,ZPC2	SA
RO002	DA97-03971C	ASSY CHASSIS-COMP	ET-VE,-,-,W255.5,L895.	SA
RO003	DA63-03531E	COVER-LEG FRONT	HERMES,PP,T2.5,-,-,-,N	SA
RO005	DA39-10115D	CBF-POWER CORD	UCP-2,250V,10/16A,L2100,-	SA
RO007	DA41-00451B	PBA MAIN	HERMES-PJT,TOP OF REF,FR-1,247	SA
RO017	DA64-02162D	HANDLE-BAR	HERMES,AL(A6063),-,-,1633,-,S	SA
RO037	DA97-04107A	ASSY HINGE LOW-L	ET-PJT,T4.5,W80.4,L57.8	SA
RO038	DA61-01608B	HINGE-LOW R	A-TOP/USP,SHP1,T4.5,-,-,BLK-	SA
RO044	DA63-03529E	COVER-HINGE UPP L	HEMRES,ABS,T2.5,-,-,-,	SA
RO045	DA63-03530E	COVER-HINGE UPP R	HEMRES,ABS,T2.5,-,-,-,	SA
RO051	DA63-03259A	COVER PCB-PANEL REAR	A-TOP 06,ABS(HG-076	SA
RO058	DA67-01577D	CAP-HANDLE	CULLINAN,ABS(MP-0160),-,-,-,N	SA
RO065	DA63-03580E	TRAY-DISPENSER	HERMES,ABS,T2.5,-,-,-,SC-	SA
RO076	DA61-03614A	BRACKET-HINGE LOW	HERMES,AL(6063),T3.0,-	SA
RO087	DA62-20111B	TUBE-FITTING	POM,-,-,-,-,SRS6580Z,OD8.1	SA
RO088	DA74-40151F	VALVE-SOLENOID	SR-S6586B,-,-,-,-,CUBE-SN	SA
RO089	DA62-00914A	VALVE WATER-FITTING	RIV-12A-22,220~240V,	SA
RO089	DA97-02682A	ASSY VALVE WATER	EPEL,-,-,-,-	SA
RO090	DA62-00159C	PIPE-WATER LINE	ZIPEL,LLDPE,ID4.30,OD6.3	SA
RO090	DA62-00160C	PIPE-WATER LINE OUT	AD,PVC-FR,ID9.5,OD14	SA
RO104	DA66-00343A	CAM-RISER	USP05(ATOP,ET),NY-66(2110R),BL	SA
RO105	DA66-00344A	CAM-HINGE RISER LOW	USP05(ATOP,ET),NY-66	SA
RO108	6001-000715	SCREW-MACHINE	TH,+,-,M5,L16,ZPC(WHT),SWR	SA
RO108	6001-000725	SCREW-MACHINE	TH,+,-,M4,L16,ZPC(WHT),SWR	SA
RO115	DA63-00476A	COVER-PIPE-WATER	ET-PJT,PP,-,-,-,-,WHT,-	SA
RO128	DA61-02434A	FIXER-HOSE(VALVE)	ET'05-PJT,PP,T2,-,-	SA
RO128	DA61-03355A	HINGE-UPP R	HERMES,SHP1,T3.0,-,-,BLACK,-	SA
RO129	DA61-03354A	HINGE-UPP L	HERMES,SHP1,T3.0,-,-,BLACK,-	SA
RO132	DA97-03870B	ASSY SUPPORT-CIRCUIT MOTOR	ET/ATOP_VE,-	SA
RO137	DA63-01808A	GROMMET-MOTOR,FRONT	BLDC,NBR,BLACK,-,-,-	SA
RO138	DA63-01146A	GROMMET-MOTOR,REAR	A-TOP,NBR,-,-,-,ID6.5	SA
RO138	DA97-02895D	ASSY-COMP SUB	HERMES-PJT,MK4A5QR1U/E10,-	SA
RO141	DA61-02657A	CLIP-DRYER	AD,SECC1,T0.4,-,-	SA
RO146	DA47-00035P	HEATER-WATER PIPE	-,HERMES-PJT,-,10W,-,2	SA
RO147	DA61-01887B	BRACKET-SHIM HINGE LOW	RD-PVC,AD,T1,-,-,-	SA
RO147	DA97-01763D	ASSY HINGE LOW R	USP,-,A-TOP,NEW-SHAFT,N	SA
RO150	DA34-00043A	SWITCH REED-ASS'Y	200VDC,1.5,-	SA
RO153	2301-001848	C-FILM,LEAD	5000nF,-5/10%,450V,Bulk,50x2	SA
RO160	DA62-01268A	TUBE-PVC	A-TOP,SF-PVC,T0.7,OD19.4,L215,	SA
RQ095	DA97-05068B	ASSY-CASE AUGER MOTOR	HERMES,230V,CRUSH,	SA
RQ565	DA63-02017A	GROMMET-COMP	QUEEN,EPDM,-,-,-,-,-,-	SA
RQ582	DA61-00954A	GUIDE-ICE FULL	QUEEN,ABS,-,-,-,-,-	SA
RQ690	DA66-00205A	SHAFT-DAMPER HOME BAR	QUEEN,STS304,48.4,	SA
RQ747	6009-001252	SCREW-SPECIAL	PH,+,-,M4.0,L20(12),ZPC(WH	SA
RS020	6001-001377	SCREW-MACHINE	TH,+,-,M5,L25,ZPC(WHT),SWR	SA
RS036	DA60-00001B	SCREW-SPECIAL	HEX,-,-,-,L8.3,PASS,STS304	SA

◇Part List

(Model Code : RSH1FTRS1/XEF)

Location	Part Code	Part Name	Specification	SA/SNA
RS073	6006-001083	SCREW-TAPPING	TH,+ ,PW,- ,M4,L16,ZPC(WHT),	SA
RS080	6002-000470	SCREW-TAPPING	TH,+ ,-,1,M4,L10,ZPC(WHT),S	SA
RS080	6002-000473	SCREW-TAPPING	TH,+ ,-,1,M4,L14,PASS,STS30	SA
RS080	6002-000480	SCREW-TAPPING	BH,+ ,-,2S,M4,L10,ZPC(WHT),	SA
RS080	6002-000630	SCREW-TAPPING	PH,+ ,-,2S,M3,L8,ZPC(WHT),S	SA
RS080	6003-000003	SCREW-TAPTITE	BH,+ ,-,B,M4,L10,ZPC(BLK),S	SA
RS080	6006-001170	SCREW-TAPPING	TH,+ ,WT,TC,M4,L10,ZPC(WHT)	SA
RS082	6003-001435	SCREW-TAPTITE	HWH,+ ,-,S,M5,L12.7,ZPC(WHT)	SA
RS104	DA32-10105V	SENSOR TEMP	502AT,N PJT,-50~50,5V,-,-,RO	SA
RS111	DA32-00006D	SENSOR TEMP-F DEF SENSOR	PX-41C,EXPORT,-	SA
RS131	DA32-10105H	SENSOR-ASSY	502AT,K-PJT,-10~35,5V,5KOHM,	SA
RW046	DA97-00713C	ASSY-THERMO GUIDE	XEF,THERMO,COOL WHITE,	SA
RW074	DA60-20008A	BOLT-HEX	- ,S25C,- ,L42.6,-,-,-,-	SA
RW077	6011-001442	BOLT-SOCKET	M8,L15,ZPC(BLK),SCM435,-	SA
RW111	DA63-90008A	BUSH-SOLENOID	- ,POM,-,-,-,SC-93438R,-	SA
RW211	DA65-20110B	CLAMP	- ,NY-66,-,-,-,DN-5N,PI8.0	SA
RW358	DA66-90003A	GEAR-SOLENOID	POM,-,-,-,-,SC-93438R	SA
RW389	DA63-00951C	GROMMET-DRAIN HOSE	V2-PJT,NBR,-,-,-,-,-	SA
RW555	6021-001125	NUT-HEXAGON	3,M8, P1.25,ZPC(BLK),SWRCH10	SA
RW559	DA61-01869A	OIL DAMPER	AD,POM,- ,120g/Cm,- ,OD15,-,-	SA
RW595	DA70-20017A	PLATE-D/AUGER DISP	- ,STS304,- ,L127XD14.4	SA
RW664	6009-001255	SCREW-HEX	HEX-PLANGE,HEX,- ,M6,L16,ZPC(WH	SA
RW664	DA60-10004A	SCREW-HEX	HWH,-,-,-,M6,L16,ZPC(WHT),SWRCH1	SA
RW700	DA61-60001A	SLIDER-SOLENOID DISP	- ,POM,-,-,-,-,-	SA
RW709	DA61-20124A	SPRING ETC-DISPENSER	SR-S7180,STS304,PI0	SA
RW716	DA61-20128A	SPRING ETC-FAN	- ,STS304,PI7.8,- ,OD1.0,- ,	SA
RW735	DA61-20140A	SPRING ETC-SOLENOID	SR-S7180,STS304,PI7.	SA
RW915	DA74-00070A	VALVE-FITTING-NUT	ET-PJT,CU,-,-,-,-	SA
RW961	DA72-60348A	SEAL-FOAM PE	SR-S7180,FOAM-PE,BLK,T30,- ,	SA
RZ020	DA73-10190V	PIPE-CONNECT DISC,A	TD-PJT,C1220T 1/2H,-	SA
	6004-001082	SCREW-SET	- ,HT,- ,M4,L4,PASS,STS304,- ,FP	SA
	DA41-00455B	PBA DISPLAY-LED PANEL PBA	HERMES-PJT,Eur	SA
	DA61-02353A	BRACKET CONDENSER-SIDE	NEXT,SCP1,T1,-,-,-	SA
	DA61-02712A	SPRING ETC-LATCH	QUEEN,STS304,1.2,ID10.0	SA
	DA61-02795A	BRACKET-CONDENSER UP	ET/A-TOP_VE,SCP1,T1	SA
	DA61-02796A	BRACKET-CONDENSER LOW	ET/A-TOP_VE,SCP1,T	SA
	DA61-03363D	CASE-PBA MAIN	HERMES,PP,-,-,-,MANHATTAN	SA
	DA61-03378A	SUPPORT-HANDLE	HERMES,ALDC12,-,-,-,-,DIE	SA
	DA61-03393A	PLATE-MULTI FRE REAR HIGH	HERMES,HIPS,- ,	SA
	DA61-03394B	CASE-LATCH	HERME-PJT,POM,- ,48.8,- ,BLK,-	SA
	DA61-03401A	SPRING ETC-LATCH	HERMES,STS304,0.6,2.8,4	SA
	DA61-03403A	BRACKET-HANDLE	HERMES,SWRC10A,-,-,-,-,FH	SA
	DA61-03411A	BRACKET-LATCH	HERME-PJT,ABS,T2.5,-,-,-,-	SA
	DA61-03412A	RAIL-BOX R	HERMES-PJT,HIPS,-,-,-,SC-0274	SA
	DA61-03413A	RAIL-BOX L	HERMES-PJT,HIPS,-,-,-,SC-0274	SA
	DA61-03458A	CASE-BASKET HIGH	HERMES,SAN,-,-,-,TRP,1-	SA
	DA61-03460A	CASE-VEG HIGH	HERMES,SAN,-,-,-,TRP,1-PIE	SA
	DA61-03622A	BRACKET-FIXER HOUSING	HERMES,GALVANUM,T0	SA
	DA62-00717N	SEAL-COVER PBA MAIN	HERMES,FOAM-PE,- ,T3,	SA
	DA62-01431A	INSULATION-COVER PIPE WATER	HERMES,FOAM-	SA
	DA62-01440A	INSULATION EVAP-FRE A	HERMES,FOAM PS,-,-	SA
	DA62-01441A	INSULATION EVAP-FRE B	HERMES,FOAM PS,-,-	SA
	DA62-01446A	INSULATION EVAP-REF A	HERMES,FOAM PS,-,-	SA
	DA62-01447A	INSULATION EVAP-REF B	HERMES,FOAM PS,-,-	SA
	DA62-01459A	SEAL-SUPPORT WATER PIPE	HERMES,FOAM PE,-	SA

◇Part List

(Model Code : RSH1FTRS1/XEF)

Location	Part Code	Part Name	Specification	SA/SNA
	DA62-01472A	SEAL-AL TAPE	HERMES,AL,-,100um,W100,L140	SA
	DA63-03545A	COVER-PBA MAIN	HERMES,SBHG1,T0.4,-,-,-,-	SA
	DA63-03576A	COVER-PBA PANEL	HERMES,PP,T1.8,-,-,-,-,W	SA
	DA63-03584A	GROMMET-BUTTON CONTROL A	HERMES,SILICON,	SA
	DA63-03585A	GROMMET-BUTTON CONTROL B	HERMES,SILICON,	SA
	DA63-03605A	COVER-DEODORIZER L	HERMES,PP,-,-,-,-,-,C	SA
	DA63-03606A	COVER-DEODORIZER R	HERMES,PP,-,-,-,-,-,C	SA
	DA63-03629A	GROMMET-WATER PIPE FILL IN	HERMES,SILICO	SA
	DA63-03637A	COVER-SLIDE BASKET	HERMES,SAN,-,-,-,-,-,	SA
	DA63-03638A	COVER-SLIDE VEG	HERMES,SAN,-,-,-,-,-,TRP	SA
	DA63-03639A	GUARD-REF TOP	HERMES PJT,PP,-,-,-,COOL W	SA
	DA63-03642B	GUARD-FRE TOP	HERMES PJT,PP,-,-,-,COOL W	SA
	DA63-03717A	GROMMET-SUPT HANDLE	CULLINAN-PJT,PP,-,-,	SA
	DA63-03729B	GUARD-FRE SUB	HERMES,ABS,T2.0,-,-,-,-,-	SA
	DA64-02134A	TRIM-CASE BRACKET FRONT	HERME-PJT,ABS,-,	SA
	DA64-02136A	TRIM-CASE BRACKET OUT	HERME-PJT,PP,-,-,-,3	SA
	DA64-02138B	LOCKER-LATCH	HERMES-PJT,POM,BLK,-,-,-,-	SA
	DA64-02141A	TRIM-SENSOR	HERMES,ABS,-,-,-,COOL WHT,-	SA
	DA64-02215A	TRIM-HUMIDITY VEG	HERMES,PP,-,-,-,-,WHITE,	SA
	DA64-02230A	TRIM-HUMIDITY REF	HERMES,PP,-,-,-,-,WHITE,	SA
	DA66-00388A	LEVER-CUBE	ET-VE,MSWR10,-,-,-,-,-,-	SA
	DA67-01501J	CAP-SUPT HANDLE,MID	HERMES,ABS,-,-,-,-,SC-	SA
	DA67-01672A	CAP-INS EVAP REF B	HERMES,HIPS,-,-,-,-,NTR	SA
	DA67-01676E	CAP-OIL DAMPER	HERME-PJT,ABS,T2.5,-,-,-,Ve	SA
	DA67-01694A	SHELF REF-TOP	HERMES-PJT,P.P+GLASS,T2.0,	SA
	DA67-01696A	SHELF FRE-TOP	HERMES-PJT,P.P+GLASS,-,W30	SA
	DA69-00484K	BAG ENVELOPE-PE	A-TOP,LDPE,T0.1,L300,W25	SA
	DA73-00063B	PIPE-WATER FRA,A	ET-PJT,PP,-,-,-,-,-,-	SA
	DA75-00203A	RACK-WINE	HERMES-PJT,STS304,#5.0,-,-,-,-,-	SA
	DA80-00002C	WRENCH-SPANNER	SAPPHIRE,SM45C,-,-,-,-,-,Ni	SA
	DA96-00036M	ASSY-WIRE HARNESS SUB(EM)	HERMES-PJT,100	SA
	DA97-03956D	ASSY DAMPER-HOMEBAR	HERMES,-,EXPORT,-,-,10	SA
	DA97-03962A	ASSY PIPE-SIPRAL COND	ET/A-TOP_VE,-	SA
	DA97-03973A	ASSY REINF-FLANGE UPP	ET_VE,-,-,-,-,-,-	SA
	DA97-04045A	ASSY TUBE-DRAIN	ET-PJT,SOFT-PVC	SA
	DA97-04979E	ASSY COVER-HINGE UPP R	HERMES,-,T2.5,-,-,-	SA
	DA97-05063A	ASSY-COVER MULTI FRE	HERMES,DISP,-,-,-	SA
	DA97-05067A	ASSY-COVER PIPE WATER	HERMES,-,-,-,-	SA
	DA97-05070A	ASSY-PIPE WATER FRE	HERMES,230V/10W,-,-,-	SA
	DA97-05073E	ASSY-HANDLE BAR REF	HERMES,AL(A6063), L1	SA
	DA97-05074E	ASSY-HANDLE BAR FRE	HERMES,AL(A6063), L1	SA
	DA97-05083B	ASSY-LATCH HOME BAR	HERME-PJT,POM, BLK,-	SA
	DA97-05103A	ASSY-COVER SLIDE BASKET	HERMES,IPIECE,-,	SA
	DA97-05141A	ASSY-SHELF FRE LOW	HERMES-PJT,-,-,-,-	SA
	DA97-05202B	ASSY-COVER-COMP	HERMES-PJT,SBHG1,T0.35	SA
	DA97-05233A	ASSY RAIL-BOX L	HERMES-PJT,T2.0,W17,L260	SA
	DA97-05234A	ASSY RAIL-BOX R	HERMES-PJT,T2.0,W17,L260	SA
	DA97-05335B	ASSY-CASE BASKET HIGH	HERMES,SAN+TAPE ET	SA
	DA97-05337B	ASSY-CASE VEG HIGH	HERMES,SAN+TAPE ETC P	SA
	DA99-01227B	ASSY LABEL-COVER-ICE BUCKET	NEXT,OPP	SA
	DA99-01444L	ASSY LABEL-ENERGY GUIDE	RSH1F~,CE	SA