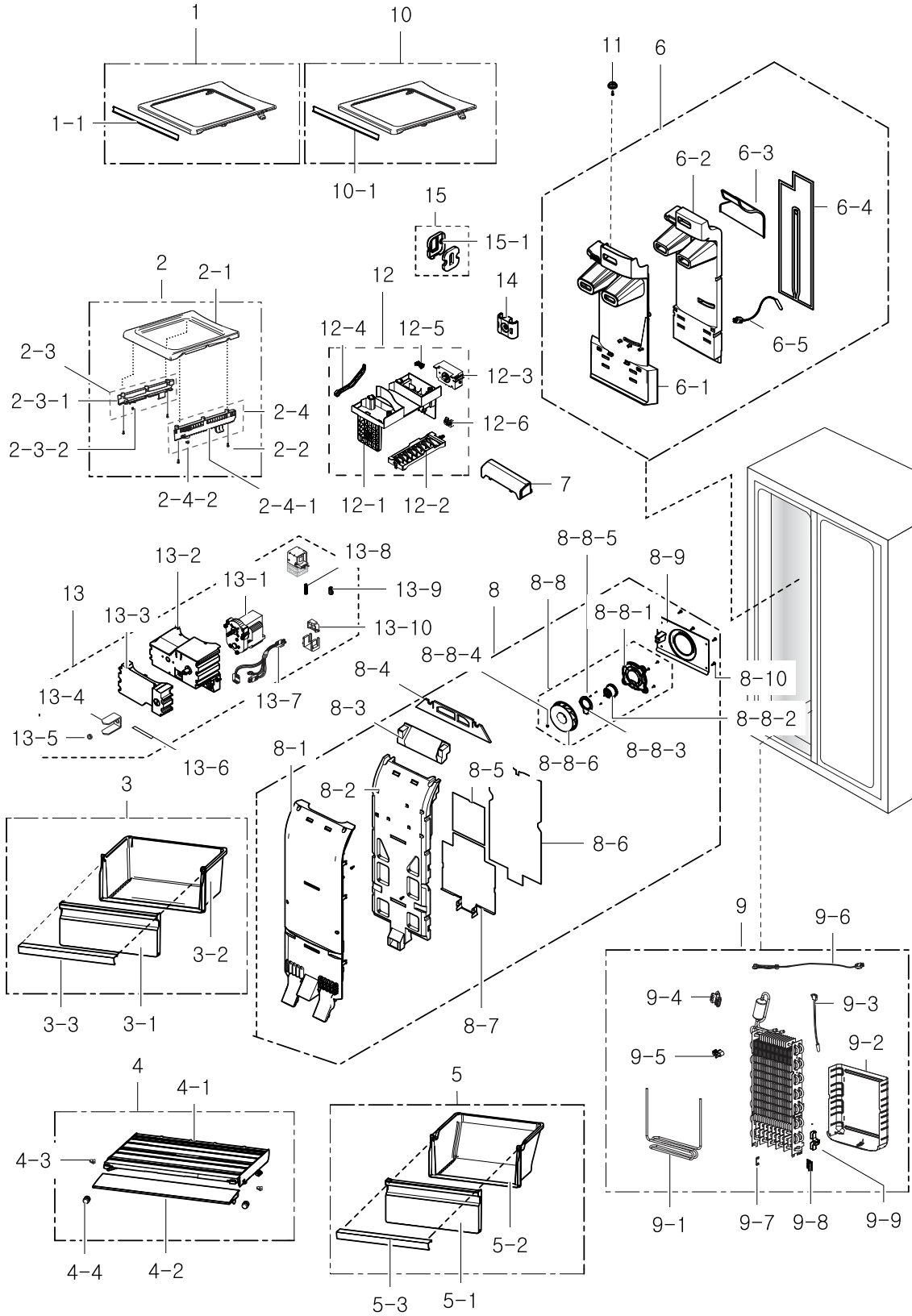


1. Freezer

Exploded View



Parts List

No.	Lvl.	Loc.	Material Code	Description & Specification	SNA	Qty.
1	2		DA97-12800B	ASSY SHELF-FRE TOP; HM12-PJT,WHITE TRIM	SA	1
1-1	3		DA64-03760F	TRIM-SHELF REAR; HERMES-12,ABS,HG-06601,L	SA	1
2	2	G0567	DA97-06927A	ASSY-SHELF FRE LOW; HERMES-PJT,-,-,-	SA	1
2-1	3	G0590	DA67-02110A	SHELF-FRE LOW; HERMES-PJT,HIPS,-,-,-,COOL	SA	1
2-2	3	G0412	6002-000215	SCREW-TAPPING; TH,+NO,1,M4,L16,ZPC(WHT),	SNA	4
2-3	3	G0565	DA97-05233B	ASSY RAIL-BOX L; HERMES-PJT,T2.0,W17,L260	SA	1
2-3-1	4		DA61-03413B	RAIL-BOX L; HERMES-PJT,TALC PP,-,-,-,NATU	SNA	1
2-3-2	4	G0587	DA63-00202C	GROMMET-RAIL; TD-PJT,NY-66,W10.7,COOL WHI	SA	1
2-4	3	G0566	DA97-05234B	ASSY RAIL-BOX R; HERMES-PJT,T2.0,W17,L260	SA	1
2-4-1	4		DA61-03412B	RAIL-BOX R; HERMES-PJT,TALC PP,-,-,-,NATU	SNA	1
2-4-2	4	G0587	DA63-00202C	GROMMET-RAIL; TD-PJT,NY-66,W10.7,COOL WHI	SA	1
3	2	Z1188	DA97-12801B	ASSY CASE-VEG HIGH; HM12-PJT	SA	1
3-1	3		DA63-07072A	COVER-VEG HIGH; HM12,GPPS,Transparency	SNA	1
3-2	3	A0677	DA61-08432A	CASE-VEG HIGH; HM12,GPPS,Transparency	SNA	1
3-3	3		DA64-03862L	TRIM-TRAY FRE; HERMES-12,ABS,SG 0167,T1.2	SA	1
4	2		DA97-12806A	ASSY COVER-SLIDE VEG; HM12-PJT	SA	1
4-1	3	G0544	DA63-07017A	COVER-VEG LOW; HM10-SEPM,ABS,TRP,UT-0510	SA	1
4-2	3		DA63-07076A	COVER-SLIDE VEG; HM12,PC,Transparency,302	SA	1
4-3	3	G0587	DA63-00202C	GROMMET-RAIL; TD-PJT,NY-66,W10.7,COOL WHI	SA	2
4-4	3		DA63-07113A	GROMMET-COVER SIDE; HM12,SILICON,Transpar	SA	2
5	2	M0236	DA97-12802B	ASSY CASE-VEG LOW; HM12-PJT	SA	1
5-1	3		DA63-07073A	COVER-VEG LOW; HM12,GPPS,Transparency	SNA	1
5-2	3	M0268	DA61-08433A	CASE-VEG LOW; HM12,GPPS,Transparency	SNA	1
5-3	3		DA64-03862L	TRIM-TRAY FRE; HERMES-12,ABS,SG 0167,T1.2	SA	1
6	2	Z1178	DA97-12926A	ASSY COVER MULTI FRE; HM12,COOL WHITE	SA	1
6-1	3		DA63-07193A	COVER-MULTI FRE; HM12,PP,COOL WHT	SNA	1
6-2	3		DA62-03789A	INSULATION-MULTI FRE; HM12,FOAM-PS,WHT	SNA	1
6-3	3		DA61-03393B	PLATE-MULTI FRE REAR HIGH; HERMES,PP,-,W1	SNA	1

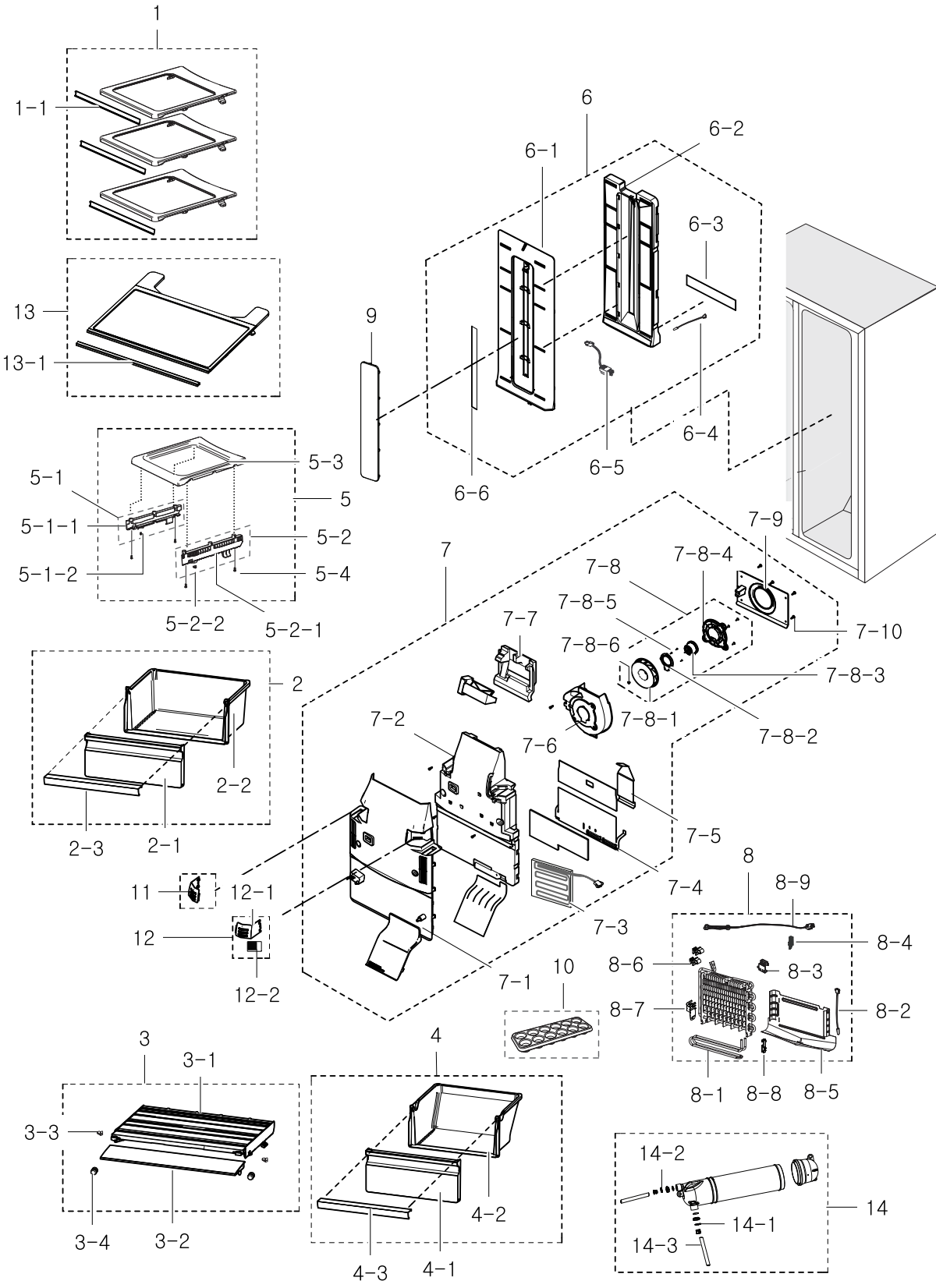
No.	Lvl.	Loc.	Material Code	Description & Specification	SNA	Qty.
6-4	3		DA62-01438A	SEAL-COVER MULTI FRE REAR; HERMES,NITRONG	SNA	1
6-5	3	A1018	DA32-10105V	SENSOR TEMP; 502AT,N PJT,-50~50,5V,-,-,RO	SNA	1
7	2	M0152	DA63-07192A	COVER-LAMP FRE; HM12,PP,NTR	SA	1
8	2	M0303	DA97-12820A	ASSY COVER EVAP-FRE; HM12,BASIC, AIO Slim	SA	1
8-1	3		DA63-07060A	COVER EVAP-FRE; HM12,PP,T2.0,COOL-WHITE,B	SNA	1
8-2	3		DA62-03720A	INSULATION-EVAP FRE A; HM12,FOAM-PS,WHITE	SNA	1
8-3	3		DA62-03722A	INSULATION-EVAP FRE B; HM12,FOAM-PS,WHITE	SNA	1
8-4	3		DA62-03765A	SEAL-COVER EVAP FRE HIGH; HM12,OJC-3000,W	SNA	1
8-5	3		DA61-08591A	PLATE-INS EVAP FRE HIGH; HM12,PP,T1,NTR	SNA	1
8-6	3		DA62-03764A	SEAL-COVER EVAP FRE REAR; HM12,FOAM-PE+AL	SNA	1
8-7	3		DA61-08423A	PLATE-EVAP HEATER FRE; HM10-SEPM,GL-SAZCC	SNA	1
8-8	3	M0005	DA96-00968A	ASSY MOTOR-FAN; DREP8020RB,DC 12V,1870,HM	SA	1
8-8-1	4		DA61-08439A	BRACKET-MOTOR; HM12,ABS,NTR,AIO Q7 MOTOR	SNA	1
8-8-2	4	A0998	DA31-00305B	MOTOR BLDC; DREP8020RB,1870+-4%,DC 12V,0.	SA	1
8-8-3	4		DA61-08440A	BRACKET-MOTOR SUB; HM12,HIPS,NTR,AIO Q7 M	SNA	1
8-8-4	4	A0768	DA61-20128A	SPRING ETC-FAN; STS304,PI8.8,ID7.8,OD9.8,	SNA	1
8-8-5	4	G0412	6002-000630	SCREW-TAPPING; PH,+,NO,2S,M3,L8,ZPC(WHT),	SA	3
8-8-6	4	M0160	DA31-00292A	FAN-BACKWARD; OPUS1,ABS,NTR	SA	1
8-9	3	M0143	DA61-08425A	CASE-MOTOR FRE; HM12,ABS,T2.5,NTR,GP35	SA	1
8-10	3	G0412	6002-001204	SCREW-TAPPING; TH,+,-,1,M4,L16,PASS,STS43	SA	4
9	2	A0163	DA96-00675N	ASSY EVAP-FRE; HERMES,FIN PIPE,A1070S-H14	SA	1
9-1	3	G0515	DA47-00320L	HEATER-SHEATH-METAL FRE; HM10,INCOLOY840,	SA	1
9-2	3		DA61-05989B	PLATE-DRAIN EVAP FRE; HERMES,GL-SAZCC,T0.	SNA	1
9-3	3	A1018	DA32-00029N	SENSOR TEMP; DTN-C502G6X,NEXT-PJT,40~110	SA	1
9-4	3	T0066	DA61-00603A	FIXER-SENSOR; n-PJT,PP,-,-,-	SNA	1
9-5	3	M0475	DA61-06013A	FIXER-WIRE; AW3-PJT,PP,NTR	SNA	2
9-6	3	A1008	DA47-00301F	THERMO FUSE-ASSY; TWIN,120V/250V,15A/10A,	SA	1

Exploded Views and Parts List

No.	Lvl.	Loc.	Material Code	Description & Specification	SNA	Qty.
9-7	3	M0475	DA61-06013A	FIXER-WIRE; AW3-PJT,PP,NTR	SNA	2
9-8	3	A0744	DA61-05160A	FIXER-FUSE; CULLI_09,PP,BJ-730,NTR,-	SNA	1
9-9	3	G0521	DA61-06691A	FIXER-WIRE FRE SUB; HM/GGH/HAEMIL,PP,NTR,	SA	1
10	2		DA97-12799B	ASSY SHELF-FRE MID; HM12-PJT,WHITE TRIM	SA	1
10-1	3		DA64-03760F	TRIM-SHELF REAR; HERMES-12,ABS,HG-06601,L	SA	1
11	2	G0200	DA61-01797A	FIXER GROMMET-DOOR; T3-PJT,PP,SC-02740R	SA	2
12	2	M0247	DA97-05071B	ASSY ICE MAKER-MECH; HERMES,-,-,-,-,-	SA	1
12-1	3	Z1244	DA61-03352B	SUPPORT-ICE MAKER; HERMES,HIPS,-,-,-,-, NATU	SA	1
12-2	3	A0120	DA63-02284B	TRAY ICE; AD,PP,NTR	SA	1
12-3	3	Z1220	DA59-00294B	ICE MAKER-ASS'Y; NTGN,DC 12V,-,-,-,-,-	SA	1
12-4	3	Z1221	DA61-00954B	GUIDE-ICE FULL; AW,ABS,-,-,-,-,NTR,-	SA	1
12-5	3		DA63-02183A	COVER-SENSOR; AD,PP,T1.0,-,-,-,-, WHITE,-	SA	1
12-6	3		DA61-01800A	FIXER-SENSOR(ICE MAKER); AD,URETHANE,-,-,-,	SA	1
13	2		DA97-08744D	ASSY-CASE AUGER MOTOR; HERMES10,LED,230V,	SA	1
13-1	3	M0199	DA31-00105F	MOTOR GEARED-AUGER; ISG3240SSH-1,150Kgf.c	SA	1
13-2	3	M0393	DA61-06042A	CASE-AUGER MOTOR; HM10,ABS,COOL-WHITE(SC-	SA	1
13-3	3		DA63-03528B	COVER-AUGER MOTOR; HERMESS,PP,-,-,-,-,-,N	SA	1
13-4	3		DA70-20017A	PLATE-D/AUGER DISP; STS304,L127xD14.4	SA	1
13-5	3	M0166	DA71-00163A	FIXER-NUT; ZIPEL,STS420,T1,-,-,CLIP,STS420-	SA	1
13-6	3	G0090	DA41-00519P	ASSY-ROOM LAMP LED; SSEDA,CEM-1,100*20*1	SA	2
13-7	3	M0260	DA96-00682B	ASSY W/HARNESS-SUB EM; HM10-PJT,100~240V	SA	1
13-8	4		DA61-20140A	SPRING ETC-SOLENOID; SR-S7180,STS304,PI7.	SA	1
13-9	4	M0263	DA63-90008A	BUSH-SOLENOID; -,POM,-,-,-,-,SC-93438R,-	SA	1
13-10	4		DA61-60001A	SLIDER-SOLENOID DISP; SSEDA PJT,POM,WHITE	SA	1
14	2		DA61-03467B	FIXER-HOSE; AW-PJT,HIPS,NTR	SA	1
15	2	M0083	DA97-00979C	ASSY COVER-PIPE WATER; HERMES-PJT,PP RECY	SA	1
15-1	3	A1258	DA63-00476B	COVER-PIPE WATER; HERMES-PJT,PP SCRAP,-,-	SA	1

2. Fridge

Exploded View



Parts List

No.	Lvl.	Loc.	Material Code	Description & Specification	SNA	Qty.
1	2		DA97-12798B	ASSY SHELF-REF TOP; HM12-PJT,WHITE TRIM	SA	3
1-1	3		DA64-03760E	TRIM-SHELF REAR; HERMES-12,ABS,HG-06601,L	SA	3
2	2	Z1189	DA97-12803B	ASSY CASE-BASKET HIGH; HM12-PJT	SA	1
2-1	3	A1182	DA63-07075A	COVER-BASKET HIGH; HM12,GPPS,Transparency	SNA	1
2-2	3		DA61-08435A	CASE-BASKET HIGH; HM12,GPPS,Transparency	SNA	1
2-3	3		DA64-03862K	TRIM-TRAY FRE; HERMES-12,ABS,SG 0167,T1.2	SA	1
3	2		DA97-12807A	ASSY COVER-SLIDE BASKET; HM12-PJT	SA	1
3-1	3	G0408	DA63-07054A	COVER-BASKET LOW; HM10-SEPM,ABS,TRP,UT-05	SA	1
3-2	3		DA63-07077A	COVER-SLIDE BASKET; HM12,PC,Transparency,	SA	1
3-3	3	G0587	DA63-00202C	GROMMET-RAIL; TD-PJT,NY-66,W10.7,COOL WHI	SA	2
3-4	3		DA63-07113A	GROMMET-COVER SIDE; HM12,SILICON,Transpar	SA	2
4	2	A0496	DA97-12804B	ASSY CASE-BASKET LOW; HM12-PJT	SA	1
4-1	3	G0408	DA63-07074A	COVER-BASKET LOW; HM12,GPPS,Transparency	SNA	1
4-2	3	G0407	DA61-08434A	CASE-BASKET LOW; HM12,GPPS,Transparency	SNA	1
4-3	3		DA64-03862K	TRIM-TRAY FRE; HERMES-12,ABS,SG 0167,T1.2	SA	1
5	2	A0966	DA97-06928A	ASSY-SHELF REF LOW; HERMES,-,-,-	SA	1
5-1	3	G0565	DA97-05233B	ASSY RAIL-BOX L; HERMES-PJT,T2.0,W17,L260	SA	1
5-1-1	4		DA61-03413B	RAIL-BOX L; HERMES-PJT,TALC PP,-,-,-,NATU	SNA	1
5-1-2	4	G0587	DA63-00202C	GROMMET-RAIL; TD-PJT,NY-66,W10.7,COOL WHI	SA	1
5-2	3	G0566	DA97-05234B	ASSY RAIL-BOX R; HERMES-PJT,T2.0,W17,L260	SA	1
5-2-1	4		DA61-03412B	RAIL-BOX R; HERMES-PJT,TALC PP,-,-,-,NATU	SNA	1
5-2-2	4	G0587	DA63-00202C	GROMMET-RAIL; TD-PJT,NY-66,W10.7,COOL WHI	SA	1
5-3	3	A0682	DA67-02108A	SHELF REF-LOW; HERMES-PJT,HIPS,-,-,-,COOL	SNA	1
5-4	3	G0412	6002-000215	SCREW-TAPPING; TH,+ ,NO,1,M4,L16,ZPC(WHT),	SNA	4
6	2	G0239	DA97-12823A	ASSY COVER MULTI-REF; HM12,COOL WHITE,LED	SA	1
6-1	3	A0689	DA63-07081A	COVER-MULTI REF; HM12,PP,COOL WHITE(SC-02	SNA	1

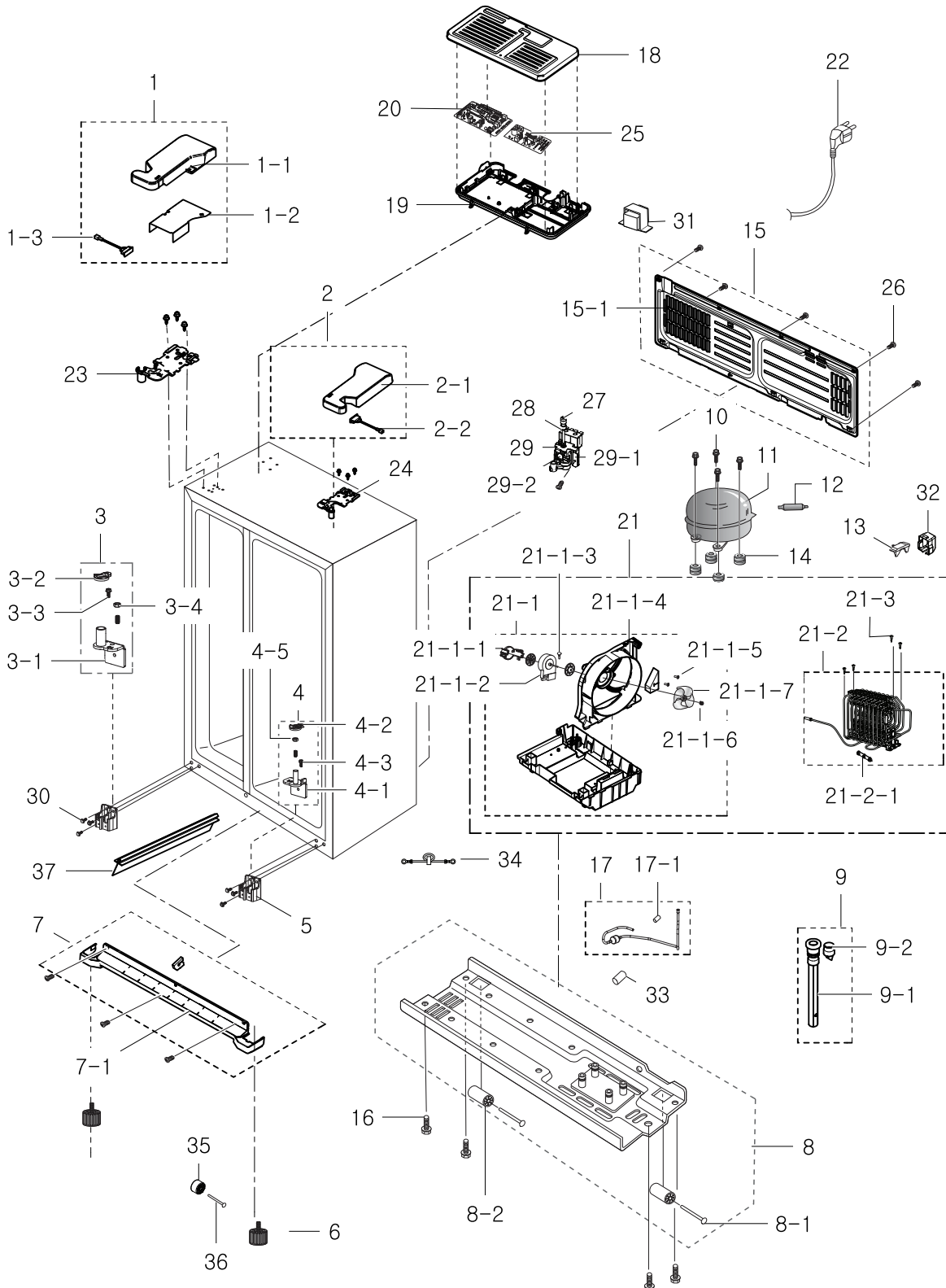
No.	Lvl.	Loc.	Material Code	Description & Specification	SNA	Qty.
6-2	3	A0695	DA62-03726A	INSULATION-MULTI REF; HM12,FOAM-PS,WHITE,	SNA	1
6-3	3		DA61-03361A	PLATE-MULTI REF REAR; HERMES,PP,T0.6,-,-,	SNA	1
6-4	3	A1018	DA32-10105U	SENSOR TEMP; 502AT,A-TOP,-50~50,5V,-,-,RO	SA	1
6-5	3	G0563	DA96-00424F	ASSY W/HARNESS-LED LAMP; NEXT08,W/H LED L	SA	1
6-6	3	T0096	DA41-00519Y	PBA COSMO-LED LAMP; SSEDA,FR-4,490*20,9 E	SA	1
7	2	Z1177	DA97-12824A	ASSY COVER EVAP-REF; HM12,COOL WHITE,BASI	SA	1
7-1	3		DA63-07079A	COVER EVAP-REF; HM12,PP,COOL WHITE(SC-027	SNA	1
7-2	3		DA62-03727A	INSULATION EVAP-REF A; HM12,FOAM-PS,WHITE	SNA	1
7-3	3	G0514	DA47-00258A	HEATER-WATER TANK; -,HERMES,-,5W,-,230V,-	SA	1
7-4	3		DA61-08406A	PLATE-EVAP HEATER REF; HERMES,AL,T0.3	SNA	1
7-5	3		DA61-08407A	PLATE-DRAIN INS EVAP REF; HERMES,AL,T0.3	SNA	1
7-6	3		DA61-08437A	GUIDE AIR-REF; HM12,HIPS,HG-1760SF,COOL W	SA	1
7-7	3		DA62-03734A	INSULATION EVAP-REF B; HM12,FOAM-PS,WHITE	SNA	1
7-8	3	M0005	DA96-00968A	ASSY MOTOR-FAN; DREP8020RB,DC 12V,1870,HM	SA	1
7-8-1	4	M0160	DA31-00292A	FAN-BACKWARD; OPUS1,ABS,NTR	SA	1
7-8-2	4		DA61-08440A	BRACKET-MOTOR SUB; HM12,HIPS,NTR,AIO Q7 M	SNA	1
7-8-3	4	A0998	DA31-00305B	MOTOR BLDC; DREP8020RB,1870+-4%,DC 12V,0.	SA	1
7-8-4	4		DA61-08439A	BRACKET-MOTOR; HM12,ABS,NTR,AIO Q7 MOTOR	SNA	1
7-8-5	4	G0412	6002-000630	SCREW-TAPPING; PH,+,-,NO,2S,M3,L8,ZPC(WHT),	SA	3
7-8-6	4	A0768	DA61-20128A	SPRING ETC-FAN; STS304,PI8.8,ID7.8,OD9.8,	SNA	1
7-9	3		DA61-08438A	PLATE-MOTOR REF; HM12,ABS,NTR,ABS,AIO Q7	SA	1
7-10	3	G0412	6002-001204	SCREW-TAPPING; TH,+,-,1,M4,L16,PASS,STS43	SA	4
8	2	A0184	DA96-00676K	ASSY EVAP-REF; HERMES,FIN PIPE,A1070S-H14	SA	1
8-1	3	G0516	DA47-00321L	HEATER-SHEATH-METAL; HM10-PJT,NCOLOY840,1	SA	1
8-2	3	A1018	DA32-00029R	SENSOR TEMP; DTN-C502G6X,SSEDA-PJT,40~110	SA	1
8-3	3		DA61-03683A	FIXER-SENSER; AW-PJT,PP,-,NTR,FH-44N	SNA	1

Exploded Views and Parts List

No.	Lvl.	Loc.	Material Code	Description & Specification	SNA	Qty.
8-4	3	A0744	DA61-05160A	FIXER-FUSE; CULLI_09,PP,BJ-730,NTR,-	SNA	1
8-5	3	M0404	DA61-05702B	PLATE-DRAIN EVAP REF; HERMES, GUGGENHEIM,	SNA	1
8-6	3	M0475	DA61-06013A	FIXER-WIRE; AW3-PJT,PP,NTR	SNA	2
8-7	3	G0519	DA61-06062A	PLATE-EVAP BRACKET REF; HERMES/GUGGENHEIM	SA	1
8-8	3	G0522	DA61-06700A	FIXER-HEATER WIRE REF; HM/GGH/HAEMIL,PP,N	SA	2
8-9	3	A1008	DA47-00301B	THERMO FUSE-ASSY; HERMES,120V/250V,15A/10	SA	1
9	2	A0710	DA63-07034A	COVER-LAMP REF; HM10-SEPM,PP,NTR	SA	1
10	2	Z1106	DA63-07014A	TRAY-EGG; HM10,GPPS,TRANSPARENCY	SA	1
11	2		DA63-07080A	COVER-DEODORIZER L; HM12,PP,COOL WHITE(SC	SA	1
12	2		DA97-12822A	ASSY COVER-DEODORIZER R; HM12,COOL WHITE	SA	1
12-1	3		DA63-07083A	COVER-DEODORIZER R; HM12,PP,COOL WHITE(SC	SA	1
12-2	3	G0513	DA02-90106R	CATALYST-LTC; ALL,T5,W40,L40	SA	1
13	2	A0909	DA97-12797B	ASSY SHELF-REF MID; HM12-PJT,WHITE TRIM	SA	1
13-1	3		DA64-03760E	TRIM-SHELF REAR; HERMES-12,ABS,HG-06601,L	SA	3
14	2	M0042	DA97-12702B	ASSY TANK WATER; HM10 SEPM,ASSY,NTR	SA	1
14-1	3		DA61-04521A	CLIP-FITTING LOCK; AW,POM,-,-,5/16inch	SNA	1
14-2	3		DA61-04522A	CLIP-FITTING LOCK; AW,POM,-,-,1/4inch	SNA	1
14-3	3		DA62-02429U	PIPE-WATER LINE; A-TOP08,LLDPE,OD7.93,100	SNA	1

3. Cabinet

Exploded View



Parts List

No.	Lvl.	Loc.	Material Code	Description & Specification	SNA	Qty.
1	2	A0241	DA97-12758A	ASSY COVER HINGE-UPP L; HM10-SEPM,T2.5,15	SNA	1
1-1	3	A0913	DA63-07032A	COVER-HINGE UPP L; HM10-SEPM,ABS,T2.5,156	SA	1
1-2	3	M0289	DA61-08395A	PLATE-COVER HINGE; HM10-SEPM,GI-SGCC,T0.4	SA	1
1-3	3	G0068	DA34-00043C	SWITCH REED-ASS'Y; 200VDC,1.5A,-	SA	1
2	2	A0243	DA97-12768D	ASSY COVER HINGE-UPP R; HM10-SEPM,ABS,T2.	SNA	1
2-1	3	A0244	DA63-07022A	COVER HINGE-UPP R; HM10-SEPM,ABS,NOBLE-GR	SA	1
2-2	3	G0068	DA34-00043C	SWITCH REED-ASS'Y; 200VDC,1.5A,-	SA	1
3	2	M0245	DA97-06158B	ASSY HINGE LOW-L; GUGGENHEIM,BLK	SA	1
3-1	3	A0947	DA61-04191A	HINGE-LOW L; GUGGENHEIM,SHP1,T4.5,-,-,-,-	SNA	1
3-2	3	G0556	DA66-00560B	CAM HINGE-RISER LOW L; GUGGENHEIM,NY-66,B	SA	1
3-3	3		6011-001442	BOLT-SOCKET; M8,L13.4,ZPC(BLK),SCM435,-	SNA	1
3-4	3	A0837	6021-001125	NUT-HEXAGON; 3,M8,ZPC(WHT),SWRCH10A	SNA	1
4	2	M0246	DA97-06157B	ASSY HINGE LOW-R; GUGGENHEIM,BLK	SA	1
4-1	3		DA61-04190A	HINGE-LOW R; GUGGENHEIM,SHP1,T4.5,-,-,-,-	SNA	1
4-2	3	G0555	DA66-00559A	CAM HINGE-RISER LOW R; GUGGENHEIM,NY-66,-	SA	1
4-3	3		6011-001442	BOLT-SOCKET; M8,L13.4,ZPC(BLK),SCM435,-	SNA	1
4-5	3	A0837	6021-001125	NUT-HEXAGON; 3,M8,ZPC(WHT),SWRCH10A	SNA	1
5	2	G0520	DA61-06104B	BRACKET HINGE-LOW; HM10,AL,43.5,55.4	SA	2
6	3	A0577	DA61-00805F	FOOT-FRONT; REF-ALL,PP+MSWR10,BLACK,PP_S	SA	2
7	2	G0577	DA97-12757A	ASSY COVER LEG-FRONT; HM10-SEPM,89.3,910.	SA	1
7-1	3	A0807	DA63-07058A	COVER LEG-FRONT; HM10-SEPM,PP,W910.9,L89.	SNA	1
8	3	G0580	DA97-12818A	ASSY CHASSIS-COMP SUB; HM10,IN_DOOR	SA	1
8-1	3	M0146	DA61-01920A	CASTER-RIVET; (ZPC2),MSWR10,OD8.0,L58	SA	2
8-2	3	A0527	DA61-04703A	CASTER-REAR; AW-PJT,PP,-,35,NTR,35,PP+TPE	SA	2
9	2	A1100	DA97-04045A	ASSY TUBE-DRAIN; ET-PJT,SOFT-PVC	SA	2
9-1	3	G0070	DA62-01268A	TUBE-PVC; A-TOP,SF-PVC,T0.7,OD19.4,L215,-	SA	2
9-2	3	G0202	DA63-00951C	GROMMET-DRAIN HOSE; V2-PJT,NBR,BLACK	SA	2
10	3	A0564	DA60-20008A	BOLT-HEX; S25C,M6,L43.6,WHITE,ZPC	SA	4

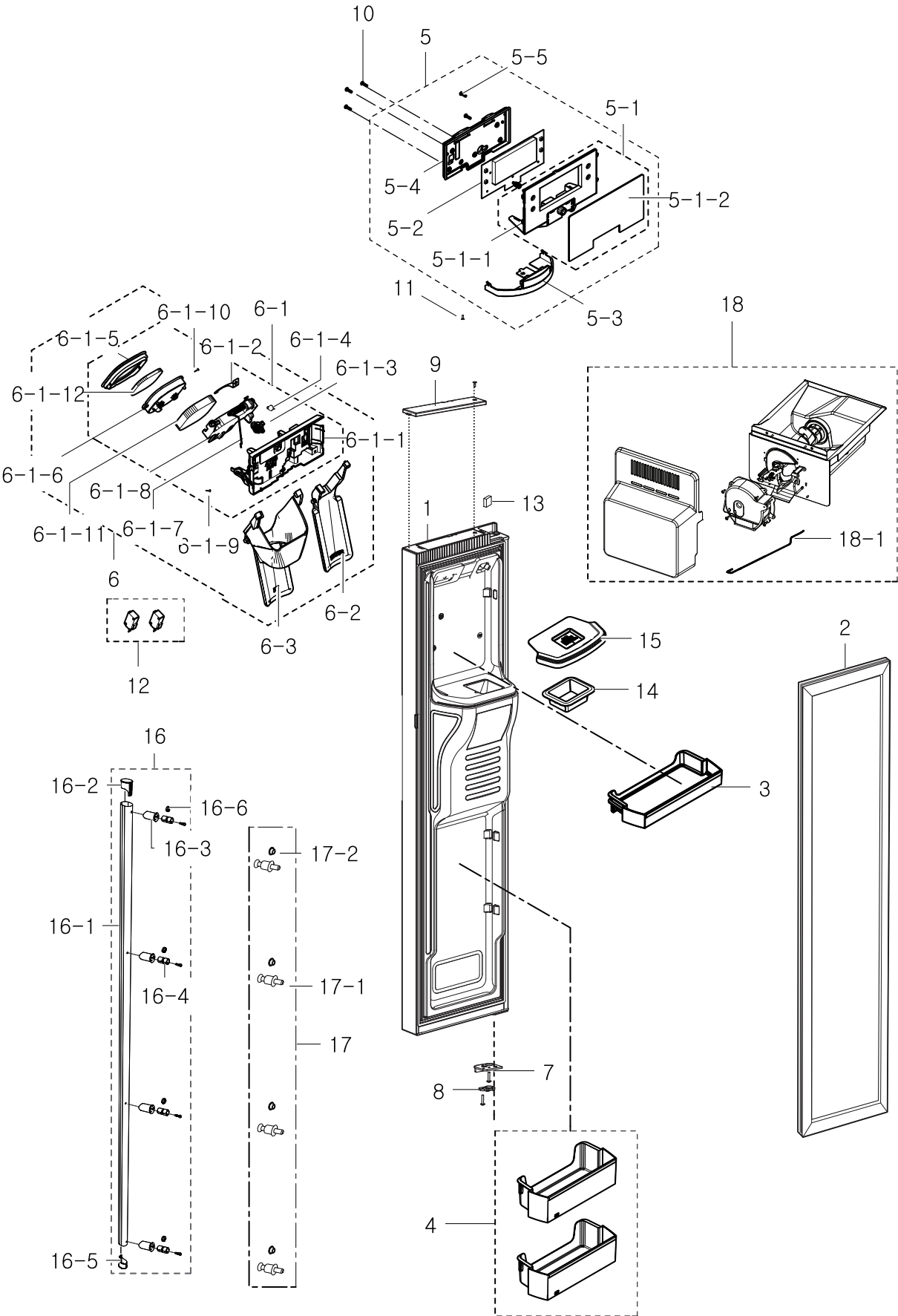
No.	Lvl.	Loc.	Material Code	Description & Specification	SNA	Qty.
11	2	Z1180	ENV4A5GL2J/AK1	COMPRESSOR,BLDC IPM,15.32CC,220-240V,FAN; COMPRESSOR,BLDC IPM,15.32CC,220-240V,FAN		1
12	2	G0071	DA62-02614P	DRYER-SINGLE; HAEMIL_10,C1220T,OD18.7,L11	SA	1
13	3	A0575	DA34-00004B	RELAY PROTECTOR O/L; 4TM308RFBYY-82,BK190	SA	1
14	3	Z1112	DA63-02617A	GROMMET COMP; USP05,EPDM,OD27.0,BLACK	SA	4
15	2	M0076	DA97-12759A	ASSY COVER COMP; HM10-SEPM,SGCC,T0.3	SA	1
15-1	3	Z1131	DA63-07052A	COVER COMP; HM10-SEPM,GI-SGCC,T0.3,W814,H	SNA	1
16	2	A0564	6011-001656	BOLT-HEX; HWH,M6,L16,ZPC(WHT),SWCH22,MACH	SA	6
17	2		DA97-12874A	ASSY PIPE-CONNECT; HERMES PJT	SA	1
17-1	3	M0334	DA63-40171D	GROMMET-SUCT PIPE B; RAIL L20,NR,ID5.5,OD	SA	1
18	2	G0089	DA63-07020A	COVER PCB-PANEL; HM10-SEPM,GI-SGCC,T0.4,W	SA	1
19	2	A0927	DA61-08393A	CASE PCB-PANEL; HM10-SEPM,ABS,NTR,VE-0858	SA	1
20	2	A0952	DA92-00406D	ASSY PCB MAIN; 13V, 5V,LED DISPLAY,HM12-P	SNA	1
21	2	A0749	DA97-12869A	ASSY TRAY-DRAIN WATER; HM12,W242.4,L322.4	SA	1
21-1	3	M0116	DA97-12842A	ASSY SUPPORT-CIRCUIT MOTOR; HM12,160mm FA	SA	1
21-1-1	4	A0908	DA61-08428A	BRACKET-CIRCUIT MOTOR; HM12,ABS,GRAY,ABS_	SA	1
21-1-2	4		DA31-00305C	MOTOR BLDC-CIRCUIT; DRCP8020LA,1120+-6%,D	SA	1
21-1-3	4	A0218	DA63-07065A	GROMMET-MOTOR; HM12,NBR,BLACK	SA	1
21-1-4	4	A0907	DA61-08427A	SUPPORT-CIRCUIT MOTOR; HM12,ABS,ABS_S,NTR	SA	1
21-1-5	4	G0412	6002-000213	SCREW-TAPPING; TH,+,1,M4,L12,ZPC(WHT),SWR	SNA	2
21-1-6	4	A0768	DA61-20128A	SPRING ETC-FAN; STS304,PI8.8,ID7.8,OD9.8,	SNA	1
21-1-7	4	A0769	DA31-00320A	FAN; HM12,ABS+GLASSFIBER,GR-4010/NTR	SA	1
21-2	3	M0349	DA97-03962F	ASSY PIPE-SPIRAL COND; HM12	SA	1
21-2-1	4	M0181	DA63-40128A	GROMMET-SUB COND; -,NBR,-,-,-,-,-,DARK-	SA	2
21-3	3	T0035	6009-001252	SCREW-SPECIAL; PH,+, -,M4.0,L20(12),ZPC(WH	SNA	4
22	2	A0273	DA39-10115D	CBF-POWER CORD; UCP-2,250V,10/16A,L2100,-	SA	1

Exploded Views and Parts List

No.	Lvl.	Loc.	Material Code	Description & Specification	SNA	Qty.
23	2	M0286	DA61-04188B	HINGE-UPP L; GUGGENHEIM(EXP),SHP1,T3.0,-,	SA	1
24	2	A0813	DA61-04189B	HINGE-UPP R; GUGGENHEIM(EXP),SHP1,T3.0,-,	SA	1
25	2	M0309	DA92-00215A	ASSY PCB SUB INVERTER; 15,5V,Heamil 11,ES	SA	1
26	2	G0412	6002-000470	SCREW-TAPPING; TH,+ ,NO,1,M4,L10,ZPC(WHT),	SNA	5
27	2	T0093	DA60-00258B	FITTING-TUBE; TUBE FITTING A,PP,31.8,1/4'	SA	1
28	2		DA67-03471A	CAP-NUT; HM12,SILICON,14,BLUE	SNA	1
29	2	M0315	DA97-07827J	ASSY VALVE WATER; HM10,NO FLOW SENSOR, 22	SA	1
29-1	3		DA61-05859A	BRACKET-WATER VALVE; HM10,GI-SGCC,T1.6,FL	SNA	1
29-2	3	G0527	DA62-02291E	VALVE WATER; HM10-INDOOR,POM,1.0~8.0K,GRA	SA	1
30	2	M0209	DA60-10123E	SCREW-HEX; HH,-,-,-,M6,L19,ZPC(WHT),SWRCH	SNA	6
31	2	M0489	DA27-00041B	COIL FILTER; SSLF-203AF1,14.0mH,60*82mm,B	SA	1
32	3	Z1032	DA63-01866A	COVER RELAY; NORYL,T2.0,SSEC,BLACK,HOOK	SA	1
33	3	M0334	DA63-40171D	GROMMET-SUCT PIPE B; RAIL L20,NR,ID5.5,OD	SA	1
34	2	A0562	DA39-20389L	WIRE HARNESS-EARTH; TMF/LMF,AWG #18	SA	1
35	3	M0145	DA61-04702A	CASTER-FRONT; AW-PJT,PP,-,35,NTR,35,PP+TP	SA	1
36	3	M0146	DA61-01920A	CASTER-RIVET; (ZPC2),MSWR10,OD8.0,L58	SA	2
37	3	M0296	DA64-02472A	TRIM-BLADE; HERMES-PJT,PVC,-,-,L375.2,NAT	SA	1

4. Freezer Door

Exploded View



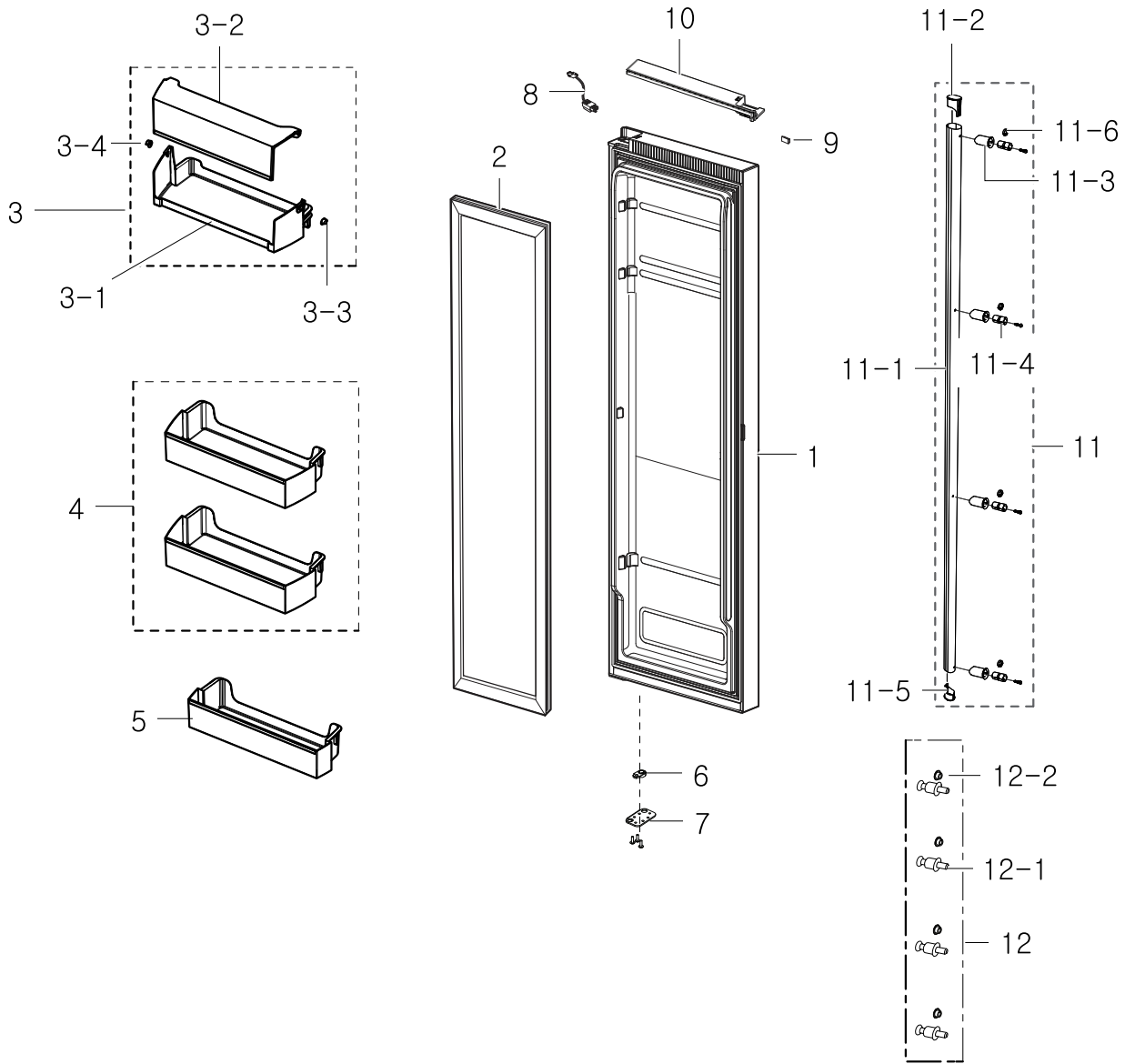
Parts List

No.	Lvl.	Loc.	Material Code	Description & Specification	SNA	Qty.
1	2	A0051	DA91-03832B	ASSY DOOR FOAM FRE; RS757*/RS756*,ALF,R,V	SA	1
2	2	G0573	DA97-12398F	ASSY-GASKET DOOR; FRE, HM10,GRAY,L1587,W3	SA	1
3	2		DA63-07069A	GUARD-FRE TOP; HM12,GPPS,T2.5,288.1,128.8	SA	1
4	2	M0365	DA63-07068A	GUARD-FRE LOW; HM12,GPPS,T2.5,288.1,123.3	SNA	2
5	2	G0282	DA97-12819A	ASSY COVER DISP; HM12,DISPENSER, EXP	SA	1
5-1	3		DA97-12811A	ASSY COVER DISP-SUB; HM12,ACRYL+ABS,ULTRA	SA	1
5-1-1	4	M0027	DA63-07086A	COVER DISPENSER; HM12,ABS,Ebony Black	SNA	1
5-1-2	4		DA64-04247B	WINDOW-COVER DISPENSER; HM12,ACRYL,T3.0,M	SNA	1
5-2	3	G0069	DA92-00393A	ASSY PCB KIT LED; BLUE LED TOUCH*5,DISPEN	SA	1
5-3	3	G0547	DA64-02982C	BUTTON-DISPENSER; HM09,ABS,NOBLE GRAY,VER	SA	1
5-4	3	G0540	DA63-05058B	COVER-PBA PANEL DISPENSER; HM10,HIPS,NTR	SA	1
5-5	3	M0210	6003-000333	SCREW-TAPTYPE; RH,+,-,2S,M3,L10,ZPC(WHT),	SNA	4
6	2		DA97-12776A	ASSY COVER-PCB PANEL REAR; HM10,IN_DOOR	SNA	1
6-1	3	G0581	DA97-12836A	ASSY COVER-PCB PANEL REAR SUB; HM10,IN_DO	SA	1
6-1-1	4	G0532	DA63-03259C	COVER PCB-PANEL REAR; A-TOP 06,ABS(HG-076	SA	1
6-1-2	4	G0518	DA61-01616A	SPRING ETC-LEVER DISP WATER; AD,STS304,-,	SA	1
6-1-3	4		DA61-01868B	BRACKET-OIL DAMPER; ABS,AD,-,-,-,NTR,-	SNA	1
6-1-4	4		DA61-01869A	OIL DAMPER; AD,POM,-,120g/Cm,-,OD15,-,-	SNA	1
6-1-5	4	G0530	DA63-01972A	GASKET-COVER ICE ROUTE; AD,SILICON,T1.5,-	SA	1
6-1-6	4	G0529	DA63-01971B	COVER-ICE ROUTE B; AD,ABS,-,-,-,-,NATUR	SA	1
6-1-7	4	M0216	DA61-01651A	SPRING ETC-COVER ICE ROUTE; AD,STS304,1.0	SNA	1
6-1-8	4	G0528	DA63-01970A	COVER-ICE ROUTE A; AD,ABS,T2.5,-,-,-,-,BL	SA	1
6-1-9	4	G0412	6002-000630	SCREW-TAPPING; PH,+,-,NO,2S,M3,L8,ZPC(WHT),	SA	3
6-1-10	4	G0412	6002-000473	SCREW-TAPPING; TH,+,-,NO,1,M4,L14,PASS,STS3	SA	1
6-1-11	4	G0524	DA62-00058E	SEAL-COVER ICE,ROUTE; AD,FOAM-LEX,WHITE,T	SA	1

No.	Lvl.	Loc.	Material Code	Description & Specification	SNA	Qty.
6-1-12	4	G0588	DA62-00058F	SEAL-COVER ICE,ROUTE; AD,FOAM-LEX,WHITE,T	SA	1
6-2	3	G0560	DA66-00959A	LEVER-DISPENSER WATER; HM10-SEPM,SAN,NTR	SA	1
6-3	3	G0559	DA66-00958A	LEVER-DISPENSER ICE; HM10-SEPM,SAN,NTR	SA	1
7	5	M0221	DA61-04195A	STOPPER-DOOR L; GUGGENHEIM,SHP1,T3.0,-,-	SA	1
8	5	M0265	DA66-00558B	CAM HINGE-RISER UPP L; POLARIS,NY-66,BLAC	SA	1
9	5	M0060	DA63-04341G	COVER-CAP DOOR FRE; GUGGENHEIM,HIPS,W61.3	SA	1
10	2	G0412	6002-000473	SCREW-TAPPING; TH,+,NO,1,M4,L14,PASS,STS3	SA	3
11	2	G0412	6002-001122	SCREW-TAPPING; FH,+,NO,1,M4,L14,ZPC(WHT),	SA	1
12	2	M0225	DA34-00011B	SWITCH MICRO; -,,-,-,250V,-,15A,-,-,-,-	SA	2
13	5	A0534	DA61-03769A	MAGNET-A; HERMES,-,5x7x18,-,-,1200Gauss	SNA	1
14	2	M0139	DA67-03540A	CAP-CHUTE ICE; HM12,ABS,COOL-WHITE,HM12 S	SA	1
15	2		DA63-07278A	GUARD FRE-SUB; HM 12,PP,COOL WHITE	SA	1
16	2		DA97-05074Z	ASSY-HANDLE BAR FRE; HERMES-PJT,-,-,MH/RS	SA	1
16-1	3	A0556	DA64-02442C	HANDLE-BAR; HERMES,AL,-,-,1633,-,INOX,-	SA	1
16-2	3	M0062	DA67-01913A	CAP-HANDLE; HERMES,ABS,-,W20.8,L37.3,NEO	SNA	1
16-3	3	A0819	DA67-02009A	CAP-SUPT HANDLE; HERMES-PJT,ABS,-,-,-,MAN	SNA	4
16-4	3		DA61-03726A	SUPPORT-HANDLE; HERMES,NY66,-,-,-,NTR,-	SA	4
16-5	3	M0062	DA67-01913B	CAP-HANDLE; HERMES,ABS,-,W20.8,L37.3,SILV	SNA	1
16-6	3		DA61-03636A	STOPPER-HANDLE; CULLINAN,SK5,-,-,-,-	SA	4
17	2		DA97-05529C	ASSY-BRACKET HANDLE; HREMES-PJT,SWCH10A,-	SA	4
17-1	3		DA61-03725B	BRACKET-HANDLE; HERMES,SWCH10A,-,-,L31,-	SA	4
17-2	3		DA63-03840A	GROMMET-HANDLE; HERMES,SILICON,T1,-,-,-,-	SA	4
18	2		DA97-05081G	ASSY-TRAY ICE BUCKET; HERMES-PJT,MSWR10	SA	1
18-1	3	M0193	DA66-00388A	LEVER-CUBE; ET-VE,MSWR10,-,-,-,-,-	SA	1

5. Fridge Door

Exploded View



Parts List

No.	Lvl.	Loc.	Material Code	Description & Specification	SNA	Qty.
1	2		DA91-03843G	ASSY DOOR-FOAM REF; RS756*/RS752*,ALF,V,L	SA	1
2	2	G0574	DA97-12398G	ASSY-GASKET DOOR; REF,HM10,GRAY,L1587,W46	SA	1
3	2	M0094	DA97-12780B	ASSY GUARD-DAIRY; HM12,GPPS,NTR	SA	1
3-1	3	A0155	DA63-07063A	GUARD-DAIRY; HM12,GPPS,T2.5,423.3,113.6,T	SA	1
3-2	3	A0660	DA63-07070B	COVER-GUARD DAIRY; HM12-SEPM,GPPS,T2.5,W4	SA	1
3-3	3		DA67-02920A	CAP-HINGE DAIRY R; POLARIS,POM,NTR	SA	1

No.	Lvl.	Loc.	Material Code	Description & Specification	SNA	Qty.
3-4	3		DA67-02921A	CAP-HINGE DAIRY L; POLARIS,POM,NTR	SA	1
4	2		DA63-07067A	GUARD-REF TOP; HM12,GPPS,T2.5,416.6,172.7	SA	2
5	2	M0369	DA63-07062A	GUARD-REF LOW; HM12,GPPS,T2.5,416.6,128.3	SNA	1
6	5	G0554	DA66-00557A	CAM HINGE-RISER UPP R; GUGGENHEIM,NY-66,-	SA	1
7	5	M0222	DA61-04196A	STOPPER-DOOR R; GUGGENHEIM,SHP1,T3.0,-,-	SA	1
8	5	A0063	DA96-00427A	ASSY W/HARNESS-DOOR REF; Guggenheim,100~2	SNA	1
9	5	A0534	DA61-03769A	MAGNET-A; HERMES,-,5x7x18,-,-,1200Gauss	SNA	1
10	4		DA97-12789D	ASSY CAP DOOR REF-UPP; HM10-SEPM,T2.5,W76	SA	1
11	2		DA97-05073Z	ASSY-HANDLE BAR REF; HERMES-PJT,-,-,MH/RS	SA	1
11-1	3	A0556	DA64-02442C	HANDLE-BAR; HERMES,AL,-,-,1633,-,INOX,-	SA	1
11-2	3	M0062	DA67-01913A	CAP-HANDLE; HERMES,ABS,-,W20.8,L37.3,NEO	SNA	1
11-3	3	A0819	DA67-02009A	CAP-SUPT HANDLE; HERMES-PJT,ABS,-,-,MAN	SNA	4
11-4	3		DA61-03726A	SUPPORT-HANDLE; HERMES,NY66,-,-,NTR,-	SA	4
11-5	3	M0062	DA67-01913B	CAP-HANDLE; HERMES,ABS,-,W20.8,L37.3,SILV	SNA	1
11-6	3		DA61-03636A	STOPPER-HANDLE; CULLINAN,SK5,-,-,-,-	SA	4
12	2		DA97-05529C	ASSY-BRACKET HANDLE; HERMES-PJT,SWCH10A,-	SA	4
12-1	3		DA61-03725B	BRACKET-HANDLE; HERMES,SWCH10A,-,-,L31,-	SA	4
12-2	3		DA63-03840A	GROMMET-HANDLE; HERMES,SILICON,T1,-,-,-,-	SA	4

6. Other

Exploded View

No	Description	No	Description
1	HEATER-WATER PIPE		
2	GROMMET-WATER PIPE FILL IN		
3	FIXER-VALVE WATER B		
4	ASSY-INSTALL FILTER		
5	PIPE-WATER LINE		
6	CLAMP		
7	WRENCH-SPANNER		
8	SCREW-SPECIAL		
9	SCREW-TAPPING		
10	RUBBER-CAP HOSE		
11	INLAY-DISPLAY		
12	PIPE-CONNECT DISC,B		

Parts List

No.	Lvl.	Loc.	Material Code	Description & Specification	SNA	Qty.
1	3	Z1218	DA47-00035P	HEATER-WATER PIPE; -,HERMES-PJT,-,10W,-,2	SA	1
2	3		DA63-03629A	GROMMET-WATER PIPE FILL IN; HERMES,SILICO	SA	1
3	3	M0278	DA71-20208A	FIXER-VALVE WATER B; SR-S7180,NY-6,OD6.1,	SA	1
4	2	A0684	DA97-05926U	ASSY-INSTALL FILTER; HM	SA	1
5	3	G0525	DA62-00159C	PIPE-WATER LINE; ZIPEL,LLDPE,ID4.30,OD6.3	SA	1
6	3	G0589	DA65-20110B	CLAMP; -,NY-66,-,-,DN-5N,PI8.0	SA	8
7	3	Z1222	DA80-00002F	WRENCH-SPANNER; AW3,SM45C,Zn PLATING	SA	1
8	3	T0036	DA60-00001B	SCREW-SPECIAL; HEX,-,-,-,L8.3,PASS,STS304	SA	3
9	2	G0412	6006-001170	SCREW-TAPPING; TH,+,WT,TC,M4,L10,ZPC(WHT)	SA	4
10	5	M0208	DA73-00211A	RUBBER-CAP HOSE; i4-PJT,SILICON,GRAY	SA	1
11	3	A0566	DA64-04242A	INLAY-DISPLAY; HM12-PJT,PET,T0.1,W134,L63	SA	1
12	2	A0523	DA73-10190U	PIPE-CONNECT DISC,B; TD-PJT,C1220-T,-,6.3	SA	1