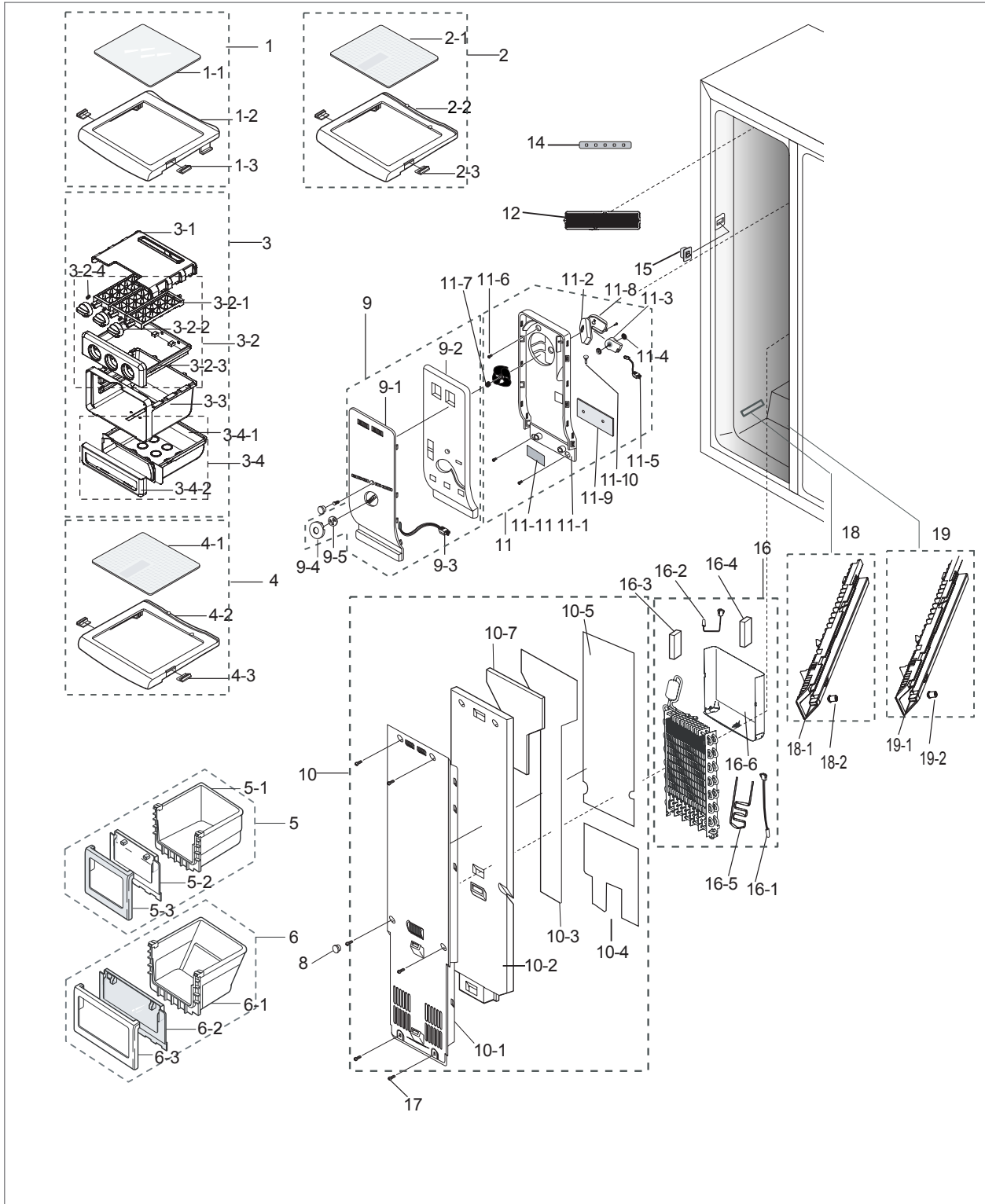


EXPLODED VIEW PART LIST

Freezer



EXPLODED VIEW PART LIST

• Parts List of Freezer

NO	CODE NO	PART NAME	Specification	Quantity	SA/SNA	SVC NO
1	DA97-00124C	ASSY-SHELF FRE UPP	N07,WITHOUT SILK-SCRE	1	SA	A0964
1-1	DA64-00554N	GLASS-FRE,UPP	N07,GLASS,T3.2,W270.5,L252	1	SNA	0
1-2	DA67-00644B	SHELF FRE-UPP	N-PJT,HIPS,-,-,-,-,-	1	SNA	Z1184
1-3	DA64-00090A	TRIM-SHELF	LDPE,-,T1.0	2	SNA	0
2	DA97-04059B	ASSY SHELF FRE-MID	N07,WITHOUT SILK-SCRE	1	SA	A0964
2-1	DA64-00554P	GLASS-FRE,LOW	N07,GLASS,T3.2,W280.5,L289	2	SNA	0
2-2	DA67-01441A	SHELF FRE-MID	N06,SSEC,HIPS,-,-,-,COOL W	1	SNA	Z1185
2-3	DA64-00090A	TRIM-SHELF	LDPE,-,T1.0	2	SNA	0
3	DA97-04060B	ASSY-TWIST ICE MAKER	N07-PJT,SSEC,-	1	SA	A0995
3-1	DA63-03065B	COVER-TRAY ICE	N07-PJT,SSEC,GPPS,-,-,-,-	1	SA	M0431
3-2	DA97-04062A	ASSY TRAY-ICE	N06-PJT,SSEC,-,-,-,COOL WH	1	SA	A0107
3-2-1	DA63-03066A	TRAY ICE	N06,SSEC,PP,-,-,-,-,COOL WHT,-	3	SA	A0120
3-2-2	DA64-01817A	KNOB-TRAY ICE	N06,SSEC,HIPS,COOL WHT	3	SNA	A0715
3-2-3	DA61-02780B	FIXER TRAY ICE	N06,2007GVE,HIPS,W91527	1	SNA	A0113
3-2-4	DA61-02050A	SPRING ETC-TRAY ICE	-,STS304,1,ID14,OD16	3	SNA	A0719
3-3	DA61-02785A	SUPPORT-TRAY ICE	N06,SSEC,HIPS,COOL WHT	1	SNA	A0715
3-4	DA97-04061B	ASSY-ICE CUBE	N07-PJT,SSEC,-	1	SA	A0995
3-4-1	DA61-02779B	CASE-ICE CUBE	N07-PJT,SSEC,GPPS,-,-,-,16	1	SA	M0358
3-4-2	DA63-03064A	COVER-ICE CUBE	N06,SSEC,HIPS,COOL WHT	1	SA	A0715
4	DA97-01932K	ASSY SHELF FRE-LOW(ET)	N07,WITHOUT SILK-	2	SC	A0967
4-1	DA64-00554P	GLASS-FRE,LOW	N07,GLASS,T3.2,W280.5,L289	2	SNA	0
4-2	DA67-00146B	SHELF-FRE LOW(ET)	ET-PJT,HIPS,Cool-white	2	SNA	0
4-3	DA64-00090A	TRIM-SHELF	LDPE,-,T1.0	2	SNA	0
5	DA97-00425E	ASSY-CASE BASKET UPP	N-PJT,SSEC,07,-,BAS	1	SA	A0978
5-1	DA61-01785A	CASE-BASKET UP(ET)	ET-PJT,PP,Cool-white,	1	SNA	0
5-2	DA63-01065C	COVER-FRONT B	N07-PJT,SSEC,GPPS,-,-,-,-,	1	SNA	0
5-3	DA63-00170C	COVER-FRONT A(FRE)	ET-PJT,HIPS,Cool-whit	1	SNA	0
6	DA97-00424E	ASSY-CASE BASKET LOW	N-PJT,SSEC,07,BASIC	1	SA	A0977
6-1	DA61-01784A	CASE-BASKET LOW(ET)	ET-PJT,PP,Cool-white	1	SNA	0
6-2	DA63-01065C	COVER-FRONT B	N07-PJT,SSEC,GPPS,-,-,-,-,	1	SNA	0
6-3	DA63-00170C	COVER-FRONT A(FRE)	ET-PJT,HIPS,Cool-whit	1	SNA	0
8	DA67-30266K	CAP-SCREW	A-TOP,PP,SC-02740R,-,-,Cool-wh	8	SNA	A0270
9	DA97-00129B	ASSY COVER-DUCT REAR,FRE	N-PJT,BLDC,-,-,	1	SA	A0986
9-1	DA63-01085D	COVER DUCT-FRE	N07-PJT,SSEC,PP,-,-,-,-,-	1	SA	A0996
9-2	DA62-00169B	INSULATION-DUCT FRONT,FRE	N-PJT,SSEC,FOA	1	SNA	0
9-3	DA32-00024E	SENSOR TEMP	502AT,ES-PJT,SSEC,-,5V,-,-,R	1	SA	A1018
9-4	DA63-00798B	COVER-SENSOR,A	N-PJT,ABS,-,-,-,-,-,-,-	1	SNA	0
9-5	DA63-00799A	COVER-SENSOR,B	A-TOP,GPPS,-,-,-,-,-,NORM	1	SNA	0
10	DA97-07831A	ASSY COVER EVAP-FRONT	N08,2009GVE,ASSY	1	SA	A0661
10-1	DA32-00024C	SENSOR TEMP	-,N-PJT,SSEC,-,-,-,-,R-F DEF	1	SA	A1018
10-2	DA62-02254A	INSULATION-COVER EVAP FRONT	N08,2009GVE,	1	SNA	0
10-3	DA61-05399A	PLATE-INS EVAP	N08,2009GVE,HIPS,T1.0	1	SNA	0

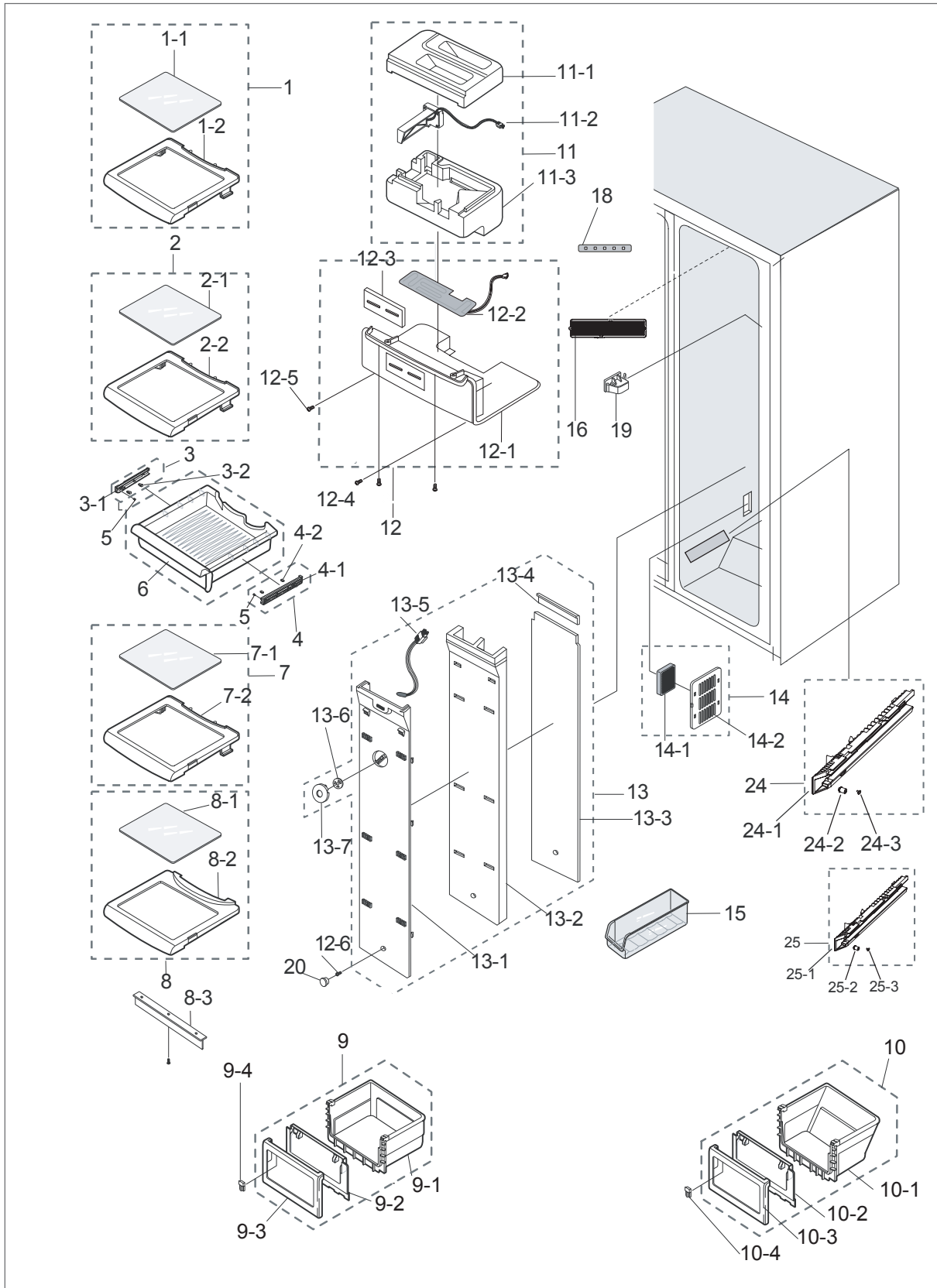
EXPLODED VIEW PART LIST

• Parts List of Freezer

NO	CODE NO	PART NAME	Specification	Quantity	SA/SNA	SVC NO
10-4	DA62-00332A	INSULATION EVAP-FRONT,LOW	n-PJT,FOAM-PS	1	SNA	0
10-5	DA62-02255A	SEAL-INS EVAP,FRONT	N08,2009GVE,FOAM-PE+	1	SNA	0
10-6	DA62-00260A	SEAL-INS EVAP FRONT,UPP	N-PJT,FOAM-PE,-	1	SNA	0
11	DA97-00129B	ASSY COVER-DUCT REAR,FRE	N-PJT,BLDC,-,-,-	1	SA	A0986
11-1	DA63-01086A	COVER-DUCT REAR FRE	N-PJT,PP,-,-,-,-,-	1	SNA	0
11-2	DA63-01809A	COVER MOTOR-BLDC	BLDC-NEW,PP,NTR,-,-,-,-	1	SA	M0449
11-3	DA31-00220A	MOTOR BLDC	12V,1550RPM,-,-,-,-,-,2.5W,ES	1	SA	A0998
11-4	DA63-01146A	GROMMET-MOTOR,REAR	A-TOP,NBR,-,-,-,ID6.5	2	SNA	M0179
11-5	DA39-00227B	WIRE HARNESS-SUB	N-PJT,SSEC,-,UL,-,-,-,-	1	SA	A0989
11-6	DA31-00052A	FAN PROPELLER	-,N-PJT,ABS,5 WING,φ145	1	SA	A0988
11-7	DA61-20128A	SPRING ETC-FAN	STS304,PI8.8,ID7.8,OD9.8,	1	SNA	A0768
11-8	6002-000213	SCREW-TAPPING	TH,+ ,1,M4,L12,ZPC(WHT),SWR	1	SNA	G0412
11-9	DA62-00189A	SEAL-DUCT REAR	N-PJT,FOAM-PE+AL,-,T3.0,W	1	SNA	0
11-10	DA63-40167A	GROMMET-COVER CHIL	SILICON,L16,WHITE	1	SNA	M2002
11-11	DA62-02295A	SEAL-COVER DUCT REAR	SBS,2009GVE,FOAM-PE	1	SNA	0
12	DA63-05460A	COVER LAMP	CC,ABS,W35,L145,transparent,P	2	SA	A0280
14	DA92-00150C	ASSY PCB KIT	DC12V,110*20mm,FR-4	2	SA	Z1144
15	DA34-10120D	SWITCH DOOR-F	-,slide,-,-,250V,-,0.5A,-,	1	SA	M0224
16	DA96-00578A	ASSY EVAP-FRE	N08,2009GVE,220V~240V,ASSY	1	SA	#N/A
16-1	DA47-10148V	THERMO FUSE	N08-PJT,250V,10A,110□,G4A	1	SA	A0685
16-2	DA32-00024E	SENSOR TEMP	502AT,ES-PJT,SSEC,-,5V,-,-,R	1	SA	A1018
16-3	DA62-02262A	INSULATION-EPS EVAP L	N08,2009GVE,FOAM-P	1	SNA	0
16-4	DA62-02263A	INSULATION-EPS EVAP R	N08,2009GVE,FOAM-P	1	SNA	0
16-5	DA47-00279D	HEATER-METAL SHEATH	N08-PJT,SSEC,STEEL,2	1	SA	A0921
16-6	DA61-05396A	PLATE-DRAIN	N08,2009GVE,T0.4,GALVA	1	SNA	A0754
17	6002-000213	SCREW-TAPPING	TH,+ ,1,M4,L12,ZPC(WHT),SWR	1	SNA	G0412
18	DA97-01247B	ASSY RAIL-LOW L(ET)	ET-PJT,Cool-white,SC	1	SA	A0979
18-1	DA61-60179B	RAIL-LOW L(ET)	ET-PJT,HIPS,-,-,-,COOL-WH	1	SNA	0
18-2	DA63-40256B	GROMMET-RAIL	T1.5,NY-66,-,-,-,-,-,WHT	1	SNA	0
19	DA97-01248B	ASSY RAIL-LOW R(ET)	ET-PJT,Cool-white,SC	1	SA	A0979
19-1	DA61-60180B	RAIL-LOW R(ET)	ET-PJT,HIPS,-,-,-,COOL-WH	1	SNA	0
19-2	DA63-40256B	GROMMET-RAIL	T1.5,NY-66,-,-,-,-,-,WHT	1	SNA	0

EXPLODED VIEW PART LIST

Fridge



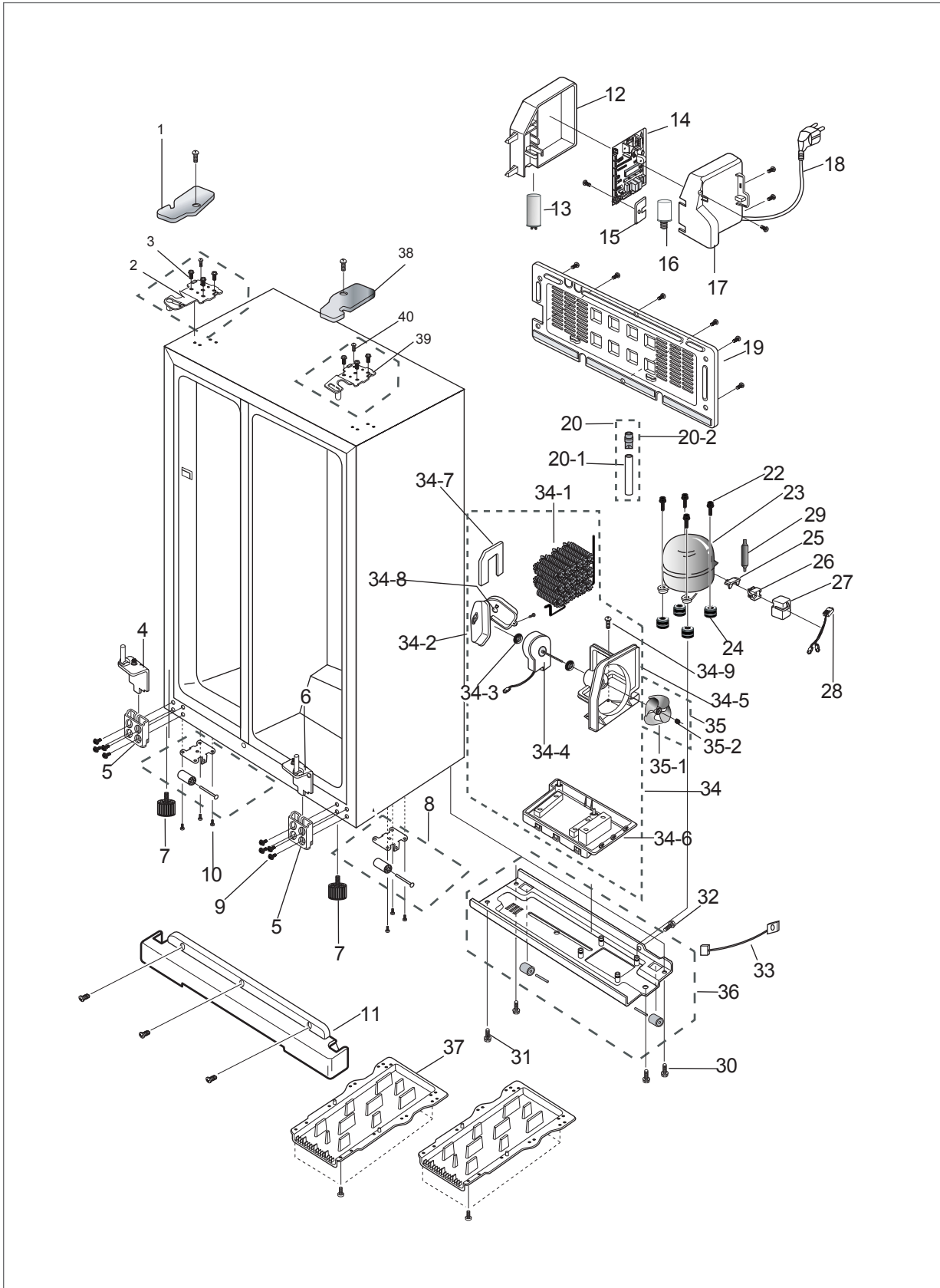
EXPLODED VIEW PART LIST

• Parts List of Fridge

NO	CODE NO	PART NAME	Specification	Quantity	SA/SNA	SVC NO
1	DA97-00126D	ASSY-SHELF REF UPP	N07,WITHOUT SILK-SCRE	3	SA	A0965
1-1	DA64-00554L	GLASS-REF,UPP	N07,GLASS,T3.2,W368,L344,W	3	SNA	0
1-2	DA67-00646C	SHELF REF-UPP	N-PJT,HIPS,-,-,-,-,-	3	SNA	A0188
2	DA97-00126D	ASSY-SHELF REF UPP	N07,WITHOUT SILK-SCRE	3	SA	A0965
2-1	DA64-00554L	GLASS-REF,UPP	N07,GLASS,T3.2,W368,L344,W	3	SNA	0
2-2	DA67-00646C	SHELF REF-UPP	N-PJT,HIPS,-,-,-,-,-	3	SNA	A0188
3	DA97-01247B	ASSY RAIL-LOW L(ET)	ET-PJT,Cool-white,SC	1	SA	A0979
3-1	DA61-60179B	RAIL-LOW L(ET)	ET-PJT,HIPS,-,-,-,-,COOL-WH	1	SNA	0
3-2	DA63-40256B	GROMMET-RAIL	T1.5,NY-66,-,-,-,-,-,WHT	1	SNA	0
4	DA97-01248B	ASSY RAIL-LOW R(ET)	ET-PJT,Cool-white,SC	1	SA	A0980
4-1	DA61-60180B	RAIL-LOW R(ET)	ET-PJT,HIPS,-,-,-,-,COOL-WH	1	SNA	0
4-2	DA63-40256B	GROMMET-RAIL	T1.5,NY-66,-,-,-,-,-,WHT	1	SNA	0
5	6002-000213	SCREW-TAPPING	TH,+1,M4,L12,ZPC(WHT),SWR	1	SNA	G0412
6	DA63-01074D	TRAY-REF	N07-PJT,SSEC,GPPS,-,W390,L393,-	1	SA	A0974
7	DA97-00126D	ASSY-SHELF REF UPP	N07,WITHOUT SILK-SCRE	3	SA	A0965
7-1	DA64-00554L	GLASS-REF,UPP	N07,GLASS,T3.2,W368,L344,W	3	SNA	0
7-2	DA67-00646C	SHELF REF-UPP	N-PJT,HIPS,-,-,-,-,-	3	SNA	A0188
8	DA97-00825E	ASSY-SHELF REF LOW	N07,WITHOUT SILK-SCRE	1	SA	A0966
8-1	DA64-00554M	GLASS-REF,LOW	N07,GLASS,T3.2,W375,L366.5	1	SNA	0
8-2	DA67-00768B	SHELF REF-LOW	N-PJT,HIPS,-,-,-,-,-	1	SNA	A0682
8-3	DA64-00672B	TRIM-SHELF REF LOW	N-PJT,ABS,COOL-WHT,-,	1	SNA	0
9	DA97-00118C	ASSY-CASE VEG UPP	N-PJT,SSEC,07,COOL-SEL	1	SA	A0976
9-1	DA61-00507B	CASE-VEG UPP	N-PJT,HIPP,-,SC-02740R,-,CO	1	SNA	A0206
9-2	DA63-01065C	COVER-FRONT B	N07-PJT,SSEC,GPPS,-,-,-,-,-	1	SNA	0
9-3	DA63-01064B	COVER-FRONT A	N-PJT,HIPS,COOL-WHITE,SC-0	1	SNA	0
9-4	DA64-00085B	KNOB-MOISTURE CONTROL(ET)	ET-PJT,HIPS,Co	1	SNA	0
10	DA97-00117C	ASSY-CASE VEG LOW	N-PJT,SSEC,07,COOL-SEL	1	SA	A0975
10-1	DA61-00508B	CASE-VEG LOW	N-PJT,HIPP,-,SC-02740R,-,CO	1	SNA	M0268
10-2	DA63-01065C	COVER-FRONT B	N07-PJT,SSEC,GPPS,-,-,-,-,-	1	SNA	0
10-3	DA63-01064B	COVER-FRONT A	N-PJT,HIPS,COOL-WHITE,SC-0	1	SNA	0
10-4	DA64-00085B	KNOB-MOISTURE CONTROL(ET)	ET-PJT,HIPS,Co	1	SNA	0
11	DA97-00355D	ASSY INS-DAMPER,REF	n-PJT,-,-,-,-,-,-,-	1	SA	A0990
11-1	DA62-00166A	INSULATION-DAMPER UPP	N-PJT,FOAM-PS,-,-,	1	SNA	0
11-2	DA31-00218A	MOTOR DC-DAMPER	-,-,-,DC 12V,Max 60mA,-,	1	SA	G0242
11-3	DA62-00167A	INSULATION-DAMPER LOW	N-PJT,FOAM-PS,-,-,	1	SNA	0
12	DA97-00154W	ASSY COVER DAMPER-REF	N-PJT,OUT-control,	1	SA	A0678
12-1	DA63-01635B	COVER-DAMPER REF	N-PJT,HIPS,COOL-WHITE,S	1	SA	0
12-2	DA47-00225A	HEATER-COVER DAMPER	-,-,N-PJT,SSEC,-,3W,-,	1	SA	A0991
12-3	DA62-00227A	INSULATION-DAMPER REF,SUB	N-PJT,FOAM-PS,	1	SNA	0
12-4	6002-000213	SCREW-TAPPING	TH,+1,M4,L12,ZPC(WHT),SWR	1	SNA	G0412
12-5	6002-000213	SCREW-TAPPING	TH,+1,M4,L12,ZPC(WHT),SWR	1	SNA	G0412
13	DA97-00120F	ASSY-COVER MULTI REF	N07-PJT,SSEC,-,-,-,-,-	1	SA	A0994

EXPLODED VIEW PART LIST

Cabinet



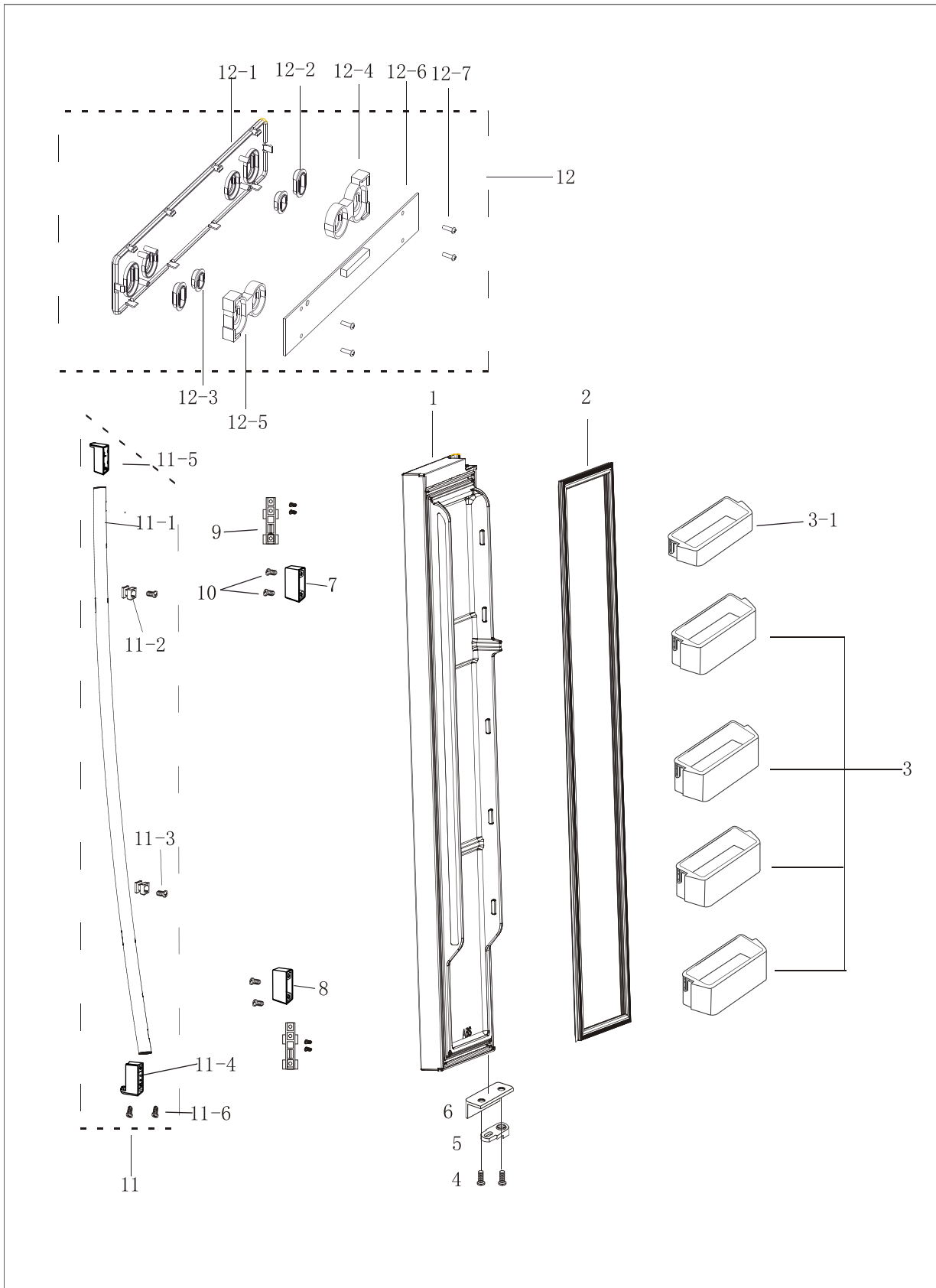
EXPLODED VIEW PART LIST

• Parts List of Cabinet

NO	CODE NO	PART NAME	Specification	Quantity	SA/SNA	SVC NO
1	DA63-05128C	COVER HINGE-UP,L	SBS,2009GVE,HIPS,Platin	1	SA	A0962
2	DA61-01874F	HINGE-UPP L	N-PJT,SSEC,10,SHP1,T3,ZPC,WH	1	SA	M0286
3	DA60-10124A	SCREW-HEX	HWH,-,-,M6,L16,ZPC(WHT,YEL),SW	4	SNA	T0072
4	DA97-01760L	ASSY HINGE LOW-L	N-PJT,SSEC,10,ZPC,WHT,1	1	SA	M0245
5	DA61-03151C	BRACKET HINGE-LOW	N07-PJT,2008GVE,AL	2	SNA	0
6	DA97-01763F	ASSY HINGE LOW-R	N-PJT,SSEC,10,ZPC,WHT,1	1	SA	M0246
7	DA61-30102A	FOOT-FRONT	SR-F5670,PP,-,YEL,T0.6,-,ZPC2	2	SNA	A0577
8	DA61-02514A	CASTER-FRONT	N-PJT,SSEC,PP,ID6.2,OD29.5,	2	SNA	M0145
9	6003-001435	SCREW-TAPTYPE	HWH,+,-,S,M5,L12.7,ZPC(WHT	1	SNA	M0210
10	6009-001252	SCREW-SPECIAL	PH,+,-,M4.0,L20(12),ZPC(WH	4	SNA	T0035
11	DA63-03407B	COVER LEG-FRONT	N07-PJT,SSEC,PP,H90,W85,	1	SA	A0807
12	DA61-00261F	CASE PCB-PANEL	2009,PL IMPROVE,ABS,5V,TC	1	SA	A0927
13	2501-001186	C-OIL	5uF,400V,BK,43x55mm,15mm	1	SNA	Z1002
14	DA41-00437G	ASSY PCB MAIN	N07-PJT,2008GVE,-,FR-1,W14	1	SA	A0952
15	DA61-06145A	FIXER-MAIN PCB	N07,RD-PVC,T1.5,NTR,LED	1	SNA	A0127
16	DA26-00032G	TRANS POWER	N-PJT,SSEC,230V,12.5/15V,0.5	1	SA	Z1149
17	DA63-05582A	COVER PCB-PANEL	2010.CHANGE LED,ABS,5V,T	1	SA	G0089
18	DA39-10115E	CBF-POWER CORD	ET-PJT,-,UCP-2,-,-,-,-,-,	1	SA	A0273
19	DA97-00136H	ASSY-COVER COMP	N-PJT,SSEC,AC,SGCC,T0.4	1	SA	A0963
20	DA97-00359A	ASSY TUBE-DRAIN	ET-PJT,-	1	SNA	A1100
20-1	DA62-20001R	TUBE PVC	V2-PJT,SF-PVC,T1.0,L218,ID18,GA	1	SNA	A1101
20-2	DA63-00951C	GROMMET-DRAIN HOSE	V2-PJT,NBR,BLACK	1	SNA	G0202
22	DA60-20008A	BOLT-HEX	S25C,M6,L42.6,WHITE,ZPC	4	SNA	A0564
23	MK4A5QR1U/SJ7	COMPRESSOR	RSCR,15.32CC,220-240V,STATIC	1	SA	0
24	DA63-02017A	GROMMET COMP	QUEEN,EPDM,BLACK	4	SA	Z1112
25	DA34-10003V	RELAY PROTECTOR O/L	4TM265RHBYY-53,ST9.4	1	SA	A0575
26	DA35-00103D	RELAY-PTC THERMISOR	PTHM330MD3,33ohm 38	1	SA	M0206
27	DA63-10352A	COVER-RELAY	N300X,T2.1,BLACK,HOOK (H11)	1	SA	G0211
28	DA39-00084G	WIRE HARNESS-COMP	N-PJT,SSEC,UL,220V	1	SA	A0035
29	DA62-01469H	DRYER	W07,CU,OD19.0,T0.46,L110	1	SA	A0669
30	6002-000213	SCREW-TAPPING	TH,+,-,M4,L12,ZPC(WHT),SWR	1	SNA	G0412
31	DA60-10124A	SCREW-HEX	HWH,-,-,M6,L16,ZPC(WHT,YEL),SW	4	SNA	T0072
32	6001-000715	SCREW-MACHINE	TH,+,-,M5,L16,ZPC(WHT),SWR	1	SNA	A0848
33	DA39-20389C	WIRE HARNESS-EARTH	PBT,HVSF,-,-,-,YELLOW	1	SA	A0562
34	DA97-01285P	ASSY TRAY-DRAIN WATER	N08-PJT,SSEC,2008G	1	SNA	A0749
34-1	DA97-06144C	ASSY PIPE-SIPRAL CONDENSER	N07-PJT,SSEC,	1	SA	A0999
34-2	DA63-00713A	COVER-MOTOR	OMEGA,PP,-,-,-,-,-,BLDC	1	SNA	A0765
34-3	DA63-01146A	GROMMET-MOTOR,REAR	A-TOP,NBR,-,-,-,ID6.5	2	SNA	M0179
34-4	DA31-00220A	MOTOR BLDC	12V,1550RPM,-,-,-,-,-,2.5W,ES	1	SA	A0998
34-5	DA61-00415C	SUPPORT-CIRCUITE MOTOR	A-TOP,2007GVE,ABS	1	SNA	0
34-6	DA66-00034A	TRAY-DRAIN WATER	-,PP,T2.0,-,-,-,-,-,	1	SA	A0531
34-7	DA62-01676A	SEAL-SUB CONDENSER	ES-PJT,SSEC,FOAM PE,-	1	SNA	0

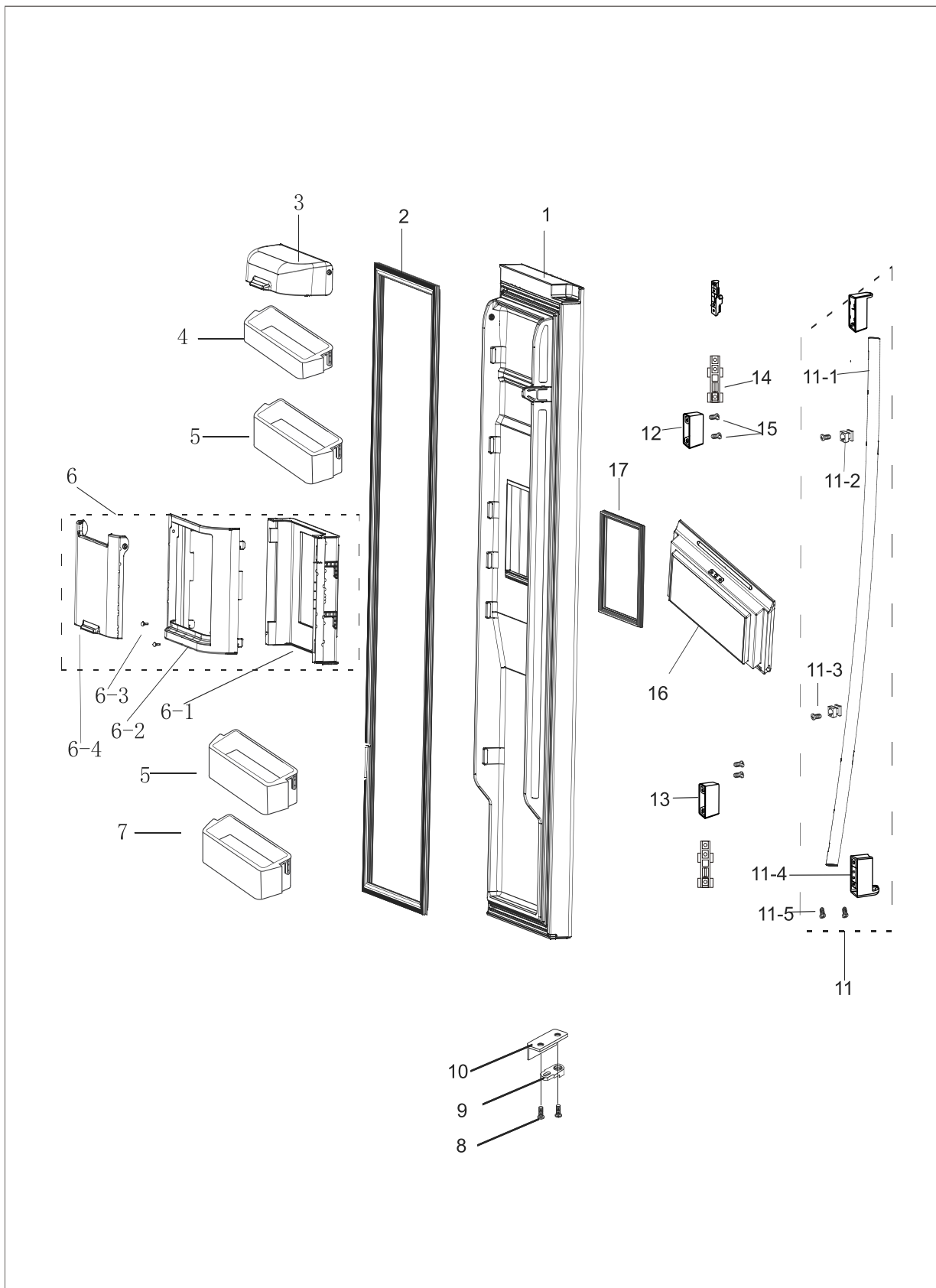
EXPLODED VIEW PART LIST

Freezer Door



EXPLODED VIEW PART LIST

Fridge Door



EXPLODED VIEW PART LIST

• Parts List of Fridge Door

NO	CODE NO	PART NAME	Specification	Quantity	SA/SNA	SVC NO
1	DA91-03558A	ASSY DOOR FOAM REF	RS20BR,TS,NLOCK,DA91-	1	SA	A0052
2	DA97-01800F	ASSY-GASKET DOOR REF	N-PJT,W420,H1533,-,	1	SA	A0535
3	DA63-03358D	COVER-GUARD DAIRY	N07-PJT,GPPS,ADD FILM	1	SA	A0660
4	DA63-03481A	GUARD-DAIRY	N07-PJT,SSEC,EXP,PP,T2.8,W15	1	SA	A0155
5	DA63-03482A	GUARD REF-UPP	N07-PJT,SSEC,EXP,PP,T2.8,W	2	SA	A0634
6	DA97-04787B	ASSY COVER-DOOR RECESS	N07-PJT,2007GVE,-	1	SA	A0149
6-1	DA61-03082A	CASE-DOOR RECESS IN	N07-PJT,SSEC,ABS,T2.	1	SNA	0
6-2	DA61-03095A	CASE-DOOR RECESS OUT	N07-PJT,SSEC,-,T2.5	1	SNA	0
6-3	DA63-40167A	GROMMET-COVER CHIL	SILICON,L16,WHITE	1	SNA	M2002
6-4	DA63-03366C	COVER DOOR-RECESS	N07-PJT,2007GVE,SSEC,G	1	SNA	A0150
7	DA63-03483A	GUARD REF-LOW	N07-PJT,SSEC,EXP,PP,T2.8,W	2	SA	A0635
8	6002-000213	SCREW-TAPPING	TH,+ ,1,M4,L12,ZPC(WHT),SWR	1	SNA	G0412
9	DA66-00344A	CAM-HINGE RISER LOW	USP05(ATOP,ET),NY-66	1	SNA	M0389
10	DA61-00776A	STOPPER DOOR	N-PJT,SHP1,T3.0,-,-,-,-	1	SA	A0640
11	DA97-07114K	ASSY HANDLE-BAR	N07,ABS,PLATINUM SILVER	1	SA	A0810
11-1	DA64-02040G	HANDLE BAR	N07-PJT,SSEC,EXP,ABS,-,-,-,-	1	SNA	A0265
11-2	DA63-02552A	GROMMET-FIXER HANDLE	A-TOP M/C,NY66,-,-,	2	SNA	0
11-3	6002-000213	SCREW-TAPPING	TH,+ ,1,M4,L12,ZPC(WHT),SWR	1	SNA	G0412
11-4	DA67-01559Q	CAP-HANDLE LOW	N07-PJT,SSEC,EXP,ABS,PLAT	1	SA	G0227
11-5	DA67-01560Q	CAP-HANDLE UPP	N07-PJT,ABS,PLATINUM SILV	1	SNA	G0226
12	DA61-03085Q	SUPPORT-HANDLE UPP	N07-PJT,SSEC,EXP,ABS,	1	SA	A0554
13	DA61-03084Q	SUPPORT-HANDLE LOW	N07-PJT,SSEC,EXP,ABS,	1	SA	A0555
14	6002-000213	SCREW-TAPPING	TH,+ ,1,M4,L12,ZPC(WHT),SWR	1	SNA	G0412
15	6002-000213	SCREW-TAPPING	TH,+ ,1,M4,L12,ZPC(WHT),SWR	1	SNA	G0412
16	DA97-04598H	ASSY HOME BAR	N07,2010GVE,SC-05014TP,PLA	1	SA	A0638
17	DA63-03351B	GASKET HOME BAR-OUT	N07-PJT,SSEC,PVC,GRA	1	SA	0