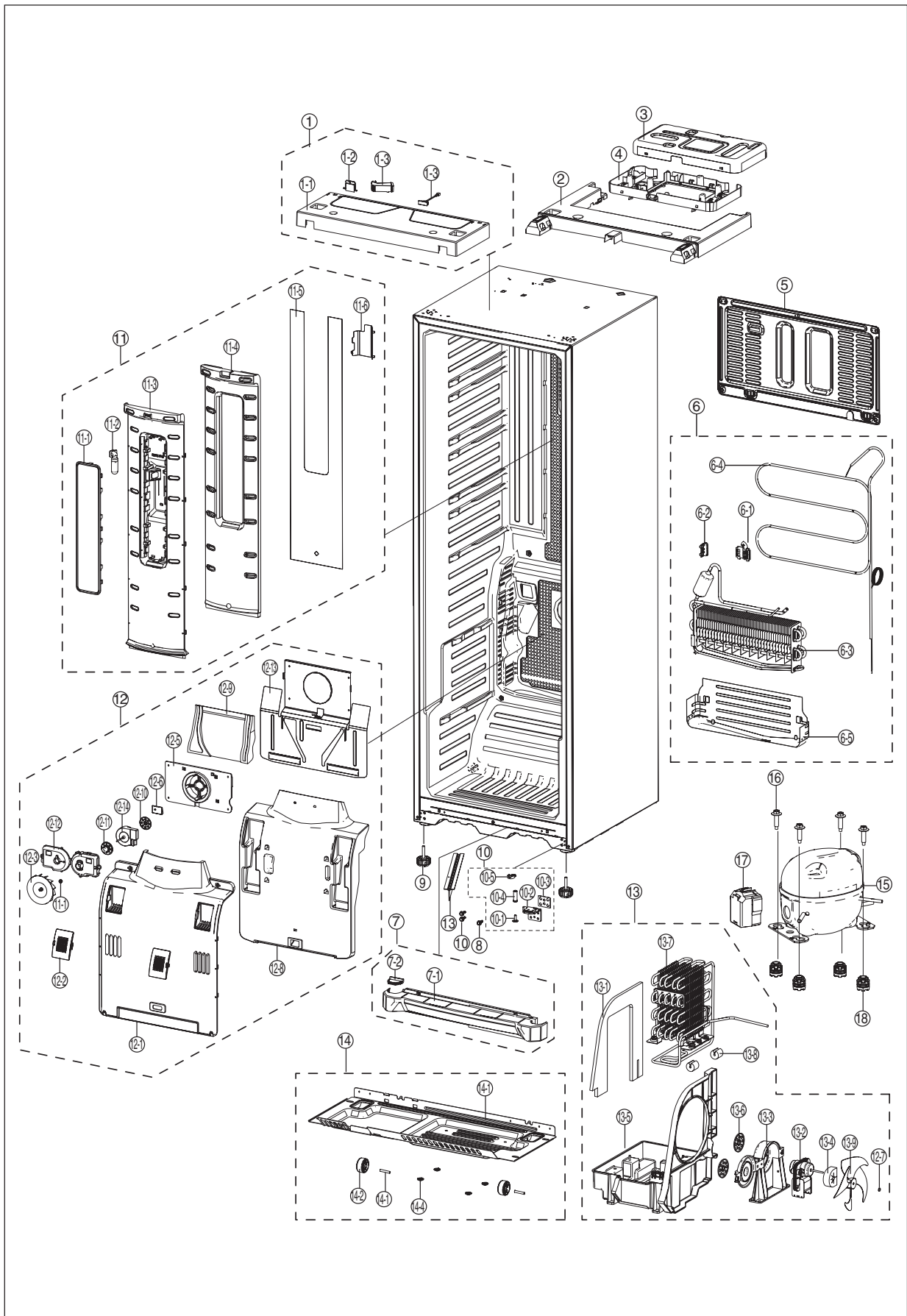


5. EXPLODED VIEW & PART LIST

5-1. RELATED PARTS OF THE ELECTRONIC / MECHANICAL FRIDGE.....	55
5-2. RELATED PARTS OF THE ELECTRONIC / MECHANICAL FRIDGE.....	58
5-3. RELATED PARTS OF THE MECHANICAL DOOR OF VICTORY HANDLE AND NEW HORIZONTAL HANDLE TYPE	60
5-4. HOME-BAR DOOR.....	63
5-5. WATER DISPENSER DOOR.....	65
5-6. PREMIUM	68

5. EXPLODED VIEW & PART LIST

5-1. Related Parts of the Electronic / Mechanical Fridge



5. EXPLODED VIEW & PART LIST

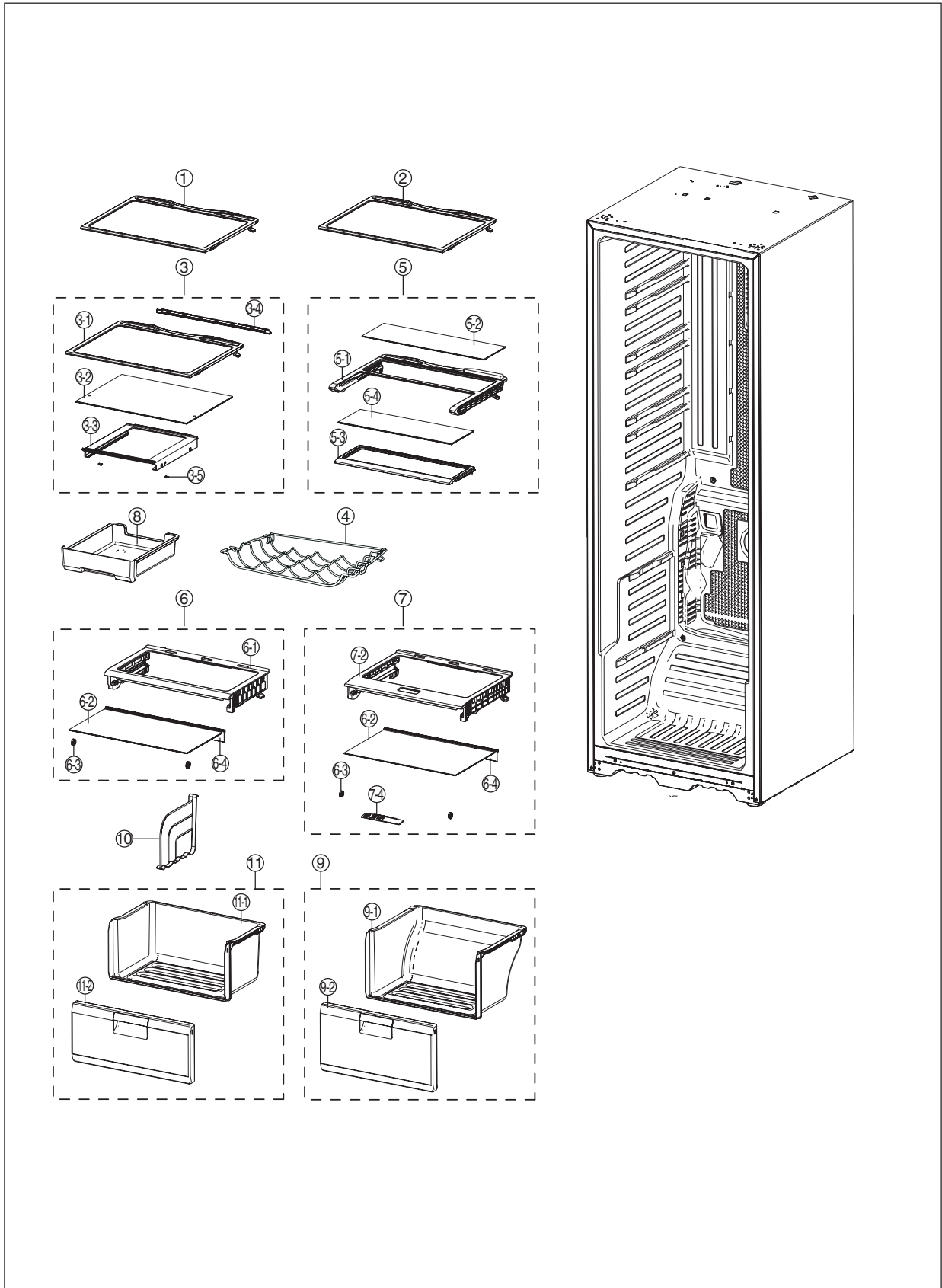
NO	CODE-NO	PART NAME	SPECIFICATION	Q'TY	SVC	REMARK
1	DA97-07640A	ASSY TOP-TABLE FRONT	TWIN,ABS,SNOW WHITE,SC-97527R	1	SA	NEW
1-1	DA64-02884A	TOP TABLE-FRONT	TWIN,ABS,SNOW WHITE,SC-97527R	1	SNA	NEW
1-2	DA67-02269A	CAP-TOP TABLE	TWIN,ABS,SNOW WHITE,SC-97527	1	SNA	NEW
1-3	DA63-04855A	COVER-WIRE HINGE L	TWIN-PJT,PP,T1.8,SNOW WHITE	1	SNA	NEW
1-4	DA34-00043A	SWITCH REED-ASS'Y		1	SA	
1-5	DA67-02226A	CAP-SPACE DOOR R	TWIN-PJT,ABS,T2.0,SNOW WHITE,HG-0760H	1	SNA	NEW
2	DA97-07641G	ASSY TOP-TABLE REAR	TWIN,ABS,SNOW WHITE,SC-97527R	1	SA	NEW
2-1	DA96-00285F	ASSY W/HARNESS-CABI		1	SNA	
2-2	DA64-02883A	TOP TABLE-REAR	TWIN,ABS,SNOW WHITE,SC-97527R	1	SNA	NEW
2-3	DA32-00011P	SENSOR TEMP-EXT		1	SNA	
3	DA63-04829A	COVER PCB-PANEL	TWIN-PJT,SBHG1,T0.4,-,-,-,-,-	1	SA	NEW
4	DA97-07464A	ASSY CASE-PCB PANEL	TWIN-PJT,-,-,-,-,ASSY	1	SA	NEW
4-1	2501-001186	C-OIL	5uF,400V,BK,43x55mm,15mm	1	SA	
4-2	6006-001083	SCREW-TAPPING	TH,+,PW,M4,L16,ZPC(WHT),SWRCH18A	1	SNA	
4-3	DA39-10115D	CBF-POWER CORD	UCP-2,250V,10/16A,L2100,VDE,300,3,1	1	SA	
4-4	DA27-00002A	COIL-NOISE FILTER	CORE-PJT,PP(V0),T3,W452.6,L219.6,NTR	1	SNA	
4-5	DA61-05059A	CASE PCB-PANEL[FULL ELEC]	TWIN-PJT,N-PP,-,-,-,NTR,-	1	SNA	NEW
5	DA97-07461A	ASSY COVER- COMP	TWIN-PJT,-,-,-,-,-,ASSY	1	SA	NEW
6	DA96-00569A	ASSY EVAP-FRE	TWIN-PJT,ASSY		SA	NEW
6-1	DA61-00603A	FIXER-SENSOR	-	1	SNA	
6-2	DA61-05160A	FIXER-FUSE	-	1	SNA	
6-3	DA59-00389A	EVAP FRE	-	1	SNA	
6-4	-	PIPE SUCTION	-	1	SNA	
6-5	DA61-05216A	PLATE DRAIN EVAP	TWIN-PJT,SAZCC,-,-,-,-,-	1	SNA	NEW
7	DA97-07462A	ASSY COVER-LEG FRONT	TWIN-PJT,PP,SNOW WHITE,ASSY	1	SNA	NEW
7-1	DA63-04830A	COVER LEG-FRONT	TWIN-PJT,PP,SNOW WHITE	1	SNA	NEW
7-2	DA67-02216A	CAP-HOLE HINGE LOW	TWIN-PJT,PP,SNOW WHITE	1	SNA	NEW
8	DA60-10123E	SCREW-HEX	HH,M6,L19,ZPC(WHT),SWRCH18A	6	SNA	
9	DA61-00805A	FOOT-FRONT	REF-ALL,PP,PI44,NTR,H65.8,BOLT	2	SNA	
10	DA97-07375A	ASSY HINGE LOW	TWIN-PJT,-,-,-,-,-	1	SA	NEW
10-1	6009-001548	SCREW-SPECIAL	NW	1	SNA	
10-2	DA61-05081A	HINGE-LOW	TWIN-PJT,SHP1,T4.0,-,-,-,-,-	1	SNA	NEW
10-3	DA63-04856A	SHIM HINGE-LOW	TWIN-PJT,HIPS,T1.0,-,-,WHITE,-	1	SNA	NEW
10-4	DA66-00662A	SHAFT HINGE LOW	TWIN-PJT,SWCH10A,-,-,-,-,ZPC(WHT)	1	SNA	NEW
10-5	DA66-00401A	CAP-RISER		1	SNA	
11	DA97-07393A	ASSY COVER MULTI-REF BULB	TWIN-35,BULB,-,-,-,-,-,-	1	SA	NEW
11-1	DA63-04846A	COVER LAMP-REF(BULB)	TWIN-PJT,PP,-,-,-,-,-,NTR,BULB TAPE	1	SNA	NEW
11-2	DA47-00265E	LAMP HOLDER	250VAC 75W	1	SNA	
11-3	DA63-04845A	COVER MULTI-REF	TWIN,RR82,PP,-,-,-,-,-,COOL WHITE,-	1	SNA	NEW
11-4	DA62-02115A	INSULATION-MULTI REF	TWIN-35,FOAM-PS,-,-,-,-,WHITE,-,-,-	1	SNA	NEW
11-5	DA61-05078A	PLATE-MULTI REAR REF	TWIN-35,HOMO-PP,T0.35,-,-,WHITE,-	1	SNA	NEW

5. EXPLODED VIEW & PART LIST

NO	CODE-NO	PART NAME	SPECIFICATION	Q'TY	SVC	REMARK
11-6	DA61-05071A	PLATE-LAMP REF	TWIN-PJT,GI,T.03,BULB TYPE	1	SNA	NEW
12	DA97-07385A	ASSY COVER EVAP-REF	TWIN-PJT,BLDC,-,-,-,-,-,220V~240V	1	SA	NEW
12-1	DA63-04847A	COVER EVAP-REF	TWIN-PJT,PP,-,-,-,-,-,COOL WHITE,-	1	SNA	NEW
12-2	DA63-02707A	COVER-PURIFIER		1	SNA	
12-3	DA31-00123A	FAN-BACKWARD	-,USP 05,ABS(HP-0760),-,2.0mmAq/0.33CMM (8.4	1	SNA	
12-4	DA31-00146E	MOTOR FAN-BLDC	DREP5020LB,BLDC Motor,0.268,-,3.21,-,2520,-,DC 12V,-,29dB,-	1	SA	
12-5	DA61-00417A	CASE-MOTOR	A-TOP,ABS	1	SNA	
12-6	DA61-03622A	BRACKET-FIXER HOUSING	HERMES,GALVANUM,T0.3,-,-,-,-	1	SNA	
12-7	DA61-20128A	SPRING ETC-FAN	-,STS304,PI7.8,-,OD1.0,-,-,-,-,-,FD	1	SNA	
12-8	DA62-02118A	INSULATION EVAP-FRONT REF	TWIN-PJT,FOAM-PS,-,-,-,-,WHITE,-,-,-	1	SNA	NEW
12-9	DA62-02119A	INSULATION EVAP-REAR REF	TWIN-PJT,FOAM-PS,-,-,-,-,WHITE,-,-,-	1	SNA	NEW
12-10	DA63-01146A	GROMMET-MOTOR,REAR	A-TOP,NBR,-,-,-,-,ID6.5,OD42,BLK,BLDC	1	SNA	
12-11	DA63-01808A	GROMMET-MOTOR,FRONT	BLDC,NBR,BLACK,-,-,-,-,-,H20	1	SNA	
12-12	DA63-01809A	COVER MOTOR-BLDC	BLDC-NEW,PP,NTR,-,-,-,-,-,BJ-730	1	SNA	
12-13	DA61-05072A	PLATE-EVAP REAR REF	TWIN-PJT,SAZCC,T0.3,-,-,-,-	1	SNA	NEW
13	DA64-02833A	TRIM-BLADE	TWIN-PJT,PVC,-,-,-,-,WHITE,HD PVC+LD PVC	1	SNA	NEW
13-1	DA62-02140A	SEAL-SUB CONDENSER	TWIN-PJT,FOAM-PE,BLACK,T5,-,-,-	1	SNA	NEW
13-2	DA31-00146B	MOTOR BLDC	D4.0,L9.0,AL	1	SA	
13-3	DA61-03653A	BRACKET-MOTOR	DRCP5030LA,1560,DC12V,230mA,2.7W,ATOP	1	SNA	
13-4	DA62-01297A	SEAL-SUPPORT MOTOR	TD-PJT,PP(BJ-730),NTR	1	SNA	
13-5	DA63-04832A	TRAY-DRAIN WATER	TWIN-PJT,PP,-,-,-,-,-,NTR,-	1	SNA	NEW
13-6	DA63-01146A	GROMMET-MOTOR REAR	TD-PJT,FOAM-PE,T25,W36,L30	2	SNA	
13-7	DA97-07417A	ASSY PIPE-SUB COND	TWIN-PJT,-	1	SNA	NEW
13-8	DA63-40171B	GROMMET-SUCT PIPE A		2	SNA	
13-9	DA31-20102C	FAN SIROCCO		1	SNA	
14	DA97-07465A	ASSY CHASSIS-COMP	TWIN-PJT,SBHG1,T1.0,-,-,-,-,ASSY	1	SA	NEW
14-1	DA60-90146A	PIN-CASTER	MSWR10,OD6.0,L40,ZPC2,SR-289-4	2	SNA	
14-2	DA61-40126B	CASTER-REAR	REF-ALL,PP,PI 44,NTR,W22	2	SNA	
14-3	DA64-02832A	CHASSIS COMP	TWIN-PJT,SBHG1,T1.0,-,-,-,-	1	SNA	NEW
14-4	DA61-01867A	BRACKET COMP		4	SNA	
15	MSS470QL1U/E01	COMPRESSOR[R]		1	SA	
15-1	DA35-00008U	O/L PROTECTOR	230V/50Hz (R)		SA	
15-2	DA35-00103D	ePTC			SA	
15	MSS151GL1U/E01	COMPRESSOR[G]		1	SA	
15-1	DA34-10004A	O/L PROTECTOR	220V~240V/50,60Hz (G)		SA	
15-2	DA35-00099A	SM-PTC			SA	
15	MSS143DS1U/E01	COMPRESSOR[D]		1	SA	
15-1	DA35-00008H	O/L PROTECTOR			SA	
15-2	DA35-00099J	SM-PTC			SA	
16	DA60-20008A	BOLT-HEX	S25C,M6,L42.6,WHITE,ZPC	4	SNA	
17	DA63-01866A	COVER RELAY	N300X,T2.0,W50,L60,BLACK,S-HOOK(H8.0)	1	SNA	
18	DA63-02017A	GROMMET COMP	QUEEN,EPDM,BLACK	4	SNA	

5. EXPLODED VIEW & PART LIST

5-2. Related Parts of the Electronic / Mechanical Fridge

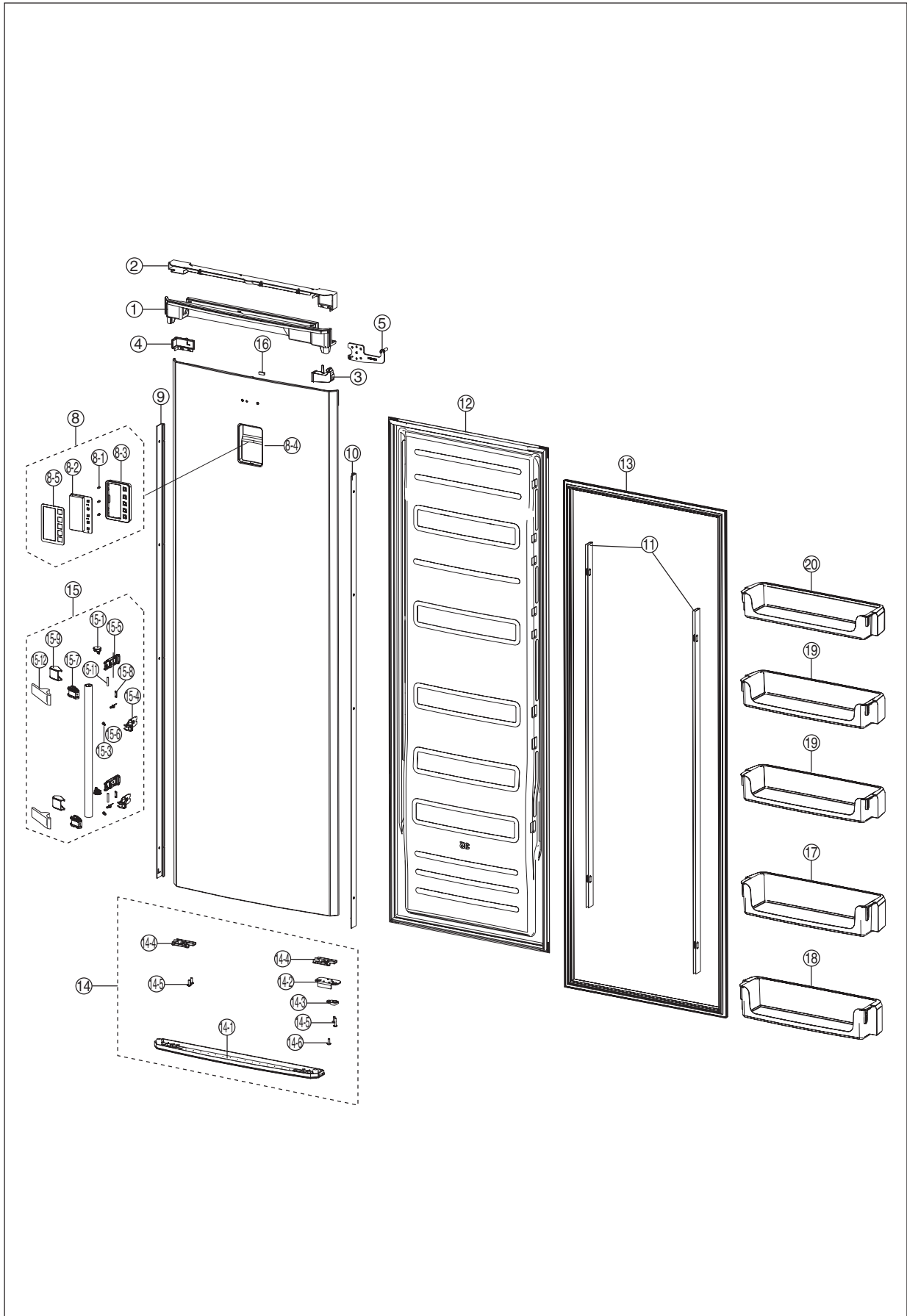


5. EXPLODED VIEW & PART LIST

NO	CODE-NO	PART NAME	SPECIFICATION	Q'TY	SVC	REMARK
1	DA67-01446	SHELF-REF		1	SA	
2	DA67-01446A	SHELF-REF		1	SA	
3	DA97-07456A	ASSY SHELF-DELI BIN	TWIN-PJT,NORMAL	1	SA	NEW
3-1	DA67-02266A	SHELF-DELI BIN	TWIN-PJT,ABS,-,-,COOL-WHITE,NORMAL,SD-0160,SC-02	1	SNA	NEW
3-2	DA67-01464E	SHELF GLASS[DELI BIN_NOR]	강화유리 T3.2	1	SNA	
3-3	DA61-05089A	GUIDE-RAIL	TWIN-PJT,SAN,NTR,ECONOMIC,HG-5661	1	SNA	NEW
3-4	DA61-05092A	SUPPORT-GUIDE RAIL	TWIN-PJT,ABS,WHITE,HF-0660	1	SNA	NEW
3-5	DA63-40305A	GROMMET RAIL		2	SNA	
4	DA75-00202C	RACK-WINE	CORE-PJT,MSWR70,OD5.0,PE-COATING	1	SA	NEW
5	DA97-07460A	ASSY SHELF-FOLD	TWIN-PJT,-	1	SA	NEW
5-1	DA67-02264A	SHELF-FOLD A	TWIN-PJT,ABS,-,-,COOL-WHITE,SD-0160,SC-02740R	1	SNA	NEW
5-2	DA01-00509B	GLASS-SHELF FOLD A	W445*D147,T3.2,TWIN-PJT	1	SNA	NEW
5-3	DA67-02265A	SHELF-FOLD B	TWIN-PJT,ABS,-,-,COOL-WHITE,SD-01601,SC-02740R	1	SNA	NEW
5-4	DA01-00509C	GLASS-SHELF FOLD B	W439*D148,T4.0,TWIN-PJT	1	SNA	NEW
6	DA97-07454A	ASSY SHELF-REF UPP[1DRAW]	TWIN-PJT,-	1	SA	NEW
6-1	DA64-02863A	TRIM SHELF-REF UPP[1DRAW]	TWIN,ABS,HF-0660I,GLASS T3.2,COOL-WHITE(SC-02740R)	1	SNA	NEW
6-2	DA01-00509D	GLASS-SHELF REF UPP[1DRAW]	W457.0,D234.0,T3.2,TWIN-PJT	1	SNA	NEW
6-3	DA66-10104C	ROLLER-FRE		2	SNA	
6-4	DA64-02885A	TRIM-PLATE ABSORBER	TWIN-PJT,ABS+PVC,P-1000,L464,WHITE	1	SNA	NEW
7	DA97-07455A	ASSY SHELF-REF LOW	TWIN-PJT,-	1	SA	NEW
6-4	DA64-02885A	TRIM-PLATE ABSORBER	TWIN-PJT,ABS+PVC,P-1000,L464,WHITE	1	SA	NEW
7-2	DA64-02862A	TRIM SHELF-REF LOW	TWIN,ABS,HF-0660I,GLASS T3.2,COOL-WHITE(SC-02740R)	1	SNA	NEW
7-3	DA01-00509E	GLASS-SHELF REF LOW	W457.0,D276.0,T3.2,TWIN-PJT	1	SNA	NEW
7-4	DA64-02860A	KNOB-HUMIDITY	TWIN,ABS,T2.0,W155.9 D36.0,COOL-WHITE(SC-02740R),H	1	SNA	NEW
6-3	DA66-10104C	ROLLER-FRE		2	SNA	
8	DA61-05099A	CASE DELI BIN	TWIN,GPPS,2.5,-,-,NTR,G-116	1	SA	NEW
9	DA97-07399A	ASSY CASE-VEG UPP[1DRAW]	TWIN-PJT,-,-,-,NORMAL	1	SA	NEW
9-1	DA61-05104A	CASE-VEG UPP	TWIN,PP,T1.8,W461,H209.7,D272.4,-,COOL-WHITE(SC-02)	1	SNA	NEW
9-2	DA63-04870A	COVER-VEG FRONT UPP	TWIN,GPPS,T2.0,W461,H210,D32.5,-,-,NTR,G-116HV	1	SNA	NEW
10	DA61-05106A	GUIDE-VEG	TWIN,PP,T2.0,W227.8 H192.0,-,COOL-WHITE(SC-02740R)	1	SNA	NEW
11	DA97-07400A	ASSY CASE-VEG LOW	TWIN-PJT,-,-,-,NORMAL	1	SA	NEW
11-1	DA61-05103A	CASE-VEG LOW	TWIN,PP,T1.8,W461,H250,D357.7,-,COOL-WHITE(SC-0274)	1	SNA	NEW
11-2	DA63-04869A	COVER-VEG FRONT LOW	TWIN,GPPS,T2.0,W461,H250,D32.5,-,-,NTR,G-116HV	1	SNA	NEW

5. EXPLODED VIEW & PART LIST

5-3. Related Parts of the Mechanical Door of Victory Handle and New Horizontal Handle type



5. EXPLODED VIEW & PART LIST

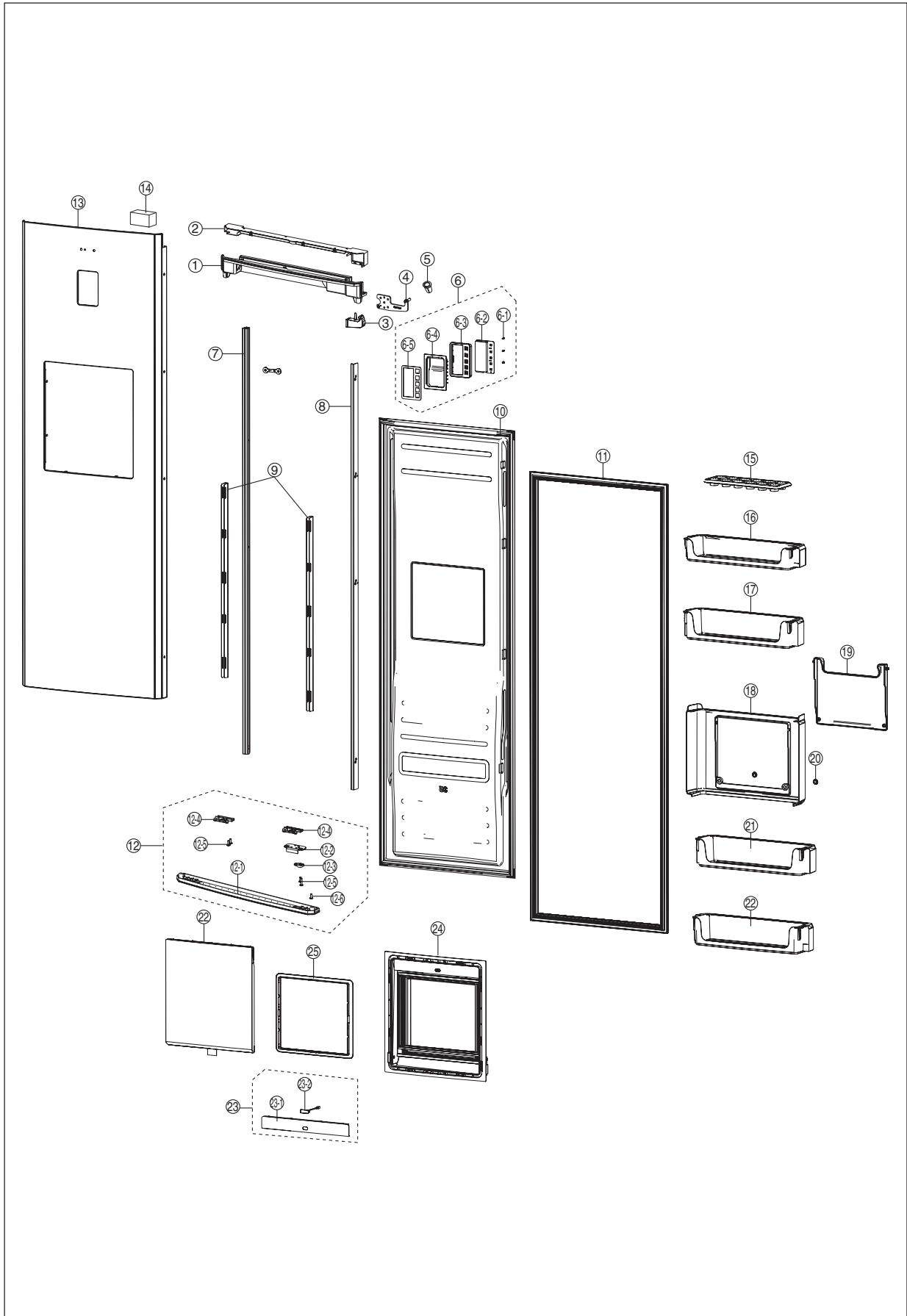
NO	CODE-NO	PART NAME	SPECIFICATION	Q'TY	SVC	REMARK
1	DA67-02223A	CAP DOOR-UPP	TWIN-PJT,ABS,T2.0,SNOW WHITE	1	SA	
2	DA63-04851A	COVER-WIRE DOOR	TWIN-PJT,ABS,SNOW WHITE	1	SA	
3	DA63-04849A	COVER-WIRE HINGE R	TWIN-PJT,PP,T1.8,SNOW WHITE	1	SA	NEW
4	DA67-02224A	CAP-SPACE DOOR L	TWIN-PJT,ABS,T2.0,SNOW WHITE,HG-0760H	1	SNA	NEW
5	DA97-07376A	ASSY HINGE UPP	TWIN-PJT,-,-,-,-,-,-	1	SNA	
5-1	DA61-05080A	HINGE-UPP	TWIN-PJT,SHP1,T4.0,-,-,-,-,-	1	SNA	NEW
5-2	DA66-00073C	SHAFT-WASHER, C		1	SNA	NEW
5-3	DA66-00663A	SHAFT-HINGE UPP	TWIN-PJT,SWCH10A,-,-,-,-,-ZPC(WHT)	2	SNA	
7	DA63-04850A	GROMMET HINGE	TWIN-PJT,NY-66,T2.0,-,L20,-,14.5,NTR,-	1	SA	NEW
8	DA97-07381A	ASSY COVER-DISPLAY REF	TWIN-PJT,-,-,-,-,-,-,-	1	SA	NEW
8-1	6002-000466	SCREW-TAPPING		1	SNA	NEW
8-2	PBA PANEL	PBA DISPLAY[REF]		1	SNA	NEW
8-3	DA63-04834A	COVER DISPLAY	TWIN-PJT,ABS,-,-,-,-,-,-	1	SNA	NEW
8-4	DA61-05066A	CASE-DISPLAY	TWIN-PJT,PP,-,-,-,-,-NTR,-	1	SNA	NEW
8-5	DA64-02836A	WINDOW DISPLAY[REF]	TWIN-PJT,PC,T0.38,BLACK SMOG 16%	1	SA	NEW
9	DA61-05353A	REINF-PLATE DOOR L	TWIN-35,25,SHP1,L1550	1	SNA	NEW
10	DA61-05352A	REINF-PLATE DOOR R	TWIN-35,25,SHP1,L1550	1	SNA	NEW
11	DA71-00192H	REINF-PANEL	TWIN-35,ABS,T1.0,-,-,-,-,COOL WHITE,-	2	SNA	
12	DA64-02849A	PANEL DOOR REF		1	SNA	NEW
13	DA97-07366G	GASKET DOOR	TWIN-PJT(R35,F25),-,W534,L1595	1	SA	NEW
14	DA97-07377A	ASSY CAP DOOR-LOW	TWIN-PJT,EE,SNOW WHITE	1	SA	NEW
14-1	DA67-02222A	CAP DOOR-LOW	TWIN-PJT,ABS,T2.0,SNOW WHITE	1	SNA	NEW
14-2	DA61-00776A	STOPPER-DOOR	TWIN-PJT,ABS,T2.0,SNOW WHITE	1	SNA	NEW
14-3	DA66-00344A	CAM-HINGE RISER LOW		1	SNA	NEW
14-4	DA61-05082A	REINF-DOOR LOW		2	SNA	
14-5	6001-000715	SCREW-MACHINE	TWIN-PJT,SHP1,T2.0,-,-,-,-,-	1	SA	NEW
14-6	6001-001377	SCREW-MACHINE		1	SA	NEW
15	NEW	ASSY HANDLE		1	SNA	NEW
15-1	DA67-01452A	CAP-HANDLE,SIDE		1	SNA	NEW
15-2	DA64-02899A	HANDLE BAR[EASY]	TWIN-PJT,AL,L522,NATURAL SILVER,EASY HANDLE(HALF)	1	SNA	NEW
15-3	6009-001512	SCREW-SPECIAL		1	SA	NEW
15-4	DA61-05173A	SUPPORT-HANDLE,A	TWIN-PJT,PA+ABS,SHP1,SNOW WHITE,STEEL INSERT	1	SNA	NEW
15-5	DA61-05174A	SLIDER-HANDLE	TWIN-PJT,POM,SNOW WHITE	1	SNA	NEW
15-6	DA61-05177A	SPRING ETC-HANDLE	TWIN-PJT,HSWR,6.6,5.4,7.8,-,5.5,-,ZPC3,-,EASY HAND	2	SA	NEW
15-7	DA61-05172A	SUPPORT-HANDLE B	TWIN-PJT,NY-66,SNOW WHITE	2	SA	NEW
15-8	DA63-03196A	COVER SUPT HANDLE REAR		2	SNA	NEW
15-9	DA63-04929A	COVER SUPT HANDLE FRONT	TWIN-PJT,ABS,SNOW WHITE,SNOW WHITE,EASY HANDLE	2	SA	NEW
15-10	DA73-00238A	RUBBER-HANDLE	TWIN-PJT,SILICON,SNOW WHITE,EASY HANDLE	1	SA	NEW
15-11	DA66-00664A	SHAFT-HANDLE	TWIN-PJT,STS204,L27.0,-,-,-,-,EASY HANDLE	2	SA	NEW
15-12	DA63-0498A	COVER SLIDER HANDLE	TWIN-PJT,ABS	2	SA	NEW

5. EXPLODED VIEW & PART LIST

NO	CODE-NO	PART NAME	SPECIFICATION	Q'TY	SVC	REMARK
16	DA61-03769A	MAGNET	HERMES, -, 5X7X18, -, -, 1200Gauss	1	SA	
17	DA63-04873A	GUARD-BOTTLE	TWIN-PJT,GPPS,T2.0,-,-,NTR,HF-2660S	1	SA	NEW
18	DA63-04874A	GUARD-REF LOW	TWIN-PJT,GPPS,T2.0,-,-,NTR,HF-2660S	1	SA	NEW
19	DA63-04875A	GUARD-REF MID	TWIN-PJT,GPPS,T2.0,-,-,NTR,HF-2660S	1	SA	NEW
20	DA63-04872A	GUARD-REF UPP	TWIN-PJT,GPPS,T2.0,-,-,NTR,HF-2660S	1	SA	NEW
21	DA61-05079A	PLATE DOOR E	TWIN-35,25,SECC1,T0.5,SNOW WHITE,B	1	SNA	NEW

5. EXPLODED VIEW & PART LIST

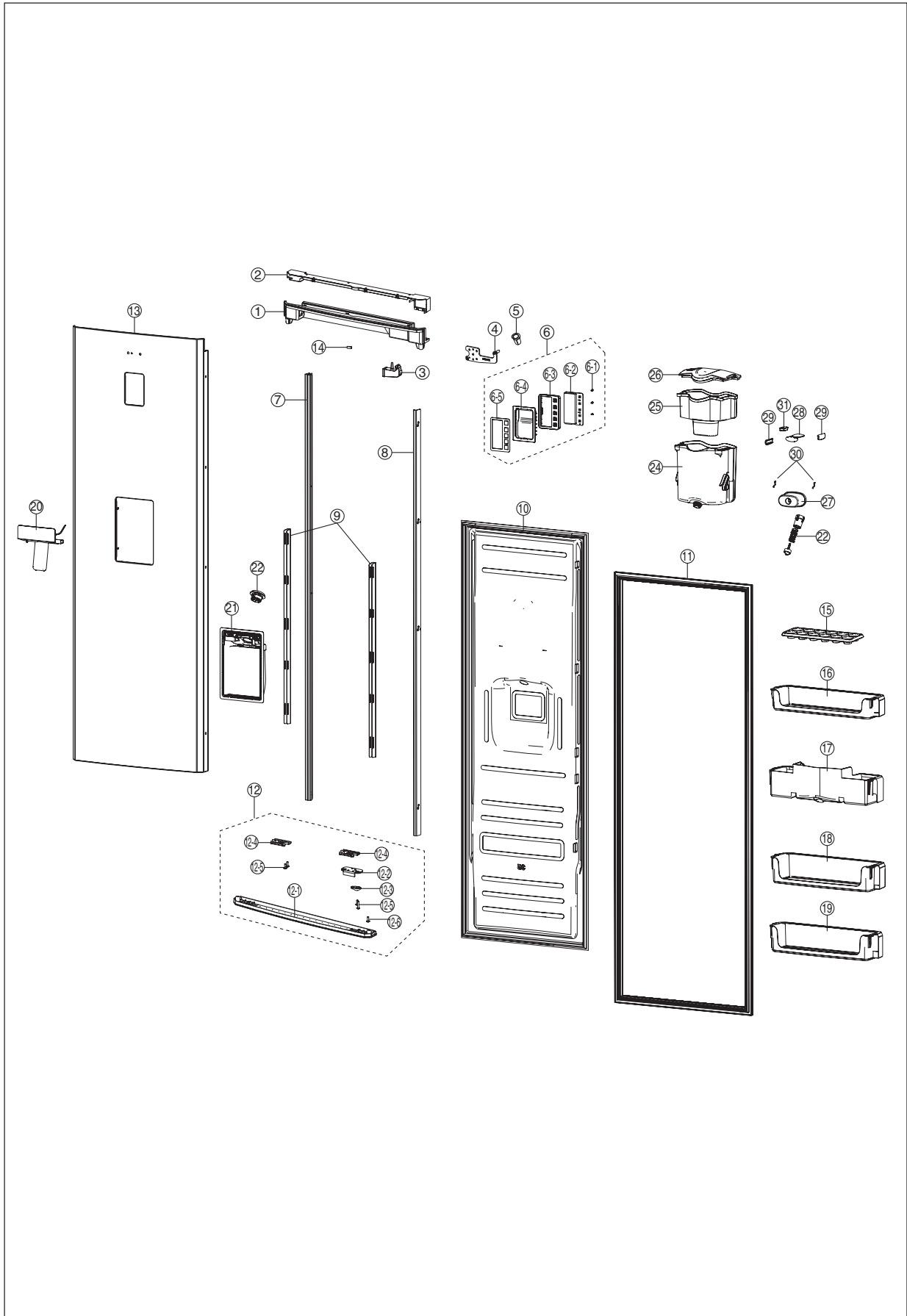
5-4. Home-Bar DOOR



NO	CODE-NO	PART NAME	SPECIFICATION	Q'TY	SVC	REMARK
1	DA67-02223A	CAP DOOR-UPP	TWIN-PJT,ABS,T2.0,SNOW WHITE	1	SNA	NEW
2	DA63-04851A	COVER-WIRE DOOR	TWIN-PJT,ABS,SNOW WHITE	1	SNA	NEW
3	DA63-04849A	COVER-WIRE HINGE R	TWIN-PJT,PP,T1.8,SNOW WHITE	1	SNA	NEW
4	DA97-07376A	ASSY HINGE UPP	TWIN-PJT,-,-,-,-,-	1	SA	NEW
4-1	DA61-05080A	HINGE-UPP	TWIN-PJT,SHP1,T4.0,-,-,-,-,-	1	SNA	NEW
4-2	DA66-00073C	SHAFT-WASHER, C		1	SA	
4-3	DA66-00663A	SHAFT-HINGE UPP	TWIN-PJT,SWCH10A,-,-,-,-,ZPC(WHT)	1	SNA	NEW
5	DA63-04850A	GROMMET HINGE	TWIN-PJT,NY-66,T2.0,-,L20,-,14.5,NTR,-	1	SNA	NEW
6	DA97-07381A	ASSY COVER-DISPLAY REF	TWIN-PJT,-,-,-,-,-,-,-	1	SA	NEW
6-1	6002-000466	SCREW-TAPPING		3	SA	
6-2	DA41-00612A	PBA PANEL		1	SA	
6-3	DA63-04834A	COVER DISPLAY	TWIN-PJT,ABS,-,-,-,-,-,-,-	1	SNA	NEW
6-4	DA61-05066A	CASE-DISPLAY	TWIN-PJT,PP,-,-,-,-,NTR,-	1	SNA	NEW
6-5	DA64-02836A	WINDOW DISPLAY[REF]	TWIN-PJT,PC,T0.38,BLACK SMOG 16%	1	SNA	NEW
7	DA61-05353A	REINF-PLATE DOOR L	TWIN-35,25,SHP1,L1550	1	SNA	NEW
8	DA61-05352A	REINF-PLATE DOOR R	TWIN-35,25,SHP1,L1550	1	SNA	NEW
9	DA61-04438A	REINF-PANEL		2	SNA	
10	DA64-02846A	PANEL DOOR-REF B	TWIN-35,ABS,T1.0,-,-,-,-,COOL WHITE,-	1	SNA	NEW
11	DA97-07366G	GASKET DOOR	TWIN-PJT(R35,F25),-,W534,L1595	1	SA	NEW
12	DA97-07377A	ASSY CAP DOOR-LOW	TWIN-PJT,EE,SNOW WHITE	1	SNA	NEW
12-1	DA67-02222A	CAP DOOR-LOW	TWIN-PJT,ABS,T2.0,SNOW WHITE	1	SNA	NEW
12-2	DA61-00776A	STOPPER-DOOR		2	SA	
12-3	DA66-00344A	CAM-HINGE RISER LOW		1	SC	
12-4	DA61-05082A	REINF-DOOR LOW	TWIN-PJT,SHP1,T2.0,-,-,-,-,-	1	SNA	NEW
12-5	6001-000715	SCREW-MACHINE		4	SA	
12-6	6001-001377	SCREW-MACHINE		2	SA	
13	DA61-05084A	PLATE-DOOR B	TWIN-PJT,SECC1,T0.5	1	SNA	
14	DA61-03769A	MAGNET		1	SA	
15	DA63-03734A	TRAY-EGG	HERMES-PJT,GPPS,T2.5,W114.2,L314.17,-,NONE COLOR	1	SA	
16	DA63-04872A	GUARD REF-UPP	TWIN-PJT,GPPS,NTR,168N	1	SA	NEW
17	DA63-04876A	GUARD-HOMEBAR	TWIN-PJT,GPPS,NTR,168N	2	SA	NEW
18	DA61-05107A	CASE-DOOR RECESS	TWIN-PJT,GPPS,T2.5,-,-,-,NTR,HF-2660S	1	SA	NEW
19	DA63-04076A	COVER-HOMEBAR RECESS REF	CULLINAN_08,GPPS,-,-,-,-,-,TRP,-	1	SA	NEW
20	DA63-04883A	GROMMET-DOOR RECESS	TWIN-PJT,SILICON,-,-,-,-,-,NTR,K740	2	SA	NEW
21	DA63-04874A	GUARD REF-LOW	TWIN-PJT,GPPS,NTR,168N	1	SA	NEW
22	DA97-07445A	ASSY HOME BAR	TWIN	1	SA	NEW
23	DA97-07441A	ASSY COVER-LATCH	TWIN	1	SA	NEW
23-1	DA63-04885A	COVER-LATCH	TWIN,ABS	1	SNA	NEW
23-2	DA34-00043A	SWITCH REED-ASS'Y	200VDC,1.5,-	1	SA	
24	DA97-07440E	ASSY CASE HOME BAR	TWIN,CREAMY STS	1	SNA	NEW
25	DA64-02446A	TRIM-CASE HOMEBAR OUT REF	CULLINAN-PJT,PP,-,-,-,TULIP-WHITE,-	1	SA	

5. EXPLODED VIEW & PART LIST

5-5. WATER DISPENSER DOOR

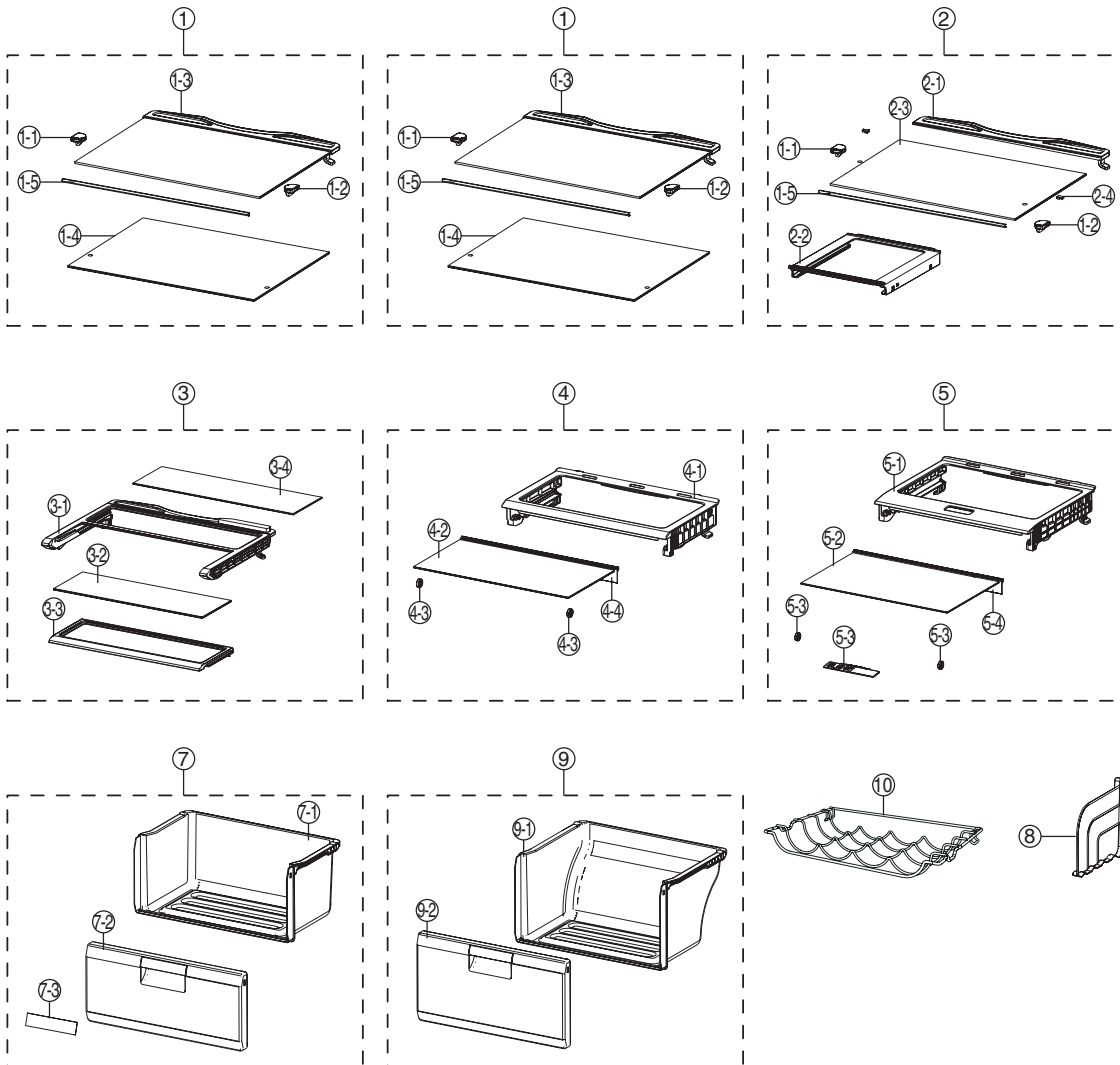


NO	CODE-NO	PART NAME	SPECIFICATION	Q'TY	SVC	REMARK
1	DA67-02223A	CAP DOOR-UPP	TWIN-PJT,ABS,T2.0,SNOW WHITE	1	SNA	NEW
2	DA63-04851A	COVER-WIRE DOOR	TWIN-PJT,ABS,SNOW WHITE	1	SNA	NEW
3	DA63-04849A	COVER-WIRE HINGE R	TWIN-PJT,PP,T1.8,SNOW WHITE	1	SNA	NEW
4	DA97-07376A	ASSY HINGE UPP	TWIN-PJT,-,-,-,-,-	1	SA	NEW
4-1	DA61-05080A	HINGE-UPP	TWIN-PJT,SHP1,T4.0,-,-,-,-,-	1	SNA	NEW
4-2	DA66-00073C	SHAFT-WASHER, C		1	SA	
4-3	DA66-00663A	SHAFT-HINGE UPP	TWIN-PJT,SWCH10A,-,-,-,-,ZPC(WHT)	1	SNA	NEW
5	DA63-04850A	GROMMET HINGE	TWIN-PJT,NY-66,T2.0,-,L20,-,14.5,NTR,-	1	SNA	NEW
6	DA97-07381A	ASSY COVER-DISPLAY REF	TWIN-PJT,-,-,-,-,-,-,-	1	SA	NEW
6-1	6002-000466	SCREW-TAPPING		3	SA	
6-2	DA41-00612A	PBA PANEL		1	SA	
6-3	DA63-04834A	COVER DISPLAY	TWIN-PJT,ABS,-,-,-,-,-,-,-	1	SNA	NEW
6-4	DA61-05066A	CASE-DISPLAY	TWIN-PJT,PP,-,-,-,-,NTR,-	1	SNA	NEW
6-5	DA61-05067A	WINDOW DISPLAY[REF]	TWIN-PJT,PC,T0.38,BLACK SMOG 16%	1	SNA	NEW
7	DA61-05068A	REINF-PLATE DOOR L	TWIN-35,25,SHP1,L1550	1	SNA	NEW
8	DA61-05069A	REINF-PLATE DOOR R	TWIN-35,25,SHP1,L1550	1	SNA	NEW
9	DA61-05070A	REINF-PANEL		2	SNA	
10	DA61-05071A	PANEL DOOR-REF W	TWIN-35,ABS,T1.0,-,-,-,-,COOL WHITE,DISP,SC-02740R	1	SNA	NEW
11	DA61-05072A	GASKET DOOR	TWIN-PJT(R35,F25),-,-,W534,L1595	1	SNA	NEW
12	DA97-07377A	ASSY CAP DOOR-LOW	TWIN-PJT,EE,SNOW WHITE	1	SNA	NEW
12-1	DA67-02222A	CAP DOOR-LOW	TWIN-PJT,ABS,T2.0,SNOW WHITE	1	SNA	NEW
12-2	DA61-00776A	STOPPER-DOOR		1	SA	
12-3	DA66-00344A	CAM-HINGE RISER LOW		1	SC	
12-4	DA61-05082A	REINF-DOOR LOW	TWIN-PJT,SHP1,T2.0,-,-,-,-,-	1	SNA	NEW
12-5	6001-000715	SCREW-MACHINE		4	SA	
12-6	6001-001377	SCREW-MACHINE		2	SA	
13	DA61-05083A	PLATE-DOOR W	TWIN-PJT,STS430,T0.5,REAL STANLESS,A	1	SNA	NEW
14	DA61-03769A	MAGNET		1	SA	
15	DA63-03734A	TRAY-EGG	HERMES-PJT,GPPS,T2.5,W114.2,L314.17,-,NONE COLOR,-	1	SA	
16	DA63-04872A	GUARD REF-UPP	TWIN-PJT,GPPS,NTR,168N	1	SA	NEW
17	DA63-04884A	GUARD-DISPENSER	TWIN-PJT,GPPS,NTR,168N	1	SA	NEW
18	DA63-04873A	GUARD BOTTLE	TWIN-PJT,GPPS,NTR,168N	1	SA	NEW
19	DA63-04874A	GUARD REF-LOW	TWIN-PJT,GPPS,NTR,168N	1	SA	NEW
20	DA97-07383A	ASSY COVER DISP	TWIN-PJT	1	SA	NEW
21	DA61-05065A	CASE-DISPENSER	TWIN-PJT,ABS	1	SNA	NEW
22	DA61-03955A	FIXER-CASE	MT-PJT,ABS,-,NTR,-	1	SNA	
23	DA97-05813A	ASSY-COCK DISPENSER	MT-PJT,COOL WHITE,-,-	1	SA	
24	DA67-02218A	TANK WATER	TWIN-PJT,PP,-,-,-,-,NTR,-	1	SNA	NEW
25	DA61-03989A	CASE-FILTER TANK	CORE,ABS,-,-,-,-,-	1	SA	
26	DA63-03993A	COVER TANK-WATER	CORE,ABS,-,-,-,-,-,-,-	1	SA	
27	DA29-00017A	FILTER WATER-ASSY	-,CORE,-,-,-,-,-,-,-	1	SA	
28	DA67-01883A	CAP-COVER TANK	CORE,ABS,-,-,-,-,-,-,-	1	SA	

NO	CODE-NO	PART NAME	SPECIFICATION	Q'TY	SVC	REMARK
29	DA65-20004B	CLAMPER BAG-CLAMP TANK	W2,HIPS,-,-,COOL WHITE,-	2	SNA	
30	DA61-04445A	SPRING ETC-WATER TANK	MT-PJT,STS304,-,-,-,-,-,-,-,-	2	SNA	

5. EXPLODED VIEW & PART LIST

5-6. PREMIUM



NO	CODE-NO	PART NAME	SPECIFICATION	Q'TY	SVC	REMARK
1	DA97-04091E	ASSY SHELF REF	CORE-PJT, PREMIUM	2	SA	
1-1	DA61-03116A	STOPPER-SHELF L	CORE-PJT,PP,-,-,SC-02740R,COOL WHITE	1	SA	
1-2	DA61-03117A	STOPPER-SHELF R	CORE-PJT,PP,-,-,SC-02740R,COOL WHITE	1	SA	
1-3	DA67-01445A	SHELF-REF	CORE(PREMIUM),ABS+GLASS,-,-,-,INSERT	1	SA	
1-4	DA67-01464B	SHELF-GLASS	CORE-PJT,GALSS,T4.0,W477,L336,-,-	1	SNA	
1-5	DA64-01821B	TRIM-SHELF	CORE,STS430,-,T0.4,-,-,PREMIUM	1	SA	
2	DA97-07457A	ASSY SHELF-DELI BIN	TWIN-PJT,PREMIUM	1	SA	NEW
2-1	DA67-02267A	SHELF-DELI BIN	TWIN-PJT,ABS,-,-,COOL WHITE,PREMIUM,SD-0160,SC-02740R	1	SNA	NEW
2-2	DA61-05090A	GUIDE-RAIL	TWIN-PJT,SAN,NTR,PREMIUM,HG-5661	1	SNA	NEW
2-3	DA67-01464B	SHELF GLASS	CORE-PJT,GALSS,T4.0,W477,L336,-,-	1	SNA	
2-4	DA63-40305A	GROMMET-RAIL	GROMMET-RAIL	4	SA	
3	DA97-07460A	ASSY SHELF-FOLD	TWIN-PJT,-	1	SA	NEW
3-1	DA67-02264A	SHELF-FOLD A	TWIN-PJT,ABS,-,-,COOL-WHITE,SD-0160,SC-02740R	1	SNA	NEW
3-2	DA01-00509B	GLASS-SHELF FOLD A	W472.5*D146,T3.2,TWIN-PJT	1	SNA	NEW
3-3	DA67-02265A	SHELF-FOLD B	TWIN-PJT,ABS,-,-,COOL-WHITE,SD-01601,SC-02740R	1	SNA	NEW
3-4	DA01-00509C	GLASS-SHELF FOLD B	W438*D147,T4.0,TWIN-PJT	1	SNA	NEW
4	DA97-07454A	ASSY SHELF REF-UPP	TWIN-PJT,-	1	SA	NEW
4-1	DA64-02863A	TRIM SHELF-REF UPP	TWIN,ABS,HF-0660I,GLASS T3.2,COOL-WHITE(SC-02740R),HG-1760SF	1	SNA	
4-2	DA01-00509D	GLASS-SHELF REF UPP	W457.0,D234.0,T3.2,TWIN-PJT	1	SNA	NEW
4-3	DA66-00690A	ROLLER-SHELF	TWIN,POM,22,NTR	2	SNA	
4-4	DA64-02885A	TRIM-PLATE ABSORBER	TWIN-PJT,ABS+PVC,P-1000,L464,WHITE	1	SA	NEW
5	DA97-07455A	ASSY SHELF REF-LOW	TWIN-PJT,-	1	SA	NEW
5-1	DA64-02862A	TRIM SHELF-REF LOW	TWIN,ABS,HF-0660I,GLASS T3.2,COOL-WHITE(SC-02740R),HG-1760SF	1	SNA	NEW
5-2	DA01-00509E	GLASS-SHELF REF LOW	W457.0,D276.0,T3.2,TWIN-PJT	1	SNA	NEW
5-3	DA64-02860A	KNOB-HUMIDITY	TWIN,ABS,T2.0,W155.9 D36.0,COOL-WHITE(SC-02740R),HF-0660	1	SNA	NEW
6	DA61-05099A	CASE-DELI BIN	TWIN,GPPS,2.5,-,-,NTR,G-116	1	SA	NEW
7	DA97-07399B	ASSY CASE-VEG UPP	TWIN-PJT,PC-SHEET,PREMIUM	1	SA	NEW
7-1	DA61-05104A	CASE-VEG UPP	TWIN,PP,T1.8,W461,H209.7,D272.4,-,COOL-WHITE(SC-02740R),BJ-730	1	SNA	NEW
7-2	DA63-04870A	COVER-VEG FRONT UPP	TWIN,GPPS,T2.0,W461,H210,D32.5,NTR,168N	1	SNA	NEW
7-3	DA64-03038B	WINDOW-COVER FOLDER	TWIN-PJT,PC,132.0,25,SILVER,HAIR LINE	1	SNA	NEW
8	DA61-05106A	GUIDE-VEG	TWIN,PP,T2.0,W227.8 H192.0,-,COOL-WHITE(SC-02740R),BJ-730	1	SNA	NEW
9	DA97-07400C	ASSY CASE-VEG LOW	TWIN-PJT,PC-SHEET,PREMIUM	1	SA	NEW
9-1	DA61-05103A	CASE-VEG LOW	TWIN,PP,T1.8,W461,H250,D357.7,-,COOL-WHITE(SC-02740R),BJ-730	1	SNA	NEW
9-2	DA63-04869A	COVER-VEG FRONT LOW	TWIN,GPPS,T2.0,W461,H250,D32.5,NTR,168N	1	SNA	NEW
10	DA75-00202C	RACK-WINE	CORE-PJT,MSWR70,OD5.0,-,-,-,PE-COATING	1	SA	NEW

6. COLOR & SPECIFICATION CODE

6-1. Door Specification Code (Fridge)

NO	CODE-NO	PART NAME	SPECIFICATION
1	DA91-02851A	ASSY DOOR FOAM REF	TWIN-35,SNOW WHITE,B,ELEC
	DA91-02851B	ASSY DOOR FOAM REF	TWIN-35,MANHATTAN SILVER,B,ELEC
	DA91-02851C	ASSY DOOR FOAM REF	TWIN-35,EMPIRE BLACK,B,ELEC
	DA91-02851D	ASSY DOOR FOAM REF	TWIN-35,INOX,B,ELEC
	DA91-02851E	ASSY DOOR FOAM REF	TWIN-35,REAL STS,B,ELEC
	DA91-02851F	ASSY DOOR FOAM REF	TWIN-35,SNOW WHITE,A,ELEC
	DA91-02851G	ASSY DOOR FOAM REF	TWIN-35,MANHATTAN SILVER,A,ELEC
	DA91-02851H	ASSY DOOR FOAM REF	TWIN-35,EMPIRE BLACK,A,ELEC
	DA91-02851J	ASSY DOOR FOAM REF	TWIN-35,INOX,A,ELEC
	DA91-02851K	ASSY DOOR FOAM REF	TWIN-35,REAL STS,A,ELEC
	DA91-02851L	ASSY DOOR FOAM REF-E	TWIN-35,TITANUM SILVER,B,ELEC
	DA91-02851M	ASSY DOOR FOAM REF-E	TWIN-35,TITANUM SILVER,A,ELEC
	DA91-02851N	ASSY DOOR FOAM REF-E	TWIN-35,PLATINUM INOX,B,ELEC
	DA91-02851P	ASSY DOOR FOAM REF-E	TWIN-35,PLATINUM INOX,A,ELEC
2	DA91-02852A	ASSY DOOR FOAM REF	TWIN-35,SNOW WHITE,B,H/BAR
	DA91-02852B	ASSY DOOR FOAM REF	TWIN-35,MANHATTAN SILVER,B,H/BAR
	DA91-02852C	ASSY DOOR FOAM REF	TWIN-35,EMPIRE BLACK,B,H/BAR
	DA91-02852D	ASSY DOOR FOAM REF	TWIN-35,INOX,B,H/BAR
	DA91-02852E	ASSY DOOR FOAM REF	TWIN-35,REAL STS,B,H/BAR
	DA91-02852F	ASSY DOOR FOAM REF	TWIN-35,SNOW WHITE,A,H/BAR
	DA91-02852G	ASSY DOOR FOAM REF	TWIN-35,MANHATTAN SILVER,A,H/BAR
	DA91-02852H	ASSY DOOR FOAM REF	TWIN-35,EMPIRE BLACK,A,H/BAR
	DA91-02852J	ASSY DOOR FOAM REF	TWIN-35,INOX,A,H/BAR
	DA91-02852K	ASSY DOOR FOAM REF	TWIN-35,REAL STS,A,H/BAR
	DA91-02852L	ASSY DOOR FOAM REF-B	TWIN-35,TITANUM SILVER,B,H/BAR
	DA91-02852M	ASSY DOOR FOAM REF-B	TWIN-35,TITANUM SILVER,A,H/BAR
	DA91-02852N	ASSY DOOR FOAM REF-B	TWIN-35,PLATINUM INOX,B,H/BAR
	DA91-02852P	ASSY DOOR FOAM REF-B	TWIN-35,PLATINUM INOX,A,H/BAR
3	DA91-02853A	ASSY DOOR FOAM REF	TWIN-35,SNOW WHITE,B,DISP
	DA91-02853B	ASSY DOOR FOAM REF	TWIN-35,MANHATTAN SILVER,B,DISP
	DA91-02853C	ASSY DOOR FOAM REF	TWIN-35,EMPIRE BLACK,B,DISP
	DA91-02853D	ASSY DOOR FOAM REF	TWIN-35,INOX,B,DISP
	DA91-02853E	ASSY DOOR FOAM REF	TWIN-35,REAL STS,B,DISP
	DA91-02853F	ASSY DOOR FOAM REF	TWIN-35,SNOW WHITE,A,DISP
	DA91-02853G	ASSY DOOR FOAM REF	TWIN-35,MANHATTAN SILVER,A,DISP
	DA91-02853H	ASSY DOOR FOAM REF	TWIN-35,EMPIRE BLACK,A,DISP
	DA91-02853J	ASSY DOOR FOAM REF	TWIN-35,INOX,A,DISP
	DA91-02853K	ASSY DOOR FOAM REF	TWIN-35,REAL STS,A,DISP
	DA91-02853L	ASSY DOOR FOAM REF-W	TWIN-35,TITANUM SILVER,B,DISP
	DA91-02853M	ASSY DOOR FOAM REF-W	TWIN-35,TITANUM SILVER,A,DISP
	DA91-02853N	ASSY DOOR FOAM REF-W	TWIN-35,PLATINUM INOX,B,DISP
	DA91-02853P	ASSY DOOR FOAM REF-W	TWIN-35,PLATINUM INOX,A,DISP
5	DA91-02854A	ASSY DOOR FOAM REF	TWIN-32,SNOW WHITE,ELEC
	DA91-02854B	ASSY DOOR FOAM REF	TWIN-32,MANHATTAN SILVER,ELEC
	DA91-02854C	ASSY DOOR FOAM REF	TWIN-32,EMPIRE BLACK,ELEC
	DA91-02854D	ASSY DOOR FOAM REF	TWIN-32,INOX,ELEC
	DA91-02854E	ASSY DOOR FOAM REF	TWIN-32,REAL STS,ELEC
	DA91-02854F	ASSY DOOR FOAM REF-E	TWIN-32,TITANUM SILVER,ELEC
	DA91-02854G	ASSY DOOR FOAM REF-E	TWIN-32,PLATINUM INOX,ELEC

6. COLOR & SPECIFICATION CODE

6-2. Handle Specification Code (Fridge)

NO	CODE-NO	PART NAME	SPECIFICATION
1	DA97-07857A	ASSY HANDLE-EASY	TWIN-PJT,ASSY,LONG
	DA97-07857B	ASSY HANDLE-EASY	TWIN-PJT,MANHATTAN SILVER,ASSY,LONG
	DA97-07857C	ASSY HANDLE-EASY	TWIN-PJT,I-BLACK,ASSY,LONG
	DA97-07857D	ASSY HANDLE-EASY	TWIN-PJT,VERSAILLES SILVER,ASSY,LONG
	DA97-07857E	ASSY HANDLE-EASY	TWIN-PJT,PLATINUM SILVER,ASSY,LONG
	DA97-07857F	ASSY HANDLE-EASY	TWIN-PJT,SNOW WHITE,ASSY,LONG
	DA97-07857G	ASSY HANDLE-EASY	TWIN-PJT,I-BLACK,ASSY,LONG
2	DA97-07529A	ASSY HANDLE-EASY	TWIN-PJT,-,-,-,-,-,ASSY
	DA97-07529B	ASSY HANDLE-EASY	TWIN-PJT,Manhattan Silver,ASSY,HALF
	DA97-07529C	ASSY HANDLE-EASY	TWIN-PJT,I-BLACK,ASSY,HALF
	DA97-07529D	ASSY HANDLE-EASY	TWIN-PJT,VERSAILLES SILVER,ASSY,HALF
	DA97-07529E	ASSY HANDLE-EASY	TWIN-PJT,PLATINUM SILVER,ASSY,HALF
	DA97-07529F	ASSY HANDLE-EASY	TWIN-PJT,SNOW WHITE,ASSY,HALF
	DA97-07529G	ASSY HANDLE-EASY	TWIN-PJT,I-BLACK,ASSY,HALF

6-3. Top Table Specification Code (Fridge)

NO	CODE-NO	PART NAME	SPECIFICATION
1	DA97-07640A	ASSY TOP-TABLE FRONT	TWIN-PJT
	DA97-07640B	ASSY TOP-TABLE FRONT	TWIN,NOBLE GRAY
	DA97-07640C	ASSY TOP-TABLE FRONT	TWIN,I-BLACK
	DA97-07640D	ASSY TOP-TABLE FRONT	TWIN,INOX
	DA97-07640E	ASSY TOP-TABLE FRONT	TWIN,CREAMY STS
	DA97-07640F	ASSY TOP-TABLE FRONT	TWIN,TITAN GRAY
2	DA97-07641A	ASSY TOP-TABLE REAR	TWIN-PJT,EE
	DA97-07641B	ASSY TOP-TABLE REAR	TWIN,BASIC,NOBLE GRAY
	DA97-07641C	ASSY TOP-TABLE REAR	TWIN,BASIC,I-BLACK
	DA97-07641D	ASSY TOP-TABLE REAR	TWIN,BASIC,INOX
	DA97-07641E	ASSY TOP-TABLE REAR	TWIN,BASIC,CREAMY STS
	DA97-07641F	ASSY TOP-TABLE REAR	TWIN,BASIC,TITAN GRAY
	DA97-07641G	ASSY TOP-TABLE REAR	TWIN,DISP,SNOW WHITE
	DA97-07641H	ASSY TOP-TABLE REAR	TWIN,DISP,NOBLE GRAY
	DA97-07641J	ASSY TOP-TABLE REAR	TWIN,DISP,I-BLACK
	DA97-07641K	ASSY TOP-TABLE REAR	TWIN,DISP,INOX
	DA97-07641L	ASSY TOP-TABLE REAR	TWIN,DISP,CREAMY STS
	DA97-07641M	ASSY TOP-TABLE REAR	TWIN,DISP,TITAN GRAY
	DA97-07641N	ASSY TOP-TABLE REAR	TWIN,H/BAR,SNOW WHITE
	DA97-07641P	ASSY TOP-TABLE REAR	TWIN,H/BAR,NOBLE GRAY
	DA97-07641Q	ASSY TOP-TABLE REAR	TWIN,H/BAR,I-BLACK
	DA97-07641R	ASSY TOP-TABLE REAR	TWIN,H/BAR,INOX
DA97-07641S	ASSY TOP-TABLE REAR	TWIN,H/BAR,CREAMY STS	
DA97-07641T	ASSY TOP-TABLE REAR	TWIN,H/BAR,TITAN GRAY	

6-4. Cover Leg Front Specification Code (Fridge)

NO	CODE-NO	PART NAME	SPECIFICATION
1	DA97-07462A	ASSY COVER LEG FRONT	TWIN-PJT,PP,SNOW WHITE,ASSY
	DA97-07462B	ASSY COVER LEG FRONT	TWIN-PJT,PP,NOBLE GRAY(SC-02008R),Fridge
	DA97-07462C	ASSY COVER LEG FRONT	TWIN-PJT,PP,I-BLACK(SC-00477R),Fridge
	DA97-07462D	ASSY COVER LEG FRONT	TWIN-PJT,PP,INOX(SC-06034R),Fridge
	DA97-07462E	ASSY COVER LEG FRONT	TWIN-PJT,PP,CREAMY STS(SC-07009R),Fridge
	DA97-07462F	ASSY COVER LEG FRONT	TWIN-PJT,PP,TITAN GRAY(SC-03186R),Fridge

7. CASE PCB PANEL SPECIFICATION CODE

7-1. Case PCB Panel Specification Code

NO	CODE-NO	PART NAME	SPECIFICATION
1	DA97-07464A	ASSY CASE-PCB PANEL	TWIN-PJT,Fridge
	DA97-07464B		TWIN-PJT,ASSY,FRE
	DA97-07464C		TWIN-PJT,Fridge(XSA)
	DA97-07464D		TWIN-PJT,Fridge(XFA)
	DA97-07464E		TWIN-PJT,Fridge(BEL)
	DA97-07464F		TWIN-PJT,Fridge(WSA)
	DA97-07464G		TWIN-PJT,Fridge(XEU)
2	DA97-07905A		TWIN-PJT,Freezer
	DA97-07905B		TWIN-PJT,Freezer,Fridge(KPA,SCL)
	DA97-07905C		TWIN-PJT,Freezer(XSA)
	DA97-07905D		TWIN-PJT,Freezer(XFA)
	DA97-07905E		TWIN-PJT,Freezer,Fridge(BEL)
	DA97-07905F		TWIN-PJT,Freezer(WSA)
	DA97-07905G		TWIN-PJT,Freezer(XEU)
	DA97-07905H	TWIN-PJT,Freezer(DOM)	
	DA97-07905J	TWIN-PJT,Freezer(XAP)	