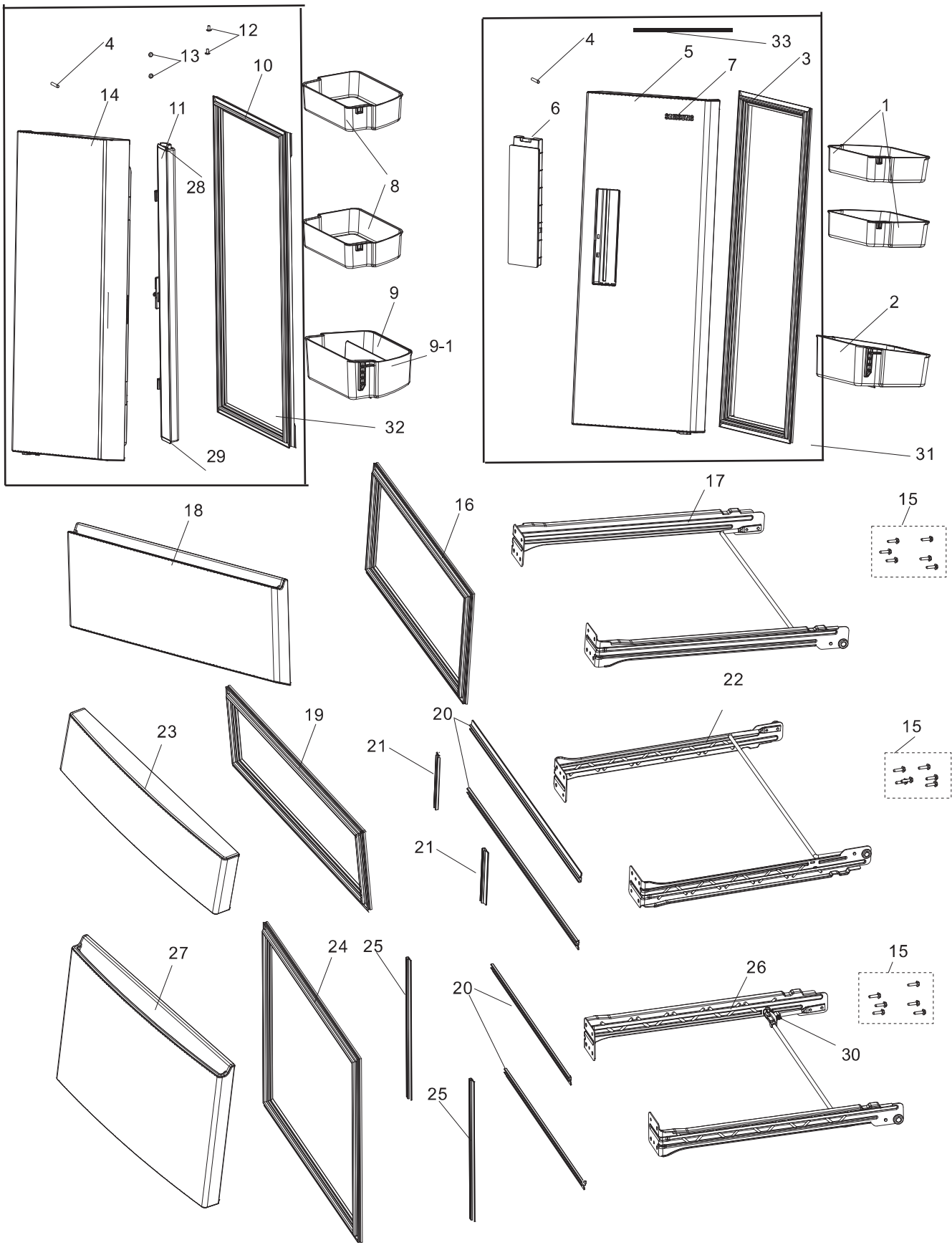


# 5 . EXPLODED VIEW& PARTS LIST

## 5-1-1) DOOR (RN415BRKASL/EF)

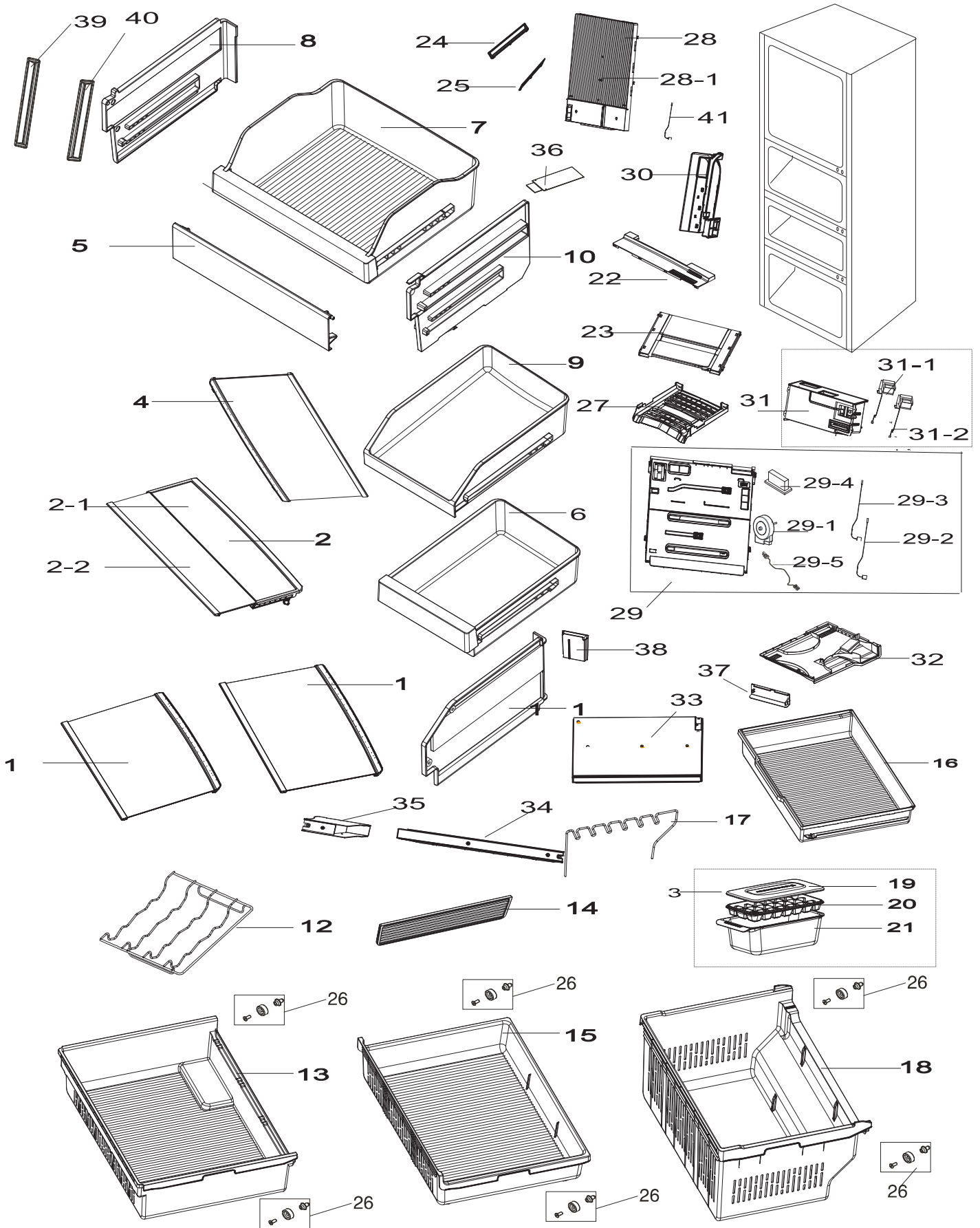


## Parts List of door

NO	CODE NO	PART NAME	Specification	Quantity	SA/SNA	SVC NO
1	DA63-06153A	GUARD EGG-R	RMK42,GPPS,T3	2	SA	A1124
2	DA63-06155A	GUARD BOTTLE-R	RMK42,GPPS,T3	1	SA	A1126
3	DA63-06179A	GASKET DOOR-REF,R	RMK42,PVC	1	SA	A1142
4	DA61-03099C	MAGNET	SWR52YNP,MAGNET,FE,T6,L30,	1	SNA	A0534
5	DA91-03801A	ASSY DOOR FOAM-REF-L	RN415BRKA	1	SA	-
6	DA92-00161D	ASSY PCB-DISPLAY	RN415BRKAAS	1	SA	A0264
7	DA64-04020A	MASCOT	ALL,NI,T0.05,L80	1	SA	M0196
8	DA63-06152A	GUARD EGG-L	RMK42,GPPS,T3	2	SA	A1123
9	DA97-12426A	ASSY GUARD BOTTLE-L	MULTI DOOR,ASSY	1	SA	Z1252
9-1	DA63-06154A	GUARD BOTTLE-L	RMK42,GPPS,T3	1	SA	A1125
10	DA63-06178A	GASKET DOOR-REF,L	RMK42,PVC	1	SA	A1143
11	DA97-11650B	ASSY-CENTER PILLAR	KHAN	1	SA	A1190
12	DA60-10130G	SCREW-TAPPING	TH,+,-,M4.2,L9.5,ZPC(WHT),	3	SNA	G0412
13	DA67-02991A	CAP-SCREW	RMK42,NY-66	2	SA	A0270
14	DA91-03800A	ASSY DOOR FOAM-REF-R	RN415BRKA	1	SA	-
15	DA61-02049A	FIXER-SCREW	SSEC,ZN(WHT),BOLT,6*16	6	SNA	-
16	DA63-06836A	GASKET DOOR-VEG	KHAN,PVC,GRAY	1	SA	A1223
17	DA97-11299A	ASSY FRAME-VEG	410DNTB	1	SA	A1030
18	DA91-03582A	ASSY DOOR FOAM-VEG	MULTI GLASS	1	SA	A1027
19	DA63-06836B	GASKET DOOR-SF	KHAN,PVC	1	SA	A1139
20	DA63-06800E	GASKET-INNER FRE V	KHAN,PVC,GRAY	2	SA	Z1247
21	DA63-06800G	GASKET-INNER SF V	KHAN,PVC,L112,GRAY	2	SA	Z1257
22	DA97-11297A	ASSY FRAME-SF	410DNTB	1	SA	A1036
23	DA91-03583A	ASSY DOOR FOAM-SF	MULTI GLASS	1	SA	A1034
24	DA63-06836C	GASKET DOOR-FRE	KHAN,PVC	1	SA	A0081
25	DA63-06800F	GASKET-INNER FRE V	KHAN,PVC,330,GRAY	2	SA	Z1247
26	DA97-11295A	ASSY FRAME-FRE	410DNTB	1	SA	A1040
27	DA91-03581A	ASSY DOOR FOAM FRE	MULTI GLASS	1	SA	A0051
28	DA63-06850A	GASKET-FRENCH-LOW	KHAN,SILICON,GRAY	1	SA	-
29	DA63-06851A	GASKET-FRENCH-UPP	KHAN,SILICON,GRAY	1	SA	-
30	DA61-03099A	MAGNET-H/B	N07-PJT,SSEC,MAGNET,FE,-,-,L1	1	SA	Z1156
31	DA90-07481B	ASSY DOOR-REF R	5D FLAT,EF	1	SNA	-
32	DA90-07482A	ASSY DOOR-REF L	RN415BRKA	1	SNA	-
33	DA62-03543A	SEAL-DOOR REF R	410DNT,OJC-3000,WHT,T5,W	1	SA	Z1248

# 5 . EXPLODED VIEW& PARTS LIST

## 5-1-2) INSERT

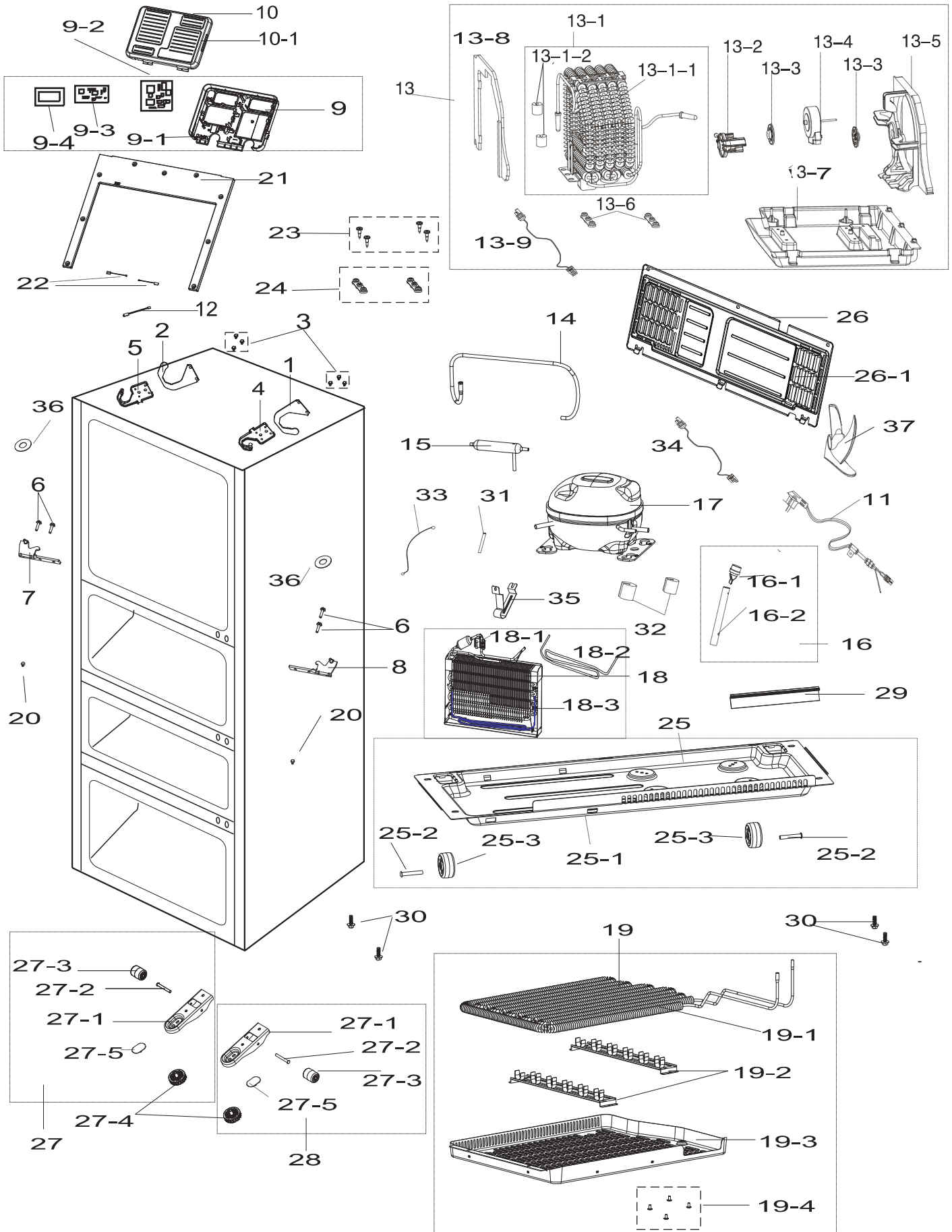


## Parts List of Insert

NO	CODE NO	PART NAME	Specification	Quantity	SA/SNA	SVC NO
1	DA97-11375B	ASSY SHELF-UP	410DNI	2	SA	A1130
2	DA97-11378B	ASSY SHELF-MID	410DNI	1	SA	A1145
2-1	DA97-11377B	ASSY SHELF-MOVE FR	410DNI	1	SNA	A1132
2-2	DA97-11963A	ASSY SHELF-M REAR	410DNIS	1	SNA	A1134
3	DA97-11656A	ASSY TRAY ICE	RMK42, GLASS	1	SA	A0105
4	DA97-11376B	ASSY SHELF-LOW	410DNI	1	SA	A0935
5	DA63-06228A	COVER VEG-REF	410DNT, GPPS, T2.5, NTR	1	SA	A1081
6	DA63-06147A	TRAY-LITTLE REF	410DNT, GPPS, T3, NTR	1	SA	A1061
7	DA63-06149A	TRAY-VEG REF	BCD-410DNT, GPPS, T3, NTR	1	SA	A1062
8	DA61-07033A	RAIL-TRAY REF L	410DNT, GPPS, T2.5, NTR	1	SA	A1056
9	DA63-06148A	TRAY EGG	410DNT, GPPS, T3, NTR	1	SA	A0656
10	DA61-07035A	RAIL-TRAY REF MID	410DNT, GPPS, T2.5, NTR	1	SA	A1058
11	DA61-07034A	RAIL-TRAY REF R	410DNT, GPPS, T2.5, NTR	1	SA	A1057
12	DA67-03470A	SHELF-WINE RACK	KHAN, Q195, OD6, ID4.5, W315	1	SA	-
13	DA63-06138A	TRAY-VEG	410DNT, PP, T2.8	1	SA	A0201
14	DA97-11218A	ASSY SHELF-SF	410DNTB, ABS	1	SA	A1137
15	DA63-06170A	TRAY-SF	RMK42, PP, T2.7	1	SA	A1063
16	DA63-06143A	TRAY FRE-UP	MULTI DOOR, GPPS, T2.8	1	SA	A0959
17	DA63-06144A	TRAY FRE-SPLIT	MULTI DOOR, CR-SCP2, OD5, L1	1	SA	A1060
18	DA63-06142A	TRAY FRE-LOW	410DNT, PP, T2.8	1	SA	A0216
19	DA63-06165A	COVER-TRAY ICE	RMK42, ABS, T2.5	1	SNA	M0431
20	DA63-06164A	TRAY ICE-WATER	410DNT, PP, T2.5	1	SNA	A1136
21	DA61-07507A	CASE BUCKET-ICE	410DNT, GPPS, T2.5, NTR	1	SNA	A1135
22	DA63-06199A	COVER-PARTITION R	410DNIS, HIPS, T2, COOL W	1	SA	A1070
23	DA97-12282A	ASSY DUCT-TOP, VEG	410DNIS	1	SA	-
24	DA63-06677A	COVER LAMP	RMK42, GPPS	2	SA	A0280
25	DA92-00143A	ASSY PCB KIT	12V, WHITE LED, MULT DOOR	2	SA	Z1144
26	DA97-11294A	ASSY ROLLER	410DNTB	6	SA	A1083
27	DA63-06671A	TRAY WATER-VEG	410DNIS, HIPS	1	SA	A1191
28	DA97-11661A	ASSY COVER MULTI REF	RMK42, GLASS	1	SA	A0680
28-1	DA32-00024N	SENSOR TEMP	MD-PJT, 5V, R-SENSOR, YELLOW	1	SA	A1018
29	DA97-11662A	ASSY COVER EVAP	410DNTB	1	SA	Z1020
29-1	DA31-00146E	MOTOR FAN-BLDC	DREP5020LB, BLDC Motor, 0.2	1	SA	M0198
29-2	DA32-00024Q	SENSOR TEMP	MD-PJT, 5V, M-SENSOR, WHITE	1	SA	A1018
29-3	DA32-00024R	SENSOR TEMP	MD-PJT, 5V, F-SENSOR, BROWN	1	SA	A1018
29-4	DA34-00053B	SWITCH-REED	JMK9-1, 10W, 200V, 0.5A, ON-26, O	1	SA	Z1142
29-5	DA96-00042A	ASSY W/HARNESS-MOTOR	A-TOP UL(MOTOR), C-F	1	SA	G0088
30	DA97-11663B	ASSY DUCT-SUCT SF	410DPIS, W99.9, L342.4, A	1	SA	A1192
31	DA97-11664A	ASSY COVER DAMPER-VEG	410DNTB, ASSY	1	SA	A1092
31-1	DA31-00272A	MOTOR DC-DAMPER	DC 12V, Max 60mA, MD-PJT, S	1	SA	G0242
31-2	DA31-00272B	MOTOR DC-DAMPER	DC 12V, Max 60mA, MD-PJT, S	1	SA	G0242
32	DA97-11877A	ASSY COVER DUCT-SF	410DNTB	1	SA	A1097
33	DA97-11379A	ASSY PARTITION-FRE	410DNTB	1	SA	A1112
34	DA97-11380A	ASSY CASE-FRONT, R	410DNTB	1	SA	A1116
35	DA97-11381A	ASSY CASE-FRONT, L	410DNTB	1	SA	A1119
36	DA67-02967A	CAP-SPACER PIPE	RMK42, ABS	1	SA	A1082
37	DA63-06160A	COVER-HEATER, F	410DN, PP, V0	1	SA	A1106
38	DA97-11876A	ASSY CAP-EVAP	410DNTB	1	SA	A1095
39	DA61-07814A	CASE LAMP-L	410DNT, HIPS, WHITE	1	SA	A1291
40	DA61-07815A	CASE LAMP-R	410DNT, HIPS, WHT	1	SA	A1292
41	DA32-00059A	SENSOR TEMP	KHAN, 5V, V-DUCT-SENSOR	1	SA	A1018

# 5 . EXPLODED VIEW&PARTS LIST

## 5-1-3) CABINET



## Parts List of Cabinet

NO	CODE NO	PART NAME	Specification	Quantity	SA/SNA	SVC NO
1	DA63-06955A	COVER HINGE-UP,R	KHAN,FLAT-STEEL,ABS,T2	1	SA	A0961
2	DA63-06950A	COVER HINGE-UP,L	KHAN,FLAT-STEEL,ABS,T2	1	SA	A0962
3	DA60-10124A	SCREW-HEX	HWH,-,-	4	SNA	T0072
4	DA61-08277A	HINGE-UP,R	KHAN,FLAT-STEEL,SCP1,T4	1	SA	A1105
5	DA61-08276A	HINGE-UP,L	KHAN,FLAT-STEEL,SCP1,T4	1	SA	A0960
6	DA61-02049A	FIXER-SCREW	SSEC,ZN(WHT),BOLT,6*16	6	SNA	-
7	DA61-07164B	HINGE-MID,R	410DNT,SCP1,T4	1	SA	A1193
8	DA61-07163B	HINGE-MID,L	410DNT,SCP1,T4	1	SA	A1194
9	DA97-11382D	ASSY CASE PCB-MAIN	KHAN,5D,600A,110V	1	SNA	A1138
9-1	DA61-07072A	CASE PCB-MAIN	410DNBT,ZRPP,GRAY,V0	1	SA	A1122
9-2	DA92-00142D	ASSY PCB MAIN	220V 50HZ,140mm*140mm,KHAN	1	SA	A0952
9-3	DA92-00308B	ASSY PCB SUB INVERTER	220V,R600a	1	SA	M0309
9-4	DA27-00021A	COIL FILTER-REACTOR	ES-PJT(INVERTER),7.5	1	SA	A1195
10	DA97-11875A	ASSY COVER-PCB MAIN	410DNBT	1	SA	M0243
10-1	DA63-06172A	COVER PCB-MAIN	RMK42,GI-SGCC,T0.4	1	SNA	Z1143
11	3903-000297	CBF-POWER CORD	EU,UCP-2,2P HOUSING & RIN	1	SA	A0273
12	DA32-00034B	SENSOR HUMIDITY	SHT20P,POLARIS,5V,1mA,0	1	SA	A1108
13	DA97-11348A	ASSY CHASSIS-CONDENSOR	410DNBT	1	SNA	A1144
13-1	DA97-11374A	ASSY PIPE SPIRAL COND	410DNT	1	SNA	M0474
13-1-1	DA97-11167A	ASSY CONDENSER-MAIN	RMK42,OD4.76	1	SNA	A1102
13-1-2	DA63-40171B	GROMMET-SUCT PIPE A	-,NBR,OD20,ID4,L20,-	2	SNA	M0333
13-2	DA61-03870A	BRACKET-CIRCUIT MOTOR	ES-PJT,SSEC,ABS,-,	1	SNA	A0908
13-3	DA63-01146A	GROMMET-MOTOR,REAR	A-TOP,NBR,-,-,-,ID6.5	1	SNA	M0179
13-4	DA31-00220A	MOTOR BLDC	12V,1550RPM,-,-,-,-,2.5W,ES	1	SA	A0998
13-5	DA61-07055A	SUPPORT-CIRCUIT MOTOR	RMK42,ABS,T2	1	SNA	A0907
13-6	DA63-40128A	GROMMET-SUB COND	-,NBR,-,-,-,-,-,DARK-	2	SNA	M0181
13-7	DA63-06163B	TRAY DRAIN-WATER	RMK42,PP,T2,BLACK	1	SA	Z1023
13-8	DA62-03052A	SEAL COND-SUB	410DNBT,FOAM-PE,T5	1	SNA	-
13-9	DA39-00484A	WIRE HARNESS-FAN	RMK42,DC	1	SA	Z1249
14	DA62-03060A	PIPE SUCTION-CONNECT	RMK42,CU,OD6.35	1	SNA	-
15	DA62-01469H	DRYER	W07,CU,OD19.0,T0.46,L110	1	SA	A0669
16	DA97-00359C	ASSY TUBE-DRAIN	RMK42,GLASS	2	SA	A1100
16-1	DA63-00951C	GROMMET-DRAIN HOSE	V2-PJT,NBR,BLACK	2	SNA	G0202
16-2	DA62-20001W	TUBE PVC	RMK42,PVC	2	SNA	A1101
17	MSV4A1AL1B/SJ1	COMPRESSOR	BLDC IPM,11.1CC,115/220V,STAI	1	SA	G0405
18	DA96-00805C	ASSY EVAP FRE	KHAN,Fin	1	SA	A0162
18-1	DA32-00024S	SENSOR TEMP	MD-PJT,5V,FD-SENSOR,BLUE	1	SA	A1018
18-2	DA47-00428A	HEATER-METAL SHEATH	MD-PJT,SSEC,210W,230	1	SA	A0921
18-3	DA47-00432A	THERMO FUSE-ASSY	MD-PJT,250V,10A,110℃,G4	1	SA	A1008
19	DA97-11371A	ASSY COVER-CONDENSOR	410DNBT	1	SA	Z1250
19-1	DA62-03056A	PIPE-SUB COND	410DNBT,SWST,OD4.76	1	SNA	-
19-2	DA61-07615A	BRACKET CONDENSER-SUB	410DNIS,CR-SCP1	2	SNA	-
19-3	DA63-06236A	COVER COND	RMK42,GI-SGCC,T1.2	1	SNA	-
19-4	6003-001136	SCREW-TAPTYPE	BH,+,-,B,M4,L8,ZPC(WHT),SW	9	SNA	M0210
20	DA67-00429U	CAP-SCREW	KHAN-PJT,PP,NOBLE STS	2	SA	A0270
21	DA64-03789A	TOP TABLE	410DNST,PP,NOBLE STS	1	SA	A1109
22	DA34-00046D	SWITCH-REED	KYESH,10W,200V,0.5A,L190,ON-	2	SA	Z1142
23	6009-001252	SCREW-SPECIAL	PH,+,-,M4.0,L20(12),ZPC(WH	4	SNA	T0035
24	DA63-40128A	GROMMET-SUB COND	-,NBR,-,-,-,-,-,DARK-	2	SNA	M0181

Parts List of Cabinet

NO	CODE NO	PART NAME	Specification	Quantity	SA/SNA	SVC NO
25	DA97-11355A	ASSY CHASSIS COMP	410DNTB	1	SA	A0526
25-1	DA64-03787A	CHASSIS COMP	RMK42,GI-SGCC,T1.2	1	SNA	A0739
25-2	DA60-90146A	PIN-CASTER	MSWR10,OD6.0,L40,ZPC2,SR-	2	SNA	-
25-3	DA61-40126B	CASTER-REAR	REF-ALL,PP,-,PI 44,NTR,W22,-	2	SNA	A0527
26	DA97-11354A	ASSY COVER COMP	410DNTB	1	SA	M0076
26-1	DA63-06166A	COVER COMP	410DNT,GI-SGCC,T0.4	1	SNA	Z1131
27	DA97-11349A	ASSY HINGE LOW-L	410DNTB	1	SA	M0245
27-1	DA61-07053A	HINGE-LOW	RMK42,SCP1,T1.8,CREAMY	2	SNA	A0247
27-2	DA60-90124A	RIVET	-,MSWR10,OD6.0,-,-,L56,-,-,-	2	SNA	-
27-3	DA61-02514A	CASTER-FRONT	N-PJT,SSEC,PP,ID6.2,OD29.5,	2	SNA	M0145
27-4	DA61-07054A	FOOT-FRONT	RMK42,PP	2	SNA	A0577
27-5	DA67-03181A	CAP-HINGE-LOW	410DNT,ABS,T1.7,W31,L51,Cr	2	SNA	A1111
28	DA97-11350A	ASSY HINGE LOW-R	410DNTB	1	SA	M0246
29	DA64-03782A	TRIM-BLADE,BOTT	RMK42,PVC,T1.5	1	SNA	-
30	DA61-01867A	BRACKET-COMP	A-TOP,GI-SGCC,T2.0	4	SNA	-
31	DA73-00050G	PIPE-CONN	TP2(M),ID5.15,OD6.35,T0.6	1	SA	-
32	DA63-40237G	GROMMET-DISCHARGE	ID4.0 OD32 H20,NR,-,-,	2	SA	Z1132
33	DA39-20326V	WIRE HARNESS-EARTH	UL WIRE,18AWG,115mm,Y	1	SC	A0562
34	DA39-00485A	WIRE HARNESS-RELAY	RMK42	1	SA	A0574
35	DA61-03925A	CLIP-DRYER	ES-PJT,SSEC,SECC1,T0.4,-,-	1	SA	Z1177
36	DA60-00304A	FITTING-WASHER	KHAN,FLAT DOOR,NY-6,T0.5,	2	SA	-
37	DA31-00010D	FAN-ASS'Y	ET,ZIPEL,ABS+GLASSFIBER,UNI	1	SA	-