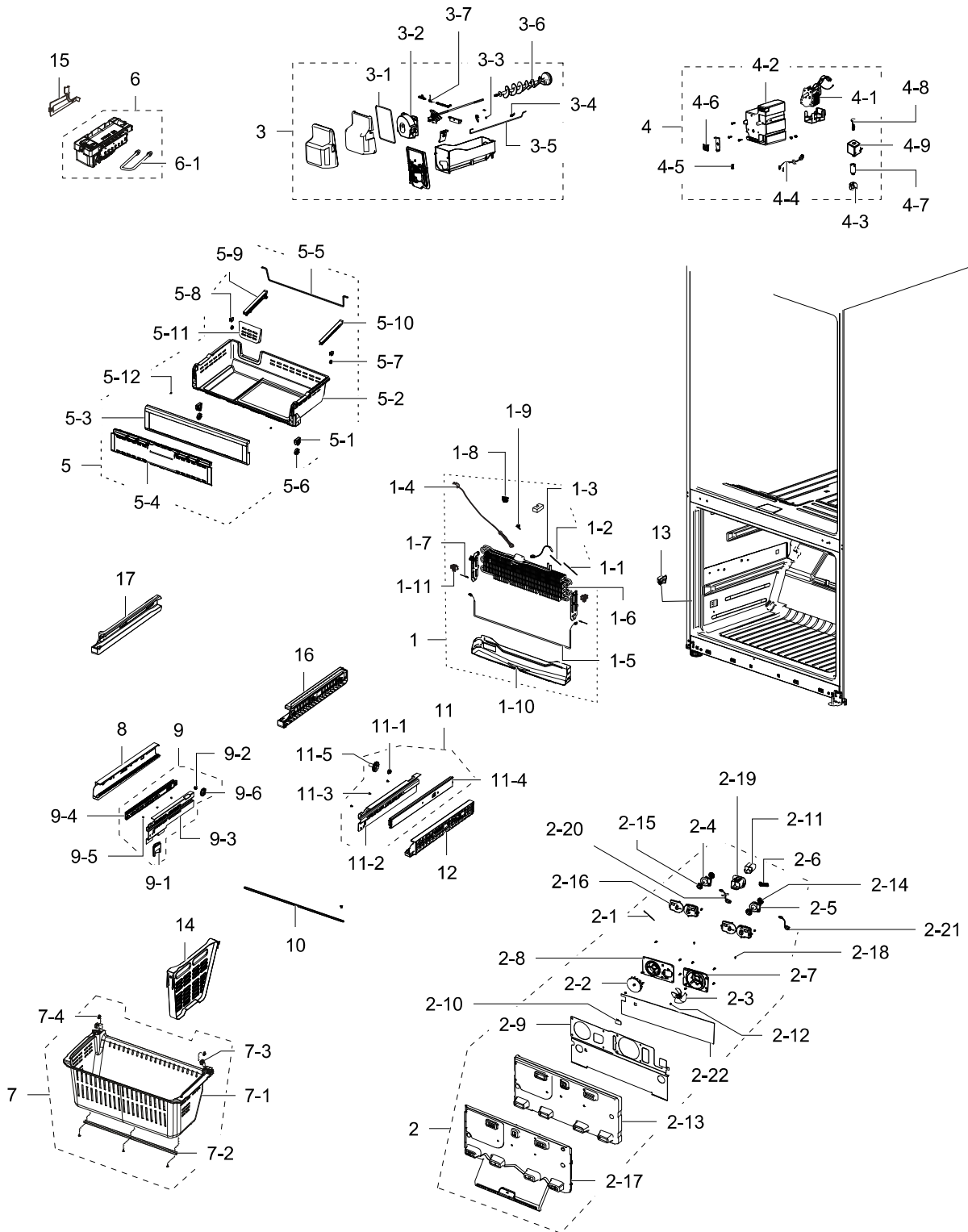


1. Freezer

Exploded View



Parts List

No.	Lvl.	Loc.	Material Code	Description & Specification	SNA	Qty.
1	2	RF011	DA96-00981A	ASSY EVAP-FRE; AW2-CD,FIN TUBE,AL,230V,20	SA	1
1-1	3	RR970	6501-000123	CABLE TIE; -,3.6,146,NYLON	SNA	1
1-2	3	RR971	6501-000124	CABLE TIE; DA-200,T1.2,W4.5,L213.2,NTR,NY	SNA	2
1-3	3	RG108	DA32-00006S	SENSOR TEMP; PX-41C, 502AT,AW-PJT,-40~110	SA	1
1-4	3	RR341	DA47-00301B	THERMO FUSE-ASSY; AC250V,10A,109~110S	SA	1
1-5	3		DA47-00318D	HEATER METAL SHEATH; AC230V,AW2-CD FRE, 2	SA	1
1-6	3	RF326	DA59-00548A	EVAP FRE; AW2-CD,FIN TUBE,AL	SNA	1
1-7	3	RO152	DA60-90005A	FASTENER-RIVET; AL 5052(ALMg2.5),AL,DIA-3	SNA	2
1-8	3	RG124	DA61-02901A	FIXER-SENSOR EVAP; CORE-PJT,PP,-,NTR,-	SA	1
1-9	3	RR042	DA61-03644A	PLATE-EVAP HEATER; AW-PJT,AL,T0.7,-,-,-,-	SA	1
1-10	3	RO363	DA61-04225A	PLATE-DRAIN FRE; AW2-PJT,GALVANUME,T0.3,-	SA	1
1-11	3	RK201	DA61-05845A	FIXER-HEATER FRE; AW3-PJT,PBT,NTR	SA	1
2	2	RF005	DA97-07818D	ASSY COVER-EVAP FRE ICE; AW2-CD,NTR,230V	SA	1
2-1	3	RR970	6501-000123	CABLE TIE; -,3.6,146,NYLON	SNA	1
2-2	3	RK183	DA31-00123A	FAN-BACKWARD; USP 05,ABS,HP0760/2.0mmAq/0	SC	1
2-3	3	RR030	DA31-00124A	FAN-AX100W4CC-T1; -,TD-PJT,ABS,-,-	SA	1
2-4	3	RR087	DA31-00146H	MOTOR BLDC; DREP5020LC,2950,12V,175mA,2.1	SC	1
2-5	3	RF431	DA31-00146E	MOTOR BLDC FAN; 3.2,2520 RPM,DC 12V,DREP5	SA	1
2-6	3	RF157	DA47-00261J	HEATER CORD-DUCT FRE; AC230V,AW2-CD, 7557	SA	1
2-7	3	RF120	DA61-03183A	CASE-MOTOR FRE; AW-PJT,BUBBLE PP,-,-,-,NT	SA	1
2-8	3	RF158	DA61-03617A	CASE-MOTOR FRE ICE; AW-PJT,PP,NTR	SA	1
2-9	3	RF156	DA61-05328A	PLATE-INS EVAP FRE ICE; AW2-TIM,SAZCC,T0.	SA	1
2-10	3		DA61-03627A	PLATE-DRAIN FAN; AW-PJT,AL,T0.8,-,-,-,-	SNA	1
2-11	3	RF160	DA61-04346A	PLATE-DRAIN ICE; AW2-PJT,GA,T0.3,-,-,-,-	SNA	1
2-12	3	RR053	DA61-20128A	SPRING ETC-FAN; STS304,PI8.8,ID7.8,OD9.8,	SA	1
2-13	3	RF284	DA62-02247A	INSULATION-EVAP FRE ICE; AW2 GE,PS FOAM	SA	1
2-14	3	RO138	DA63-01146A	GROMMET-MOTOR,REAR; A-TOP,NBR,BLACK,BLDC	SA	1
2-15	3	RO545	DA63-01808A	GROMMET MOTOR; BLDC,NBR,BLACK,H20	SA	1
2-16	3	RF455	DA63-01809B	COVER MOTOR-BLDC; AT,PP,NTR,CNTK-P-100,PP	SA	1

No.	Lvl.	Loc.	Material Code	Description & Specification	SNA	Qty.
2-17	3	RF283	DA63-05125A	COVER-EVAP FRE ICE; AW1 BEST,PP,NTR	SA	1
2-18	3	RR066	DA63-40167A	GROMMET-COVER CHIL; SIL16,WHITE	SA	1
2-19	3	RF164	DA67-02016A	DUCT-ICE SUB; AW2-PJT,HIPS,NTR	SNA	1
2-20	3	RR928	DA96-00042D	ASSY W/HARNES-MOTOR; ALL,12VDC,ALL,UL,AL	SA	1
2-21	3	RR933	DA96-00042N	ASSY W/HARNES-MOTOR; ALL,12VDC,UL+HEC,UL	SA	1
2-22	3	RF154	DA62-01526B	SEAL-COVER EVAP FRE; AW-PJT,FOAM-PE+AL,-,	SA	1
3	2	RF304	DA97-11118A	ASSY TRAY-ICE BUCKET; AW_CD-PJT,WHT,CD	SA	1
3-1	3	RM037	DA63-03737A	GASKET-COVER ICE BUCKET; AW-PJT,SI,1.0,73	SA	1
3-2	3	RF247	DA63-05563A	COVER-CRUSHER; AW3-PJT,HIPS,NTR	SA	1
3-3	3	RI297	DA67-01719A	CAP-LEVER ICE BUCKET; AW-PJT,ABS,HF-0660I	SA	1
3-4	3	RM039	DA61-20124D	SPRING ETC-DISPENSER; AW-BEST-GE-OEM,STS3	SA	1
3-5	3	RF145	DA66-00478D	LEVER-CUBE; AW-PJT,STS304,OD4.5,L369	SA	1
3-6	3	RF268	DA97-07840B	ASSY-CLAMPER CORE HELIX; AW2 CD-PJT,STS30	SA	1
3-7	3		DA61-03506A	SPRING ETC-COVER BUCKET; AW-PJT,STS304,1.	SA	1
4	2	RF416	DA97-05246L	ASSY CASE-AUGER MOTOR; AW2-CD,220-240V/50	SA	1
4-1	3	RF434	DA31-00105F	MOTOR GEARED AC AUGER; ISG3240SSH-1,220/2	SA	1
4-2	3	RF417	DA61-03517A	CASE-AUGER MOTOR; AW-PJT,HIPS,NTR	SA	1
4-3	3	RR106	DA61-60001A	SLIDER-SOLENOID DISP; SSED PJT,POM,WHITE	SA	1
4-4	3	RM035	DA96-00036Y	ASSY W/HARNES-SUB EM; FDR,FREE VOLT,UL+I	SA	1
4-5	3	RR109	DA61-20140A	SPRING ETC-SOLENOID; SR-S7180,STS304,PI7.	SA	1
4-6	3	RM031	DA71-00163A	FIXER-NUT; ZIPEL,STS420,T1,-,CLIP,STS420-	SA	1
4-7	3	RR107	DA63-90008A	BUSH-SOLENOID; -,POM,-,-,-,SC-93438R,-	SA	1
4-8	3	RR108	DA66-90003A	GEAR-SOLENOID; POM,-,-,-,-,SC-93438R	SA	1
4-9	3	RO088	DA74-40151F	VALVE COIL SOLENOID; AC220-240V,-,SOLENOI	SA	1
5	2	RI242	DA97-07534K	ASSY TRAY-FRE UPP; AW2 CD,COOL WHITE,PRIN	SA	1
5-1	3	RF155	DA61-04154A	FIXER-ROLLER TRAY FRE UPP; AW-PJT,PA,1.8,	SA	2
5-2	3	RI691	DA63-04939A	TRAY-FRE UPP; AW2 CD,HIPS,COOL WHITE	SA	1

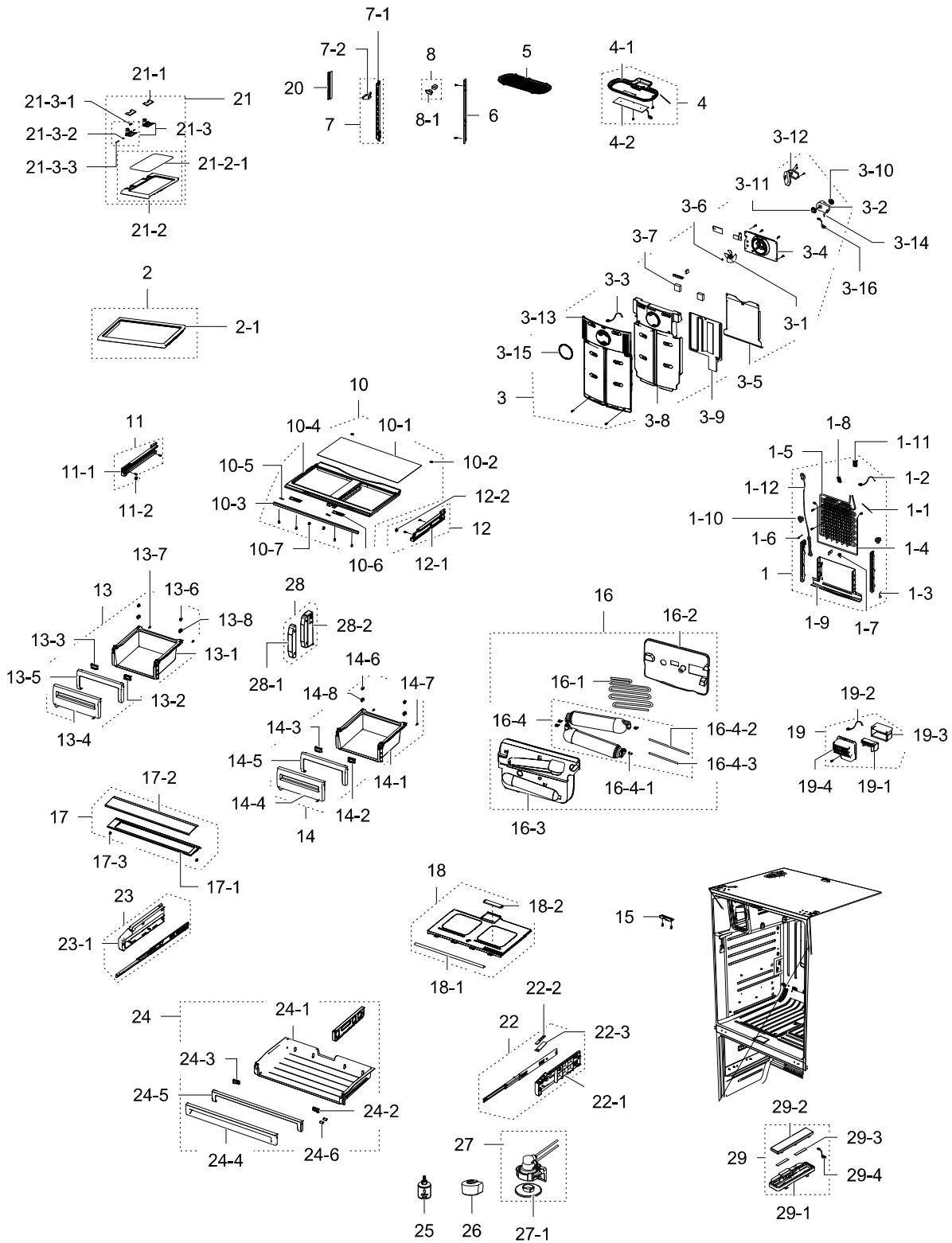
Exploded Views and Parts List

No.	Lvl.	Loc.	Material Code	Description & Specification	SNA	Qty.
5-3	3	RF522	DA63-04252C	COVER-TRAY FRE UPP A; AW2,HIPS,COOL WHITE	SA	1
5-4	3	RI687	DA63-04253A	COVER-TRAY FRE UPP B; AW2,GPPS,-,-,-,-,-,	SNA	1
5-5	3	RU494	DA66-00816A	SHAFT-TRAY FRE UPP; AW2,HIPS,L738,H111.6,	SA	1
5-6	3	RF151	DA66-00554A	ROLLER-TRAY FRE UPP; AW-PJT,POM,NATURAL,P	SA	2
5-7	3	RR069	DA66-10104A	ROLLER-FRE; POM,-,-,D22,-,-,-,	SC	2
5-8	3	RR071	DA71-20145A	FIXER-ROLLER; -,PA,-,-	SC	2
5-9	3	RF264	DA61-05186A	GUIDE-TRAY FRE UPP L; AW2 CD,ABS,HB,HG-07	SA	1
5-10	3	RF263	DA61-05185A	GUIDE-TRAY FRE UPP R; AW2 CD,ABS,HB,HG-07	SA	1
5-11	3	RU205	DA67-02285A	CAP-TRAY FRE UPP; AW2 CD,HIPS,-,-,-,COOL	SA	1
5-12	3	RU495	DA67-02795C	CAP-SHAFT HOLE; AW3,ABS,HG-0760GP,COOL WH	SA	2
6	2	RM061	DA97-07592B	ASSY ICE MAKER; AW-PJT,230V,50Hz	SA	1
6-1	5		DA47-00178A	HEATER-ICEMAKER; AC230V,7CUBE, 365ohm,145	SNA	1
7	2		DA97-07533B	ASSY TRAY DRAWER; AW2-CD-14	SA	1
7-1	3		DA63-04940B	TRAY DRAWER-BOX; AW2-CD-14,PP,COOL WHITE	SA	1
7-2	3	RI181	DA61-03160A	REINF-DRAWER BOX; AW-PJT,SHP1,T2.0,BLACK	SA	1
7-3	3	RR071	DA71-20145A	FIXER-ROLLER; -,PA,-,-	SC	2
7-4	3	RR069	DA66-10104A	ROLLER-FRE; POM,-,-,D22,-,-,-,	SC	2
8	2	RI223	DA63-04942A	COVER-RAIL LOW L; AW2 CD,ABS,-,-,-,-,-,CO	SA	1
9	2	RI171	DA97-13261A	ASSY RAIL-SLIDE LOW L; AW2-CD,WHITE,SCP1	SA	1
9-1	3	RO151	DA34-00047B	SWITCH PRESSURE; AW-PJT,ABS,COOL WHITE	SA	1
9-2	3	RR040	DA61-03154A	FIXER-GEAR; AW-PJT,POM,-,-,NTR,-	SA	1
9-3	3	RD094	DA61-05189A	HANGER-RAIL LOW L; AW2 CD,SECC1,T1.6,COOL	SNA	1
9-4	3	RI184	DA61-08818A	RAIL-SLIDE LOW L; AW2-CD,SCP1,ZPC2,ASSY	SA	1
9-5	3		DA61-02264A	RAIL-BRACKET,RIVET; HNR3117/XAA,C3771BE,-	SNA	3
9-6	3	RR382	DA66-00751A	GEAR-RAIL L; AW-PJT,POM,NTR	SA	1
10	2	RI244	DA66-00437B	SHAFT-GEAR; AW2,SM25C,715.1,-,-,-,BLACK E	SA	1
11	2	RG144	DA97-13262A	ASSY RAIL-SLIDE LOW R; AW2-CD,WHITE,SCP1	SA	1
11-1	3	RR040	DA61-03154A	FIXER-GEAR; AW-PJT,POM,-,-,NTR,-	SA	1
11-2	3	RD095	DA61-05190A	HANGER-RAIL LOW R; AW2 CD,SECC1,T1.6,COOL	SNA	1

No.	Lvl.	Loc.	Material Code	Description & Specification	SNA	Qty.
11-3	3		DA61-02264A	RAIL-BRACKET,RIVET; HNR3117/XAA,C3771BE,-	SNA	3
11-4	3	RI185	DA61-08819A	RAIL-SLIDE LOW R; AW2-CD,SCP1,ZPC2,ASSY	SA	1
11-5	3	RR381	DA66-00750A	GEAR-RAIL R; AW-PJT,POM,NTR	SA	1
12	2	RI224	DA63-04941A	COVER-RAIL LOW R; AW2 CD,ABS,-,-,-,-,CO	SA	1
13	2	RF041	DA34-10120E	SWITCH DOOR-F; AC125V/250V,1.5/0.5,SLIDE	SA	1
14	2		DA61-05188B	GUIDE-FRE; AW2-CD-14,PP,HB,BJ750,COOL WHI	SA	1
15	2	RM038	DA63-04972A	COVER-HARNES ICE ROOM; AW2 CD,ABS,T 2.5,	SA	1
16	3	RF192	DA61-05238A	RAIL-FRE UPP R; AW2 CD,HIPS,COOL WHITE,S-	SA	1
17	3		DA61-05251A	RAIL-FRE UPP L; AW2 CD,HIPS,COOL WHITE,	SA	1

2. Refrigerator

Exploded View



Parts List

No.	Lvl.	Loc.	Material Code	Description & Specification	SNA	Qty.
1	2	RI016	DA96-00762T	ASSY EVAP-REF; AW,230V / 100W	SA	1
1-1	3	RR970	6501-000123	CABLE TIE; -,3.6,146,NYLON	SNA	1
1-2	3	RG108	DA32-00006S	SENSOR TEMP; PX-41C, 502AT,AW-PJT,-40~110	SA	1
1-3	3	RR051	DA61-06013B	FIXER-WIRE; AW3-PJT,PP,NTR	SA	1
1-4	3		DA47-00244V	HEATER METAL SHEATH; AC230V,AW2-11 REF, 5	SA	1
1-5	3	RI496	DA59-00399A	EVAP REF; Fin Tube,AW3	SNA	1
1-6	3	RO152	DA60-90005A	FASTENER-RIVET; AL 5052(ALMg2.5),AL,DIA-3	SNA	2
1-7	3	RR042	DA61-03644A	PLATE-EVAP HEATER; AW-PJT,AL,T0.7,-,-,-,-	SA	1
1-8	3	RK213	DA61-03683A	FIXER-SENSER; AW-PJT,PP,-,NTR,FH-44N	SA	1
1-9	3	RF389	DA61-06186B	PLATE-DRAIN REF; AW3-PJT,AL,T0.3	SA	1
1-10	3	RK205	DA61-05835B	FIXER-HEATER REF; AW3-PJT,PBT,NTR	SA	2
1-11	3	RF217	DA61-05160A	FIXER-FUSE; CULLI_09,PP,NATURAL,HB,BJ750	SA	1
1-12	3	RR036	DA47-00301D	THERMO FUSE-ASSY; AC250V,10A,109~110S	SA	1
2	2	RI349	DA97-07559A	ASSY SHELF-INSERT REF FIX; AW2 CD,-	SA	3
2-1	3	RI547	DA67-02288A	SHELF-INSERT REF FIX; AW2 CD,PP,COOL WHIT	SNA	3
3	2	RI008	DA97-11772B	ASSY COVER EVAP-REF; AW2-11, Pantry	SA	1
3-1	3	RR030	DA31-00124A	FAN-AX100W4CC-T1; -,TD-PJT,ABS,-,-	SA	1
3-2	3	RR087	DA31-00146H	MOTOR BLDC; DREP5020LC,2950,12V,175mA,2.1	SC	1
3-3	3	RR031	DA32-10105X	SENSOR TEMP; PX-41C,QUEEN PJT,-10,5V,F-SE	SA	1
3-4	3		DA61-05890C	CASE MOTOR-REF; AW2-ND,ABS,GRAY,CNTKA-204	SA	1
3-5	3	RG110	DA61-03186C	PLATE-INS EVAP REF; AW-PJT,AL,T0.3	SA	1
3-6	3	RR053	DA61-20128A	SPRING ETC-FAN; STS304,PI8.8,ID7.8,OD9.8,	SA	1
3-7	3	RI236	DA62-01423A	INSULATION-EVAP DUCT; AW-PJT,PS FOAM,T20,	SNA	2
3-8	3	RG149	DA62-03361A	INSULATION EVAP-REF; AW2-11,PS FOAM,NTR	SNA	1
3-9	3		DA62-02518A	INSULATION EVAP-REAR; AW2-ND,PS FOAM,33,2	SNA	1
3-10	3	RO138	DA63-01146A	GROMMET-MOTOR,REAR; A-TOP,NBR,BLACK,BLDC	SA	1
3-11	3	RO545	DA63-01808A	GROMMET MOTOR; BLDC,NBR,BLACK,H20	SA	1
3-12	3	RF455	DA63-01809B	COVER MOTOR-BLDC; AT,PP,NTR,CNTK-P-100,PP	SA	1
3-13	3	RG175	DA63-04218A	COVER-EVAP REF; AW2-PJT,PP,-,-,-,-,COOL	SNA	1
3-14	3	RR066	DA63-40167A	GROMMET-COVER CHIL; SIL16,WHITE	SA	1

Exploded Views and Parts List

No.	Lvl.	Loc.	Material Code	Description & Specification	SNA	Qty.
3-15	3	RG155	DA64-02065A	TRIM-COVER EVAP REF; AW-PJT,ABS,-,-,-,COO	SNA	1
3-16	3	RY716	DA39-00060K	ASSY WIRE HARNESS-MOTOR; ALL,12VDC,UL+IEC	SA	1
4	2	RI246	DA97-08783B	ASSY CASE LAMP-REF; AW2,LED 18EA	SNA	1
4-1	3	RI544	DA61-06190B	CASE LAMP-REF; AW2,HIPS,COOL WHITE(SC-027	SNA	1
4-2	3	RR950	DA96-00398J	ASSY LAMP LED; 18ea,CEM-1,298*100,WHITE,3	SA	1
5	2	RG025	DA63-05612A	COVER LAMP-REF; AW2,SAN,NTR	SA	1
6	2	RI301	DA61-04329A	ANGLE-SHELF REF SIDE R; AW2(PANTRY),SECC1	SA	1
7	2	RI288	DA97-06372A	ASSY-ANGLE SHELF REF MID; AW2,-,-,-	SA	1
7-1	3		DA61-04322C	ANGLE-SHELF REF MID; AW-PANTRY,EGI-SECC,T	SA	1
7-2	3	RI303	DA61-04321A	SUPPORT-HANGER; AW2,SECC1,T1.6,-,-,COOL W	SA	1
8	2	RF197	DA97-07046A	ASSY CAP-ANGLE; NW2,ASSY,-,-,-,HIPS,COO	SA	1
8-1	3	RI298	DA67-01688A	CAP-ANGLE; AW-PJT,HIPS,COOL WHITE	SA	1
10	2	RI449	DA97-07565B	ASSY COVER-VEG REF; AW2-CD PJT,REINF T2.0	SA	1
10-1	3	RR207	DA01-00524A	GLASS-COVER VEG REF; W789.4,D276.5,T3.2	SNA	1
10-2	3	RI208	DA61-03166A	FIXER-COVER VEG; AW,POM,WHITE,HB,K300	SA	2
10-3	3	RI209	DA61-05222B	REINF-COVER VEG; AW2 CD,SHP1,T2.0,BLACK	SA	1
10-4	3	RI579	DA63-04956A	COVER-VEG REF; AW2 CD,HIPS,-,-,-,-,COOL	SNA	1
10-5	3	RI262	DA64-00817A	KNOB-HUMIDITY; QUEEN,ABS,-,-,-,-,-	SA	2
10-6	3	RR164	DA66-00438A	LEVER-HUMIDITY; AW,ABS,COOL WHITE	SA	2
10-7	3	RR069	DA66-10104A	ROLLER-FRE; POM,-,-,D22,-,-,-	SC	2
11	2	RR846	DA97-07564A	ASSY RAIL-VEG L; AW2-CD PJT,-,-,-,-,-	SA	1
11-1	3	RR206	DA61-05208A	RAIL-VEG L; AW2 CD,HIPS,COOL WHITE	SA	1
11-2	3	RR069	DA66-10104A	ROLLER-FRE; POM,-,-,D22,-,-,-	SC	2
12	2	RR848	DA97-07563A	ASSY RAIL-VEG R; AW2-CD PJT,-,-,-,-,-	SA	1
12-1	3	RR204	DA61-05209A	RAIL-VEG R; AW2 CD,HIPS,COOL WHITE	SA	1
12-2	3	RR069	DA66-10104A	ROLLER-FRE; POM,-,-,D22,-,-,-	SC	2
13	2	RG169	DA97-07561B	ASSY CASE-VEG REF L; AW2 CD,NTR,GPPS	SA	1
13-1	3		DA61-05210B	CASE-VEG L; AW2 CD,GPPS,NTR	SC	1
13-2	3		DA61-04294A	SUPPORT-TRIM VEG R; AW2-PJT,HIPS,-,-,-,CO	SNA	1
13-3	3		DA61-04295A	SUPPORT-TRIM VEG L; AW2-PJT,HIPS,-,-,-,CO	SNA	1
13-4	3	RI355	DA63-04282B	COVER-VEG FRONT L; AW2-PJT,GPPS,COOL-WHIT	SA	1
13-5	3	RI354	DA63-04283A	COVER-VEG TRIM L; AW2-PJT,HIPS,HB,COOL WH	SNA	1

No.	Lvl.	Loc.	Material Code	Description & Specification	SNA	Qty.
13-6	3	RR250	DA71-20277A	FIXER-ROLLER; SR-62,PA66,T2.0	SA	2
13-7	3	RI220	DA63-02750A	GROMMET-COVER SLIDE; ET05-PJT,SI,WHITE	SA	2
13-8	3	RR071	DA71-20145A	FIXER-ROLLER; -,PA,-,-	SC	2
14	2	RG168	DA97-07562B	ASSY CASE-VEG REF R; AW2 CD,NTR,GPPS	SA	1
14-1	3		DA61-05211B	CASE-VEG R; AW2 CD,GPPS,NTR	SA	1
14-2	3		DA61-04294A	SUPPORT-TRIM VEG R; AW2-PJT,HIPS,-,-,-,CO	SNA	1
14-3	3		DA61-04295A	SUPPORT-TRIM VEG L; AW2-PJT,HIPS,-,-,-,CO	SNA	1
14-4	3	RI357	DA63-04284B	COVER-VEG FRONT R; AW2-PJT,GPPS,COOL-WHIT	SA	1
14-5	3	RI356	DA63-04285A	COVER-VEG TRIM R; AW2-PJT,HIPS,-,-,-,-,-	SNA	1
14-6	3	RR250	DA71-20277A	FIXER-ROLLER; SR-62,PA66,T2.0	SA	2
14-7	3	RI220	DA63-02750A	GROMMET-COVER SLIDE; ET05-PJT,SI,WHITE	SA	2
14-8	3	RR071	DA71-20145A	FIXER-ROLLER; -,PA,-,-	SC	2
15	2	RI211	DA61-04285A	GUIDE-FRENCH; AW2-PJT,ABS+PC,HR-1008B,COO	SA	1
16	2		DA97-07129H	ASSY COVER WATER TANK; AW2-CD,ASSY	SA	1
16-1	3	RI045	DA47-00295A	HEATER-WATER TANK; DC12V,AW, 72ohm,2W,PVC	SA	1
16-2	3	RM036	DA63-04674A	COVER-HEATER WATER TANK; AW-PJT,PP,-,-,-,	SA	1
16-3	3	RG171	DA63-04889A	COVER-TANK WATER; AW2,PP,-,-,-,-,-,COOL W	SA	1
16-4	3	RI043	DA97-07150E	ASSY TANK WATER; AW2-CD,Ass'y	SA	1
16-4-1	4	RR093	DA61-04521A	CLIP-FITTING LOCK; AW,POM,-,-,-,5/16inch	SA	4
16-4-2	3	RK423	DA62-01368A	PIPE-WATER LINE; LLDPE,WHITE,I.D4.2, O.D6	SNA	5
16-4-3	4	RR112	DA62-01368U	PIPE-WATER LINE; AW,LLDPE,-,7.93,1600,-,W	SA	1
17	2	RI192	DA97-07521A	ASSY COVER-SLIDE PANTRY; AW2 CD,-,-,-,-,-	SA	1
17-1	3	RI200	DA63-04934A	COVER-SLIDE PANTRY B; AW2 CD,ABS,-,-,-,-,	SA	1
17-2	3	RI199	DA63-04935A	COVER-SLIDE PANTRY A; AW2 CD,SAN,-,-,-,-,	SA	1
17-3	3	RR069	DA66-10104A	ROLLER-FRE; POM,-,-,-,D22,-,-,-,	SC	2
18	2	RI195	DA97-07522B	ASSY SHELF-PANTRY; AW2 CD,NO LED	SA	1
18-1	3	RI204	DA61-03174A	REINF-SHELF PANTRY; AW-PJT,EGI-SECC,T1.2,	SA	1
18-2	3	RR198	DA67-02284A	CAP-SHELF PANTRY; AW2 CD,HIPS,-,-,-,-,COOL	SA	1
19	2	RI292	DA97-06324C	ASSY COVER-MOTOR DAMPER; AW2-PJT,NTR,0.5W	SA	1
19-1	3		DA31-00071G	MOTOR DC-DAMPER; DC12V,MAX 60mA,AW	SA	1
19-2	3	RI270	DA32-00006R	SENSOR TEMP-PANTRY; DKST1329GW,PX-41C, 50	SA	1
19-3	3	RI228	DA62-01380A	INSULATION-MOTOR DC DAMPER; AW-PJT,PS FOA	SA	1

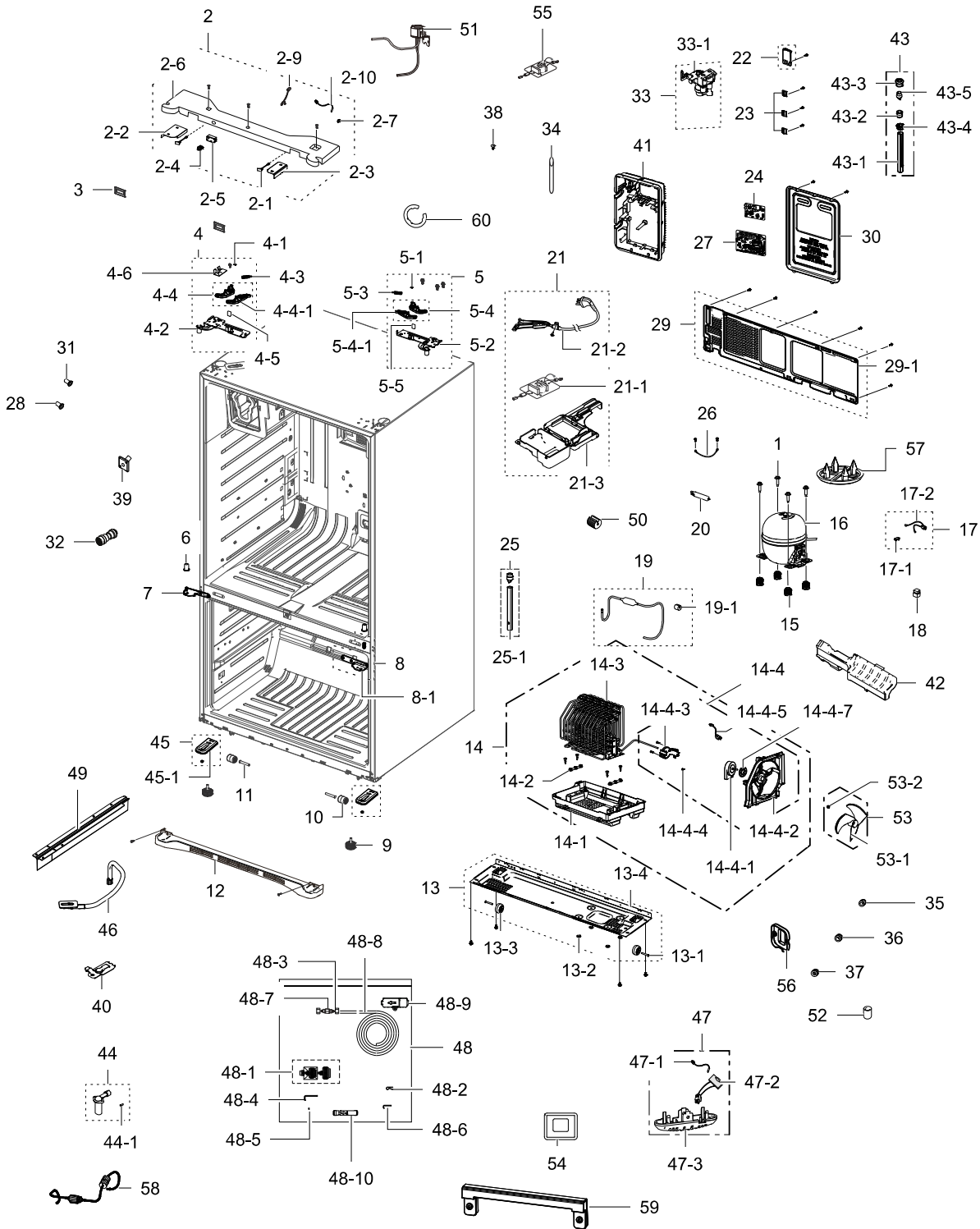
Exploded Views and Parts List

No.	Lvl.	Loc.	Material Code	Description & Specification	SNA	Qty.
19-4	3	RF423	DA63-04274B	COVER-MOTOR DC DAMPER; AW2-PJT,PP,NTR	SA	1
20	2	RI300	DA61-04330A	ANGLE-SHELF REF SIDE L; AW2(PANTRY),SECC1	SA	1
21	2	RI287	DA97-07560B	ASSY SHELF-INSERT REF FOLD; AW2 CD,DELETE	SC	1
21-1	3	RI306	DA61-03571A	HINGE-SHELF-BODY-UPP; AW-PJT,PC,40,75	SA	2
21-2	3	RR218	DA67-02303B	SHELF-INSERT REF FOLD; AW2 CD,PP,T 2.5,CO	SA	1
21-2-1	4	RR219	DA01-00523B	GLASS-SHELF INSERT REF FOLD; T3.2,GLASS	SNA	1
21-3	3	RI294	DA97-05251B	ASSY HINGE-SHELF; AW-PJT,-,40,75,COOL-WHT	SA	2
21-3-1	4		DA61-03705A	SPRING ETC-HINGE SHELF; AW BEST,STS304,	SA	4
21-3-2	4		DA66-00482A	ROLLER-HINGE-SHELF; AW-PJT,POM,6,WHT	SA	2
21-3-3	4		DA66-00483A	SHAFT-HINGE-SHELF; AW-PJT,STS304,38,4.0,-	SA	2
22	2	RI191	DA97-07527B	ASSY COVER-RAIL PANTRY R; AW2 CD,EUROPE	SA	1
22-1	3	RI198	DA63-04937A	COVER-RAIL PANTRY R; AW2 CD,HIPS,COOL WHI	SA	1
22-2	3	RR560	DA41-00618A	ASSY PCB KIT; AW CD-PJT,PANTRY ROOM TACT,	SA	1
22-3	3	RF163	DA64-02903B	INLAY-CONTROL PANEL; AW2 CD,PC,T0.3,EUROP	SA	1
23	2	RI190	DA97-07526A	ASSY COVER-RAIL PANTRY L; AW2 CD,-,-,-,-,	SA	1
23-1	3	RI197	DA63-04936A	COVER-RAIL PANTRY L; AW2 CD,HIPS,COOL WHI	SA	1
24	2		DA97-07520C	ASSY CASE PANTRY; AW2 CD	SA	1
24-1	3	RI196	DA61-05179A	CASE-PANTRY; AW2 CD,HIPS,-,-,-,COOL-WHITE	SA	1
24-2	3		DA61-04288A	SUPPORT-TRIM PANTRY R; AW2-PJT,HIPS,-,-,-	SNA	1
24-3	3		DA61-04289A	SUPPORT-TRIM PANTRY L; AW2-PJT,HIPS,-,-,-	SNA	1
24-4	3	RI545	DA63-04275B	COVER-PANTRY FRONT; AW2-PJT,SAN,NTR	SA	1
24-5	3	RI546	DA63-04276B	COVER-PANTRY TRIM; AW2-PJT,HIPS,COOL-WHIT	SA	1
24-6	3	RI299	DA66-00580A	ROLLER-PANTRY; AW2-PJT,POM,-,-,NTR,-,-	SA	1
25	2	RI070	DA29-00003F	FILTER WATER-ASSY; ATOP,D81, H143,NSF42	SNA	1
26	2	RI696	DA63-04150A	COVER-FILTER; AW,HIPS,-,-,-,-,-,-,-	SA	1
27	2	RI006	DA97-06317A	ASSY CASE-FILTER; AW,-,-,-,-,-	SA	1
27-1	3	RM033	DA67-02270A	CAP-SUPPORT FILTER; A-TOP,PP,-,-,-,WHITE,	SA	1
28	2	RI289	DA97-06333B	ASSY PARTITION-VEG; AW2-PJT,COVER PARTITI	SA	1
28-1	3		DA63-04286B	COVER-PARTITION VEG; AW2-PJT,GPPS,NTR,G-1	SA	1
28-2	3	RI321	DA67-02007A	PARTITION-VEG; AW2-PJT,HIPS,COOL-WHITE(SC	SNA	1

No.	Lvl.	Loc.	Material Code	Description & Specification	SNA	Qty.
29	2	RR208	DA97-07566A	ASSY CASE-LED; AW2-CD PJT,-,-,-,-,-	SA	1
29-1	3	RI304	DA61-05206A	CASE-LED; AW2 CD,HIPS,-,-,-,COOL WHITE,-	SA	1
29-2	3	RY699	DA63-04234A	COVER-LED; AW2-PJT,GPPS,-,-,-,-,-,SE101	SA	1
29-3	3	RR944	DA96-00392C	ASSY LAMP LED; 2ea,CEM-1,100*20,WHITE,SMA	SC	2
29-4	3	RR866	DA96-00424D	ASSY W/HARNESS-LED LAMP; ALL,12VDC,ALL,UL	SA	1

3. Cabinet

Exploded View



Parts List

No.	Lvl.	Loc.	Material Code	Description & Specification	SNA	Qty.
1	2		6011-004061	BOLT-HEX; M6,L42.6,SWCH10A	SA	4
2	2	RO284	DA97-07571K	ASSY TOP-TABLE; AW2,CREAMY STS, SENSOR HU	SA	1
2-1	3	RY001	DA34-00043B	SWITCH REED; 13mm,UL1007 AWG 22,270,HOOK	SA	2
2-2	3	RO159	DA61-03678A	PLATE-TOP TABLE; AW-PJT,SGCC,T0.3,78.2,12	SA	1
2-3	3	RR222	DA61-05390A	PLATE-TOP TABLE R; AW2 CD,SGCC,T0.3	SA	1
2-4	3	RO304	DA34-00066C	SWITCH DOOR-INTERLOCK; AC125V/250V,5/2.5,	SA	1
2-5	3	RO305	DA61-05274A	PLATE-DOOR SWITCH; AW2 CD,SGCC,T0.4,-,-,-	SA	1
2-6	3	RO930	DA64-02917A	TOP TABLE; AW2 CD,ABS,CREAMY STS	SA	1
2-7	3	RR094	DA61-04522A	CLIP-FITTING LOCK; AW,POM,-,-,1/4inch	SA	1
2-9	3	RR880	DA96-00567A	ASSY W/HARNESS-SUB; FDR,FREE VOLT,UL+IEC,	SA	1
2-10	3	RO302	DA32-00034B	SENSOR HUMIDITY; SHT20P,POLARIS,5V,1mA,0	SA	1
3	2	RO184	DA67-02304A	CAP-TOP TABLE; AW2 CD,ABS,-,-,-,CREAMY ST	SA	2
4	2	RO041	DA97-07822F	ASSY HINGE-UPP L; AW2 CD,T2.9,CREMMY STS,	SA	1
4-1	3	RO558	DA60-00162A	FASTENER-RING; AW-PJT,SK5,ID5,T0.5,OD11,B	SA	1
4-2	3	RO129	DA61-03239A	HINGE-UPP L; AW-PJT,SHP1,T2.9,-,-,-,-	SA	1
4-3	3	RR099	DA61-03301C	SPRING ETC-AUTO CLOSE; AW-PJT,HSWR,1.4,9.	SA	1
4-4	3	RO172	DA97-04903B	ASSY LEVER-AUTO CLOSE; AW-PJT,-,-,-,-,C	SA	1
4-4-1	4	RO173	DA66-00439B	LEVER-AUTO CLOSE; AW-PJT,NY6,-,-,-,-,CREA	SNA	1
4-5	3	RO562	DA63-03673A	GROMMET-LEVER; AW-PJT,NBR,-,-,-,-,BLACK	SA	1
4-6	3	RO208	DA61-05401A	FIXER-WATER PIPE HINGE; AW2 CD,SPCC,T1.2	SA	1
5	2	RO042	DA97-04875G	ASSY HINGE UPP-R; AW2,-,-,-,-,Creamy-STS,	SA	1
5-1	3	RO558	DA60-00162A	FASTENER-RING; AW-PJT,SK5,ID5,T0.5,OD11,B	SA	1
5-2	3	RO128	DA61-03240A	HINGE-UPP R; AW-PJT,SHP1,T2.9,-,-,-,-	SA	1
5-3	3	RR098	DA61-03301A	SPRING ETC-AUTO CLOSE; AW-PJT,HSWR,PI 1.4	SA	1
5-4	3	RO172	DA97-04903B	ASSY LEVER-AUTO CLOSE; AW-PJT,-,-,-,-,C	SA	1
5-4-1	4	RO173	DA66-00439B	LEVER-AUTO CLOSE; AW-PJT,NY6,-,-,-,-,CREA	SNA	1
5-5	3	RO562	DA63-03673A	GROMMET-LEVER; AW-PJT,NBR,-,-,-,-,BLACK	SA	1

Exploded Views and Parts List

No.	Lvl.	Loc.	Material Code	Description & Specification	SNA	Qty.
6	2	RY756	DA63-06410A	GROMMET HINGE-MID; AW3,POM,T2.0,W22.6,L23	SA	2
7	2	RO536	DA61-07771A	HINGE-MID L; AW,AL,ALDC 6,T5.0,W126.3,L50	SA	1
8	2		DA97-12659A	ASSY HINGE MID-R; AW3,Ni Cr flating,ALDC	SA	1
8-1	3	RO537	DA61-07772A	HINGE-MID R; AW,AL,ALDC 6,T5.0,W126.3,L50	SNA	1
9	3	RO100	DA61-04977A	FOOT-FRONT; AW2-PJT,PP,BLACK,MSWR10(BOLT)	SA	2
10	3	RO360	DA61-04702A	CASTER-FRONT; AW-PJT,PP,-,35,NTR,35,PP+TP	SA	2
11	3	RH012	DA61-01920A	CASTER-RIVET; (ZPC2),MSWR10,-,OD8.0,L58	SA	2
12	2	RO287	DA63-04975A	COVER-LEG FRONT; AW2 CD,PP,T2.5,-,-,-,C	SA	1
13	2	RO002	DA97-07547A	ASSY CHASSIS-COMP; AW2-CD,-,-,-,-,PP+TP	SA	1
13-1	3	RX039	DA66-00649B	SHAFT-CASTER; POLARIS,MSWR10,L44,ID8.0,OD	SA	2
13-2	3		DA61-01867A	BRACKET-COMP; A-TOP,GI-SGCC,T2.0	SNA	4
13-3	3	RR242	DA61-04703A	CASTER-REAR; AW-PJT,PP,-,35,NTR,35,PP+TPE	SA	2
13-4	3	RO119	DA64-02902A	CHASSIS COMP; AW2 CD,SBHG1,T1.4,-,-,-,-	SNA	1
14	2	RH003	DA97-07756G	ASSY TRAY-DRAIN WATER; AW2-PJT,4.0PITCH,S	SA	1
14-1	3	RO361	DA63-05084B	TRAY-DRAIN WATER; AW2,PP,HB,GRAY	SA	1
14-2	3	RH022	DA63-40128A	GROMMET-SUB COND; -,NBR,-,-,-,-,-,DARK-	SA	2
14-3	3	RW002	DA97-05093F	ASSY PIPE-SPIRAL COND; AW1-PJT,SPIRAL PIT	SA	1
14-4	3	RO132	DA97-07754D	ASSY SUPPORT-CIRCUIT MOTOR; AW2-PJT	SA	1
14-4-1	4	RR088	DA31-00146B	MOTOR BLDC; DRCP5030LA,1550,12V,230mA,2.7	SC	1
14-4-2	4	RF412	DA61-05357B	SUPPORT-CIRCUIT MOTOR; AW2,PP,NTR	SA	1
14-4-3	4	RH039	DA61-02355B	BRACKET-CIRCUIT MOTOR; ABS,NEXT,-,-,-,NTR	SA	1
14-4-4	4	RR066	DA63-40167A	GROMMET-COVER CHIL; SI,L16,WHITE	SA	1
14-4-5	4	RR934	DA96-00042P	ASSY W/HARNESS-MOTOR; ALL,12VDC,UL+IEC,UL	SA	1
14-4-7	4	RO138	DA63-01146A	GROMMET-MOTOR,REAR; A-TOP,NBR,BLACK,BLDC	SA	2
15	2	RH732	DA63-02617A	GROMMET COMP; USP05,EPDM,OD27.0,BLACK	SA	4
16	2	RH002	NC4EVA5ALM/E01	COMPRESSOR,BLDC IPM,15.32CC,220-240V,FAN; COMPRESSOR,BLDC IPM,15.32CC,220-240V,FAN	SA	1
17	2	RH070	DA97-10848B	ASSY COMP-SUB; MASSIMO GLOBAL(R),4TM308RF	SA	1
17-1	3	RO354	DA34-00004B	RELAY PROTECTOR O/L; 4TM308RFBYY-82	SC	1

No.	Lvl.	Loc.	Material Code	Description & Specification	SNA	Qty.
17-2	3	RH741	DA39-00154C	ASSY WIRE HARNESS-COMP; ALL,FREE VOLT,UL+	SC	1
18	2	RH015	DA63-01866A	COVER RELAY; NORYL,T2.0,SSEC,BLACK,HOOK	SA	1
19	2	RT094	DA97-02805J	ASSY PIPE CONNECT-SUCTION; GGH09	SA	1
19-1	2	RX042	DA63-40171D	GROMMET-SUCT PIPE B; RAIL L20,NBR,-,ID5.5	SA	1
20	2	RH044	DA62-04309A	DRYER; ALL,C1220T,9	SA	1
21	2	RH094	DA97-04957P	ASSY COVER-NOISE FILTER; AW2-CD,FRANCE /	SA	1
21-1	3	RH083	DA27-00019D	COIL FILTER; GUGGENHEIM-PJT,20mH,40m3	SA	1
21-2	3	RK077	DA39-10115E	CBF-POWER CORD; ET-PJT,-,UCP-2,-,-,-,-,-,	SA	1
21-3	3	RH040	DA63-03410A	COVER-NOISE,FILTER; NEXT,ABS,NTR,inverter	SA	1
22	2	RM030	DA63-00586B	COVER-TUBE FILTER; A-TOP,PP,-,W76,L83,-,-	SA	1
23	2	RY480	DA61-03467B	FIXER-HOSE; AW-PJT,HIPS,NTR	SA	3
24	1	RO326	DA92-00215L	ASSY PCB INVERTER; INVERTER,GGH A++,197*9	SA	1
25	2	RZ110	DA97-04049H	ASSY CAP-DRAIN; AW1-12	SC	1
25-1	3	RH890	DA62-01266D	TUBE PVC; NW2-FDR,SF-PVC,T0.7,L210,GRAY	SA	1
26	2	RK934	DA39-20389L	ASSY WIRE HARNESS-EARTH; ALL,FREE VOLT,UL	SC	1
27	1	RY475	DA92-00355D	ASSY PCB MAIN; LED TOUCH,AW2 CD,13V,5V,LC	SA	1
28	2	RM019	DA71-20207A	FIXER-VALVE WATER A; SR-S7180,PA6,OD7.4 X	SA	1
29	2	RH001	DA97-08447C	ASSY COVER-COMP; AW2 ND,SEAL NOT	SA	1
29-1	3	RH072	DA63-05387A	COVER-COMP; AW2-ND,GI-SGCC,T0.35,NC	SNA	1
30	2	RD067	DA97-06491A	ASSY COVER-PCB PANEL; AW2-PJT,-,-,-,-,-,-	SA	1
31	2	RM019	DA71-20207A	FIXER-VALVE WATER A; SR-S7180,PA6,OD7.4 X	SA	1
32	2	RY762	DA60-00259B	FITTING TUBE; TUBE FITTING B,PP,1/4'-5/16	SA	1
33	2	RO089	DA97-07827G	ASSY VALVE WATER; AW2-PJT,220~240V	SA	1
33-1	3	RO521	DA62-02291C	VALVE WATER; AC220-240V,120,2WAY,L-Wire,1	SC	1
34	2	RH026	DA73-10190U	PIPE-CONNECT DISC,B; TD-PJT,CU,-,C1220T,O	SA	1
35	2		DA60-00279A	FITTING-LOKRING 16; GRAND/SAM/HERMES,11SM	SA	1
36	2		DA60-00280A	FITTING-LOKRING 33; GRAND/SAM/HERMES,11SM	SA	1
37	2		DA60-00281A	FITTING-LOKRING 43; GRAND/SAM/HERMES,11SM	SA	1
38	2	RU495	DA67-02795C	CAP-SHAFT HOLE; AW3,ABS,HG-0760GP,COOL WH	SA	1
39	2		DA97-00710A	ASSY COVER-FIXER WATER; BUST-BUY,-,-,-,-,	SNA	1

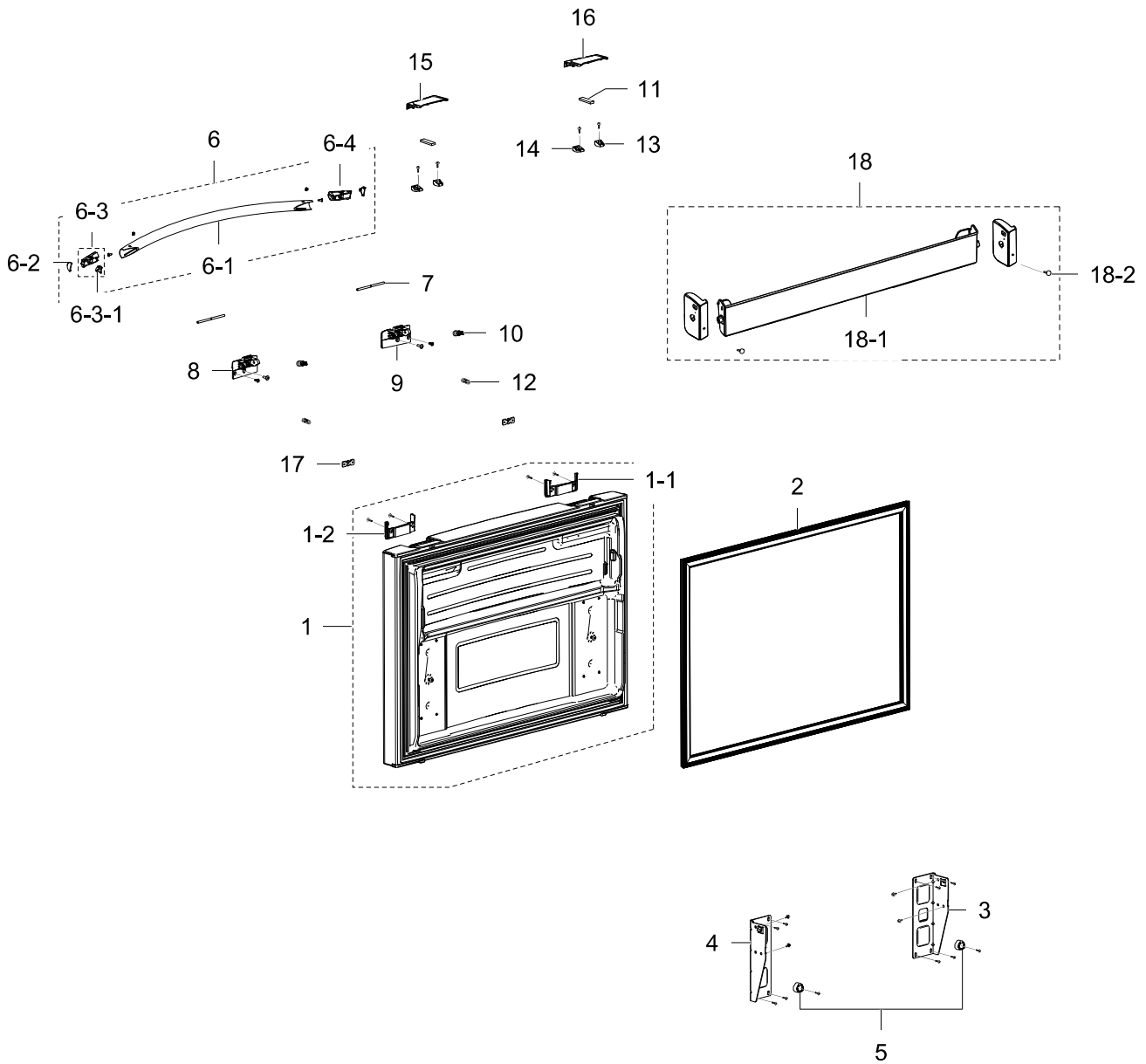
Exploded Views and Parts List

No.	Lvl.	Loc.	Material Code	Description & Specification	SNA	Qty.
40	2	RO347	DA97-07556B	ASSY COVER-PIPE WATER; AW2 CD	SA	1
41	2		DA97-06490E	ASSY CASE PCB-PANEL; AW2-PJT	SNA	1
42	2		DA62-02244A	INSULATION-GUIDE BACK; AW2 TIM,PS FOAM,52	SNA	1
43	2	RZ110	DA97-04049D	ASSY CAP-DRAIN; AW,ASSY,-,-,L224.5,-,FIXE	SA	1
43-1	3	RK900	DA62-01266A	TUBE-PVC; EPEL,SF-PVC,T0.7,OD19.4,L180,-,	SNA	1
43-2	3	RO161	DA63-02761A	GROMMET-DRAIN; RS18RK,NBR,-,-,-,-,BLK,-	SA	1
43-3	3	RZ111	DA67-01301A	CAP-DRAIN; TD09,HIPS,-,HB,S834S1,COOL WHI	SA	1
43-4	3	RG141	DA61-05021A	FIXER-DRAIN; HAEMIL,PP,CARMEN WINE,HB,BJ7	SA	1
43-5	3	RO162	DA63-00951B	GROMMET-DRAIN,HOSE; W2-PJT,NBR,WHITE	SNA	1
44	2	RR824	DA97-05362C	ASSY PIPE-WATER; AW-PJT(BEST),CD,TIM	SA	1
44-1	3	RM020	DA71-20208A	FIXER-VALVE WATER B; SR-S7180,PA6,OD6.1,	SA	1
45	3	RC034	DA97-07147A	ASSY SUPPORT-FOOT FRONT; AW2-PJT,-,-,-,-,	SA	2
45-1	4	RO560	DA61-04360B	SUPPORT-FOOT FRONT; AW2 CD,SHP1,T4.0	SA	2
46	2		DA97-07530A	ASSY GUIDE-PIPE WATER UPP; AW2-C/D-PJT,-,	SNA	1
47	3	RU397	DA96-00625S	ASSY W/HARNESS-MAIN; FDR,220~240VAC,IEC,U	SNA	1
47-1	5	RK705	DA32-00033C	SENSOR TEMP; DKST1329GW,AW,-50~805V,-	SA	1
47-2	5	RF103	DA63-05470B	COVER SENSOR-FRE; AW3,HIPS,NTR	SA	1
47-3	5	RF103	DA63-05470B	COVER SENSOR-FRE; AW3,HIPS,NTR	SA	1
48	2	RI069	DA97-11752L	ASSY-INSTALL FILTER; AW,KD	SNA	1
48-1	3	RC001	DA62-01329A	PIPE-CONNECT WATER PACKING; ET-PJT,BRASS,	SA	1
48-2	3	RH710	DA65-20110B	CLAMP; -,NY-66,-,-,-,DN-5N,PI8.0	SA	8
48-3	3	RR072	DA74-00070B	VALVE-FITTING NUT; A-TOP,CU,12,C3604 BD-F	SA	2
48-4	3		DA80-00002F	WRENCH-SPANNER; AW3,SM45C,Zn PLATING	SA	1
48-5	3		DA67-03197A	CAP-WRENCH; AW3-PJT,PVC,BLACK	SA	1
48-6	3		DA80-00026B	WRENCH-SPANNER; AW3,SM45C,Zn Plating	SA	1
48-7	3	RO207	DA62-01378B	VALVE-FITTING PU; AT06,C3604BD-F,-,-,-,-	SA	1
48-8	3	RK423	DA62-01368A	PIPE-WATER LINE; LLDPE,WHITE,I.D4.2, O.D6	SNA	5
48-9	3	RU304	DA63-04744A	COVER-CHECK VALVE; HM,PP,HB,GRAY,CNTK-P-1	SA	1
48-10	3		DA60-00336A	FITTING TUBE; POM,1/4	SNA	1
49	3	RM102	DA64-02950A	TRIM-BLADE; AW2-CD,RD-PVC,SHGS-L130-67-01	SA	1
50	2	RX020	DA63-40171B	GROMMET-SUCT PIPE A; -,NBR,OD20,ID4,L20,-	SC	1
51	2	RF113	DA97-07070C	ASSY MOTOR-STEP VALVE; 3-WAY,165mm,molex	SA	1

No.	Lvl.	Loc.	Material Code	Description & Specification	SNA	Qty.
52	2	RU302	DA73-00211A	RUBBER-CAP HOSE; i4-PJT,SILICON,GRAY	SA	1
53	4	RK180	DA31-00010F	FAN-ASS'Y; SBS,ABS+GF,3-Wings,GR-0410	SA	1
53-1	5	RR029	DA31-00015C	FAN-TURBO; ET-PJT,ABS+GF,GR-4010	SA	1
53-2	5	RK792	DA61-03139A	SPRING ETC-FAN; -,STS304,CD1.0,-,L3.0,3	SA	1
54	2	RO357	DA97-00713C	ASSY-THERMO GUIDE; XEF,THERMO,COOL WHITE	SA	1
55	3	RO216	DA27-00023B	COIL HARMONIC; 4mH,65*49*45	SA	1
56	2	RO347	DA97-07556B	ASSY COVER-PIPE WATER; AW2 CD	SA	1
57	2		DA63-03809A	COVER-URETHANE; AW-PJT,ABS,5V-A,BLACK,VE-	SNA	1
58	2	RT094	DA97-02805J	ASSY PIPE CONNECT-SUCTION; GGH09	SA	1
59	2		DA61-09790A	FIXER-REAR; AW3-14,HIPS,COOL WHITE,HB,S83	SA	1
60	2		DA60-00307A	FASTENER-HINGE MID; MOUTON-GLOBAL,POM,BLA	SA	1

4. Freezer Door

Exploded View



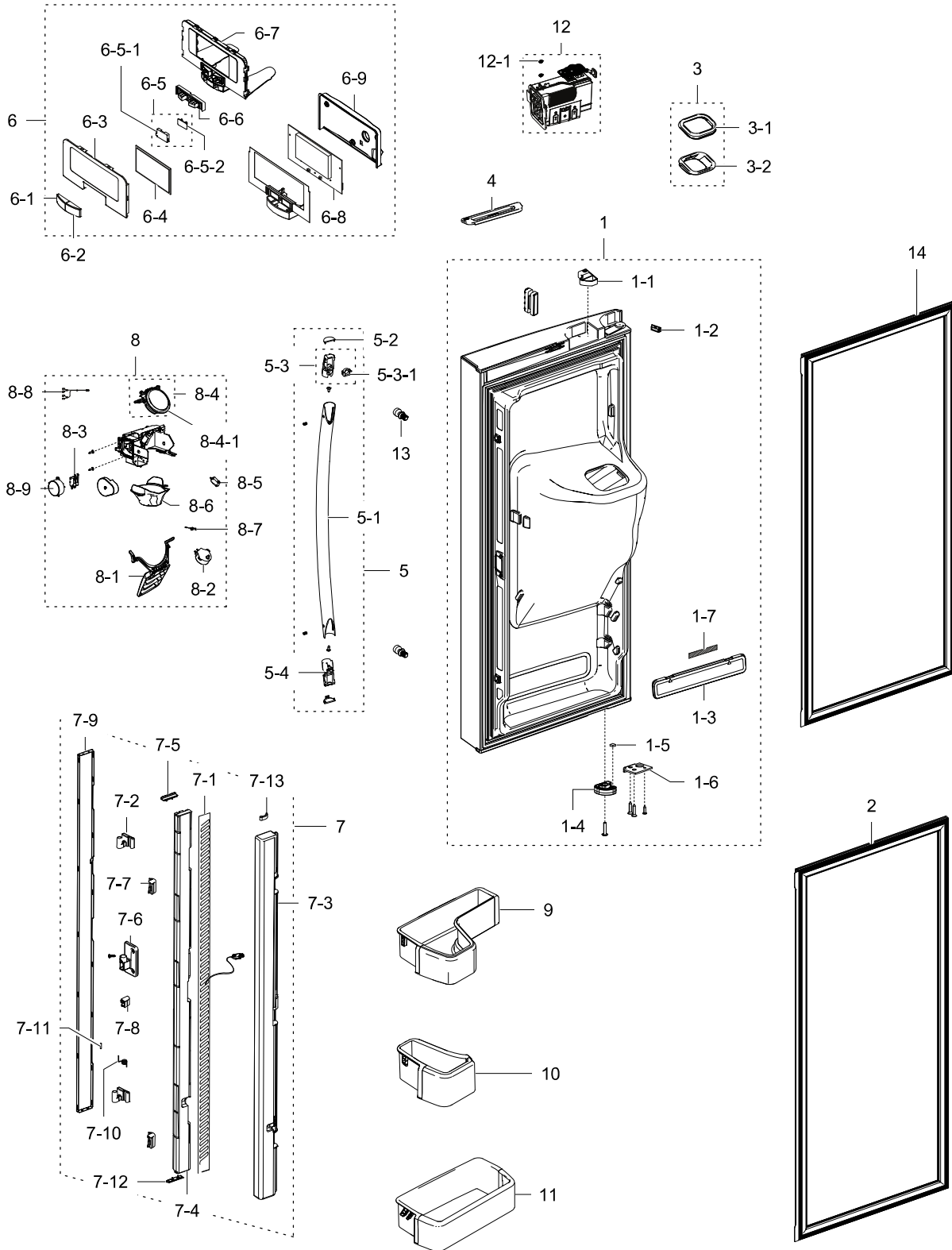
Parts List

No.	Lvl.	Loc.	Material Code	Description & Specification	SNA	Qty.
1	3	RD001	DA91-02705U	ASSY DOOR FOAM-FRE; ALF445	SA	1
1-1	4		DA67-02055B	CAP DOOR-FRE SUB L; AW-PJT,ABS,-,-,-,CREA	SA	1
1-2	4		DA67-02054B	CAP DOOR-FRE SUB R; AW-PJT,ABS,-,-,-,CREA	SA	1
2	3	RU513	DA97-05557Y	ASSY-GASKET DOOR FRE; AW-PJT,GRAY,AW NEW-	SA	1
3	3	RD092	DA61-03153B	HANGER-RAIL FRONT L; AW-PJT,SECC1,T2.0,CO	SA	1

No.	Lvl.	Loc.	Material Code	Description & Specification	SNA	Qty.
4	3	RD093	DA61-03155B	HANGER-RAIL FRONT R; AW-PJT,SECC1,T2.0,CO	SA	1
5	3	RD086	DA61-02904B	SUPPORT-DOOR POSITION,IN; AW-PJT,HIPS,-,-	SA	2
6	3	RO600	DA97-12712C	ASSY HANDLE BAR-FRE; AW4,AL(A6063),Versai	SC	1
6-1	4	RO392	DA64-03945F	HANDLE BAR-FRE; AW1-12,AW4,AL,T1.3,Versai	SA	1
6-2	4	RD316	DA67-02787A	CAP-HANDLE FRE; AW2 ND,ABS,NTR,NI-CR Plat	SA	2
6-3	4	RD315	DA61-08247A	SUPPORT-HANDLE FRE R; AW1-12,AW4,POM,GF-7	SA	1
6-3-1	5	RO324	DA61-08248A	BRACKET-HANDLE REF; AW2,ALDC,ALDC12,10*24	SNA	1
6-4	4	RU390	DA61-08229A	SUPPORT-HANDLE FRE; AW1-12,AW4,POM,GF-702	SA	1
7	3	RK756	DA66-00579A	SHAFT-CAP HANDLE; AW-PJT,SM45C,105,5,ZPC3	SA	2
8	3	RD153	DA67-02292A	CAP-HANDLE FRE R; AW2-PJT,ABS+PC,-,CREAMY	SA	1
9	3	RD152	DA67-02291A	CAP-HANDLE FRE L; AW2-PJT,ABS+PC,-,CREAMY	SA	1
10	3	RR178	DA61-03734A	FIXER-HANDLE; AW-PJT,SWRCH18A,M8,-,GE	SA	2
11	3	RD158	DA61-04258C	SLIDER-HANDLE FRE; AW-PJT,POM,-,-,CREAM	SA	2
12	3	RD157	DA61-04335B	SPRING ETC-EASY HANDLE; 08 AW1,2-PJT,HSWR	SA	2
13	3	RD160	DA61-04254A	FIXER-SHAFT HANDLE L; AW-PJT,POM,-,NTR,EA	SA	2
14	3	RD159	DA61-04255A	FIXER-SHAFT HANDLE R; AW-PJT,POM,-,NTR,EA	SA	2
15	3	RD155	DA63-04248B	COVER-HANDLE FRE R; AW-PJT,ABS,CREAMY-STA	SA	1
16	3	RD156	DA63-04247B	COVER-HANDLE FRE L; AW-PJT,ABS,-,-,-,-	SA	1
17	3	RF219	DA61-05215A	REINF-CAP HANDLE; AW2-PJT,HGI-SGHC,T2.0,5	SA	2
18	3	RD016	DA97-12963A	ASSY GUARD FRE; AW2 CD,HIPS,T2.3,COOL WHI	SA	1
18-1	4	RD354	DA63-07181A	GUARD-FRE; AW2_CD,HIPS,COOL-WHITE	SNA	1
18-2	4	RR066	DA63-40167A	GROMMET-COVER CHIL; SI,L16,WHITE	SA	1

5. Refrigerator Door Left

Exploded View



Parts List

No.	Lvl.	Loc.	Material Code	Description & Specification	SNA	Qty.
1	2		DA91-03644T	ASSY DOOR FOAM-REF LEFT; AW2 CD, SL	SA	1
1-1	5	RO175	DA66-00442B	CAM-AUTO CLOSE L; AW-PJT,NY6,-,-,CREAMY S	SA	1
1-2	5	RY484	DA61-02738F	MAGNET-ASSY; AW,ABS,5mm,7mm,18mm,CREAMY-S	SA	1
1-3	4	RU017	DA63-05524A	COVER-CAP DOOR LED; AW3,PC,NTR	SA	1
1-4	4	RU262	DA61-02383E	SUPPORT-DOOR CLOSE; AW-PJT,POM,-,-,CREA	SA	1
1-5	4	RR067	DA63-40294A	GROMMET-STOPPER; T3XW8XL8,NR,-,-,-,-,-,	SA	1
1-6	4	RD070	DA61-03211A	STOPPER-DOOR L; AW-PJT,SHP1,T2.9,W50.3,L4	SA	1
1-7	4	RK395	DA41-00519R	ASSY LAMP LED; 3ea,CEM-1,65*10,WHITE,SMAW	SA	1
2	2	RR238	DA97-05253E	ASSY-GASKET DOOR REF; AW-PJT,GRAY,-,-	SA	1
3	2	RR159	DA97-05353A	ASSY CAP-CHUTE ICE; AW-PJT(BEST),-,-,-,-,	SA	1
3-1	3	RE161	DA63-03698A	GASKET-CAP CHUTE ICE; AW-PJT(BEST),SI,WHI	SA	1
3-2	3	RD266	DA67-01729A	CAP-CHUTE ICE; AW-PJT,HIPS,HB,S834S1,COOL	SA	1
4	2	RO489	DA63-03695B	TRAY-DISPENSER; AW-PJT,ABS(HG-0760H),-,-,	SA	1
5	3		DA97-12715C	ASSY HANDLE BAR-REF L; AW4,AL(A6063),Vers	SC	1
5-1	4		DA64-03756K	HANDLE BAR-REF L; AW1-12 & AW4,AL,T1.3,Ve	SC	1
5-2	4		DA67-02788A	CAP-SUPT HANDLE REF; AW3,ABS,NTR,CR Plati	SA	2
5-3	4	RE305	DA61-08246A	SUPPORT-HANDLE REF UPP; AW1-12,AW4,POM,GF	SA	1
5-3-1	5	RO324	DA61-08248A	BRACKET-HANDLE REF; AW2,ALDC,ALDC12,10*24	SNA	1
5-4	4		DA61-08228A	SUPPORT-HANDLE REF; AW1-12,AW4,POM,GF-702	SA	1
6	2	RD026	DA97-11207Q	ASSY COVER DISPENSER; AW2-CD,ABS+ALF,ALF	SA	1
6-1	3	RE159	DA64-02566A	BUTTON-ICE DISPENSER; AW2,ALDC12,42.6*23.	SA	1
6-2	3	RE158	DA64-02567A	BUTTON-WATER DISPENSER; AW2,ALDC12,42.6*2	SA	1
6-3	3	RF091	DA61-04337D	PLATE-COVER DISPENSER; AW2 LED,STS430J1L,	SNA	1
6-4	3	RD450	DA63-04334C	COVER-CONTROL WINDOW; AW2 LED,ACRYL,3.0,1	SA	1
6-5	3	RI147	DA97-02847A	ASSY-LAMP DOOR; EPEL,LED TYPE,-,-	SA	1
6-5-1	4	RE310	DA63-02446A	COVER-LAMP-LED; EPEL,ABS,-,W39.6,L22.6,-,	SA	1

Exploded Views and Parts List

No.	Lvl.	Loc.	Material Code	Description & Specification	SNA	Qty.
6-5-2	4	RR492	DA41-00217B	ASSY PCB KIT; LED DISPENSER LAMP,E-PEL,17	SA	1
6-6	3	RE160	DA63-04337A	GROMMET-BUTTON CONTROL; AW2,SI,2.0,98,22,	SA	1
6-7	3	RR163	DA63-04331B	COVER-DISPENSER; AW2 LED,ABS,2.5,VERSAILE	SA	1
6-8	3		DA41-00540K	ASSY PCB KIT LED; AW2 CD MONO(!I),DOOR RE	SA	1
6-9	3	RO192	DA63-04333C	COVER-PCB PANEL SUB; AW2,PP,-,BLACK,PP-SC	SA	1
7	2	RE131	DA97-06417M	ASSY-FRENCH; AW2,SILVER	SA	1
7-1	3	RF118	DA47-00245K	HEATER CORD-FRENCH; AC230V,AW2-CD, 4408oh	SA	1
7-2	3	RD098	DA61-03230B	HINGE-FRENCH; AW-PJT,PC(HF-1023IM),-,-,	SA	2
7-3	3	RE164	DA61-04286A	CASE-FRENCH; AW2-PJT,ABS,-,-,-,COOL-WHITE	SNA	1
7-4	3	RI234	DA62-01836A	INSULATION-FRENCH; AW2-PJT,PS FOAM	SNA	1
7-5	3	RR181	DA63-03508B	GASKET-FRENCH; AW-PJT,SI,W9.9,L41.1,GRAY	SA	1
7-6	3	RI239	DA63-03454B	COVER-HEATER FRENCH; AW-PJT,PC(HF-1023IM)	SA	1
7-7	3	RE471	DA67-01650A	CAP-CASE FRENCH; AW-PJT,ABS,HG-0760GP,CO	SA	2
7-8	3	RE091	DA67-01701A	CAP-CASE FRENCH MID; AW-PJT,ABS,HG-0760GP	SA	1
7-9	3	RE163	DA70-00528F	PLATE-FRENCH; AW2,EGI,T0.6,THAI SILVER,PO	SNA	1
7-10	3	RE248	DA81-01345B	SPRING FRENCH; STS304,L38.3,PI1.4,3.5	SA	1
7-11	3	RE249	DA81-01346A	PIN-SPRING; WHITE,RD-PVC	SA	1
7-12	3	RK232	DA63-05158B	GASKET-FRENCH; NW2-FDR,SI,0.8,-,-,GRAY,-,	SA	1
7-13	3	RE247	DA67-02306A	CAP-GUIDE FRENHDH UPP; AW2 CD,POM,-,-,-,CO	SA	1
8	2	RE092	DA97-07361H	ASSY CASE-ICE ROUTE; AW2,CREAMY STS,MOLD	SA	1
8-1	3	RD365	DA66-00479B	LEVER-DISPENSER; AW-PJT,ABS+PC,HR-1008B,C	SA	1
8-2	3	RF261	DA31-00079C	MOTOR GEARED-DISP; 15.2/18.2 rpm,50/60Hz,	SA	1
8-3	3	RK822	DA34-00011A	SWITCH-MICRO; 125/250V,16A,80gf,SPST-NO	SA	2
8-4	3	RD068	DA97-05368A	ASSY COVER-ICE ROUTE; AW-PJT,-,-,-,-,-,	SA	1
8-4-1	4		DA63-04647A	COVER-ICE ROUTE A;AW-PJT,ABS+PC,HB,I BLA	SA	1
8-5	3	RD460	DA34-00011B	SWITCH-MICRO; 125/250V,16A,200gf,SPST-NO	SA	1
8-6	3	RD062	DA61-04519B	GUIDE ICE-DISPENSER; AW2,GPPS,NTR	SA	1
8-7	3	RE156	DA81-01348A	SPRING COVER; STS304,T1.0,7,STS304(B)	SA	1
8-8	3	RE155	DA96-00106C	ASSY-W/HARNESS DISP; AW2-PJT,W/H DISP	SA	1

No.	Lvl.	Loc.	Material Code	Description & Specification	SNA	Qty.
8-9	3	RF084	DA96-00192C	ASSY-HARNES MOTOR DISP; SBS,FDR,FREE VOL	SA	1
9	2	RE152	DA97-07544A	ASSY GUARD-DISPENSER; AW2 CD,-,-,-,-,-	SA	1
10	2	RE367	DA97-07570A	ASSY GUARD REF-MID; AW2 CD,-,-,-,-,-	SA	1
11	2	RR191	DA97-07542A	ASSY GUARD-REF L; AW2 CD,-,-,-,-,-	SA	1
12	3		DA97-07601A	ASSY CASE-ICE ROOM; AW2 CD,-,-,-,COOL WHI	SNA	1
12-1	4	RH020	DA61-01797A	FIXER GROMMET-DOOR; T3-PJT,PP,SC-02740R	SA	2
13	3	RR178	DA61-03734A	FIXER-HANDLE; AW-PJT,SWRCH18A,M8,-,GE	SA	2
14	2		DA63-06777F	GASKET-DOOR SUB; AW2 CD,SF-PVC,T0.4,26.9,	SA	1

Parts List

No.	Lvl.	Loc.	Material Code	Description & Specification	SNA	Qty.
1	2		DA91-04236A	ASSY DOOR FOAM-REF RIGHT; AW2 CD, SL	SA	1
1-1	5	RO573	DA66-00441B	CAM-AUTO CLOSE R; AW-PJT,NY6,-,-,CREAMY S	SA	1
1-2	5	RY484	DA61-02738F	MAGNET-ASSY; AW,ABS,5mm,7mm,18mm,CREAMY-S	SA	1
1-3	3	RO716	DA64-04021C	MASCOT; ALL,NI,-,T0.06,L90	SA	1
1-4	4	RU262	DA61-02383E	SUPPORT-DOOR CLOSE; AW-PJT,POM,-,-,CREA	SA	1
1-5	4	RR067	DA63-40294A	GROMMET-STOPPER; T3XW8XL8,NR,-,-,-,-,-,	SA	1
1-6	4	RE439	DA61-03212A	STOPPER-DOOR R; AW-PJT,SHP1,T2.9,W50.35,L	SA	1
1-7	4	RK395	DA41-00519R	ASSY LAMP LED; 3ea,CEM-1,65*10,WHITE,SMAW	SA	1
1-8	4	RU017	DA63-05524A	COVER-CAP DOOR LED; AW3,PC,NTR	SA	1
1-9	4	RE290	DA96-00478Y	ASSY W/HARNES-DOOR; FDR,12VDC,ALL,UL,AW2	SA	1
2	2	RR238	DA97-05253E	ASSY-GASKET DOOR REF; AW-PJT,GRAY,-,-	SA	1
3	2	RE028	DA97-07543A	ASSY GUARD-DAIRY; AW2 CD,-,-,-,-,-	SA	1
3-1	3	RE390	DA63-04948A	GUARD-DAIRY; AW2 CD,HIPS,T2.5,-,-,COOL WH	SNA	1
4	2	RR190	DA97-07541A	ASSY GUARD-REF R; AW2 CD,-,-,-,-,-	SA	2
5	3		DA97-12714C	ASSY HANDLE BAR-REF R; AW4,AL(A6063),Vers	SC	1
5-1	4		DA64-03756G	HANDLE BAR-REF R; AW1-12 & AW4,AL,T1.3,Ve	SA	1
5-2	4		DA67-02788A	CAP-SUPT HANDLE REF; AW3,ABS,NTR,CR Plati	SA	2
5-3	4	RE305	DA61-08246A	SUPPORT-HANDLE REF UPP; AW1-12,AW4,POM,GF	SA	1
5-3-1	5	RO324	DA61-08248A	BRACKET-HANDLE REF; AW2,ALDC,ALDC12,10*24	SNA	1
5-4	4		DA61-08228A	SUPPORT-HANDLE REF; AW1-12,AW4,POM,GF-702	SA	1
6	2		DA63-06777G	GASKET-DOOR SUB; AW2 CD,SF-PVC,T0.4,26.9,	SA	1
7	3	RR178	DA61-03734A	FIXER-HANDLE; AW-PJT,SWRCH18A,M8,-,GE	SA	2