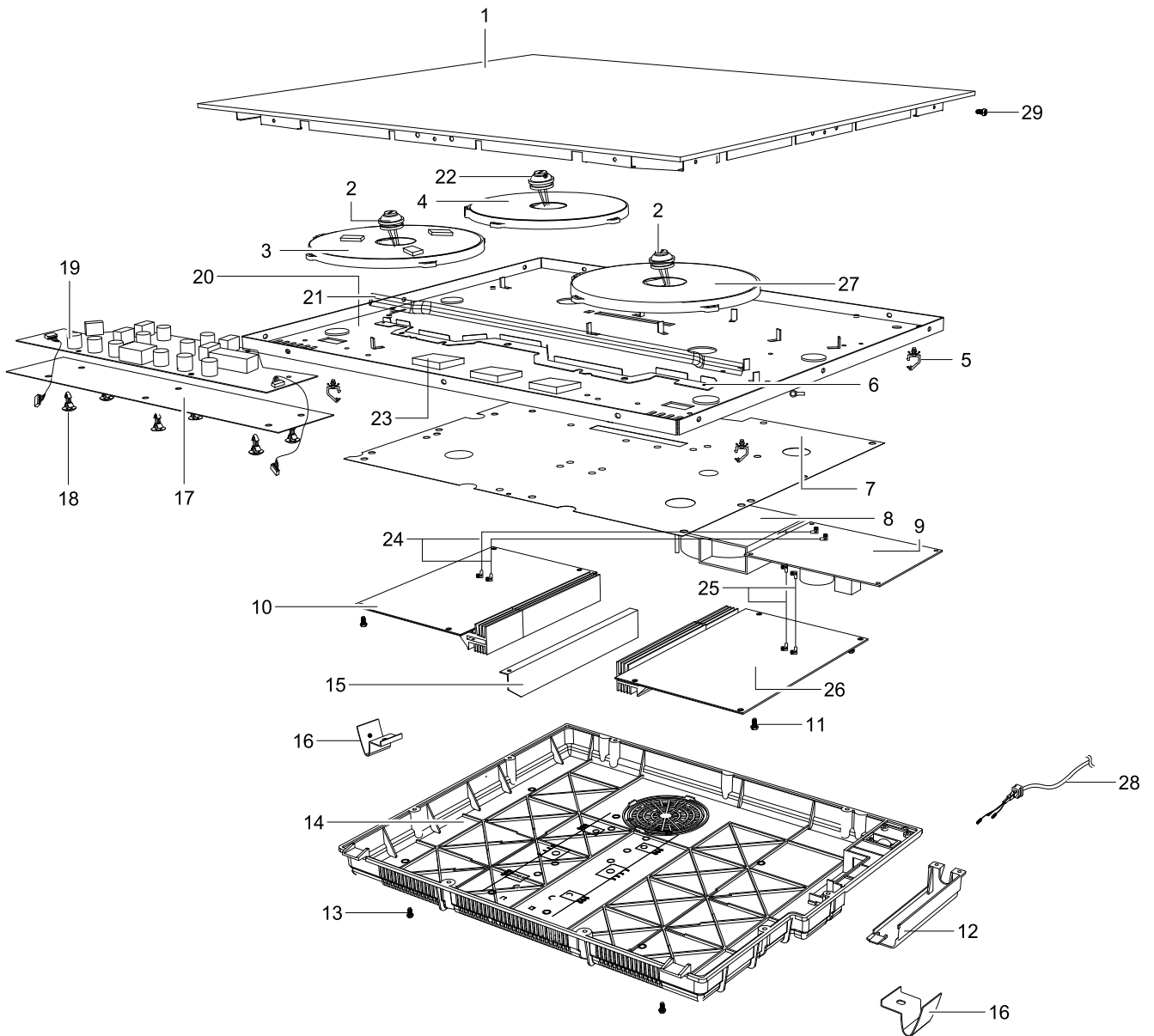


# 1. Title

## Exploded View



## Parts List

No.	Lvl.	Loc.	Material Code	Description & Specification	SNA	Qty.
1	1		DG81-02258A	A/S-CERAMIC PLATE; NZ63M3NM1BB,12566000A1	SA	1
2	1		DG81-01449A	A/S-TEMP SENSOR; NZ64F3NM1AB,541600200011	SA	2
3	1		DG81-01427A	A/S-140COIL GROUPWARE; NZ63F3NM1AB,303203	SA	1
4	1		DG81-01425A	A/S-180COIL GROUPWARE; NZ63F3NM1AB,303203	SA	1
5	1		DG81-01434A	A/S-LINE CLAMP; NZ64F3NM1AB,303207300212,	SA	7
6	1		DG81-02006A	A/S-HEAT INSULATE BRACKET; NZ64H37070K,12	SA	1
7	1		DG81-01431C	A/S-ISINGLASS FLAKE B; NZ63M3707AK,127660	SA	1
8	1		DG81-01447A	A/S-FAN; NZ64F3NM1AB,541600100004,DC MOTO	SA	1

Exploded Views and Parts List

No.	Lvl.	Loc.	Material Code	Description & Specification	SNA	Qty.
9	1		DG81-01424A	A/S-ACCESSORIAL POWER; NZ64F3NM1AB,541500	SA	1
10	1		DG81-01442A	A/S-POWER BOARD; NZ63F3NM1AB,541500000051	SA	1
11	1		DG81-01421A	A/S-SCREW; NZ64F3NM1AB,301500101194,PBA A	SA	6
12	1		DG81-02002A	A/S-POWER CORD CASE COVER; NZ63H37070K,12	SA	1
13	1		DG81-01420A	A/S-SCREW; NZ64F3NM1AB,301500100954,MOLD	SA	10
14	1		DG81-01437A	A/S-BASE; NZ64F3NM1AB,541300100005,BASE C	SA	1
15	1		DG81-01436A	A/S-WINDSHIELD; NZ64F3NM1AB,303207300215,	SA	1
16	1		DG81-01462A	A/S-INSTALLATION BRACKET; NZ64F3NM1AB,541	SA	1
17	1		DG81-01432A	A/S-ISINGLASS FLAKE A; NZ64F3NM1AB,MICA S	SA	1
18	1		DG81-01433A	A/S-KNIGHTHEAD; NZ64F3NM1AB,303207300211,	SA	4
19	1		DG81-01445A	A/S-DISPLAY BOARD; NZ63F3NM1AB,5415001000	SA	1
20	1		DG81-02003A	A/S-RADIATOR BOARD; NZ63H37070K,122660000	SA	1
21	1		DG81-01450A	A/S-SILICONE SEALED STRIP; NZ64F3NM1AB,54	SA	1
22	1		DG81-01448A	A/S-TEMP SENSOR; NZ64F3NM1AB,541600200013	SA	1
23	1		DG81-01451A	A/S-SUPPORTING FOAM; NZ64F3NM1AB,54170070	SA	3
24	1		DG81-01456A	A/S-WIRE RED 450; NZ64F3NM1AB,30320680003	SA	2
25	1		DG81-01457A	A/S-WIRE RED 150; NZ64F3NM1AB,30320680004	SA	2
26	1		DG81-01443A	A/S-POWER BOARD; NZ63F3NM1AB,171660000082	SA	1
27	1		DG81-01428A	A/S-280COIL GROUPWARE; NZ63F3NM1AB,542300	SA	1
28	1		DG81-02001A	A/S-POWER CORD; NZ63H37070K,1746600000022	SA	1
29	1		DG81-01423A	A/S-SCREW; NZ64F3NM1AB,301500101374,GLASS	SA	12