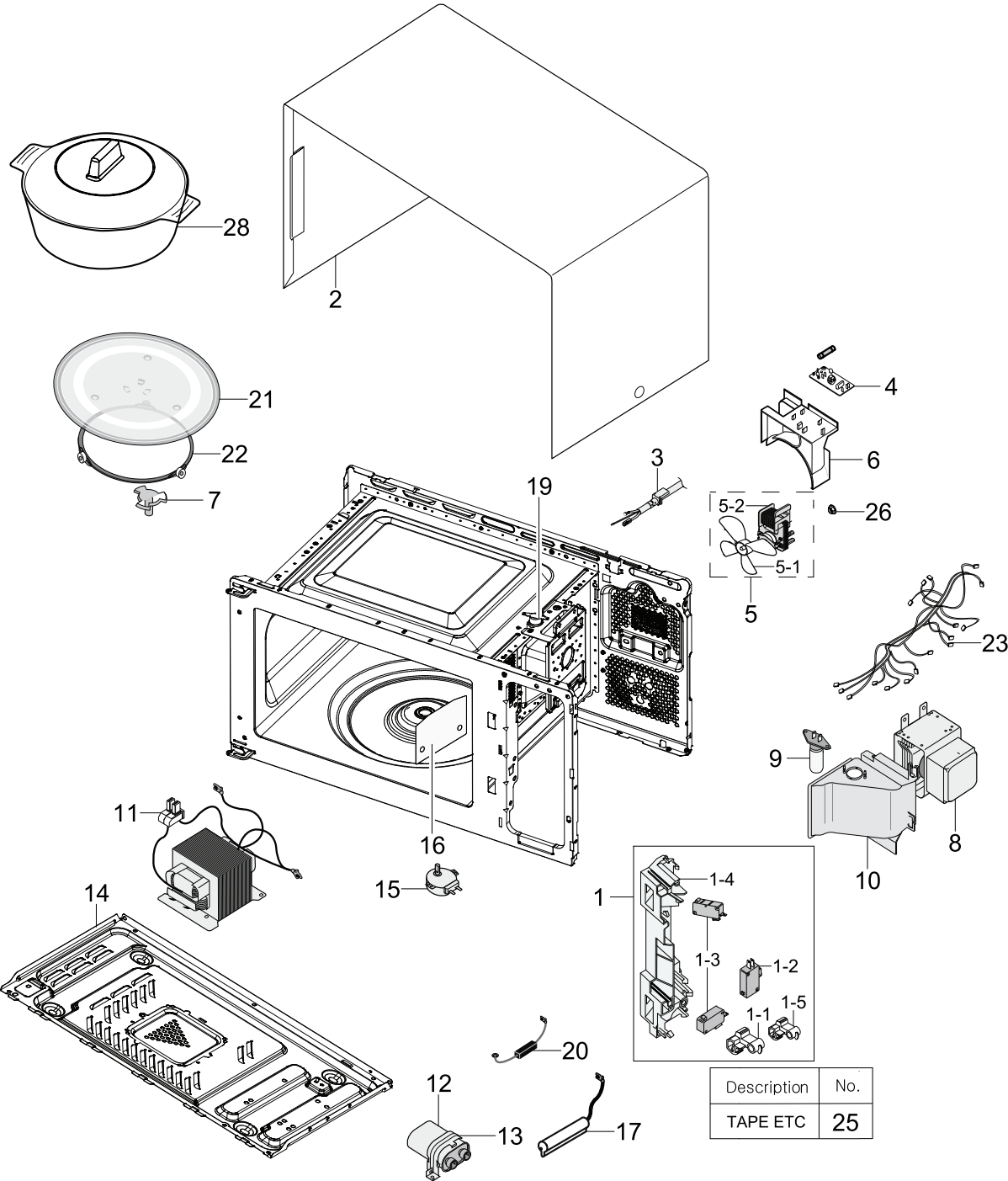


1. MAIN

Exploded View



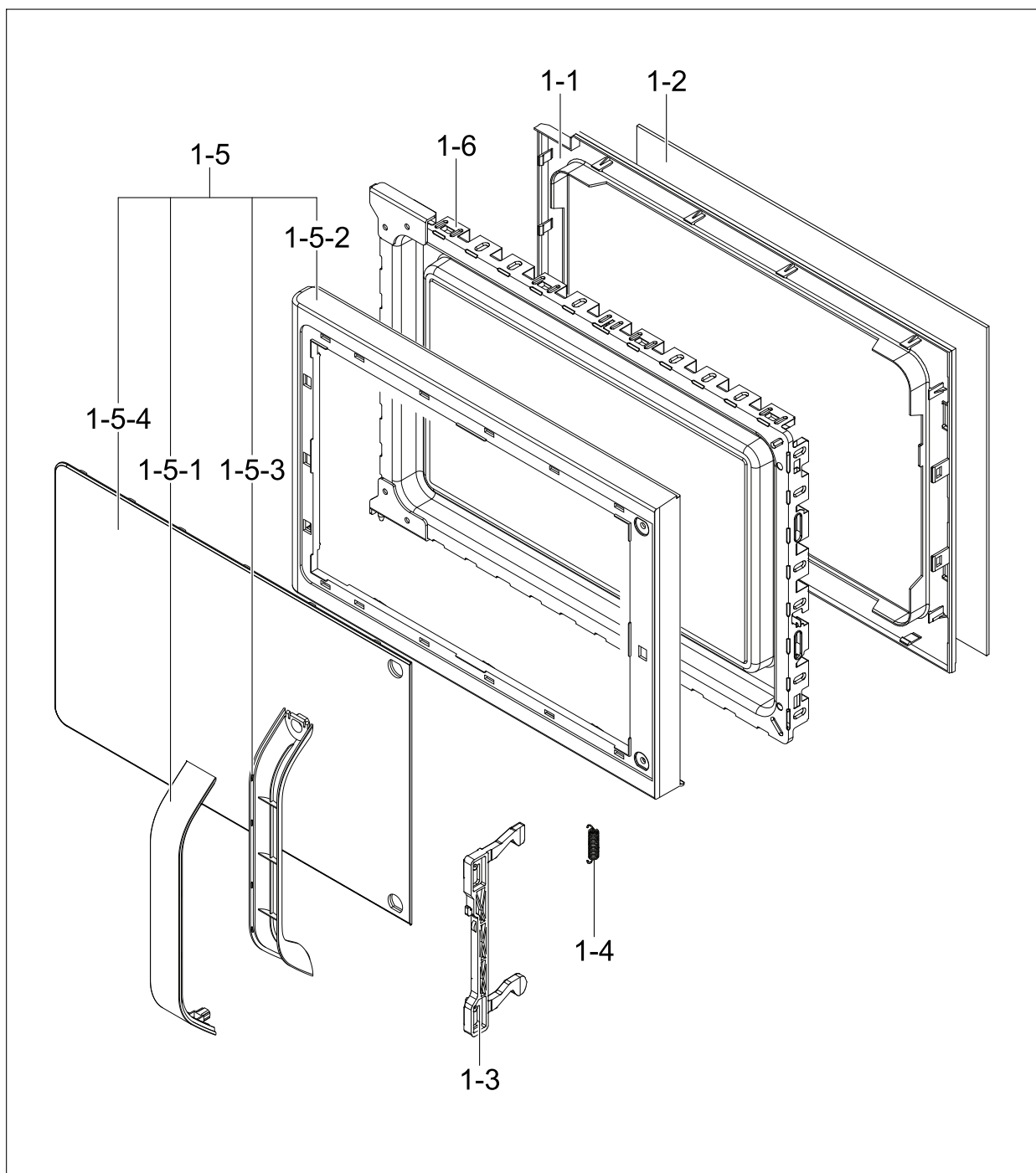
Parts List

No.	Lvl.	Loc.	Material Code	Description & Specification	SNA	Qty.
1	1	B022	DE94-02317B	ASSY BODY LATCH; RE-C21VB,GERSUNG u-swotc	SA	1
1-1	2	B010	DE66-00093A	LEVER-SWITCH(A); NC2000,PP,NTR,HANDLE	SC	1
1-2	2	B046	3405-001032	SWITCH-MICRO; 125/250VAC,16A,200GF,SPDT	SA	1
1-3	2	S0021	3405-000178	SWITCH-MICRO; 250V,16A,200gf,SPST-NO	SNA	2
1-4	2	B077	DE66-00231A	LATCH-BODY(HANDLE); 0.8 CHIC,PP,WHITE	SA	1
1-5	2	B011	DE66-00094A	LEVER-SWITCH(B); NC2000,PP,NTR,HANDLE	SA	1
2	1	M001	DE64-02356G	PANEL-OUTER; MW73B-S,EGI-SECC,T0.4,NEO SI	SA	1
3	1	M015	DE96-00385D	ASSY POWER CORD; CEE,Straight,250V/6A,H05	SA	1
4	2	M017	DE96-00822A	ASSY NOISE FILTER; MW73,SN-ESMA,250V 10A,	SA	1
5	2	M020	DE96-00848A	ASSY MOTOR FAN; MW73BR,SMF-E73A,230V 50Hz	SA	1
5-1	3	H018	DE31-00063A	BLADE-FAN; 0.7ECO PLATFORM,PP,GREY	SA	1
5-2	3	M023	DE31-10184J	MOTOR FAN; SMF-E73A,230V/50Hz,2450rpm,9T	SA	1
6	2	M022	DE63-00641A	COVER-BLOWER; 0.7ECO PLATFORM,PP,WHITE	SA	1
7	2	M034	DE67-00272A	COUPLER; CE73JD,PPS,BROWN,GIANT	SA	1
8	2	M035	OM75S(31)ESGN	ASSY-MGT; ASSY-MGT		1
9	2	M036	4713-001524	LAMP-INCANDESCENT; 230V,20W	SA	1
10	2	M037	DE63-00651A	COVER-AIR; 0.7ECO PLATFORM,GI-SGCC,T0.4	SA	1
11	2	M038	DE26-00160A	TRANS H.V; SHV-EPT06A,230V,50Hz,2280V/3.4	SA	1
12	2	M039	2501-001016	C-OIL; 950nF,2100V,BK,35x54x80mm,20mm	SA	1
13	2	M040	DE61-01263A	BRACKET-HVC; 0.7ECO PLATFORM,GI-SGCC,T0.6	SA	1
14	2	M048	DE61-01262A	BASE-PLATE; 0.7ECO PLATFORM,GI-SGCC,T0.5	SA	1
15	2	M049	DE31-10154D	MOTOR SYNCHRONOUS; SSM-16H,CMO,FREE,5/6 R	SA	1
16	2	M051	DE63-00642C	COVER-MGT; 0.7ECO PLATFORM,PP,flamable V-	SA	1
17	2	M042	DE96-00831A	ASSY H.V.FUSE; MW74,THV060T-0650-SC,5KV/0	SA	1
19	2	M440	DE47-20008A	THERMOSTAT; NT-101,125/250V,1005,6015	SA	1
20	2	M527	DE59-00002A	DIODE-H.V; MWO ALL,2CL4512H,-,450mA 13KV,	SC	1
21	2	T001	DE74-20102D	TRAY-COOKING; G643C-1(3RD-0.6),GLASS,T6,-	SA	1
22	2	F535	DE97-00193D	ASSY GUIDE ROLLER; RE-C21AW,PPS,PTEF,15.5	SA	1

No.	Lvl.	Loc.	Material Code	Description & Specification	SNA	Qty.
23	1	W002	DE96-00934A	ASSY WIRE HARNESS-A; RE-C21AW,220V/60HZ,0	SA	1
25	2		DE02-00168A	TAPE ETC; OPP,-,W72,L1000,TRANSPARENT	SA	1
26	2	H024	DE60-30016A	NUT-FLANGE; MSWR-SWRM,MSWR10	SNA	2
28	2	T023	DE94-01769B	ASSY-STEAM BOWL; STEEL HEART,PP,-	SA	1

2. ASSY DOOR

Exploded View

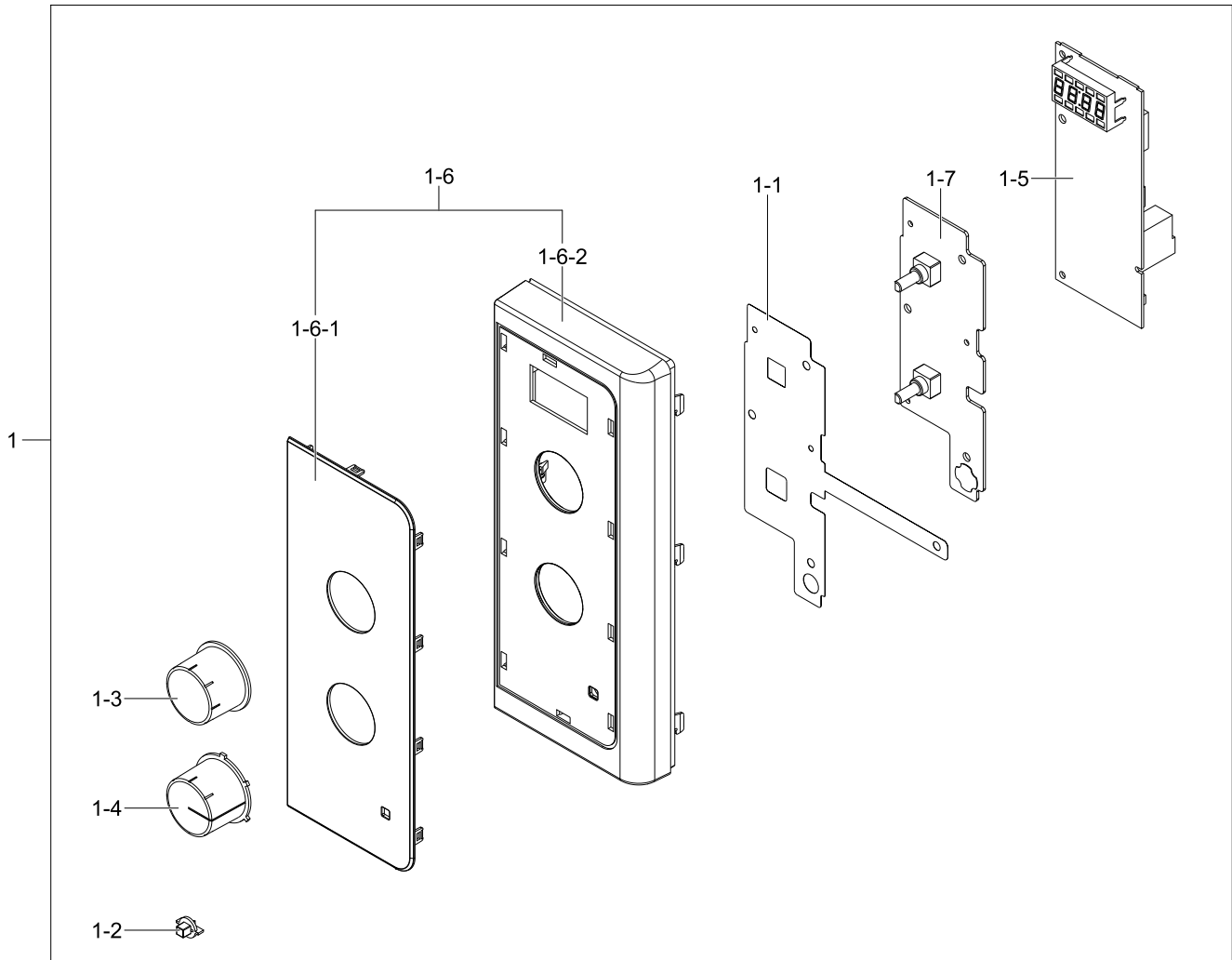


Parts List

No.	Lvl.	Loc.	Material Code	Description & Specification	SNA	Qty.
1	1	D049	DE94-03065B	ASSY DOOR; MS23F301EFS/EF,NEO SILVER,MUSE	SNA	1
1-1	2	D006	DE64-02354A	DOOR-C; 0.7ECO PLATFORM,PP,BLACK	SNA	1
1-2	2	D005	DE64-00221B	FILM-DOOR; -,PET,T0.13,W264*L143,-,NC	SA	1
1-3	2	D011	DE64-02430A	DOOR-KEY; 0.8 Chic,POM,BLACK,Chic project	SA	1
1-4	2	D007	DE61-00193A	SPRING-KEY; MW1255,HSWR-SWRH,PI0.6,D5.5,L	SA	1
1-5	2	D037	DE94-03052B	ASSY DOOR A; MS23F301EFS/EF,NEO SILVER,MU	SNA	1
1-5-1	3	D147	DE63-00766A	COVER HANDLE; 0.8 MUSE3,ABS,T2.3,-,GE BLA	SNA	1
1-5-2	3	D002	DE64-02728C	DOOR-A; 0.8 MUSE3,ABS,T2.0,W380,L26.5,HB,	SNA	1
1-5-3	3	D019	DE64-02729A	HANDLE DOOR; 0.8 MUSE3,ABS,T2.3,W30.3,L22	SNA	1
1-5-4	3	D003	DE64-02740A	SCREEN-DOOR; 0.8 MUSE3,SAN,T2.3,W368,H234	SNA	1
1-6	2	D004	DE94-02262C	ASSY DOOR E-COATING; MW73B/XEF,GA T0.5,BL	SA	1

3. ASSY CONTROL BOX

Exploded View



Parts List

No.	Lvl.	Loc.	Material Code	Description & Specification	SNA	Qty.
1	1	C082	DE94-03051B	ASSY CONTROL BOX; MS23F301EFS/EF,230V 50H	SNA	1
1-1	3	C107	DE01-00285A	FILM BOARD; MUSE3,AL,T0.12,W58,L167,AL	SNA	1
1-2	3	C035	DE64-02709A	BUTTON-CLOCK; MC32F604T,ABS,HB,GE BLACK	SA	1
1-3	3		DE64-02710A	KNOB DIAL; 1.1 CELLO,ABS,HB,GE BLACK,META	SA	1
1-4	3		DE64-02734B	KNOB DIAL SELECT; MS23F301EFS/EF,ABS,GE B	SNA	1
1-5	2	F316	DE92-03487K	ASSY PCB MAIN; MS23F301EAW/EF,RCS-SMS3L-2	SA	1
1-6	2	C001	DE94-03053C	ASSY CONTROL PANEL; MS23F301EFS/EF,NEO SI	SNA	1

No.	Lvl.	Loc.	Material Code	Description & Specification	SNA	Qty.
1-6-1	3		DE63-00769B	COVER PANEL; MS23F301EFS/EF,SAN,T2.5,HB,B	SNA	1
1-6-2	3	C005	DE64-02735B	CONTROL PANEL; 0.8 MUSE3,ABS,W106.3,L260.	SNA	1
1-7	3	C084	DE96-01020A	ASSY KEY MODULE; MG23F302EAW,DKM-MS23E-00	SA	1