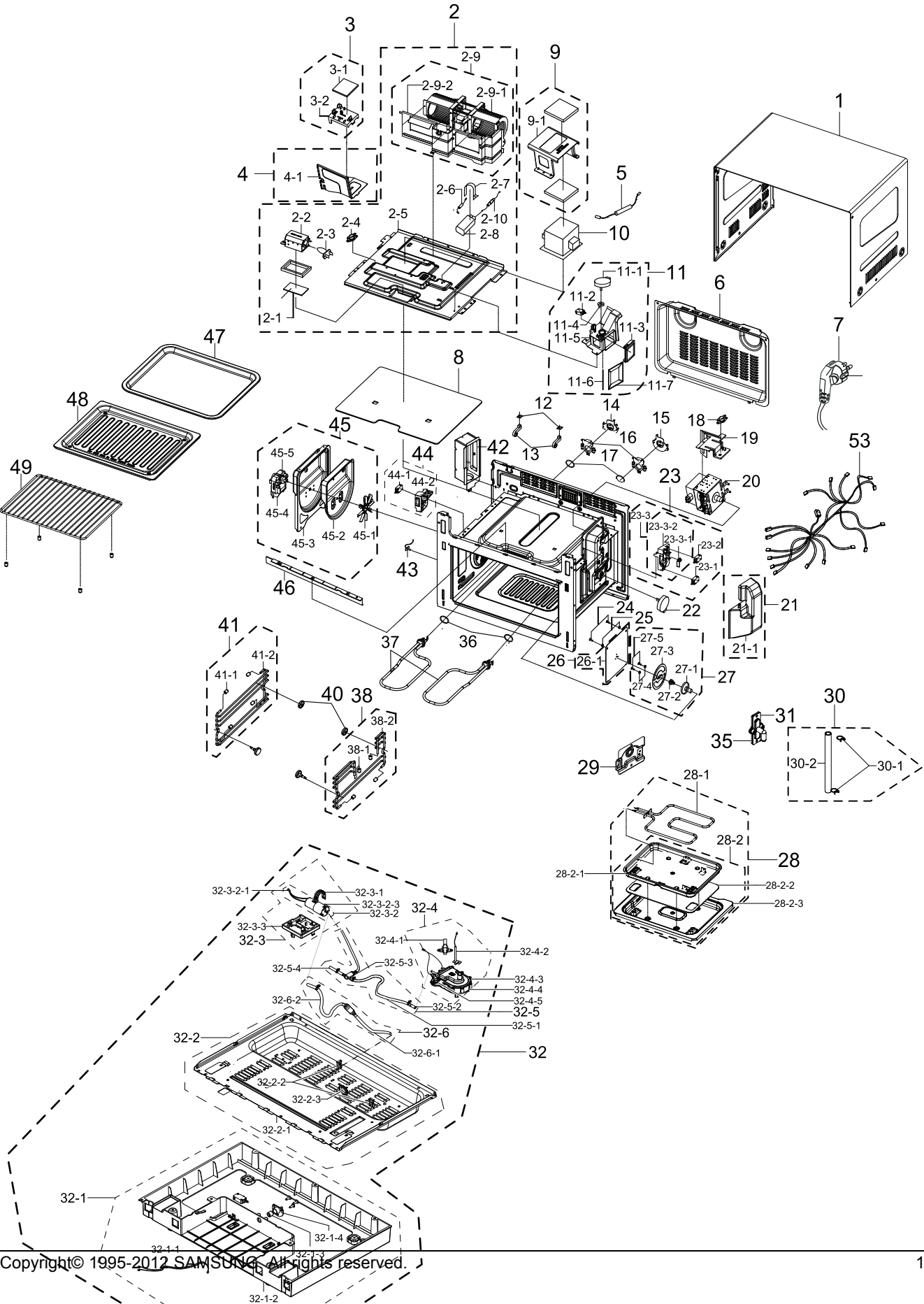


# 1. Main

## Exploded View



**Parts List**

No.	Lvl.	Loc.	Material Code	Description & Specification	SNA	Qty.
1	1	M001	DE64-01869D	PANEL-OUTER; CQ138T,SECC,T0.6,-,-,-,NEO S	SA	1
2	1	M377	DE93-00001E	ASSY BRACKET-UPPER; CQV137-S/XEF,COATING,	SNA	1
2-1	2	M163	DE64-01917A	GLASS-LAMP; AURORA PROJECT,GLASS,T=2.0,CL	SA	1
2-2	2	M086	DE63-00460A	COVER-LAMP; AURORA,STS430,T0.4,W42.4,L34.	SA	1
2-3	2	M036	4713-001046	LAMP-INCANDESCENT; 240V,104mA,25W,ORG,25x	SA	1
2-4	2	M447	DE47-20010A	THERMOSTAT; -,NT-101,250V 10A/125V 15A,-,	SA	1
2-5	3	M003	DE61-00964D	BRACKET-UPPER; CQV137,SECC,T0.8,BLACK POW	SNA	1
2-6	2	M042	DE91-70061A	ASSY H.V.FUSE; -,THV060T-0800-H,5KV/0.80A	SA	1
2-7	2	M040	DE61-00139A	BRACKET-HVC; NC2000,SECC,T0.8,-,-,-,0.6/0	SA	1
2-8	2	M039	2501-001015	C-OIL; 1.0uF,2100V,BK,35X54X80,20mm	SA	1
2-9	1	M024	DE90-00938A	ASSY MOTOR-VENTILATION; -,-,220V,-,AURORA	SA	1
2-9-1	2	M302	DE31-00051A	MOTOR BLOWER; SMB-E365A,230V/50Hz,2300RPM	SA	1
2-9-2	3	M376	DE61-00992A	BRACKET-VENT(A); AURORA,SECC,T0.5,W505,L1	SNA	1
2-10	2	M527	DE59-00002A	DIODE-H.V; MWO ALL,2CL4512H,-,450mA 13KV,	SA	1
3	1	M378	DE94-01660B	ASSY HOLDER-NOISE FILTER; AURORA STEAM,-	SNA	1
3-1	2	M017	DE96-00399F	ASSY NOISE FILTER; AURORA STEAM,SN-UF11F,	SA	1
3-2	2	M264	DE61-01003A	HOLDER-NOISE FILTER; AURORA,PP,BLK,TB53	SNA	1
4	1	P277	DE94-01840A	ASSY BRACKET-VENT(B); HS-C364AB,-,-,AUROR	SNA	1
4-1	2	P278	DE61-00993A	BRACKET-VENT(B); AURORA,SECC,T0.5,W220,L1	SNA	1
5	2	M042	DE91-70061A	ASSY H.V.FUSE; -,THV060T-0800-H,5KV/0.80A	SA	1
6	1	P186	DE63-00455A	COVER-BACK; AURORA,SGCC,T0.6,W520,L370,-,	SA	1
7	1	M015	DE96-00385A	ASSY POWER CORD; CEE,Straight,250V/16A,H0	SNA	455
8	1	M028	DE62-00063A	ADIABATIC-UPPER; AURORA PROJECT,FIBER GLA	SA	1
9	1	P275	DE97-00737A	ASSY BRACKET-HVT; AURORA PROJECT,-,-,1.3	SNA	1
9-1	2	P276	DE61-00978A	BRACKET-HVT; AURORA,SECC,T1.6,W303,L133,-	SNA	1
10	1	M038	DE26-00149A	TRANS H.V; SHV-E10A,230V,50Hz,2435V/3.30V	SNA	1

No.	Lvl.	Loc.	Material Code	Description & Specification	SNA	Qty.
11	1	T050	DE97-00715B	ASSY DAMPER; AURORA STEAM,-,BLACK	SA	1
11-1	2	M358	DE31-10098A	MOTOR SYNCHRONOUS; M2LB24ZR92,220/240V,50	SA	1
11-2	3	B048	3405-001034	SWITCH-MICRO; 125/250VAC,16A,200gf,SPST-N	SA	1
11-3	2	P263	DE66-00194A	DAMPER; AURORA,NYLON #66,-,-,-,BLACK,15	SA	1
11-4	2	M075	DE66-00176A	CAM-MOTOR; 1.5CONV,POM(K300NTR)	SA	1
11-5	2	T079	DE61-01028A	GUIDE-DAMPER; STEAM OVEN,NYLON#66,-,-,-,B	SA	1
11-6	2	P083	DE72-00040A	DAMPER-PIN; MC5694W,MSWR,-,PI2,-,-,-,-	SNA	1
11-7	2	P171	DE63-00494A	GASKET-DAMPER; STEAM OVEN,SILICON 300,NAT	SA	1
12	1	M005	DE61-70060A	SPRING-PLATE; SK5,T0.5	SNA	2
13	1	M533	DE61-01030A	SUPPORT-HEATER; AURORA,ALUMINA,T12,-,-,IV	SA	2
14	1	H091	DE61-00973A	STOPPER-GRILL HEATER(L); AURORA,SECC,T0.8	SNA	1
15	1	H092	DE61-00974A	STOPPER-GRILL HEATER(R); AURORA,SECC,T0.8	SNA	1
16	1	P259	DE61-00972A	BRACKET-GRILL HEATER; AURORA,STS430,T0.5,	SA	2
17	1	M008	DE63-20017A	GASKET-HEATER; -,BRASS,T1.5,OD30.5,ID22.5	SA	2
18	3	M438	DE47-20005A	THERMOSTAT; -,NT-101,250V 10A/125V 15A,-,	SA	1
19	2	P274	DE61-01014A	GUIDE AIR-MGT; AURORA PROJECT,SECC,T0.5,-	SNA	1
20	1	M035	OM75P(20)MTMN	ASSY-MGT; ASSY-MGT		1
21	1	P179	DE94-01704A	ASSY GUIDE AIR-DAMPER; -,-,AURORA PROJECT	SA	1
21-1	2	M384	DE61-01010A	GUIDE AIR-DAMPER; AURORA,NYLON#66,-,-,-,B	SNA	1
22	1	M539	DE31-10173B	MOTOR DRIVE; M2LJ29A709,FQ159ST,FREE,29.1	SA	1
23	1	B022	DE96-00518A	ASSY BODY LATCH-R; FQ159ST,1.5 CU.FT CONV	SA	1
23-1	2	B048	3405-001034	SWITCH-MICRO; 125/250VAC,16A,200gf,SPST-N	SA	1
23-2	2	B046	3405-001032	SWITCH-MICRO; 125/250VAC,16A,200GF,SPDT	SA	1
23-3	2	B024	DE96-00519A	ASSY BODY LATCH SUB; FQ159ST,1.5CU.FT,NY	SA	1
23-3-1	1	H092	DE61-00974A	STOPPER-GRILL HEATER(R); AURORA,SECC,T0.8	SNA	1
23-3-2	3	B013	DE66-00173A	LEVER-SWITCH LOWER; 1.5 CONV,NYLON#66,GF1	SA	1
24	1	T084	DG61-00092A	CLIP-STIRRER(A); FQ159ST,TEFRON,-,-,PFA	SA	4

Exploded Views and Parts List

No.	Lvl.	Loc.	Material Code	Description & Specification	SNA	Qty.
25	2	M078	DE69-90054A	CLIP-STIRRER; 5mm,PFA,CM1819/29	SNA	2
26	1	T083	DE97-00740A	ASSY COVER-CEILING; AURORA STEAM,-,-,1.3C	SA	1
26-1	2	H089	DE94-01760A	ASSY COVER-CEILING SUB; AURORA STEAM,-,-,	SA	1
27	1	P001	DE97-00723B	ASSY STIRRER; CQ138T-G/XEF,1.3 CU.FT	SA	1
27-1	2	T037	DE61-01016A	HOLDER-STIRRER; AURORA PROJECT,TEFRON,WHI	SA	1
27-2	2	T038	DE61-01029A	HOLDER-TIP; AURORA,TEFRON,6.5(TOTAL10.5),	SA	1
27-3	2	T036	DE61-00979A	BLADE-STIRRER; AURORA,ALUMINUM,T0.6,W92*9	SNA	1
27-4	2	M078	DE69-90054A	CLIP-STIRRER; 5mm,PFA,CM1819/29	SNA	2
27-5	2	T084	DG61-00092A	CLIP-STIRRER(A); FQ159ST,TEFRON,-,-,PFA	SA	2
28	1	M223	DE97-00716B	ASSY-BOTTOM HEATER; AURORA STEAM,-,-,-,	SA	1
28-1	2	H061	DE47-00046A	HEATER SHEATH; SHB-E365A,HS-C365A,500W,23	SNA	1
28-2	3	P265	DE61-00971B	BRACKET-BOTTOM HEATER; DDM 1.3cuft,ALSTAR	SNA	1
28-2-1	2	H086	DE97-00735B	ASSY BRACKET-BOTTOM HEATER; AURORA STEAM,	SA	1
28-2-2	3	M133	DE62-00064A	ADIABATIC-LOWER; AURORA PROJECT,FIBER GLA	SA	1
28-2-3	3	M241	DE63-00458B	COVER-BOTTOM HEATER; DDM 1.3cuft,ALSTAR,T	SNA	1
29	4	P082	DE61-00975A	BRACKET-MOTOR; AURORA,SPP,T0.5,W110,L70,-	SNA	1
30	1	M410	DE94-01825A	ASSY-TUBE STEAM; AURORA STEAM,-,TUBE+HOLD	SA	1
30-1	2	M402	DE61-01037A	HOLDER-HOSE; 13,1.0	SNA	2
30-2	2	M403	DE62-00068A	TUBE-STEAM; STEAM OVEN,SILICON,13,160	SNA	1
31	1	S130	DE94-01725B	ASSY-NOZZLE STEAM; SQ4111B,PPS,AURORA STE	SNA	1
32	1	M155	DE96-00713D	ASSY BASE PLATE; CQV137-B/XEF,-,-,AURORA	SNA	1
32-1	2	H085	DE97-00743A	ASSY COVER-BASE PLATE; AURORA STEAM,-,-,1	SA	1
32-1-1	3	W080	DE96-00711A	ASSY WIRE HARNESS-B; AURORA STEAM,220V60H	SA	1
32-1-2	3	P325	DE63-00485A	COVER-BASE PLATE; STEAM,PC,-,-,-,BLAC	SNA	1
32-1-3	3	S135	DE63-00490A	GASKET-NOZZLE WATER; STEAM OVEN,SILICON 3	SA	1
32-1-4	3	S134	DE62-00065A	NOZZLE-WATER; STEAM OVEN,PP,-,-,-,NATUR	SA	1
32-2	2	M045	DE94-01736A	ASSY BASE PLATE SUB; HS-XC364AB,-,,-	SA	1

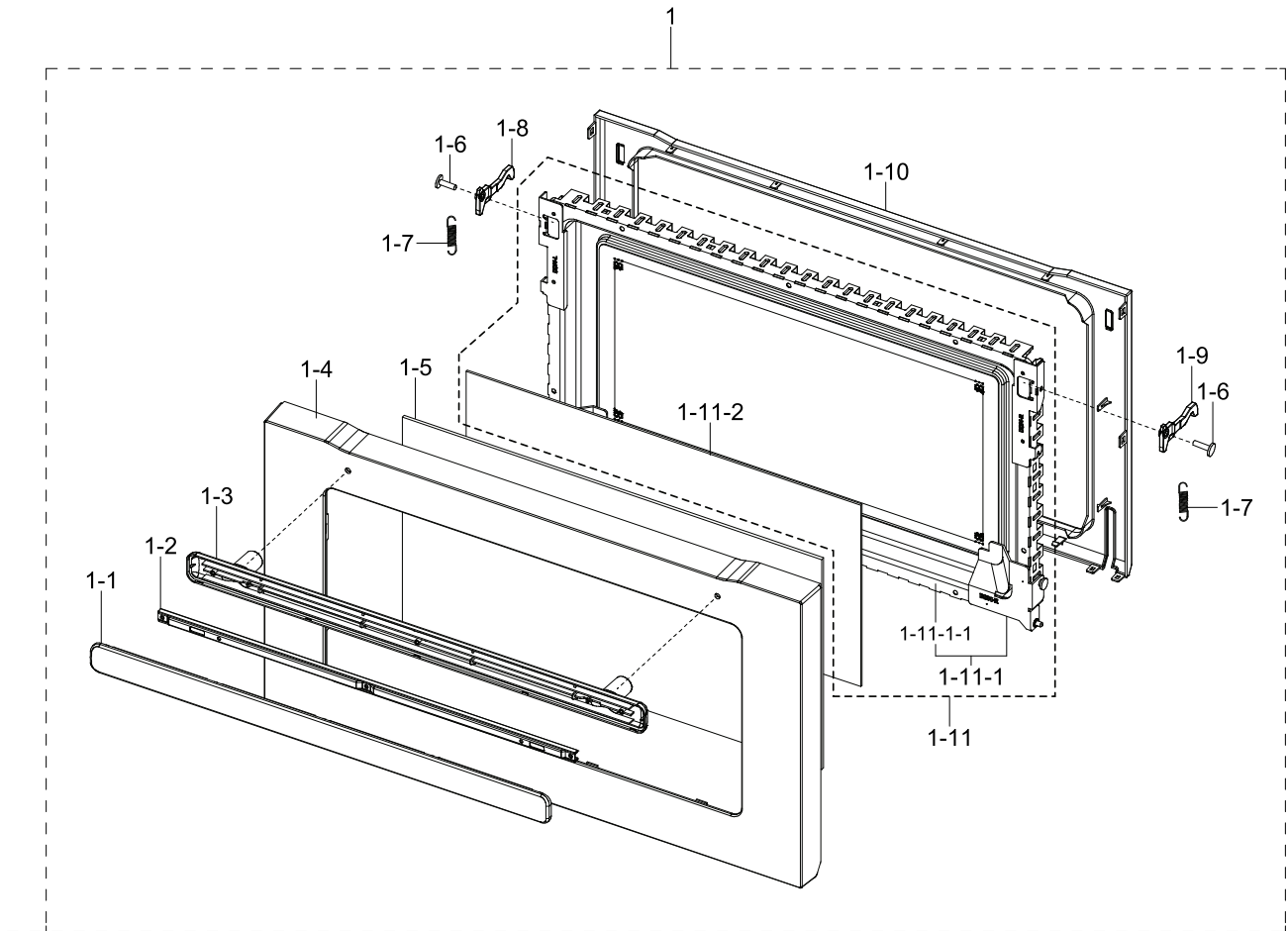
No.	Lvl.	Loc.	Material Code	Description & Specification	SNA	Qty.
32-2-1	3	M048	DE61-01022A	BASE-PLATE; STEAM OVEN,SGCC,T0.6,-,-,-,-	SNA	1
32-2-2	3	M131	DE65-20005A	WIRE-SADDLE; 2N,-,-,-,-	SA	3
32-2-3	3	M406	DE63-00491A	GASKET-BASE PLATE; STEAM OVEN,EPDM,BLK,50	SA	1
32-3	2	M407	DE94-01761A	ASSY HOLDER-PUMP; AURORA STEAM,-	SA	1
32-3-1	3	P199	DE61-01024A	BRACKET-HOLDER PUMP; STEAM OVEN,SCGG,T0.6	SNA	1
32-3-2	3	M408	DE96-00714A	ASSY MOTOR-PUMP; HS-XC364AB,DC5V,-,-,-	SNA	1
32-3-2-1	4	W043	DE96-00712A	ASSY WIRE HARNESS-MOTOR; AURORA STEAM,220	SNA	1
32-3-2-3	4	M004	DE31-00053A	MOTOR PUMP; 2,DC6V,Max 280mA,Ball bearing	SNA	1
32-3-3	3	P322	DE61-01025A	HOLDER-PUMP; STEAM OVEN,PP,-,-,-,NATURAL,	SNA	1
32-4	2	P323	DE96-00760D	ASSY-HEATER STEAM; CQV137-S/XEF,AURORA ST	SNA	1
32-4-1	3	M409	DE91-70083A	ASSY THERMISTOR; Aurora,PTM-K312-S5,-20	SNA	1
32-4-2	4	X085	DE94-01967A	ASSY STEAMER; ATAG STEAM,STS,STS PIPE WEL	SNA	1
32-4-3	3	P324	DE47-00047D	HEATER-STEAM; SHST-D365A,HS-XC364AB,780W,	SA	1
32-4-4	2	H014	DE61-00976B	BRACKET-CASING; ATAG STEAM,STS202,T0.5	SNA	1
32-4-5	3	M448	DE47-20017B	THERMOSTAT; NT-101,250V 10A/125V 15A,150/	SC	1
32-5	2	H082	DE94-01801A	ASSY-CONNECTOR SAFTY VALVE; AURORA STEAM,	SA	1
32-5-1	3	M405	DE61-01038A	HOLDER-HOSE A; 5.5,0.8	SNA	1
32-5-2	3	X059	DE62-00069C	TUBE-WATER; STEAM OVEN,SILICON,5.5,50	SA	1
32-5-3	3	H083	DE37-00002A	CONNECTOR-SAFTY CHECK; HS-XC364AB	SA	1
32-5-4	3	X059	DE62-00069B	TUBE-WATER; STEAM OVEN,SILICON,5.5,200	SA	1
32-6	2	H084	DE94-01963A	ASSY-CONNECTOR SAFTY VALVE(B); ATAG STEAM	SA	1
32-6-1	3	X064	DE62-00069H	TUBE-WATER(E); ATAG STEAM,SILICON,6,265	SNA	1
32-6-2	3	X063	DE62-00069D	TUBE-WATER(A); ATAG STEAM,SILICON,6,100	SNA	1
35	2	S133	DE63-00560A	GASKET-NOZZLE STEAM; CQV137,SILICON 300,B	SNA	1
36	1	M174	DE63-00132A	GASKET-TEFLON; PG81/PG83,TEFLON,T1.5,PI28	SA	2
37	2	H061	DE47-00046A	HEATER SHEATH; SHB-E365A,HS-C365A,500W,23	SNA	1
38	1	P271	DE97-00731B	ASSY SUPPORT-RACK(R); NEW AURORA STEAM,ST	SNA	1

Exploded Views and Parts List

No.	Lvl.	Loc.	Material Code	Description & Specification	SNA	Qty.
38-1	2	T137	DE61-01020A	FOOT-RACK; AURORA PROJECT,TEFRON,WHITE,1.	SA	4
38-2	2	P272	DE61-01013B	SUPPORT-RACK(R); NEW AURORA STEAM,STS304	SNA	1
40	1	M225	DE96-00540A	ASSY HOLDER RACK; 1.5 CONV,STSS+TEFRON	SA	2
41	1	P269	DE97-00730B	ASSY SUPPORT-RACK(L); NEW AURORA STEAM,ST	SA	1
41-1	2	T137	DE61-01020A	FOOT-RACK; AURORA PROJECT,TEFRON,WHITE,1.	SA	4
41-2	2	P270	DE61-01012B	SUPPORT-RACK(L); NEW AURORA STEAM,STS304	SNA	1
42	1	P267	DE97-00741A	ASSY DUCT-AIR; AURORA STEAM,ALSTAR,T0.5,1	SA	1
43	1	M054	DE32-10013A	SENSOR; PTM-K312-K2,MG620440,-20to+310C,1	SA	1
44	1	B023	DE96-00694A	ASSY BODY LATCH-L; AURORA PROJECT,-	SA	1
44-1	3	B048	3405-001034	SWITCH-MICRO; 125/250VAC,16A,200gf,SPST-N	SA	1
44-2	2	B045	DE61-01007A	LATCH-BODY L; AURORA 1.3cuft,Nylon #66,-,	SA	1
45	1	H067	DE93-00002D	ASSY CASING; ATAG STEAM,-,STS 304	SA	1
45-1	2	M090	DE67-00226B	FAN-CONVECTION; ATAG STEAM,STS202,T0.5	SA	1
45-2	2	H014	DE61-00976B	BRACKET-CASING; ATAG STEAM,STS202,T0.5	SNA	1
45-3	2	H015	DE63-00459B	COVER-CASING; SQ4111B/A01,SECC,T0.5,ATAG	SNA	1
45-4	2	H001	DE31-00052B	MOTOR CONVECTION; SMC-E365A-1,230V/50Hz,2	SA	1
45-5	2	H011	DE60-40014B	WASHER-C MOTOR; -,STS304,-,T1.0,-,-,-,Z	SA	1
46	1	P059	DE63-00481A	COVER-FRONT; AURORA PROJECT,PP TB53,-,-,-	SA	1
47	2	T002	DE63-00474A	TRAY-CERAMIC; AURORA PROJECT,CERAMIC,-,-,	SA	1
48	3	T081	DE63-00523A	TRAY-OVEN; AURORA PROJECT,AL,T1.0,-,-,-,-	SA	1
49	2	T082	DE66-00196A	WIRE-RACK; AURORA project,MSWR10	SA	1
53	1	W002	DE96-00766A	ASSY WIRE HARNESS-A; CQV137-S/XEF,230Hz 5	SNA	1

## 2. Assy Door

### Exploded View



### Parts List

No.	Lvl.	Loc.	Material Code	Description & Specification	SNA	Qty.
1	1	D049	DE94-01701J	ASSY DOOR; CQV137-S, GLASS, SILVER, STEAM	SA	1
1-1	2	D147	DE63-00471B	COVER HANDLE; HS-C364AS, PC, -, -, -, NEO	SA	1
1-2	2	Q086	DE61-00995A	BRACKET-HANDLE; HS-C364AB, SECC, T1.0, W33, L	SNA	1
1-3	2	D019	DE64-01900B	HANDLE-DOOR; HS-C364AS, PC, -, -, -, NEO STS	SA	1
1-4	2	D002	DE64-01913C	DOOR-A; CQ138T-G/XEF, CQ138T-ST/XE, PC, NEO	SA	1
1-5	2	D024	DE64-01945D	SCREEN-DOOR(B); CQ138S-G, Glass, T3.2, CLEAR	SNA	1
1-6	2	D017	DE60-60008A	PIN-HINGE; -, M301TBC, -, -, MSWR10, -, -, -	SA	2

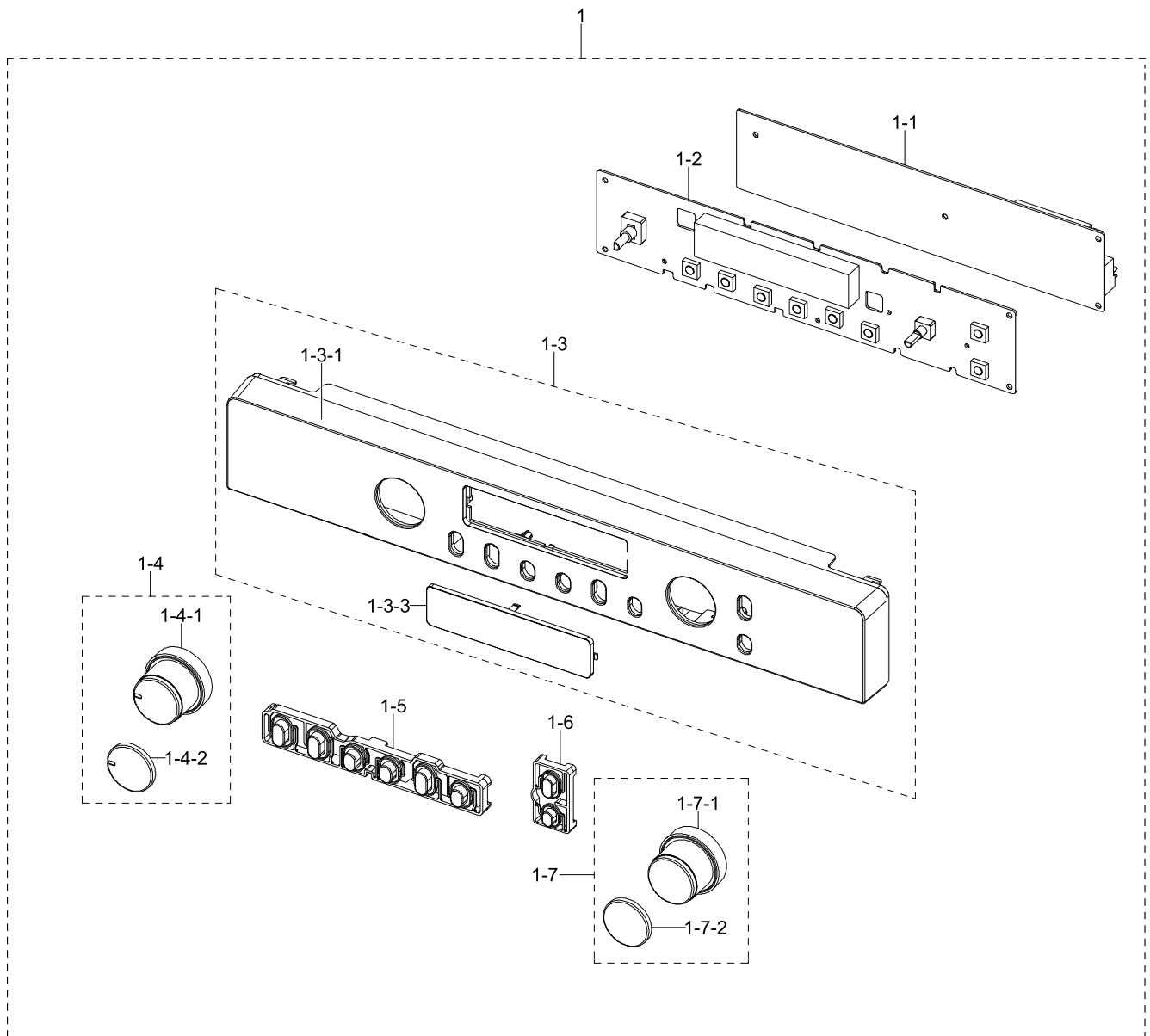
Exploded Views and Parts List

No.	Lvl.	Loc.	Material Code	Description & Specification	SNA	Qty.
1-7	2	D149	DE64-01940A	KEY-SPRING; AURORA PROJECT,SWP,1.3CU.FT	SA	2
1-8	2	D014	DE64-01596A	KEY-DOOR(L); 1.5 CONV,NYLON#66,-,-,-,DI	SA	1
1-9	2	D093	DE64-01595A	KEY-DOOR(R); 1.5 CONV,NYLON#66,-,-,-,DI	SA	1
1-10	2	D006	DE64-01958A	DOOR-C; STEAM OVEN,PBT (GF15%)-,-,-,-,BL	SA	1
1-11	2	D004	DE94-01659C	ASSY DOOR E-SEALANT; AURORA,-,BLK,HEAT-RE	SA	1
1-11-1	3	D004	DE94-01659A	ASSY DOOR E-COATING; AURORA PROJECT,-,BLK	SA	1
1-11-1-1	4	D137	DE94-01659B	ASSY DOOR-WELDING; AURORA PROJECT,-,-,1.3	SNA	1
1-11-2	3	D003	DE64-01916A	SCREEN-DOOR(A); AURORA PROJECT,Glass,T=2.	SNA	1



### 3. Assy Control Box

#### Exploded View



#### Parts List

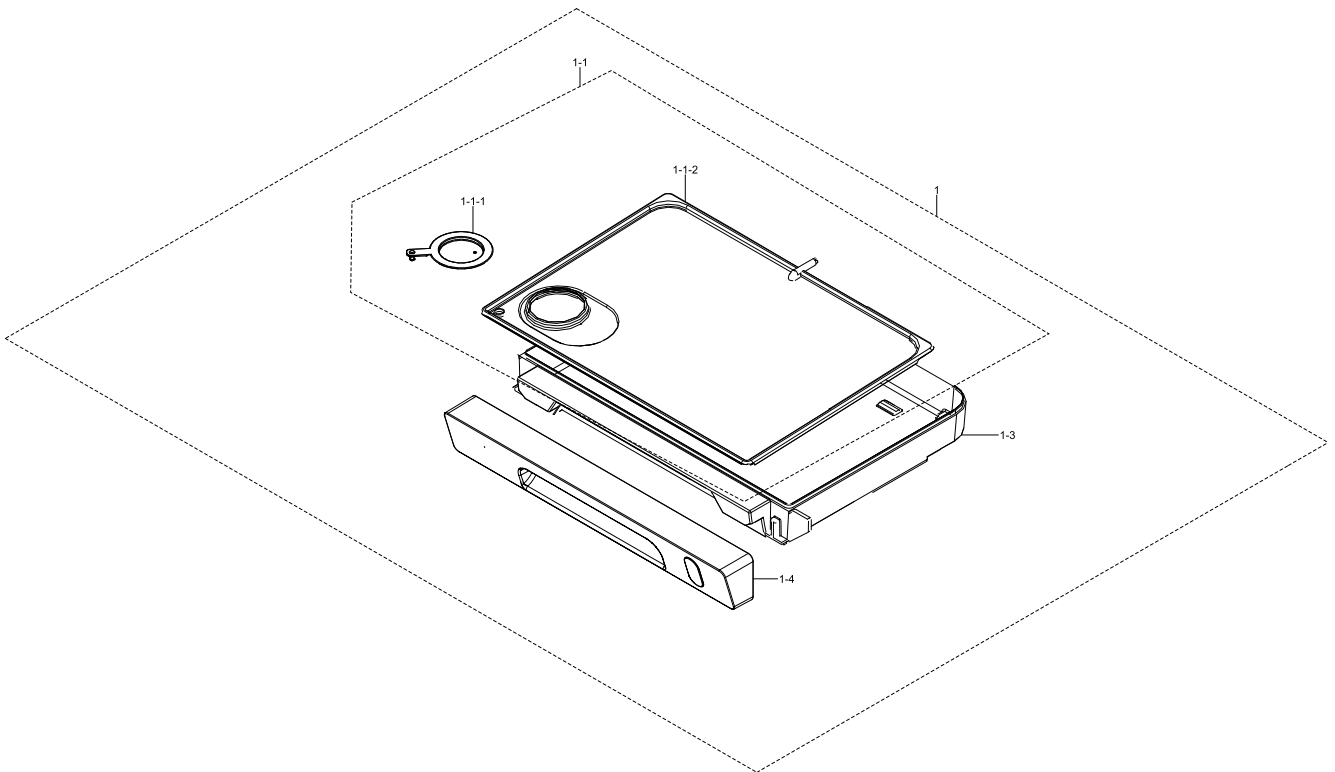
No.	Lvl.	Loc.	Material Code	Description & Specification	SNA	Qty.
1	1	C082	DE97-00717R	ASSY CONTROL BOX; CQV137-S,-,SILVER,-,1.3	SNA	1
1-1	2	C003	RCS-AURORA-06	RCS-AURORA-06,PCB; RCS-AURORA-06,PCB		1
1-2	2	C154	DE96-00700E	ASSY DISPLAY; CQV137-S,DAM-AURORA-04,AMBE	SA	1
1-3	2	C001	DE94-01661R	ASSY CONTROL PANEL; CQV137-S,SILVER,-,1.3	SA	1
1-3-1	3	C005	DE64-01902R	CONTROL-PANEL; CQV137-S,PC,-,-,-,-,SILVER	SNA	1

Exploded Views and Parts List

No.	Lvl.	Loc.	Material Code	Description & Specification	SNA	Qty.
1-3-3	3	C009	DE64-01904A	WINDOW-DISPLAY; AURORA,SAN,CR5381,-,-,-,S	SA	1
1-4	2	C272	DE97-00732B	ASSY KNOB DIAL-(R); HS-C364AS,-,NEO STS S	SA	1
1-4-1	3	C162	DE64-01907B	KNOB-DIAL(R); HS-C364AS,PC,NEO STS SILVER	SA	1
1-4-2	3	C244	DG67-00020A	CAP-DIAL ENCODER; JM,AL,STS SILVER,SPIN H	SA	1
1-5	2	C011	DE64-01905F	BUTTON-SELECT(A); CQV137-S,PC,-,-,SILVER,	SA	1
1-6	2	C012	DE64-01906E	BUTTON-SELECT(B); CQV137-S,PC,SILVER,1.3C	SA	1
1-7	2	C273	DE97-00733B	ASSY KNOB DIAL-(L); HS-C364AS,-,NEO STS S	SA	1
1-7-1	3	C161	DE64-01908B	KNOB-DIAL(L); HS-C364AS,PC,NEO STS SILVER	SA	1
1-7-2	3	C245	DG67-00020B	CAP-DIAL SELECT; JM,AL,STS SILVER,SPIN HA	SA	1

## 4. Assy Bowl Water

### Exploded View



### Parts List

No.	Lvl.	Loc.	Material Code	Description & Specification	SNA	Qty.
1	1	X055	DE90-00963A	ASSY BOWL-TANK; AURORA STEAM,-,-	SA	1
1-1	2	X057	DE97-00742A	ASSY COVER-BOWL; AURORA STEAM,-,-,1.3CU.F	SNA	1
1-1-1	3	X058	DE67-00231A	CAP-WATER TANK; STEAM OVEN,PP,-,-,-,CLEAR	SNA	1
1-1-2	3	X019	DE63-00486A	COVER-BOWL WATER; STEAM OVEN,PC,-,-,-,-,-	SNA	1
1-3	3	X020	DE75-00060A	BOWL-WATER; STEAM OVEN,PC,-,-,-,-,-,CLEAR	SNA	1
1-4	3	X056	DE64-01959A	HANDLE-BOWL WATER; STEAM OVEN,PC,-,-,-,-,-	SNA	1