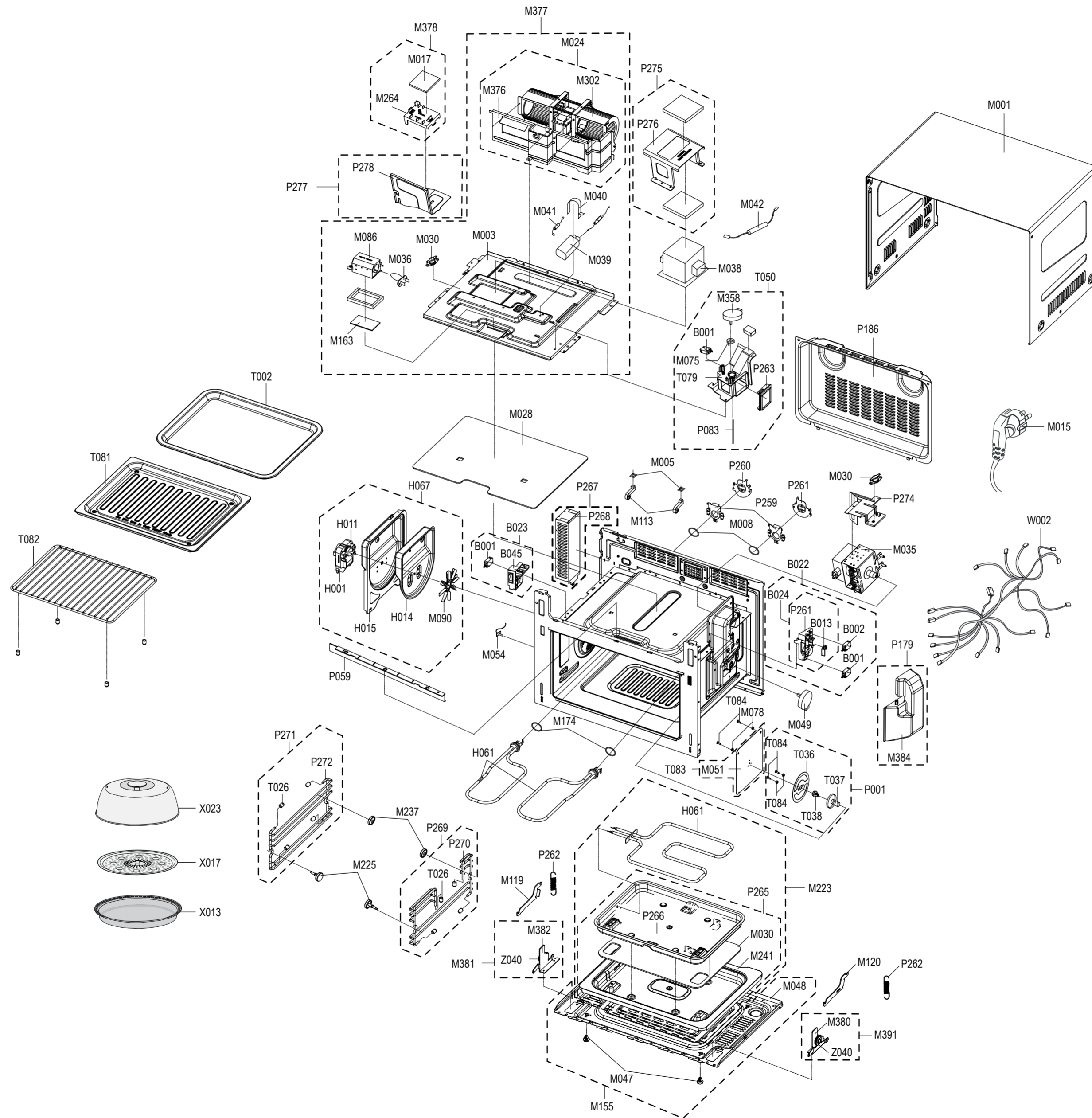


# 5. Exploded Views and Parts List

## 5-1 Exploded Views



## 5-2 Main Parts List

(CQ138T-G,CQ138T-ST)

(SNA : SERVICE NOT AVAILABLE)

No.	Code No.	Description	Specification	Q'ty	SA/ SNA	Remark
B001	3405-001034	SWITCH-MICRO	125/250VAC,16A,200gf,SPST-N	1	SA	-
B001	3405-001034	SWITCH-MICRO	125/250VAC,16A,200gf,SPST-N	1	SA	-
B001	3405-001034	SWITCH-MICRO	125/250VAC,16A,200gf,SPST-N	1	SA	-
B002	3405-001032	SWITCH-MICRO	125/250VAC,16A,200GF,SPDT	1	SA	-
B013	DE66-00173A	LEVER-SWITCH LOWER	1.5 CONV,NYLON#66,GF1	1	SNA	-
B022	DE96-00518A	ASSY BODY LATCH-R	FQ159ST,1.5 CU.FT CONV	1	SNA	-
B023	DE96-00694A	ASSY BODY LATCH-L	AURORA PROJECT,-	1	SA	-
B024	DE96-00519A	ASSY BODY LATCH SUB	-,1.5CU.FT,'NYLON#66	1	SA	-
B045	DE61-01007A	BODY-LATCH L	AURORA 1.3cuft,Nylon #66,-,	1	SA	-
H001	DE31-00052A	MOTOR CONVECTION	SMC-E365A,-,-,-,230V/	1	SA	-
H011	DE60-40014B	WASHER-C MOTOR	M16,T1.0,SECC,ZNC3,-,-,-,	1	SNA	-
H014	DE61-00976A	BRACKET-CASING	AURORA,ALSTAR,T0.5,W240,L	1	SNA	-
H015	DE63-00459A	COVER-CASING	AURORA,SECC,T0.5,W300,L270,	1	SNA	-
H061	DE47-00045A	HEATER SHEATH	SHG-E365A,HS-C365A,-,750W,	2	SA	-
H061	DE47-00046A	HEATER SHEATH	SHB-E365A,HS-C365A,-,500W,	1	SA	-
H067	DE93-00002A	ASSY CASING	AURORA PROJECT,-,-	1	SA	-
M001	DE64-01869D	PANEL-OUTER	CQ138T,SECC,T0.6,-,-,-,NEO S	1	SA	-
M003	DE61-00964A	BRACKET-UPPER	AURORA,SECC,T0.8,W480,L400	1	SNA	-
M005	DE61-70060A	SPRING-PLATE	-,SK-5,T0.5,-,-,-,-,-,-,-	2	SA	-
M008	DE63-20017A	GASKET-HEATER	-,BRASS,T1.5,OD30.5,ID22.5	2	SA	-
M015	DE96-00385A	ASSY POWER CORD	EU(ST),EURO,230V/50Hz,TL	1	SA	-
M017	DE96-00399F	ASSY NOISE FILTER	AURORA STEAM,SN-UF11F,	1	SA	-
M024	DE90-00938A	ASSY MOTOR-VENTILATION	-,-,220V,-,AURORA	1	SA	-
M028	DE62-00063A	ADIABATIC-UPPER	AURORA PROJECT,F/GLASS,3	1	SA	-
M030	DE47-20005A	THERMOSTAT	PW-2N(130/60)187Y30,250V7.5A,	1	SA	-
M030	DE47-20010A	THERMOSTAT	PW-2N(120/60)187Y,250V7.5A,12	1	SA	-
M035	OM75P(20)MTMN	ASSY-MGT		1	SA	-
M036	4713-001046	LAMP-INCANDESCENT	240V,104mA,25W,ORG,-,-	1	SA	-
M038	DE26-00149A	TRANS H.V	SHV-E10A,230V,50Hz,2435V/3.30V	1	SA	-
M039	2501-001015	C-OIL	1.0uF,2100V,BK,35X54X80,20mm	1	SA	-
M040	DE61-00139A	BRACKET-HVC	NC2000,SECC,T0.8,-,-,-,0.6/0	1	SNA	-
M041	0402-001554	DIODE-RECTIFIER	HV03-12T01,12000V,0.4A,D	1	SA	-
M042	DE91-70061A	ASSY-H.V.FUSE	THV060T-0800-H,5KV/0.80A,W	1	SA	-
M047	DE61-40065A	FOOT	-,PP,T2x22x17mm,BLK,-,-,-	4	SNA	-
M048	DE61-00961A	BASE-PLATE	AURORA,SGCC,T0.6,W395,L575,-,	1	SNA	-
M049	DE31-10173B	MOTOR DRIVE	M2LJ29A709,FQ159ST,-,FREE,-,	1	SA	-
M051	DE63-00457A	COVER-CEILING	AURORA,MICA PAPER,T0.5,W15	1	SNA	-
M054	DE32-10013A	SENSOR THERMISTOR	PT-312-K2,-,-,-,-,-,-	1	SA	-
M075	DE66-00176A	CAM-MOTOR	1.5CONV,POM(K300NTR),-,-,-,-,-	1	SNA	-
M078	DE69-90054A	CLIP-STIRRER	5mm,PFA,CM1819/29,-,	2	SNA	-
M086	DE63-00460A	COVER-LAMP	AURORA,STS430,T0.4,W174,L126,	1	SA	-
M090	DE67-00226A	FAN-CONVECTION	AURORA,ALSTAR,T0.6,W125,L	1	SA	-
M113	DE61-01030A	SUPPORT-HEATER	AURORA,ALUMINA,T12,-,-,IV	2	SA	-
M119	DE66-00103A	ARM-SILDER(R)	TBMO,SCP1,T2.0,-,-,-,-	1	SNA	-

## 5-2 Main Parts List

(SNA : SERVICE NOT AVAILABLE)

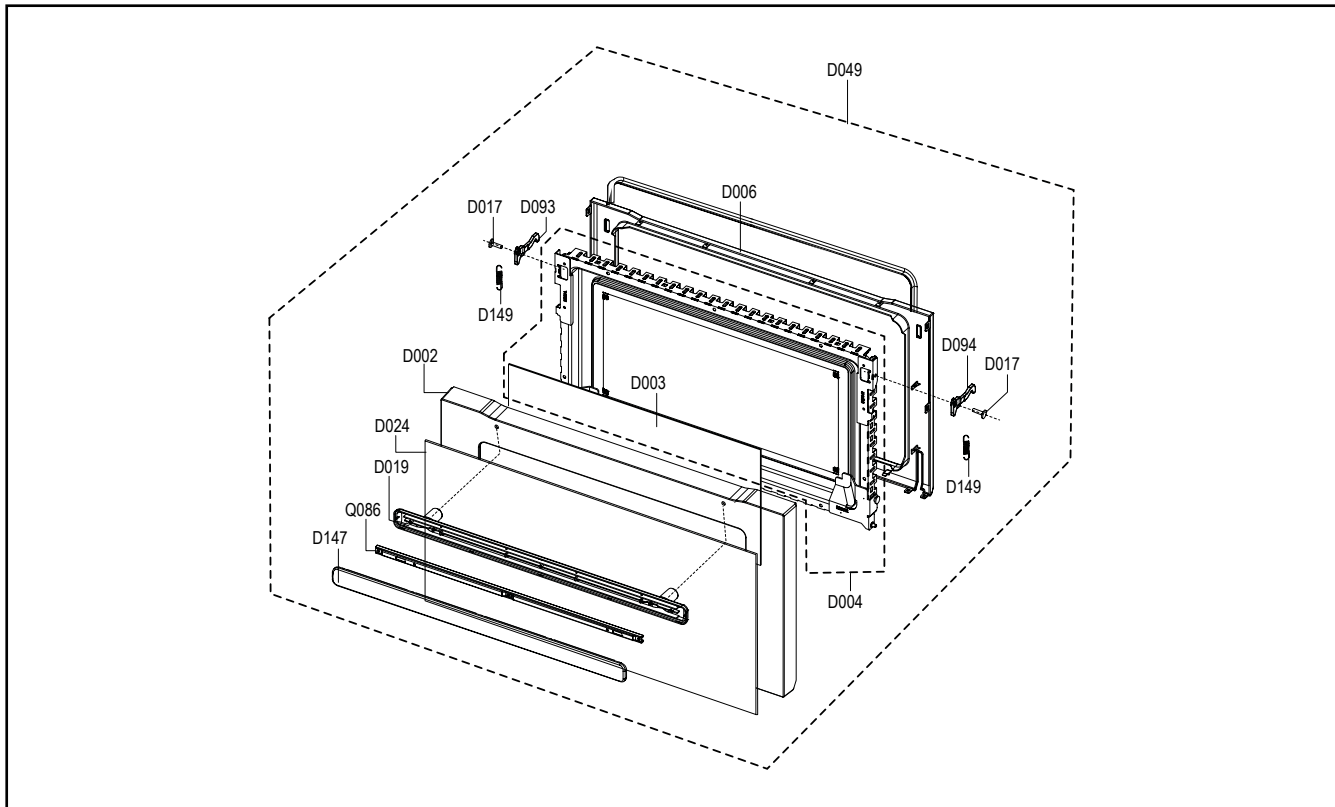
No.	Code No.	Description	Specification	Q'ty	SA/ SNA	Remark
M120	DE66-00102A	ARM-SLIDER(L)	TBMO,SCP1,T2.0,-,-,TOAST	1	SNA	-
M155	DE96-00695B	ASSY BASE PLATE	CQ138S-G,-,0.6t,-	1	SNA	-
M163	DE64-01917A	GLASS-LAMP	AURORA PROJECT,GLASS,T=2.0,-,	1	SNA	-
M174	DE63-00132A	GASKET-TEFLON	PG81/PG83,TEFLON,T1.5,PI28	2	SNA	-
M223	DE97-00716A	ASSY-BOTTOM HEATER	AURORA PROJECT,-,1.3C	1	SA	-
M225	DE96-00540A	ASSY HOLDER RACK	1.5 CONV,STSS+TEFRON	2	SA	-
M237	DE61-01018A	HOLDER-SUPPORT(REAR)	AURORA PROJECT,TEFR	2	SA	-
M241	DE63-00458A	COVER-BOTTOM HEATER	AURORA,SECC2,T0.5,W4	1	SNA	-
M264	DE61-01003A	HOLDER-NOISE FILTER	AURORA,PP(TB53),-,-,	1	SA	-
M302	DE31-00051A	MOTOR BLOWER	SMB-E365A,-,-,-,230V/50Hz	1	SA	-
M358	DE31-10098A	MOTOR SYNCHRONOUS	M2LB24ZR92,220/240V,50	1	SA	-
M376	DE61-00992A	BRACKET-VENT(A)	AURORA,SECC,T0.5,W505,L1	1	SNA	-
M377	DE93-00001B	ASSY BRACKET-UPPER	CQ138ST,-,-,-	1	SNA	-
M378	DE94-01660B	ASSY HOLDER-NOISE FILTER	AURORA STEAM,-	1	SNA	-
M380	DE61-00970A	BRACKET-SLIDER(R)	DDM 1.3cuft,SECC,T2.0,	1	SNA	-
M381	DE97-00720A	ASSY BRACKET-SLIDER(L)	AURORA PROJECT,-,	1	SA	-
M382	DE61-00969A	BRACKET-SLIDER(L)	AURORA,SCP1,T2.0,-,-,-	1	SNA	-
M384	DE61-01010A	GUIDE AIR-DAMPER	AURORA,NYLON #66,-,-,-,	1	SA	-
M391	DE97-00719A	ASSY BRACKET-SLIDER(R)	AURORA PROJECT,-,	1	SA	-
P001	DE97-00723A	ASSY STIRRER	AURORA PROJECT,1.3CU.FT	1	SA	-
P059	DE63-00481A	COVER-FRONT	AURORA PROJECT,PP TB53,-,-,-	1	SA	-
P083	DE72-00040B	DAMPER-PIN	AURORA PROJECT,MSWR,-,PI=2,-,	1	SNA	-
P179	DE94-01704A	ASSY GUIDE AIR-DAMPER	-,-,AURORA PROJECT	1	SA	-
P186	DE63-00455A	COVER-BACK	AURORA,SGCC,T0.6,W520,L370,-,	1	SA	-
P259	DE61-00972A	BRACKET-GRILL HEATER	AURORA,STS430,T0.5,	2	SA	-
P260	DE61-00973A	STOPPER-GRILL HEATER(L)	AURORA,SECC,T0.8	1	SNA	-
P261	DE61-00974A	STOPPER-GRILL HEATER(R)	AURORA,SECC,T0.8	1	SNA	-
P262	DE66-00200A	ARM-SPRING	HS-C365AST,HSWR,-,-,-,BLUING,	2	SA	-
P263	DE66-00194A	DAMPER	AURORA,NYLON #66,-,-,-,-,BLACK	1	SA	-
P265	DE97-00735A	ASSY BRACKET-BOTTOM HEATE	AURORA PROJEC	1	SA	-
P266	DE61-00971A	BRACKET-BOTTOM HEATER	AURORA,SECC,T0.5,W	1	SNA	-
P267	DE97-00725A	ASSY DUCT-AIR	AURORA PROJECT,SECC,T0.5,1	1	SA	-
P268	DE67-00227A	DUCT AIR-INNER	AURORA PROJECT,SECC,T0.5,	1	SNA	-
P269	DE97-00730A	ASSY SUPPORT-RACK(L)	AURORA PROJECT,1.3c	1	SA	-
P270	DE61-01012A	SUPPORT-RACK(L)	AURORA PROJECT,MSWR10,-,	1	SNA	-
P271	DE97-00731A	ASSY SUPPORT-RACK(R)	AURORA PROJECT,1.3c	1	SA	-
P272	DE61-01013A	SUPPORT-RACK(R)	AURORA PROJECT,MSWR10,-,	1	SNA	-
P274	DE61-01014A	GUIDE AIR-MGT	AURORA PROJECT,SECC,T=0.5,	1	SA	-
P275	DE97-00737A	ASSY BRACKET-HVT	-,AURORA PROJECT,1.3 CO	1	SA	-
P276	DE61-00978A	BRACKET-HVT	AURORA,SECC,T1.6,W303,L133,-	1	SNA	-
P277	DE94-01840A	ASSY BRACKET-VENT(B)	HS-C364AB,-,-,AUROR	1	SA	-
P278	DE61-00993A	BRACKET-VENT(B)	AURORA,SECC,T0.5,W220,L1	1	SNA	-
T002	DE63-00474A	TRAY-CERAMIC	AURORA PROJECT,CERAMIC,-,-,	1	SA	-
T026	DE61-01020A	FOOT-RACK	AURORA PROJECT,TEFRON,-,WHITE,	4	SA	-

## 5-2 Main Parts List

(SNA : SERVICE NOT AVAILABLE)

No.	Code No.	Description	Specification	Q'ty	SA/ SNA	Remark
T026	DE61-01020A	FOOT-RACK	AURORA PROJECT,TEFRON,-,WHITE,	4	SA	-
T036	DE61-00979A	BLADE-STIRRER	AURORA,ALUMINUM,T0.6,W92*9	1	SNA	-
T037	DE61-01016A	HOLDER-STIRRER	AURORA PROJECT,TEFRON,-,-	1	SNA	-
T038	DE61-01029A	HOLDER-TIP	AURORA,TEFRON,-,-,6.5(TOTAL10	1	SNA	-
T050	DE97-00715A	ASSY DAMPER	AURORA PROJECT,-,BLACK	1	SA	-
T079	DE61-00999A	GUIDE-DAMPER	AURORA,NYLON#66,-,-,-,BLK,1	1	SA	-
T081	DE63-00523A	TRAY-OVEN	AURORA PROJECT,AL,T1.0,-,-,-,-	1	SA	-
T082	DE66-00196A	WIRE-RACK	AURORA project,MSWR10,-,-,-	1	SNA	-
T082	DE66-00201A	WIRE-RACK	CQ138T,MSWR10,-,-,-	1	SNA	-
T083	DE97-00722A	ASSY COVER-CEILING	AURORA PROJECT,-,-,1.	1	SA	-
T084	DG61-00092A	CLIP-STIRRER(A)	FQ159ST,TEFRON,-,-,PFA	2	SNA	-
T084	DG61-00092A	CLIP-STIRRER(A)	FQ159ST,TEFRON,-,-,PFA	2	SNA	-
W002	DE96-00697A	ASSY WIRE HARNESS-A	-,230V50HZ,AURORA PR	1	SA	-
X013	DE63-00513A	TRAY-STEAMER	CE117AE-X,ALUMINIUM,T0.8,25	1	SA	-
X017	DE70-00565A	PLATE-STEAMER	CE117AE-X,ALUMINIUM,-,T1.0	1	SA	-
X023	DE94-01759A	ASSY STEAMER SUB	CE117AE,STSS,NEW STEAME	1	SNA	-
Z040	DE66-30062A	ROLLER-GUIDE	POM,PI25,NTR,RE-CH1,-,-	1	SNA	-
Z040	DE66-30062A	ROLLER-GUIDE	POM,PI25,NTR,RE-CH1,-,-	1	SNA	-

## 5-3 Door Parts List

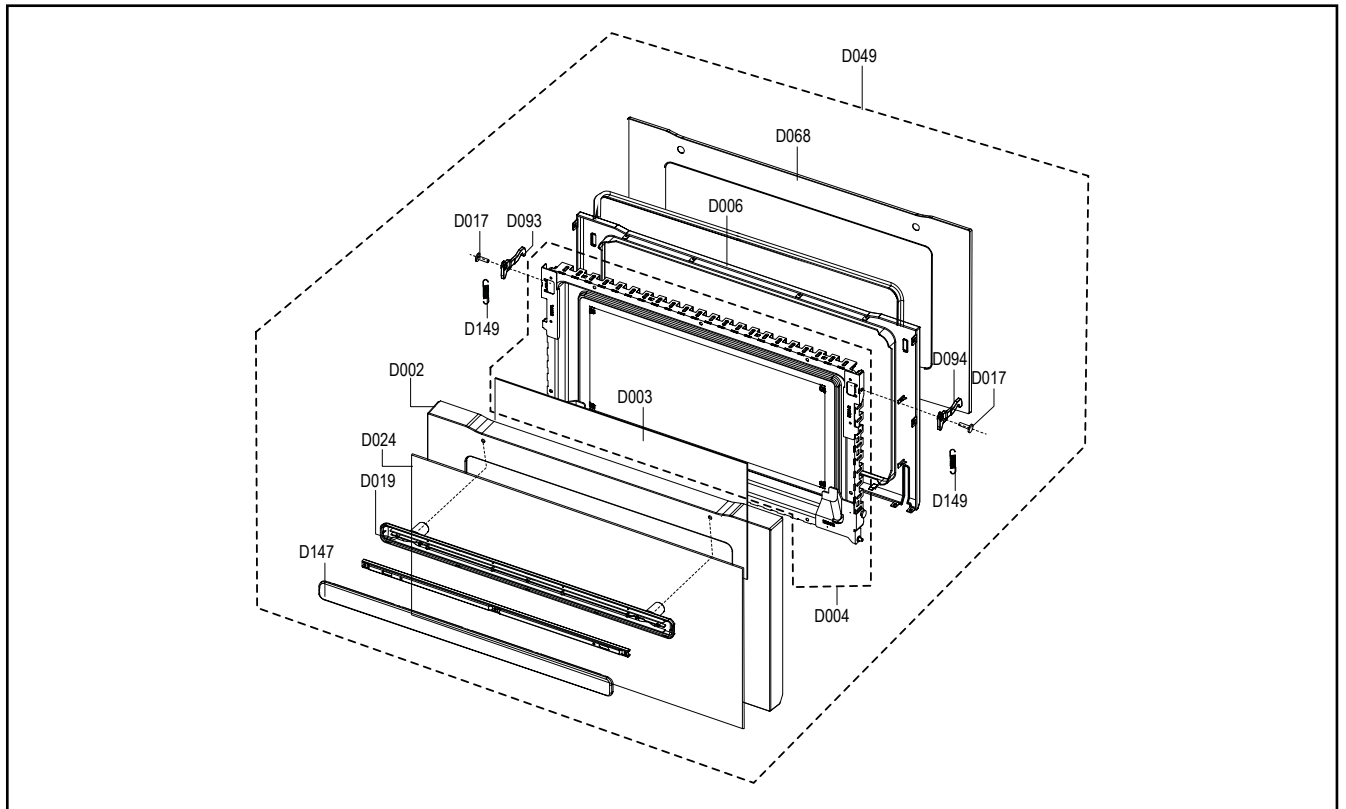


(CQ138T-G)

(SNA : SERVICE NOT AVAILABLE)

No.	Code No.	Description	Specification	Q'ty	SA/SNA	Remark
D002	DE64-01913C	DOOR-A	CQ138T-G/XEF,CQ138T-ST/XE,PC,-	1	SA	-
D003	DE64-01916A	SCREEN-DOOR(A)	AURORA PROJECT,Glass,T=2.	1	SA	-
D004	DE94-01659C	ASSY DOOR E-SEALANT	BLK,-,AURORA,HEAT-RE	1	SNA	-
D006	DE64-01901A	DOOR-C	AURORA,PBT(KP213),-,,-,,-,BLAC	1	SNA	-
D017	DE60-60008A	PIN-HINGE	PI4,L17,MSWR10,M301TBC,-,-,-,-	2	SNA	-
D019	DE64-01900B	HANDLE-DOOR	HS-C364AS,PC,-,-,-,-,NEO STS	1	SA	-
D024	DE64-01945D	SCREEN-DOOR(B)	CQ138S-G,Glass,T3.2,-,-,-	1	SNA	-
D049	DE94-01701E	ASSY DOOR	CQ138T-G/XEF,-,-,,-,Glass Door	1	SNA	-
D093	DE64-01595A	KEY-DOOR(R)	1.5 CONV,DIE CASTING,-,-,-,-	1	SA	-
D094	DE64-01596A	KEY-DOOR(L)	1.5 CONV,DIE CASTING,-,-,-,-	1	SA	-
D147	DE63-00471B	COVER HANDLE	HS-C364AS,PC,-,-,-,-,-,NEO	1	SA	-
D149	DE64-01940A	KEY-SPRING	AURORA PROJECT,SWP,-,-,-,-,1.	2	SNA	-

## 5-3 Door Parts List

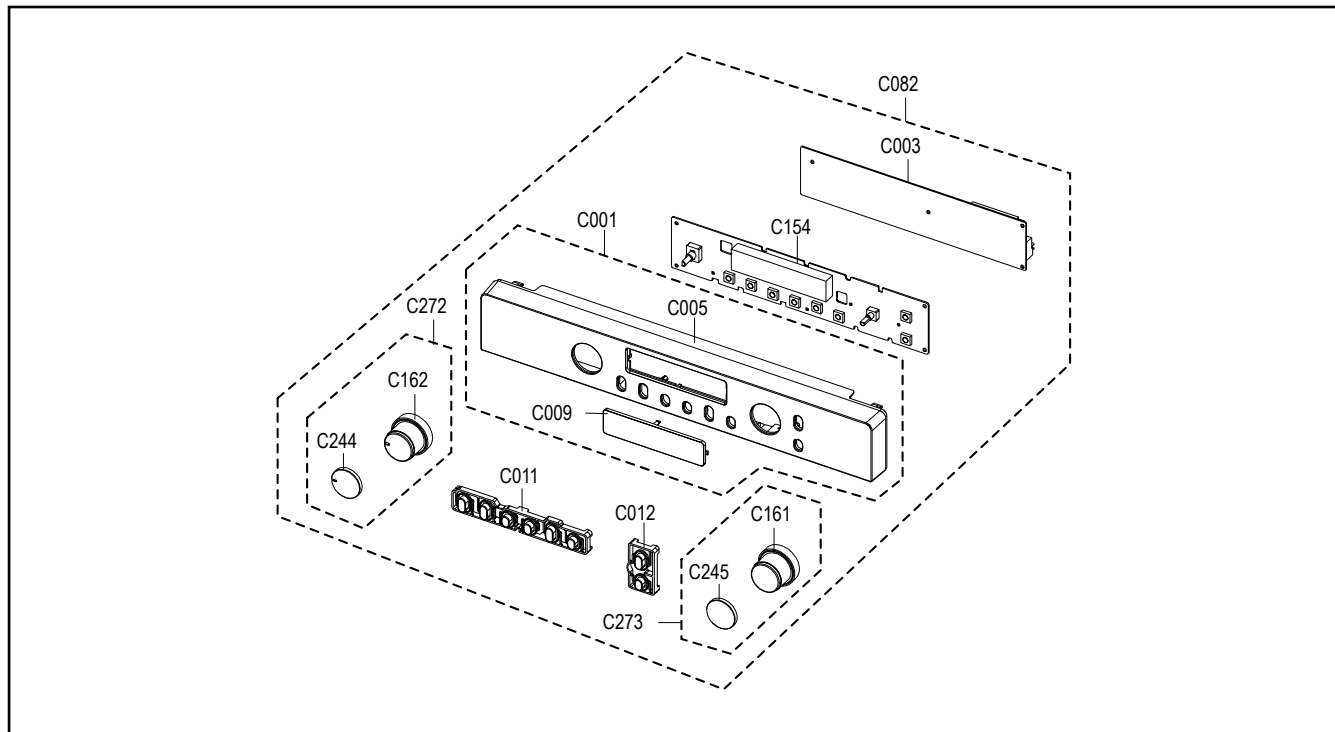


(CQ138T-ST)

(SNA : SERVICE NOT AVAILABLE)

No.	Code No.	Description	Specification	Q'ty	SA/SNA	Remark
D002	DE64-01913C	DOOR-A	CQ138T-G/XEF,CQ138T-ST/XE,PC,-,-,-	1	SA	-
D003	DE64-01916A	SCREEN-DOOR(A)	AURORA PROJECT,Glass,T=2.	1	SNA	-
D004	DE94-01659C	ASSY DOOR E-SEALANT	BLK,-,AURORA,HEAT-RE	1	SNA	-
D006	DE64-01901A	DOOR-C	AURORA,PBT(KP213),-,-,-,BLACK(K	1	SNA	-
D017	DE60-60008A	PIN-HINGE	PI4,L17,MSWR10,M301TBC,-,-,-,-	1	SNA	-
D019	DE64-01911A	HANDLE-DOOR	DDM 1.3cuft,AL PRESSING,-,-,-	1	SA	-
D024	DE64-01939B	SCREEN-DOOR(B)	CQ138ST,Glass,T=3.2,-,-,-,-	1	SNA	-
D049	DE94-01696B	ASSY DOOR	CQ138T-ST/XEF,-,-,-,CHASSIS DESI	1	SNA	-
D068	DE64-01909A	CHASSIS-DOOR	DDM 1.3cuft,STS,T0.4,-,-,-,-	1	SA	-
D093	DE64-01595A	KEY-DOOR(R)	1.5 CONV,DIE CASTING,-,-,-,-	1	SNA	-
D094	DE64-01596A	KEY-DOOR(L)	1.5 CONV,DIE CASTING,-,-,-,-	1	SNA	-
D147	DE63-00475A	COVER HANDLE	HS-C365AST,PC,-,-,-,-,NEO	1	SNA	-
D149	DE64-01940A	KEY-SPRING	AURORA PROJECT,SWP,-,-,-,-,1.	1	SNA	-

## 5-4 Contorl Parts List



**(CQ138T-G)**

**(SNA : SERVICE NOT AVAILABLE)**

No.	Code No.	Description	Specification	Q'ty	SA/SNA	Remark
C001	DE94-01661H	ASSY CONTROL PANEL	CQ138T-G/XEF,neo SILV	1	SNA	-
C003	RCS-AURORA-03	ASSY PCB PARTS	CQ138S-G/XEF,SMPS, 230V50	1	SA	-
C005	DE64-01902H	CONTROL-PANEL	CQ138T-G/XEF,PC,-,-,-,NE	1	SA	-
C009	DE64-01904A	WINDOW-DISPLAY	AURORA,SAN,CR5381,-,-,-,S	1	SNA	-
C011	DE64-01905C	BUTTON-SELECT(A)	CQ138ST,PC,-,-,SILVER,-	1	SA	-
C012	DE64-01906C	BUTTON-SELECT(B)	CQ138ST,PC,-,-,SILVER,1	1	SA	-
C082	DE97-00717H	ASSY CONTROL BOX	CQ138T-G/XEF,-,NEO SILV	1	SNA	-
C154	DE96-00700C	ASSY DISPLAY	CQ138S-G,DAM-AURORA-02,Ambe	1	SA	-
C161	DE64-01908B	KNOB-DIAL(L)	HS-C364AS,PC,-,-,-,NEO ST	1	SA	-
C162	DE64-01907B	KNOB-DIAL(R)	HS-C364AS,PC,-,-,-,NEO ST	1	SA	-
C244	DG67-00020A	CAP-DIAL ENCODER	JM,AL,-,-,-,SPIN HAIR	1	SNA	-
C245	DG67-00020B	CAP-DIAL SELECTOR	JM,AL,-,-,-,SPIN HAI	1	SNA	-
C272	DE97-00732B	ASSY KNOB DIAL-(R)	HS-C364AS,-,NEO STS S	1	SA	-
C273	DE97-00733B	ASSY KNOB DIAL-(L)	HS-C364AS,-,NEO STS S	1	SA	-

## 5-4 Control Parts List

(CQ138T-ST)

(SNA : SERVICE NOT AVAILABLE)

No.	Code No.	Description	Specification	Q'ty	SA/SNA	Remark
C001	DE94-01699C	ASSY CONTROL PANEL	CQ138T-ST/XEF,-,-,CHA	1	SA	-
C003	RCS-AURORA-03	ASSY PCB PARTS	CQ138S-G/XEF,SMPS, 230V50	1	SA	-
C005	DE64-01914B	CONTROL-PANEL	CQ138T-ST/XEF,PC,-,-,-,N	1	SNA	-
C009	DE64-01904A	WINDOW-DISPLAY	AURORA,SAN,CR5381,-,-,-,S	1	SA	-
C011	DE64-01905C	BUTTON-SELECT(A)	CQ138ST,PC,-,-,SILVER,-	1	SA	-
C012	DE64-01906C	BUTTON-SELECT(B)	CQ138ST,PC,-,-,SILVER,1	1	SA	-
C082	DE94-01698B	ASSY CONTROL BOX	CQ138T-ST/XEF,-,CHASSIS	1	SNA	-
C154	DE96-00700C	ASSY DISPLAY	CQ138S-G,DAM-AURORA-02,Ambe	1	SA	-
C161	DE64-01908B	KNOB-DIAL(L)	HS-C364AS,PC,-,-,-,NEO ST	1	SNA	-
C162	DE64-01907B	KNOB-DIAL(R)	HS-C364AS,PC,-,-,-,NEO ST	1	SNA	-
C244	DG67-00020A	CAP-DIAL ENCODER	JM,AL,-,-,-,SPIN HAIR	1	SNA	-
C245	DG67-00020B	CAP-DIAL SELECTOR	JM,AL,-,-,-,SPIN HAI	1	SNA	-
C272	DE97-00732B	ASSY KNOB DIAL-(R)	HS-C364AS,-,NEO STS S	1	SA	-
C273	DE97-00733B	ASSY KNOB DIAL-(L)	HS-C364AS,-,NEO STS S	1	SA	-



## 5-5 Standard Parts List

(CQ138T-G)

(SNA : SERVICE NOT AVAILABLE)

LEVEL	Code No.	Description	Specification	Q'ty	SA/ SNA	Remark
1-1	6001-000030	SCREW-MACHINE	FH,+,-,M4,L20,PASS,STS304,	1	SNA	HOLDER-SUPPORT(REAR)
1-1	6001-000033	SCREW-MACHINE	TH,+,-,M4,L10,PASS,STS304,	1	SNA	SENSOR
1-1	6002-000630	SCREW-TAPPING	PH,+2S,M3,L8,ZPC(YEL),SWR	1	SNA	GUIDE AIR MGT
1-1	6002-001174	SCREW-TAPPING	FH,+,-,2S,M4,L12,NI PLT,SW	1	SNA	o/panel side
1-1	6002-001321	SCREW-TAPPING	PWH,+2S,M5,L10,ZPC(YEL)	1	SNA	HVT
1-1	6006-001170	SCREW-TAPPING	TH,+WT,TC,M4,L10,ZPC(WHT)	2	SNA	ASSY W-A,POWER CORD
1-1	6006-001171	SCREW-ASSY MACH	WS,PH,+M4,L8,NI PLT	1	SNA	HEATER
1-1	6006-001174	SCREW-ASSY TAPP	WE,TH,+M4,L12,ZPC(YEL)	14	SNA	BADY LATCH L,BADY LATCH R, BASE PLATE,BKT C-B-H,BKT
1-1	6006-001176	SCREW-ASSY TAPT	WT,PH,+M4,L8,ZPC(YEL)	4	SNA	BKT VENT A,BKT-HVT, DAMPER FIX,EARTH BASE
1-1	DE60-10051A	SCREW-TAPPING	PH,M4,-,-,MSWR,-,-,SWRCH18	1	SNA	STIRRER MOTOR
1-1	DE60-20063A	BOLT-FLANGE	M4,10,ZPC3,YEL,MSWR,-,-,-,-	1	SA	BKT SLIDER(L)
1-1	DE60-30015A	NUT-FLANGE	M5,P0.8,MSWR10,FEFZY,-,-,-,-,-	1	SNA	MGT
1-1	DE60-30016A	NUT-FLANGE	M4,MSWR10,-,-,-,-,-,-,-	2	SNA	HOLDER SUPPORT,SENSOR
1-2	6006-001174	SCREW-ASSY TAPP	WE,TH,+M4,L12,ZPC(YEL)	1	SNA	-
1-2	6006-001176	SCREW-ASSY TAPT	WT,PH,+M4,L8,ZPC(YEL)	1	SNA	HVD,LAMP COVER
1-2	6021-001149	NUT-HEXAGON FLANGE	-,M4,NI,SWRCH10A,LEFT	1	SNA	-
1-2	6006-001171	SCREW-ASSY MACH	WS,PH,+M4,L8,NI PLT	1	SNA	-
1-2	6002-001320	SCREW-TAPPING	TH,+2S,M4,L8,PASS,STS304,	1	SNA	-
1-2	6002-000170	SCREW-TAPPING	PH,+2S,M3,L6,ZPC(YEL),SWR	2	SNA	-,DOOR-A
1-2	6002-000234	SCREW-TAPPING	TH,+,-,2S,M4,L16,ZPC(WHT),	1	SNA	HANDLE
1-2	6002-000171	SCREW-TAPPING	PH,+2S,M4,L10,ZPC(YEL),SW	1	SNA	-
1-2	6002-000488	SCREW-TAPPING	PH,+2S,M3,L16,ZPC(YEL),SW	1	SNA	-
1-2	6006-001170	SCREW-TAPPING	TH,+WT,TC,M4,L10,ZPC(WHT)	1	SNA	-
1-3	6006-001174	SCREW-ASSY TAPP	WE,TH,+M4,L12,ZPC(YEL)	1	SNA	-
1-2	6002-000630	SCREW-TAPPING	PH,+2S,M3,L8,ZPC(YEL),SWR	1	SNA	PCB
1-3	6002-001079	SCREW-TAPPING	TH,+,-,2S,M4,L10,PASS,STS3	1	SNA	HANDLE
1-3	DE60-10106A	SCREW-TAPTITE	FH,+,-,B-Tite,M4,L12,NI PL	1	SNA	-

## 5-5 Standard Parts List

(CQ138T-ST)

(SNA : SERVICE NOT AVAILABLE)

LEVEL	Code No.	Description	Specification	Q'ty	SA/ SNA	Remark
1-1	6001-000030	SCREW-MACHINE	FH,+,-,M4,L20,PASS,STS304,	1	SNA	HOLDER-SUPPORT(REAR)
1-1	6001-000033	SCREW-MACHINE	TH,+,-,M4,L10,PASS,STS304,	1	SNA	SENSOR
1-1	6002-000630	SCREW-TAPPING	PH,+2S,M3,L8,ZPC(YEL),SWR	1	SNA	GUIDE AIR MGT
1-1	6002-001174	SCREW-TAPPING	FH,+,-,2S,M4,L12,NI PLT,SW	1	SNA	o/panel side
1-1	6002-001321	SCREW-TAPPING	PWH,+2S,M5,L10,ZPC(YEL)	1	SNA	HVT
1-1	6006-001170	SCREW-TAPPING	TH,+WT,TC,M4,L10,ZPC(WHT)	2	SNA	ASSY W-A,POWER CORD
1-1	6006-001171	SCREW-ASSY MACH	WS,PH,+M4,L8,NI PLT	1	SNA	HEATER
1-1	6006-001174	SCREW-ASSY TAPP	WE,TH,+M4,L12,ZPC(YEL)	14	SNA	BADY LATCH L,BADY LATCH R,BASE PLATE,BKT C-B-H,BKT
1-1	6006-001176	SCREW-ASSY TAPT	WT,PH,+M4,L8,ZPC(YEL)	4	SNA	BKT VENT A,BKT-HVT,DAMPER FIX,EARTH BASE
1-1	DE60-10051A	SCREW-TAPPING	PH,M4,-,-,MSWR,-,-,SWRCH18	1	SNA	STIRRER MOTOR
1-1	DE60-20063A	BOLT-FLANGE	M4,10,ZPC3,YEL,MSWR,-,-,-	1	SA	BKT SLIDER(L)
1-2	6006-001174	SCREW-ASSY TAPP	WE,TH,+M4,L12,ZPC(YEL)	1	SNA	-
1-2	6006-001176	SCREW-ASSY TAPT	WT,PH,+M4,L8,ZPC(YEL)	1	SNA	HVD,LAMP COVER
1-2	6006-001171	SCREW-ASSY MACH	WS,PH,+M4,L8,NI PLT	1	SNA	-
1-2	6002-001320	SCREW-TAPPING	TH,+2S,M4,L8,PASS,STS304,	1	SNA	-
1-2	6001-002059	SCREW-MACHINE	TH,+,-,M5,L50,ZPC(WHT),SWR	1	SNA	-
1-2	6002-000170	SCREW-TAPPING	PH,+2S,M3,L6,ZPC(YEL),SWR	1	SNA	-
1-2	6002-000630	SCREW-TAPPING	PH,+2S,M3,L8,ZPC(YEL),SWR	1	SNA	PCB
1-2	6002-000171	SCREW-TAPPING	PH,+2S,M4,L10,ZPC(YEL),SW	1	SNA	-
1-2	6002-000488	SCREW-TAPPING	PH,+2S,M3,L16,ZPC(YEL),SW	1	SNA	-
1-2	6006-001170	SCREW-TAPPING	TH,+WT,TC,M4,L10,ZPC(WHT)	1	SNA	-
1-3	6006-001174	SCREW-ASSY TAPP	WE,TH,+M4,L12,ZPC(YEL)	1	SNA	-
1-3	6002-001079	SCREW-TAPPING	TH,+,-,2S,M4,L10,PASS,STS3	1	SNA	HANDLE
1-3	DE60-10106A	SCREW-TAPTITE	FH,+,-,B-Tite,M4,L12,NI PL	1	SNA	-