

5. EXPLODED VIEWS AND PARTS LIST

[MATERIAL CODE STANDARDS]

Material codes and names and their respective naming rules are managed in accordance with the prescribed standards. Please refer to these standards when requesting a material.

1. Material Code Type

● : Number

■ : Letter (Alphabet)

Type 1	<p>● ● ● ● - ● ● ● ● ● ●</p> <p>ex) 0204-000418 FREON</p>	<p>Enterprise-wide parts</p> <p>Type 1 materials can be used for all Samsung Electronics products. (Most electrical parts belong to this type.)</p>
Type 2	<p>■ ■ ● ● - ● ● ● ● ● ■</p> <p>ex) DC96-01390A ASSY-CONTROL</p>	<p>Division-wide parts (DC**-Washing machine)</p> <p>Type 2 materials can be used for specific products. (Most instruments and tools belong to this type.)</p>

2. Ass'y Materials

All ass'y material codes start with DC9*.

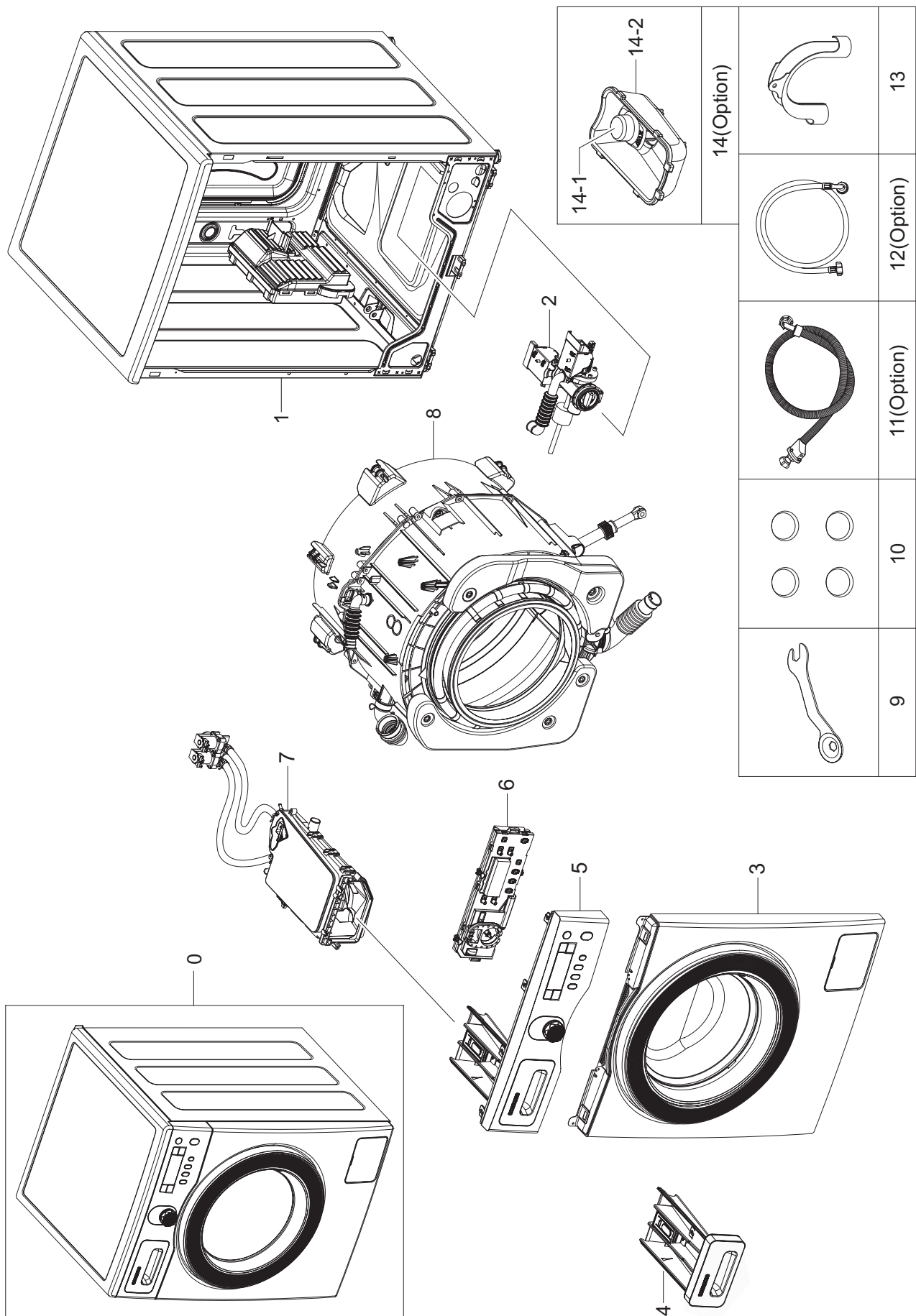
An ass'y material is created by combining more than two materials. If a requested material cannot be provided, you can request an ass'y material that contains that material.



MEMO



5-1. MAIN



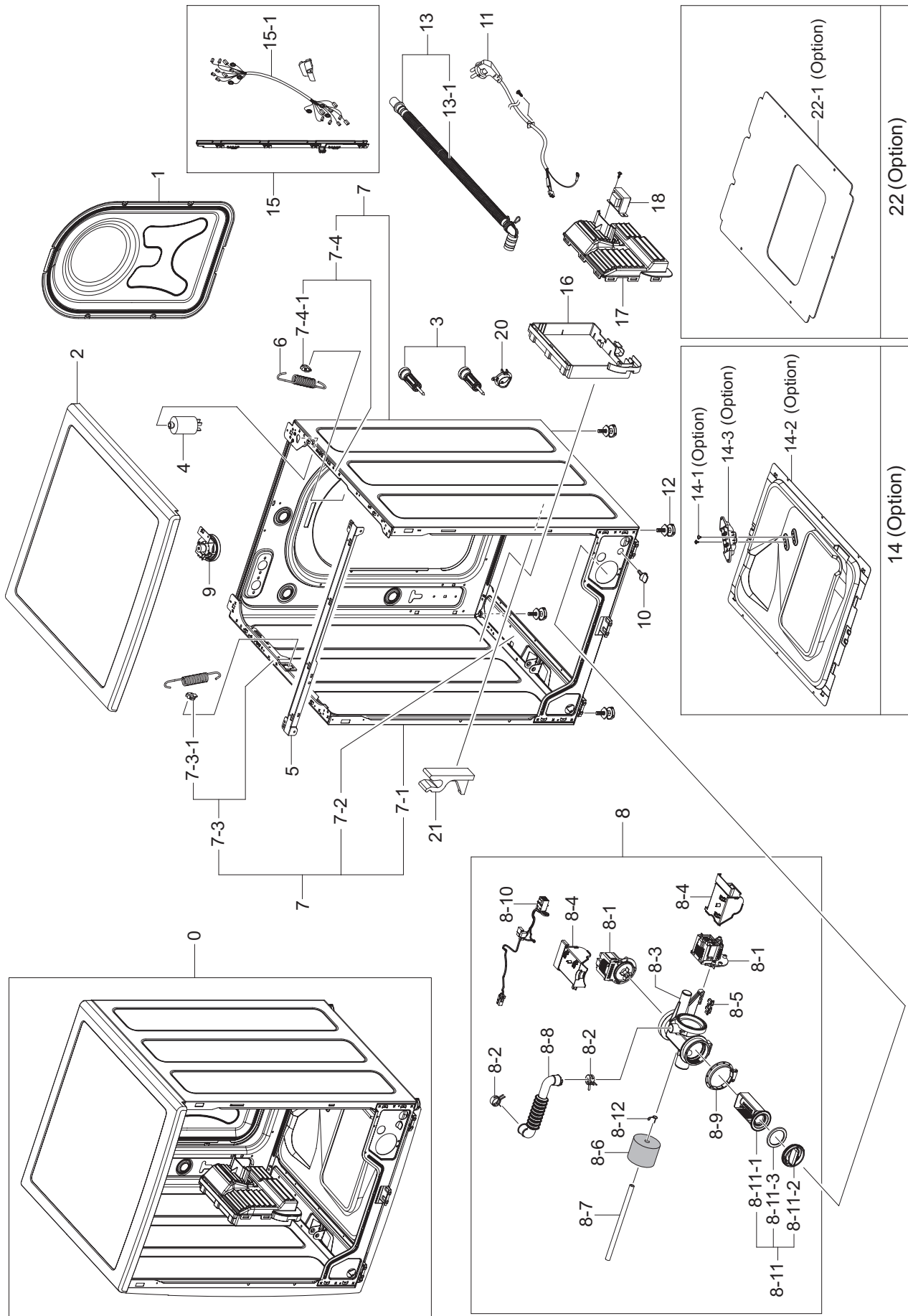
38 _ Exploded views and Parts list

MODEL CODE: WF9904AWE1/XEF

Service Bom (SA: SERVICE AVAILABLE, SNA: SERVICE NOT AVAILABLE)

Drawing No.	Code No.	Description	Specification	QTY	Un	SA/SNA
0	WF9904AWE1/ XEF	ASSY-WASHING MACHINE	SCOUT			
1	-	FRAME & COVER PARTS	Refer to 5.2 Frame & Cover Parts	1		
2	DC97-15696A	ASSY PUMP DRAIN	GRIFFIN-PJT,WF9804RWE,2-	1	PC	SA
3	DC97-16454A	ASSY FRAME FRONT	HEBA-PJT,WF8804DPA/XEO,	1	PC	SA
4	DC97-16634A	ASSY PANEL DRAWER	GRIFFIN,WF9904RWE1/XEU	1	PC	SA
5	DC97-15700N	ASSY PANEL CONTROL	GRFFIN-PJT,WF9904AWE/	1	PC	SA
6	DC92-00267E	ASSY PCB SUB	GRIPPIN SUB,WF9904AWE/XEF,9	1	PC	SA
7	DC61-02434A	HOUSING-DRAWER L	HEBA-PJT,PP,T1.8,NTR	1	PC	SNA
8	DC90-07042A	ASSY TUB&DRUM	GRIFFIN,WF0902LWE1/XET	1	PC	SNA
9	DC60-40146A	BOLT-SPANER	-,CR,-,T2.5,OD36,-,-,-,-	1	PC	SA
10	DC67-00307A	CAP-FIXER	WF438AAC/XAA,PP,T1.5,Φ33,- ,WHT,PURPLE-PJT	4	PC	SA
11	DC62-00079A	HOSE-WATER	P1405J,PVC+NYLON,-,-,- ,L1500,GRY,ACQUA-STOP	1	PC	SA
13	DC62-10278A	HOSE-HANGER	PP,NTR,JS20 RESIN	1	PC	SNA
14	-	ASSY COVER DRAWER	-	-	PC	SA
14-1	-	CAP-DRAWER	HEBA-PJT,EPDM,T1.1,W13.9	1	PC	SNA
14-2	-	GUIDE-LIQUID(M)	WF0800NCE,PP,T2.0,W61,L118,SOAP BLUE	1	PC	SNA

5-2. FRAME & COVER PARTS



40 _ Exploded views and Parts list

MODEL CODE: WF9904AWE1/XEF

Service Bom (SA: SERVICE AVAILABLE, SNA: SERVICE NOT AVAILABLE)

Drawing No.	Code No.	Description	Specification	QTY	Un	SA/SNA
0	-	FRAME & COVER PARTS		1		
1	-	ASSY COVER BACK	-	1	PC	SA
2	DC97-14953A	ASSY COVER TOP	HEBA-PJT,-,WOOD+AL FOIL+URETHANE,9.2(WOOD)/T0.35(AL FOIL),150X200(AL FOIL),-	1	PC	SA
3	DC97-14653C	ASSY FIXER TUB	SCOUT,WF0804Y8E/XEF	4	PC	SA
4	DC29-00015E	FILTER-EMI	LFT-215K-2,MINERVA-PJT,250VAC,15,5 3□,50/60Hz,CAN,VDE,-,-	1	PC	SA
5	DC97-16466A	ASSY FRAME PLATE(U)	HEBA-SSEC PJT,WF8804	1	PC	SA
6	DC61-02029B	SPRING ETC-HANGER	HEBA 7kg,HSWR,CD3.5,ID24.8,OD26,L 159,TURNS 18 3/4,WHITE	2	PC	SA
7	DC97-16438J	ASSY FRAME	SCOUT- PJT 8KG,WF0804Y8E1/XEF	1	PC	SNA
7-1	DC61-02938L	FRAME	SCOUT 8KG,GI-SGCC,DA-SILVER,T1.0,W	1	PC	SNA
7-2	DC61-03110A	FRAME-PLATE(L)	SCOUT-SSEC,GI-SGCC,NTR,T1	1	PC	SNA
7-3	DC61-02914A	BRACKET-SPRING(R)	HEBA-SSEC,GI-SGCC,T1.4	1	PC	SNA
7-3-1	DC61-02065A	GUIDE-SPRING	WF448AAG/XXA,POM,T4,W24,L25.5,WHT,-	1	PC	SA
7-4	DC61-02912A	BRACKET-SPRING(L)	HABA-SSEC,GI-SGCC,T1.4	1	PC	SNA
7-4-1	DC61-02065A	GUIDE-SPRING	WF448AAG/XXA,POM,T4,W24,L25.5,WHT,-	1	PC	SA
8	DC97-15696A	ASSY PUMP DRAIN	GRIFFIN-PJT,WF9804RWE,2-	1	PC	SA
8-1	DC31-00030A	PUMP-DRAIN	B20-6,220V,50Hz,-,HANYU	2	PC	SA
8-2	DC65-00008A	CLAMPER HOSE	SEW-DR605,SK5,-,-,YEL,ID14.	2	PC	SNA
8-3	DC61-02271A	CASE-PUMP	WF8702LSW,PP,T2.5,W153.6,L133.	1	PC	SA
8-4	DC63-00830A	COVER-PUMP	COVER-PUMP,PP,T2.1,W60.5,L75,5VA GRADE,WHT	2	PC	SNA
8-5	DC63-00905A	CUSHION-PUMP	WF8802DPF/XET,NBR,-,W37.6,L11.6,BLK,-	1	PC	SNA
8-6	DC63-10003C	SPONGE-HOSE AIR	POL,GRY,SWF-P12,HB22-GREY,	1	PC	SNA
8-7	DC67-00244D	HOSE-DRAIN	-,EPDM,ID6,OD11,T0.6,L270,BLK,-	1	PC	SA
8-8	DC67-00298A	HOSE-AIR	HEBA PJT,EPDM,-,-,T2.5,-,BLK,-	1	PC	SA
8-9	DC69-01128A	PACKING-PUMP	WF8804DP,RUB-OTH,BUTYL,T2.5,W74,L74,11.6,BLK,10.8g,-,-,HEBA-PJT	1	PC	SNA
8-10	DC93-00016C	ASSY WIRE HARNESS-PUMP	GRIFFIN,CIRCULTION+DRAIN	1	PC	SA
8-11	DC97-15695A	ASSY FILTER	GRIFFIN-PJT,WF9804RWE,PP	1	PC	SA
8-11-1	DC63-00998A	FILTER-PUMP	WF8702LSW,PP,T2.0,W52.8,L93.9,NTR, 2WAY/SEAU	1	PC	SNA
8-11-2	DC64-01317A	HANDLE-FILTER	HANDLE-FILTER,PP,T2.5,W55,L35,-,BLK,-	1	PC	SNA
8-11-3	DC73-00022A	RUBBER-PACKING	SEW-HVR149ATA,EPDM,-,40,-,BLK,-,-,-	1	PC	SNA
8-12	DD65-00001F	CLAMPER HOSE	SDW-H120,STEEL,-,D10.5/T1.2,-,-	1	PC	SNA

Exploded views and Parts list _ 41

MODEL CODE: WF9904AWE1/XEF

Service Bom (SA: SERVICE AVAILABLE, SNA: SERVICE NOT AVAILABLE)

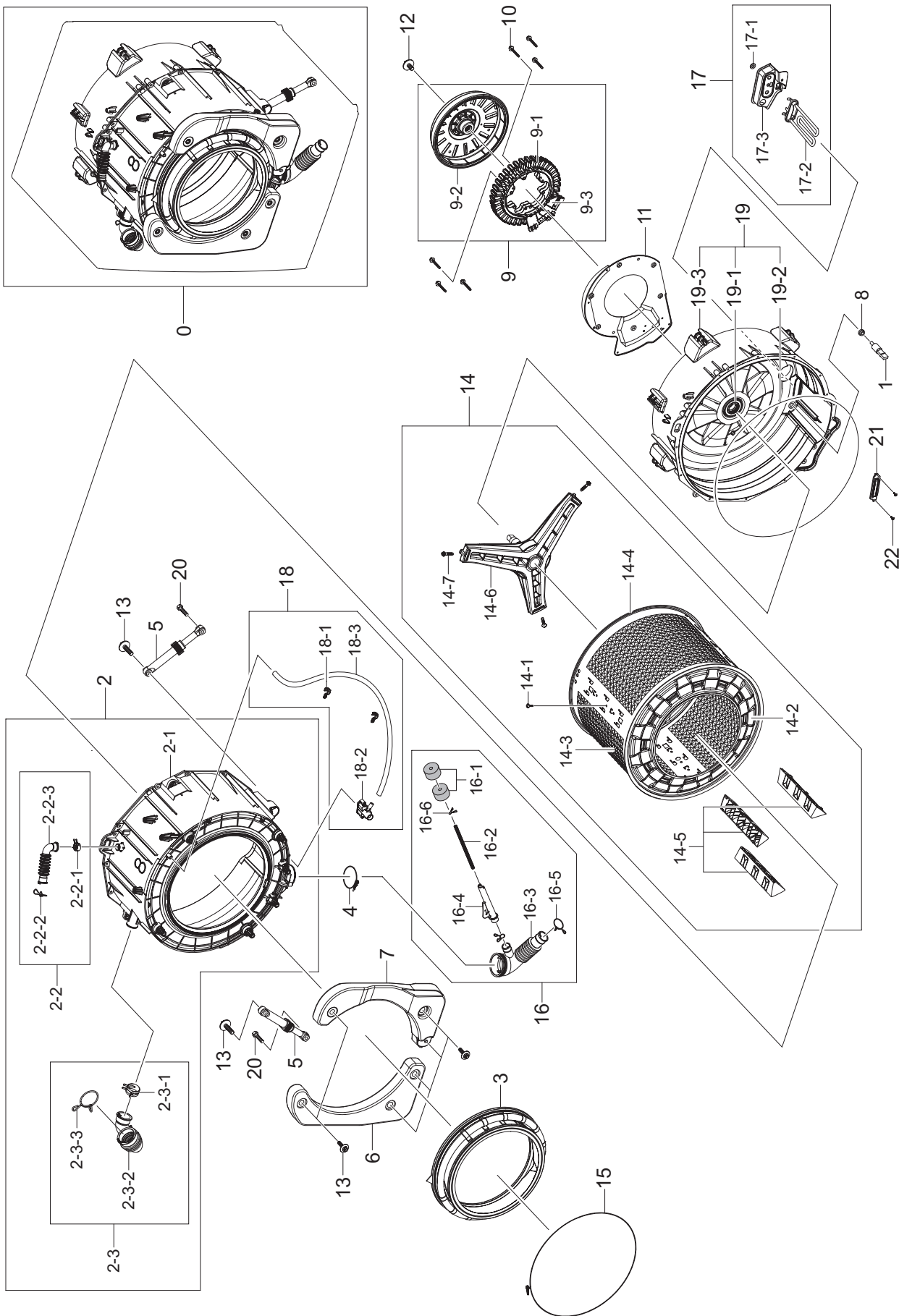
Drawing No.	Code No.	Description	Specification	QTY	Un	SA/SNA
9	DC96-01703B	ASSY SENSOR PRESSURE	PURPLE PJT,PURPLE PJT,0~300mmH20,non pcb,-,-	1	PC	SA
10	DC61-10673A	CAP-DRAIN	SWF-P12,PP(TB53),-,-,-,WHT,-,-	1	PC	SNA
11	DC96-00146A	ASSY POWER CORD	UCP2,250V/16A,-,1500/EUROPE	1	PC	SC
12	DC97-00920C	ASSY LEG	SEW-HW108,-,-,-,-,-	4	PC	SC
13	DC97-02250Z	ASSY HOSE DRAIN(O)	COMBO-PJT,L1920,OD25,	1	PC	SA
13-1	DC62-10022G	HOSE-PUMP	SWF-P12,PP,ID21,OD26,-,L2200,W	1	PC	SA
14	DC97-14642C	ASSY PLATE BOTTOM	HEBA,WF8714GPH,GI,T0.5	1	PC	SA
14-1	6002-000239	SCREW-TAPPING	TH,+,-,2S,M4,L8,ZPC(WHT),SWRCH18A,-	2	PC	SA
14-2	DC63-00965A	COVER-BOTTOM	HEBA-PJT,GI,T0.8,W500,L500,-,-,-,7kg	1	PC	SNA
14-3	-	ASSY SENSOR POLE	-	-	PC	SA
15	DC93-00286F	ASSY M.GUIDE WIRE HARNESS	GRIFFIN,WF0904	1	PC	SNA
15-1	DC93-00016C	ASSY WIRE HARNESS-PUMP	GRIFFIN,CIRCULTIO	1	PC	SNA
16	DC92-00266E	ASSY PCB MAIN	GRIFFIN MAIN,WF9904AWE/XEF	1	PC	SA
17	DC63-01040A	COVER-PCB(M)	WF9904RWE/XEU,ABS,T2.5,W196	1	PC	SNA
18	DC26-00009D	TRANS-REACTORV	-,SEW-3HR105,-,-,220V,60HZ,-,-,-,-,-,-,-,-,-,-,-,K2/3PHASE	1	PC	SA
20	-	GUIDE-HOSE	P/PV/M,PP,-,-,-,WHT,FRAME/DRAIN-HOSE	1	PC	SA
21	-	GUIDE-HOSE	WF0804Y8E,PP,T2.0,W10.0,L36.6	1	PC	SA
22	-	SHUTTER	HEBA-PJT,PP,T3.0,-,-,-,WHT,7kg/DAN	1	PC	SA



MEMO



5-3. ASS'Y TUB&DRUM



44 _ Exploded views and Parts list

MODEL CODE: WF9904AWE1/XEF

Service Bom (SA: SERVICE AVAILABLE, SNA: SERVICE NOT AVAILABLE)

Drawing No.	Code No.	Description	Specification	QTY	Un	SA/SNA
0	DC90-07042A	ASSY TUB&DRUM	GRIFFIN,WF0902LWE1/XET	1	PC	SNA
1	DC32-00010B	THERMISTOR	NTSF0123XZ004,R=3.243KΩ±2%(at	1	PC	SA
2	DC97-16460M	ASSY SEMI TUB FRONT	GRIFFIN,WF9904AWE1/X	1	PC	SNA
2-1	DC61-01932A	TUB-FRONT	HEBA PJT,FRPP,ID528,OD575,NTR,	1	PC	SNA
2-2	DC67-00298A	HOSE-AIR	HEBA PJT,EPDM,-,-,T2.5,-,BLK,-	1	PC	SA
2-2-1	DC65-00008A	CLAMPER HOSE	SEW-DR605,SK5,-,-,YEL,ID14.	2	PC	SNA
2-2-2	DC65-60118J	BAND-RING	-,HSWR,-,-,-,WHT,PI2.0/ID23	1	PC	SNA
2-2-3	DC67-00298A	HOSE-AIR	HEBA PJT,EPDM,-,-,T2.5,-,BLK,-	1	PC	SA
2-3	DC67-00051B	HOSE-DRAWER	Q1636GW/XEU,EPDM,ID9.0,OD14.	1	PC	SA
2-3-1	DC61-00133A	CLAMPER HOSE-FIX	P1291,PP,ID24.5,OD29.5,	1	PC	SNA
2-3-2	DC67-00422A	HOSE-DRAWER TUB	HEBA-PJT,EPDM,ID42.5,OD46.5,T2.0,BLK	1	PC	SA
2-3-3	DC72-00001G	BAND-RING	HEBA-PJT,HSWR,PI3.0,W21.5,ID49.5,WHT,HOSE-DRAWER + TUB-FRONT	1	PC	SNA
3	DC64-02016A	DOOR-DIAPHRAGM	GRIFFIN-PJT,EPDM,T2.0,GRY	1	PC	SA
4	DC65-00021A	CLAMPER HOSE-JOINT	HEBA PJT,HSWR,-,ID74/OD78,WHT,-	1	PC	SNA
5	DC66-00421B	DAMPER-SHOCK	HEBA-SSEC PJT,PP,L215,80N	2	PC	SA
6	DC67-00434A	WEIGHT-BALANCER(F/L)	WD8704DJF,CONCRETE,	1	PC	SA
7	DC67-00433A	WEIGHT-BALANCER(F/R)	WD8704DJF,CONCRETE,	1	PC	SA
8	DC69-00824A	PACKING-THERMISTOR	GW-PJT,EPDM,EPDM,-,W17,-,H11,BLACK,1.25g,-,-,-,-	1	PC	SA
9	DC96-01218E	ASSY DD BLDC MOTOR	DON800,25MM/AL WIRE/0.85PI/94T,B,Free,Free,1400	1	PC	SA
9-1	DC31-00074B	MOTOR BLDC-ASSY STATOR	DON800,0~1400,-,Free,5A,-,DC,800W,DON800,0.85PI,94T,-,-,-,130°C,258.3*25	1	PC	SA
9-2	DC31-00075E	MOTOR BLDC-ASSY ROTOR	DON800,0~1400,-,Free,5A,-,-,800W,DON800,7BD, inner serration,-,-,-,130,-	1	PC	SA
9-3	DC31-00076A	MOTOR BLDC-ASSY HALL SENSOR	DON1300,0~1200,-,DC310V,0.5A,-,DC,-,ASSY HALL SENSOR,ASSY HALL SENSOR,-,-,-,130C	1	PC	SA
10	6011-001627	BOLT-ETC	M6,L56,MFZn,SCM435,P1.0/HEX/WSP	6	PC	SA
11	DC63-01294A	COVER-MOTOR	SCOUT,EGI-SECC,T0.8,W75.1,L2	1	PC	SA
12	DC97-14263A	ASSY BOLT	HEBA-PJT,MOTOR/BOLT(M8)+WASHER(OD28.6),-,-,-,-	1	PC	SA
13	DC97-14263A	ASSY BOLT	HEBA-PJT,MOTOR/BOLT(M8)+WASHER(OD28.6),-,-,-,-	2	PC	SA

MODEL CODE: WF9904AWE1/XEF

Service Bom (SA: SERVICE AVAILABLE, SNA: SERVICE NOT AVAILABLE)

Drawing No.	Code No.	Description	Specification	QTY	Un	SA/SNA
13	DC97-14263A	ASSY BOLT	HEBA-PJT,MOTOR/ BOLT(M8)+WASHER(OD28.6),-,-,-,-	6	PC	SA
14	DC97-14371G	ASSY DRUM	SSEC Heba DD,WF0804Y8E1/XEF,8K	1	PC	SA
14-1	6002-001006	SCREW-TAPPING	TH,+,-,2S,M4,L12,PASS,STS4	3	PC	SNA
14-2	DC66-00489B	DRUM-FRONT	HEBA PJT(8kg),STS430,ID492,OD492.4,-,- ,T0.5	1	PC	SNA
14-3	DC66-00491A	DRUM-WRAPPER	HEBA	1	PC	SNA
14-4	DC66-00492A	DRUM-BACK	HEBA PJT,STS430,ID492,OD492.4,T0.5	1	PC	SNA
14-5	DC66-00493A	DRUM-LIFTER	HEBA PJT,PP-TI42,-,-,L246,NTR,7/8KG	3	PC	SA
14-6	DC97-14370E	ASSY FLANGE SHAFT	SSEC HEBA DD,WD0804W8N	1	PC	SA
14-7	DC60-40137A	BOLT-HEX	MARS-PJT,STS430,M8,-,P1.25,L30,-,- ,HEX/KNURING	3	PC	SA
15	DC91-12077G	ASSY CLAMP DIAPHRAGM	AEGIS,WF8500NHW/YLP	1	PC	SA
16	DC97-14637A	ASSY HOSE PRESSURE	HEBA PJT,-,-,-,-,-	1	PC	SA
16-1	DC63-10003C	SPONGE-HOSE AIR	POL,GRY,SWF-P12,HB22-GREY,	1	PC	SNA
16-2	DC62-00079A	HOSE-WATER	P1405J,PVC+NYLON,L1500,GRY,AQ	1	PC	SA
16-3	DC67-00293A	HOSE-FILTER TUB	HEBA-PJT,EPDM,-,-,T2.5,-,BLK,-	1	PC	SA
16-4	DC67-00297A	HOSE-JOINT AIR	HEBA&Aegis-PJT,PP,ID22,OD	1	PC	SNA
16-5	DC72-00001H	BAND-RING	HEBA-PJT,HSWR,PI3.0,ID35,- ,WHT,HOSE-FILTER+PUMP-CASE	1	PC	SNA
16-6	DC61-70029C	SPRING-CLIP	SEW- HW125,HSWR67,CD1.2,ID8.5,OD10.9,- ,-,-,WHT,-,-	1	PC	SA
17	DC47-00033A	HEATER-WASH	HEBA,SUS316L+CERAMIC COATING	1	PC	SA
17-1	DC60-60044B	WASHER-PLAIN	-,-,SBC,ID8.4/OD30,T2.0,-,-,-	1	PC	SNA
17-2	DC47-00033A	HEATER-WASH	HEBA,SUS316L+CERAMIC COATING,2 000,8.69,230V,26.46,8.5mm,220mm,Dou ble Fuse (167°C, Cut Off Time 70±20s)	1	PC	SNA
17-3	-	COVER-HEATER	-	-	PC	SA
18	-	ASSY HOSE-CIRCULATION	SCOUT,WF0804Y8E,EPDM,L685.2,OD1 4.5,BLACK	1	PC	SNA
18-1	-	GUIDE-HOSE	WF0804Y8E,PP,T2.0,W10.0,L36.6,NATU RAL,SCOUT-PJT	2	PC	SNA
18-2	DC62-00176A	PIPE-CONNECTOR	SEW-HW125,PP,ID4.3,OD8.0,	1	PC	SA
18-3	DC67-00419A	HOSE-CIRCULATION	GRIFFIN-PJT,EPDM,ID10,O	1	PC	SA
19	DC97-16461C	ASSY TUB BACK	Heba PJT,WD0804W8N1/YAH,8.	1	PC	SA
19-1	DC62-00008A	SEAL-OIL	-,-,NBR(SD35),BLK,-,-,-,NBU(PI15)	1	PC	SA

46 _ Exploded views and Parts list

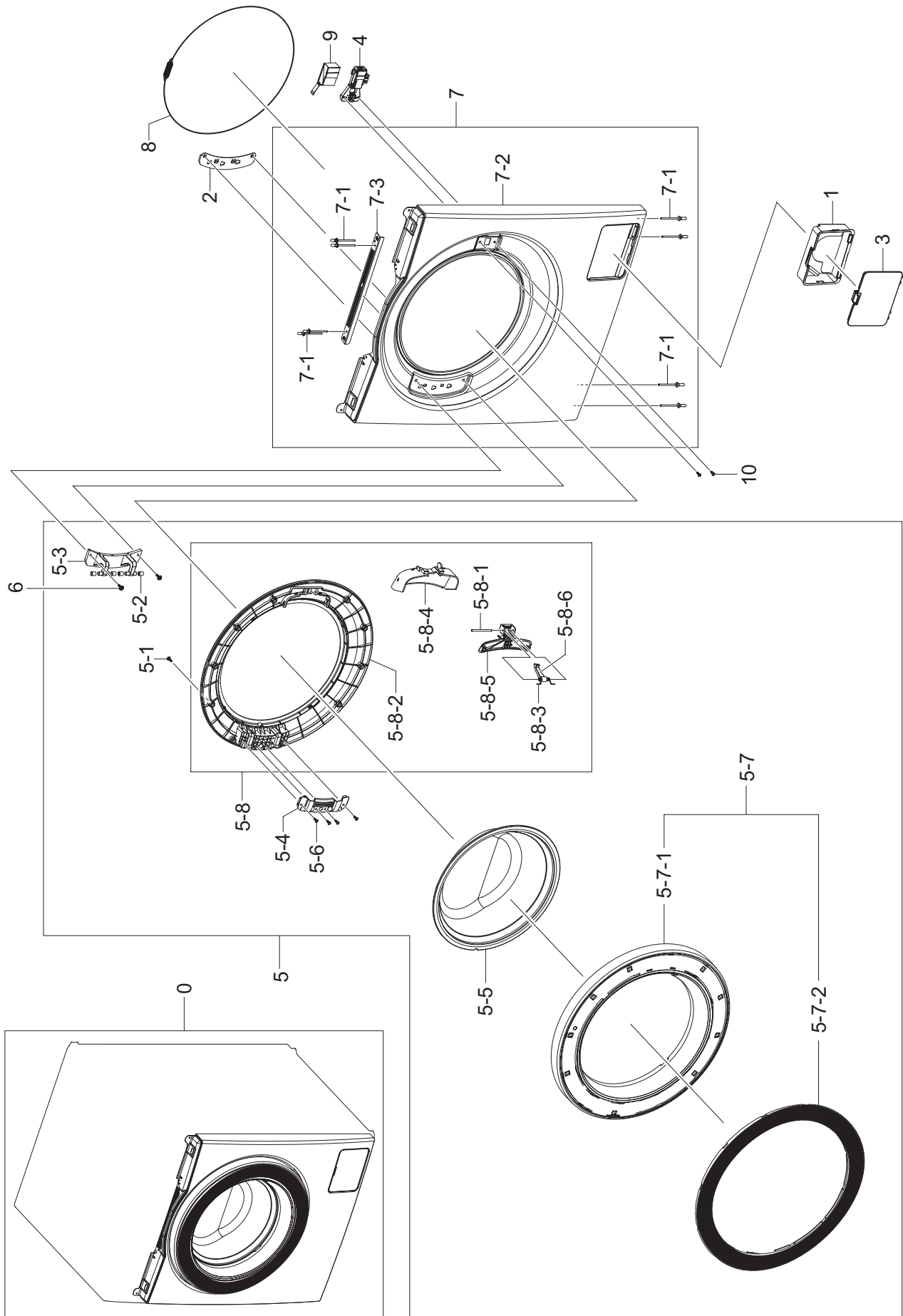
MEMO

MODEL CODE: WF9904AWE1/XEF

Service Bom (**SA**: SERVICE AVAILABLE, **SNA**: SERVICE NOT AVAILABLE)

Drawing No.	Code No.	Description	Specification	QTY	Un	SA/SNA
19-2	DC69-01154A	PACKING-TUB	WF8804DP,EPDM,EPDM,T5.0,-,L1650,-,BLK,20g,-,-,-,-	1	PC	SA
19-3	DC97-16462D	ASSY SEMI TUB BACK	SCOUT,WF0804Y8E1/XEF,	1	PC	SNA
20	DC60-40144A	BOLT-HEX	SM10C,L41,ZPC2(YEL),M10,ZPC2(YE	2	PC	SA
21	DC61-02874A	BRACKET-HEATER	WD0704CQR,STAINLESS-ST543	1	PC	SA
22	6002-000471	SCREW-TAPPING	TH,+,-,1,M4,L12,PASS,STS30	2	PC	SA

5-4. ASS'Y FRAME FRONT



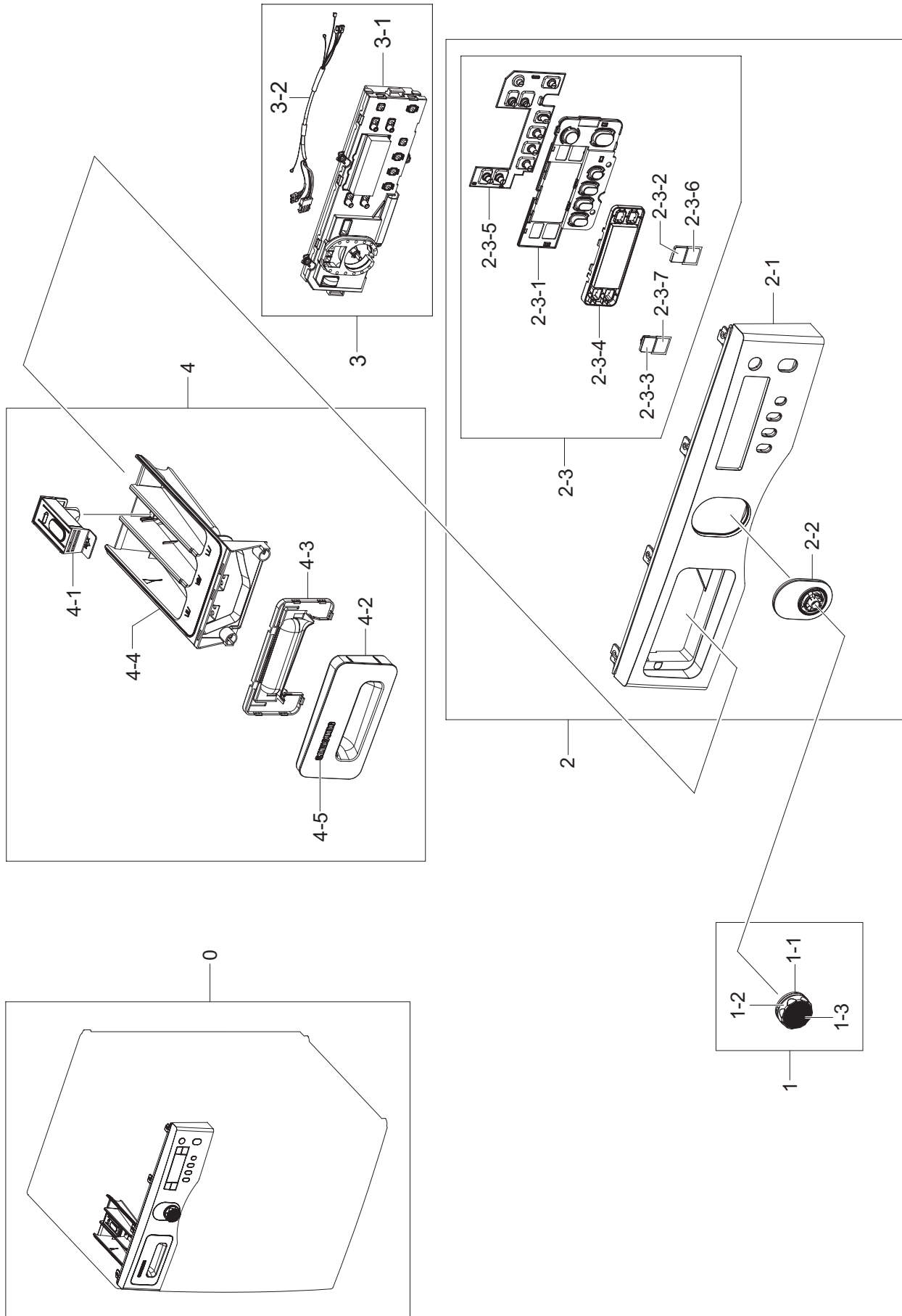
48 _ Exploded views and Parts list

MODEL CODE: WF9904AWE1/XEF

Service Bom (SA: SERVICE AVAILABLE, SNA: SERVICE NOT AVAILABLE)

Drawing No.	Code No.	Description	Specification	QTY	Un	SA/SNA
0	DC97-16454A	ASSY FRAME FRONT	HEBA-PJT,WF8804DPA/XEO,	1	PC	SA
1	DC61-01917A	GUIDE-FILTER	WF8804DP,PP,T2.5,W300,L200,WHT,-	1	PC	SA
2	DC61-01919A	BRACKET-HINGE	WF8804DP,GI,T1.4,W30,L150,-,TAP	1	PC	SA
3	DC63-01287A	COVER-FILTER	WF8804DPA,ABS,WHITE	1	PC	SNA
4	DC64-01538A	DOOR-LOCK S/W	ZV-446L5,PA66,T19.5,-,W95.3,-,BLK,250V/16A	1	PC	SA
5	DC97-14343R	ASSY DOOR	SCOUT,WF0804Y8E1/XEF,ABS,T2.5,	1	PC	SNA
5-1	6002-000444	SCREW-TAPPING	TH,+,-,2,M4,L14,PASS,STS430	12	PC	SNA
5-2	DC61-00891A	GUIDE-HINGE	HAUZEN(DOM),POM,-,-,-,WHT,HINGE	4	PC	SA
5-3	DC61-01910A	HINGE-DOOR	WF8804DP,ALDC,T5.0,W30,L150,-,-,Ni	1	PC	SA
5-4	DC61-01915B	BRACKET-HOLDER	WF8804DP,GI,T1.2,W45,L160,-,-	1	PC	SA
5-5	DC64-01521A	DOOR-GLASS	WF8804DP,NON-HeatTreatment GLASS,T5.0,H100.5,-,-,NAT,BOROSILICATE	1	PC	SA
5-6	6002-000520	SCREW-TAPPING	TH,+,-,2,M4,L12,ZPC(WHT),S	4	PC	SNA
5-7	DC97-14328F	ASSY COVER DOOR	GRIFFIN-PJT,WF9904RWE, ABS+STS430,CR+HAIR LINE	1	PC	SA
5-7-1	DC63-00855A	COVER-DOOR	WF8804DP,ABS,T3.0,W480,L480,-,-,WHT,CR	1	PC	SNA
5-7-2	DC64-01930A	DECORATION-DOOR	WF9904RWE/XEU,STS430,T0.5,W463 ,NTR,GRIFFIN PJT	1	PC	SNA
5-8	DC97-15375E	ASSY HOLDER GLASS	HEBA-COMBO,WD8804RJA,P	1	PC	SA
5-8-1	DC64-00564A	HANDLE-PIN	Q1636GW/XEU,STS,-,-,-,-,TS-	1	PC	SA
5-8-2	DC61-01909A	HOLDER GLASS	WF8804DP,PP,T3.0,W480,L480,GRY,M T43HG RESIN	1	PC	SA
5-8-3	DC61-02027B	SPRING ETC-LEVER	WF8804DPA1,STAINLESS-ST	1	PC	SA
5-8-4	DC63-00853A	COVER HANDLE	WF8804DP,ABS,T2.5,W60,L125,-,-,GRY,-	1	PC	SA
5-8-5	DC64-01524A	HANDLE DOOR	WF8804DP,ABS,T2.5,W25,L125,-,GRY,-	1	PC	SA
5-8-6	DC66-00497B	LEVER-DOOR	WF8804DPA1,ZNDC,T5,W10,L35,PL	1	PC	SA
6	6009-001522	SCREW-HEX	HEX,+,-,M5,L16,PASS,STS430,FP,NYLOCK	2	PC	SA
7	DC97-15021H	ASSY FRAME FRONT(S)	HEBA-PJT,WF8804DPA/X	1	PC	SA
7-1	DC60-00018A	RIVET-PLATE	-,MSWR,D3.9,-,-,L30,WHT,-,-	4	PC	SNA
7-2	DC61-02919A	FRAME-FRONT	WF8804HPA,EGI-SECC,T0.8	1	PC	SNA
7-3	DC61-01981A	BRACKET-FRAME	WF8804DP,GI,T0.8,W20,L310,-,-	1	PC	SNA
8	DC91-12078D	ASSY WIRE DIAPHRAGM	HEBA-PJT,-,-,-,-,-	1	PC	SA
9	DC63-00967A	COVER-DOOR SWITCH	AEGIS-PJT/ WF8500NHW,PP,T2.5,W2 5.9,L90.2,5VA GRADE,NTR,ZV-446	1	PC	SA
10	6002-000471	SCREW-TAPPING	TH,+,-,1,M4,L12,PASS,STS304,-	2	PC	SA

5-5. PANEL-CONTROL & DRAWER



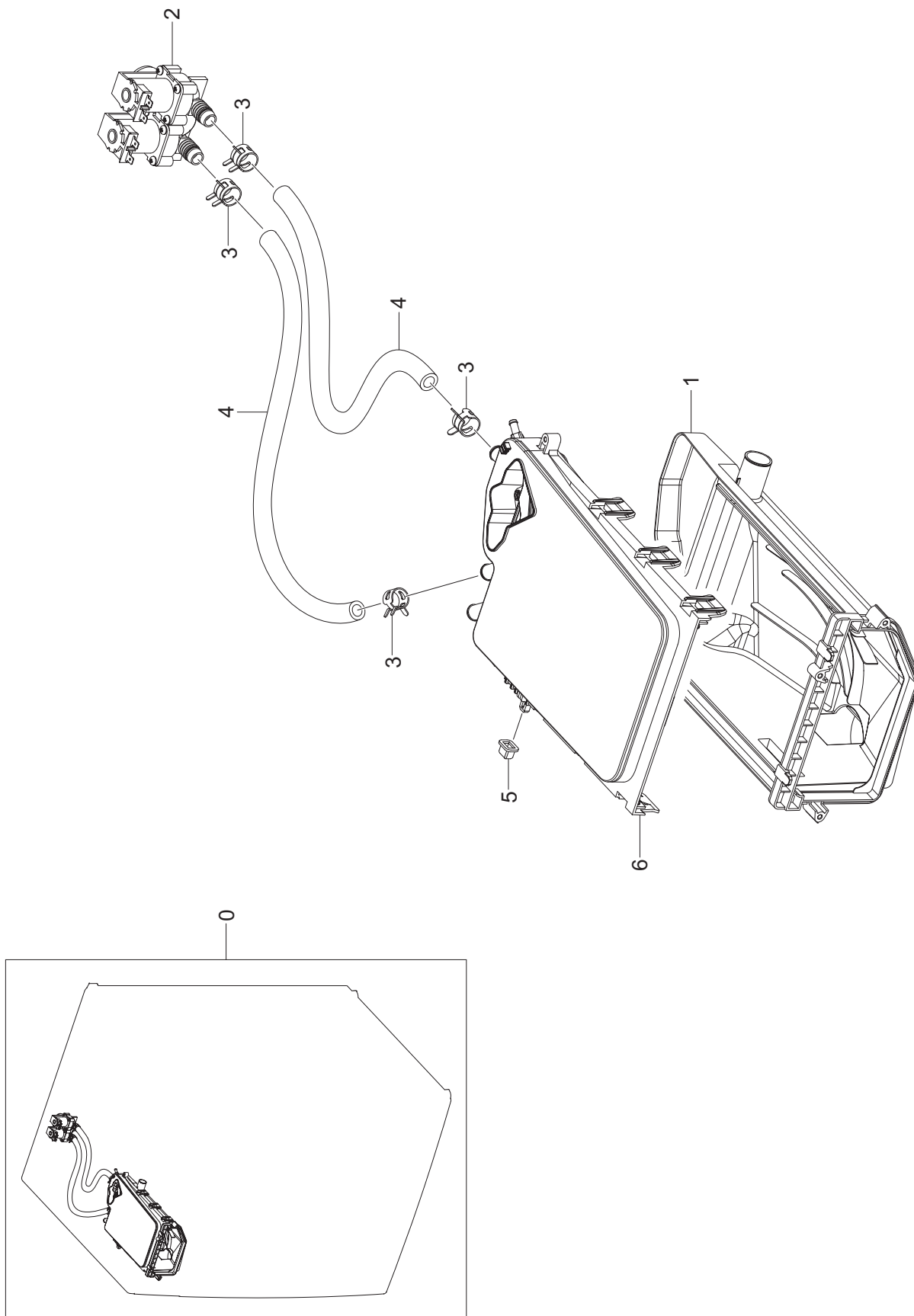
50 _ Exploded views and Parts list

MODEL CODE: WF9904AWE1/XEF

Service Bom (SA: SERVICE AVAILABLE, SNA: SERVICE NOT AVAILABLE)

Drawing No.	Code No.	Description	Specification	QTY	Un	SA/SNA
0		Panel-Control & Drawer		1		
1	DC97-15723B	ASSY KNOB ENCODER	GRIFFIN-PJT,WF9904RWE,	1	PC	SA
1-1	DC64-01927A	KNOB-ENCODER	WF9904RWE/XEU,ABS,T2.5,W49.8,L37.9,BLACK,GRIFFIN-PJT	1	PC	SNA
1-2	DC64-01931A	DECORATION-ENCODER	WF9904RWE/XEU,ABS,T2.2,W50.8,L14.7,DA WHITE,GRIFFIN-PJT	1	PC	SNA
1-3	DC64-01988B	DECORATION-ENCODER(I)	GRIFFIN-PJT,PC,T1.	1	PC	SC
2	DC97-15700N	ASSY PANEL CONTROL	GRFFIN-PJT,WF9904AWE/	1	PC	SA
2-1	DC64-01923A	PANEL-CONTROL	WF9904RWE/XEU,ABS,T2.5,W15	1	PC	SNA
2-2	DC64-01533A	WINDOW-ENCODER	HEBA,ABS,T2.0,-,-,BLK,H	1	PC	SNA
2-3	DC97-15702G	ASSY BUTTON	GRIFFIN,WF9904FWE/XEF,BLACK,	1	PC	SA
2-3-1	DC64-01917A	BUTTON-PUSH(F)	WF9904RWE/XEU,ABS,T2.0,-,	1	PC	SNA
2-3-2	DC64-01918B	BUTTON-PUSH(O)	WF9904RWE/XEU,ABS,W24.7 L	1	PC	SNA
2-3-3	DC64-01919B	BUTTON-PUSH(O)	WF9904RWE/XEU,ABS,W24.7 L	1	PC	SNA
2-3-4	DC64-01920A	WINDOW-PANEL	WF9904RWE/XEU,ACRYL(PMMA),T	1	PC	SNA
2-3-5	DC64-01921A	BUTTON-RUBBER	WF9904RWE/XEU,SILICON,W195	1	PC	SNA
2-3-6	DC64-01936B	BUTTON-PUSH(O)	WF9904RWE/XEU,ABS,W24.7xL	1	PC	SNA
2-3-7	DC64-01937B	BUTTON-PUSH(O)	WF9904RWE/XEU,ABS,W24.7xL	1	PC	SNA
3	DC92-00267E	ASSY PCB SUB	GRIPPIN SUB,WF9904AWE/XEF,9	1	PC	SA
3-1	DC61-02683A	GUIDE-PCB(S)	SCOUT-PJT,ABS,T2.5,NATURAL,BEST/BETTER	1	PC	SA
3-2	DC96-00929E	ASSY WIRE HARNESS	Frontier4MC,HFR178RTW,	1	PC	SNA
4	DC97-14654W	ASSY HOUSING DRAWER	HEBA,WF9904RWE/XEU,N	1	PC	SA
4-1	DC61-02973A	BODY-DRAWER	WD8804DPA,PP,T2.0,NTR,HEBA	1	PC	SA
4-2	DC64-01929A	HANDLE-DRAWER	WF9904RWE/XEU,ABS,T2.0,W17	1	PC	SNA
4-3	-	MASCOT	-	-	PC	SNA
4-4	DC64-01928A	PANEL-DRAWER	WF9904RWE/XEU,ABS,T1.0,W185	1	PC	SNA
4-5	DC61-02972A	STOPPER-DRAWER	WF8804DPA,PP+GF,T2.0,NTR,	1	PC	SNA

5-6. ASS'Y HOUSING DRAWER









MODEL CODE: WF9904AWE1/XEF

Service Bom (SA: SERVICE AVAILABLE, SNA: SERVICE NOT AVAILABLE)

Drawing No.	Code No.	Description	Specification	QTY	Un	SA/SNA
0	DC97-14654W	ASSY HOUSING DRAWER	HEBA,WF9904RWE/XEU,N	1	PC	SA
1	DC61-02434A	HOUSING-DRAWER L	HEBA-PJT,PP,T1.8,NTR	1	PC	SA
2	DC62-00024F	VALVE-WATER	B1215J,NYLON66/250TRMN,NTR,2	1	PC	SA
3	DC65-00008A	CLAMPER HOSE	SEW-DR605,SK5,-,-,YEL,ID14.2/T0.9	4	PC	SNA
4	DC67-00051B	HOSE-DRAWER	Q1636GW/XEU,EPDM,ID9.0,OD14.5,-,-,BLK,-	0.21	M	SA
4	DC67-00051B	HOSE-DRAWER	Q1636GW/XEU,EPDM,ID9.0,OD14.5,-,-,BLK,-	0.21	M	SA
5	DC67-00327A	CAP-DRAWER HOOK	HEBA-PJT,EPDM,T1.1,W13.9/L10.8,H9.2,BLK,-	1	PC	SNA
6	DC97-14656B	ASSY S.HOUSING DRAWER	HEBA-PJT,-,PP,8kg,	1	PC	SNA
8	DC61-01917A	GUIDE-FILTER	WF8804DP,PP,T2.5,W300,L200,	1	PC	SNA

5-7. SMALL PARTS WF9904AWE1/XEF

					
1	2	3	4	5	6

MODEL CODE: WF9904AWE1/XEF

Service Bom (SA: SERVICE AVAILABLE, SNA: SERVICE NOT AVAILABLE)

Drawing No.	Code No.	Description	Specification	Install. Point	QTY	Un	SA/SNA
1	DC61-00995C	HOLDER-WIRE	SEW-HKR149ATA,NYLON66,-,-,128,-,NEW-K4 PJT	FRAME+MAIN(WIRE)	1	PC	SA
2	DC61-40081A	HOLDER-WIRE	DAWH-2NC,NYLON,NTR(PI18.5)	FRM+H-DRAIN+P-CODE	3	PC	SNA
2	DC61-40081A	HOLDER-WIRE	DAWH-2NC,NYLON,NTR(PI18.5)	WIRE+FRAME(BACK_LO)	3	PC	SNA
2	DC61-40081A	HOLDER-WIRE	DAWH-2NC,NYLON,NTR(PI18.5)	WIRE+FRAME(BACK_R)	3	PC	SNA
2	DC61-40081A	HOLDER-WIRE	DAWH-2NC,NYLON,NTR(PI18.5)	WIRE+FRAME(PLATE_L)	1	PC	SNA
2	DC61-40081A	HOLDER-WIRE	DAWH-2NC,NYLON,NTR(PI18.5)	ASSY FRAME PLATE(U)	1	PC	SNA
3	DC61-40083A	HOLDER-WIRE	DAWH-3ND,NYLON,NTR(PI25)/NYLON66	FRAME+HOSE(O)	1	PC	SNA
4	DC61-00133A	CLAMPER HOSE-FIX	P1291,PP,ID24.5,OD29.5,HOSE+PLUG,BJ-730	FRM+H-DRAIN+P-CODE	1	PC	SNA
5	DC61-00118A	CLAMPER HOSE-FIX	P1291,NYLON66,ID27,OD30	H-DRAIN(O)+FRAME	1	PC	SNA
6	DE65-20026A	HOLDER-WIRE	PA,NTR,LOCK-TWIST/STAND/Y260	WIRE+FRAME(BACK_U)	2	PC	SNA

5-8. PARTS LIST (OTHERS PARTS)

MODEL CODE: WF9904AWE1/XEF

Service Bom (**SA**: SERVICE AVAILABLE, **SNA**: SERVICE NOT AVAILABLE)

Code No.	Description	Specification	QTY	Un	SA/SNA
3404-001407	SWITCH-TACT	12V DC,50mA,230gf,8x8x13mm,S	11	PC	SNA
3406-001130	SWITCH-ROTARY	5VDC,0.5mA,1,12mm	1	PC	SNA

5-9. PARTS LIST (SCREW PARTS)

MODEL CODE: WF9904AWE1/XEF

Service Bom (SA: SERVICE AVAILABLE, SNA: SERVICE NOT AVAILABLE)

Code No.	Description	Specification	QTY	Un	SA/SNA
6002-000520	SCREW-TAPPING	TH,+,-,2,M4,L12,ZPC(WHT),S	4	PC	SNA
6003-001768	SCREW-TAPTYPE	TH,+ ,WT,S,M4,L10,ZPC(WHT),	2	PC	SNA
6006-001174	SCREW-TAPPING	TH,+ ,WE,2S,M4,L12,ZPC(WHT)	5	PC	SNA
6002-001327	SCREW-TAPPING	PWH,+ ,1,M4,L12,ZPC(WHT),SW	6	PC	SNA
6006-001174	SCREW-TAPPING	TH,+ ,WE,2S,M4,L12,ZPC(WHT)	2	PC	SNA
DE60-10080A	SCREW-TAPPING	PWH,+,-,2S,M5,L9,-,SWRCH18	2	PC	SNA
6002-000445	SCREW-TAPPING	TH,+ ,2,M4,L18,PASS,STS304	2	PC	SNA
6002-000520	SCREW-TAPPING	TH,+,-,2,M4,L12,ZPC(WHT),S	1	PC	SNA
6009-001367	SCREW-HEX	HWH,+,-,M6.5,L32,ZPC(WHT),SWRC	16	PC	SNA
6002-001006	SCREW-TAPPING	TH,+,-,2S,M4,L12,PASS,STS4	3	PC	SNA
6002-000471	SCREW-TAPPING	TH,+,-,1,M4,L12,PASS,STS30	2	PC	SNA
6002-000520	SCREW-TAPPING	TH,+,-,2,M4,L12,ZPC(WHT),S	1	PC	SNA
6002-000444	SCREW-TAPPING	TH,+ ,2,M4,L14,PASS,STS430	2	PC	SNA
6002-000445	SCREW-TAPPING	TH,+ ,2,M4,L18,PASS,STS304	2	PC	SNA
6002-000520	SCREW-TAPPING	TH,+,-,2,M4,L12,ZPC(WHT),S	1	PC	SNA
6002-001438	SCREW-TAPPING	HWH,+ ,1,M5,L12,ZPC(WHT),SW	2	PC	SNA
6006-001174	SCREW-TAPPING	TH,+ ,WE,2S,M4,L12,ZPC(WHT)	6	PC	SNA
6009-001343	SCREW-SPECIAL	PH,TORX,M4,L10,ZPC(WHT),SW	1	PC	SNA
6001-000115	SCREW-MACHINE	BH,+,-,M3,L10,ZPC(WHT),SWR	2	PC	SNA
6002-000520	SCREW-TAPPING	TH,+,-,2,M4,L12,ZPC(WHT),S	2	PC	SNA
6002-000630	SCREW-TAPPING	PH,+ ,NO,2S,M3,L8,ZPC(WHT),	3	PC	SNA
6002-001436	SCREW-TAPPING	PH,+ ,2,M4,L18,ZPC(WHT),SWR	6	PC	SNA
6002-000471	SCREW-TAPPING	TH,+,-,1,M4,L12,PASS,STS30	2	PC	SNA
6002-000520	SCREW-TAPPING	TH,+,-,2,M4,L12,ZPC(WHT),S	4	PC	SNA
6009-001522	SCREW-HEX	HEX,+,-,M5,L16,PASS,STS430,FP,	2	PC	SNA
6002-000239	SCREW-TAPPING	TH,+ ,NO,2S,M4,L8,ZPC(WHT),	2	PC	SNA
6002-000444	SCREW-TAPPING	TH,+ ,2,M4,L14,PASS,STS430	12	PC	SNA
6002-001436	SCREW-TAPPING	PH,+ ,2,M4,L18,ZPC(WHT),SWR	3	PC	SNA
6001-000115	SCREW-MACHINE	BH,+,-,M3,L10,ZPC(WHT),SWR	1	PC	SNA
6001-000115	SCREW-MACHINE	BH,+,-,M3,L10,ZPC(WHT),SWR	1	PC	SNA
6001-000115	SCREW-MACHINE	BH,+,-,M3,L10,ZPC(WHT),SWR	2	PC	SNA
6002-001436	SCREW-TAPPING	PH,+ ,2,M4,L18,ZPC(WHT),SWR	6	PC	SNA