

5. EXPLODED VIEWS AND PARTS LIST



[MATERIAL CODE STANDARDS]

Material codes and names and their respective naming rules are managed in accordance with the prescribed standards. Please refer to these standards when requesting a material.

1. Material Code Type

● : Number

■ : Letter (Alphabet)

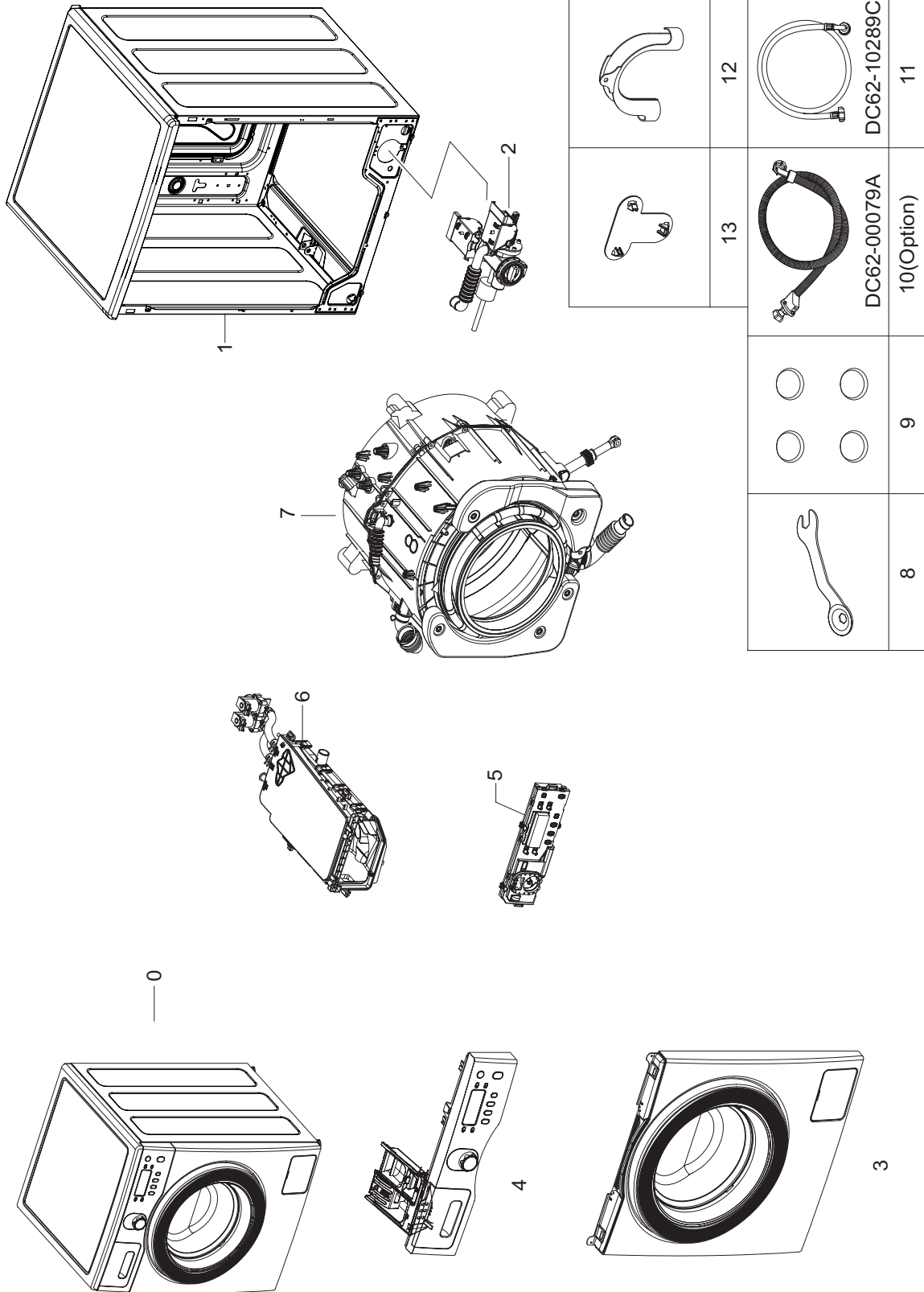
Type 1	 ex) 2007-000300 R-CHIP	Enterprise-wide parts Type 1 materials can be used for all Samsung Electronics products. (Most electrical parts belong to this type.)
Type 2	 ex) DC96-01390A ASSY-CONTROL	Division-wide parts (DC**-Washing machine) Type 2 materials can be used for specific products. (Most instruments and tools belong to this type.)

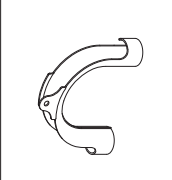
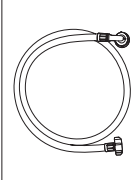
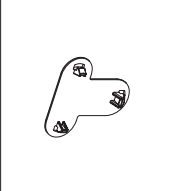

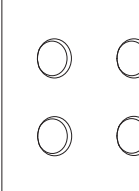
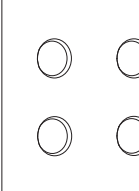
2. Ass'y Materials

All ass'y material codes start with DC9*.

An ass'y material is created by combining more than two materials. If a requested material cannot be provided, you can request an ass'y material that contains that material.

5-1. MAIN



	12		DC62-10289C	11
	13		DC62-00079A	10(Optional)
	8			9

36 _ Exploded views and Parts list

MODEL CODE: WF1804WPC/XEU

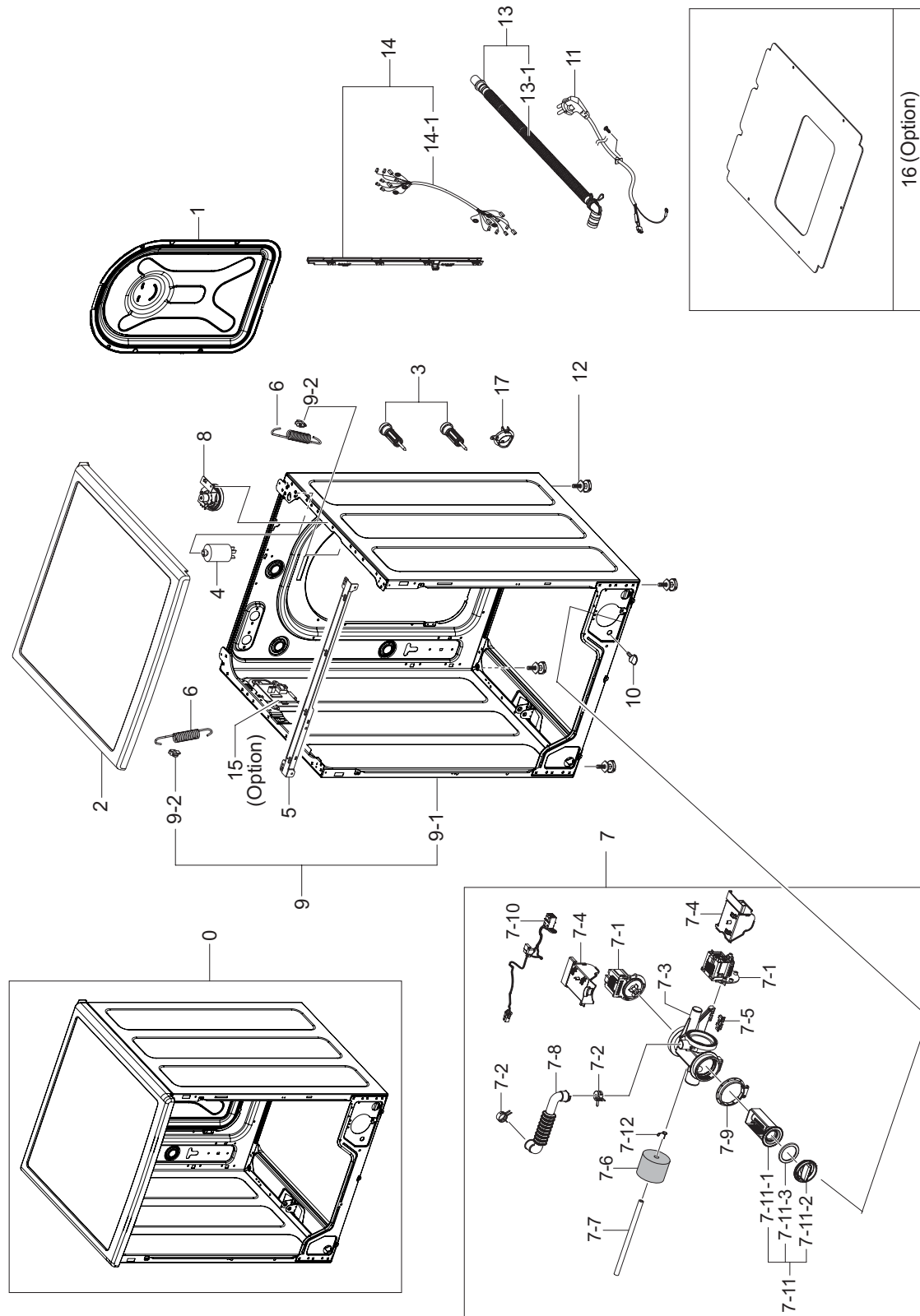
Service Bom (SA: SERVICE AVAILABLE, SNA: SERVICE NOT AVAILABLE)

Drawing No.	Code No.	Description	Specification	QTY	Un	SA/SNA
0	WF1804WPC_XEU	SET				
1		FRAME & COVER PARTS	Refer to 5.2 Frame & Cover Parts	1		
2	DC97-15696E	ASSY PUMP DRAIN	SCOUT-PJT,WF0804Y8E/XEF,BUBBLE/ASSY WIRE,50HZ,HANYU	1	PC	SNA
3	DC97-16454A	ASSY FRAME FRONT	HEBA-PJT,WF8804DPA/XEO,WHITE	1	PC	SA
4		PANEL-CONTROL & DRAWER	Referto5.4Control&Drawer	1		
5	DC92-00651A	ASSY PCB MAIN	Vistula best PJT,WF1804WPC/XEU,8KG 1400RPM,230V/50HZ,bubble,Y,SMPS	1	PC	SA
6	DC97-16005J	ASSY HOUSING DRAWER	VISTULA,WF1804WPC/XEU,COLD	1	PC	SA
7	DC90-06164A	ASSY TUB&DRUM	Heba-bumb-Universal,WF1804WPC/XEU	1	PC	SNA
8	DC60-40146A	BOLT-SPANER	-,CR,-,T2.5,OD36,-,-,-,-	1	PC	SA
9	DC67-00307A	CAP-FIXER	WF438AAC/XAA,PP,T1.5,Φ33,-,WHT,PURPLE-PJT	4	PC	SA
10	DC62-00079A	HOSE-WATER	P1405J,PVC+NYLON,-,-,-,L1500,GRY,ACQUA-STOP	1	PC	SA
11	DC62-10289C	HOSE-WATER(C)	RUSSIA,PVC+NYLON,ID10.3,-,-,L1500,GRY,COLD/LOCAL	1	PC	SA
12	DC62-10278A	HOSE-HANGER	PP,NTR,JS20RESIN	1	PC	SNA
13	DC67-00208A	CAP-FIXER	J1453GW/XEU,PP,T1.5,NTR	1	PC	SA

Exploded views and Parts list _ 37

MEMO

5-2. FRAME & COVER PARTS



Exploded views and Parts list _ 39

MODEL CODE: WF1804WPC/XEU

Service Bom (SA: SERVICE AVAILABLE, SNA: SERVICE NOT AVAILABLE)

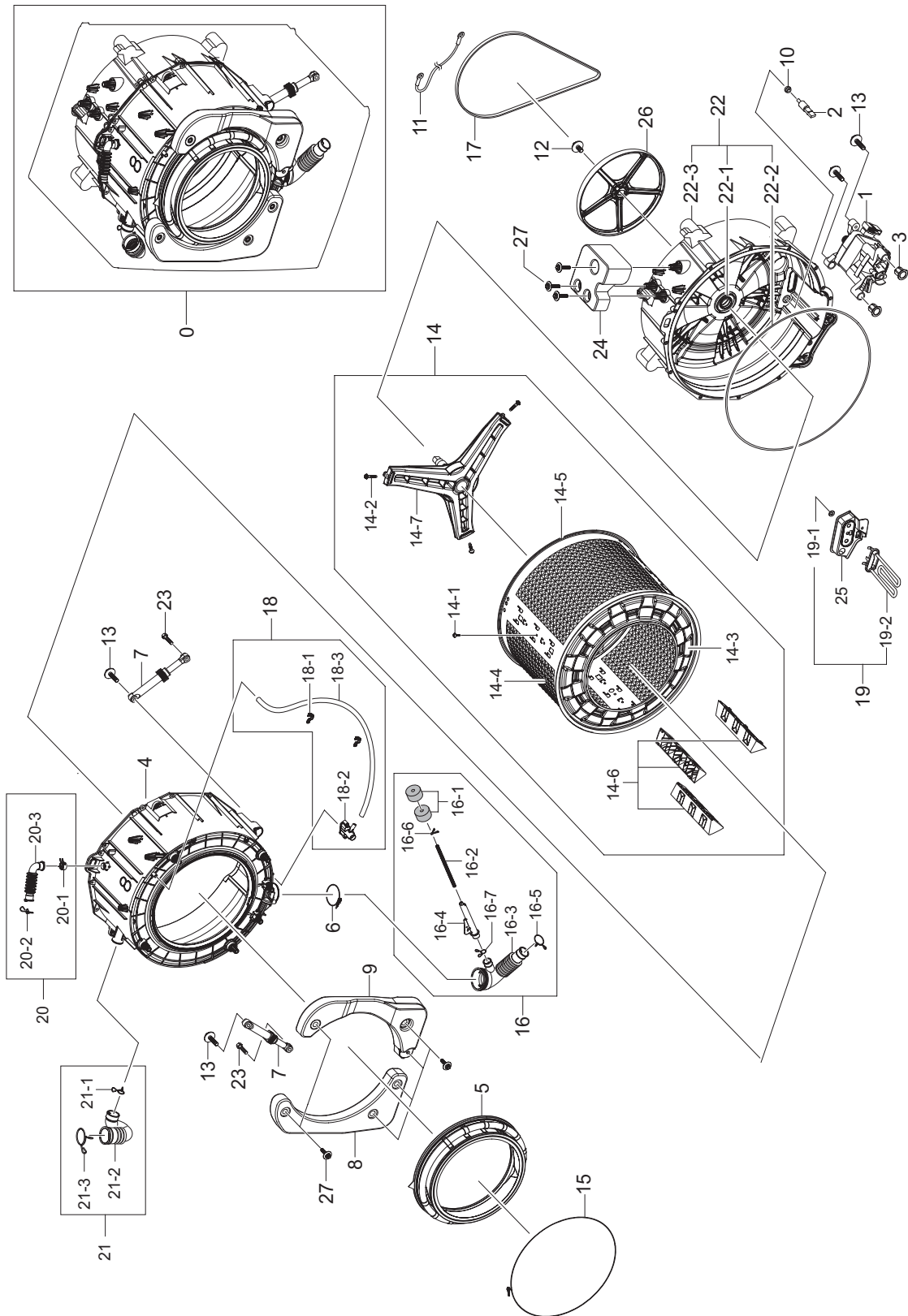
Drawing No.	Code No.	Description	Specification	QTY	Un	SA/SNA
0		FRAME & COVER PARTS	Refer to 5.2 Frame & Cover Parts	1		
1	DC63-00862C	COVER-BACK	WF8600NMW,GI,T0.35,W352,L490,-,-,NATURAL,-	1	PC	SA
2	DC97-14953A	ASSY COVER TOP	HEBA-PJT,-,WOOD+ALFOIL+URETHANE,9.2(WOOD)/T0.35(ALFOIL),150X200(ALFOIL),-	1	PC	SA
3	DC97-14653C	ASSY FIXER TUB	SCOUT,WF0804Y8E/XEF	4	PC	SA
4	DC29-00005A	FILTER-EMI	FA-2151T-1,P/PV-PJT,250V,15A,D38*51(+BOLT,NUT),-,-,VDE,-,-	1	PC	SA
5	DC97-16466A	ASSY FRAME PLATE(U)	HEBA-SSEC PJT,WF8804HPA/XEH,GI,T1.2,NTR	1	PC	SA
6	DC61-02029A	SPRING ETC-HANGER	HEBA,HSWR,CD3.5,ID24.8,OD26,L153,TUR NS183/4,-,BLK,-,-	2	PC	SA
7	DC97-15696E	ASSY PUMP DRAIN	SCOUT-PJT,WF0804Y8E/XEF,BUBBLE/ASSY WIRE,50HZ,HANYU	1	PC	SNA
7-1	DC31-00030A	PUMP-DRAIN	B20-6,220V,50Hz,-,HANYU	2	PC	SA
7-2	DC61-00158A	CLAMPER HOSE	SW65ASP,SK5,ID23,T0.8/YEL	2	PC	SNA
7-3	DC61-02271B	CASE-PUMP	WF0804Y8E/XEF,PP,T2.5,W153.6,L133.2,WHI TE,2WAY/SEAU	1	PC	SA
7-4	DC63-00830A	COVER-PUMP	COVER-PUMP,PP,T2.1,W60.5,L75,V0 GRADE,WHT	2	PC	SNA
7-5	DC63-00905A	CUSHION-PUMP	WF8802DPF/XET,NBR,-,W37.6,L11.6,BLK,-	1	PC	SNA
7-6	DC63-10003C	SPONGE-HOSE AIR	POL,GRY,SWF-P12,HB22-GREY,	1	PC	SNA
7-7	DC67-00244D	HOSE-DRAIN	-,EPDM,ID6,OD11,T0.6,L270,BLK,-	1	PC	SA
7-8	DC67-00461A	HOSE-AIR TUB	SCOUT- PJT,EPDM,T1.5,BLK	1	PC	SA
7-9	DC69-01128A	PACKING-PUMP	WF8804DP,RUB-OTH,BUTYL,T2.5,W74,L74,11.6,BLK,10.8g,-,-,-,HEBA-PJT	1	PC	SNA
7-10	DC93-00016C	ASSY WIRE HARNESS-PUMP	GRIFFIN,CIRCULTION+DRAIN	1	PC	SA
7-11	DC97-15695A	ASSY FILTER	SEW-HVR149ATA,EPDM,-,40,-,BLK,-,-,-,-	1	PC	SNA
7-11-1	DC63-00998A	FILTER-PUMP	WF8702LSW,PP,T2.0,W52.8,L93.9,NTR,2WAY/SEAU	1	PC	SNA
7-11-2	DC64-01317A	HANDLE-FILTER	HANDLE-FILTER,PP,T2.5,W55,L35,-,BLK,-	1	PC	SNA
7-11-3	DC73-00022A	SEAL-RUBBER	SEW-HVR149ATA,EPDM,-,40,-,BLK,-,-,-,-	1	PC	SNA
7-12	DD65-00001F	CLAMPER HOSE	SDW-H120,STEEL,-,D10.5/T1.2,-,-	1	PC	SNA
8	DC96-01703A	ASSY SENSOR PRESSURE	AEGIS-PJT,-,-,DRUM/PCBTYPE,-,-	1	PC	SA
9	DC97-16438H	ASSY FRAME	HEBA-PJT,WF8804DPA/XEO,WHITE	1	PC	SA
9-1	DC61-02939A	FRAME	HEBA-SSEC,GI-SGCC,NTR,T0.8,W598.4,L792,7KG	1	PC	SNA
9-2	DC61-02065A	GUIDE-SPRING	WF448AAG/XXA,POM,T4,W24,L25.5,WHT,-	1	PC	SNA
10	DC61-10673A	CAP-DRAIN	SWF-P12,PP(TB53),-,-,-,WHT,-,	1	PC	SNA

40 _ Exploded views and Parts list

Drawing No.	Code No.	Description	Specification	QTY	Un	SA/SNA
11	DC90-11229B	ASSY POWER CORD	BF3,-,SWF-P12,1900	1	PC	SA
12	DC97-00920C	ASSY LEG	SEW-HW108,-,-,-,-	4	PC	SNA
13	DC97-02250Z	ASSY HOSE DRAIN(O)	COMBO-PJT,L1920,OD25,WHT	1	PC	SA
13-1	DC62-10022G	HOSE-PUMP	SWF-P12,PP,ID21,OD26,-,L2200,WHT,-	1	PC	SNA
14	DC93-00273A	ASSY M.GUIDE WIRE HARNESS	HEBA-PJT,SSEC,AG,AIR WASH	1	PC	SA
14-1	DC96-00814E	ASSY M. WIRE HARNESS	Vistula PJT,SUB PBA,230V/50Hz,8PIN,L200	1	PC	SNA
15	DC92-00655A	ASSY PCB SUB	Vistula best sub,WF1804WPC/XEU,8kg 1400rpm,230V/50Hz,bubble,Y,SMPS	1	PC	SA
16	DC64-01757A	SHUTTER	HEBA-PJT,PP,T3.0,-,-,WHT,7kg/DANPLA/MAIN	1	PC	SA
17	DC61-02646A	GUIDE-HOSE	WF0804Y8E,PP,T2.0,W10.0,L36.6,NATURAL, SCOUT-PJT	1	PC	SNA

Exploded views and Parts list _ 41

5-3. ASS'Y TUB DRUM



42 _ Exploded views and Parts list

MODEL CODE: WF1804WPC/XEU

Service Bom (SA: SERVICE AVAILABLE, SNA: SERVICE NOT AVAILABLE)

Drawing No.	Code No.	Description	Specification	QTY	Un	SA/SNA
0	DC90-06164A	ASSY TUB&DRUM	Heba-bumb-Universal,WF1804WPC/XEU	1	PC	SNA
1	DC31-00002T	MOTOR UNIVERSAL-DRUM	MCC 52/64-148/SEC11,1400,-,220-240,2.5A,-,50,430W,Heba1400,-,16800,2.1A,-,F,60	1	PC	SA
2	DC32-00010B	THERMISTOR	NTSF0123XZ004,R=3.243KΩ±2%(at 60),20□/K(In water), -10□ ~ 100□,-,5,-,5,-	1	PC	SNA
3	DC61-01088A	BUSH-MOTOR	Q1636,NYLON6,ID16,OD20,L21.5,NTR,-	2	PC	SNA
4	DC61-01932D	TUB-FRONT	HEBA PJT,FRPP,ID528,OD575,NTR,8KG/AIR-HOLE	1	PC	SNA
5	DC64-01602A	DOOR-DIAPHRAGM	HEBA-PJT,EPDM,T2.0,-,-,-,GRY,WASHER	1	PC	SNA
6	DC65-00021A	CLAMPER HOSE-JOINT	HEBAPJT,HSWR,-,ID74/OD78,WHT,-	1	PC	SNA
7	DC66-00421B	DAMPER-SHOCK	HEBA-SSEC PJT,PP,L215,80N	2	PC	SNA
8	DC97-16008A	ASSY WEIGHT-BALANCER(L)	SCOUT-PJT,WF0804Y8E/XEF,6.5KG,PP+CONCRETE	1	PC	SA
9	DC97-15966A	ASSY WEIGHT-BALANCER(R)	SCOUT-PJT,WF0804Y8E/XEF,6.5KG,PP+CONCRETE	1	PC	SA
10	DC69-00824A	PACKING-THERMISTOR	GW-PJT,EPDM,EPDM,-,W17,-,H11,BLACK,1.25g,-,-,-,-	1	PC	SNA
11	DC93-00015A	ASSY WIRE EARTH	AEGIS,5KG,230V/50HZ,EARTH WIRE,AEGIS,-	1	PC	SA
12	DC97-06080A	ASSY BOLT	SEW-3HR107,BOLT+WASHER,-,-,-,-	1	PC	SNA
13	DC97-14263A	ASSY BOLT	HEBA-PJT,MOTOR/BOLT(M8)+WASHER(OD28.6),-,-,-,-	2	PC	SA
14	DC97-14371E	ASSY DRUM	SSEC HEBA,WF8804DPA,8KG,1400rpm	1	PC	SA
14-1	6002-001006	SCREW-TAPPING	TH,+,-,2S,M4,L12,PASS,STS430,-	3	PC	SNA
14-2	DC60-40137A	BOLT-HEX	MARS-PJT,STS430,M8,-,P1.25,L30,-,-,HEX/KNURING	3	PC	SA
14-3	DC66-00489B	DRUM-FRONT	HEBAPJT(8kg),STS430,ID492,OD492.4,-,-,T0.5	1	PC	SNA
14-4	DC66-00491A	DRUM-WRAPPER	HEBAPJT/8.0kg,STS430,ID492,OD492.4,L371.2,-,CUBEDRUM/T0.5	1	PC	SNA
14-5	DC66-00492A	DRUM-BACK	HEBAPJT,STS430,ID492,OD492.4,T0.5	1	PC	SNA
14-6	DC66-00493A	DRUM-LIFTER	HEBAPJT,PP-TI42,-,-,L246,NTR,7/8KG	3	PC	SA
14-7	DC97-14370D	ASSY FLANGE SHAFT	SSEC HEBA,WF8802DPA,1200rpm	1	PC	SA
15	DC91-12077G	ASSY CLAMP DIAPHRAGM	AEGIS,WF8500NH/WLP,-,72A/ZPC2-YEL,-,-	1	PC	SNA
16	DC97-14637G	ASSY HOSE PRESSURE	SCOUT COMBO,WD0804W8N1	1	PC	SA
16-1	DC63-10003C	SPONGE-HOSE AIR	POL,GRY,SWF-P12,HB22-GREY,	2	PC	SNA
16-2	DC67-00230E	HOSE-WATER	WD8704,TPE,ID4.5,OD8.0,T1.75,L635,BLK	1	PC	SNA
16-3	DC67-00293A	HOSE-FILTER TUB	HEBA-PJT,EPDM,-,-,T2.5,-,BLK,-	1	PC	SA
16-4	DC67-00297A	HOSE-JOINT AIR	HEBA&Aegis-PJT,PP,ID22,OD26,T2.0,L150,NTR	1	PC	SNA
16-5	DC72-00001H	BAND-RING	HEBA-PJT,HSWR,PI3.0,ID35,-,WHT,HOSE-FILTER+PUMP-CASE	1	PC	SNA
16-6	DC61-70029C	SPRING-CLIP	SEW-HW125,HSWR67,CD1.2,ID8.5,OD10.9,-,-,-,WHT,-,-	1	PC	SNA
16-7	DC65-60125B	BAND-RING	-,HSWR,T2.4,PI25,-,YEL,-	1	PC	SNA
17	6602-001497	BELT-TIMING GEAR	-,RUBBER(GATES),T3.4,-,1270-5J,BLK	1	PC	SA
18	DC97-15993A	ASSY HOSE AIR	SCOUT,WF0804Y8E,EPDM,L703,OD14.5,BLACK	1	PC	SA
18-1	DC61-02646A	GUIDE HOSE	WF0804Y8E,PP,T2.0,W10.0,L36.6,NATURAL,SCOUT-PJT	2	PC	SNA
18-2	DC67-00462A	HOSE-CONNECTOR	WF0804Y8E,PP,NTR,SCOUT-PJT	1	PC	SA
18-3	DC67-00471A	HOSE-CIRCULATION	WF0804Y8E,EPDM,ID9.0,OD14.5,L703,BLK,SCOUT-PJT	1	PC	SNA
19	DC47-00033A	HEATER-WASH	HEBA,SUS316L+CERAMIC COATING,2000,8.69,230V,26.46,8.5mm,220mm,Double Fuse	1	PC	SNA
19-1	DC60-60044B	WASHER-PLAIN	-,SBC,ID8.4/OD30,T2.0,-,-,-,-	1	PC	SNA

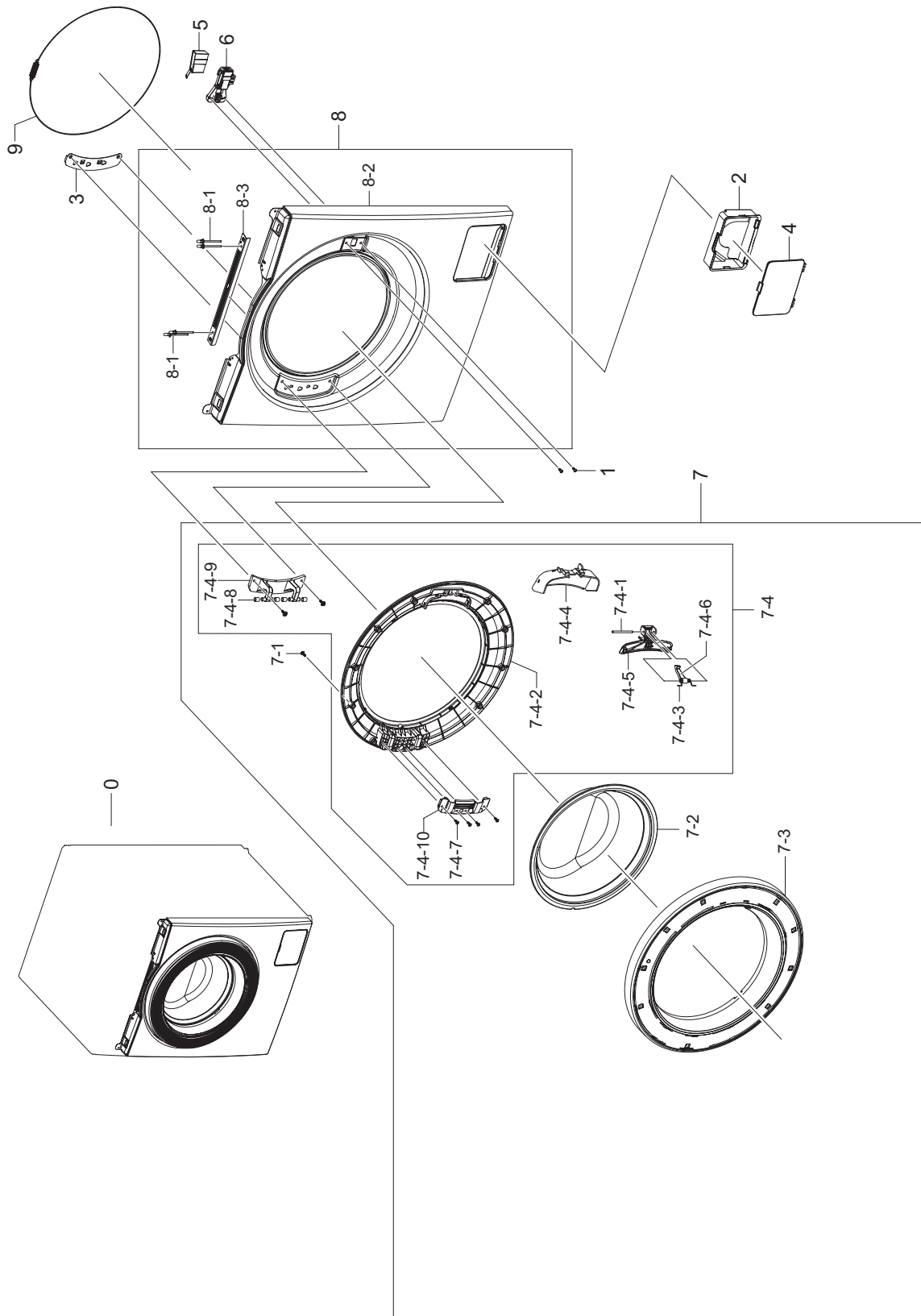
Exploded views and Parts list _ 43

MODEL CODE: WF1804WPC/XEU

Service Bom (SA: SERVICE AVAILABLE, SNA: SERVICE NOT AVAILABLE)

Drawing No.	Code No.	Description	Specification	QTY	Un	SA/SNA
19-2	DC63-00889C	COVER-HEATER	EBA_120V,ABS+PC,T3.0,W160.0,L80.6,5VA GRADE,NATURAL	1	PC	SA
20	DC97-14873A	ASSY HOSE AIR	WF8804DP,-,HOSE-AIR+BAND-RING,-,-,-	1	PC	SA
20-1	DC61-00158A	CLAMPER HOSE	SW65ASP,SK5,ID23,-,T0.8/YEL,	1	PC	SNA
20-2	DC65-60118J	BAND-RING	-,HSWR,-,-,-,WHT,PI2.0/ID23	1	PC	SNA
20-3	DC67-00298A	HOSE-AIR	HEBA PJT,EPDM,-,-,T2.5,-,BLK,-	1	PC	SA
21	DC97-14874B	ASSY HOSE DRAWER	HEBA,WF8802DPF,HOSE-DRAWER+BAND-RING	1	PC	SA
21-1	DC61-00219G	CLAMPER HOSE	HEBA BIGBANG,SK5,ID37/OD39/H10/T1.0	1	PC	SNA
21-2	DC67-00422A	HOSE-DRAWER TUB	HEBA-PJT,EPDM,ID42.5,OD46.5,T2.0,BLK	1	PC	SA
21-3	DC72-00001G	BAND-RING	HEBA-PJT,HSWR,PI3.0,W21.5,ID49.5,WHT,HO SE-DRAWER + TUB-FRONT	1	PC	SNA
22	DC97-16462A	ASSY SEMI TUB BACK	WF8804DPA1/XEO,8.0KG,PP GF30%,(220/50HZ)/ PUMP,220V~50Hz	1	PC	SA
22-1	DC62-00008A	SEAL-OIL	-,NBR(SD35),BLK,-,-,-,NBU(PI15)	1	PC	SNA
22-2	DC69-01154A	PACKING-TUB	WF8804DP,EPDM,EPDM,T5.0,-,L1650,- ,BLK,20g,-,-,-,-	1	PC	SNA
22-3	DC61-01934C	TUB-BACK	Heba,FRPP,ID521.8,OD526.4,NTR,1400RPM	1	PC	SNA
23	DC60-40144A	BOLT-HEX	SM10C,L41,ZPC2(YEL),M10,ZPC2(YEL),DAMP ER	2	PC	SA
24	DC67-00296A	WEIGHT-BALANCER(U)	HEBA-PJT,CONCRETE,- ,W157.8,L162.6,NTR,5KG/UPPER	1	PC	SA
25	DC63-00889C	COVER-HEATER	SEW-100 JL,PVC,T2.0,-,-	1	PC	SNA
26	DC66-00530A	PULLEY	HEBA-PJT,ALDC12,-,-,-,OD296.8,-,6-WING	1	PC	SNA
27	6011-003934	ASSY BOLT	M7.6,L48,ZPC(WHT),SCM 435,WASHER	6	PC	SNA

5-4. ASS'Y FRAME FRONT



Exploded views and Parts list _ 45

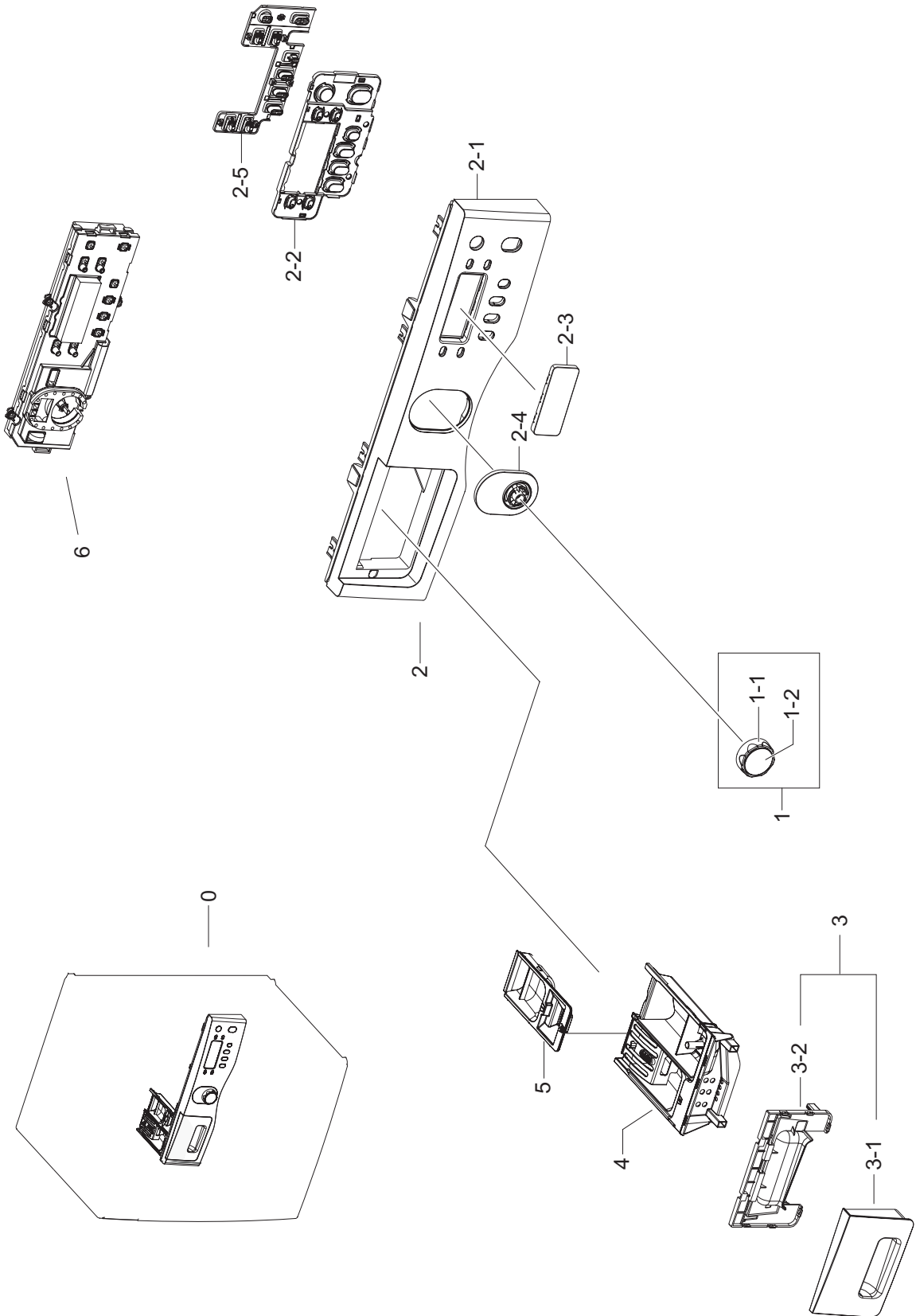
MODEL CODE: WF1804WPC/XEU

Service Bom (SA: SERVICE AVAILABLE, SNA: SERVICE NOT AVAILABLE)

Drawing No.	Code No.	Description	Specification	QTY	Un	SA/SNA
0		FRAME FRONT & DOOR				
1	6002-000471	SCREW-TAPPING	TH,+,-,1,M4,L12,PASS,STS304,-	2	PC	SNA
2	DC61-01917A	GUIDE-FILTER	WF8804DP,PP,T2.5,W300,L200,WHT,-	1	PC	SNA
3	DC61-01919A	BRACKET-HINGE	WF8804DP,GI,T1.4,W30,L150,-,TAP	1	PC	SNA
4	DC63-01287A	COVER-FILTER	WF8804DPA,ABS,WHITE	1	PC	SNA
5	DC63-00967A	COVER-DOOR SWITCH	AEGIS-PJT/ WF8500NHW,PP,T1,W24.8,L8 8,5VAGRADE,NTR,ZV-446	1	PC	SA
6	DC64-01538A	DOOR-LOCK S/W	ZV-446L5,PA66,T19.5,-,W95.3,- ,BLK,250V/16A	1	PC	SA
7	DC97-15005E	ASSY DOOR	VISTULA,WF1804WPC/ XEU,ABS,T2.5,OD480,CR	1	PC	SNA
7-1	6002-000444	SCREW-TAPPING	TH,+,-,2,M4,L14,PASS,STS430	12	PC	SNA
7-2	DC64-01521A	DOOR-GLASS	WF8804DP,NON- HeatTreatmentGLASS,T5.0,H100.5,-, ,NAT,BOROSILICATE	1	PC	SA
7-3	DC63-00856C	COVER-DOOR	WF1804WPC/XEU,ABS,T2.5,OD480,L480, CR,VISTULA	1	PC	SA
7-4	DC97-15375C	ASSY HOLDER GLASS	HEBA-PJT,WF8804DPA/XEO,SILVER	1	PC	SA
7-4-1	DC64-00564A	HANDLE-PIN	Q1636GW/XEU,STS,-,-,-,-,TS-2 PJT	1	PC	SA
7-4-2	DC61-01909A	HOLDER GLASS	WF8804DP,PP,T3.0,W480,L480,GRY,MT43 HG RESIN	1	PC	SNA
7-4-3	DC61-02027A	SPRING ETC-LEVER	-,STS304,-,-,OD1.1,L15,6TURNS,T1.1,-,-,-	1	PC	SNA
7-4-4	DC63-00853A	COVER HANDLE	WF8804DP,ABS,T2.5,W60,L125,-,-,GRY,-	1	PC	SNA
7-4-5	DC64-01524A	HANDLE DOOR	WF8804DP,ABS,T2.5,W25,L125,-,-,GRY,-	1	PC	SA
7-4-6	DC66-00497A	LEVER-DOOR	WF8804DP,ZNDC,T10,W10,L35,-,-,NI	1	PC	SA
7-4-7	6002-000445	SCREW-TAPPING	TH,+,-,2,M4,L18,PASS,STS304	4	PC	SNA
7-4-8	DC61-00891A	GUIDE-HINGE	HAUZEN(DOM),POM,-,-,-,WHT,HINGE	4	PC	SA
7-4-9	DC61-01910A	HINGE-DOOR	WF8804DP,ALDC,T5.0,W30,L150,-,-,Ni	1	PC	SA
7-4-10	DC61-01915B	BRACKET-HOLDER	WF8804DP,GI,T1.2,W45,L160,-,-	1	PC	SNA
8	DC97-16454A	ASSY FRAME FRONT	HEBA-PJT,WF8804DPA/XEO,WHITE	1	PC	SA
8-1	DC60-00018A	RIVET-PLATE	-,MSWR,D3.9,-,-,L30,WHT,-,-	4	PC	SNA
8-2	DC61-02919A	FRAME-FRONT	WF8804HPA,EGI-SECC,T0.8	1	PC	SNA
8-3	DC61-01981A	BRACKET-FRAME	WF8804DP,GI,T0.8,W20,L310,-,-	1	PC	SNA
9	DC91-12078D	ASSY WIRE DIAPHRAGM	HEBA-PJT,-,-,-,-,-	1	PC	SNA

46 _ Exploded views and Parts list

5-5. PANEL-CONTROL & DRAWER



Exploded views and Parts list _ 47

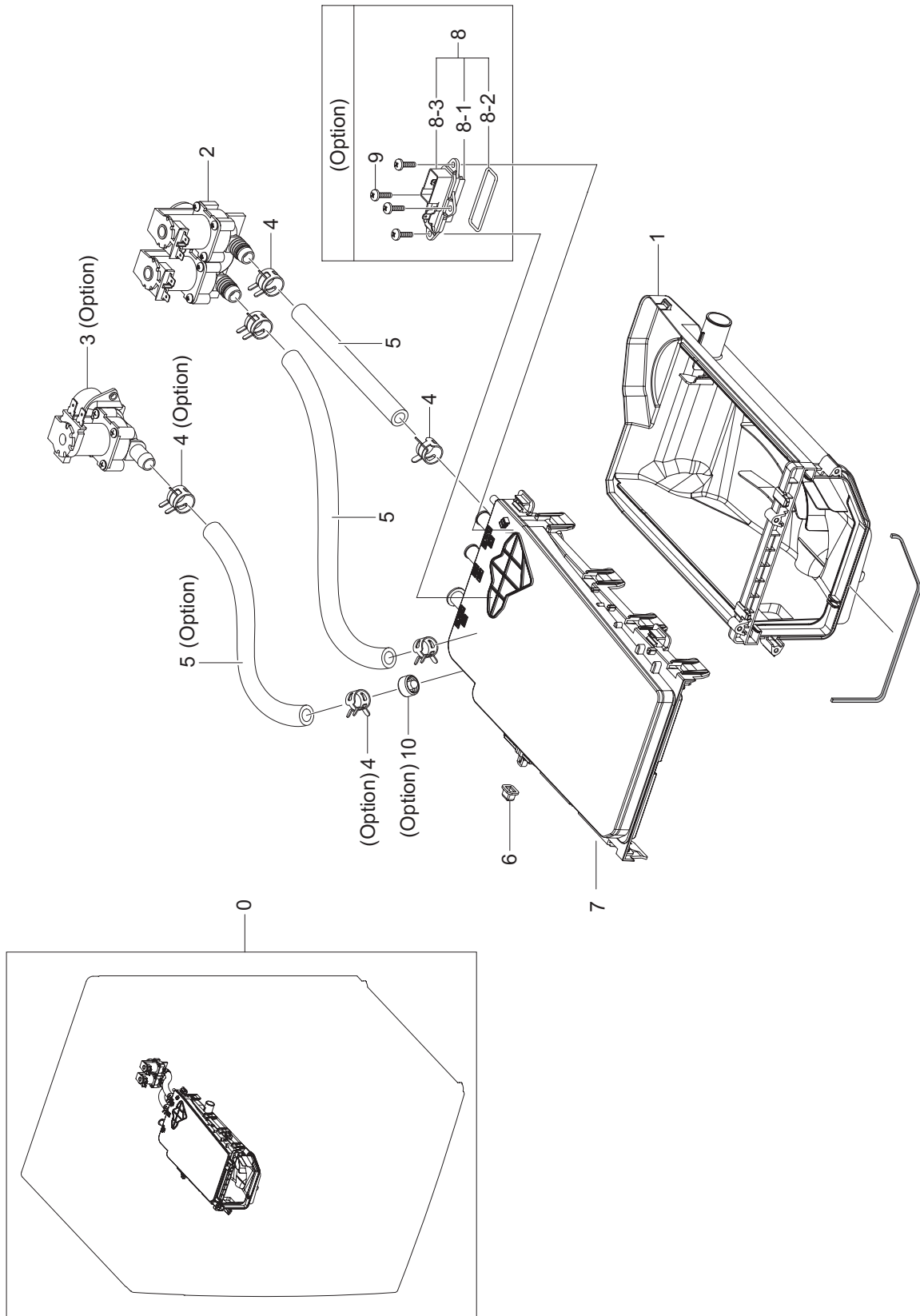
MODEL CODE: WF1804WPU/XEU

Service Bom (SA: SERVICE AVAILABLE, SNA: SERVICE NOT AVAILABLE)

Drawing No.	Code No.	Description	Specification	QTY	Un	SA/SNA
0		PANEL-CONTROL & DRAWER	Refer to 5.4 Control & Drawer	1		
1	DC97-15723B	ASSY KNOB ENCODER	GRIFFIN-PJT,WF9904RWE,SILVER+BLACK,PC+ABS+CR	1	PC	SA
1-1	DC64-01927A	KNOB-ENCODER	WF9904RWE/XEU,ABS,T2.5,W49.8,L38.7,BLACK,GRIFFIN-PJT	1	PC	SNA
1-2	DC64-01931A	DECORATION-ENCODER	WF9904RWE/XEU,ABS,T2.2,W50.8,L14.7,DAWHITE,GRIFFIN-PJT	1	PC	SNA
2	DC97-16590J	ASSY PANEL CONTROL	HEBA,WF1804WPC/XEU,8.0kg/1400,DA-WHT,ENGLISH,NO Ag+	1	PC	SA
2-1	DC64-01528A	PANEL-CONTROL	HEBA-PJT,ABS,T2.5,-,-,-,WHT,HIGH	1	PC	SNA
2-2	DC64-01529A	BUTTON-PUSH(F)	HEBA-PJT,ABS,-,-,-,WHT,SILK-PRINTING	1	PC	SNA
2-3	DC64-01531A	WINDOW-PANEL	HEBA-PJT,ABS,T2.0,-,-,-,BLK,HIGH	1	PC	SNA
2-4	DC64-01533A	WINDOW-ENCODER	HEBA,ABS,T2.0,-,-,-,BLK,HIGH/MID	1	PC	SNA
2-5	DC64-01535A	BUTTON-RUBBER	HEBA-PJT,SILICONE,-,-,-,NTR,HARDNESS50	1	PC	SNA
3	DC97-16500C	ASSY PANEL DRAWER	VISTULA,WF1702WPC/XEU,7.0kg/1200rpm,DA-WHITE,ENGLISH,NO AG+	1	PC	SA
3-1	DC64-01526A	PANEL-DRAWER	HEBA-PJT,ABS,T2.5,W183.8,L115.2,-,WHT,-	1	PC	SNA
3-2	DC64-01527A	HANDLE-DRAWER	HEBA-PJT,ABS,T2.0,-,-,-,WHT,-	1	PC	SNA
4	DC61-03129A	BODY-DRAWER	WF1802XEC/YLP,PP,T2.0,WHT,VOLGA-PJT	1	PC	SA
5	DC67-00452A	CAP-RINSE	WF0800NCE,PP,T2.0,W66.5,L219,SOAP BLUE,HEBA BIGBANG	1	PC	SNA
6	DC92-00651A	ASSY PCB MAIN	Vistula best PJT,WF1804WPC/XEU,8KG 1400RPM,230V/50HZ,bubble,Y,SMPS	1	PC	SA

MEMO

5-6. ASS'Y HOUSING DRAWER










50 _ Exploded views and Parts list

MODEL CODE: WF1804WPC/XEU

Service Bom (SA: SERVICE AVAILABLE, SNA: SERVICE NOT AVAILABLE)

Drawing No.	Code No.	Description	Specification	QTY	Un	SA/SNA
0	DC97-16005J	ASSY HOUSING DRAWER	VISTULA,WF1804WPC/XEU,COLD	1	PC	SNA
1	DC61-02434A	HOUSING-DRAWER(L)	HEBA-PJT,PP,T1.8,NTR	1	PC	SA
2	DC62-00024F	VALVE-WATER	B1215J,NYLON66/250TRMN,NTR,2-WAY(220~240V50/60Hz)ELBI/COLD	1	PC	SC
4	DC65-00008A	CLAMPER HOSE	SEW-DR605,SK5,-,-,YEL,ID14.2/T0.9	4	PC	SNA
5	DC67-00051B	HOSE-DRAWER	Q1636GW/XEU,EPDM,ID9.0,OD14.5,-,-,BLK,-	0.21	M	SA
6	DC67-00327A	CAP-DRAWER HOOK	HEBA-PJT,EPDM,T1.1,W13.9/L10.8,H9.2,BLK,-	1	PC	SNA
7	DC97-16006A	ASSY S.HOUSING DRAWER	HEBA BIGBANG,WF0800NCE,PP	1	PC	SA
8	DC97-13059B	ASSY GUIDE WATER	HEBA,WF8802DPF,SILVER,-	1	PC	SA
8-1	DC61-01140B	PLATE-SILVER	XQB55-T86A,SILVER,T0.8,W10,L40,-,-	2	PC	SNA
8-2	DC62-00237A	SEAL-CAP GUIDE	AG+,SILICON,NTR,T2.0,W17,L52.6,-	1	PC	SNA
8-3	DC67-00257A	CAP-GUIDE WATER	ABS,W75.0,L39,WHITE,AG+	1	PC	SNA
9	6002-000234	SCREW-TAPPING	TH,+,-,2S,M4,L16,ZPC(WHT),SWRCH18A,-	4	PC	SNA

5-8. SMALL PARTS

						
1	2	3	4	5	6	7

MODEL CODE: WF1804WPC/XEF

Service Bom (SA: SERVICE AVAILABLE, SNA: SERVICE NOT AVAILABLE)

Drawing No.	Code No.	Description	Specification	Inst point	QTY	Un	SA/SNA
1	DC61-00995C	HOLDER-WIRE	HEBA-PJT, NYLON, ID26, W6, L145, NTR, HEBA-PJT	BKT-L(R)+H-DRAIN(O)	1	PC	SA
2	DC61-40081A	HOLDER-WIRE	DAWH- 2NC, NYLON, NTR(PI18.5)	PLATE(L)+HOSE	1	PC	SA
2	DC61-40081A	HOLDER-WIRE	DAWH- 2NC, NYLON, NTR(PI18.5)	WIRE(MAIN)+FRAME	3	PC	SA
2	DC61-40081A	HOLDER-WIRE	DAWH- 2NC, NYLON, NTR(PI18.5)	BKT-SPRING(R)	4	PC	SA
2	DC61-40081A	HOLDER-WIRE	DAWH- 2NC, NYLON, NTR(PI18.5)	BKT-L(R)+MAIN(WIRE)	1	PC	SA
2	DC61-40081A	HOLDER-WIRE	DAWH- 2NC, NYLON, NTR(PI18.5)	PLATE(L)+PUMP WIRE	1	PC	SA
3	DC61-40083A	HOLDER-WIRE	DAWH- 3ND, NYLON, NTR(PI25)/ NYLON66	FRAME+HOSE(O)	1	PC	SNA
3	DC61-40083A	HOLDER-WIRE	DAWH- 3ND, NYLON, NTR(PI25)/ NYLON66	WIRE(MAIN)+FRAME	1	PC	SNA
3	DC61-40083A	HOLDER-WIRE	DAWH- 3ND, NYLON, NTR(PI25)/ NYLON66	ASSY FRAME PLATE(U)	1	PC	SNA
4	DC61-00133A	CLAMPER HOSE-FIX	P1291, PP, ID24.5, OD29.5, HO SE+PLUG, BJ-730	FRM+H-DRAIN+P-CODE	1	PC	SNA
5	6502-000127	CABLE CLAMP	DAWH-18NB, ID15, - , NYLON66, NTR	ASSY FRAME PLATE(U)	2	PC	SNA
6	DC61-00118A	CLAMPER HOSE-FIX	P1291, NYLON66, ID27, OD30	H-DRAIN(O)+FRAME	1	PC	SNA
7	DE65-20026A	HOLDER-WIRE	PA, NTR, LOCK-TWIST/ STAND/Y260STC/SSEC/ NYLON66	FRAME(BACK->TOP)	3	PC	SNA

5-9. PARTS LIST (SA/SC OTHER)

MODEL CODE: WF1804WPC/XEU

Service Bom (SA: SERVICE AVAILABLE, SNA: SERVICE NOT AVAILABLE)

Code No.	Description	Specification	Install. Point	QTY	Un	SA/ SNA
0103-002707	POLYURETHANE	UEP 700FA/CPU-55A,V0,PUR	URETHANE-A	0.1	KG	SNA
2401-003505	C-AL	1000uF,20%,25V,WT,TP,10*20,5mm	CE4	1	PC	SNA
3404-001354	SWITCH-TACT	12VDC,50mA,200gf,8x13mm,SPST	SW1	1	PC	SNA
3404-001354	SWITCH-TACT	12VDC,50mA,200gf,8x13mm,SPST	SW10	1	PC	SNA
3404-001354	SWITCH-TACT	12VDC,50mA,200gf,8x13mm,SPST	SW2	1	PC	SNA
3404-001354	SWITCH-TACT	12VDC,50mA,200gf,8x13mm,SPST	SW3	1	PC	SNA
3404-001354	SWITCH-TACT	12VDC,50mA,200gf,8x13mm,SPST	SW14	1	PC	SNA
3404-001354	SWITCH-TACT	12VDC,50mA,200gf,8x13mm,SPST	SW13	1	PC	SNA
3404-001354	SWITCH-TACT	12VDC,50mA,200gf,8x13mm,SPST	SW6	1	PC	SNA
3404-001354	SWITCH-TACT	12VDC,50mA,200gf,8x13mm,SPST	SW7	1	PC	SNA
3404-001354	SWITCH-TACT	12VDC,50mA,200gf,8x13mm,SPST	SW8	1	PC	SNA
3404-001354	SWITCH-TACT	12VDC,50mA,200gf,8x13mm,SPST	SW9	1	PC	SNA
3501-001154	RELAY-MINIATURE	12V,200mW,3000mA,1FormA,10ms,10ms	RY9	1	PC	SNA
6002-000520	SCREW-TAPPING	TH,+,-,2,M4,L12,ZPC(WHT),SWRCH18A,-	PANEL-CONTROL+PCB	4	PC	SNA
6002-000520	SCREW-TAPPING	TH,+,-,2,M4,L12,ZPC(WHT),SWRCH18A,-	CLAMP-HOSE+FRAME	1	PC	SNA
6002-000445	SCREW-TAPPING	TH,+2,M4,L18,PASS,STS304	C/PANEL+H/DRAWER	2	PC	SNA
6002-000471	SCREW-TAPPING	TH,+,-,1,M4,L12,PASS,STS304,-	BKT-HEATER+T-FRONT	2	PC	SNA
6006-001174	SCREW-TAPPING	TH,+WE,2S,M4,L12,ZPC(WHT),SWRCH18A	P-CONTROL+F-PLATE(U)	3	PC	SNA
6002-001327	SCREW-TAPPING	PWH,+1,M4,L12,ZPC(WHT),SWRCH18A	PLATE-BOTTOM+FRAME	4	PC	SNA
6001-000592	SCREW-MACHINE	TH,+,-,M4,L8,ZPC(WHT),SWRCH18A,UP,-	W/V(C)+FRAME	2	PC	SNA
6003-001768	SCREW-TAPTYPE	RH,+,-,2S,M3,L10,ZPC(WHT),SWRCH18A,-	SCREW	2	PC	SNA
DC97-15858A	ASSY SCREW	trumph-PJT,WF-F1061/YLP,SWRCH18A+EPOXY,wite	F-PLATE(U)+T/COVER	2	PC	SNA
6009-001343	SCREW-SPECIAL	PH,TORX,M4,L10,ZPC(WHT),SWRCH18A,1,2BODY	P-CODE+FRAME	1	PC	SNA
6002-001438	SCREW-TAPPING	HWH,+1,M5,L12,ZPC(WHT),SWRCH18A,SEPERATOR	TOP-COVER+FRAME	2	PC	SNA
6009-001522	SCREW-HEX	HEX,+,-,M5,L16,PASS,STS430,FP,NYLOCK	HINGE+FRAME-FRONT	2	PC	SNA
DC97-14006C	ASSY SCREW	GRIFFIN-PJT,WF9904RWE,SWRCH18A,M4*L16	BKT-LOWER+CASE PUMP	1	PC	SNA
6011-003934	BOLT-HEX	M7.6,L48,ZPC(WHT),SCM 435,WASHER	WEIGHT-BALANCE(U)	3	PC	SNA

Exploded views and Parts list _ 53

5-10.PARTS LIST (SCREW TYPE)

MODEL CODE: WF1804WPC/XEU

Service Bom (SA: SERVICE AVAILABLE, SNA: SERVICE NOT AVAILABLE)

Code No.	Description	Specification	QTY	Un	SA/ SNA
6002-000520	SCREW-TAPPING	TH,+,-,2,M4,L12,ZPC(WHT),SWRCH18A,-	11	PC	SNA
6002-001377	SCREW-TAPPING	TH,+,-,WS,-,M4,L10,ZPC3 (WHT),SWCH18AK,-	3	PC	SNA
6006-001174	SCREW-TAPPING	TH,+,-,WE,2S,M4,L12,ZPC(WHT),SWRCH18A	13	PC	SNA
6002-001327	SCREW-TAPPING	PWH,+,-,1,M4,L12,ZPC(WHT),SWRCH18A	5	PC	SNA
DE60-10080A	SCREW-TAPPING	PWH,+,-,2S,M5,L9,-,SWRCH18A,-	2	PC	SNA
6002-000471	SCREW-TAPPING	TH,+,-,1,M4,L12,PASS,STS304,-	4	PC	SNA
6009-001522	SCREW-HEX	HEX,+,-,M5,L16,PASS,STS430,FP,NYLOCK	2	PC	SNA
6003-000333	SCREW-TAPTYPE	RH,+,-,2S,M3,L10,ZPC(WHT),SWRCH18A,-	2	PC	SNA
6002-000444	SCREW-TAPPING	TH,+,-,2,M4,L14,PASS,STS430	14	PC	SNA
6002-000445	SCREW-TAPPING	TH,+,-,2,M4,L18,PASS,STS304	6	PC	SNA
6001-000592	SCREW-MACHINE	TH,+,-,M4,L8,ZPC(WHT),SWRCH18A,UP,-	2	PC	SNA
6002-001313	SCREW-HEX	HWH,+,-,M6.5,L25,ZPC(WHT),SWRCH18A,2,SERATION	3	PC	SNA
6002-001438	SCREW-TAPPING	HWH,+,-,1,M5,L12,ZPC(WHT),SWRCH18A,SEPERATOR	2	PC	SNA
6009-001343	SCREW-SPECIAL	PH,TORX,M4,L10,ZPC(WHT),SWRCH18A,1,2BODY	1	PC	SNA
DC60-40144A	BOLT-HEX	SM10C,L41,ZPC2(YEL),M10,ZPC2(YEL),DAMPER	2	PC	SA
6002-001436	SCREW-TAPPING	PH,+,-,2,M4,L18,ZPC(WHT),SWRCH18A	3	PC	SNA
DC97-14006C	ASSY SCREW	GRIFFIN-PJT,WF9904RWE,SWRCH18A,M4*L16	1	PC	SNA
6011-001675	BOLT-ETC	M4,L32,WHT,MSWR10A, Spring Washer	2	PC	SNA
DC60-40142B	BOLT-HEX	SEW-3HR105,SM10C,HEX,L114.5,-,M7,ZPC2(YEL),-,FIXER	1	PC	SNA
6002-000234	SCREW-TAPPING	TH,+,-,NO,2S,M4,L16,ZPC(WHT),SWRCH18A	4	PC	SNA
DC97-15858A	ASSY SCREW	trumph-PJT,WF-F1061/YLP,SWRCH18A+EPOXY,wite	2	PC	SNA
6011-003934	BOLT-HEX	M7.6,L48,ZPC(WHT),SCM 435,WASHER	9	PC	SNA
6009-001367	SCREW-HEX	HWH,+,-,M6.5,L32,ZPC(WHT),SWRCH18A,2,-	15	PC	SNA
6002-001006	SCREW-TAPPING	TH,+,-,2S,M4,L12,PASS,STS430,-	3	PC	SNA
DC60-40137A	BOLT-HEX	MARS-PJT,STS430,M8,-,P1.25,L30,-,HEX/KNURING	3	PC	SA
DC97-14263A	ASSY BOLT	HEBA-PJT,MOTOR/BOLT(M8)+WASHER(OD28.6),-,-,-	4	PC	SA
DC97-06080A	ASSY BOLT	SEW-3HR107,BOLT+WASHER,-,-,-	1	PC	SNA

MEMO
