
1. EXPLODED VIEWS AND PARTS LIST



[MATERIAL CODE STANDARDS]

Material codes and names and their respective naming rules are managed in accordance with the prescribed standards. Please refer to these standards when requesting a material.

1. Material Code Type

● : Number

■ : Letter (Alphabet)

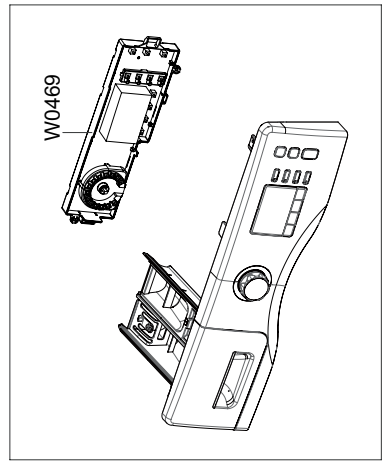
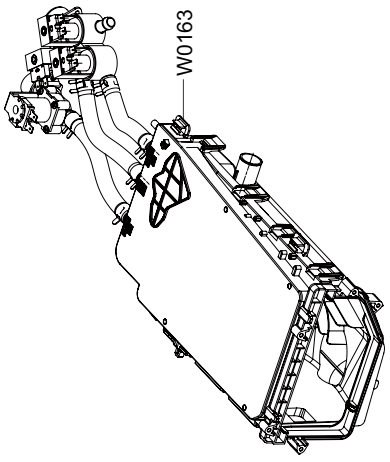
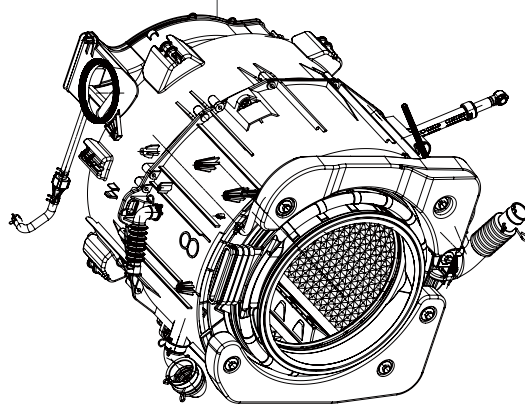
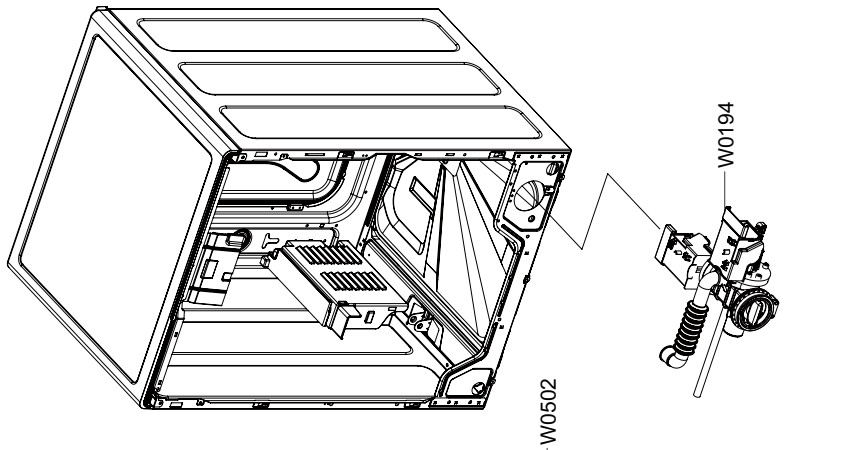
Type 1	 ex) 0204-000418 FREON	Enterprise-wide parts Type 1 materials can be used for all Samsung Electronics products. (Most electrical parts belong to this type.)
Type 2	 ex) DC96-01390A ASSY-CONTROL	Division-wide parts (DC**-Washing machine) Type 2 materials can be used for specific products. (Most instruments and tools belong to this type.)

2. Ass'y Materials

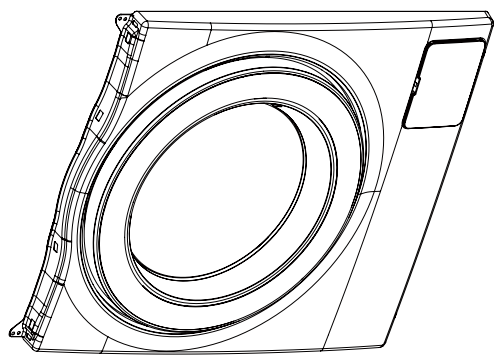
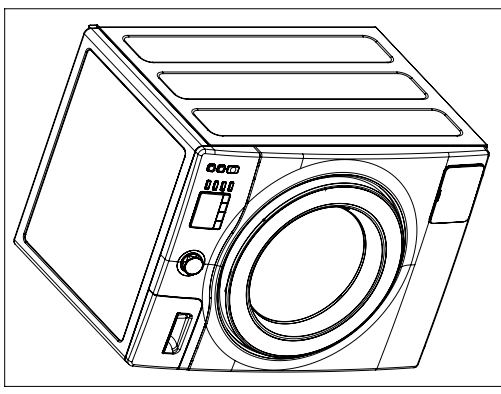
All ass'y material codes start with DC9*.

An ass'y material is created by combining more than two materials. If a requested material cannot be provided, you can request an ass'y material that contains that material.

1. MAIN



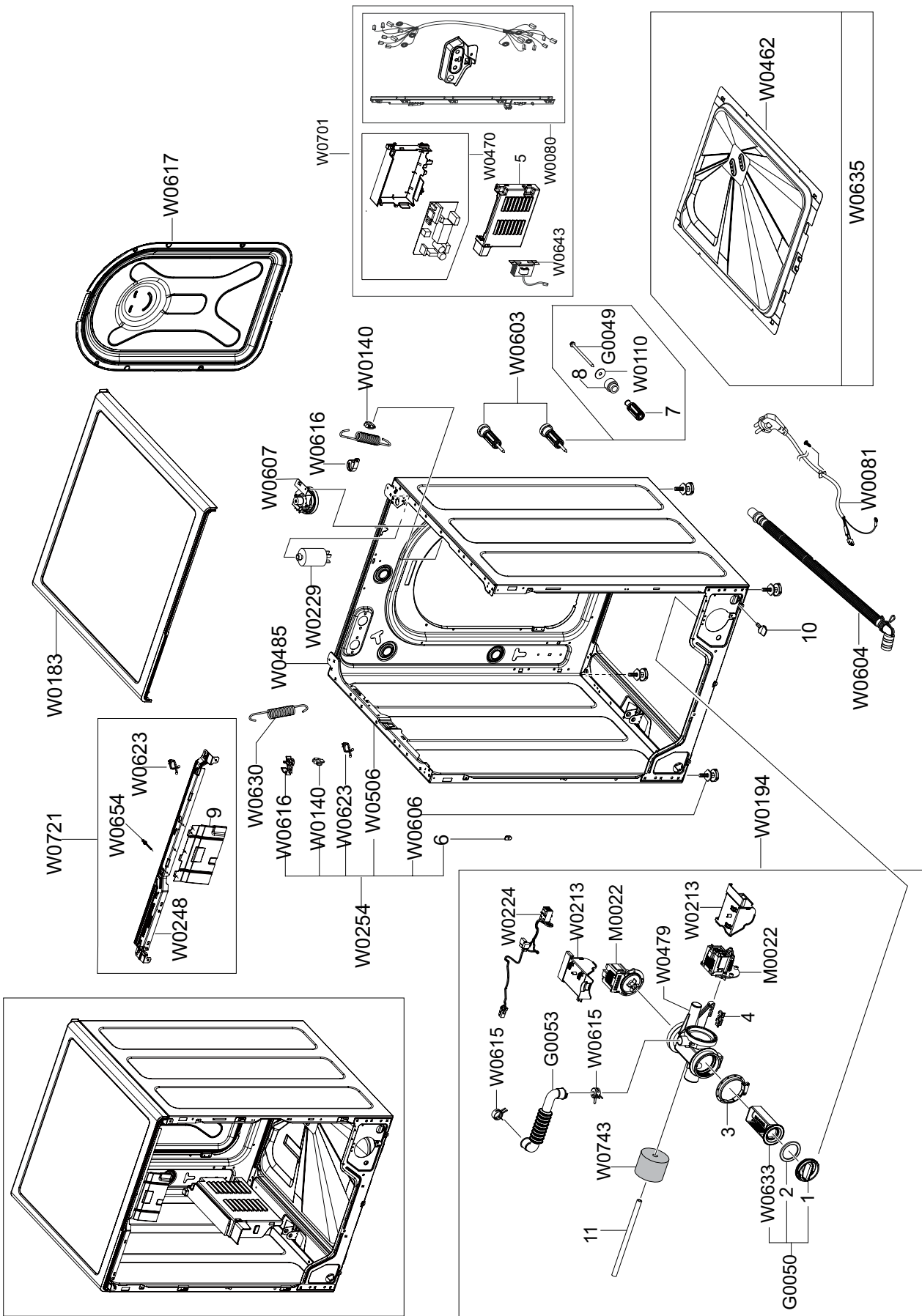
	W0626
	W0757
	W0614
	1
	W0614



MODEL CODE: WD806U4SAWQ/EFService Bom (**SA**: SERVICE AVAILABLE, **SNA**: SERVICE NOT AVAILABLE)

Drawing No.	Code No.	Description	Specification	QTY	Un	SA/SNA
W0626	DC62-10278A	HOSE-HANGER	PUMP MODEL,PP,BLACK	1	PC	SA
W0757	DC97-16921A	ASSY HOSE WATER	HEBA,WF8804,REFLEX,BLUE/	1	PC	SA
W0614	DC67-00208B	CAP-FIXER	WF8602NHS/XFA,PP,T1.5,FH44N,BL	1	PC	SA
W0614	DC67-00307A	CAP-FIXER	WF438AAC/XAA,PP,T1.5,BLK,RM60	4	PC	SA
W0469	DC92-00942B	ASSY PCB SUB	SEINE COMBO,WD806U4SAWQ/ST,	1	PC	SA
W0194	DC97-15696J	ASSY PUMP DRAIN	HEBA DD,BUBBLE,(220~240V	1	PC	SNA
W0163	DC97-16005E	ASSY HOUSING DRAWER	SCOUT,WD0804W8E,Comb	1	PC	SA
W0502	DC90-14136A	ASSY TUB&DRUM	WD806U4SAWQ/EF	1	PC	SNA
1	DC60-00104A	FASTENER-BOLT	ALL,CR,OD36,2.5,L113.5	1	PC	SA

2. FRAME & COVER PARTS



MODEL CODE: WD806U4SAWQ/EF

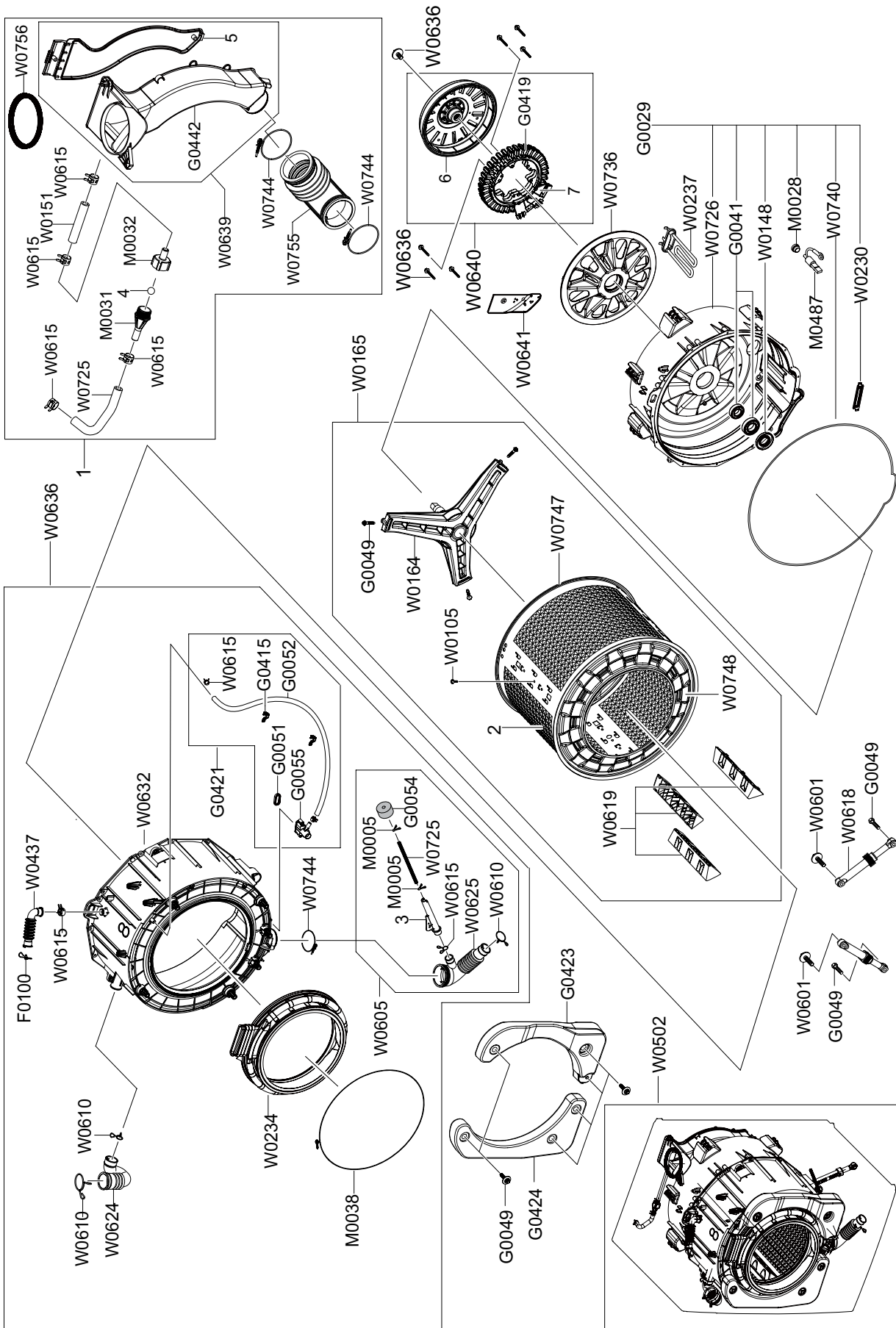
Service Bom (SA: SERVICE AVAILABLE, SNA: SERVICE NOT AVAILABLE)

Drawing No.	Code No.	Description	Specification	QTY	Un	SA/SNA
W0229	DC29-00015E	FILTER-EMI	MINERVA-PJT,250VAC,15,D53*H71	1	PC	SA
W0616	DC61-00118A	CLAMPER HOSE-FIX	P1291,PA66,ID27,OD30	1	PC	SA
W0630	DC61-02029B	SPRING ETC-HANGER	HEBA 7kg,HSWR-SWRH,CD3	2	PC	SA
W0643	DC26-00009D	TRANS-REACTORV	SEW-3HR105,220V-240V,3A,2	1	PC	SA
W0470	DC92-00941E	ASSY PCB MAIN	SEINE COMBO,WD806U4SAWQ/ST	1	PC	SA
W0080	DC93-00127G	ASSY M.GUIDE WIRE HARNESS	P-FrontWM-55,S	1	PC	SA
W0081	DC96-00146A	ASSY POWER CORD	VDE,UCP2,250V16A,H05VV-F	1	PC	SA
W0607	DC96-01703B	ASSY SENSOR PRESSURE	PURPLE PJT,PURPLE P	1	PC	SA
W0603	DC97-14794C	ASSY FIXER TUB	SCOUT,WF0704L7W/XEF	4	PC	SA
G0049	6011-001669	BOLT-HEX	M7,L160,ZPC2,SCM435,TAPPING	4	PC	SNA
W0110	DC60-60044B	WASHER-PLAIN	SBC,ID8.4/OD30,T2.0	4	PC	SA
W0194	DC97-15696J	ASSY PUMP DRAIN	HEBA DD,BUBBLE,(220~240V	1	PC	SNA
M0022	DC31-30008D	PUMP-DRAIN	SW-70XP,220/240V,50Hz,SYNCHRO	2	PC	SA
W0615	DC61-00158A	CLAMPER HOSE	SW65ASP,SK5,ID23,T0.8,-	2	PC	SNA
W0479	DC61-02271B	CASE-PUMP	WF0804Y8E/XEF,PP,T2.5,W153.6,L	1	PC	SNA
W0743	DC63-10003C	SPONGE-HOSE AIR	SWF-P12,PU-FOAM,GRY	1	PC	SNA
G0053	DC67-00461A	HOSE-AIR TUB	SCOUT- PJT,EPDM,T1.5,BLK	1	PC	SNA
W0224	DC93-00016C	ASSY WIRE HARNESS-PUMP	GRIFFIN,CIRCULTIO	1	PC	SNA
G0050	DC97-15695A	ASSY FILTER	GRIFFIN-PJT,WF9804RWE,PP+EPD	1	PC	SA
W0633	DC63-00998A	FILTER-PUMP	SCOUT-PJT,PP,-,W52.8,L93.1,-	1	PC	SA
W0213	DC63-01410A	COVER-PUMP	COVER-PUMP,PP,T1.3,W50,L77,V0	2	PC	SNA
W0183	DC97-16082C	ASSY COVER TOP	SEINE_COMBO,WD806U4SAWQ,8	1	PC	SA
W0617	DC63-00862C	COVER-BACK	WF8600NMW,GL,T0.35,NATURAL	1	PC	SA
W0604	DC97-02250Z	ASSY HOSE DRAIN(O)	HEBA-PJT,GRY	1	PC	SA
W0254	DC97-17089H	ASSY PAINT FRAME	SEINE COMBO,WD806U4SAWQ	1	PC	SA
W0616	DC61-00133A	CLAMPER HOSE-FIX	P1291,PP,-,HOSE+PLUG,BJ	1	PC	SA
W0623	DC61-00995C	HOLDER-WIRE	HEBA-PJT,PA,ID26,W6,L145,NYL	1	PC	SA
W0140	DC61-02065A	GUIDE-SPRING	WF448AAG/XXA,POM,T4,W24,L36	2	PC	SA
W0623	DC61-40081A	HOLDER-WIRE	DAWH-2NC,PA,-,NATURAL,-	9	PC	SA
W0623	DC61-40083A	HOLDER-WIRE	DAWH-3ND,NYLON66,NTR(PI24.4)	5	PC	SNA
W0606	DC97-00920H	ASSY LEG	-,ALL EXCEPT AUSTRALI MODEL,L33	4	PC	SA
W0635	DC97-16443C	ASSY COVER BOTTOM	VISTULA 6A MODEL,WF180	1	PC	SA
W0462	DC63-01280A	COVER-BOTTOM	HEBA-SSEC,GI-SGCC,T0.5,W422	1	PC	SNA
W0506	DC97-17204D	ASSY FRAME	SEINE COMBO PJT,WD806U4SAWQ/S	1	PC	SNA
W0485	DC61-02913B	BRACKET-SPRING(L)	SEINE-SSEC,GI-SGCC,T1.	1	PC	SA
W0721	DC97-17256A	ASSY FRAME PLATE(U)	SEINE-COMBO,WD906U4S	1	PC	SA

MODEL CODE: WD806U4SAWQ/EFService Bom (**SA**: SERVICE AVAILABLE, **SNA**: SERVICE NOT AVAILABLE)

Drawing No.	Code No.	Description	Specification	QTY	Un	SA/SNA
W0654	DC60-00018A	RIVET-PLATE	MSWR-SWRH,D4,L43,WHT	3	PC	SNA
W0248	DC61-03429A	FRAME-PLATE(U)	WF906U4SAGD/SP,GI-SGCC,NT	1	PC	SA
W0623	DC61-40081A	HOLDER-WIRE	DAWH-2NC,PA,-,NATURAL,-	1	PC	SA
W0701	DC92-01150B	ASSY PCB MAIN UNION	1400RPM,SEINE COMBO	1	PC	SNA
1	DC64-01317A	HANDLE-FILTER	PP,-,-	1	PC	SNA
2	DC73-00022A	SEAL-PACKING	SEW-HVR149ATA,EPDM,BLK,-	1	PC	SA
3	DC69-01128A	PACKING-PUMP	WF8804DP,IIR,BUTYL,T2.5,HEB	1	PC	SNA
4	DC63-00905A	CUSHION-PUMP	WF8802DPF/XET,NBR,-,W37.6,L	1	PC	SNA
5	DC63-01511A	COVER PCB	SEINE-combo,ABS,T2.5,W298,L152	1	PC	SNA
6	DC61-01901A	GUIDE-FRAME FRONT	ALL MODEL,POM,T5.5,W10	2	PC	SNA
7	DC61-02028B	FIXER-TUB	HEBA-PJT,FRPP,ID8.0/OD25.0,NTR	4	PC	SNA
8	DC73-00035A	FIXER-RUBBER	WF0804Y8E/XEF,EPDM,OD25/ID1	4	PC	SNA
9	DC61-03414A	BRACKET-DUCT SCROLL	WD106UHSAGD/AZ,GI-SG	1	PC	SNA
10	DC61-10673C	CAP DRAIN	WF1802XEY/XSC,FRPP,BLACK	1	PC	SA
11	DC67-00244M	HOSE DRAIN	AEGIS,EPDM,ID6,OD10,T2.0,L270	1	PC	SNA

3. ASS'Y TUB DRUM



MODEL CODE: WD806U4SAWQ/EFService Bom (**SA**: SERVICE AVAILABLE, **SNA**: SERVICE NOT AVAILABLE)

Drawing No.	Code No.	Description	Specification	QTY	Un	SA/SNA
G0049	DC60-40144A	BOLT-HEX	SM10C,L35,ZPC2(YEL),M10,ZPC2(YE	2	PC	SA
W0502	DC90-14136A	ASSY TUB&DRUM	WD806U4SAWQ/EF	1	PC	SNA
W0636	6011-001627	BOLT-ETC	M6,L56,MFZn,SCM435,P1.0/HEX/WSP	6	PC	SNA
W0636	6011-003728	BOLT-ETC	M12,L32,ZPC2,SWRCH10AK,WSP WASH	1	PC	SNA
G0049	6011-003934	BOLT-HEX	M7.6,L48,ZPC(WHT),SCM 435,WASHE	6	PC	SA
M0487	DC32-00010C	THERMISTOR	3243OHM AT 60□,-10~100,5,100	1	PC	SA
W0237	DC47-00033B	HEATER-WASH	HEBA,SUS316L,2000,8.69,230V,	1	PC	SA
W0618	DC66-00421B	DAMPER-SHOCK	HEBA-SSEC PJT,PP,L215,80N	2	PC	SA
M0031	DC62-00182A	NOZZLE-CONNECTOR(U)	POM,NATURAL,TS-2 PJT	1	PC	SNA
M0032	DC62-00183A	NOZZLE-CONNECTOR(L)	POM,NATURAL	1	PC	SNA
W0615	DC65-00008B	CLAMPER HOSE	SSEC-GE,SK5,ID14.2,ZPC2,T1.	4	PC	SNA
W0744	DC65-00021B	CLAMPER HOSE-JOINT	HEBA-PJT,HSWR-SWRH,ID	2	PC	SNA
W0151	DC67-00051B	HOSE-DRAWER	Q1636GW/XEU,EPDM,ID9.0,OD14.	0.09	M	SNA
W0725	DC67-00418A	HOSE-WATER	HEBA-COMBO,EPDM,ID9,OD14.5,T2	1	PC	SNA
W0755	DC67-00443A	HOSE-CONDENSER	AEGIS-COMBO,EPDM,ID59,OD7	1	PC	SNA
W0756	DC69-01332A	PACKING-CONDENSER	AEGIS-COMBO,EPDM,EPDM,	1	PC	SNA
W0639	DC93-00129C	ASSY S.DUCT CONDENSER	SEINE-COMBO,WD856U	1	PC	SA
G0442	DC67-00442B	DUCT-CONDENSER(F)	BAIKAL-COMBO MODEL,PP,	1	PC	SNA
W0640	DC96-01218E	ASSY DD BLDC MOTOR	DON800,25MM/AL WIRE/0	1	PC	SA
G0419	DC31-00074B	MOTOR BLDC-ASSY STATOR	DON800,0~1400,-,F	1	PC	SNA
W0601	DC97-14263A	ASSY BOLT	HEBA-PJT,MOTOR/BOLT(M8)+WASHER	2	PC	SA
G0423	DC97-15966A	ASSY WEIGHT BALANCER-(R)	SCOUT-PJT,WFO80	1	PC	SA
G0424	DC97-16008A	ASSY WEIGHT BALANCER-(L)	SCOUT-PJT,WFO80	1	PC	SA
W0165	DC97-17686A	ASSY DRUM	SSEC SEINE-COMBO 8KG,WD806U4SA	1	PC	SA
W0105	6002-001006	SCREW-TAPPING	TH,+,-,2S,M4,L12,PASS,STS4	3	PC	SNA
G0049	DC60-40137A	BOLT-HEX	MARS-PJT,STAINLESS-STS430,M8,P1	3	PC	SA
W0748	DC66-00489B	DRUM-FRONT	HEBA PJT(8kg),STAINLESS-STS43	1	PC	SNA
W0747	DC66-00492A	DRUM-BACK	HEBA PJT,STAINLESS-STS430,ID48	1	PC	SNA
W0619	DC66-00493A	DRUM-LIFTER	HEBA PJT,PP,TI42,GRAY,7/8KG	3	PC	SA

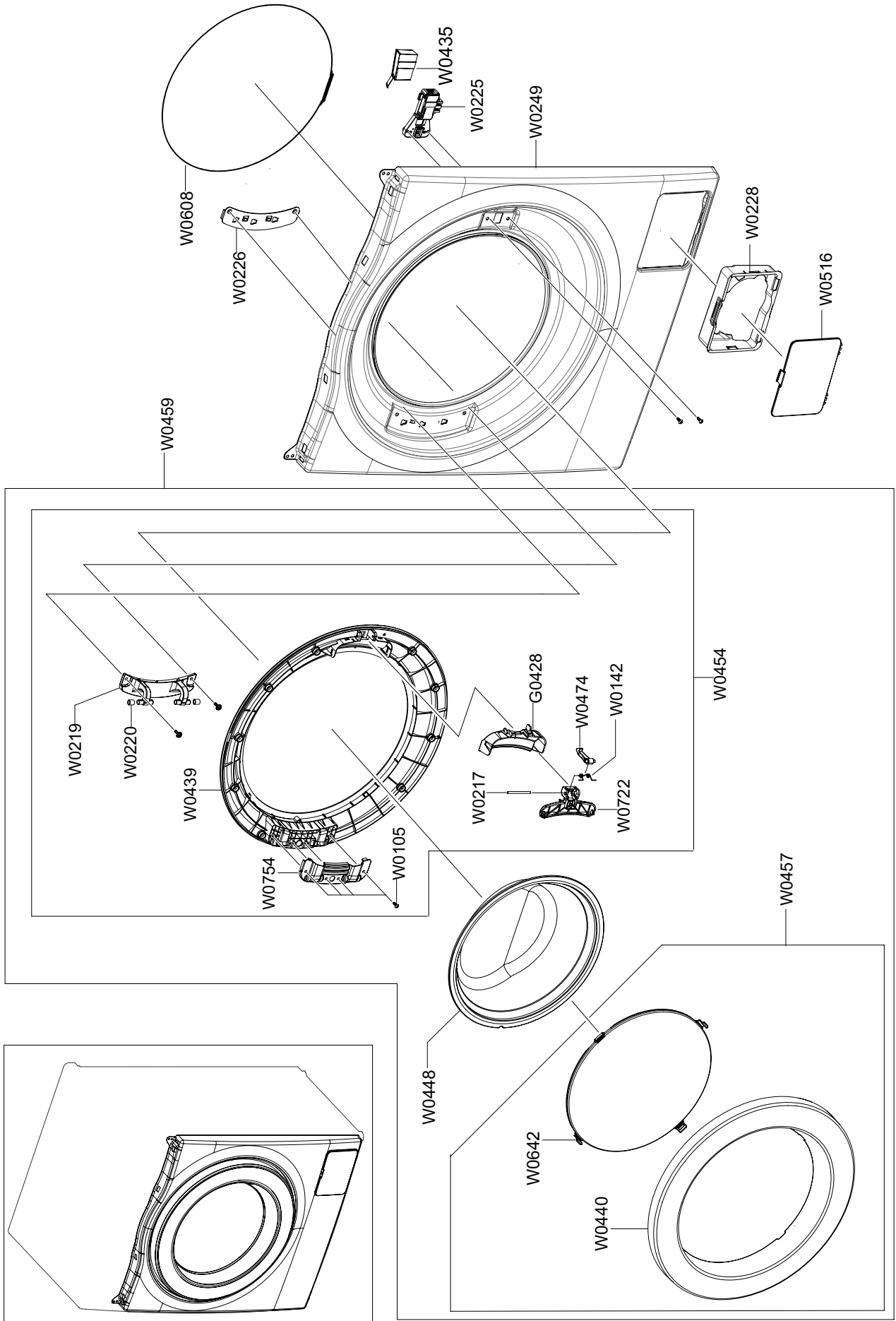
MODEL CODE: WD806U4SAWQ/EFService Bom (**SA**: SERVICE AVAILABLE, **SNA**: SERVICE NOT AVAILABLE)

Drawing No.	Code No.	Description	Specification	QTY	Un	SA/SNA
W0164	DC97-14370H	ASSY FLANGE SHAFT	SSEC HEBA DD,WD0804W8N	1	PC	SA
W0636	DC97-16460U	ASSY SEMI TUB FRONT	SEINE_COMBO,WD806U4S	1	PC	SA
W0632	DC61-01933C	TUB-FRONT	HEBA PJT,FRPP,ID528,OD575,NTR,	1	PC	SNA
W0234	DC64-01827A	DOOR-DIAPHRAGM	WD8704DJF,EPDM,T1.5,H83,W	1	PC	SNA
G0421	DC97-15993A	ASSY HOSE-CIRCULATION	SCOUT,WF0804Y8E,EP	1	PC	SA
G0415	DC61-02646A	GUIDE-HOSE	WF0804Y8E,PP,T2.0,W9.8,L36.6,	2	PC	SNA
G0051	DC62-00296A	SEAL-CONNECTOR	WF0804Y8E,EPDM,SCOUT-PJT	1	PC	SNA
G0055	DC67-00462A	HOSE-CONNECTOR	WF0804Y8E,PP,NTR,SCOUT-PJ	1	PC	SNA
G0052	DC67-00471A	HOSE-CIRCULATION	WF0804Y8E,EPDM,ID9.0,OD	1	PC	SNA
W0615	DC65-00008B	CLAMPER HOSE	SSEC-GE,SK5,ID14.2,ZPC2,T1.	2	PC	SNA
W0615	DC61-00158A	CLAMPER HOSE	SW65ASP,SK5,ID23,T0.8,-	1	PC	SNA
W0744	DC65-00021A	CLAMPER HOSE-JOINT	HEBA PJT,HSWR-SWRH,ID	1	PC	SNA
F0100	DC65-60118J	CLIP-RING	HSWR-SWRH,-,PI2.0/ID23	1	PC	SNA
W0610	DC65-60118R	CLIP-RING	AEGIS-PJT,HSWR-SWRH,T3.0,ID37,	1	PC	SA
W0437	DC67-00647A	HOSE-AIR	WF906U4SAWD,EPDM,ID19.6,T1.7,50	1	PC	SA
W0624	DC67-00674A	HOSE-DRAWER TUB	SEINE COMBO,EPDM,ID34.9,	1	PC	SNA
W0610	DC72-00001G	CLIP-RING	HEBA-PJT,HSWR-SWRH,T3.0,ID49.5	1	PC	SNA
M0038	DC91-12077G	ASSY CLAMP DIAPHRAGM	AEGIS,WF8500NHW/YLP	1	PC	SA
W0605	DC97-14637G	ASSY HOSE PRESSURE	SCOUT COMBO,WD0804W8N	1	PC	SA
W0615	DC61-00219B	CLAMPER HOSE	SK5,WLSL1100A,ID24 OD26.4	1	PC	SNA
M0005	DC61-70029C	SPRING-CLIP	SEW-HW125,HSWR,CD1.2,ID8.3,W	2	PC	SNA
G0054	DC63-10003H	ABSORBER SPONGE	SPONGE-HOSE AIR,EPDM,H35	1	PC	SNA
W0725	DC67-00230E	HOSE-WATER	WD8704,TPE,ID4.5,GRY	1	PC	SNA
W0625	DC67-00293A	HOSE-FILTER TUB	HEBA-PJT,EPDM,-,-,T2.5,-	1	PC	SA
W0610	DC72-00001H	CLIP-RING	HEBA-PJT,HSWR-SWRH,PI3.0,ID35,	1	PC	SNA
G0029	DC97-16462C	ASSY SEMI TUB BACK	Heba PJT,WD0804W8N1/Y	1	PC	SA
G0041	6601-000148	BEARING-BALL	6206ZZ,ID30,OD62,L16,STB2	1	PC	SNA
G0041	6601-000176	BEARING-BALL	6205ZZ,ID25,OD52,L15,STB2	1	PC	SNA
W0726	DC61-02220A	TUB-BACK	HEBA-COMBO 1400rpm,FRPP,NTR	1	PC	SNA
W0148	DC62-00008A	SEAL-OIL	NBR,BLACK,-,NBU	1	PC	SA

MODEL CODE: WD806U4SAWQ/EFService Bom (**SA**: SERVICE AVAILABLE, **SNA**: SERVICE NOT AVAILABLE)

Drawing No.	Code No.	Description	Specification	QTY	Un	SA/SNA
W0736	DC97-15516A	ASSY HOUSING BEARING	HEBA-COMBO,6205/620	1	PC	SNA
W0230	DC61-02874A	BRACKET-HEATER	WD0704CQR,STAINLESS-ST543	1	PC	SNA
W0641	DC63-01294A	COVER-MOTOR	SCOUT,EGI-SECC,T0.8,W75.1,L2	1	PC	SNA
M0028	DC69-00824A	PACKING-THERMISTOR	GW-PJT,EPDM,-,-,W17,H	1	PC	SNA
W0740	DC69-01154A	PACKING-TUB	WF8804DP,EPDM,-,-,L1650	1	PC	SA
1	DC93-00128C	ASSY DUCT CONDENSER	SEINE-COMBO,WD856UHS	1	PC	SA
2	DC66-00769A	DRUM-WRAPPER	SCOUT,STAINLESS-ST5430,OD 4	1	PC	SNA
3	DC67-00598A	HOSE-JIONT AIR	WD0804W8N1/YAH,PP,ID36.2,	1	PC	SNA
4	DC62-00167A	NOZZLE-BALL	Q1636GW,SILICON,-,-,-,-,TS	1	PC	SNA
5	DC67-00664A	DUCT-CONDENSER(B)	SEINE-COMBO,PP,2.5,159	1	PC	SNA
6	DC31-00075E	MOTOR BLDC-ASSY ROTOR	DON800,0~1400,-,Fr	1	PC	SNA
7	DC31-00076A	MOTOR BLDC-ASSY HALL SENSOR	DON700, 800,	1	PC	SNA

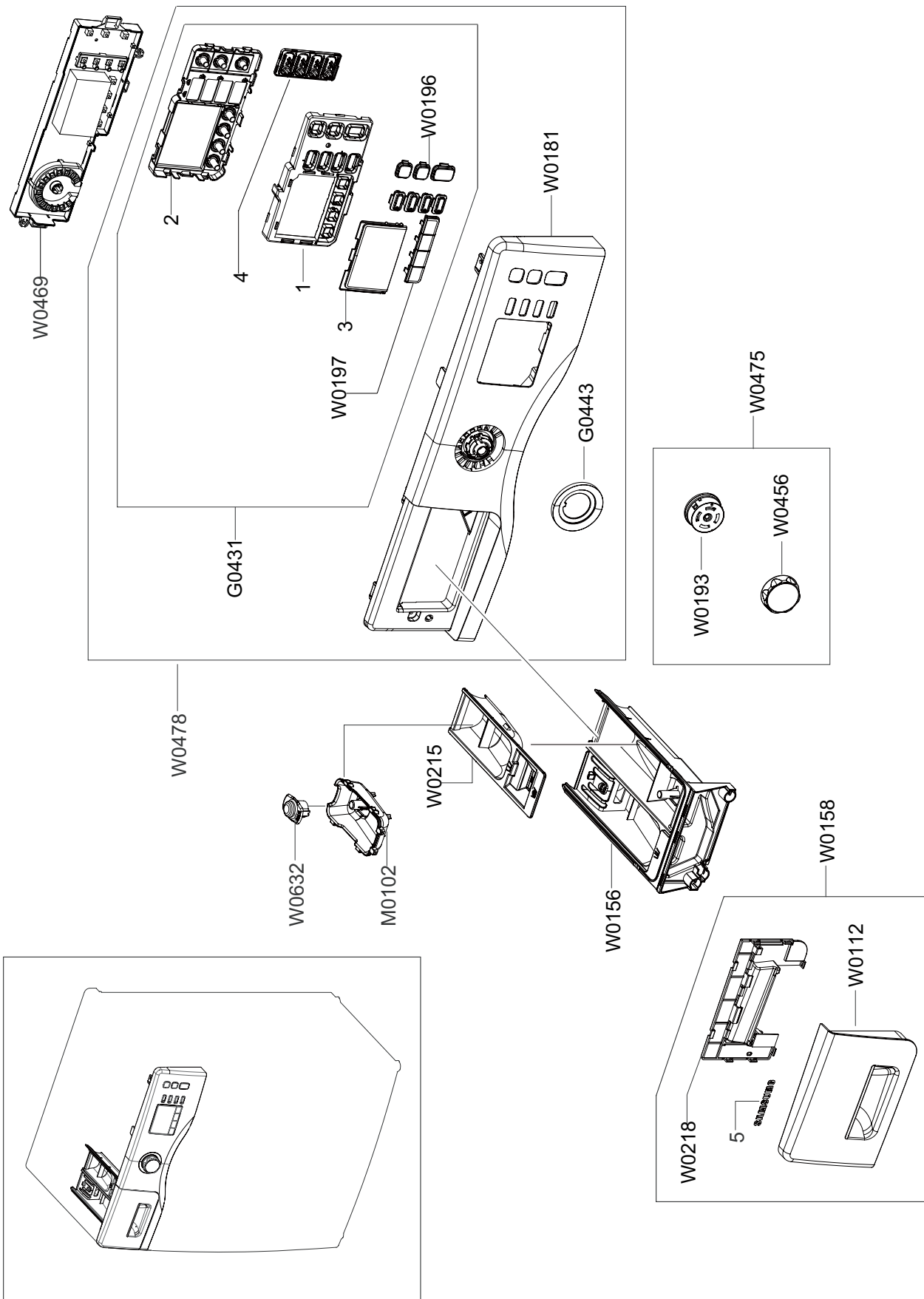
4. ASS'Y FRAME FRONT



MODEL CODE: WD806U4SAWQ/EFService Bom (**SA**: SERVICE AVAILABLE, **SNA**: SERVICE NOT AVAILABLE)

SVC Code	Code No.	Description	Specification	QTY	Un	SA/SNA
W0226	DC61-01919A	BRACKET-HINGE	WF8804DP,GI-SGCC,T1.4,L161	1	PC	SA
W0435	DC63-00967A	COVER-DOOR SWITCH	AEGIS-PJT/ WF8500NHW,P	1	PC	SA
W0225	DC64-01538A	DOOR-LOCK S/W	ZV-446L5,PA,W95,L52,WHITE,	1	PC	SA
W0608	DC91-12078D	ASSY WIRE DIAPHRAGM	HEBA-PJT,-,-,-,-	1	PC	SA
W0459	DC97-16966A	ASSY DOOR	SCOUT-COMBO,WD0804W8N,ABS,T2.5	1	PC	SNA
W0448	DC64-01521A	DOOR-GLASS	WF8804DP,GLASS,T5.0,H120.5,NA	1	PC	SA
W0454	DC97-15375G	ASSY HOLDER GLASS	HEBA,PP	1	PC	SA
W0105	6002-000445	SCREW-TAPPING	TH,+,NO,2,M4,L18,PASS,STS4	3	PC	SNA
W0220	DC61-00891A	GUIDE-HINGE	HAUZEN(DOM),POM,-,-,-,WHT,HI	4	PC	SA
G0428	DC63-00853E	COVER HANDLE	HEBA,ABS,T2.5,Noble Gray,-	1	PC	SA
W0217	DC64-00564A	HANDLE-PIN	Q1636GW/XEU,STS,-,-,-,-,TS-	1	PC	SA
W0722	DC64-01524C	HANDLE DOOR	HEBA,ABS,T2.5,Noble Gray	1	PC	SA
W0474	DC66-00497A	LEVER-DOOR	WF8804DP,ZNDC,T10,W10,L46,NI	1	PC	SC
W0439	DC61-01909B	HOLDER-GLASS	WF8804DPA,PP,T2.5,OD479.5,G	1	PC	SNA
W0219	DC61-01910C	HINGE-DOOR	WD8754RJC/YL,ALDC,HEBA	1	PC	SA
W0754	DC61-01915C	BRACKET-HOLDER	WD8754RJC/YL,GI-SGCC,T1.2	1	PC	SNA
W0142	DC61-02027A	SPRING ETC-LEVER	STAINLESS-STS304,CD1.2,	1	PC	SA
W0457	DC97-16932A	ASSY COVER DOOR	SCOUT-COMBO,WD0804W8N,AB	1	PC	SA
W0440	DC63-01416B	COVER-DOOR	WD0804W8E,ABS,T2.5,D480,CR,SC	1	PC	SNA
W0642	DC64-01897A	DOOR-SAFETY	WD8704DJF,PET,T2.5,H24.1,W32	1	PC	SNA
W0228	DC61-01917B	GUIDE-FILTER	WF8804DP,PP,T2.0,W118.9,L14	1	PC	SA
W0249	DC61-03430A	FRAME-FRONT	WF702U2SAWQ/LE,EGI-SECC,DA-W	1	PC	SA
W0516	DC63-01516A	COVER-FILTER	WF8804DPA,ABS,T2.5,115.7,15	1	PC	SA

5. PANEL-CONTROL & DRAWER

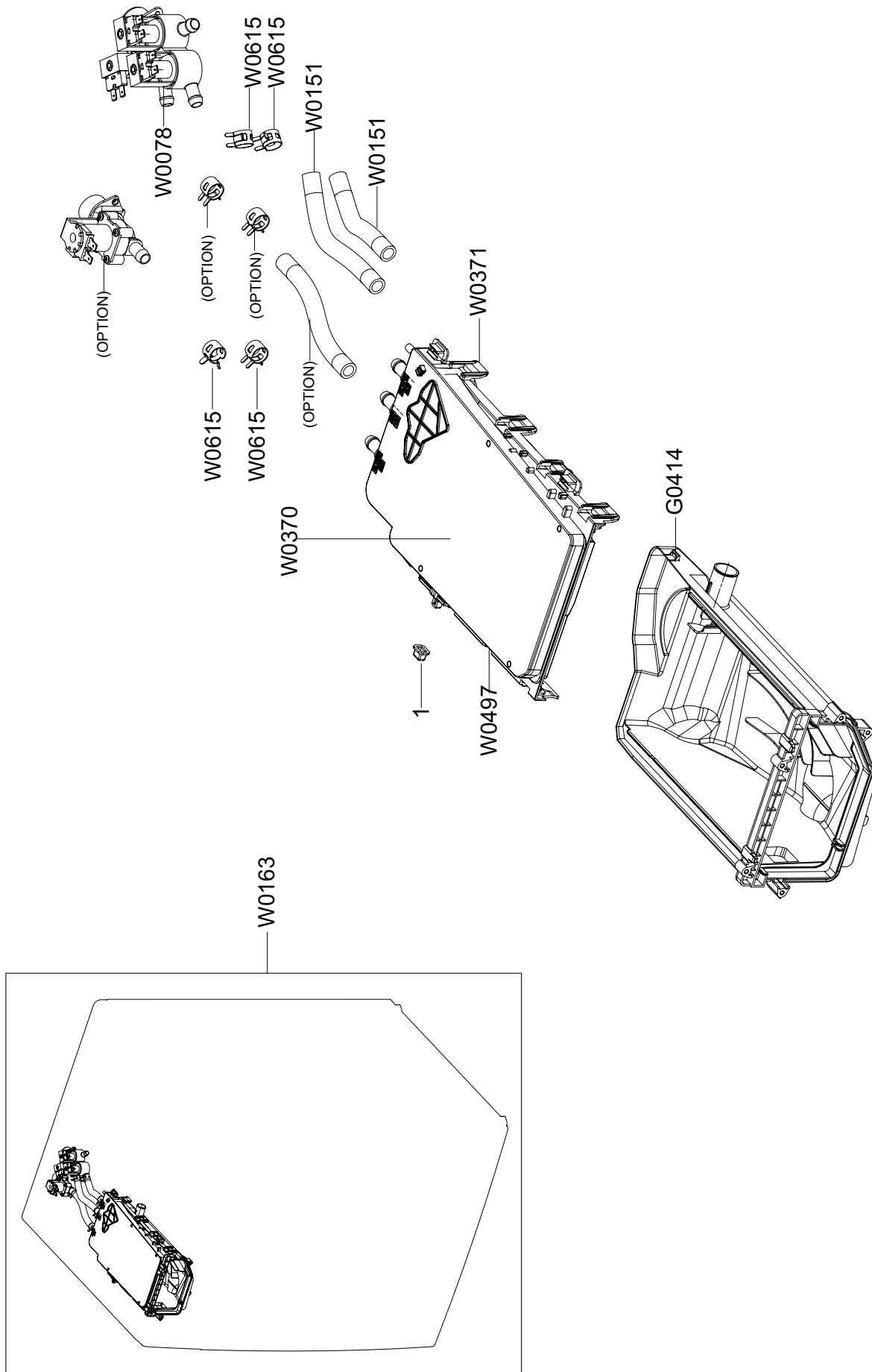


MODEL CODE: WD806U4SAWQ/EF

Service Bom (SA: SERVICE AVAILABLE, SNA: SERVICE NOT AVAILABLE)

SVC Code	Code No.	Description	Specification	QTY	Un	SA/SNA
M0102	DC61-02581C	GUIDE-LIQUID(M)	WF1802XEC,PP,T2.0,W61,W1	1	PC	SA
W0632	DC67-00524A	CAP-DRAWER	WF0804Y8E/XEF,PP,T2.0,W27,L43	1	PC	SA
W0156	DC61-03129A	BODY-DRAWER	WF1802XEC/YLP,PP,T2.0,WHT,VO	1	PC	SA
W0215	DC67-00452A	CAP-RINSE	WF0800NCE,PP,W66.4,L219.2,ECO	1	PC	SNA
W0469	DC92-00942B	ASSY PCB SUB	SEINE COMBO,WD806U4SAWQ/ST,	1	PC	SA
W0475	DC97-17357A	ASSY KNOB ENCODER	SEINE/BAIKAL/VOLGA	1	PC	SA
W0193	DC64-02900A	KNOB-ENCODER	SEINE-PJT,ABS,SPARKING META	1	PC	SNA
W0456	DC64-02800A	DECORATION-ENCODER	BAIKAL-PJT,ABS,T2.5,N	1	PC	SNA
W0158	DC97-17095A	ASSY PANEL DRAWER	SEINE-PJT,WF701P2SAWQ/	1	PC	SA
W0112	DC64-02790A	PANEL-DRAWER	SEINE,ABS,-,DA WHITE	1	PC	SNA
W0218	DC64-02791A	HANDLE-DRAWER	SEINE,ABS,T2.0,-,-	1	PC	SNA
W0478	DC97-17428U	ASSY PANEL CONTROL	WD806U4SAWQ/EF,FRENCH	1	PC	SA
G0443	DC64-02600A	WINDOW-ENCODER	WF1802XEC/YLP,PC,T1.5,GRA	1	PC	SNA
W0181	DC64-02794A	PANEL-CONTROL	SEINE,ABS,HB,HG-0760GP,DA	1	PC	SNA
G0431	DC97-17276Q	ASSY BUTTON	WD906U4SAWQ/EF	1	PC	SNA
W0197	DC64-02592D	BUTTON-PUSH(O)	SEINE-PJT,ABS,S/METALIC G	1	PC	SNA
W0196	DC64-02593A	BUTTON-PUSH(F)	WF1802XEC/YLP,ABS,DA-WHIT	1	PC	SNA
1	DC63-01308A	COVER-BUTTON(U)	WF1802XEC/YLP,ABS,T1.5,D	1	PC	SNA
2	DC63-01350A	COVER-BUTTON(L)	WF1802XEC/YLP,ABS,T2.0,D	1	PC	SNA
3	DC64-02595C	WINDOW-PANEL	SEINE,PC,SMOG,BEST	1	PC	SNA
4	DC64-02696A	DECORATION-BUTTON	WF1802XEC/YLP,ABS+PMMA	1	PC	SNA
5	DA64-03804A	MASCOT	ALL,NICKEL,T0.05,L65	1	PC	SNA

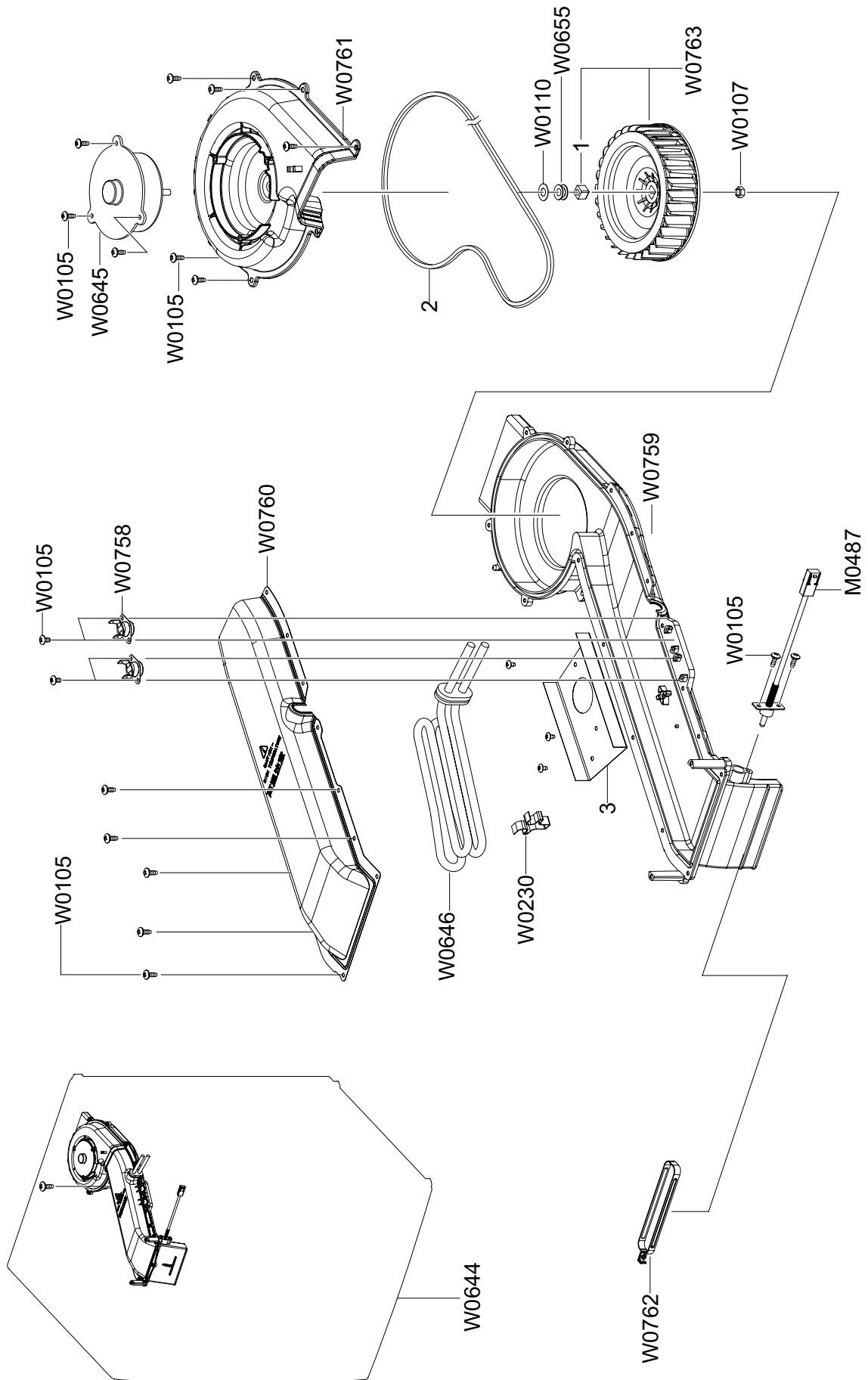
6. ASS'Y HOUSING DRAWER



MODEL CODE: WD806U4SAWQ/EFService Bom (**SA**: SERVICE AVAILABLE, **SNA**: SERVICE NOT AVAILABLE)

Drawing No.	Code No.	Description	Specification	QTY	Un	SA/SNA
W0163	DC97-16005E	ASSY HOUSING DRAWER	SCOUT,WD0804W8E,Comb	1	PC	SA
G0414	DC61-02434A	HOUSING-DRAWER L	HEBA-PJT,PP,T1.8,NTR	1	PC	SA
W0078	DC62-00233B	VALVE-WATER	DRUM,PA66,-,-,3way, mm, BLU	1	PC	SA
W0151	DC67-00051B	HOSE-DRAWER	Q1636GW/XEU,EPDM,ID9.0,OD14.	0.4	M	SNA
W0497	DC97-16006A	ASSY S.HOUSING DRAWER	SCOUT,WF0804Y8E,PP	1	PC	SNA
W0371	DC61-02585A	HOUSING-DRAWER(M)	WF0800NCE,PP,W162.6,L2	1	PC	SNA
W0370	DC61-02587A	HOUSING-DRAWER(U)	WF0800NCE,PP,T1.8,W162	1	PC	SNA
W0615	DC65-00008B	CLAMPER HOSE	SSEC-GE,SK5,ID14.2,ZPC2,T1.	4	PC	SNA
1	DC67-00327A	CAP-DRAWER HOOK	HEBA-PJT,EPDM,T1.1,W13.9	1	PC	SNA

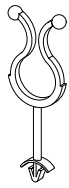
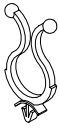

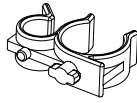

7. ASS'Y DUCT SCROLL



MODEL CODE: WD806U4SAWQ/EFService Bom (**SA**: SERVICE AVAILABLE, **SNA**: SERVICE NOT AVAILABLE)

Drawing No.	Code No.	Description	Specification	QTY	Un	SA/SNA
W0762	DC66-00504A	JOINT-DIAPHRAGM	WF8804DP,EGI,-, -,T1.0,11	1	PC	SA
W0644	DC93-00342A	ASSY DUCT SCROLL	SEINE COMBO 8kg,WD806U4	1	PC	SA
W0105	6002-000239	SCREW-TAPPING	TH,+,NO,2S,M4,L8,ZPC(WHT),	4	PC	SNA
W0105	6006-001174	SCREW-TAPPING	TH,+,WE,2S,M4,L12,ZPC(WHT)	26	PC	SNA
W0107	6021-000225	NUT-HEXAGON	2C,M6,ZPC(YEL),SM20C	1	PC	SNA
W0110	6031-001500	WASHER-PLAIN	N6M03,-,ID8,OT17,T0.2,-,-	1	PC	SNA
W0645	DC31-00032D	MOTOR BLDC-FAN	DL-7806SSWC,1900,-,17.5VD	1	PC	SA
M0487	DC32-00004C	THERMISTOR	PTM-K51F-S16,R=3.3K Ω \pm 5%(at 10	1	PC	SNA
W0758	DC47-00002C	THERMOSTAT	250,10A,145,MANUAL,MIN 100MOH	2	PC	SA
W0646	DC47-00008F	HEATER-DRY	-,HEBA-DD COMBO,Incoloy800,16	1	PC	SA
W0230	DC61-02526A	BRACKET-HEATER	AEGIS-COMBO,STAINLESS-STS	1	PC	SNA
W0761	DC61-02527A	HOUSING-FAN(U/B)	AEGIS-COMBO,PA,T3.0,W18	1	PC	SNA
W0760	DC61-03424A	HOUSING-FAN(U/F)	SEINE-COMBO 8KG,STAINLE	1	PC	SNA
W0759	DC61-03425A	HOUSING-FAN(L)	SEINE-COMBO 8KG,ALDC,T2.5	1	PC	SNA
W0655	DC62-00191A	SEAL-WATER	SEW-DR605,NBR,BLACK,RUBBER /	1	PC	SNA
W0763	DC67-00440A	FAN-DRY	AEGIS-COMBO,PA66,PI 133,28 TURNS	1	PC	SA
1	DC61-01096A	BUSH-FAN	ZNDC,INSERT-PART	1	PC	SNA
2	DC69-01039K	PACKING-DUCT	SEINE-COMBO,Rubber,T4.0,W4.	1	PC	SNA
3	DC63-01162A	COVER-HOUSING	WD0704CQR,STAINLESS-STS430	1	PC	SNA

8. SMALL PARTS

				
1	2	3	4	5

MODEL CODE: WD806U4SAWQ/EF

Service Bom (SA: SERVICE AVAILABLE, SNA: SERVICE NOT AVAILABLE)

Drawing No.	Code No.	Description	Specification	Inst point	QTY	Un	SA/SNA
1	DC61-00995C	HOLDER-WIRE	HEBA-PJT,PA,ID26,W6,L145,NYL	BKT-L(R)+H-DRAIN(O)	1	PC	SA
2	DC61-40081A	HOLDER-WIRE	DAWH-2NC,PA,-,NATURAL,-	BKT-L(R)+WIRE	1	PC	SA
2	DC61-40081A	HOLDER-WIRE	DAWH-2NC,PA,-,NATURAL,-	WIRE(MAIN)+FRAME	3	PC	SA
2	DC61-40081A	HOLDER-WIRE	DAWH-2NC,PA,-,NATURAL,-	BKT-SPRING(R)	4	PC	SA
2	DC61-40081A	HOLDER-WIRE	DAWH-2NC,PA,-,NATURAL,-	FRAME(BACK->TOP)	1	PC	SA
2	DC61-40081A	HOLDER-WIRE	DAWH-2NC,PA,-,NATURAL,-	WIRE(MAIN)+FRAME	1	PC	SA
3	DC61-40083A	HOLDER-WIRE	DAWH-3ND,NYLON66,NTR(PI24.4)	WIRE(MAIN)+FRAME	1	PC	SNA
3	DC61-40083A	HOLDER-WIRE	DAWH-3ND,NYLON66,NTR(PI24.4)	FRAME+HOSE(O)	1	PC	SNA
3	DC61-40083A	HOLDER-WIRE	DAWH-3ND,NYLON66,NTR(PI24.4)	WIRE+FRAME(BACK_LO)	3	PC	SNA
4	DC61-00133A	CLAMPER HOSE-FIX	P1291,PP,-,HOSE+PLUG,BJ	FRM+H-DRAIN+P-CODE	1	PC	SA
5	DC61-00118A	CLAMPER HOSE-FIX	P1291,PA66,ID27,OD30	H-DRAIN(O)+FRAME	1	PC	SA

9. PARTS LIST (SCREW TYPE)

MODEL CODE: WD806U4SAWQ/EF

Service Bom (**SA**: SERVICE AVAILABLE, **SNA**: SERVICE NOT AVAILABLE)

SVC CODE	Code No.	Description	Specification	QTY	Un	SA/SNA
W0085	6001-001773	SCREW-MACHINE	TH,+,-,M5,L12,PASS,STS430,	2	PC	SA
W0628	3501-001268	RELAY-POWER	12V,0.9W,25000mA,1FormA,20ms	3	PC	SA
M0030	DC97-14006C	ASSY SCREW	GRIFFIN-PJT,WF9904RWE,SWRCH18	2	PC	SA

10. PARTS LIST (SCREW TYPE)

MODEL CODE: WD806U4SAWQ/EF

Service Bom (SA: SERVICE AVAILABLE, SNA: SERVICE NOT AVAILABLE)

SVC CODE	Code No.	Description	Specification	QTY	Un	SA/SNA
W0105	6002-000520	SCREW-TAPPING	TH,+,-,2,M4,L12,ZPC(WHT),S	4	PC	SNA
F0056	6003-001768	SCREW-TAPTYPE	TH,+ ,WT,S,M4,L10,ZPC(WHT),	2	PC	SNA
W0105	6006-001174	SCREW-TAPPING	TH,+ ,WE,2S,M4,L12,ZPC(WHT)	5	PC	SNA
W0105	6002-001327	SCREW-TAPPING	PWH,+ ,1,M4,L12,ZPC(WHT),SW	6	PC	SNA
W0105	6006-001174	SCREW-TAPPING	TH,+ ,WE,2S,M4,L12,ZPC(WHT)	2	PC	SNA
W0105	DE60-10080A	SCREW-TAPPING	PWH,+ ,-,2S,M5,L9,-,SWRCH18	2	PC	SNA
W0085	6001-001773	SCREW-MACHINE	TH,+ ,-,M5,L12,PASS,STS430,	2	PC	SA
	6002-001554	SCREW-TAPPING	TH,+ ,No,1,M4,L12,STS430,HE	2	PC	SNA
G0010	6003-000269	SCREW-TAPTYPE	BH,+ ,-,S,M3,L6,ZPC(WHT),SW	2	PC	SNA
	6002-001554	SCREW-TAPPING	TH,+ ,No,1,M4,L12,STS430,HE	12	PC	SNA
W0105	6002-000445	SCREW-TAPPING	TH,+ ,NO,2,M4,L18,PASS,STS4	3	PC	SNA
W0105	6002-000445	SCREW-TAPPING	TH,+ ,NO,2,M4,L18,PASS,STS4	6	PC	SNA
W0105	6002-000520	SCREW-TAPPING	TH,+ ,-,2,M4,L12,ZPC(WHT),S	1	PC	SNA
W0105	6002-001438	SCREW-TAPPING	HWH,+ ,NO,1,M5,L12,ZPC(WHT)	2	PC	SNA
F0056	6003-001768	SCREW-TAPTYPE	TH,+ ,WT,S,M4,L10,ZPC(WHT),	1	PC	SNA
W0105	6006-001174	SCREW-TAPPING	TH,+ ,WE,2S,M4,L12,ZPC(WHT)	7	PC	SNA
W0102	6009-001343	SCREW-SPECIAL	PH,TORX,M4,L12,ZPC(WHT),SW	1	PC	SNA
W0105	6002-000520	SCREW-TAPPING	TH,+ ,-,2,M4,L12,ZPC(WHT),S	1	PC	SNA
W0085	6001-000115	SCREW-MACHINE	BH,+ ,-,M3,L10,ZPC(WHT),SWR	7	PC	SNA
W0105	6002-000239	SCREW-TAPPING	TH,+ ,NO,2S,M4,L8,ZPC(WHT),	4	PC	SNA
W0105	6006-001174	SCREW-TAPPING	TH,+ ,WE,2S,M4,L12,ZPC(WHT)	26	PC	SNA
W0105	6002-001436	SCREW-TAPPING	PH,+ ,2,M4,L18,ZPC(WHT),SWR	6	PC	SNA
W0105	6002-000445	SCREW-TAPPING	TH,+ ,NO,2,M4,L18,PASS,STS4	4	PC	SNA
W0105	6002-000520	SCREW-TAPPING	TH,+ ,-,2,M4,L12,ZPC(WHT),S	1	PC	SNA
W0105	6006-001174	SCREW-TAPPING	TH,+ ,WE,2S,M4,L12,ZPC(WHT)	2	PC	SNA
G0425	6009-001367	SCREW-HEX	HWH,+ ,-,M6.5,L32,ZPC(WHT),SWRC	16	PC	SNA
W0105	6002-000445	SCREW-TAPPING	TH,+ ,NO,2,M4,L18,PASS,STS4	2	PC	SNA
W0105	6002-000520	SCREW-TAPPING	TH,+ ,-,2,M4,L12,ZPC(WHT),S	1	PC	SNA
	6002-001554	SCREW-TAPPING	TH,+ ,No,1,M4,L12,STS430,HE	2	PC	SNA
W0105	6002-001006	SCREW-TAPPING	TH,+ ,-,2S,M4,L12,PASS,STS4	3	PC	SNA