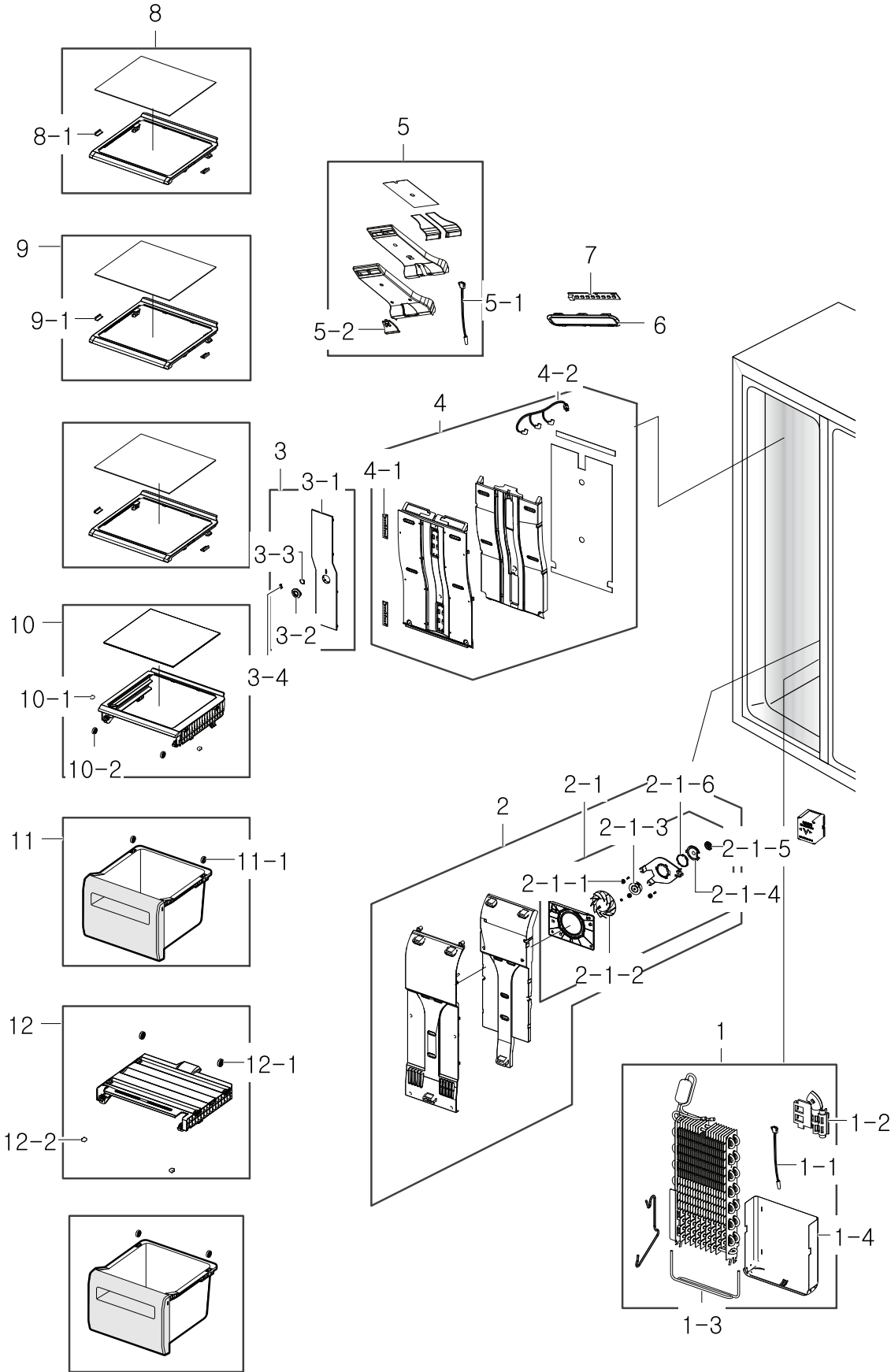


1. freezer

Exploded View



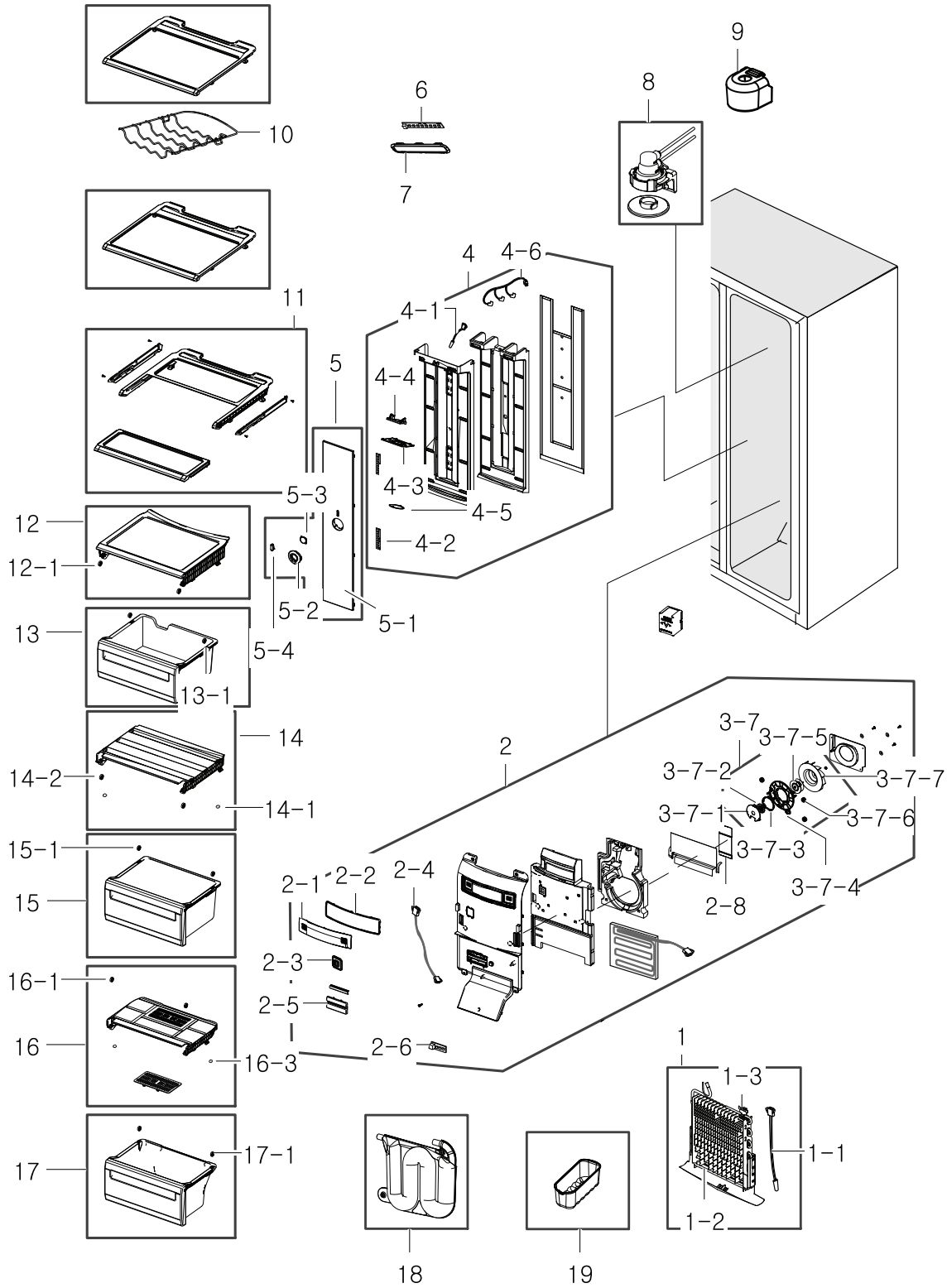
Parts List

No.	Parent	Lvl.	Loc.	Material Code	Description & Specification	SNA	Qty.
1	DA90-05260A	2	RF011	DA96-00672N	ASSY EVAP-FRE; GUGGENHEIM,FIN PIPE,A1070S	SA	1
1-1	DA96-00672N	3	RR336	DA32-00029N	SENSOR TEMP; DTN-C502G6X,NEXT-PJT,40~110	SA	1
1-2	DA96-00673Q	3	RF217	DA61-05160A	FIXER-FUSE; CULLI_09,PP,BJ-730,NTR,-	SA	1
1-3	DA96-00672N	3		DA47-00320K	HEATER-SHEATH-METAL FRE; GGH,INCOLOY840,2	SA	1
1-4	DA96-00672N	3	RF169	DA61-05990B	PLATE-DRAIN EVAP FRE; GUGGENHEIM,GL-SAZCC	SA	1
2	DA90-05262A	2	RF005	DA97-06098P	ASSY-COVER EVAP FRE; GGH,EXPORT	SA	1
2-1	DA97-06098P	3	RI389	DA97-06096B	ASSY MOTOR-FAN FRE; GUGGENHEIM,230V, PI 1	SA	1
2-1-1	DA97-06095B	4	RI086	DA63-04118A	GROMMET-MOTOR; GUGGENHEIM,SILICON,-,-,-,I	SA	3
2-1-2	DA97-06095B	4	RK184	DA31-00213A	FAN-BACKWARD; -,GUGGENHEIM,ABS,PI 130.5,W	SA	1
2-1-3	DA97-06096B	4	RK358	DA31-00211A	MOTOR BLDC-COMPACT; DREP5060RA,1800,-,DC	SA	1
2-1-4	DA97-06095B	4	RF149	DA61-04129B	BRACKET-MOTOR REF B; HIPS,T2.0,NTR	SA	1
2-1-5	DA97-06095B	4	RI377	DA63-04130A	GROMMET-MOTOR LOW; GUGGENHEIM,RUBBER,-,-,-	SA	1
2-1-6	DA97-06095B	4	RI378	DA63-04131A	GROMMET-MOTOR HIGH; GUGGENHEIM,RUBBER,-,-,-	SA	1
3	DA90-05264A	2	RF031	DA97-06100A	ASSY-COVER LAMP FRE; GUGGENHEIM,LED TYPE,	SA	1
3-1	DA97-06100A	3	RF396	DA63-04117A	COVER LAMP-FRE; GUGGENHEIM,PP,T2.0,-,-,-,-	SA	1
3-2	DA97-06100A	3	RI372	DA63-04121A	COVER-SENSOR MID A; GUGGENHEIM,ABS,T2.0,-	SA	1
3-3	DA97-06100A	3	RI373	DA63-04122A	COVER-SENSOR MID B; GUGGENHEIM,GPPS,T2.0,	SA	1
3-4	DA97-06100A	3	RI374	DA63-04123A	COVER-SENSOR MID C; GUGGENHEIM,ABS,T2.0,-	SA	1
4	DA90-05262A	2	RF439	DA97-06444A	ASSY COVER-MULTI FRE; GUGGENHEIM,-,-,-,-,-	SA	1
4-1	DA97-06101D	3	RK387	DA41-00519B	PBA-LED LAMP; GUGGENHEIM-PJT,F-ROOM,CEM-1	SA	2
4-2	DA97-06444A	3	RR864	DA96-00424B	ASSY W/HARNESS-LED LAMP; GUGGENHEIM,W/H L	SA	1
5	DA90-05262A	2	RI027	DA97-06469E	ASSY COVER-ICE DUCT FRE; GUGGENHEIM	SA	1

No.	Parent	Lvl.	Loc.	Material Code	Description & Specification	SNA	Qty.
5-1	DA97-06469E	3	RR340	DA32-10109Y	SENSOR TEMP; 502AT,A-TOP,-,5V,-,R-SENSO	SC	1
5-2	DA97-06469E	3	RI395	DA67-02035A	CAP-SENSOR ICE DUCT; GUGGENHEIM,PP,T2.0,-	SA	1
6	DA90-05264A	2	RI370	DA63-04119B	COVER LAMP-LED FRONT; CORE,PC,T2,W145,L36	SA	2
7	DA97-06101D	3	RK387	DA41-00519B	PBA-LED LAMP; GUGGENHEIM-PJT,F-ROOM,CEM-1	SA	2
8	DA90-04451B	2	RF207	DA97-06188C	ASSY SHELF FRE-MID B; GUGGENHEIM-PJT,BEST	SA	2
8-1	DA97-07885C	3	RF208	DA64-02504A	TRIM SHELF-FRE FRONT; GUGGENHEIM-PJT,STS3	SA	1
9	DA90-04451B	2	RF363	DA97-07885C	ASSY SHELF FRE-MID A; GGH09,BEST, DELETE	SA	1
9-1	DA97-07885C	3	RF208	DA64-02504A	TRIM SHELF-FRE FRONT; GUGGENHEIM-PJT,STS3	SA	1
10	DA90-04451B	2	RF087	DA97-06137B	ASSY SHELF-FRE LOW; GUGGENHEIM,HIPS	SA	1
10-1	DA97-07839A	3	RI088	DA63-04402A	GROMMET-COVER SUB; GUGGENHEIM,SILICON,-,-	SA	2
10-2	DA97-07839A	3	RR351	DA66-10104C	ROLLER-FRE; GUGGENHEIM,POM,OD22,-,NTR,-,-	SA	2
11	DA90-05264A	2	RF002	DA97-06133E	ASSY CASE-BASKET UP; GUGGENHEIM,-,-,-,S	SA	2
11-1	DA97-07839A	3	RR351	DA66-10104C	ROLLER-FRE; GUGGENHEIM,POM,OD22,-,NTR,-,-	SA	2
12	DA90-05264A	2	RI387	DA97-06135A	ASSY COVER-BASKET LOW; GUGGENHEIM,-,-,-	SA	1
12-1	DA97-07839A	3	RR351	DA66-10104C	ROLLER-FRE; GUGGENHEIM,POM,OD22,-,NTR,-,-	SA	2
12-2	DA97-07839A	3	RI088	DA63-04402A	GROMMET-COVER SUB; GUGGENHEIM,SILICON,-,-	SA	2

2. fridge

Exploded View



Parts List

No.	Parent	Lvl.	Loc.	Material Code	Description & Specification	SNA	Qty.
1	DA90-05260A	2	RI016	DA96-00673Q	ASSY EVAP-REF; GUGGENHEIM,FIN PIPE,A1070S	SA	1
1-1	DA96-00672N	3	RR336	DA32-00029N	SENSOR TEMP; DTN-C502G6X,NEXT-PJT,40~110	SA	1
1-2	DA96-00673Q	3		DA47-00321K	HEATER-SHEATH-METAL REF; GGH-PJT,INCOLOY8	SA	1
1-3	DA96-00673Q	3	RK213	DA61-03683A	FIXER-SENSER; AW-PJT,PP,-,NTR,FH-44N	SA	1
2	DA90-05262A	2	RI008	DA97-11863B	ASSY-COVER EVAP REF; GGH,EUROPE,220~240V	SA	1
2-1	DA97-11863B	3	RF333	DA63-04129F	COVER-PURIFIER LOW; GGH,PP,2.5,325,EXP,DA	SA	1
2-2	DA97-11863B	3	RG056	DA64-02468A	TRIM-PURIFIER LOW; GUGGENHEIM,ABS,-,-,-,A	SA	1
2-3	DA97-11863B	3	RI609	DA61-04393A	GUIDE AIR-REF; GUGGENHEIM-PJT,HIPS,-,-,-,	SA	1
2-4	DA97-11863B	3	RR865	DA96-00424C	ASSY W/HARNESS-LED LAMP; GUGGENHEIM,W/H L	SA	1
2-5	DA97-11863B	3	RG031	DA63-04128B	COVER-LED REF LOW; GUGGENHEIM,GPPS,NTR	SA	1
2-6	DA97-11863B	3	RR944	DA96-00392C	ASSY-LAMP LED; AW CD,3chip 2EA	SA	1
2-8	DA97-11863B	3	RI271	DA61-06142A	PLATE-DRAIN INS EVAP REF; GUGGENHEIM,A110	SA	1
3-7	DA97-11863B	3	RI390	DA97-06095B	ASSY MOTOR-FAN REF; GUGGENHEIM,BLDC PI130	SA	1
3-7-1	DA97-06095B	4	RF149	DA61-04129B	BRACKET-MOTOR REF B; HIPS,T2.0,NTR	SA	1
3-7-2	DA97-06095B	4	RI377	DA63-04130A	GROMMET-MOTOR LOW; GUGGENHEIM,RUBBER,-,-,	SA	1
3-7-3	DA97-06095B	4	RI378	DA63-04131A	GROMMET-MOTOR HIGH; GUGGENHEIM,RUBBER,-,-	SA	1
3-7-4	DA97-06095B	4	RF148	DA61-04128A	BRACKET-MOTOR REF A; GUGGENHEIM-PJT,ABS+G	SA	1
3-7-5	DA97-06095B	4	RK359	DA31-00211B	MOTOR BLDC-COMPACT; DREP5060RB,1550,-,DC	SA	1
3-7-6	DA97-06095B	4	RI086	DA63-04118A	GROMMET-MOTOR; GUGGENHEIM,SILICON,-,-,-,I	SA	3
3-7-7	DA97-06095B	4	RK184	DA31-00213A	FAN-BACKWARD; -,GUGGENHEIM,ABS,PI 130.5,W	SA	1
4	DA90-05262A	2	RI019	DA97-06101D	ASSY-COVER MULT REF; GUGGENHEIM,LED/EXP	SA	1
4-1	DA97-06101D	3	RR339	DA32-10109W	SENSOR TEMP; PX-41C,502AT-2,A-TOP,-,5V,-,	SC	1
4-2	DA97-06101D	3	RK387	DA41-00519B	PBA-LED LAMP; GUGGENHEIM-PJT,F-ROOM,CEM-1	SA	2

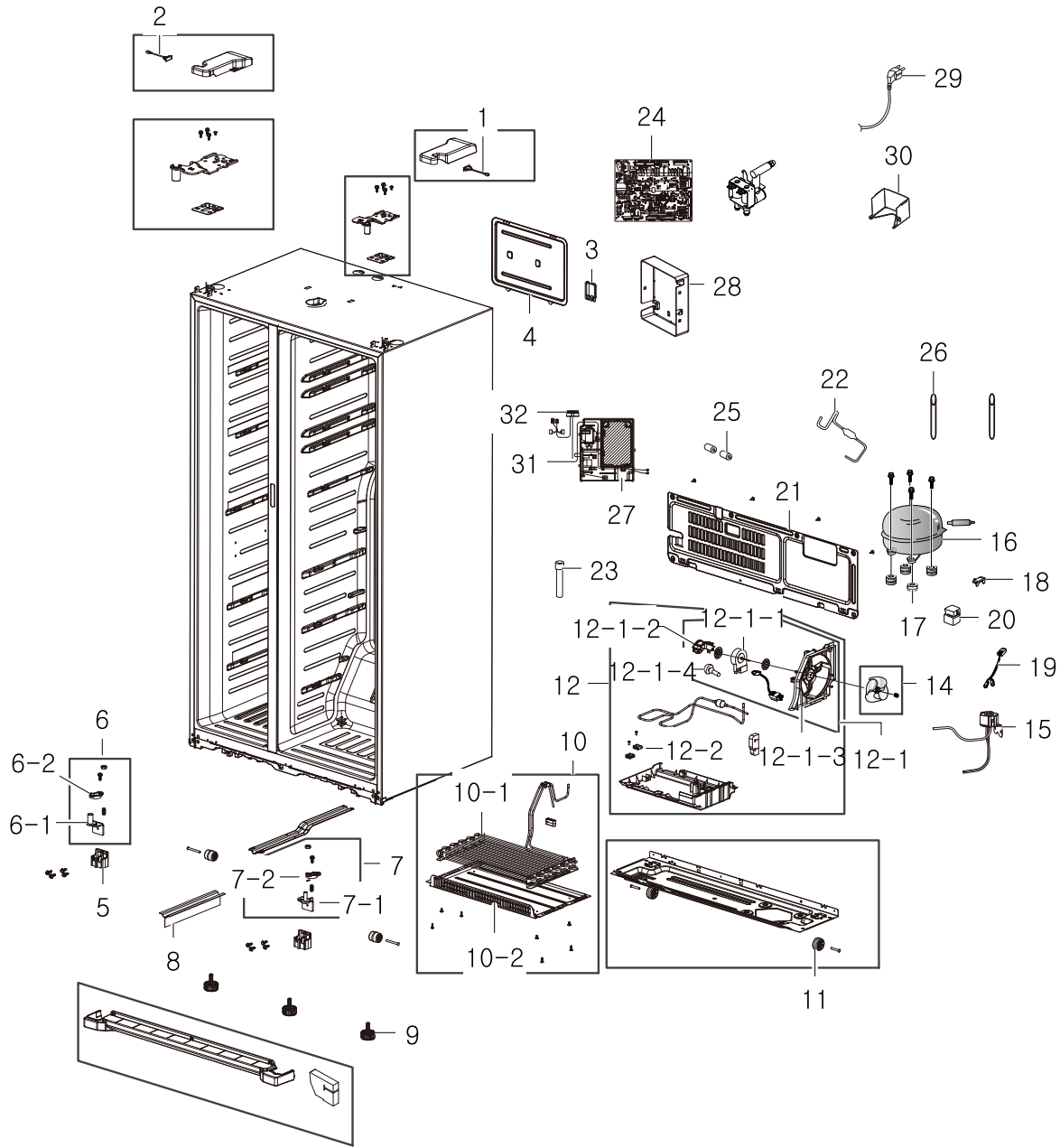
Exploded Views and Parts List

No.	Parent	Lvl.	Loc.	Material Code	Description & Specification	SNA	Qty.
4-3	DA97-06101D	3	RI375	DA63-04126A	COVER-PURIFIER HIGH A; GUGGENHEIM,PP,-,-,	SA	1
4-4	DA97-06101D	3	RI376	DA63-04127A	COVER-PURIFIER HIGH B; GUGGENHEIM,MIPS,MI	SA	1
4-5	DA97-06101D	3	RF332	DA64-02465A	TRIM-PURIFIER UPP; GUGGENHEIM,ABS,-,-,-,A	SA	1
4-6	DA97-06101D	3	RR863	DA96-00424A	ASSY W/HARNESS-LED LAMP; geggenheim,W/H L	SA	1
5	DA90-05264A	2	RI391	DA97-06092A	ASSY COVER-LAMP REF; GUGGENHEIM,-,-,-,-,-	SA	1
5-1	DA97-06092A	3	RI371	DA63-04120A	COVER LAMP-LED REF; GUGGENHEIM,PP,T2.0,-,	SA	1
5-2	DA97-06100A	3	RI372	DA63-04121A	COVER-SENSOR MID A; GUGGENHEIM,ABS,T2.0,-	SA	1
5-3	DA97-06100A	3	RI373	DA63-04122A	COVER-SENSOR MID B; GUGGENHEIM,GPPS,T2.0,	SA	1
5-4	DA97-06100A	3	RI374	DA63-04123A	COVER-SENSOR MID C; GUGGENHEIM,ABS,T2.0,-	SA	1
6	DA97-06101D	3	RK387	DA41-00519B	PBA-LED LAMP; GUGGENHEIM-PJT,F-ROOM,CEM-1	SA	2
7	DA90-05264A	2	RI370	DA63-04119B	COVER LAMP-LED FRONT; CORE,PC,T2,W145,L36	SA	2
8	DA90-05270A	2	RI006	DA97-06317A	ASSY CASE-FILTER; AW,-,-,-,-,-	SA	1
9	DA90-05270A	2	RI696	DA63-04150B	COVER-FILTER; AW,HIPS,-,96.0,73.6,-,-,COO	SA	1
10	DA90-04451B	2	RI160	DA75-00267A	RACK-WINE; GUGGENHEIM,STS204,OD4.5,455.1,	SA	1
11	DA90-04451B	2	RI259	DA97-06189B	ASSY SHELF REF-FOLD BEST; GUGGENHEIM-PJT,	SA	1
12	DA90-04451B	2	RI039	DA97-06440B	ASSY SHELF-REF LOW; GUGGENHEIM,NON PRINTE	SA	1
12-1	DA97-07839A	3	RR351	DA66-10104C	ROLLER-FRE; GUGGENHEIM,POM,OD22,-,NTR,-,-	SA	2
13	DA90-05264A	2	RI002	DA97-06441E	ASSY CASE-VEG UP; GUGGENHEIM,-,-,-,-,SAN+	SA	1
13-1	DA97-07839A	3	RR351	DA66-10104C	ROLLER-FRE; GUGGENHEIM,POM,OD22,-,NTR,-,-	SA	2
14	DA90-05264A	2	RI386	DA97-06136A	ASSY COVER-VEG UP; GUGGENHEIM,-,-,-,-,-	SA	1
14-1	DA97-07839A	3	RI088	DA63-04402A	GROMMET-COVER SUB; GUGGENHEIM,SILICON,-,-	SA	2
14-2	DA97-07839A	3	RR351	DA66-10104C	ROLLER-FRE; GUGGENHEIM,POM,OD22,-,NTR,-,-	SA	2
15	DA90-05264A	2	RI452	DA97-06132E	ASSY CASE-VEG MID; GUGGENHEIM,-,-,-,-,SAN	SA	1
15-1	DA97-07839A	3	RR351	DA66-10104C	ROLLER-FRE; GUGGENHEIM,POM,OD22,-,NTR,-,-	SA	2

No.	Parent	Lvl.	Loc.	Material Code	Description & Specification	SNA	Qty.
16	DA90-05264A	2	RI567	DA97-07839A	ASSY COVER VEG-LOW; GGH09,SAN	SA	1
16-1	DA97-07839A	3	RR351	DA66-10104C	ROLLER-FRE; GUGGENHEIM,POM,OD22,-,NTR,-,-	SA	2
16-3	DA97-07839A	3	RI088	DA63-04402A	GROMMET-COVER SUB; GUGGENHEIM,SILICON,-,-	SA	2
17	DA90-05264A	2	RI001	DA97-06131E	ASSY CASE-VEG LOW; GUGGENHEIM,-,-,-,SAN	SA	1
17-1	DA97-07839A	3	RR351	DA66-10104C	ROLLER-FRE; GUGGENHEIM,POM,OD22,-,NTR,-,-	SA	2
18	DA90-05270A	2	RI043	DA97-08536B	ASSY TANK WATER; GGH10,ASSY,NTR	SA	1
19	DA90-05264A	2	RG125	DA97-02806A	ASSY TRAY-EGG; EPEL,T2.5,W324.5,L122.2,H1	SA	1

3. cabinet

Exploded View



Parts List

No.	Parent	Lvl.	Loc.	Material Code	Description & Specification	SNA	Qty.
1	DA97-07883A	3	RY459	DA34-00043C	SWITCH REED-ASS'Y; 200VDC,1.5A,-	SA	1
2	DA97-07883A	3	RY459	DA34-00043C	SWITCH REED-ASS'Y; 200VDC,1.5A,-	SA	1
3	DA90-05270A	2	RM030	DA63-00586B	COVER-TUBE FILTER; A-TOP,PP,-,W76,L83,-,-	SA	1
4	DA90-07130D	2	RO461	DA97-06120S	ASSY COVER-PCB PANEL MAIN; GUGGENHEIM,SBH	SA	1

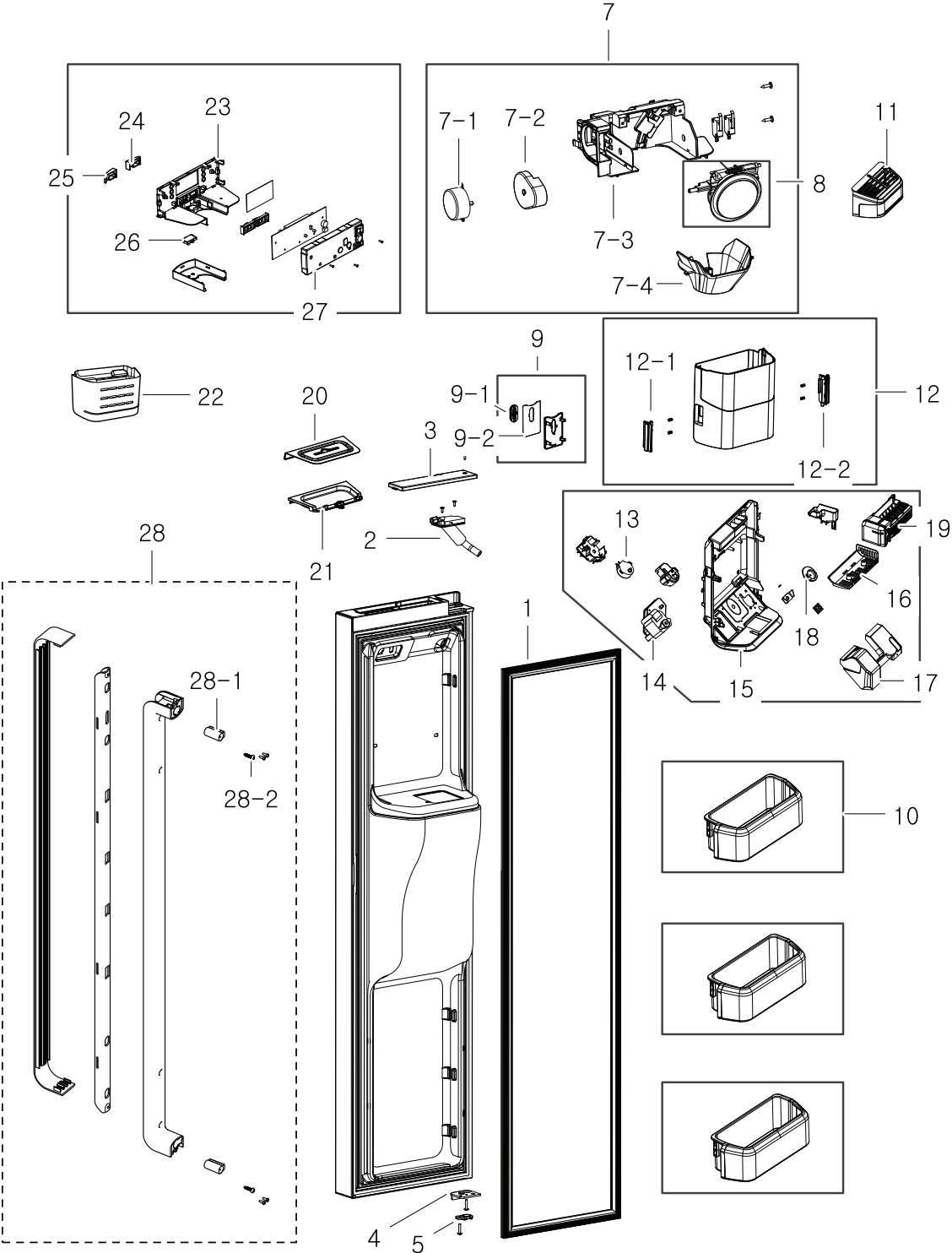
No.	Parent	Lvl.	Loc.	Material Code	Description & Specification	SNA	Qty.
5	DA90-05254F	2	RO500	DA61-04215A	BRACKET HINGE-LOW; GUGGENHEIM,AL,-,-,-,-	SA	2
6	DA90-07130D	2	RO037	DA97-06158A	ASSY HINGE LOW-L; GUGGENHEIM,-,-,-,BLK,-	SA	1
6-1	DA97-06158A	3	RO434	DA61-04191A	HINGE-LOW L; GUGGENHEIM,SHP1,T4.5,-,-,-,-	SA	1
6-2	DA97-06158A	3	RD200	DA66-00560A	CAM HINGE-RISER LOW L; GUGGENHEIM,PC(HF-1	SA	1
7	DA90-07130D	2	RO038	DA97-06157A	ASSY HINGE LOW-R; GUGGENHEIM,-,-,-,BLK,-	SA	1
7-1	DA97-06157A	3	RO436	DA61-04190A	HINGE-LOW R; GUGGENHEIM,SHP1,T4.5,-,-,-,-	SA	1
7-2	DA97-06157A	3	RD201	DA66-00559A	CAM HINGE-RISER LOW R; GUGGENHEIM,NY-66,-	SA	1
8	DA97-06115L	3	RM102	DA64-02605A	TRIM-BLADE; GUGGENHEIM,PVC,-,-,-,WHITE+GR	SA	1
9	DA97-06115L	3	RO100	DA61-00805F	FOOT-FRONT; REF-ALL,PP+MSWR10,BLACK,PP_S	SA	2
10	DA90-05254F	2	RH701	DA97-06123D	ASSY-CONDENSER; GUGGENHEIM,SWST,ID3.76,OD	SA	1
10-1	DA97-06123D	3	RC702	DA97-06122B	ASSY-FIN CONDENSER; GUGGENHEIM,SWST,ID3.7	SA	1
10-2	DA97-06123D	3	RC022	DA97-06508F	ASSY COVER-CONDENSER; GUGGENHEIM,SBHG1,FO	SA	1
11	DA97-06121B	3	RR242	DA61-04703A	CASTER-REAR; AW-PJT,PP,-,35,NTR,35,PP+TPE	SA	2
12	DA90-05260A	2	RH003	DA97-06206A	ASSY TRAY-DRAIN WATER; GUGGENHEIM,-,-,-,N	SA	1
12-1	DA97-06206A	3	RO132	DA97-03870C	ASSY SUPPORT-CIRCUIT MOTOR; GUGGENHEIM,-	SA	1
12-1-1	DA97-03870C	4	RR088	DA31-00146B	MOTOR BLDC; DRCP5030LA,1560,-,DC12V,230mA	SC	1
12-1-2	DA97-03870C	4	RH039	DA61-02355B	BRACKET-CIRCUIT MOTOR; ABS,NEXT,-,-,-,NTR	SA	1
12-1-3	DA97-03870C	4	RF412	DA61-02788A	SUPPORT-CIRCUIT MOTOR; ET/A-TOP_VE,ABS,T2	SA	1
12-1-4	DA97-03870C	4	RR066	DA63-40167A	GROMMET-COVER CHIL; SILICON,L16,WHITE	SA	1
12-2	DA97-06206A	3	RH054	DA63-04424A	GROMMET-COND SUB; GUGGENHEIM,NBR,-,-,-,-	SA	2
14	DA90-05260A	2	RK180	DA31-00010F	FAN-ASS'Y; SBS,ABS+GLASSFIBER, 150,3-Win	SA	1
15	DA90-05260A	2	RF113	DA97-07070A	ASSY MOTOR-STEP VALVE; CULLINAN,MOLD BRAC	SA	1

Exploded Views and Parts List

No.	Parent	Lvl.	Loc.	Material Code	Description & Specification	SNA	Qty.
16	DA90-05260A	2	RH002	ENV4A5GL2J/E01	COMPRESSOR,BLDC IPM,15.32CC,220-240V,FAN; COMPRESSOR,BLDC IPM,15.32CC,220-240V,FAN	SA	1
17	DA90-05260A	2	RH732	DA63-02617A	GROMMET COMP; USP05,EPDM,OD18.5,BLACK	SA	4
18	DA97-10848E	3	RO354	DA34-00004B	RELAY PROTECTOR O/L; 4TM308RFBYY-82,BK190	SA	1
19	DA97-10848E	3	RH741	DA39-00154D	WIRE HARNESS-COMP; GUGGENHEIM,PVC_TUBE,-,	SA	1
20	DA90-05260A	2	RH015	DA63-01866A	COVER RELAY; NORYL,T2.0,SSEC,BLACK,HOOK	SA	1
21	DA90-07130D	2	RH001	DA97-06124C	ASSY COVER-COMP; GUGGENHEIM,SEAL NOT	SA	1
22	DA90-05260A	2	RT094	DA97-02805D	ASSY PIPE CONNECT-SUCTION; GGH09	SA	1
23	DA90-05260A	2	RZ110	DA97-04049B	ASSY CAP-DRAIN; SBS,ASSY,-,L224.5,-,-	SA	2
24	RSG5UCRS1/XEF	1	RY475	DA92-00244A	ASSY PCB MAIN; 13V, 5V,LED DISPLAY,GGH-PJ	SA	1
25	DA90-05260A	2	RX042	DA63-40171D	GROMMET-SUCT PIPE B; RAIL L20,NR,ID5.5,OD	SA	1
26	DA90-05260A	2	RH026	DA73-10190U	PIPE-CONNECT DISC,B; TD-PJT,C1220-T,-,6.3	SA	1
27	DA90-05260A	2	RO206	DA61-07781A	CASE-PCB PANEL INV; GUGGENHEIM,ABS,W203.3	SA	1
28	DA90-07130D	2	RH060	DA97-06839A	ASSY COVER-PCB PANEL INV; GUGGENHEIM,N-AB	SA	1
29	DA90-07165K	2	RK076	DA39-10115D	CBF-POWER CORD; UCP-2,250V,10/16A,L2100,-	SNA	1
30	DA90-05260A	2	RG097	DA63-05566A	COVER-HOUSING; GGH-KENMORE,GI-SGCC,T0.5	SA	1
31	DA90-05260A	2	RH083	DA27-00019H	COIL FILTER-EMI; AW3-PJT,20mH,82*60,-25 ~	SA	1
32	DA90-05260A	2	RH057	DA96-00443H	ASSY W/HARNESS-INVERTER BOX; GGH-PJT,100~	SA	1

4. freezer door

Exploded View



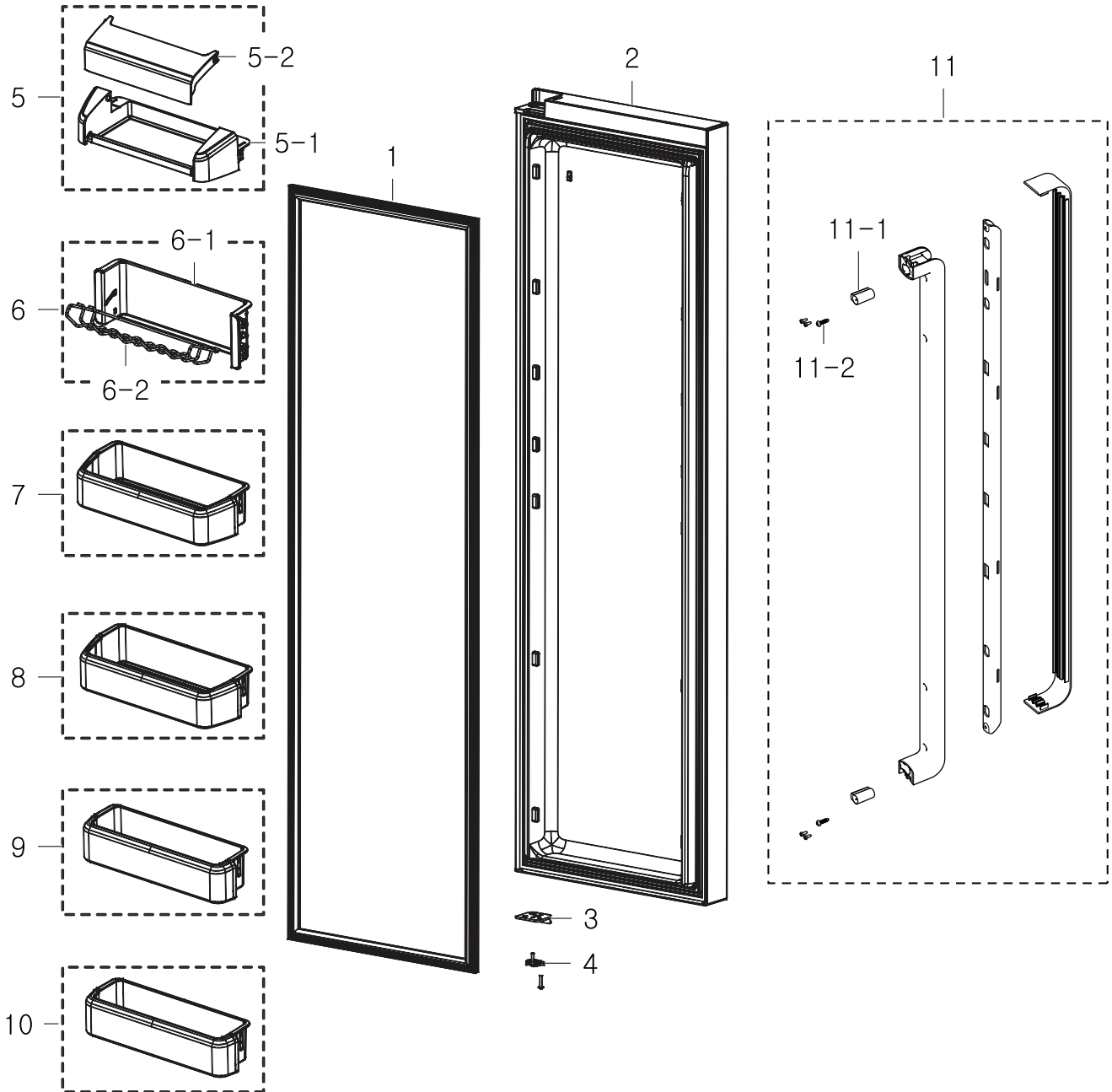
Parts List

No.	Parent	Lvl.	Loc.	Material Code	Description & Specification	SNA	Qty.
1	DA90-05256F	2	RR894	DA97-04568N	ASSY-GASKET DOOR FRE; GUGGENHEIM,SC-9748	SA	1
2	DA97-07731X	5	RO131	DA97-06542A	ASSY PIPE-WATER ICE; GUGGENHEIM(EXP),230V	SA	1
3	DA97-07731X	5	RO231	DA63-04341A	COVER-CAP DOOR FRE; GUGGENHEIM,ABS,-,W61.	SA	1
4	DA97-06533A	5	RD070	DA61-04195A	STOPPER-DOOR L; GUGGENHEIM,SHP1,T3.0,-,-,	SA	1
5	DA97-06533A	5	RD202	DA66-00558A	CAM HINGE-RISER UPP L; GUGGENHEIM,PC(HF-1	SA	1
7	DA90-05256F	2	RE092	DA97-06473E	ASSY CASE-ICE ROUTE; GGH,AC220/240	SA	1
7-1	DA97-11095A	3	RF261	DA31-00079A	MOTOR GEARED-DISP; 15.2/18.2 rpm,50/60Hz,	SA	1
7-2	DA97-06473E	3	RD199	DA66-00309A	CAM-GEAR MOTOR; QUEEN,POM,-,-,NTR,-,-,-,-	SA	1
7-3	DA97-06473E	3	RE130	DA61-04373A	CASE-ICE ROUTE; GUGGENHEIM,ABS,-,W170.5,L	SA	1
7-4	DA97-06473E	3	RD062	DA61-04377A	GUIDE-ICE DISPENSER; GUGGENHEIM,ABS,-,W12	SA	1
8	DA97-06473E	3	RD068	DA97-00883E	ASSY COVER-ICE ROUTE; QUEEN-PJT,-,-,-,-,-	SA	1
9	DA90-05256F	2	RI382	DA97-06479H	ASSY COVER-MICRO SWITCH; GUGGENHEIM,W86,L	SA	1
9-1	DA97-06479H	3	RQ615	DA66-00600C	LEVER-PUSH; GUGGENHEIM,SILICON,T0.5,W29.3	SA	1
9-2	DA97-06479H	3	RI368	DA61-04390C	PLATE-COVER SWITCH; GGH,STAINLESS-ST304,	SA	1
10	DA90-05565B	2	RR460	DA97-06194E	ASSY GUARD-FRE MID; GUGGENHEIM,-,-,-,-,-,	SA	3
11	DA90-05270A	2	RM003	DA97-06568C	ASSY COVER-ICE MAKER; GUGGENHEIM(EXP),COO	SA	1
12	DA90-05270A	2		DA97-06569L	ASSY CASE-ICE BUCKET; GGH,COOL WHITE,IN-D	SA	1
12-1	DA97-06569L	3	RM051	DA66-00587A	LEVER-BUCKET L; GUGGENHEIM,ABS,29.8,76.7,	SA	1
12-2	DA97-06569L	3	RM052	DA66-00588A	LEVER-BUCKET R; GUGGENHEIM,ABS,29.8,76.7,	SA	1
13	DA97-11095A	3	RF261	DA31-00079A	MOTOR GEARED-DISP; 15.2/18.2 rpm,50/60Hz,	SA	1
14	DA97-11095A	3	RF434	DA31-00210E	MOTOR GEARED-AUGER; ISG-3245SSB,1/201.5,2	SA	1
15	DA97-11095A	3	RF417	DA61-04363B	CASE-AUGER MOTOR; HM10,GGH,ABS,171.8,415.	SA	1
16	DA97-11095A	3	RI379	DA63-04355A	COVER-HEATER ICE MAKER; GUGGENHEIM,ABS,47	SA	1

No.	Parent	Lvl.	Loc.	Material Code	Description & Specification	SNA	Qty.
17	DA97-11095A	3	RF251	DA63-04362B	COVER-MOTOR AUGER SUB; GUGGENHEIM,HIPS,NT	SA	1
18	DA97-11095A	3	RF185	DA66-00589A	CAM-LEVER CUBE; GUGGENHEIM,POM,T17.9,55	SA	1
19	DA97-11095A	3	RM061	DA97-07549A	ASSY ICE MAKER; GUGGENHEIM,220~240V,50Hz,	SA	1
20	DA90-05256F	2	RO282	DA97-06768A	ASSY TRAY-DISP; GUGGENHEIM,T0.6,W238.7,L1	SA	1
21	DA90-05256F	2	RO486	DA61-04386D	CASE-TRAY DISPENSER; GUGGENHEIM,ABS,-,W23	SA	1
22	DA90-05270A	2	RD351	DA63-05013A	GUARD FRE-UPP; GUGGENHEIM,HIPS,COOL WHITE	SA	1
23	DA97-11879D	3	RR163	DA63-04367C	COVER-DISPENSER; GUGGENHEIM,ABS,W235.1,L8	SA	1
24	DA97-11879D	3	RE159	DA64-02566A	BUTTON-ICE DISPENSER; AW2,ABS,42.6*23.0,-	SA	1
25	DA97-11879D	3	RE158	DA64-02567A	BUTTON-WATER DISPENSER; AW2,ABS,42.6*23.0	SA	1
26	DA97-11879D	3	RI147	DA97-02847A	ASSY-LAMP DOOR; EPEL,LED TYPE,-,-	SA	1
27	DA97-11879D	3	RO464	DA63-04361B	COVER-PCB PANEL REAR; GGH,HIPS,NTR	SA	1
28	DA99-01991E	3	RO012	DA97-07848A	ASSY HANDLE-REF; GGH09,ASSY	SA	2
28-1	DA97-07848A	4	RO485	DA61-03378A	SUPPORT-HANDLE; HERMES,ALDC12,-,-,-,DIE	SA	4
28-2	DA97-07848A	4	RR331	6009-001512	SCREW-SPECIAL; BH,+,-,M4,L16,ZPC(WHT),SWR	SA	4

5. fridge door

Exploded View



Parts List

No.	Parent	Lvl.	Loc.	Material Code	Description & Specification	SNA	Qty.
1	DA90-05259F	2	RE016	DA97-04568P	ASSY-GASKET DOOR REF; GUGGENHEIM,SC-9748	SA	1
2	DA90-05259F	2	RE001	DA91-03690A	ASSY DOOR FOAM REF; GGH,DAC-GR0802RS,BASI	SA	1
3	DA97-06537A	5	RE439	DA61-04196A	STOPPER-DOOR R; GUGGENHEIM,SHP1,T3.0,-,-,	SA	1

No.	Parent	Lvl.	Loc.	Material Code	Description & Specification	SNA	Qty.
4	DA97-06537A	5	RD203	DA66-00557A	CAM HINGE-RISER UPP R; GUGGENHEIM,NY-66,-	SA	1
5	DA90-05565B	2	RE028	DA97-06178A	ASSY GUARD-DAIRY; GUGGENHEIM,-,-,-,-,-	SA	1
5-1	DA97-06178A	3	RE390	DA63-04197A	GUARD-DAIRY; GUGGENHEIM,HIPS,-,-,-,COOL-W	SA	1
5-2	DA97-06178A	3	RE034	DA63-04198A	COVER-DAIRY; GUGGENHEIM,GPPS,-,-,-,-,TR	SA	1
6	DA90-05565B	2	RI385	DA97-06549C	ASSY-CAN CARRY; GUGGENHEIM,NO ELECTRO POL	SA	1
6-1	DA97-06549C	3	RI369	DA61-04399A	SUPPORT-RACK CAN CARRY; GUGGENHEIM,HIPS,-	SA	1
6-2	DA97-06549C	3	RI394	DA75-00209B	RACK-CAN CARRY; GUGGENHEIM,STS204,OD4.5,T	SA	1
7	DA90-05565B	2	RE203	DA97-06177C	ASSY GUARD-REF UPP; GUGGENHEIM,-,-,-,-,-	SC	1
8	DA97-08024A	3	RE203	DA97-06177C	ASSY GUARD-REF UPP; GUGGENHEIM,-,-,-,-,-	SC	1
9	DA90-05565B	2	RI161	DA97-06175E	ASSY GUARD-REF LOW; GUGGENHEIM,-,-,-,-,Da	SC	1
10	DA97-06871A	3	RI161	DA97-06175F	ASSY GUARD-REF LOW; GUGGENHEIM,-,-,-,-,Da	SA	1
11	DA99-01991E	3	RO012	DA97-07848A	ASSY HANDLE-REF; GGH09,ASSY	SA	2
11-1	DA97-07848A	4	RO485	DA61-03378A	SUPPORT-HANDLE; HERMES,ALDC12,-,-,-,-,DIE	SA	4
11-2	DA97-07848A	4	RR331	6009-001512	SCREW-SPECIAL; BH,+,-,M4,L16,ZPC(WHT),SWR	SA	4