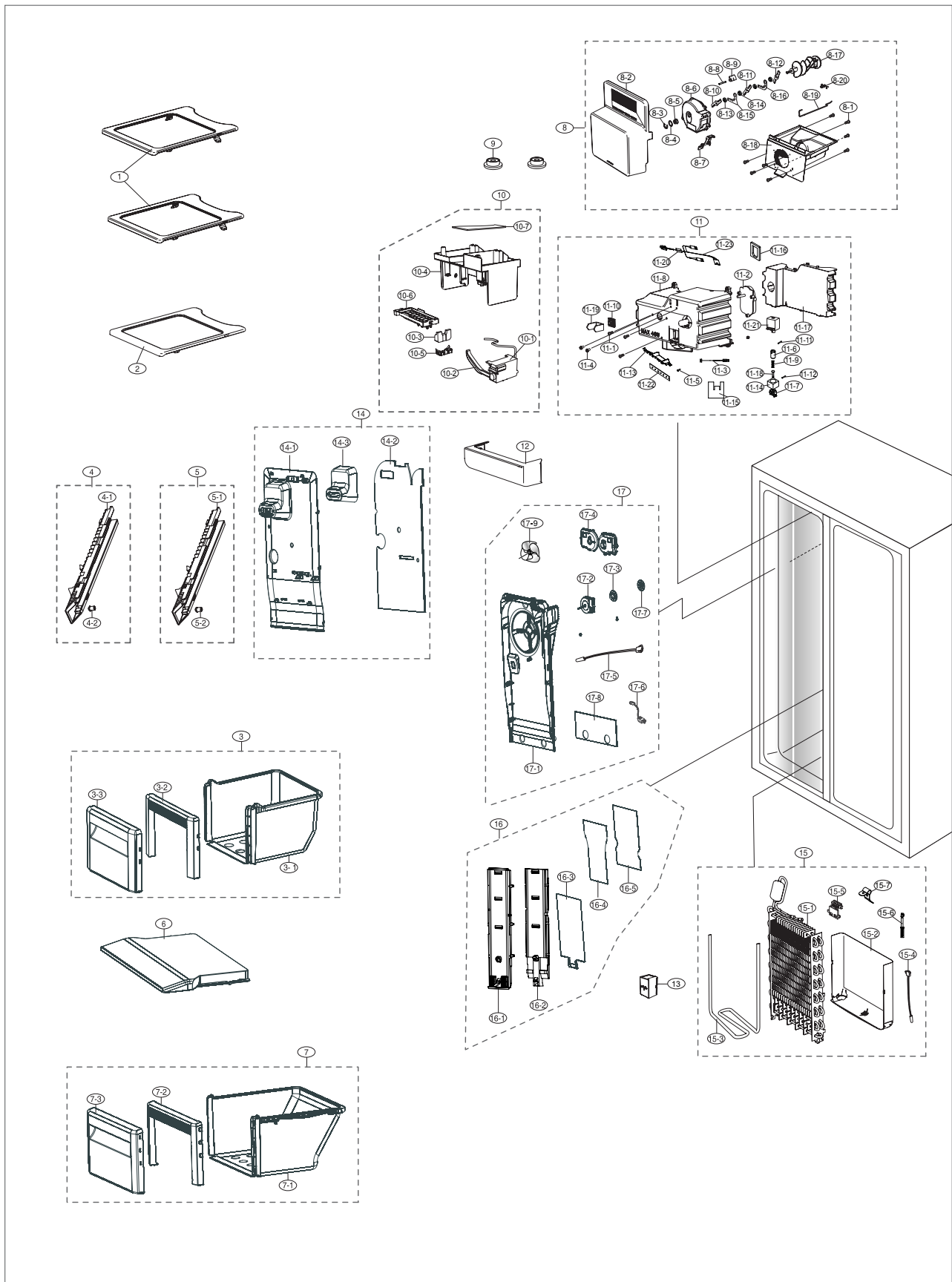


EXPLODED VIEW PART LIST

Freezer



EXPLODED VIEW PART LIST

• Parts List of Freezer

| NO | CODE NO | PART NAME | Specification | Quantity | SA/SNA | SVC NO |
|------|-------------|---------------------------|--------------------------------|----------|--------|--------|
| 1 | DA67-03362A | SHELF FRE-HIGH | ES-PJT,SSEC,PP+GLASS,COOL | 2 | SA | - |
| 2 | DA67-03363A | SHELF FRE-LOW | ES-PJT,SSEC,PP+GLASS,COOL | 1 | SA | Z1179 |
| 3 | DA97-14362A | ASSY CASE BASKET-UP | ES-PJT,SSEC | 2 | SA | - |
| 3-1 | DA61-04009A | CASE-BASKET HIGH | ES-PJT,SSEC,PP,-,-,-,- | 2 | SNA | - |
| 3-2 | DA63-04045A | COVER-BASKET FORNT HIGH B | ES-PJT,SSEC,HI | 2 | SNA | - |
| 3-3 | DA63-04044B | COVER AIR | ES-PJT,SSEC,GPPS,HB,-,PG383M,t | 2 | SNA | - |
| 4 | DA97-01291B | ASSY RAIL-BASKET L(ET) | ET-PJT,Cool-white | 2 | SA | - |
| 4-1 | DA61-00044C | RAIL-BASKET L(ET) | ET-PJT,HIPS,-,-,-,COOL | 2 | SNA | - |
| 4-2 | DA63-05275A | GROMMET-RAIL | ES-PJT,SSEC,NY-6,SC-93437R | 2 | SNA | - |
| 5 | DA97-01292B | ASSY RAIL-BASKET R(ET) | ET-PJT,Cool-white | 2 | SA | - |
| 5-1 | DA61-00045C | RAIL-BASKET R(ET) | ET-PJT,HIPS,-,-,-,COOL | 2 | SNA | - |
| 5-2 | DA63-05275A | GROMMET-RAIL | ES-PJT,SSEC,NY-6,SC-93437R | 2 | SNA | - |
| 6 | DA63-03960A | COVER-BASKET HIGH | ES-PJT,SSEC,HIPS,-,-,- | 1 | SA | A1182 |
| 7 | DA97-14363A | ASSY CASE BASKET-LOW | ES-PJT,SSEC | 1 | SA | A1186 |
| 7-1 | DA61-04046A | CASE-BASKET LOW | ES-PJT,SSEC,PP,-,-,-,- | 1 | SNA | G0407 |
| 7-2 | DA63-04042A | COVER-BASKET FRONT LOW B | ES-PJT,SSEC,HIP | 1 | SNA | - |
| 7-3 | DA63-04044B | COVER AIR | ES-PJT,SSEC,GPPS,HB,-,PG383M,t | 2 | SNA | - |
| 8 | DA97-06072E | ASSY TRAY-ICE BUCKET | ES,2008GVE,-,-,-,- | 1 | SA | M0122 |
| 8-1 | 6002-001204 | SCREW-TAPPING | BH,+,-,1,M4,L16,DACRO,SWRC | 8 | SNA | G0412 |
| 8-2 | DA63-04019A | COVER-ICE BUCKET | ES-PJT,SSEC,PP,-,-,-,- | 1 | SNA | M0428 |
| 8-3 | DA60-00185A | FASTENER-RING | ES-PJT,SSEC,SK-5H,-,T1.6,- | 1 | SNA | M0319 |
| 8-4 | DA60-00186A | FASTENER-WASHER | ES-PJT,SSEC,STAINLESS-ST | 1 | SNA | - |
| 8-5 | DA61-03972A | FIXER-AUGER | ES-PJT,SSEC,POM,-,-,AUGER,L1 | 1 | SNA | - |
| 8-6 | DA63-03935A | COVER-CRUSHER DISP | ES-PJT,SSEC,HIPS,W145 | 1 | SNA | - |
| 8-7 | DA61-03864A | GUIDE-ICE DISPENSER | ES-PJT,SSEC,HIPS,-,- | 1 | SNA | - |
| 8-8 | DA61-03969A | FIXER-SPIRAL | ES-PJT,SSEC,STS304,T1.0,-,P | 1 | SNA | - |
| 8-9 | DA61-03865A | FIXER-BLADE | ES-PJT,SSEC,POM,-,NTR,- | 1 | SNA | - |
| 8-10 | DA31-00205A | BLADE-MOVING C | ES-PJT,SSEC,STS304,T2.0 | 1 | SNA | - |
| 8-11 | DA31-00206A | BLADE-MOVING B | ES-PJT,SSEC,STS304,T2.0 | 1 | SNA | - |
| 8-12 | DA31-00207A | BLADE-MOVING A | ES-PJT,SSEC,STS304,T2.0 | 1 | SNA | - |
| 8-13 | DA61-04262A | SUPPORT-BLADE B | ES-PJT,SSEC,POM,-,-,-,NT | 2 | SNA | - |
| 8-14 | DA61-04261A | SUPPORT-BLADE A | ES-PJT,SSEC,POM,-,-,-,NT | 2 | SNA | - |
| 8-15 | DA31-00209A | BLADE-STATIONARY DISP OUT | ES-PJT,SSEC,ST | 1 | SNA | - |
| 8-16 | DA31-00208A | BLADE-STATIONARY DISP IN | ES-PJT,SSEC,STS | 1 | SNA | - |
| 8-17 | DA65-00049A | CLAMPER CORE-HELIX | ES-PJT,SSEC,POM+STS30 | 1 | SNA | M0305 |
| 8-18 | DA63-03934A | TRAY ICE-BUCKET | ES-PJT,SSEC,PP,-,-,-,-,C | 1 | SNA | M0427 |
| 8-19 | DA66-00529A | LEVER-CUBE | ES-PJT,SSEC,MSWR10,-,-,-,-,- | 1 | SNA | M0193 |
| 8-20 | DA61-03947A | SPRING ETC-DISPENSE | ES-PJT,SSEC,STS304,O | 1 | SNA | - |
| 9 | DA61-03916A | FIXER GROMMET-DOOR | ES-PJT,SSEC,ABS,-,COO | 2 | SNA | G0200 |
| 10 | DA97-05806A | ASSY ICE MAKER-MECH | ES-PJT,SSEC,-,-,-,-,- | 1 | SA | M0247 |
| 10-1 | DA59-00294A | ICE MAKER-ASSY | NTGN,DC12V,-,-,-,- | 1 | SNA | - |
| 10-2 | DA61-03923A | GUIDE-ICE FULL | ES-PJT,SSEC,ABS,NTR | 1 | SNA | Z1221 |
| 10-3 | DA61-01800A | FIXER-SENSOR(ICE MAKER) | AD,URETHANE,-,-,- | 1 | SNA | - |

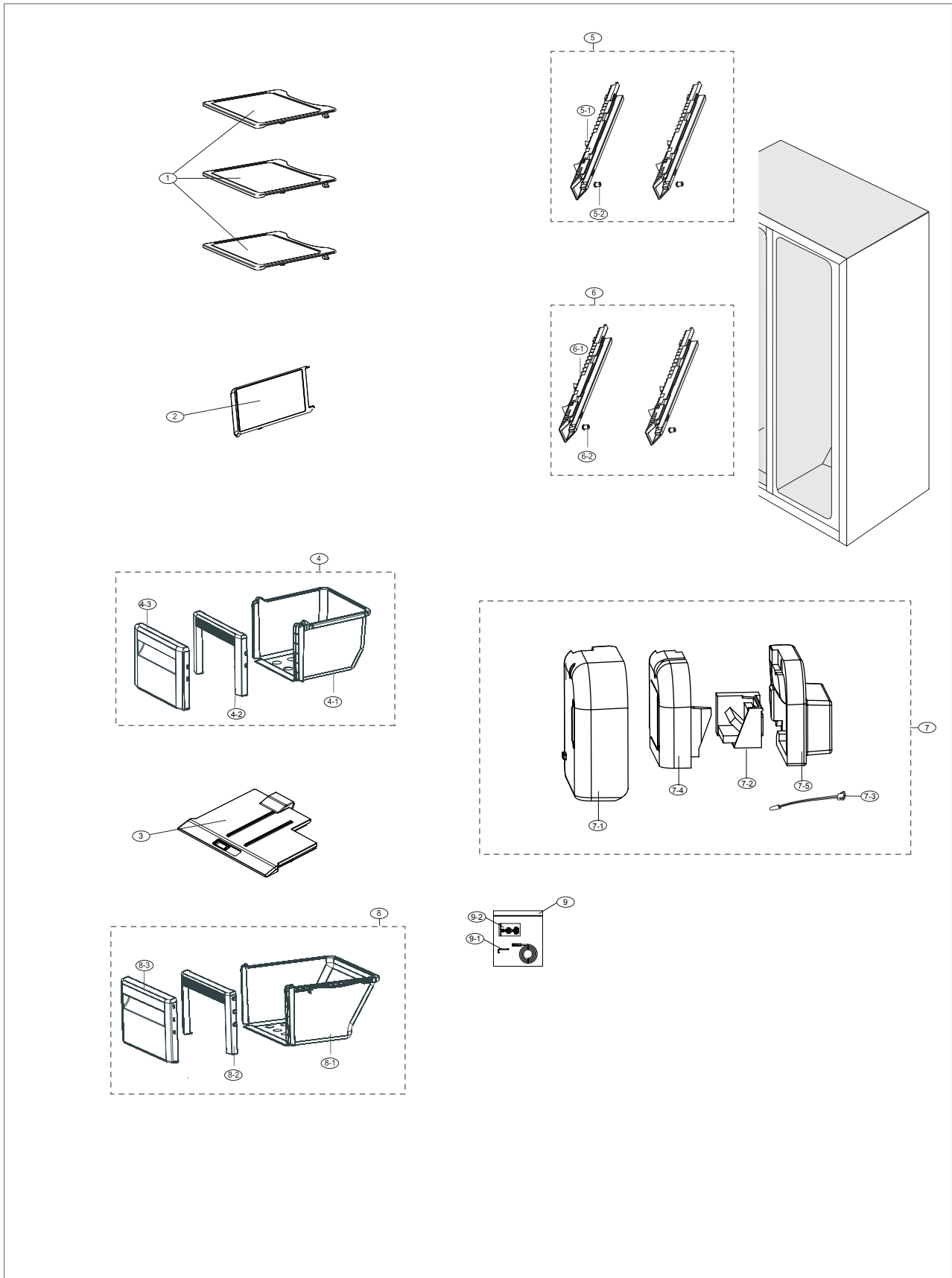
EXPLODED VIEW PART LIST

• Parts List of Freezer

| NO | CODE NO | PART NAME | Specification | Quantity | SA/SNA | SVC NO |
|-------|-------------|----------------------------|---------------------------------|----------|--------|--------|
| 10-4 | DA61-03902A | SUPPORT-ICE MAKER | ES-PJT,SSEC,HIPS,-,-,- | 1 | SNA | Z1244 |
| 10-5 | DA63-03956A | COVER-SENSOR | ES-PJT,SSEC,PP,T1.0,-,-,- | 1 | SNA | - |
| 10-6 | DA63-03951A | TRAY ICE | ES-PJT,SSEC,PP,-,W180,-,-,NTR,A | 1 | SNA | A0120 |
| 10-7 | DA62-01678A | SEAL-SUPPORT ICE MAKER | ES-PJT,SSEC,FOAM- | 1 | SNA | - |
| 11 | DA97-08802G | ASSY CASE-AUGER MOTOR | ES,LED,GVE,5EA,220 | 1 | SA | M0069 |
| 11-1 | 6002-001335 | SCREW-TAPPING | BH,+,-,1,M4,L16,DACRO,SWRC | 3 | SNA | G0412 |
| 11-2 | DA31-00105F | MOTOR GEARED-AUGER | ISG3240SSH-1,OVER 72K | 1 | SA | M0199 |
| 11-3 | DA39-00439C | WIRE HARNESS-LED FRE | ES,Z,U,D,J,K,LED LA | 1 | SNA | - |
| 11-4 | DA60-00001B | SCREW-SPECIAL | HEX,-,-,-,L8.3,PASS,STS304 | 3 | SNA | T0036 |
| 11-5 | DA60-10130B | SCREW-TAPPING | BH,+,-,1,M4,L16,DACRO,SWRC | 1 | SNA | G0412 |
| 11-6 | DA61-03867A | BUSH-SOLENOID | ES-PJT,SSEC,POM,SC-93438R, | 1 | SNA | M0263 |
| 11-7 | DA61-03868A | SLIDER-SOLENOID DISP | ES-PJT,SSEC,POM,-,- | 1 | SNA | - |
| 11-8 | DA61-03869A | CASE-AUGER MOTOR | ES-PJT,SSEC,PP,-,-,-,NT | 1 | SNA | M0393 |
| 11-9 | DA61-03946A | SPRING ETC-SOLENOID | ES-PJT,SSEC,STS304,I | 1 | SNA | - |
| 11-10 | DA61-03950A | FIXER-NUT | ES-PJT,SSEC,STS420+SK5,CLIP | 1 | SNA | M0166 |
| 11-11 | DA61-03971A | FIXER-SPRING A | ES-PJT,SSEC,STS304,-,-,L2 | 1 | SNA | - |
| 11-12 | DA61-03971B | FIXER-SPRING B | ES-PJT,SSEC,STS304,-,-,L1 | 1 | SNA | - |
| 11-13 | DA61-05813A | SUPPORT-LED FRE,Z | HIPS,2.0,144.7,NTR,LED | 1 | SNA | - |
| 11-14 | DA62-01812A | SEAL-SOLENOID | ES-PJT,SSEC,FOAM-PE,GRAY,T | 1 | SNA | - |
| 11-15 | DA62-01826A | SEAL-CASE AUGER IN | ES-PJT,SSEC,FOAM-PE,G | 1 | SNA | - |
| 11-16 | DA62-01829A | SEAL-COVER AUGER REAR | ES-PJT,SSEC,OJC-30 | 1 | SNA | - |
| 11-17 | DA63-03933A | COVER-AUGER MOTOR | ES-PJT,SSEC,PP,-,-,-,- | 1 | SNA | - |
| 11-18 | DA66-00519A | GEAR-SOLENOID | ES-PJT,SSEC,POM,SC-93438R, | 1 | SNA | M0280 |
| 11-19 | DA70-00511B | PLATE-D/AUGER DISP | ES-PJT,SSEC,STS304 | 1 | SA | - |
| 11-20 | DA72-00583E | SEAL CUTT | SSEC-MODEL,PU SPONGE,BLACK,T5, | 0.0075 | SNA | G0046 |
| 11-21 | DA74-40151F | VALVE-SOLENOID | SR-S6586B,-,-,-,-,CUBE-SN | 1 | SA | M0234 |
| 11-22 | DA92-00150A | ASSY PCB KIT | L140*25*1.6mm | 1 | SA | Z1144 |
| 11-23 | DA96-00451C | ASSY W/HARNESS-SUB | ES-PJT,SSEC,HOUSING V | 1 | SNA | - |
| 12 | DA63-04041A | COVER LAMP-FRE | ES-PJT,SSEC,PP,-,-,-,-,- | 1 | SA | - |
| 13 | DA63-03788B | COVER-FIXER HOUSING | W07,SGCC,T0.4 | 1 | SA | M0273 |
| 14 | DA97-06068A | ASSY COVER-MULTI FRE FRONT | ES-PJT,SSEC,- | 1 | SA | A1216 |
| 14-1 | DA63-04022A | COVER-MULTI FRE FRONT | ES-PJT,SSEC,PP,-,- | 1 | SNA | A1218 |
| 14-2 | DA62-01823A | SEAL-MULTI FRE FRONT | ES-PJT,SSEC,FOAM-PE | 1 | SNA | - |
| 14-3 | DA62-01723A | INSULATION-AIR GUIDE | ES-PJT,SSEC,FOAM-PS | 1 | SNA | - |
| 15 | DA96-00442E | ASSY EVAP FRE | ES-PJT,09,AL,230V,50HZ,300 | 1 | SA | A0162 |
| 15-1 | DA59-00372C | EVAP FRE | ES-PJT,09,FIN PIPE,AL,50HZ,300W | 1 | SNA | A0742 |
| 15-2 | DA61-04026A | PLATE-DRAIN | ES-PJT,SSEC,GALVA,-,-,-,-,- | 1 | SA | A0754 |
| 15-3 | DA47-00279C | HEATER-METAL SHEATH | -,ES-PJT,SSEC,-,300W | 1 | SA | A0921 |
| 15-4 | DA32-00024L | SENSOR TEMP | 502AT,ES-PJT,SSEC,-,5V,-,-,F | 1 | SA | A1018 |
| 15-5 | DA61-00603A | FIXER-SENSOR | n-PJT,PP,-,-,- | 1 | SNA | T0066 |
| 15-6 | DA47-10148U | THERMO FUSE-ASSY | ES-PJT,250V,10A,110□,G4 | 1 | SA | A1008 |
| 15-7 | DA61-07451A | PLATE-EVAP HEATER | NW2,AL,T0.7 | 1 | SA | M9010 |

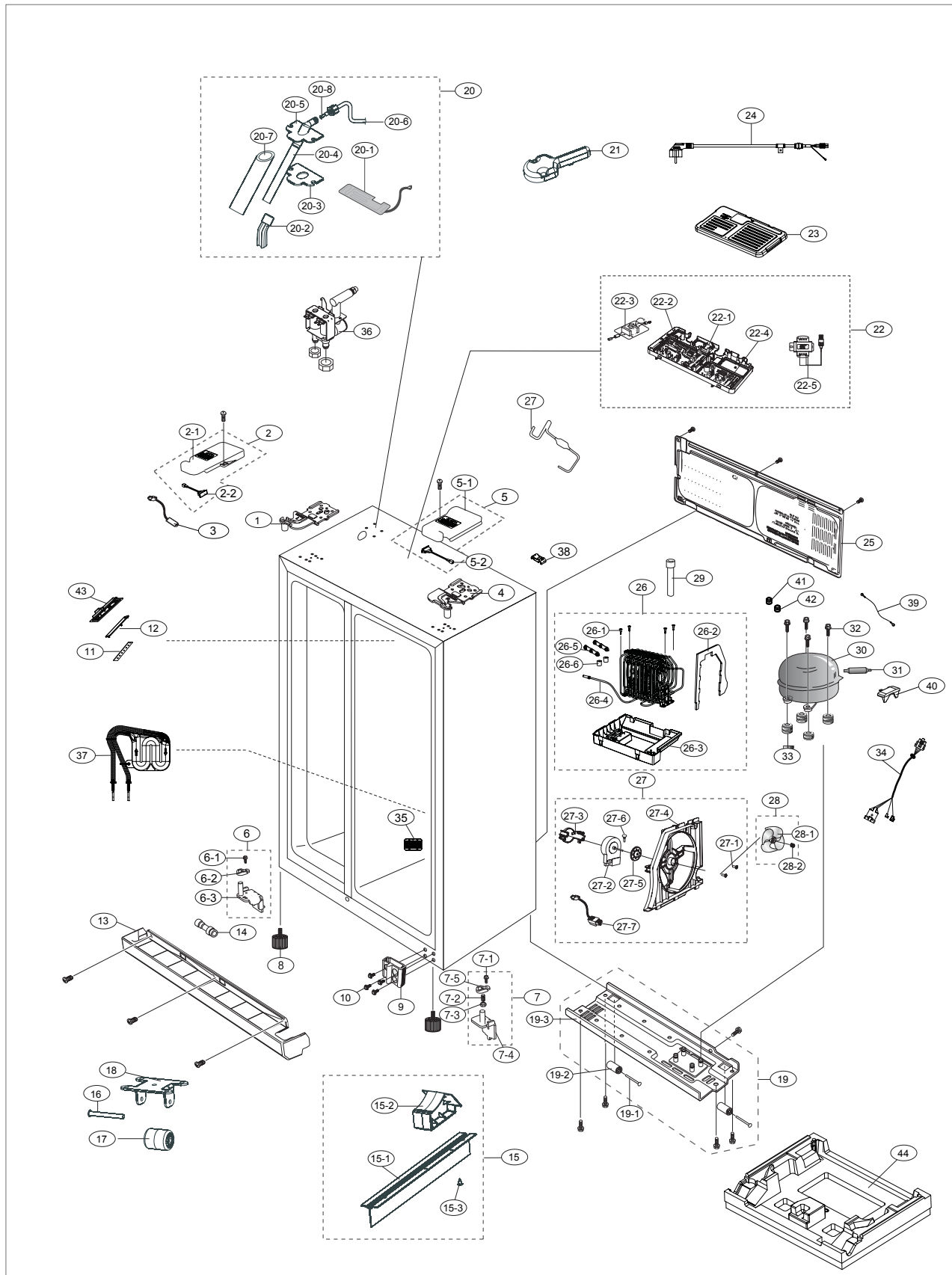
EXPLODED VIEW PART LIST

Fridge



EXPLODED VIEW PART LIST

Cabinet



EXPLODED VIEW PART LIST

• Parts List of Cabinet

| NO | CODE NO | PART NAME | Specification | Quantity | SA/SNA | SVC NO |
|------|-------------|----------------------------|--------------------------------|----------|--------|--------|
| 1 | DA61-03933C | HINGE-UPP L | ES-PJT,SSEC,10,SHP1,T3.0,ZPC | 1 | SA | M0286 |
| 2 | DA97-14174D | ASSY COVER HINGE-UP LEFT | ES,SNOW WHITE | 1 | SA | - |
| 2-1 | DA63-03958H | COVER HINGE-UPP L | ES-PJT,SSEC,HIPS,-,-,- | 1 | SNA | A0242 |
| 2-2 | DA34-00046B | SWITCH-REED | KYESH,JST,200V,0.5A,DC,L90 | 1 | SA | Z1142 |
| 3 | DA32-00034B | SENSOR HUMIDITY | SHT20P,POLARIS,5V,1mA,0 | 1 | SA | A1108 |
| 4 | DA61-03932C | HINGE-UPP R | ES-PJT,SSEC,10,SHP1,T3.0,ZPC | 1 | SA | A0813 |
| 5 | DA97-14175D | ASSY COVER HINGE-UP RIGHT | ES,SNOW WHITE | 1 | SA | - |
| 5-1 | DA63-03959H | COVER HINGE-UPP R | ES-PJT,SSEC,HIPS,-,-,- | 1 | SNA | A0244 |
| 5-2 | DA34-00046B | SWITCH-REED | KYESH,JST,200V,0.5A,DC,L90 | 1 | SA | Z1142 |
| 6 | DA97-05765B | ASSY HINGE LOW-L | ES-PJT,SSEC | 1 | SA | M0245 |
| 6-1 | 6003-001435 | SCREW-TAPTYPE | HWH,+ ,S,M5,L12.7,ZPC2(WHT) | 1 | SNA | M0210 |
| 6-2 | DA66-00343A | CAM-RISER | USP05(ATOP,ET),NY-66(2110R),BL | 1 | SNA | M0266 |
| 6-3 | DA61-03941C | HINGE-LOW L | ES-PJT,SSEC,SCP1+SM45C | 1 | SNA | A0947 |
| 7 | DA97-01763F | ASSY HINGE LOW-R | N-PJT,SSEC,ASSY,10.5 GA | 1 | SA | M0246 |
| 7-1 | 6003-001435 | SCREW-TAPTYPE | HWH,+ ,S,M5,L12.7,ZPC2(WHT) | 1 | SNA | M0210 |
| 7-2 | 6011-001442 | BOLT-SOCKET | M8,L15,ZPC(BLK),SCM435,4mm,F | 1 | SNA | - |
| 7-3 | 6021-001125 | NUT-HEXAGON | 3,M8,ZPC(WHT),SWCH10A | 1 | SNA | A0837 |
| 7-4 | DA61-01608E | HINGE-LOW R | N-PJT,SSEC,10,SHP1,T4.5,ZPC(| 1 | SA | - |
| 7-5 | DA66-00343A | CAM-RISER | USP05(ATOP,ET),NY-66(2110R),BL | 1 | SNA | M0266 |
| 8 | DA61-30102A | FOOT-FRONT | SR-F5670,PP,NTR,ZPC2-Y | 2 | SNA | A0577 |
| 9 | DA61-03151C | BRACKET HINGE-LOW | N07-PJT,2008GVE,AL-606 | 1 | SNA | - |
| 10 | DA60-10124A | SCREW-HEX | HWH,-,-,M6,L16,ZPC(WHT,YEL),SW | 4 | SNA | T0072 |
| 11 | DA92-00150C | ASSY PCB KIT | 110*20mm | 1 | SA | Z1144 |
| 12 | DA63-05460B | COVER LAMP | SUPER STAR,GPPS,W35,L145,tran | 1 | SA | A0280 |
| 13 | DA63-04907B | COVER LEG-FRONT | ES09-PJT,SSEC,PP,L916,SN | 1 | SA | A0807 |
| 14 | DA60-00259B | FITTING TUBE | TUBE FITTING B,PP,1/4'-5/16 | 1 | SA | T0094 |
| 15 | DA97-05776A | ASSY TRIM-BLADE | ES-PJT,SSEC,-,-,-,-,NTR, | 1 | SA | A1202 |
| 15-1 | DA64-02382A | TRIM-BLADE | ES-PJT,SSEC,PVC,-,T1.5,-,-,- | 1 | SNA | M0296 |
| 15-2 | DA61-03908A | SUPPORT-TRIM BLADE | ES-PJT,SSEC,PP,T2.0,N | 1 | SNA | - |
| 15-3 | 6001-001122 | SCREW-MACHINE | PH,+,-,M4,L10,ZPC(WHT),SWR | 1 | SNA | A0848 |
| 16 | DA60-90124A | RIVET | -,MSWR10,OD6.0,-,-,L56,-,-,- | 1 | SNA | - |
| 17 | DA61-02514A | CASTER-FRONT | N-PJT,SSEC,PP,ID6.2,OD29.5, | 1 | SNA | M0145 |
| 18 | DA61-03897A | REINF-CASTER FRONT | ES-PJT,SSEC,CR-SCP1 | 1 | SNA | - |
| 19 | DA97-05772C | ASSY CHASSIS-COMP | ES-PJT,SSEC,GVE,-,T1.2 | 1 | SA | A0738 |
| 19-1 | DA60-90146A | PIN-CASTER | SR-289-429,MSWR10,OD6.0,L38,Z | 2 | SNA | - |
| 19-2 | DA61-00190A | CASTER | SR-32,PP,-,-,-,-,WHIRLPOOL | 2 | SNA | - |
| 19-3 | DA64-02381C | CHASSIS COMP | ES-PJT,SSEC,SGCC,T1.2,-,-,- | 1 | SNA | A0739 |
| 20 | DA97-05803A | ASSY PIPE-WATER FRE | ES-PJT,SSEC,230V/10W | 1 | SA | - |
| 20-1 | DA47-00270A | HEATER-WATER PIPE | -,ES-PJT,SSEC,-,6W,-,2 | 1 | SA | Z1218 |
| 20-2 | DA63-03946A | GROMMET-WATER PIPE FILL IN | ES-PJT,SSEC,S | 1 | SNA | - |
| 20-3 | DA62-01680A | SEAL-PIPE WATER | ES-PJT,SSEC,FOAM-PE,GRAY | 1 | SNA | - |
| 20-4 | DA62-01683A | PIPE-AL | ES-PJT,SSEC,AL,- | 1 | SNA | - |
| 20-5 | DA62-01672A | PIPE-WATER FRE A | ES-PJT,SSEC,PP,ID6.5,OD | 1 | SNA | - |

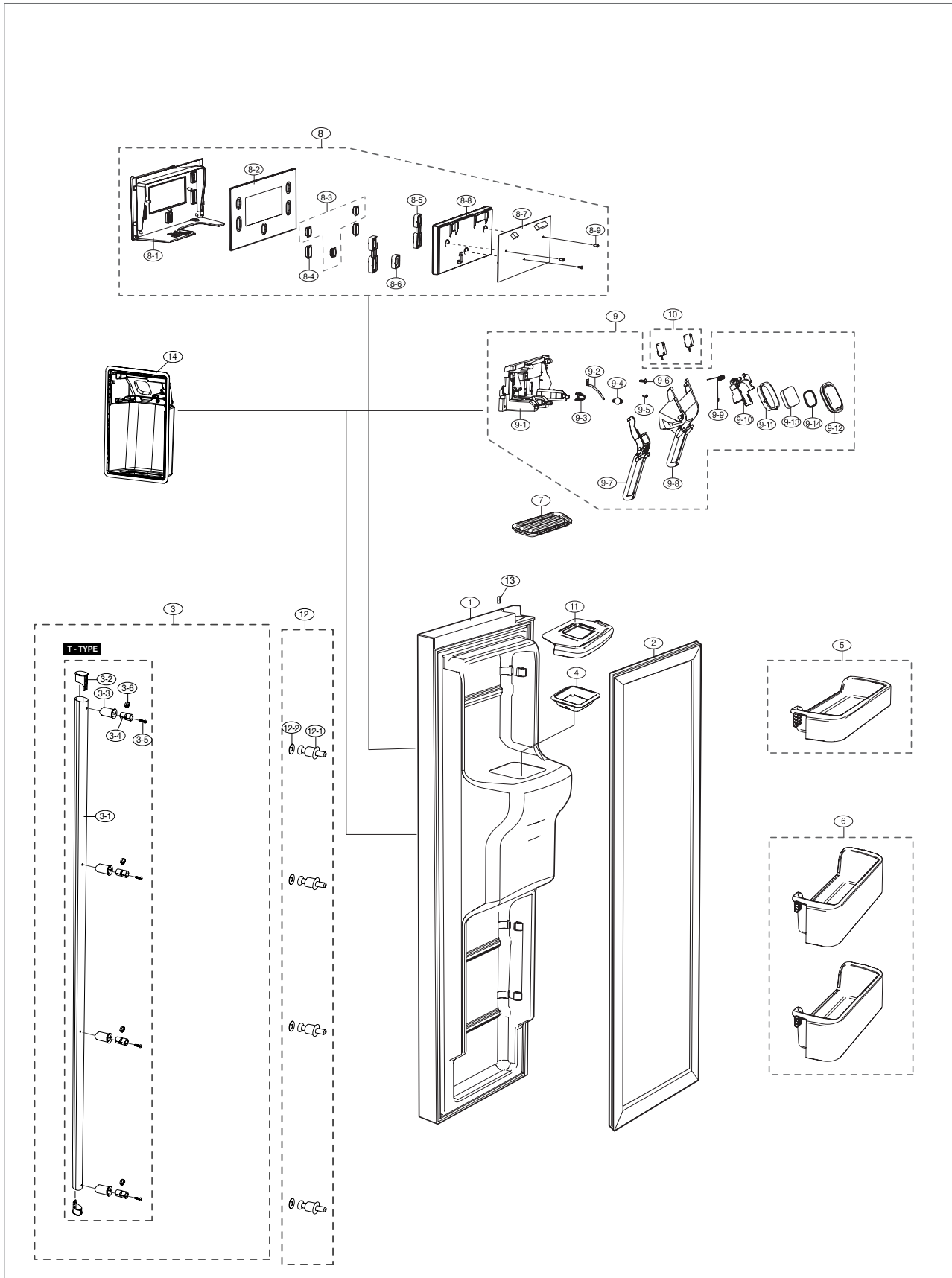
EXPLODED VIEW PART LIST

• Parts List of Cabinet

| NO | CODE NO | PART NAME | Specification | Quantity | SA/SNA | SVC NO |
|------|-----------------|----------------------------|--------------------------------|----------|--------|--------|
| 20-6 | DA62-01368A | PIPE-WATER LINE | LLDPE,WHITE,I.D4.2, O.D6 | 2 | SNA | - |
| 20-7 | DA62-01670A | SEAL-TUBE | ES-PJT,SSEC,FOAM-PE,GRAY,-,PIP | 1 | SNA | - |
| 20-8 | DA61-03903A | FIXER VALVE WATER-B | ES-PJT,SSEC,NY66,NTR | 1 | SNA | - |
| 21 | DA63-03952B | COVER PIPE-WATER | ES-PJT,SSEC,PP,-,-,-,-,-, | 1 | SA | - |
| 22 | DA97-12199G | ASSY CASE PCB-MAIN | ES-PJT,SSEC,Z-OPTION, | 1 | SNA | A1138 |
| 22-1 | DA61-03917B | CASE PCB-PANEL | ES-PJT,SSEC,N-PP,COOL WHI | 1 | SA | A0927 |
| 22-2 | DA92-00286R | ASSY PCB MAIN | ES-PJT,SSEC,T1.6,L247,FRE | 1 | SA | A0952 |
| 22-3 | DA27-00027D | COIL FILTER | ES,8mH,24,82*60,-25 ~ +85 □ | 1 | SA | M0489 |
| 22-4 | DA92-00279B | ASSY PCB SUB INVERTER | 200-240V,50Hz/60Hz | 1 | SA | M0309 |
| 22-5 | DA27-00021A | COIL FILTER-REACTOR | ES-PJT(INVERTER),7.5 | 1 | SNA | A1195 |
| 23 | DA63-03963A | COVER PCB-PANEL | ES-PJT,SSEC,SBHG1,T0.4,W | 1 | SA | G0089 |
| 24 | DA96-00929A | ASSY POWER CORD | UCP-2,EUROPE,16A,H05VV-F | 1 | SA | Z1187 |
| 25 | DA97-06758F | ASSY COVER COMP | ES10-PJT,SSEC,T0.4,INVER | 1 | SA | M0076 |
| 26 | DA94-00213D | ASSY TRAY DRAIN-WATER | -,-,-,-,-,ES-PJT | 1 | SA | Z1176 |
| 26-1 | 6009-001252 | SCREW-SPECIAL | HEX,-,-,-,L8.3,PASS,STS304 | 4 | SNA | T0035 |
| 26-2 | DA62-03062E | SEAL CUTT-SPONGE | ES-PJT,SSEC,SPONGE,-,T5 | 1 | SNA | G0019 |
| 26-3 | DA63-03936B | TRAY DRAIN-WATER | ES-PJT,PP,BLK,SCRAP | 1 | SNA | Z1023 |
| 26-4 | DA97-05807B | ASSY PIPE-SIPRAL CONDENSER | ES-PJT,SSEC,G | 1 | SA | A0999 |
| 26-5 | DA63-40128A | GROMMET-SUB COND | -,-,NBR,-,-,-,-,-,DARK- | 2 | SNA | M0181 |
| 26-6 | DA63-40171B | GROMMET-SUCT PIPE A | -,-,NBR,OD20,ID4,L20,- | 2 | SNA | M0333 |
| 27 | DA97-05808A | ASSY SUPPORT-CIRCUIT MOTOR | ES-PJT,SSEC,- | 1 | SA | M0116 |
| 27-1 | DA60-10130G | SCREW-TAPPING | BH,+,-,1,M4,L16,DACRO,SWRC | 2 | SNA | G0412 |
| 27-2 | DA31-00146B | MOTOR BLDC | DREP3030LA,1375 RPM,-,DC12V,- | 1 | SA | A0998 |
| 27-3 | DA61-03870A | BRACKET-CIRCUIT MOTOR | ES-PJT,SSEC,ABS,-, | 1 | SNA | A0908 |
| 27-4 | DA61-03871C | SUPPORT-CIRCUIT MOTOR | ES-PJT,SSEC,ABS,T2 | 1 | SNA | A0907 |
| 27-5 | DA63-01146A | GROMMET-MOTOR,REAR | A-TOP,NBR,BLACK,BLDC | 1 | SNA | M0179 |
| 27-6 | DA63-40167A | GROMMET-COVER CHIL | SILICON,L16,WHITE | 1 | SNA | M2002 |
| 27-7 | DA96-00042L | ASSY W/HARNESS-MOTOR | ES-PJT,SSEC,F-FAN | 1 | SNA | G0088 |
| 28 | DA31-00010D | FAN-ASSY | ET,ZIPEL,ABS+GF,UNIT,φ150 | 1 | SNA | A0905 |
| 28-1 | DA31-00015C | FAN-TURBO | ET-PJT,ABS+GF,GR-4010 | 1 | SNA | - |
| 28-2 | DA61-20128A | SPRING ETC-FAN | STS304,PI8.8,ID7.8,OD9.8, | 1 | SNA | A0768 |
| 29 | DA97-00359A | ASSY TUBE-DRAIN | ET-PJT,- | 1 | SNA | A1100 |
| 30 | ENV4A5GL2.J/SJ1 | COMPRESSOR | BLDC IPM,15.32CC,220-240V,FAN | 1 | SA | Z1180 |
| 31 | DA62-01469H | DRYER | W07,CU,OD18.8,T0.46,L115 | 1 | SA | A0669 |
| 32 | DA60-20008A | BOLT-HEX | SWCH45K,WHITE,ZPC | 4 | SA | A0564 |
| 33 | DA63-02617A | GROMMET COMP | USP05,EPDM,OD27.0,BLACK | 4 | SA | Z1112 |
| 34 | DA39-00154H | WIRE HARNESS-COMP | 35151-061*,2005820-1,F | 1 | SA | A0035 |
| 35 | DA63-01077C | COVER-PURIFIER | ES,2008GVE,HIPS,NTR | 1 | SA | A0985 |
| 36 | DA97-02682A | ASSY VALVE WATER | EPEL,-,-,-,-,- | 1 | SA | M0315 |
| 37 | DA97-05786B | ASSY TANK WATER | ES-PJT,SSEC,-,-,-,-,-,-,-, | 1 | SA | M0042 |
| 38 | DA61-03872C | FIXER HOSE-REAR FRAME | ES-PJT,VE,HIPS,NTR | 1 | SA | - |
| 39 | DA39-20389C | WIRE HARNESS-EARTH | 1,YELLOW/GREEN,ST 710 | 1 | SA | A0562 |

EXPLODED VIEW PART LIST

Freezer Door



EXPLODED VIEW PART LIST

• Parts List of Freezer Door

| NO | CODE NO | PART NAME | Specification | Quantity | SA/SNA | SVC NO |
|------|-------------|-----------------------------|-------------------------------|----------|--------|--------|
| 1 | DA91-02992F | ASSY DOOR FOAM FRE | ES,SSEC,WP,D,J,K,U,Z, | 1 | SA | A0051 |
| 2 | DA63-07738A | GASKET DOOR-FRE | ES-PJT,PVC,GRAY | 1 | SA | A0081 |
| 3 | DA97-06256M | ASSY HANDLE | ES-PJT,SSEC,ABS,T2.5,SNOW WH | 1 | SA | A0553 |
| 3-1 | DA64-02389D | HANDLE BAR | ES-PJT,SSEC,ABS,L1633,SNOW WH | 1 | SNA | A0265 |
| 3-2 | DA67-01886G | CAP-HANDLE | ES-PJT,SSEC,ABS,SNOW WHITE,SP | 2 | SNA | M0062 |
| 3-3 | DA67-01887D | CAP-SUPT HANDLE | ES-PJT,SSEC,ABS,L29.6,SN | 4 | SNA | - |
| 3-4 | DA61-03906A | SUPPORT-HANDLE | ES-PJT,SSEC,ABS+PC | 4 | SNA | - |
| 3-5 | 6002-001109 | SCREW-TAPPING | BH,+,-,1,M4,L16,DACRO,SWRC | 4 | SNA | G0412 |
| 3-6 | DA61-03951A | STOPPER-HANDLE | ES-PJT,SSEC,SK5,-,-,-,-,- | 4 | SNA | - |
| 4 | DA67-01865A | CAP-CHUTE ICE | ES-PJT,SSEC,ABS,T1.8,W106, | 1 | SA | M0139 |
| 5 | DA63-04017A | GUARD FRE-UPP | ES-PJT,SSEC,PP,-,-,-,COOL | 1 | SA | A0623 |
| 6 | DA63-03996B | GUARD FRE-LOW | ES-PJT,ADD FILM,PP,COOL WH | 2 | SA | A0622 |
| 7 | DA63-04001D | TRAY DISPENSER | ES-PJT,SSEC,ABS,SNOW WHIT | 1 | SA | M0026 |
| 8 | DA97-06018A | ASSY COVER DISPLAY | ES-PJT,SSEC,-,-,EN,FR | 1 | SA | A0260 |
| 8-1 | DA63-04027A | COVER DISPLAY | ES-PJT,SSEC,PP,W125,L240.6 | 1 | SA | A0278 |
| 8-2 | DA63-04213A | COVER DISPLAY-SUB | ES-PJT,SSEC,ACRYL,T3,L | 1 | SNA | - |
| 8-3 | DA64-02384A | BUTTON-CONTROL B | ES-PJT,SSEC,ABS+PMMA,L1 | 3 | SNA | - |
| 8-4 | DA64-02387A | BUTTON-CONTROL A | ES-PJT,SSEC,ABS+PMMA,-, | 2 | SNA | - |
| 8-5 | DA63-03944A | GROMMET-BUTTON CONTROL A | ES-PJT,SSEC,SIL | 2 | SNA | - |
| 8-6 | DA63-03945A | GROMMET-BUTTON CONTROL B | ES-PJT,SSEC,SIL | 1 | SNA | - |
| 8-7 | DA41-00533A | ASSY PCB KIT LED | ES-PJT,SSEC,EN,FR-4,W88 | 1 | SA | G0069 |
| 8-8 | DA61-04100A | CASE-PBA DISPLAY | ES-PJT,SSEC,PP,W94.2,L2 | 1 | SNA | A0142 |
| 8-9 | 6002-000319 | SCREW-TAPPING | BH,+,-,1,M4,L16,DACRO,SWRC | 3 | SNA | G0412 |
| 9 | DA97-06021B | ASSY CASE-LEVER DISPENSER | ES-PJT,SSEC,-, | 1 | SA | M0235 |
| 9-1 | DA61-04038B | CASE-LEVER DISPENSER | ES-PJT,SSEC,HIPS,NT | 1 | SNA | - |
| 9-2 | DA61-03928A | SPRING ETC-LEVER DISP WATER | ES-PJT,SSEC, | 1 | SNA | - |
| 9-3 | DA61-03909A | BRACKET-OIL DAMPER | ES-PJT,SSEC,ABS,L16.8 | 1 | SNA | - |
| 9-4 | DA61-01869A | OIL DAMPER | AD,PC+POM,120g/Cm,OD15 | 1 | SNA | - |
| 9-5 | 6002-000319 | SCREW-TAPPING | BH,+,-,1,M4,L16,DACRO,SWRC | 1 | SNA | G0412 |
| 9-6 | DA60-10130B | SCREW-TAPPING | BH,+,-,1,M4,L16,DACRO,SWRC | 1 | SNA | G0412 |
| 9-7 | DA66-00521A | LEVER DISPENSER-WATER | ES-PJT,SSEC,SAN,T2 | 1 | SNA | - |
| 9-8 | DA66-00520A | LEVER DISPENSER-ICE | ES-PJT,SSEC,SAN,-,-, | 1 | SNA | - |
| 9-9 | DA61-03929A | SPRING ETC-COVER ICE ROUTE | ES-PJT,SSEC,S | 1 | SNA | M0216 |
| 9-10 | DA63-03950B | COVER-ICE ROUTE A | ES-PJT,SSEC,ABS,-,-,-, | 1 | SNA | - |
| 9-11 | DA63-03939B | COVER-ICE ROUTE B | ES-PJT,SSEC,HIPS,-,-,- | 1 | SNA | - |
| 9-12 | DA63-03941A | GASKET-COVER ICE ROUTE | ES-PJT,SSEC,SILIC | 1 | SNA | - |
| 9-13 | DA62-01669A | SEAL-COVER ICE ROUTE | ES-PJT,SSEC,FOAM-LE | 1 | SNA | - |
| 9-14 | DA62-01710A | SEAL-COVER ICE ROUTE | ES-PJT,SSEC,FOAM-LE | 1 | SNA | - |
| 10 | DA34-00011B | SWITCH MICRO | 250V,16A,Max 200g | 2 | SA | M0225 |
| 11 | DA63-03995A | GUARD FRE-SUB | ES-PJT,SSEC,PP,COOL WHT | 1 | SA | - |
| 12 | DA97-05790B | ASSY BRACKET-HANDLE | ES-PJT,SSEC,SWRC10A, | 4 | SA | A1211 |
| 12-1 | DA61-03927A | BRACKET-HANDLE | ES-PJT,SSEC,SWRC10A,L10.5 | 4 | SNA | - |
| 12-2 | DA63-03943B | GROMMET-HANDLE | ES-PJT,SSEC,SILICON,T1.5, | 4 | SNA | - |
| 13 | DA61-03949A | MAGNET | ES-PJT,SSEC,- | 1 | SA | A0534 |

EXPLODED VIEW PART LIST

Fridge Door

