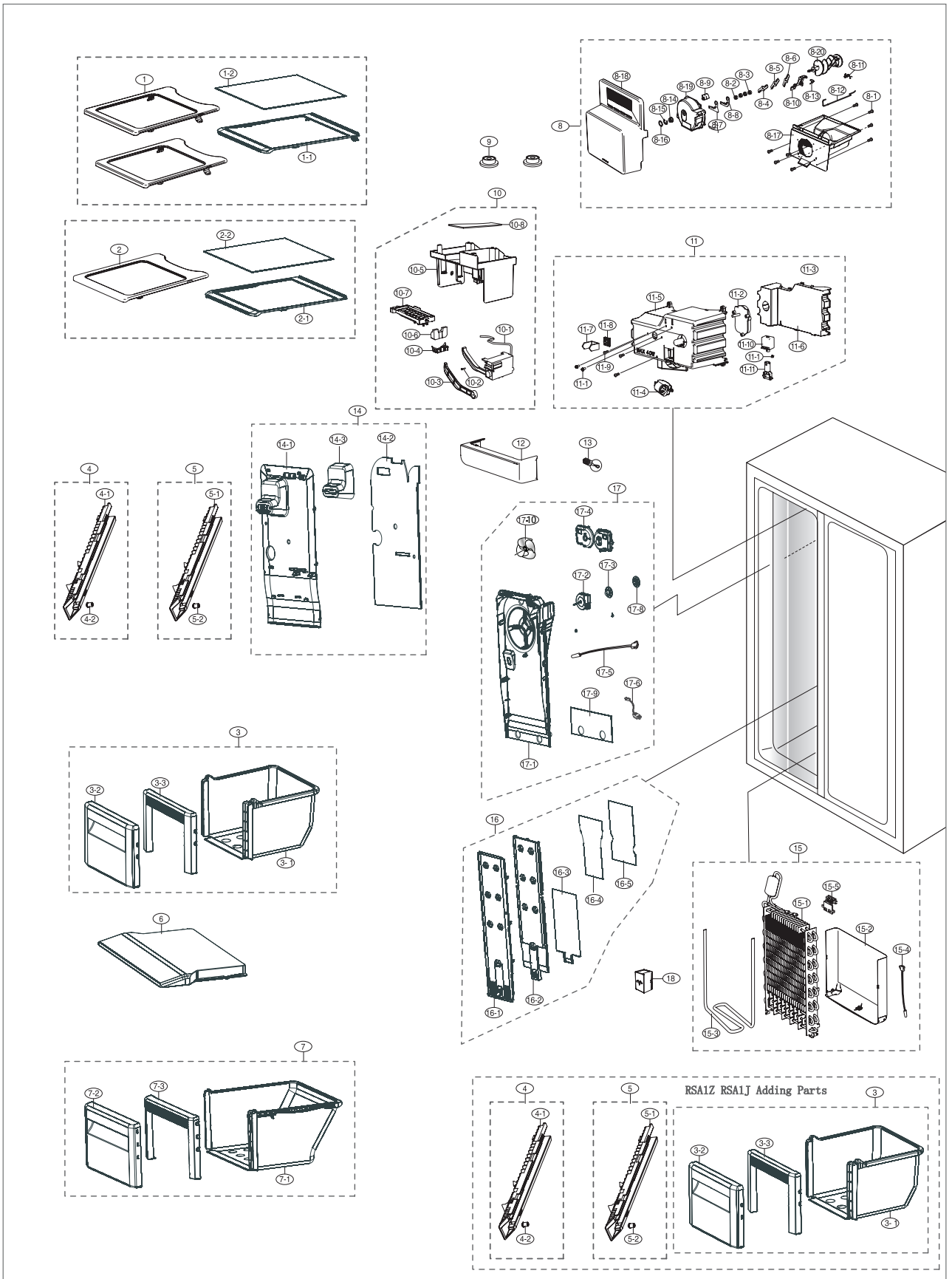


5 . EXPLODED VIEW & PART LIST

5-1) Freezer (RSA1Z/RSA1J/RSA1D/RSA1U)	67
5-2) Freezer (RSA1N/RSA1S/RSA1W).....	70
5-3) Fridge (RSA1Z/RSA1J).....	72
5-4) Fridger (RSA1D/RSA1U/RSA1N/RSA1S/RSA1W)	74
5-5) Cabinet And Unit (RSA1Z/RSA1J/RSA1D/RSA1U)	76
5-6) Cabinet And Unit (RSA1N/RSA1S/RSA1W).....	79
5-7) Freezer Door (RSA1Z/RSA1J/RSA1D/RSA1U)	82
5-8) Freezer Door (RSA1N/RSA1S/RSA1W)	84
5-9) Fridge Door (RSA1N/RSA1S/RSA1J/RSA1D/RSA1U)	86
5-10) Fridge Door (RSA1Z)	88
5-11) Fridge Door (RSA1W)	90

5 . EXPLODED VIEW & PART LIST

5-1) Freezer (RSA1Z RSA1J RSA1D RSA1U)



EXPLODED VIEW & PART LIST

Parts List of Freezer (RSA1Z RSA1J RSA1D RSA1U)

NO	CODE NO	PART NAME	Specification	Quantity	Remark	Electric Part
1	DA97-06012A	ASSY SHELF FRE-HIGH		2		
1-1	DA67-01907A	SHELF FRE-HIGH	HIPS	1	RSA1D	
1-2	DA64-02458A	GLASS-SHELF FRE HIGH	GLASS,T3.2	1	RSA1U	
2	DA97-06013A	ASSY SHELF FRE-LOW		2		
2-1	DA67-01904A	SHELF FRE-LOW	HIPS	1	RSA1D	
2-2	DA64-02459A	GLASS-SHELF FRE LOW	GLASS,T3.2	1	RSA1U	
2	DA97-06013A	ASSY SHELF FRE-LOW		1		
2-1	DA67-01904A	SHELF FRE-LOW	HIPS	1	RSA1Z	
2-2	DA64-02459A	GLASS-SHELF FRE LOW	GLASS,T3.2	1	RSA1J	
3	DA97-06065A	ASSY-CASE BASKET HIGH		1		
3-1	DA61-04009A	CASE-BASKET HIGH	PP	1	RSA1D	
3-2	DA63-04045A	COVER-BASKET FRONT HIGH	HIPS	1	RSA1U	
3-3	DA63-04044A	COVER-BASKET FRONT HIGH	SAN	1		
3	DA97-06065A	ASSY-CASE BASKET HIGH		2		
3-1	DA61-04009A	CASE-BASKET HIGH	PP	1	RSA1Z	
3-2	DA63-04045A	COVER-BASKET FRONT HIGH	HIPS	1	RSA1J	
3-3	DA63-04044A	COVER-BASKET FRONT HIGH	SAN	1		
4	DA97-01291B	ASSY RAIL-BASKET L		1		
4-1	DA61-00044C	RAIL-BASKET L	HIPS(TALC-PP)	1	RSA1D	
4-2	DA63-00202A	GROMMET-RAIL	NY-6	1	RSA1U	
4	DA97-01291B	ASSY RAIL-BASKET L		2		
4-1	DA61-00044C	RAIL-BASKET L	HIPS(TALC-PP)	1	RSA1Z	
4-2	DA63-00202A	GROMMET-RAIL	NY-6	1	RSA1J	
5	DA97-01292B	ASSY RAIL-BASKET R		1		
5-1	DA61-00045C	RAIL-BASKET R	HIPS(TALC-PP)	1	RSA1D	
5-2	DA63-00202A	GROMMET-RAIL	NY-6	1	RSA1U	
5	DA97-01292B	ASSY RAIL-BASKET R		2		
5-1	DA61-00045C	RAIL-BASKET R	HIPS(TALC-PP)	1	RSA1Z	
5-2	DA63-00202A	GROMMET-RAIL	NY-6	1	RSA1J	
6	DA63-04055A	COVER-BASKET HIGH	HIPS	1		
7	DA97-06066A	ASSY-CASE BASKET LOW		1		
7-1	DA61-04046A	CASE-BASKET LOW	PP	1		
7-2	DA63-04042A	COVER-BASKET FRONT LOW	HIPS	1		
7-3	DA63-04040A	COVER-BASKET FRONT LOW	SAN	1		
8	DA97-06072A	ASSY TRAY-ICE BUCKET		1		
8-1	6002-000215	SCREW-TAPPING	TH,1,M4.0,L16,ZPC	8		
8-2	DA62-01659A	SEAL-POM A	SR-S7183,POM,W	2		
8-3	DA62-01660A	SEAL-POM B	SR-S7184,POM,W	2		
8-4	DA31-00207A	BLADE-MOVING A	STS304,T2.0	1		
8-5	DA31-00206A	BLADE-MOVING B	STS304,T2.0	1		
8-6	DA31-00205A	BLADE-MOVING C	STS304,T2.0	1		
8-7	DA31-00209A	BLADE-STATIONARY DISP OU	STS304,T	1		
8-8	DA31-00208A	BLADE-STATIONARY DISP IN	STS304,T2	1		
8-9	DA61-03865A	FIXER-GUARD	SR-S7180,POM,	1		
8-10	DA61-03864A	GUIDE-ICE DISPENSER	HIPS,W45.2	1		
8-12	DA66-00529A	LEVER-CUBE	MSWR10	1		
8-13	DA61-03947A	SPRING ETC-DISPENSER	SR-S7180,STS304	1		
8-14	DA61-03972A	FIXER-AUGER	HEX,POM,AURGE	1		
8-15	DA60-00185A	FASTENER-RING	SK-5H,SR-S7180	1		
8-16	DA60-00186A	FASTENER-WASHER	ID20,OD28,T0.5,S	1		
8-17	DA63-03934A	TRAY ICE-BUCKET	PP,WHITE	1		
8-18	DA63-04019A	COVER-ICE BUCKET	PP,WHI	1		
8-19	DA63-03935A	COVER-CRUSHER DISP	HIPS,	1		
8-20	DA65-00049A	CLAMPER HOSE-HELIX	QUEEN,PC	1		

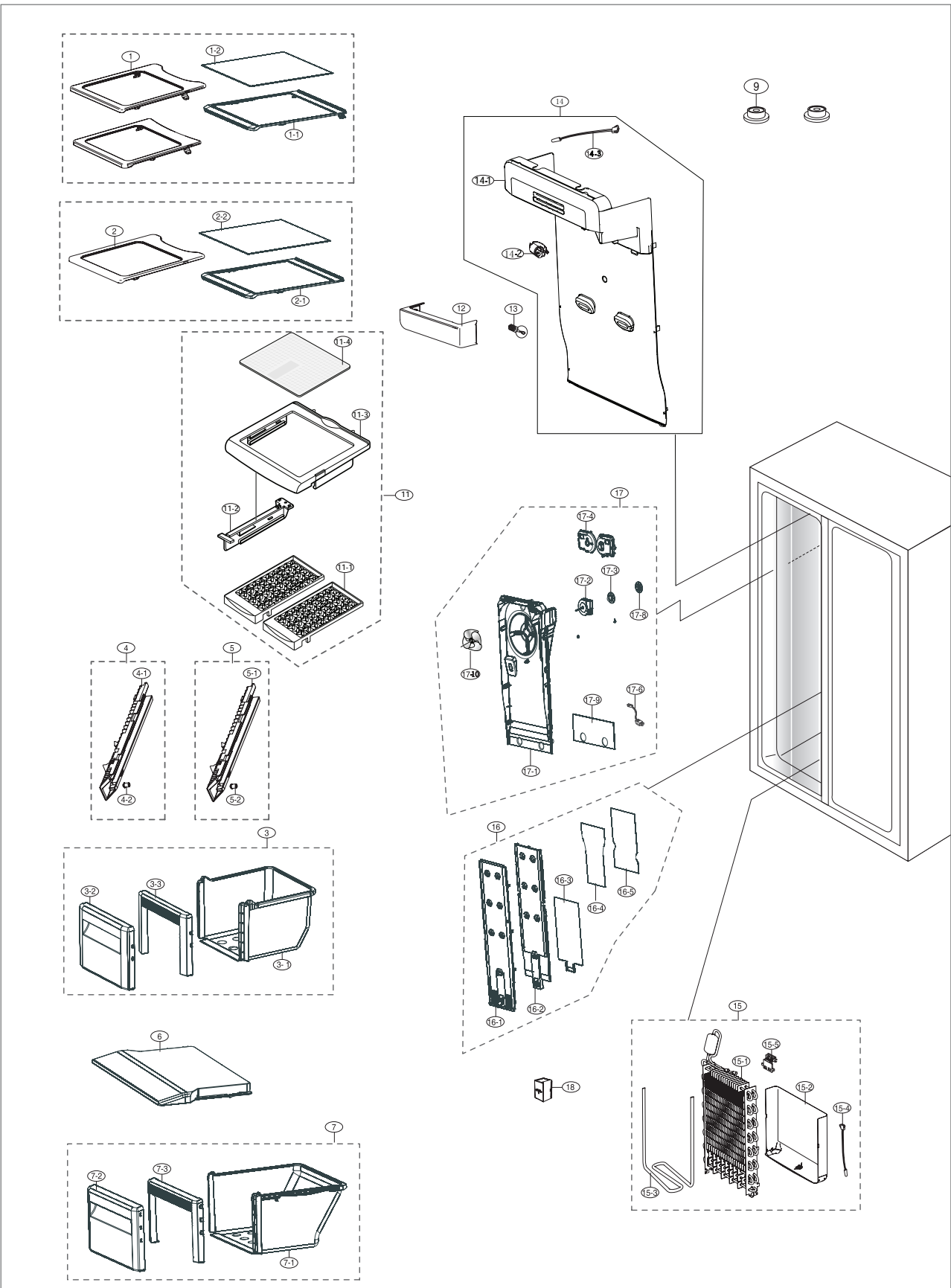
EXPLODED VIEW & PART LIST

■ Parts List of Freezer (RSA1Z RSA1J RSA1D RSA1U)

NO	CODE NO	PART NAME	Specification	Quantity	Remark	SA/SNA
9	DA61-03916A	FIXER GROMMET-DOOR	T3ABS,SC-02740	2		
10	DA97-05806A	ASSY ICE MAKER-MECH		1		
10-1	DA59-00294A	ICE MAKER-ASSY	NTGN,DC12V	1		YES
10-2	DA60-10132A	SCREW-TAPPING	PH,PI3,L15,PASS,S	1		
10-3	DA61-03923A	GUIDE-ICE FULL	QUEEN,ABS	1		
10-4	DA61-01800A	FIXER-SENSOR(ICE MAKER)	URETHANE,	1		YES
10-5	DA61-03902A	SUPPORT-ICE MAKER	HIPS,WHIT	1		
10-6	DA63-03956A	COVER-SENSOR	PP,T1.0,WHITE	1		
10-7	DA63-03951A	TRAY ICE	PP,SC-93437R,BJ	1		
10-8	DA62-01678A	SEAL-SUPPORT ICE MAKER	FOAM PE,	1		
11	DA97-05805A	ASSY CASE-AUGER MOTOR	220V~240V/5	1	R/G power	YES
11-1	DA60-00001B	SCREW-SPECIAL	HEX,L8.3,PASS,ST	3		
11-2	DA31-00105C	MOTOR GEARED-AUGER	15rpm,50Hz,220-24	1		YES
11-3	DA96-00451A	ASSY W/HARNESS-SUB		1		YES
11-4	DA47-00274B	LAMP HOLDER	E27,4A	1		YES
11-5	DA61-03869A	CASE-AUGER MOTOR	PP,WHITE	1		YES
11-6	DA63-03933A	COVER-AUGER MOTOR	S,PP,N	1		
11-7	DA70-00511A	PLATE-D/AUGER DISP	STS304,L127XD14	1		
11-8	DA61-03950A	FIXER-NUT	STS420,T1,CLIP,S	1		
11-10	DA74-40151F	VALVE-SOLENOID	SR-S6586B,CUBE	1		YES
11-11	DA66-00519A	GEAR-SOLENOID	POM,SC-93438R	1		YES
12	DA63-04041A	COVER LAMP-FRE	PP,DIS	1		
13	4713-001201	LAMP-INCANDESCENT	230V, 40W	1		YES
14	DA97-06068A	ASSY COVER-MULTI FRE FRONT		1		
14-1	DA63-04022A	COVER-MULTI FRE FRONT	PP	1		
14-2	DA62-01823A	SEAL-MULTI FRE FRONT	FOAM-PE,T5.0	1		
14-3	DA62-01723A	INSULATION-AIR GUIDE	FOAM-PS	1		
15	DA96-00442A	ASSY EVAP-FRE		1		YES
15-1		EVAP		1		
15-2	DA61-04026A	PLATE-DRAIN	GALVA	1		
15-3	DA47-00279A	HEATER-METAL SHEATH	220~240V	1	R/G power	YES
15-4	DA32-00024G	SENSOR TEMP	PX-41C	1		YES
15-5	DA61-00603A	FIXER-SENSOR	PP,-,-,-	1		
16	DA97-06070A	ASSY COVER EVAP-FRONT		1		
16-1	DA63-04043A	COVER EVAP-FRONT	PP,SC-02740R,CC	1		
16-2	DA62-01720A	INSULATION-COVER EVAP	FOAM-PS	1		
16-3	DA61-04022A	PLATE-HEATER EVAP		1		
16-4	DA61-04024A	PLATE-INS EVAP	HIPS,T1.0	1		
16-5	DA02-10005A	TAPE ETC-MASKING	W25	0.32		
17	DA97-06067A	ASSY COVER-MULTI FRE REAR		1		
17-1	DA63-04020A	COVER-MULTI FRE REAR	PP	1		
17-2	DA31-00020M	MOTOR BLDC	DREP3030LA,1375	1		YES
17-3	DA63-01146A	GROMMET-MOTOR,REAR	A-TOP,NBR,ID6.5,	1		
17-4	DA63-01809A	COVER MOTOR-BLDC	BLDC-NEW,PP,NT	1		
17-5	DA32-00024F	SENSOR TEMP	PX-41C	1		YES
17-6	DA39-00227B	WIRE HARNESS-SUB	UL	1		YES
17-8	DA63-01808A	GROMMET-MOTOR,FRONT	BLDC,NBR,BLACK	1		
17-9	DA62-01825A	SEAL-DUCT REAR	FOAM-PE+AL,T3.0	1		
17-10	DA31-00052A	FAN PROPELLER	ABS,5 WING,Φ145	1		
18	DA63-03788A	COVER-FIXER-HOUSING	NEXTGALVA,T0.	1		

5 . EXPLODED VIEW & PART LIST

5-2) Freezer (RSA1N RSA1S RSA1W)



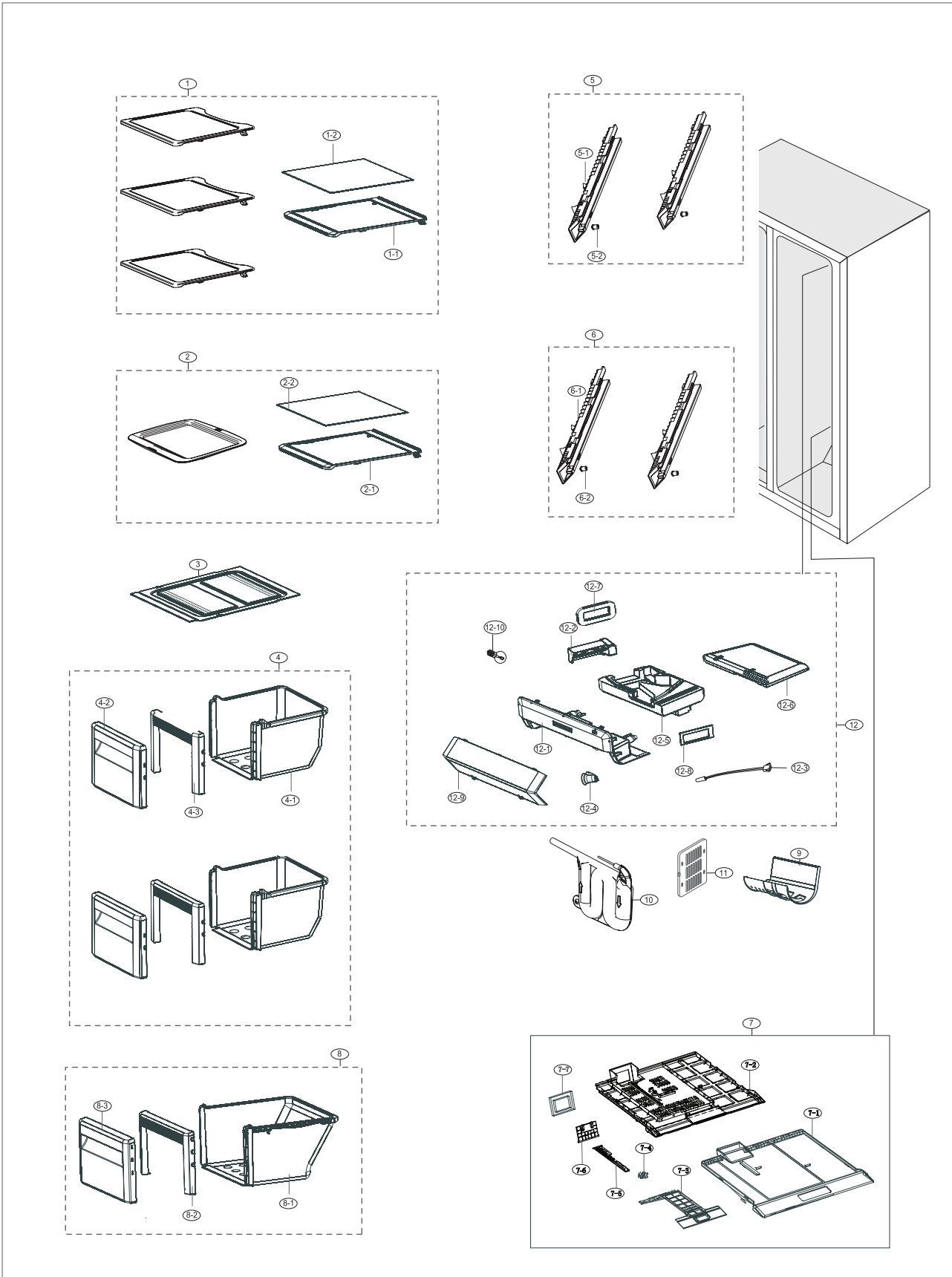
EXPLODED VIEW & PART LIST

Parts List of Freezer(RSA1N RSA1S RSA1W)

NO	CODE NO	PART NAME	Specification	Quantity	Remark	Electric Part
1	DA97-06012A	ASSY SHELF FRE-HIGH		2		
1-1	DA67-01907A	SHELF FRE-HIGH	HIPS	1		
1-2	DA64-02458A	GLASS-SHELF FRE HIGH	GLASS,T3.2	1		
2	DA97-06013A	ASSY SHELF FRE-LOW		1		
2-1	DA67-01904A	SHELF FRE-LOW	HIPS	1		
2-2	DA64-02459A	GLASS-SHELF FRE LOW	GLASS,T3.2	1		
3	DA97-06065A	ASSY-CASE BASKET HIGH		1		
3-1	DA61-04009A	CASE-BASKET HIGH	PP	1		
3-2	DA63-04045A	COVER-BASKET FRONT HIGH	HIPS	1		
3-3	DA63-04044A	COVER-BASKET FRONT HIGH	SAN	1		
4	DA97-01291B	ASSY RAIL-BASKET L		1		
4-1	DA61-00044C	RAIL-BASKET L	HIPS(TALC-PP	1		
4-2	DA63-00202A	GROMMET-RAIL	NY-6	1		
5	DA97-01292B	ASSY RAIL-BASKET R		1		
5-1	DA61-00045C	RAIL-BASKET R	HIPS(TALC-PP	1		
5-2	DA63-00202A	GROMMET-RAIL	NY-6	1		
6	DA63-04055A	COVER-BASKET HIGH	HIPS	1		
7	DA97-06066A	ASSY-CASE BASKET LOW		1		
7-1	DA61-04046A	CASE-BASKET LOW	PP	1		
7-2	DA63-04042A	COVER-BASKET FRONT LOW	HIPS	1		
7-3	DA63-04040A	COVER-BASKET FRONT LOW	SAN	1		
9	DA61-03916A	FIXER GROMMET-DOOR	T3ABS,SC-027	2		
11	DA97-06014A	ASSY SHELF-ICE MAKER		1		
11-1	DA63-01078B	TRAY-ICE (BASIC)	PP	2		
11-2	DA61-00519B	SUPPORT-TRAY ICE	HIPS	1		
11-3	DA67-01902A	SHELF FRE-ICE MAKER	HIPS	1		
11-4	DA64-02459A	GLASS-SHELF FRE LOW	TEMPERDE G	1		
12	DA63-04038A	COVER LAMP-FRE	PP,DIS	1		
13	4713-001201	LAMP-INCANDESCENT	230V,0mA,40W	1	R/G power	YES
14	DA97-06069A	ASSY COVER-MULTI FRE FRONT		1		YES
14-1	DA63-04021A	COVER-MULTI FRE FRONT	PP	1		
14-2	DA47-00274B	LAMP HOLDER	E27,4A	1	R/G power	YES
14-3	DA32-00024F	SENSOR TEMP	PX-41C	1		YES
15	DA96-00442A / D	ASSY EVAP-FRE(230V/120V)		1		YES
15-1		EVAP	AL	1		
15-2	DA61-04026A	PLATE-DRAIN	GALVA	1		
15-3	DA47-00279A / B	HEATER-METAL SHEATH(230V/120V)	220-240V	1	R/G power	YES
15-4	DA32-00024G	SENSOR TEMP	PX-41C	1		YES
15-5	DA61-00603A	FIXER-SENSOR	PP,-,-,-	1		
16	DA97-06070A	ASSY COVER EVAP-FRONT		1		
16-1	DA63-04043A	COVER EVAP-FRONT	PP,SC-02740R	1		
16-2	DA62-01720A	INSULATION-COVER EVAP	FOAM-PS	1		
16-3	DA61-04022A	PLATE-HEATER EVAP		1		
16-4	DA61-04024A	PLATE-INS EVAP	HIPS,T1.0	1		
16-5	DA02-10005A	TAPE ETC-MASKING	W25	0.32		
17	DA97-06067A	ASSY COVER-MULTI FRE REAR		1		YES
17-1	DA63-04020A	COVER-MULTI FRE REAR	PP	1		
17-2	DA31-00020M	MOTOR BLDC	DREP3030LA,	1		YES
17-3	DA63-01146A	GROMMET-MOTOR,REAR	A-TOP,NBR,ID	1		
17-4	DA63-01809A	COVER MOTOR-BLDC	BLDC-NEW,PP	1		
17-6	DA39-00227B	WIRE HARNESS-SUB	UL	1		YES
17-7	DA31-00052A	FAN PROPELLER	ABS,5 WING,φ	1		
17-8	DA63-01808A	GROMMET-MOTOR,FRONT	BLDC,NBR,BL	1		
17-9	DA62-01825A	SEAL-DUCT REAR	FOAM-PE+AL,	1		
17-10	DA31-00052A	FAN PROPELLER	ABS,5 WING,φ	1		
18	DA63-03788A	COVER-FIXER-HOUSING	NEXTGALVA,T	1		

EXPLODED VIEW & PART LIST

5-3) Fridge (RSA1Z RSA1J)



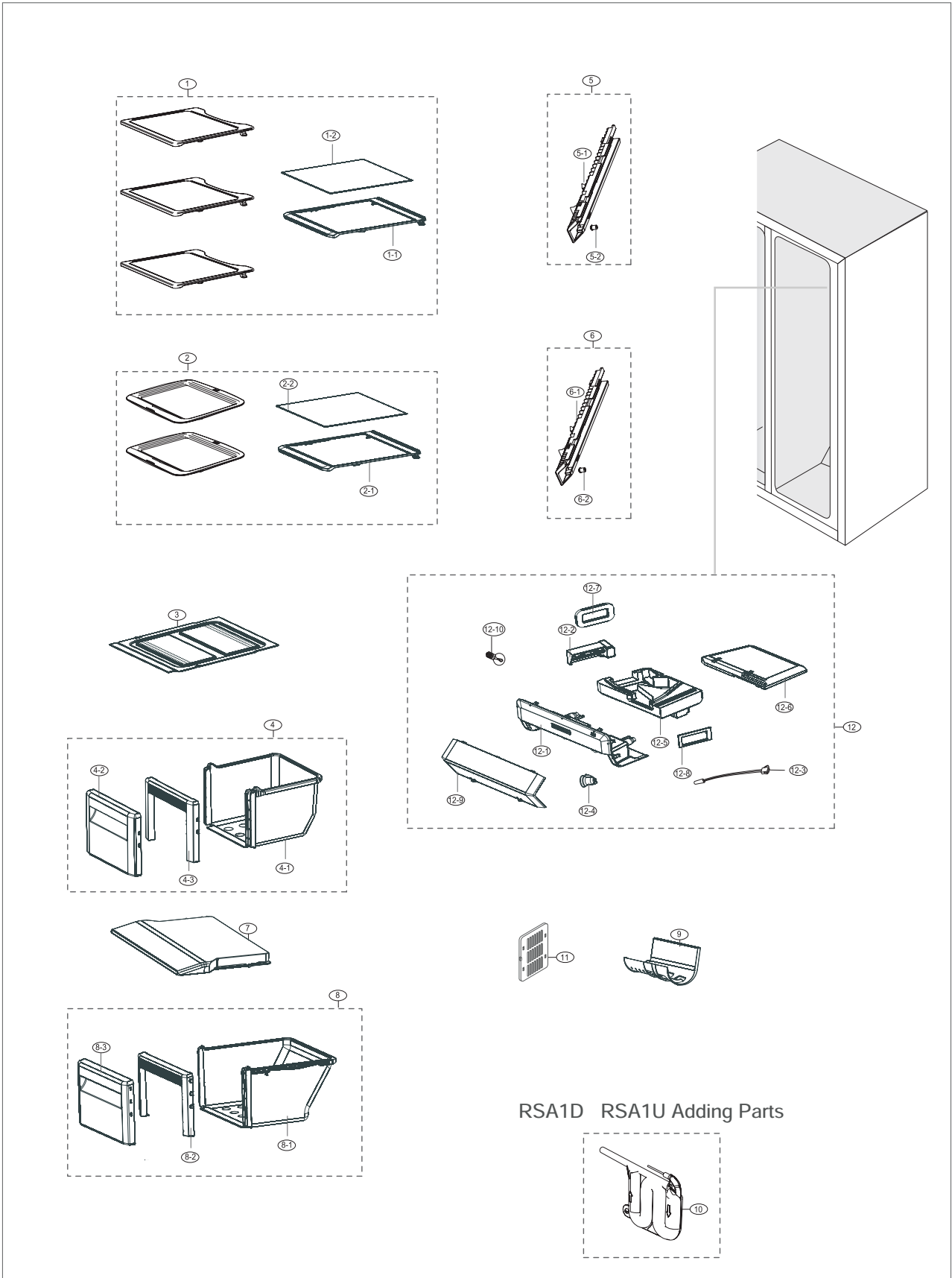
EXPLODED VIEW & PART LIST

■ Parts List of Fridge (RSA1Z RSA1J)

NO	CODE NO	PART NAME	Specification	Quantity	Remark	Electric Part
1	DA97-06007A	ASSY SHELF REF-HIGH		3		
1-1	DA67-01905A	SHELF REF-HIGH	HIPS	1		
1-2	DA64-02457A	GLASS-SHELF REF HIGH	GLASS,T3.2	1		
2	DA97-06009A	ASSY SHELF REF-LOW		2		
2-1	DA67-01906A	SHELF REF-LOW	HIPS	1		
2-2	DA64-02456A	GLASS-SHELF REF LOW	GLASS,T3.2	1		
3	DA63-04054A	COVER VEG-HUMIDITY	GPPS	1		
4	DA97-06063A	ASSY CASE VEG-HIGH		2		
4-1	DA61-04037A	CASE-VEG HIGH	PP	1		
4-2	DA63-04036A	COVER VEG-FRONT HIGH B	HIPS	1		
4-3	DA63-04037A	COVER VEG-FRONT HIGH A	SAN	1		
5	DA97-04793A	ASSY RAIL-LOW L	L220,COOL WHT,SC-	2		
5-1	DA61-03078A	RAIL-LOW L	HIPS,-,W28,L220,COO	1		
5-2	DA66-00420A	ROLLER-RAIL LOW	POM,OD22,H10,NTR,	1		
6	DA97-04794A	ASSY RAIL-LOW R	L220,COOL WHT,SC-	2		
6-1	DA61-03079A	RAIL-LOW R	HIPS,T2.5,W28,L220,	1		
6-2	DA66-00420A	ROLLER-RAIL LOW	POM,OD22,H10,NTR,	1		
7	DA97-06074A	ASSY COVER-CONVERTIBLE		1		
7-1	DA63-04025A	COVER-CONVERTIBLE HIGH	HIPS	1		
7-2	DA63-04024A	COVER-CONVERTIBLE LOW	HIPS	1		
7-3	DA66-00549A	LEVER-CHILLED	ABS	1		
7-4	DA66-00552A	GEAR-CHILLED	POM	1		
7-5	DA66-00551A	LEVER-CHILLED LINK	POM	1		
7-6	DA66-00550A	LEVER-CHILLED DAMPER	HIPS	1		
7-7	DA62-01824A	SEAL-CONVERTIBLE REAR	EPDM,-,T20	1		
8	DA97-06064A	ASSY CASE VEG-LOW		1		
8-1	DA61-04036A	CASE-VEG LOW	PP	1		
8-2	DA63-04029A	COVER VEG-FRONT LOW B	HIPS	1		
8-3	DA63-04031A	COVER VEG-FRONT LOW A	SAN	1		
9	DA67-01888A	SHELF-WINE	HIPS	1		
10	DA97-05786A	ASSY TANK WATER		1		
11	DA63-01077B	COVER-PURIFIER	PP,C	1		
12	DA97-06071A	ASSY COVER DAMPER-REF	PP	1		YES
12-1	DA61-04035A	CASE DAMPER-REF	PP,SC-9343	1		
12-2	DA31-00043H	MOTOR DC-MOTOR-DAMPE	DC 12V,Max 6	1		YES
12-3	DA32-00024E	SENSOR TEMP	PX-41C	1		YES
12-4	DA47-00274B	LAMP HOLDER	E27,4A	1		YES
12-5	DA62-01722A	INSULATION-DAMPER REF	FOAM-PS	1		
12-6	DA62-01721A	INSULATION-DAMPER REF	FOAM-PS	1		
12-7	DA72-00583G	SEAL CUTT	OJC 3000,T5,W40,L10	0.0134		
12-8	DA62-01813A	SEAL-DAMPER REF	EPDM,T10	1		
12-9	DA63-04039A	COVER LAMP-REF	PP	1		
12-10	4713-001201	LAMP-INCANDESCENT	230V, 40W	1		YES

EXPLODED VIEW & PART LIST

5-4) Fridge (RSA1U RSA1D RSA1N RSA1S RSA1W)



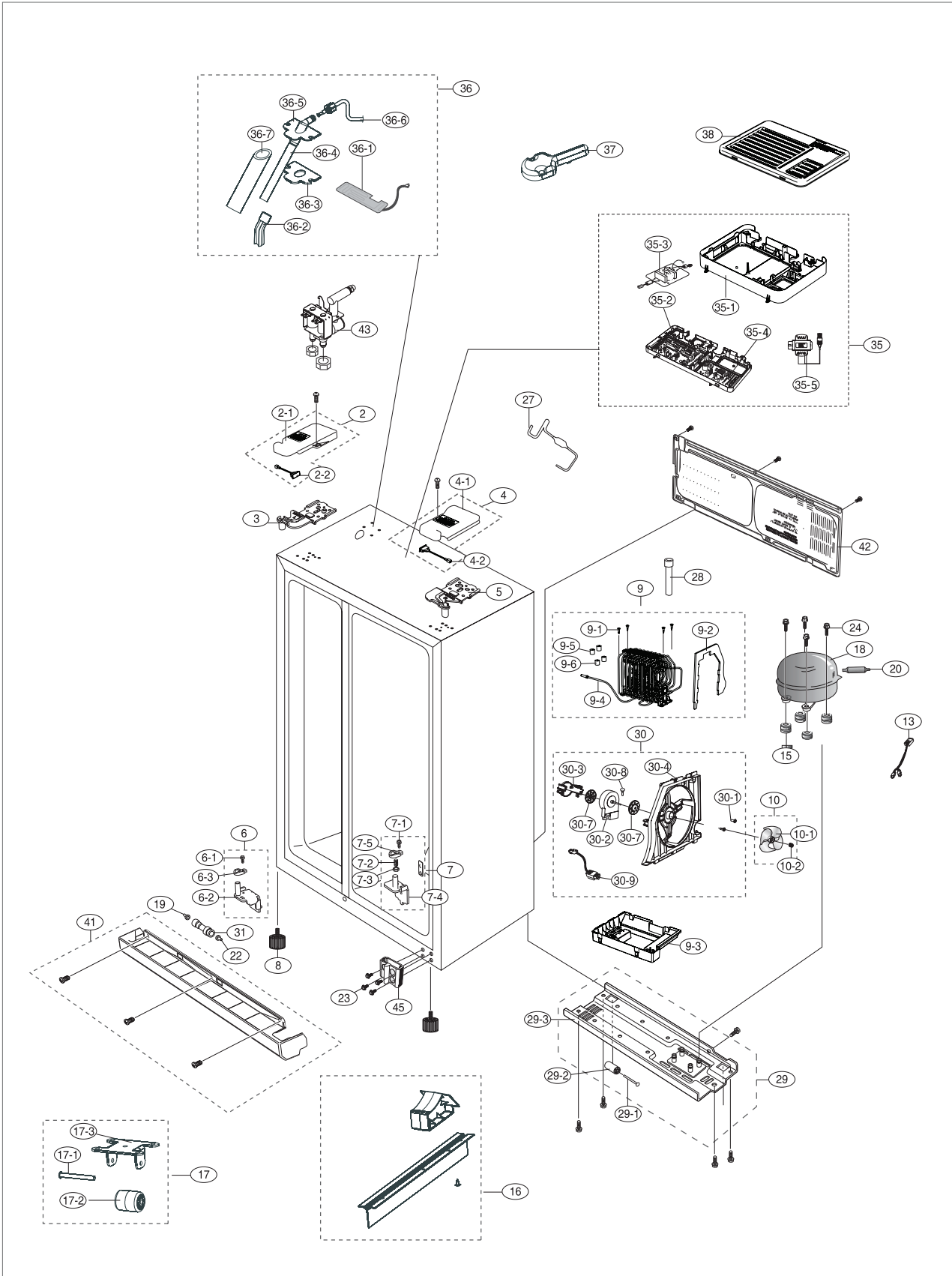
EXPLODED VIEW & PART LIST

■ Parts List of Fridge (RSA1D RSA1U RSA1N RSA1S RSA1W)

NO	CODE NO	PART NAME	Specification	Quantity	Remark	Electric Part
1	DA97-06007A	ASSY SHELF REF-HIGH		3		
1-1	DA67-01905A	SHELF REF-HIGH	HIPS	1		
1-2	DA64-02457A	GLASS-SHELF REF HIGH	GLASS,T3.2	1		
2	DA97-06009A	ASSY SHELF REF-LOW		2		
2-1	DA67-01906A	SHELF REF-LOW	HIPS	1		
2-2	DA64-02456A	GLASS-SHELF REF LOW	GLASS,T3.2	1		
3	DA63-04054A	COVER VEG-HUMIDITY	GPSS	1		
4	DA97-06063A	ASSY CASE VEG-HIGH		1		
4-1	DA61-04037A	CASE-VEG HIGH	PP	1		
4-2	DA63-04036A	COVER VEG-FRONT HIGH B	HIPS	1		
4-3	DA63-04037A	COVER VEG-FRONT HIGH A	SAN	1		
5	DA97-04793A	ASSY RAIL-LOW L		2		
5-1	DA61-03078A	RAIL-LOW L	HIPS,-,W28,L220,COC	1		
5-2	DA66-00420A	ROLLER-RAIL LOW	POM,OD22,H10,NTR,-	1		
6	DA97-04794A	ASSY RAIL-LOW R		2		
6-1	DA61-03079A	RAIL-LOW R	HIPS,T2.5,W28,L220,C	1		
6-2	DA66-00420A	ROLLER-RAIL LOW	POM,OD22,H10,NTR,-	1		
7	DA63-04053A	COVER VEG-HIGH	HIPS	1		
8	DA97-06064A	ASSY CASE VEG-LOW		1		
8-1	DA61-04036A	CASE-VEG LOW	PP	1		
8-2	DA63-04029A	COVER VEG-FRONT LOW B	HIPS	1		
8-3	DA63-04031A	COVER VEG-FRONT LOW A	SAN	1		
10	DA97-05786A	ASSY TANK WATER		1	RSA1D RSA1U	
9	DA67-01888A	SHELF-WINE	HIPS	1		
11	DA63-01077B	COVER-PURIFIER	PP,C	1		
12	DA97-06071A	ASSY COVER DAMPER-REF		1		YES
12-1	DA61-04035A	CASE DAMPER-REF	PP,SC-9343	1		
12-2	DA47-00043H	MOTOR DC-MOTOR-DAMPE	DC 12V,Max 6	1		YES
12-3	DA32-00024E	SENSOR TEMP	PX-41C	1		YES
12-4	DA47-00274B	LAMP HOLDER	E27,4A	1		YES
12-5	DA62-01722A	INSULATION-DAMPER REF	FOAM-PS	1		
12-6	DA62-01721A	INSULATION-DAMPER REF	FOAM-PS	1		
12-7	DA72-00583G	SEAL CUTT	OJC 3000,T5,W40,L10	0.0134		
12-8	DA62-01813A	SEAL-DAMPER REF	EPDM,T10	1		
12-9	DA63-04039A	COVER LAMP-REF	PP	1		
12-10	4713-001201	LAMP-INCANDESCENT	230V, 40W	1		YES

EXPLODED VIEW & PART LIST

5-5) Cabinet & Unit (RSA1Z RSA1J RSA1D RSA1U)



EXPLODED VIEW & PART LIST

Parts List of Cabinet and Unit

NO	CODE NO	PART NAME	Specification	Quantity	Remark	Electric Part
2	DA97-05773A	ASSY COVER HINGE-UPP L		1		YES
2-1	DA63-03958A	COVER HINGE-UPP L	ABS,T2.5,	1		
2-2	DA34-00046B	SWITCH SENSITIVE	200VDC,0.5A	1		YES
3	DA61-03933A	HINGE-UPP L	SHP1,T3.0,BLACK	1		
4	DA97-05763A	ASSY COVER HINGE-UPP R		1		YES
4-1	DA63-03959A	COVER HINGE-UPP R	ABS,T2.5,	1		
4-2	DA34-00046B	SWITCH SENSITIVE	200VDC,0.5A	1		YES
5	DA61-03932A	HINGE-UPP R	SHP1,T3.0,BLACK	1		
6	DA97-05765A	ASSY HINGE LOW-L		1		
6-1	6003-001435	SCREW-TAPTITE	HWH,S,M5,L12.7,ZPC(W	1		
6-2	DA66-00343A	CAM-RISER	USP05(ATOP,ET),NY-66	1		
6-3	DA61-03941A	HINGE-LOW L	SHP1,T4.5,W54.6,L57	1		
7	DA97-01763A	ASSY HINGE LOW-R		1		
7-1	6003-001435	SCREW-TAPTITE	HWH,S,M5,L12.7,ZPC(W	1		
7-2	6011-001442	BOLT-SOCKET	M8,L15,ZPC(BLK),SCM4	1		
7-3	6021-001125	NUT-HEXAGON	3,M8, P1.25,ZPC(BLK),S	1		
7-4	DA61-01608A	HINGE-LOW R	SHP1+SM45C,T4.	1		
7-5	DA66-00343A	CAM-RISER	USP05(ATOP,ET),NY-66	1		
8	DA61-30102A	FOOT-FRONT	PP,YEL,T0.6,ZPC2	2		
9	DA94-00213A	ASSY TRAY DRAIN-WATER		1		
9-1	6009-001252	SCREW-SPECIAL	PH,M4.0,L20(12),ZPC(W	4		
9-2	DA62-01676A	SEAL SUB CONDENSER	FOAM PE	1		
9-3	DA63-03936A	TRAY DRAIN-WATER	PP,T2.0	1		
9-4	DA97-05807A	ASSY PIPE-SIPRAL CONDENSER		1		
9-5	DA63-40128A	GROMMET-SUB COND	NBR,DARK	2		
9-6	DA63-03953A	GROMMET-SUCT PIPE A	NBR,OD20,ID4,L20	2		
10	DA31-00010D	FAN-ASS'Y	SBS,ABS+GLASS FIBER	1		YES
10-1	DA31-00015C	FAN-TURBO	ABS+GLASS FIBE,GR-4	1		
10-2	DA61-20128A	SPRING ETC-FAN	STS304,CD1.0,L3.0,3	1		YES
13	DA39-00084F	WIRE HARNESS-COMP	WIRE-HARNESS MAIN	1	RSA1J RSA1D	YES
13	DA39-00084G	WIRE HARNESS-COMP	WIRE-HARNESS MAIN	1	RSA1Z RSA1U	YES
15	DA63-02017A	GROMMET-COMP	QUEEN,EPDM	4		
16	DA97-05776A	ASSY TRIM-BLADE		1		
17-1	DA60-90124A	RIVET	MSWR10,OD6.0L56	1		
17-2	DA61-02514A	CASTER-FRONT	PP,ID6.2,OD30,NTR,W3	1		
17-3	DA61-03897A	REINF-CASTER FRONT	HGI,T2.5,W60,L	1		
18	MK4A5Q-R1U	COMPRESSOR(R600a)	220-240V?50HZ,RSCR,S	1	RSA1J RSA1D	YES
18	EU4A5Q-L2X	COMPRESSOR(R600a)	INVERTER,STATIC	1	RSA1Z RSA1U	YES
18	MK190G-L2U	COMPRESSOR(R134a)	220-240V 50HZ,220V 60	1	RSA1J RSA1D	YES
19	DA61-03915A	FIXER VALVE WATER-A	SR-S7180,NY-6,OD7.8	1		
20	DA62-01681A	DRYER	C1220T,OD18.70,L114,	1		
22	DA61-03903A	FIXER VALVE WATER-B	SR-S7180,NY-6,OD6.1	1		
23	6003-001435	SCREW-HEX	HWH,M6,L16,ZPC(WHT	4		
24	DA60-10124A	SCREW-HEX	HWH,M6,L16,ZPC(WHT	4		
27	DA97-05809A	ASSY PIPE CONNECT-SUCTI	c1220 t	1		
28	DA97-00359A	ASSY TUBE-DRAIN	SOFT-PVC	1		
29	DA97-05772A	ASSY CHASSIS-COMP	W255.5,L895	1		
29-1	DA60-90146A	PIN-CASTER	MSWR10,OD6.0,L40,ZP	2		
29-2	DA61-00190A	CASTER-REAR	PP,PI 44,NTR,W22	2		
29-3	DA64-02381A	CHASSIS COMP	HGI,T1.4,W255.5,L895	1		

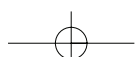
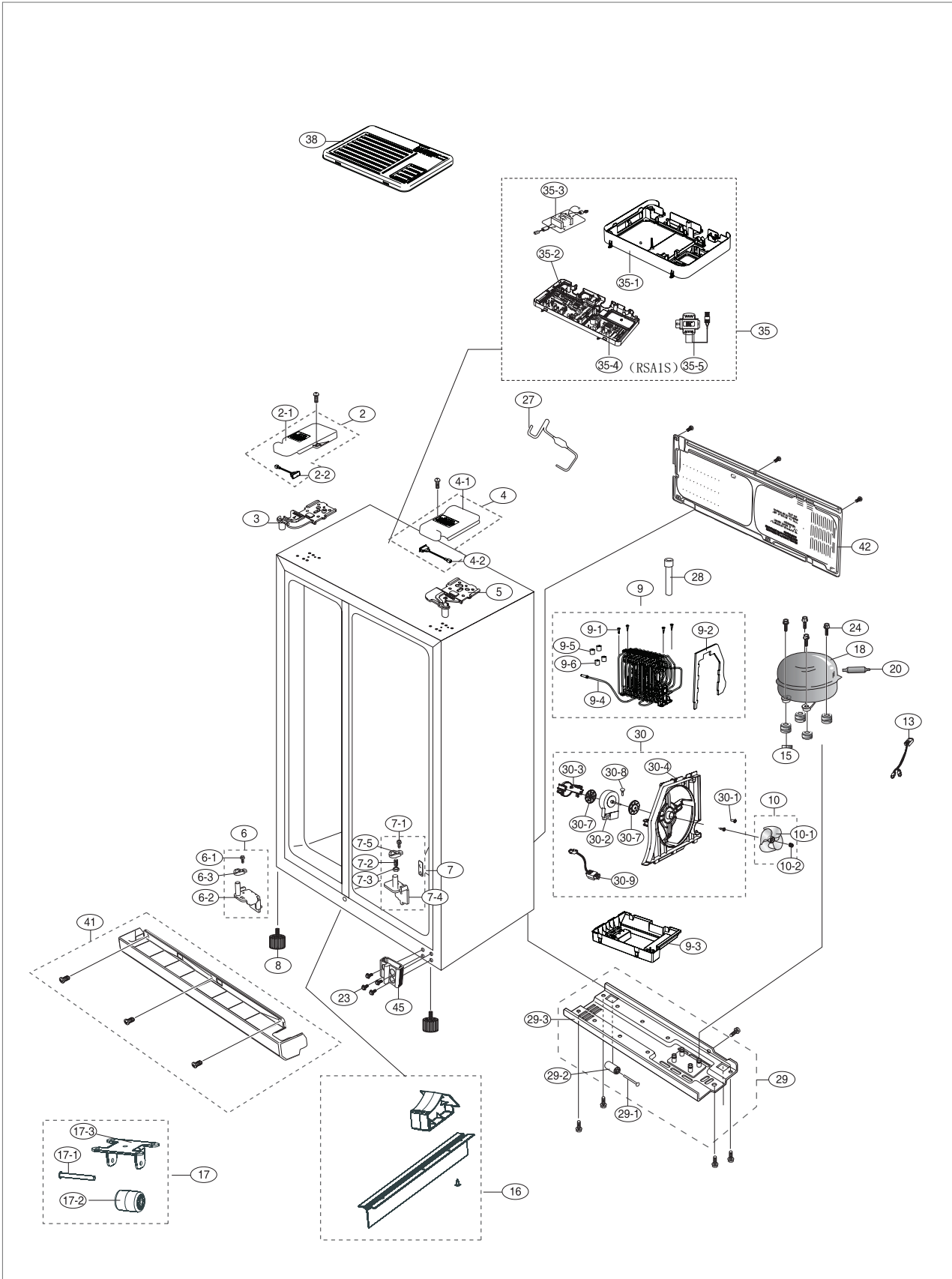
EXPLODED VIEW & PART LIST

■ Parts List of Cabinet and Unit(RSA1Z RSA1J RSA1D RSA1U)

NO	CODE NO	PART NAME	Specification	Quantity	Remark	Electric Part
30	DA97-05808A	ASSY SUPPORT-CIRCUIT MOTOR		1		YES
30-1	6003-000003	SCREW-TAPTITE	BH,B,M4,L10,ZPC(BLK),	2		
30-2	DA31-00146B	MOTOR BLDC	DRCP5030LA,1550,DC12	1		YES
30-3	DA61-03870A	BRACKET-CIRCUIT MOTOR	ABS,NEXT,NTR	1		
30-4	DA61-03871A	SUPPORT-CIRCUIT MOTOR	ABS,T2	1		
30-7	DA63-01146A	GROMMET-MOTOR,REAR	NBR,ID6.5	2		
30-8	DA63-40167A	GROMMET-COVER CHIL	T3.0,SILICON,	1		
30-9	DA96-00420A	ASSY HARNESS-MOTOR	UL(MOTOR),C-FAN	1		YES
31	DA62-20111B	TUBE-FITTING	POM,SRS6580Z,OD8.1	1		
35	DA61-06023A	ASSY-CASE PBA MAIN		1		YES
35	DA61-06024A	ASSY-CASE PBA MAIN		1		YES
35-1	DA61-03918A	CASE-PBA MAIN	PP,MANHATTAN	1	RSA1J RSA1D	YES
35-1	DA61-03917A	CASE-PBA MAIN	PP,MANHATTAN	1	RSA1Z RSA1U	YES
35-2	DA41-00532A	PBA MAIN	TOP OF REF,FR-1,247	1	RSA1J RSA1D (Vacation)	YES
35-2	DA41-00532B	PBA MAIN	TOP OF REF,FR-1,247	1	RSA1J RSA1D (Power Cool)	YES
35-2	DA41-00532F	PBA MAIN	TOP OF REF,FR-1,247	1	RSA1Z RSA1U (Vacation)	YES
35-3	DA41-00019A	COIL FILTER	T1.6*190*70	1		YES
35-4	DA41-00536A	PBA INVERTER	INVERTER	1	RSA1Z RSA1U	YES
35-5	DA27-00004C	REACTOR	7.5mH,0.06ohm	1		YES
36	DA97-05803A	ASSY PIPE-WATER FRE		1		YES
36-1	DA47-00270A	HEATER-WATER PIPE	6W	1		YES
36-2	DA63-03946A	GROMMET-WATER PIPE FILL	SILICO	1		
36-3	DA62-01680A	SEAL-PIPE WATER	FOAM-PE,T3,	1		
36-4	DA62-01683A	PIPE-AL	AL,ALMITE	1		
36-5	DA62-01672A	PIPE-WATER FRE A	PP	1		
36-6	DA73-00070V	PIPE-WATER LINE	PB(4137),#6.35,	1		
36-7	DA62-01670B	SEAL-TUBE	FOAM-PE,L	1		
37	DA97-05801A	ASSY COVER-PIPE WATER		1		
38	DA97-05787A	ASSY COVER-PBA MAIN	SBHG1+FOAM-PE	1		
42	DA97-05771A	ASSY COVER-COMP	SBHG1,T0.35	1		
43	DA62-00914A	VALVE WATER-FITTING	RIV-12A-22,220~240V,	1		YES
45	DA61-03151A	BRACKET-HINGE LOW	AL(6063),T3.0	1		

EXPLODED VIEW & PART LIST

5-6) Cabinet & Unit (RSA1N RSA1S RSA1W)



EXPLODED VIEW & PART LIST

Parts List of Cabinet and Unit (RSA1N RSA1S RSA1W)

NO	CODE NO	PART NAME	Specification	Quantity	Remark	Electric Part
2	DA97-05773A	ASSY COVER HINGE-UPP L		1		YES
2-1	DA63-03958A	COVER HINGE-UPP L	ABS,T2.5,	1		
2-2	DA34-00046B	SWITCH SENSITIVE	200VDC,0.5A	1		YES
3	DA61-03933A	HINGE-UPP L	SHP1,T3.0,BLACK	1		
4	DA97-05763A	ASSY COVER HINGE-UPP R		1		YES
4-1	DA63-03959A	COVER HINGE-UPP R	ABS,T2.5,	1		
4-2	DA34-00046B	SWITCH SENSITIVE	200VDC,0.5A	1		YES
5	DA61-03932A	HINGE-UPP R	SHP1,T3.0,BLACK	1		
6	DA97-05765A	ASSY HINGE LOW-L		1		
6-1	6003-001435	SCREW-TAPTITE	HWH,S,M5,L12.7,ZPC(W	1		
6-2	DA66-00343A	CAM-RISER	USP05(ATOP,ET),NY-66	1		
6-3	DA61-03941A	HINGE-LOW L	SHP1,T4.5,W54.6,L57	1		
7	DA97-01763A	ASSY HINGE LOW-R		1		
7-1	6003-001435	SCREW-TAPTITE	HWH,S,M5,L12.7,ZPC(W	1		
7-2	6011-001442	BOLT-SOCKET	M8,L15,ZPC(BLK),SCM4	1		
7-3	6021-001125	NUT-HEXAGON	3,M8, P1.25,ZPC(BLK),S	1		
7-4	DA61-01608A	HINGE-LOW R	SHP1+SM45C,T4.	1		
7-5	DA66-00343A	CAM-RISER	USP05(ATOP,ET),NY-66	1		
8	DA61-30102A	FOOT-FRONT	PP,YEL,T0.6,ZPC2	2		
9	DA94-00213A	ASSY TRAY DRAIN-WATER		1		
9-1	6009-001252	SCREW-SPECIAL	PH,M4.0,L20(12),ZPC(W	4		
9-2	DA62-01676A	SEAL SUB CONDENSE	FOAM PE	1		
9-3	DA63-03936A	TRAY DRAIN-WATER	PP,T2.0	1		
9-4	DA97-05807A	ASSY PIPE-SIPRAL CONDENSER		1		
9-5	DA63-40128A	GROMMET-SUB COND	NBR,DARK	2		
9-6	DA63-03953A	GROMMET-SUCT PIPE	NBR,OD20,ID4,L20	2		
10	DA31-00010D	FAN-ASS'Y		1		
10-1	DA31-00015C	FAN-TURBO	ABS+GLASS FIBE,GR-4	1		
10-2	DA61-20128A	SPRING ETC-FAN	STS304,CD1.0,L3.0,3	1		
13	DA39-00084F	WIRE HARNESS-COMP	WIRE-HARNESS MAIN	1	RSA1N	YES
13	DA39-00084G	WIRE HARNESS-COMP	WIRE-HARNESS MAIN	1	RSA1S	YES
15	DA63-02017A	GROMMET-COMP	QUEEN,EPDM	4		
16	DA97-05776A	ASSY TRIM-BLADE	NTR	1		
17-1	DA60-90124A	RIVET	MSWR10,OD6.0L56	1		
17-2	DA61-02514A	CASTER-FRONT	PP,ID6.2,OD30,NTR,W3	1		
17-3	DA61-03897A	REINF-CASTER FRON	HGI,T2.5,W60,L	1		
18	MK4A5Q-R1U	COMPRESSOR(R600a	220-240V?50HZ,RSCR,S	1	RSA1N	YES
18	EU4A5Q-L2X	COMPRESSOR(R600a	INVERTER,STATIC	1	RSA1S	YES
18	MK190G-L2U	COMPRESSOR(R134a	220-240V 50HZ,220V 60	1	RSA1N	YES
18	MK172D-R2U	COMPRESSOR R134a	115-127V~60HZ,RSCR,FAN	1	RSA1W	YES
20	DA62-01681A	DRYER	C1220T,OD18.70,L114,	1		
23	6003-001435	SCREW-HEX	HWH,M6,L16,ZPC(WHT	4		
24	DA60-10124A	SCREW-HEX	HWH,M6,L16,ZPC(WHT	4		
27	DA97-05809A	ASSY PIPE CONNECT	c1220 t	1		
28	DA97-00359A	ASSY TUBE-DRAIN	SOFT-PVC	1		
29	DA97-05772A	ASSY CHASSIS-COMP		1		
29-1	DA60-90146A	PIN-CASTER	MSWR10,OD6.0,L40,ZP	2		
29-2	DA61-00190A	CASTER-REAR	PP,PI 44,NTR,W22	2		
29-3	DA64-02381A	CHASSIS COMP	HGI,T1.4,W255.5,L895	1		

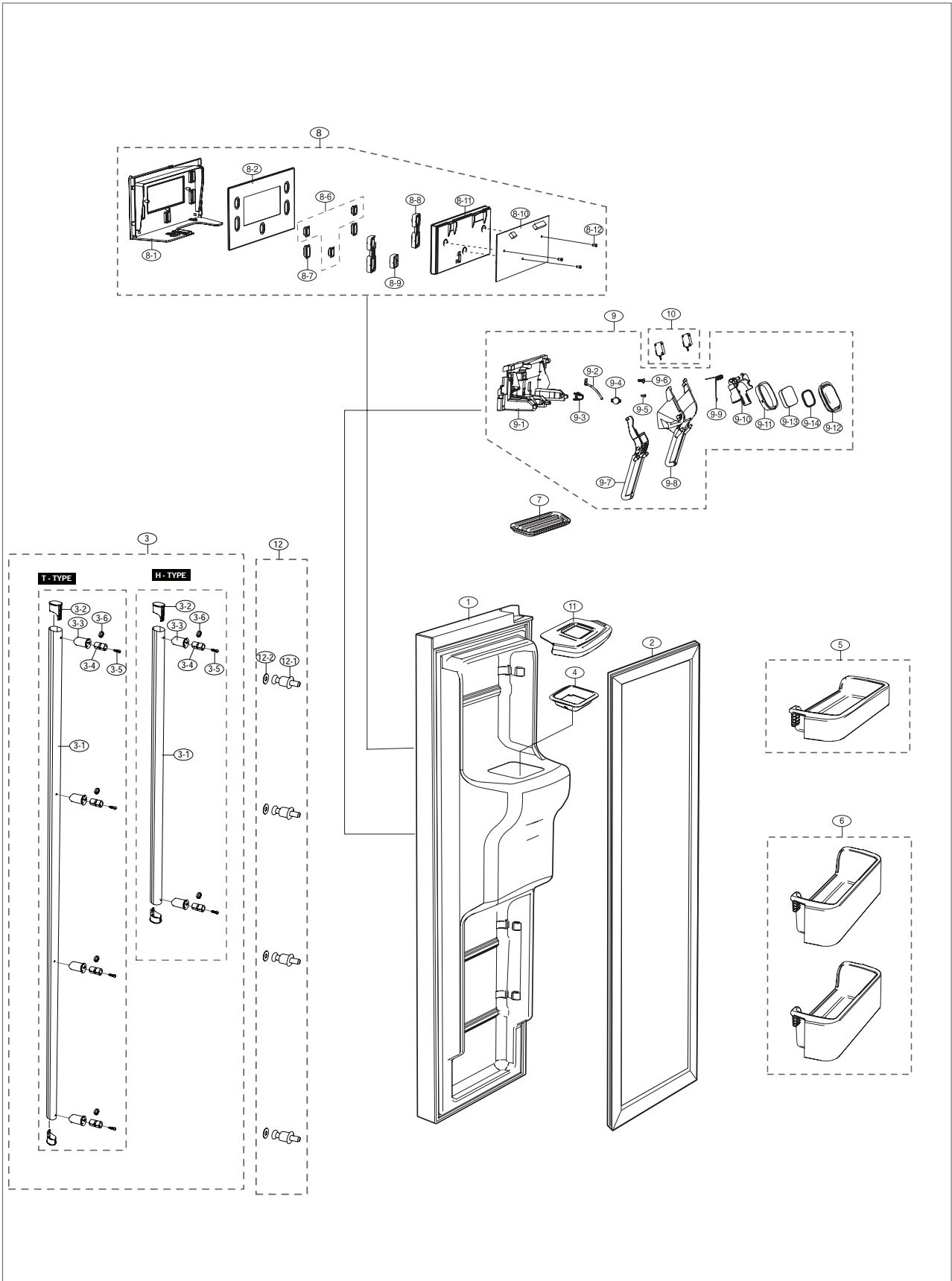
EXPLODED VIEW & PART LIST

■ Parts List of Cabinet and Unit (RSA1N RSA1S RSA1W)

NO	CODE NO	PART NAME	Specification	Quantity	Remark	Electric Part
30	DA97-05808A	ASSY SUPPORT-CIRCUIT MOTOR		1		YES
30-1	6003-000003	SCREW-TAPTITE	BH,B,M4,L10,ZPC(BLK),	2		
30-2	DA31-00146B	MOTOR BLDC	DRCP5030LA,1560,DC1	1		YES
30-3	DA61-03870A	BRACKET-CIRCUIT MO	ABS,NEXT,NTR	1		
30-4	DA61-03871A	SUPPORT-CIRCUIT MO	ABS,T2	1		
30-7	DA63-01146A	GROMMET-MOTOR,RE	NBR,ID6.5	2		
30-8	DA63-40167A	GROMMET-COVER CH	T3.0,SILICON,	1		
30-9	DA96-00420A	ASSY HARNESS-MOTC	UL(MOTOR),C-FAN	1		YES
31	DA62-20111B	TUBE-FITTING	POM,SRS6580Z,OD8.1	1		
35	DA61-06023A	ASSY-CASE PBA MAIN		1	RSA1N	YES
35	DA61-06024A	ASSY-CASE PBA MAIN		1	RSA1S	YES
35	DA97-06023L	ASSY-CASE PBA MAIN	(120V)	1	RSA1W	YES
35-1	DA61-03918A	CASE-PBA MAIN	PP,MANHATTAN	1	RSA1N	YES
35-1	DA61-03917A	CASE-PBA MAIN	PP,MANHATTAN	1	RSA1S	YES
35-1	DA61-03918A	CASE-PBA MAIN	PP MANHATTAN,115V	1	RSA1W	YES
35-2	DA41-00532D	PBA MAIN	TOP OF REF,FR-1,247	1	RSA1N (Vacation)	YES
35-2	DA41-00532E	PBA MAIN	TOP OF REF,FR-1,247	1	RSA1N (Power Cool)	YES
35-2	DA41-00532G	PBA MAIN	TOP OF REF,FR-1,247	1	RSA1S (Vacation)	YES
35-2	DA41-00532H	PBA MAIN	TOPOFREF,FR-1,247,120V	1	RSA1W	YES
35-3	DA41-00424C	COIL FILTER	USP05(SRT768),5mH,27	1		YES
35-4	DA41-00536A	PBA INVERTER	INVERTER	1	RSA1S	YES
35-5	DA27-0004C	REACTOR	7.5mH, 0.06ohm	1		YES
38	DA97-05787A	ASSY COVER-PBA MA	SBHG1+FOAM-PE	1		
42	DA97-05771A	ASSY COVER-COMP	SBHG1,T0.35	1		
45	DA61-03151A	BRACKET-HINGE LOW	AL(6063),T3.0	1		

EXPLODED VIEW & PART LIST

5-7) Freezer Door (RSA1Z RSA1J RSA1D RSA1U)



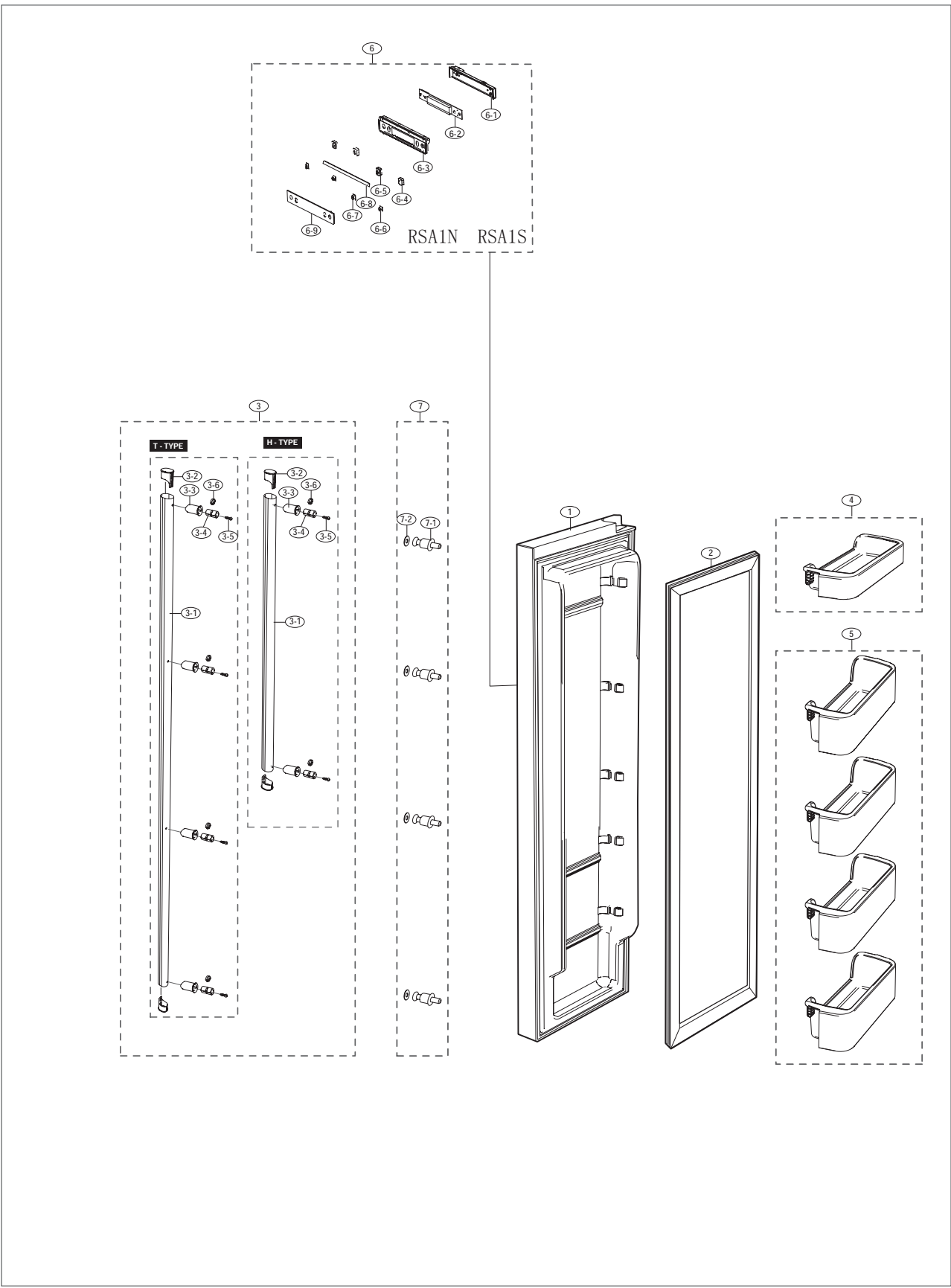
EXPLODED VIEW & PART LIST

■ Parts List of Freeze Door(RSA1Z RSA1J RSA1D RSA1U)

NO	CODE NO	PART NAME	Specification	Quantity	Remark	Electric Part
1	DA91-02666A	ASSY DOOR FOAM FRE		1		
2	DA90-04251A	ASSY GASKET-DOOR FRE		1		
3	DA97-06256A	ASSY HANDLE-BAR		1		
3-1	DA64-02389A	HANDLE BAR	ABS, LONG BAR	1		
3-2	DA67-01886A	CAP-HANDLE	ABS, T2, NTR, LONG	4		
3-3	6002-000216	SCREW-TAPPING	TH, +, -, 1, M4, L12, ZPC(W	4	T-Handle	
3-4	6002-001341	SCREW-SPECIAL	BH, +, -, M4, L16, ZPC(W	4		
3-5	DA61-03906A	SUPPORT-HANDLE	NY66, NTR	4		
3-6	DA61-03951A	STOPPER-HANDLE	SK5	4		
3	DA64-02389A	ASSY HANDLE-BAR		1		
3-1	DA64-02412A	HANDLE BAR	ABS, HALF BAR	1		
3-2	DA67-01886A	CAP-HANDLE	ABS, T2, NTR, LONG	2		
3-3	DA67-01887A	CAP-SUPT HANDLE	ABS, SC-00477R	2	H-Handle	
3-4	DA61-03906A	SUPPORT-HANDLE	NY66, NTR	2		
3-5	6002-001341	SCREW-SPECIAL	BH, +, -, M4, L16, ZPC(W	2		
3-6	DA61-03951A	STOPPER-HANDLE	SK5	2		
4	DA67-01865A	CAP-CHUTE ICE	ABS, T1.8	1		
5	DA63-04017A	GUARD FRE-UPP	PP, COOL WHITE	1		
6	DA63-03996A	GUARD FRE-LOW	PP, COOL W	2		
7	DA63-04001A	TRAY DISPENSER	ABS, T2.5	1		
8	DA97-06018A	ASSY COVER DISPLAY		1		YES
8-1	DA63-04027A	COVER-DISPLAY	ABS	1		
8-2	DA63-04213A	COVER DISPLAY-SUB	ACRYL	1		
8-6	DA64-02384A	BUTTON-CONTROL B	ABS, SC-07010	3		
8-7	DA64-02387A	BUTTON-CONTROL A	ABS, SC-07010	2		
8-8	DA63-03944A	GROMMET-BUTTON CONTR	SILICON,	2		
8-9	DA63-03945A	GROMMET-BUTTON CONTR	SILICON,	1		
8-10	DA41-00533A	PBA DISPLAY-LED PANEL PBA		1	Vacation	YES
8-10	DA41-00533B	PBA DISPLAY-LED PANEL PBA		1	Power Cod	YES
8-11	DA61-04100A	CASE-PBA DISPLAY	PP, T1.8	1		
8-12	6002-000534	SCREW-TAPPING	PH, 2S, M3, L8, ZPC(W	3		
9	DA97-06021A	ASSY CASE-LEVER DISPENSER		1		
9-1	DA61-04038A	CASE-LEVER DISPENSER	ABS(HG-076	1		
9-2	DA61-03928A	SPRING ETC-LEVER DISP W	STS304,	1		
9-3	DA61-03909A	BRACKET-OIL DAMPER	ABS, SC-93437	1		
9-4	DA61-01869A	OIL DAMPER	POM, 120g/Cm, OD15	1		
9-5	6002-000534	SCREW-TAPPING	PH, 2S, M3, L8, ZPC(W	1		
9-6	6002-000473	SCREW-TAPPING	TH, 1, M4, L14, PASS, S	1		
9-7	DA66-00521A	LEVER DISPENSER-WATER	SAN	1		
9-8	DA66-00520A	LEVER DISPENSER-ICE	SAN	1		
9-9	DA61-03929A	SPRING ETC-COVER ICE RO	STS304, 1.0	1		
9-10	DA63-03950A	COVER-ICE ROUTE A	ABS, T2.5, BL	1		
9-11	DA63-03939A	COVER-ICE ROUTE B	ABS, T1.8, BL	1		
9-12	DA63-03941A	GASKET-COVER ICE ROUTE	SILICON, T1.5	1		
9-13	DA62-01669A	SEAL-COVER ICE ROUTE	FOAM-LEX, WHITE	1		
9-14	DA62-01710A	SEAL-COVER ICE ROUTE	FOAM-LEX, WHITE	1		
10	DA34-00011B	SWITCH MICRO	250V, 16A	2		YES
11	DA63-03995A	GUARD FRE-SUB	ABS, T2.0	1		
12	DA97-05790A	ASSY BRACKET-HANDLE		2		
12-1	DA61-03927A	BRACKET-HANDLE	SWRC10A, FH	1	H-Handle	
12-2	DA63-03943A	GROMMET-HANDLE	SILICON, T1	1		
12	DA97-05790A	ASSY BRACKET-HANDLE		4		
12-1	DA61-03927A	BRACKET-HANDLE	SWRC10A, FH	1	T-Handle	
12-2	DA63-03943A	GROMMET-HANDLE	SILICON, T1	1		

EXPLODED VIEW & PART LIST

5-8) Freezer Door (RSA1N RSA1S RSA1W)



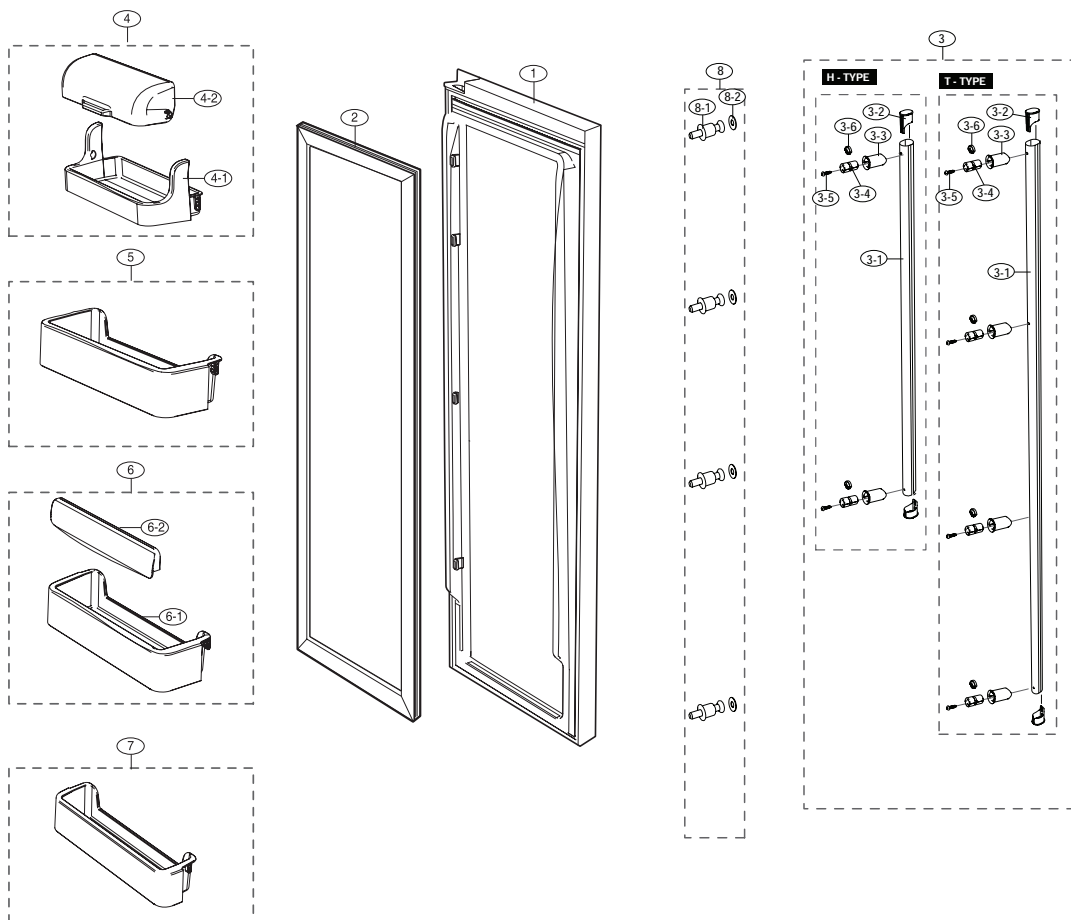
EXPLODED VIEW & PART LIST

■ Parts List of Freezer Door (RSA1N RSA1S RSA1W)

NO	CODE NO	PART NAME	Specification	Quantity	Remark	Electric Part
1	DA91-02674A	ASSY DOOR FOAM FRE		1		
2	DA90-04251A	ASSY GASKET-DOOR FRE		1		
3	DA64-02389A	ASSY HANDLE-BAR		1	H Handle	
3-1	DA64-02412A	HANDLE BAR	ABS,HALF BAR	1		
3-2	DA67-01886A	CAP-HANDLE	ABS,T2,NTR,LONG	4		
3-3	DA67-01887A	CAP-SUPT HANDLE	ABS,SC-00477R	4		
3-4	DA61-03906A	SUPPORT-HANDLE	NY66,NTR	4		
3-5	6002-001341	SCREW-SPECIAL	BH,+,-,M4,L16,ZPC	4		
3-6	DA61-03951A	STOPPER-HANDLE	SK5	4		
3	DA97-06256A	ASSY HANDLE-BAR		1	T Handle	
3-1	DA64-02389A	HANDLE BAR	ABS,LONG BAR	1		
3-2	DA67-01886A	CAP-HANDLE	ABS,T2,NTR,LONG	2		
3-3	6002-000216	SCREW-TAPPING	TH,+,-,1,M4,L12,ZP	2		
3-4	6002-001341	SCREW-SPECIAL	BH,+,-,M4,L16,ZPC	2		
3-5	DA61-03906A	SUPPORT-HANDLE	NY66,NTR	2		
3-6	DA61-03951A	STOPPER-HANDLE	SK5	2		
4	DA63-04017A	GUARD FRE-UPP	PP,COOL WHITE	1		
5	DA63-03643A	GUARD FRE-LOW	PP,COOL W	4		
6	DA97-06019A	ASSY COVER DISPLAY		1	RSA1N RSA1S	
6-1	DA61-04101A	CASE-PBA DISPLAY	PP,T1.8,N	1		
6-2	DA41-00535A	PBA DISPLAY-LED PANEL PBA		1	Vacation	YES
6-2	DA41-00535B	PBA DISPLAY-LED PANEL PBA		1	Power Coo	YES
6-3	DA63-04085A	COVER DISPLAY	ABS	1		
6-4	DA63-04216A	GROMMET-BUTTON CONT	SILICON,	2		
6-5	DA63-03945A	GROMMET-BUTTON CONT	SILICON,	2		
6-6	DA64-02453A	BUTTON-CONTROL C	ABS,SC-07010	2		
6-7	DA64-02384A	BUTTON-CONTROL B	ABS,SC-07010	2		
6-8	DA64-02431A	TRIM-DECO DISPLAY	ABS,CHROME 증착	1		
6-9	DA63-04214A	COVER DISPLAY-SUB	ACRYL	1		
7	DA97-05790A	ASSY BRACKET-HANDLE		2	H Handle	
7-1	DA61-03927A	BRACKET-HANDLE	SWRC10A,FH	1		
7-2	DA63-03943A	GROMMET-HANDLE	SILICON,T1	1		
7	DA97-05790A	ASSY BRACKET-HANDLE		4	T Handle	
7-1	DA61-03927A	BRACKET-HANDLE	SWRC10A,FH	1		
7-2	DA63-03943A	GROMMET-HANDLE	SILICON,T1	1		

EXPLODED VIEW & PART LIST

5-9)Fridge Door (RSA1J RSA1D RSA1U RSA1N RSA1S)



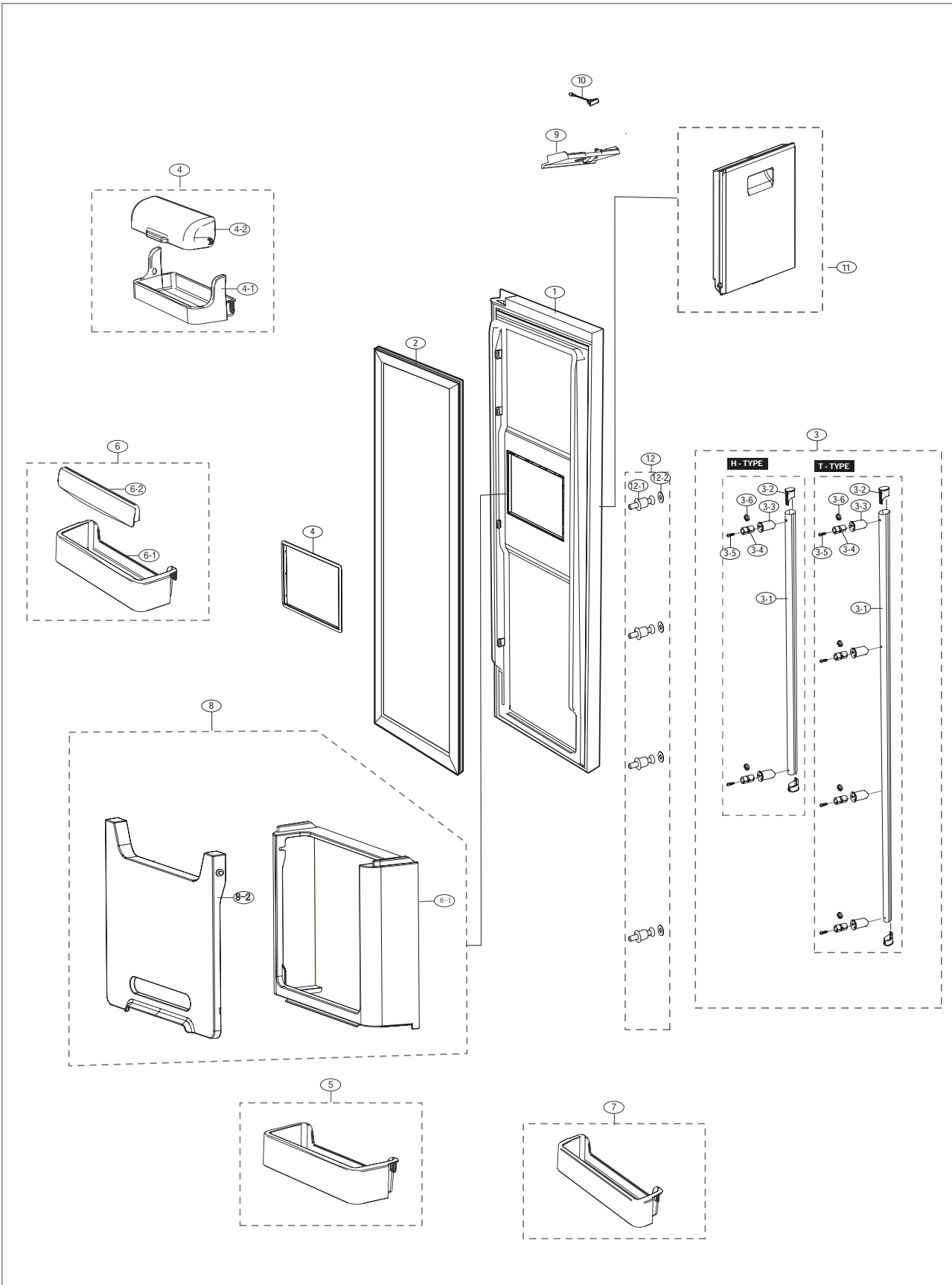
EXPLODED VIEW & PART LIST

■ Parts List of Fridge Door (RSA1J RSA1D RSA1U RSA1N RSA1S)

NO	CODE NO	PART NAME	Specification	Quantity	Remark	Electric Part
1	DA91-02675A	ASSY DOOR FOAM REF		1		
2	DA90-04251B	ASSY GASKET-DOOR REF		1		
3	DA97-06256A	ASSY HANDLE-BAR		1		
3-1	DA64-02389A	HANDLE BAR	ABS, LONG BAR	1	T Handle	
3-2	DA67-01886A	CAP-HANDLE	ABS, T2, NTR, LONG	4		
3-3	6002-000216	SCREW-TAPPING	TH, +, -, 1, M4, L12, ZPC(WH	4		
3-4	6002-001341	SCREW-SPECIAL	BH, +, -, M4, L16, ZPC(WHT	4		
3-5	DA61-03906A	SUPPORT-HANDLE	NY66, NTR	4		
3-6	DA61-03951A	STOPPER-HANDLE	SK5	4		
3	DA64-02389A	ASSY HANDLE-BAR		1		H Handle
3-1	DA64-02412A	HANDLE BAR	ABS, HALF BAR	1		
3-2	DA67-01886A	CAP-HANDLE	ABS, T2, NTR, LONG	2		
3-3	DA67-01887A	CAP-SUPT HANDLE	ABS, SC-00477R	2		
3-4	DA61-03906A	SUPPORT-HANDLE	NY66, NTR	2		
3-5	6002-001341	SCREW-SPECIAL	BH, +, -, M4, L16, ZPC(WHT	2		
3-6	DA61-03951A	STOPPER-HANDLE	SK5	2		
4	DA97-05891A	ASSY GUARD-DAIRY		1		
4-1	DA63-03955A	GUARD-DAIRY	ABS, T2.5, COOL	1		
4-2	DA63-03954A	COVER-GUARD DAIRY	GPPS/HF2660	1		
5	DA63-03999A	GUARD REF-UPP	PP, COOL W	1		
6	DA97-05890A	ASSY GUARD REF-MID		1		
6-1	DA63-03998A	GUARD REF-MID	PP, -, -, -, COOL WHITE, 1P	1		
6-2	DA61-03993A	GUIDE BOTTLE-REF	PP, T2.5, -, -, COOL-WHITE	1		
7	DA63-03997A	GUARD REF-LOW	PP, COOL W	1		
8		ASSY-BRACKET HANDLE		2	H Handle	
8-1	DA61-03927A	BRACKET-HANDLE	SWRC10A, FH	1		
8-2	DA63-03943A	GROMMET-HANDLE	SILICON, T1	1		
8		ASSY-BRACKET HANDLE		4	T Handle	
8-1	DA61-03927A	BRACKET-HANDLE	SWRC10A, FH	1		
8-2	DA63-03943A	GROMMET-HANDLE	SILICON, T1	1		

EXPLODED VIEW & PART LIST

5-10) Fridge Door (RSA1Z)



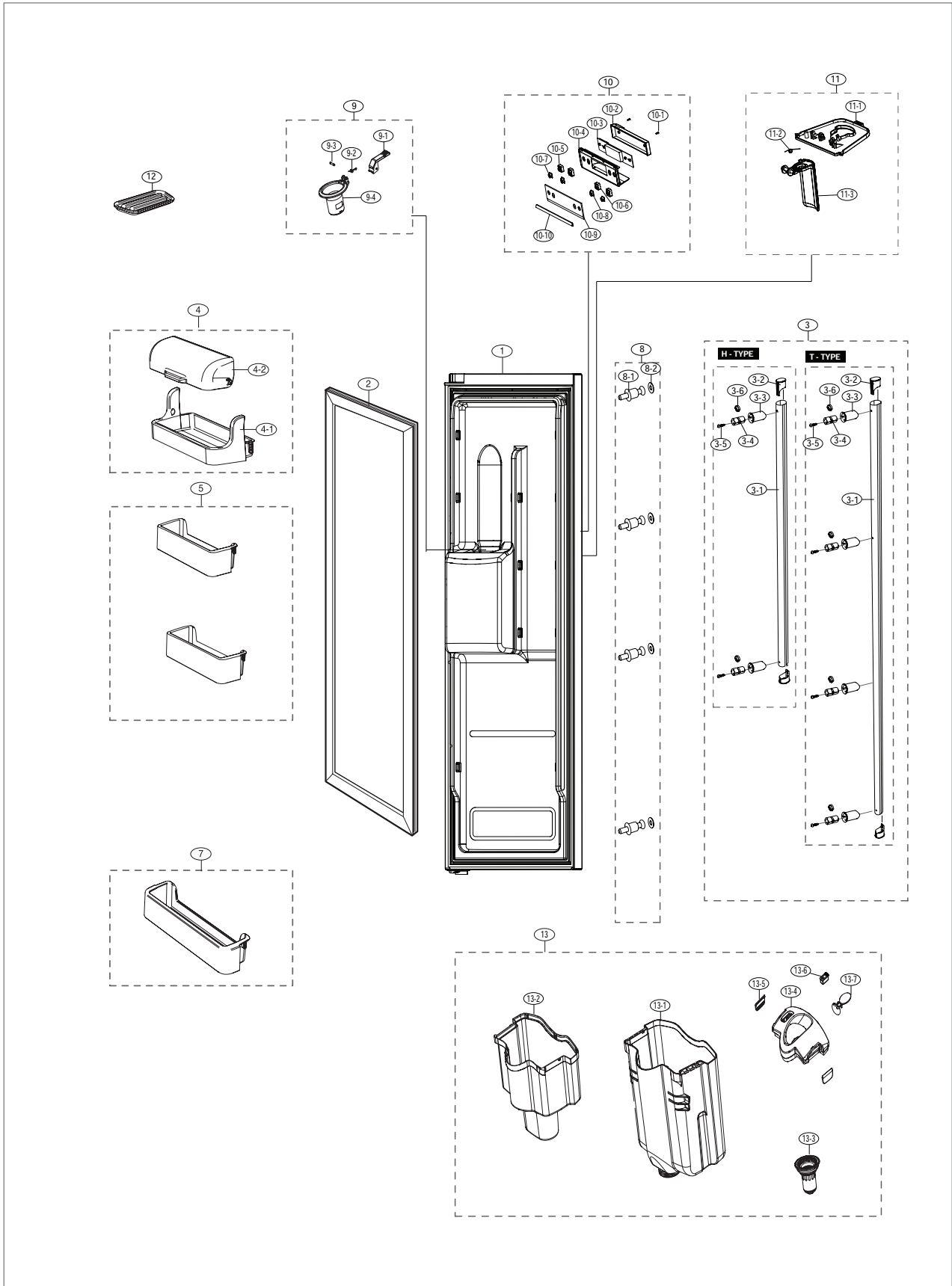
EXPLODED VIEW & PART LIST

■ Parts List of Fridge Door (RSA1Z)

NO	CODE NO	PART NAME	Specification	Quantity	Remark	Electric Part
1	DA91-02670A	ASSY DOOR FOAM REF		1		YES
2	DA90-04251B	ASSY GASKET-DOOR REF		1		
3	DA64-02389A	ASSY HANDLE-BAR		1		
3-1	DA64-02412A	HANDLE BAR	ABS,HALF BAR	1	H HANDLE	
3-2	DA67-01886A	CAP-HANDLE	ABS,T2,NTR,LONG	2		
3-3	DA67-01887A	CAP-SUPT HANDLE	ABS,SC-00477R	2		
3-4	DA61-03906A	SUPPORT-HANDLE	NY66,NTR	2		
3-5	6002-001341	SCREW-SPECIAL	BH,+,-,M4,L16,ZPC(WHT),SV	2		
3-6	DA61-03951A	STOPPER-HANDLE	SK5	2		
3	DA97-06256A	ASSY HANDLE-BAR		1		
3-1	DA64-02389A	HANDLE BAR	ABS,LONG BAR	1	T HANDLE	
3-2	DA67-01886A	CAP-HANDLE	ABS,T2,NTR,LONG	4		
3-3	6002-000216	SCREW-TAPPING	TH,+,-,1,M4,L12,ZPC(WHT)	4		
3-4	6002-001341	SCREW-SPECIAL	BH,+,-,M4,L16,ZPC(WHT),SV	4		
3-5	DA61-03906A	SUPPORT-HANDLE	NY66,NTR	4		
3-6	DA61-03951A	STOPPER-HANDLE	SK5	4		
4	DA97-05891A	ASSY GUARD-DAIRY		1		
4-1	DA63-03955A	GUARD-DAIRY	ABS,T2.5,COOL	1		
4-2	DA63-03954A	COVER-GUARD DAIRY	GPPS/HF2660	1		
5	DA63-03999A	GUARD REF-UPP	PP,COOL W	1		
6	DA97-05890A	ASSY GUARD REF-MID		1		
6-1	DA63-03998A	GUARD REF-MID	PP,-,-,COOL WHITE,1PIEC	1		
6-2	DA61-03993A	GUIDE BOTTLE-REF	PP,T2.5,-,-,COOL-WHITE,-	1		
7	DA63-03997A	GUARD REF-LOW	PP,COOL W	1		
8	DA97-05893A	ASSY COVER-DOOR RECESS		1		
8-1	DA63-04002A	COVER DOOR-RECESS	ABS	1		
8-2	DA61-03994A	CASE-DOOR RECESS	GPPS/HF2660	1		
9	DA61-04025A	STOPPER DOOR-HOME	NY-66,O.D-35MM	1		
10	DA34-00046B	SWITCH SENSITIVE	200VDC,0.5A	1		YES
11	DA91-02720B	ASSY-HOME BAR FOAM REF		1		
12		ASSY-BRACKET HANDLE		4		
12-1	DA61-03927A	BRACKET-HANDLE	SWRC10A,FH	1	H HANDLE	
12-2	DA63-03943A	GROMMET-HANDLE	SILICON,T1	1		
12		ASSY-BRACKET HANDLE		4		
12-1	DA61-03927A	BRACKET-HANDLE	SWRC10A,FH	1	T HANDLE	
12-2	DA63-03943A	GROMMET-HANDLE	SILICON,T1	1		

EXPLODED VIEW & PART LIST

5-9) Fridge Door (RSA1W)



EXPLODED VIEW & PART LIST

■ Parts List of Fridge Door (RSA1W)

NO	CODE NO	PART NAME	Specification	Quantity	Remark	Electric Part
1	DA91-02671A	ASSY DOOR FOAM FRE		1		
2	DA90-04251B	ASSY GASKET-DOOR FRE		1		
3	DA64-02389A	ASSY HANDLE-BAR		1		
3-1	DA64-02412A	HANDLE BAR	ABS,HALF BAR	1	H Handle	
3-2	DA67-01886A	CAP-HANDLE	ABS,T2,NTR,LON	4		
3-3	DA67-01887A	CAP-SUPT HANDLE	ABS,SC-00477R	4		
3-4	DA61-03906A	SUPPORT-HANDLE	NY66,NTR	4		
3-5	6002-001341	SCREW-SPECIAL	BH,+,-,M4,L16,ZP	4		
3-6	DA61-03951A	STOPPER-HANDLE	SK5	4		
3	DA97-06256A	ASSY HANDLE-BAR		1		
3-1	DA64-02389A	HANDLE BAR	ABS,LONG BAR	1	T Handle	
3-2	DA67-01886A	CAP-HANDLE	ABS,T2,NTR,LON	2		
3-3	6002-000216	SCREW-TAPPING	TH,+,-,1,M4,L12,Z	2		
3-4	6002-001341	SCREW-SPECIAL	BH,+,-,M4,L16,ZP	2		
3-5	DA61-03906A	SUPPORT-HANDLE	NY66,NTR	2		
3-6	DA61-03951A	STOPPER-HANDLE	SK5	2		
4	DA97-05891A	ASSY GUARD-DAIRY		1		
4-1	DA63-03955A	GUARD-DAIRY	ABS,T2.5,COOL	1		
4-2	DA63-03954A	COVER-GUARD DAIRY	GPPS/HF2660	1		
5	DA63-03994A	GUARD VARIETY	PP,COOL W	2		
7	DA63-03997A	GUARD -LOW	PP,COOL W	1		
8	DA97-05790A	ASSY BRACKET-HANDLE		2		
8-1	DA61-03927A	BRACKET-HANDLE	SWRC10A,FH	1	H Handle	
8-2	DA63-03943A	GROMMET-HANDLE	SILICON,T1	1		
8	DA97-05790A	ASSY BRACKET-HANDLE		4		
8-1	DA61-03927A	BRACKET-HANDLE	SWRC10A,FH	1	T Handle	
8-2	DA63-03943A	GROMMET-HANDLE	SILICON,T1	1		
9	DA97-05788A	ASSY-FIXER CASE		1		
9-1	DA66-00524A	LEVER DISPENSER	ABS,SC-02	1		
9-2	DA61-03945A	SPRING ETC-TORSION	STS304,PI0.75	1		
9-3	DA66-00525A	SHAFT-DISP	PC/ABS,OD3.0,L2	1		
9-4	DA61-03919A	FIXER-CASE	ABS,SC-02740R,0	1		
10	DA97-06020A	ASSY COVER DISPLAY		1		YES
10-1	6002-000534	SCREW-TAPPING	M3,L8,ZPC(WHT)	2		
10-2	DA63-04056A	COVER-DISPLAY	ABS	1		
10-3	DA41-00534A	PBA DISPLAY-LED PANEL	PBA	1		
10-4	DA61-03888A	CASE-PBA DISPLAY	PP,T1.8,N	1		
10-5	DA63-03945A	GROMMET-BUTTON CON	SILICON,	2		
10-6	DA63-04216A	GROMMET-BUTTON CON	SILICON,	2		
10-7	DA64-02453A	BUTTON-CONTROL C	ABS,SC-07010	2		
10-8	DA64-02384A	BUTTON-CONTROL B	ABS,SC-07010	2		
10-9	DA63-04387A	COVER-DISPLAY SUB	ACRYL	1		
10-10	DA64-02432A	TRIM-DECO DISPLAY	ABS,CHROME	1		
11	DA97-06022A	ASSY CASE-LEVER DISPENSER		1		
11-1	DA61-04251A	CASE-LEVER DISPENSER	ABS	1		
11-2	DA61-03942A	SPRING ETC-LEVER	SR-5066,STS304	1		
11-3	DA66-00570A	LEVER DISPENSER-OUT	SAN	1		
12	DA63-04232A	TRAY DISPENSER	ABS	1		
13	DA97-06073A	ASSY TANK WATER-REF		1		
13-1	DA67-02043A	TANK WATER	PP	1		
13-2	DA61-04039A	CASE FILTER TANK	ABS	1		
13-3	DA97-00217D	ASSY COCK DISPENSER		1		
13-4	DA63-04028A	COVER TANK WATER	ABS	1		
13-5	DA65-00048A	CLAMPER BAG-CLAMP TA	PC+ABS	2		
13-6	DA97-05895A	ASSY INDICATOR-FILTER		1		
13-7	DA67-01903A	CAP WATER TANK	ABS	1		