



# FREEZER/REFRIGERATOR

Model : RL39WB

RL36EB/RL39EB

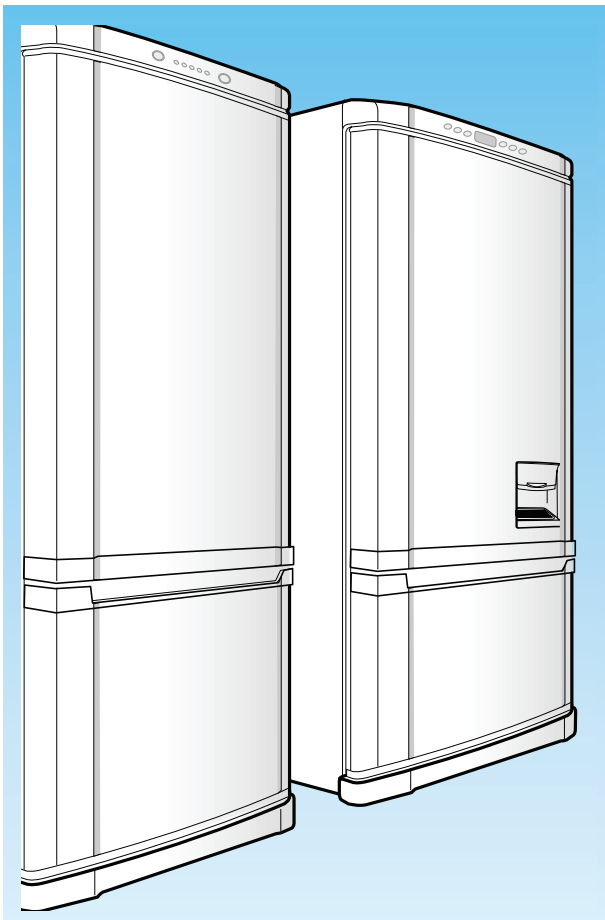
RL36SB/RL39SB

For the latest parts information, Please access to our service web site (<http://www.e4buyer.com/refrigerator>)



# **SERVICE**Manual

## FREEZER / REFRIGERATOR

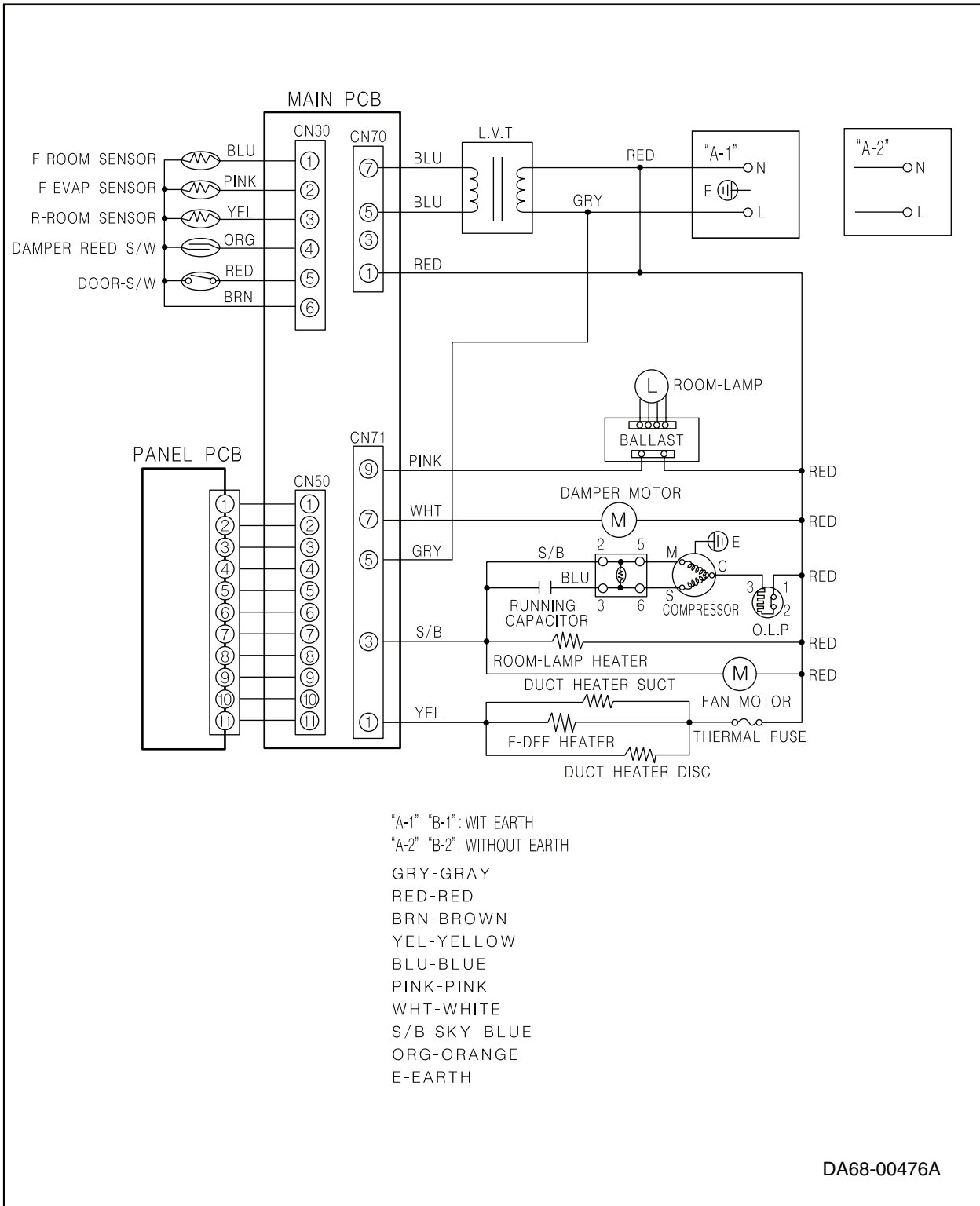


## CONTENTS

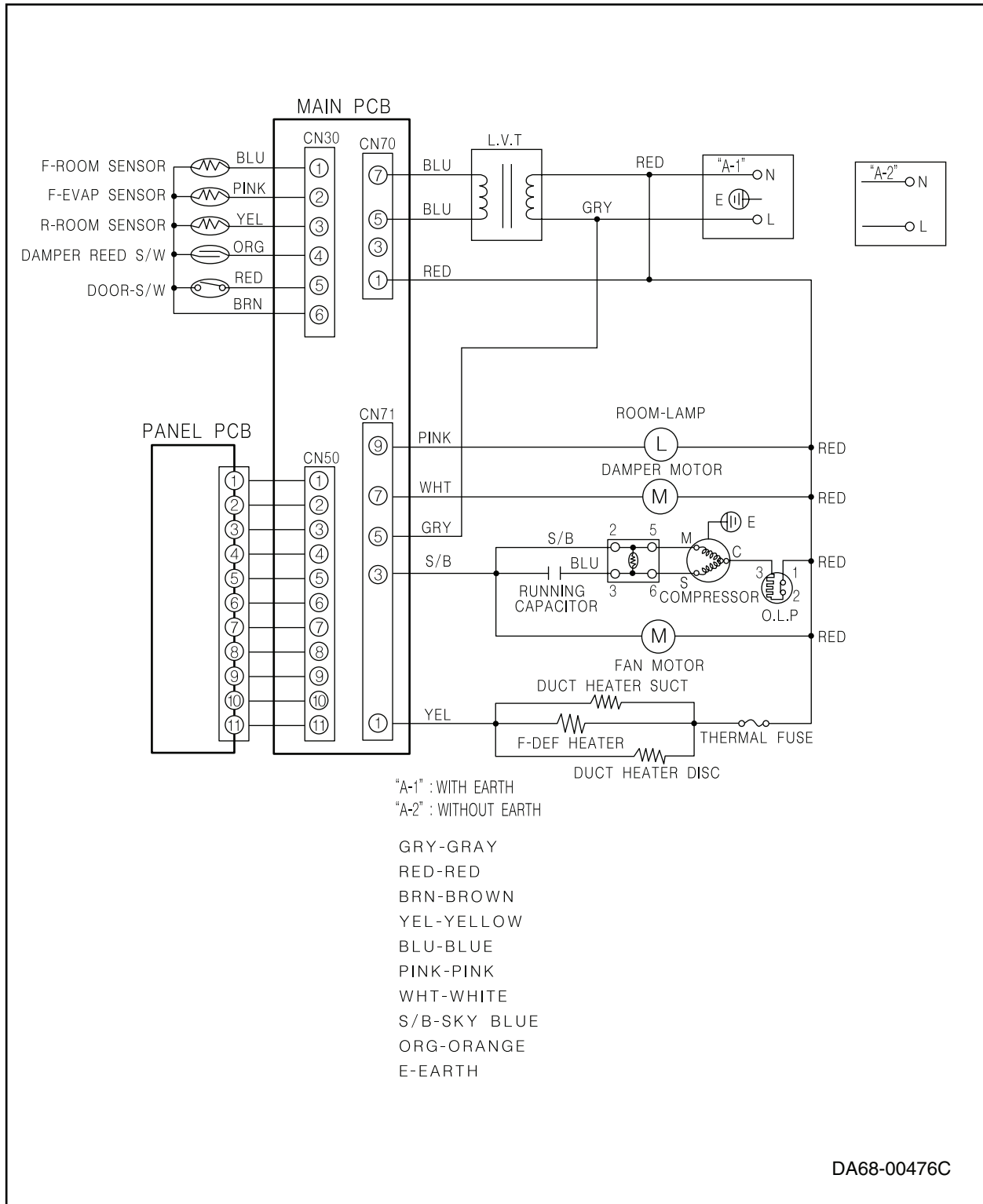
1. Circuit Diagram .....	1
2. Exploded View .....	4
3. Disassembly & Assembly .....	12
3-1.Replacement of refrigerator fluorescent lamp ....	12
3-2.Replacement of refrigerator fluorescent lamp .....	12
3-3.Disassembly of the cooling cycle unit in the freezer ....	13
3-4.Assembly of mechanic compartment in the refrigerator.....	15
3-5.Electric box assembly .....	16
3-6.Disassembly of Top Table .....	17

# 1. Circuit Diagram

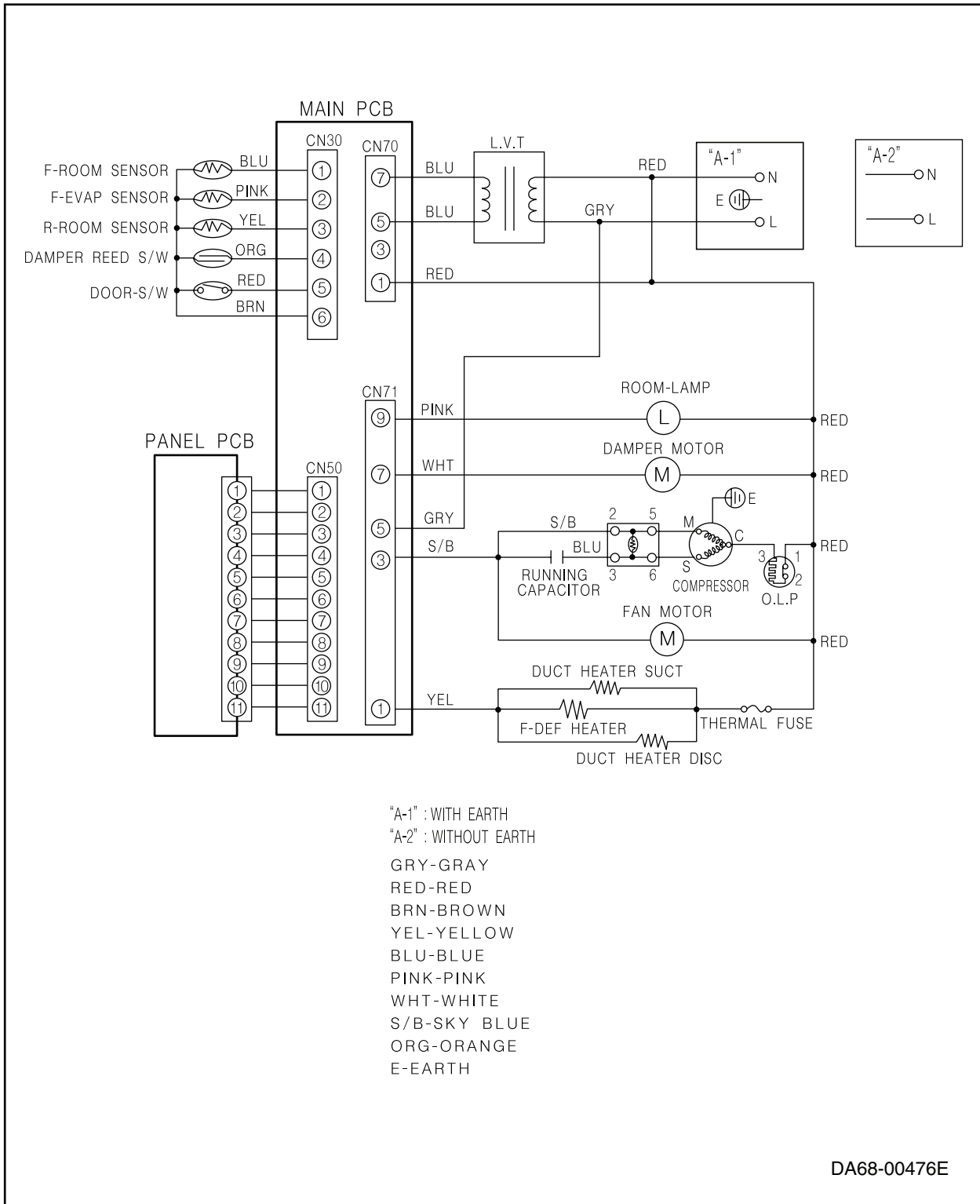
## 1-1. ELECTRONIC MODEL for Fluorescent Lamp Option



## 1-2. ELECTRONIC MODEL for Incandescent Lamp Option

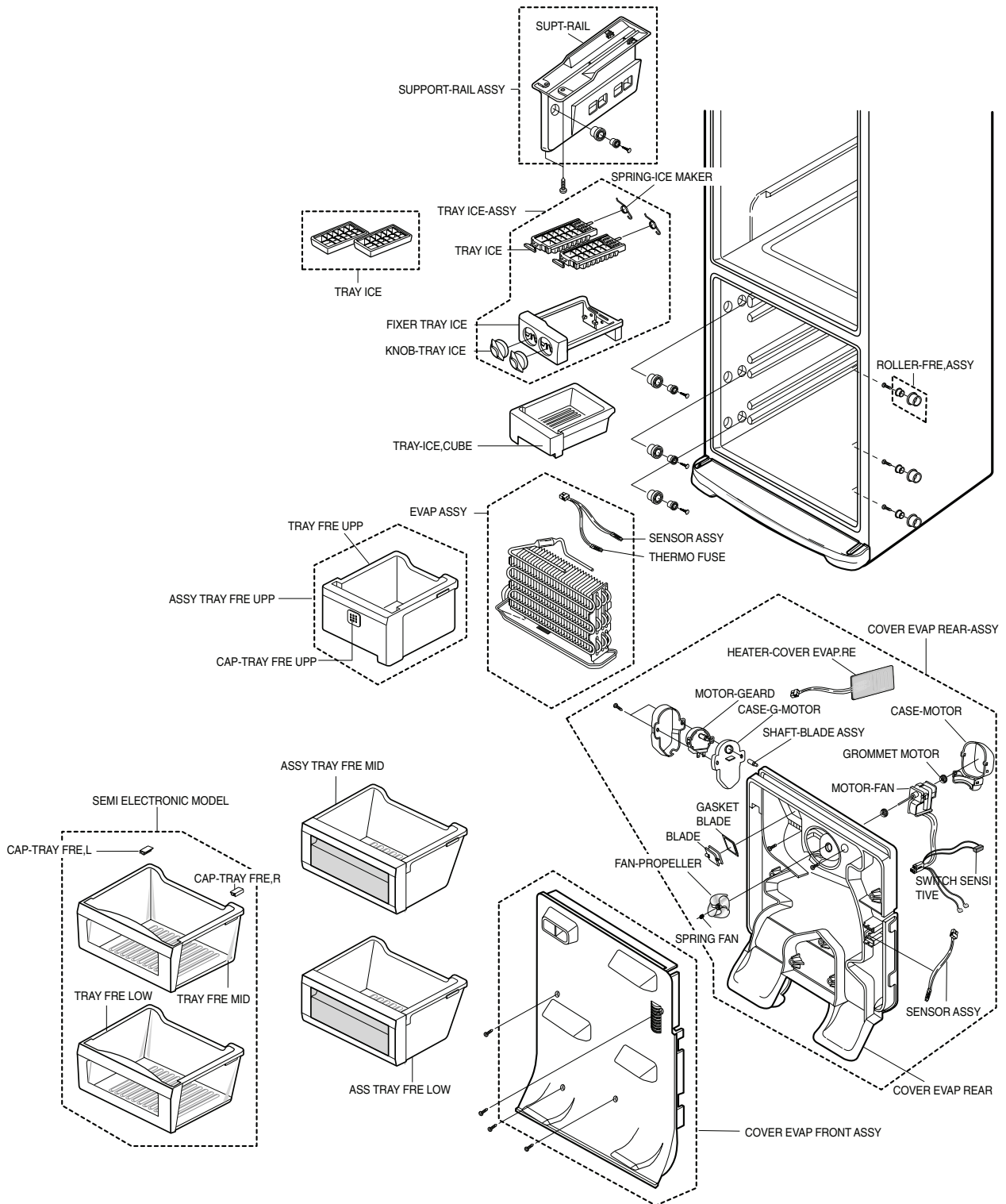


# 1-3. SEMI-ELECTRONIC MODEL



# 2. Exploded View

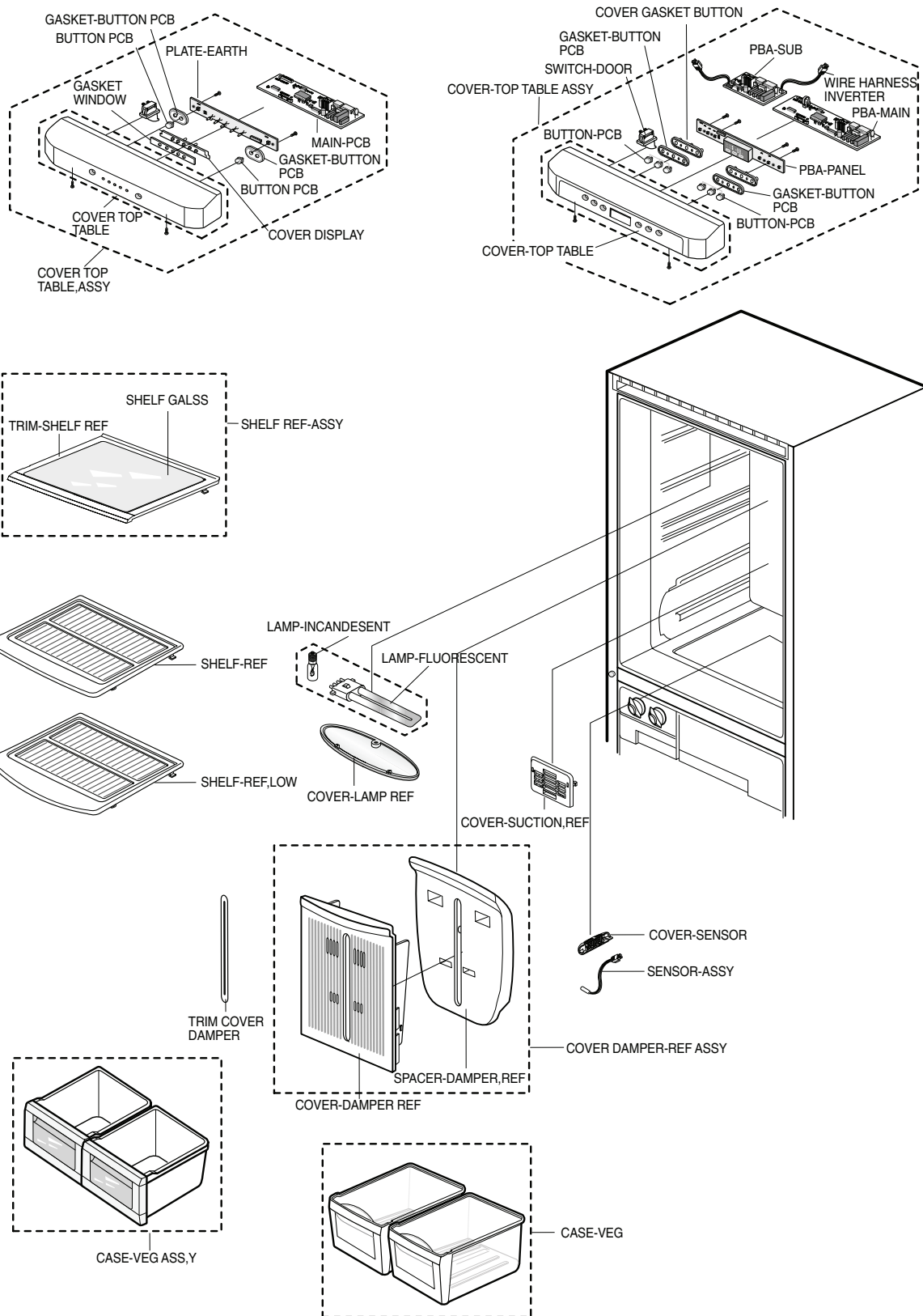
## 2-1. Freezer Compartment



## ■ Freezer List

NO	CODE-NO	ITEM	SPECIFICATION	OPTION		
				RL36/39E	RL39W	RL36/39S
1	DA63-00395C	COVER EVAP-FRONT,ASSY	PP,T2.0,TWIST	●	●	
	DA63-00395D		PP,T2.0,SEMI			●
	DA63-00395E		PP(NTR),T2.0,TWIST	●	●	
	DA63-00395F		PP(NTR),T2.0,SEMI			●
2	DA66-00093A	ROLLER-FRE-ASSY	POM,SR-35	●	●	●
3	DA97-01392A	ASSY TRAY-FRE,LOW	PREMIUM	●	●	
4	DA97-01457A	ASSY TRAY-FRE,LOW	SEMI			●
5	DA97-01393A	ASSY TRAY-FRE,MID	PREMIUM	●	●	
6	DA97-01456A	ASSY TRAY-FRE,MID	SEMI			●
7	DA97-01394A	ASSY TRAY-FRE,UPP	HIPS	●	●	
8	DA97-01401A	ASSY TRAY-ICE	PREMIUM	●	●	
9	DA97-01434A	ASSY-SUPT RAIL	PREMIUM	●	●	
10	DA63-01708A	TRAY ICE CUBE	HIPS	●	●	
11	DA96-00024A	ASSY-VAP	127V,310W	●	●	●
	DA96-00024B		240V,310W	●	●	●
	DA96-00024C		220V,310W	●	●	●
12	DA32-10105Q	SENSOR ASSY	502AT,-10~35,5V	●	●	●
13	DA47-10162F	THERMO FUSE	250V,10A	●	●	●
14	DA63-00396R	COVER EVAP-REAR,ASSY	230~234V/50Hz	●	●	●
	DA63-00396S		220V/50Hz	●	●	●
	DA97-00150A		127V/60Hz	●	●	●
15	DA31-00002P	MOTOR FAN	230~240V/50Hz	●	●	●
	DA31-00002U		220V/50Hz	●	●	●
	DA31-00002X		127V/60Hz	●	●	●
16	DA31-00019A	FAN-PROPELLER	NTR	●	●	●
17	DA31-00026A	BLADE	PC,NTR,SR-32,35	●	●	●
18	DA31-10107C	MOTOR GEAR	M2LA49Z,220~240V	●	●	●
	DA31-10107B		M2BC59ZR12,110V	●	●	●
19	DA34-10125B	SWITCH SENSITIVE	5V,Black	●	●	●
20	DA47-00056A	HEATER-COVER EVAP.RE	240V,7W	●	●	●
	DA47-00056B		220V,7W	●	●	●
	DA47-00056C		127V,7W	●	●	●
21	DA61-00081A	CASE-MOTOR	PP,NTR	●	●	●
22	DA61-00117A	CASE-G-MOTOR	PP,NTR	●	●	●
23	DA61-20128A	SPRING ETC-FAN	STS27,PI7.8,ID1.0	●	●	●
24	DA63-00237A	COVER-EVAP REAR	PP	●	●	●
25	DA63-00359A	GASKET-BLADE	SILICON,NTR	●	●	●
26	DA66-00095A	SHAFT-BLADE ASSY	POM	●	●	●
27	DA63-00771A	GROMMET-FAN MOTOR	NBR,BLACK	●	●	●
28	DA70-00222B	PLATE-COVER RE	SAZCC,T0.4	●	●	●

## 2-2. Refrigerator Compartment

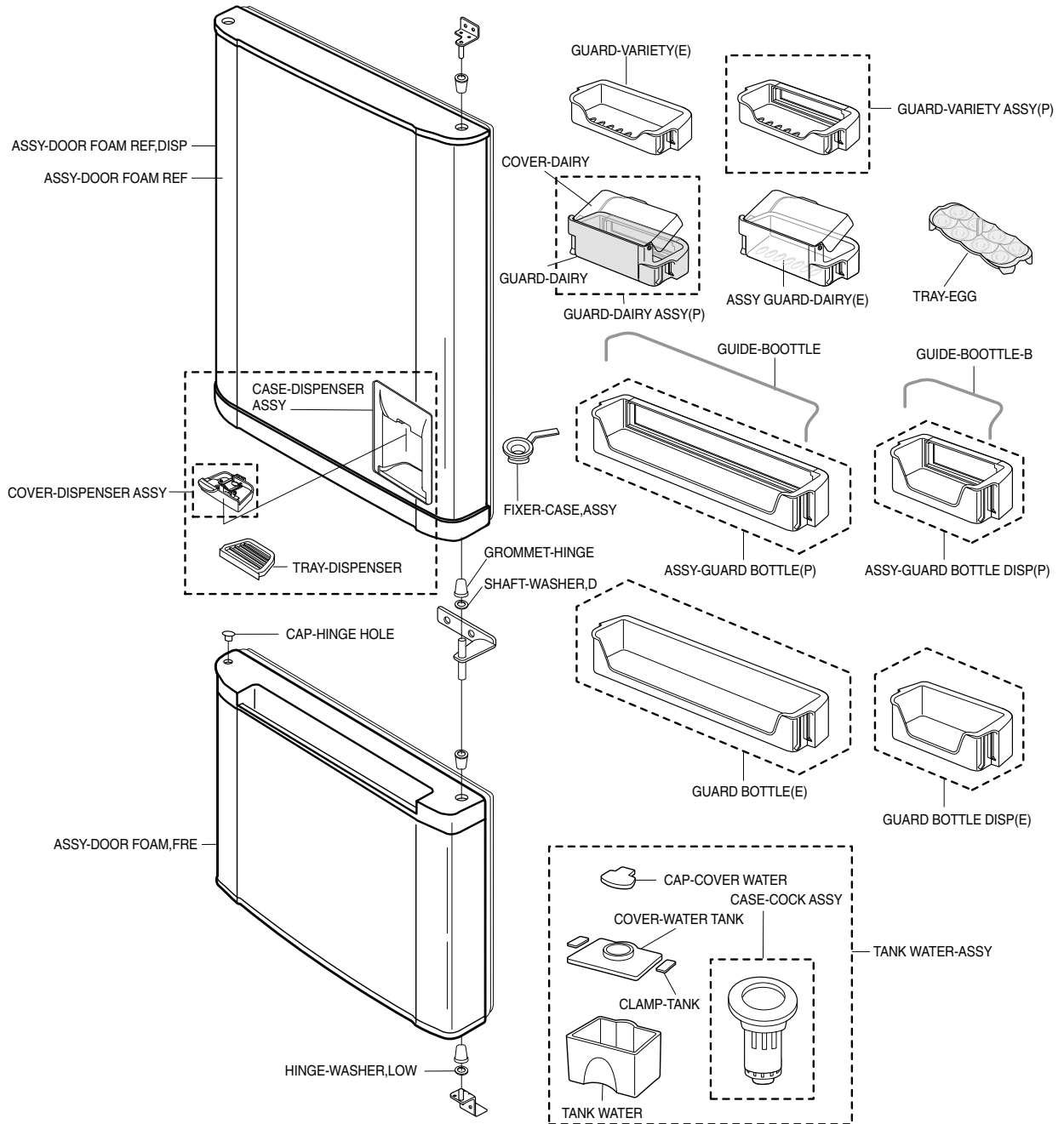


## ■ Refrigerator List

NO	CODE-NO	ITEM	SPECIFICATION	OPTION		
				RL36/39E	RL39W	RL36/39S
1	DA97-01389A	ASSY COVER DAMPER-REF	SC-97527R	●	●	●
2	DA64-00951A	TRIM-COVER DAMPER	HIPS	●	●	●
3	DA97-01387A	ASSY CASE VEG	PREMIUM	●	●	
4	DA61-01314A	CASE VEG	GPPS(HF-2660),NTR			●
5	DA97-01409A	ASSY SHELF REF	GLASS,3-PC,VEG	●	●	
6	DA67-00207B	SHELF REF	GPPS(HF-2660),NTR			●
7	DA67-00206B	SHELF REF,LOW	GPPS(HF-2660),NTR			●
8	DA97-01385A	ASSY COVER-TOP, TABLE	PREMIUM,SNOW WHITE	●	●	
	DA97-01385B		PREMIUM,MIST SILVER	●	●	
9	DA34-00015C	SWITCH DOOR	250VAC,0.24A	●	●	
10	DA39-00119C	WIRE HARNESS-D00R	240V	●	●	
11	DA41-00018C	PBA MAIN	FR-1,250*55	●	●	
12	DA41-00172A	PBA-DISPLAY	258*30	●	●	
13	DA63-01732A	COVER TOP-TABLE	ABS(VT-0823),SNOW WHITE	●	●	
	DA63-01732B		ABS(VT-0823),MIST SILVER	●	●	
14	DA63-01734A	COVER DISPLAY	ABS	●	●	
15	DA63-01755A	GASKET-BUTTON,PCB	SILICONE,BLACK	●	●	
16	DA63-01776A	COVER-GASKET BUTTON	HIPS(HG-1760SF)	●	●	
17	DA64-00963A	BUTTON-PCB	ABS(HG-0760),WHITE	●	●	
18	DA97-01384A	ASSY COVER-TOP, TABLE	SEMI,SNOW WHITE			●
	DA97-01384B		SEMI,MIST SILVER			●
19	DA34-00015C	SWITCH DOOR	250VAC,0.24A			●
20	DA39-00119C	WIRE HARNESS-D00R	240V			●
21	DA41-00042C	PBA MAIN	CABINET,FR-1,248*55			●
22	DA41-00081A	PBA PANEL ASSY	SEMI			●
23	DA41-00043A	PBA PANEL	SEMI			●
24	DA70-00208A	PLATE EARTH	SBHG1,T0.8			●
25	DA63-01754A	COVER TOP-TABLE	ABS,SNOW WHITE			●
	DA63-01754B		ABS,MIST SILVER			●
26	DA63-00444A	GASKET-WINDOW	NBR			●
27	DA63-01750A	GASKET-BUTTON,PCB	SILICONE			●
28	DA64-00959A	BUTTON-PCB	ABS,WHITE,SEMI			●
29	DA63-00235A	COVER-LAMP REF	PP(BJ-730T4),NTR	●	●	●
	DA63-00235B		PP(BJ-730T4),LIGHT BLUE	●	●	●
	DA63-00235C		PP(RJ-700)	●	●	●
30	DA32-10105B	SENSOR ASSY	502AT,-10~35,5V	●	●	●
31	4713-001140	LAMP-INCANDESCENT	240V,25W,BLU,25x	●	●	●
	4713-001141		130V,25W,BLU,25x	●	●	●
32	DA63-00234A	COVER-SUCTION REF	PP,WHITE	●	●	●
33	DA63-10467A	COVER-SENSOR	HIPS	●	●	●



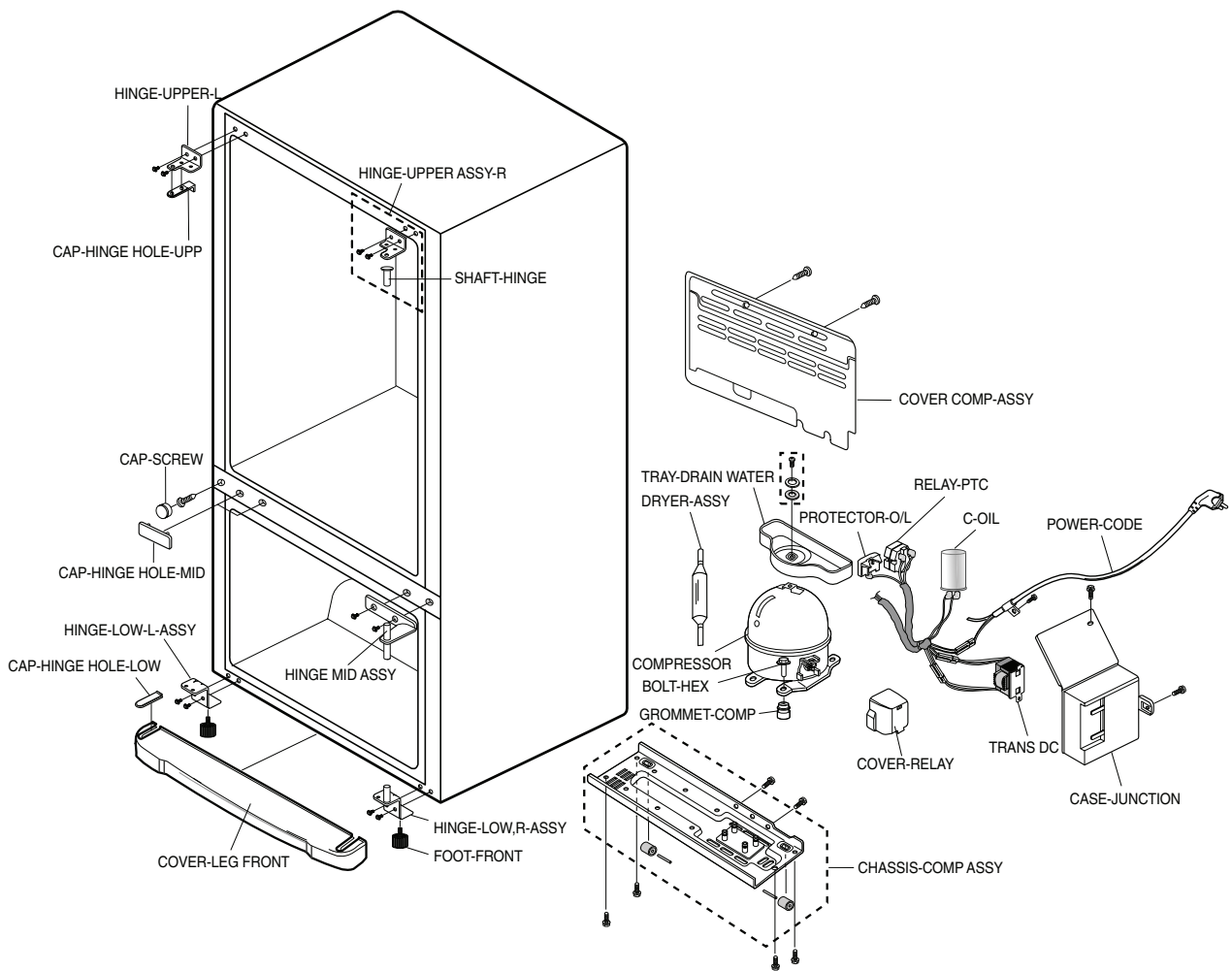
## 2-3. Door



## ■ Door List

NO	CODE-NO	ITEM	SPECIFICATION	OPTION		
				RL36/39E	RL39W	RL36/39S
1	DA97-01397A	ASSY GUARD VARITY	PREMIUM	●	●	
2	DA63-01724A	GUARD-VARITY	GPPS(HF-2660)			●
3	DA66-00058A	TRAY-EGG	PP	●	●	●
4	DA97-01398A	ASSY GUARD-DAIRY	PREMIUM	●	●	
5	DA97-01408A	ASSY GUARD-DAIRY	GPPS(HF-2660)			●
6	DA97-01400A	ASSY GUARD BOTTLE-DISPENSER	PREMIUM		●	
7	DA97-01399A	ASSY GUARD-BOTTLE	PREMIUM	●		
8	DA63-01728A	GUARD-BOTTLE	GPPS(HF-2660)			●
9	DA71-00119A	GUIDE BOTTLE-B	RL39(D),MSWR10,SNC2		●	
10	DA71-00118A	GUIDE BOTTLE	RL36/39,MSWR10,SNC2	●		●
11	DA91-01722A	ASSY-DOOR FOAM FRE	RL39,SNOW WHITE	●		●
	DA91-01722B		RL39(DIS),SNOW WHITE		●	
	DA91-01722C		RL36,SNOW WHITE	●		●
	DA91-01722D		RL39,MIST SILVER	●		●
	DA91-01722E		RL39(DIS),MIST SILVER		●	
	DA91-01722F		RL36,MIST SILVER	●		●
12	DA91-01724A	ASSY-DOOR FOAM REF(DIS)	RL39DISP,SNOW WHITE		●	
	DA91-01724B		RL39DISP,MIST SILVER		●	
	DA91-01723A		RL39,SNOW WHITE	●		●
13	DA91-01723B	ASSY DOOR FOAM REF	RL36,SNOW WHITE	●		●
	DA91-01723C		RL39,MIST SILVER	●		●
	DA91-01723D		RL36,MIST SILVER	●		●
14	DA97-01402A	ASSY COVER-DISPENSER	RL39(DIS),SNOW WHITE		●	
	DA97-01402B		RL39(DIS),MIST SILVER		●	
15	DA61-20146A	SPRING-ETC LEVER	STS304		●	
16	DA63-01735A	COVER-DISPENSER	ABS,SNOW WHITE		●	
	DA63-01735B		ABS,MIST SILVER		●	
17	DA64-00121A	KEY-LEVER	POM		●	
18	DA64-00965A	KNOB-LEVER DISPENSER	ABS(MP-0160),SILVER		●	
19	DA66-00062A	LEVER-DISPENSER	POM,NTR		●	
20	DA97-01433A	ASSY CASE-DISPENSER	RL39(DIS),SNOW WHITE		●	
	DA97-01433B		RL39(DIS),MIST SILVER		●	
21	DA63-01715A	TRAY DISPENSER	ABS(HG-0760H),SNOW WHITE		●	
	DA63-01715B		ABS(HG-0760H),MIST SILVER		●	
22	DA71-20155B	ASSY FIXER-CASE	RL39,DISPENSER		●	
23	DA74-00054A	ASSY TANK-WATER	RL39,DISPENSER		●	
24	DA61-00139A	ASSY CASE-COCK	RL39,DISPENSER		●	
25	DA63-00240A	COVER-WATER TANK	PP		●	
26	DA65-20004A	CLAMP-TANK	PC-ABS		●	
27	DA67-30216B	CAP-COVER TANK	PP		●	
28	DA74-00051A	TANK-WATER	PP		●	
29	DA67-00194A	CAP-HINGE HOLE	PP,SNOW WHITE	●	●	●
	DA67-00194F		PP,MIST SILVER	●	●	●

## 2-4. Cabinet Parts & Unit



## ■ Cabinet Parts & Unit Lists

NO	CODE-NO	ITEM	SPECIFICATION	OPTION		
				RL36/39E	RL39W	RL36/39S
1	DA61-00073A	HINGE-UPPER ASSY-R	SHP1,T2.7	●	●	●
2	DA61-00075A	HINGE-UPPER-L	SHP1,T2.7	●	●	●
3	DA61-00146A	HINGE-MID ASSY	SHP1,T4.0	●	●	●
4	DA61-00119A	HINGE-MID	SHP1,T4.0	●	●	●
5	DA63-00443A	SHIM HINGE-MID	RD-PVC	●	●	●
6	DA67-00195A	CAP-HINGE HOLE-MID	PP,SNOW WHITE	●	●	●
7	DA67-00196A	CAP-HINGE HOLE-UPP	PP,SNOW WHITE	●	●	●
	DA67-00196F		PP,MIST SILVER	●	●	●
8	DA97-00919A	ASSY HINGE LOW-R	ZPC2,T4.0	●	●	●
9	DA61-00072A	HINGE-LOWER	SHP1,T4.0	●	●	●
10	DA97-00920A	ASSY HINGE LOW-L	ZPC2,T4.0	●	●	●
11	DA61-00805A	FOOT FRONT	PP,PI44,NTR	●	●	●
12	DA97-01431A	ASSY COVER-LEG FRONT	PP(BJ-730T4),SMOW WHITE	●	●	●
	DA97-01431B		PP(BJ-730T4),MIST SILVER	●	●	●
13	DA63-01733A	COVER LEG-FRONT	PP(BJ-730T4),SNOW WHITE	●	●	●
	DA63-01733B		PP(BJ-730T4),MIST SILVER	●	●	●
14	DA67-00197A	CAP-HINGE HOLE-LOW	PP,SNOW WHITE	●	●	●
	DA67-00197F		PP,MIST SILVER	●	●	●
15	DA63-00398A	COVER COMP-ASSY	SBHG1,T0.4	●	●	●
16	DA67-00026F	TRAY-DRAIN WATER ASSY	SCP2	●	●	●
17	DA73-30102B	DRYER-ASSY	CU,OD18.85,ID2,L102	●	●	●
18	DA97-00726A	ASSY-CHASSIS COMP	T1.2	●	●	●
19	DA63-40234C	GROMMET-COMP	ID10 H9.7,NBR	●	●	●
20	DA60-20008A	BOLT-HEX	SM30C,L42.6	●	●	●
21	DA63-10352A	COVER-RELAY	PP	●	●	●
22	DK4A1QL1U/E0	COMPRESSOR	230~240V/50Hz	●	●	●
	SK170H-L1U		220V/50Hz	●	●	●
	DK172P-L2U		127V/60Hz	●	●	●
23	2501-001185	C-OIL	350VAC/3.5uF	●	●	●
	2501-001186		350VAC/5uF	●	●	●
	2501-001045		250VAC/12uF	●	●	●
24	DA34-10003H	PROTECTOR-P/L	4TM213PHBYY-53	●	●	●
	DA34-10003K		4TM232SHBYY-53	●	●	●
	DA34-10003T		4TM435PHBYY-53	●	●	●
25	DA35-10013B	RELAY-PTC	J531Q35E330M385-2	●	●	●
	DA35-10013N		J531Q33E100M200-2	●	●	●
26	DA26-00003A	TRANS-DC	240V,17V,0.2A	●	●	●
	DA26-00003B		115~127V,17V,0.2A	●	●	●
27	DA61-00089B	CASE-JUNCTION	PP,NTR	●	●	●
28	DA39-10115D	POWER-CODE	UCP-2,250V,10/16A,L2100	●	●	●
29	DA66-00060A	SHAFT-HINGE	SWCH10A,ZPC2	●	●	●

## 3. Disassembly & Assembly

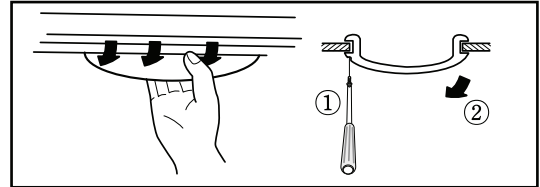
### 3-1. Replacement of refrigerator Incandescent lamp



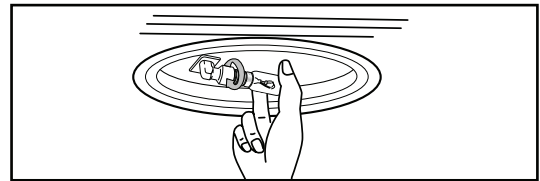
#### Warning

Always take out the power plug when replacing the refrigerator lamp. There is the danger of electric shock.

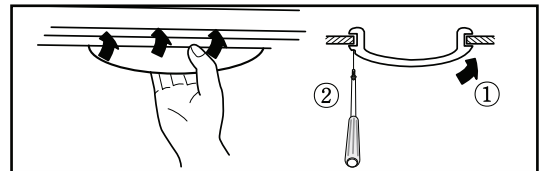
1. Remove a screw from the cover and pull down the cover with the back latch pressed.



2. Pull out the lamp.



3. After replacing the lamp, assemble the front latch of cover and then connect the back latch and screw on the cover.



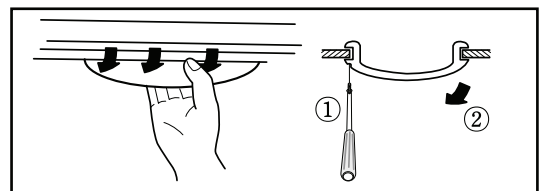
### 3-2. Replacement of refrigerator fluorescent lamp



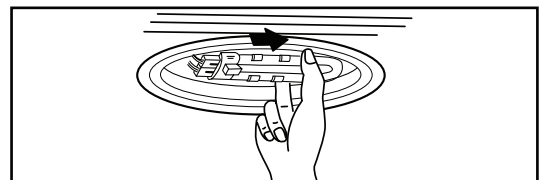
#### Warning

Always take out the power plug when replacing the refrigerator lamp. There is the danger of electric shock.

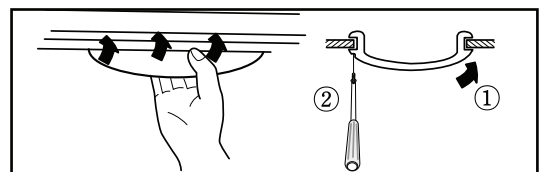
1. Remove a screw from the cover and pull down the cover with the back latch pressed.



2. Pull out the lamp.



3. After replacing the lamp, assemble the front latch of cover and then connect the back latch and screw on the cover.

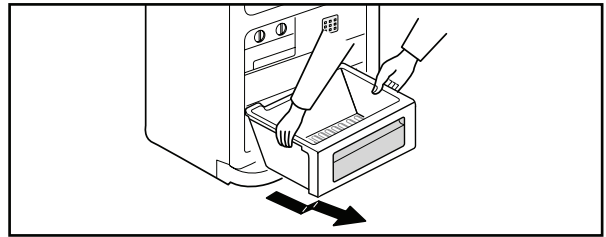


---

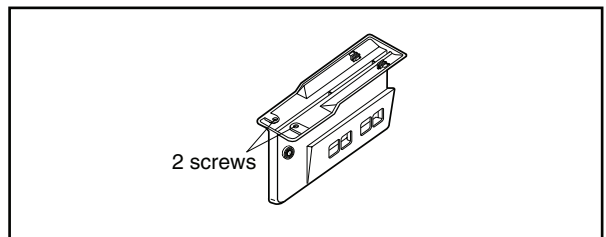
### 3-3. Disassembly of the cooling cycle unit in the freezer

---

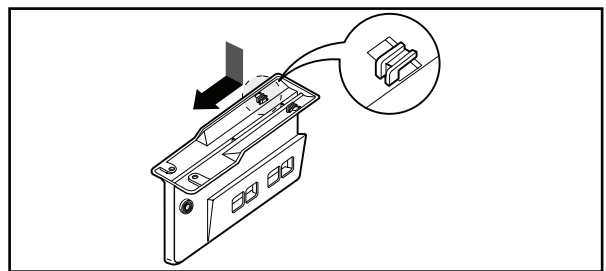
1. Take out the case from the freezer.



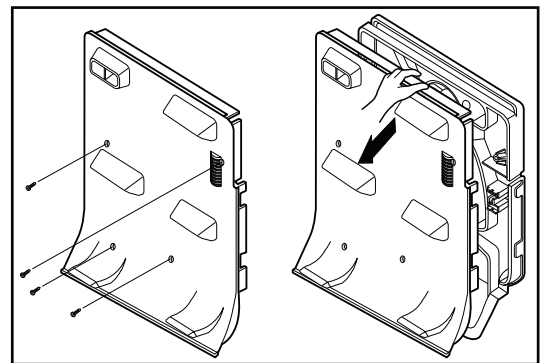
2. Remove 2 screws from the holder of the cooling cycle unit.



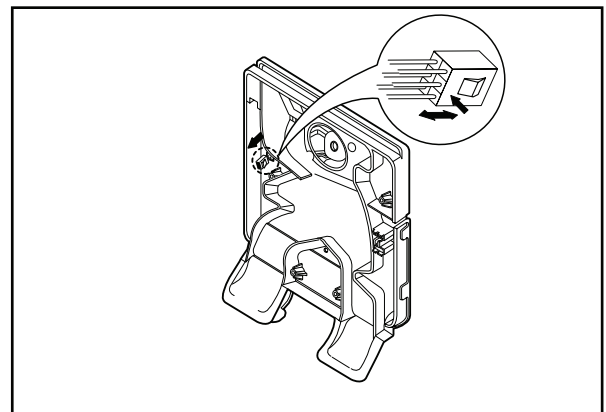
3. Pull out the holder of the cooling cycle unit and disconnect wire terminals.



4. Pull forward the insulating material of the cooling cycle unit and remove the wire terminal and insulating material.



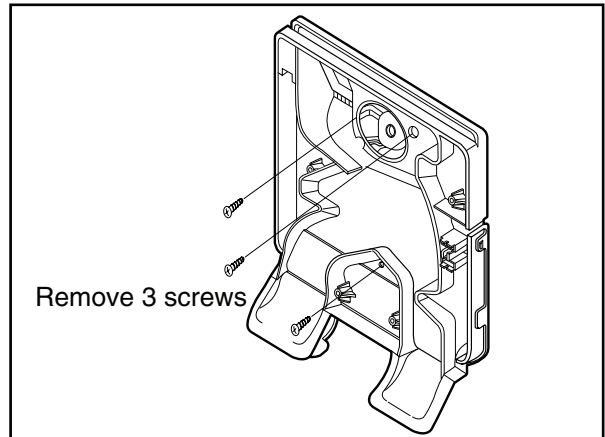
5. Remove 2 screws securing refrigerator duct and pull it out by following the arrow.



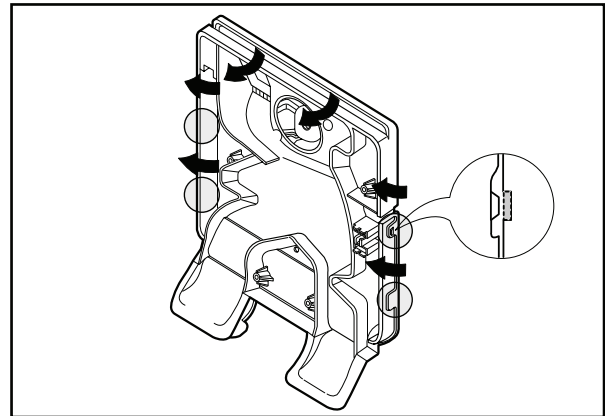
---

---

6. Remove 3 screws from the back cover of the cooling cycle unit and remove the latch with (+) driver.



7. Remove the latch of the cooling cycle unit cover from the bottom.

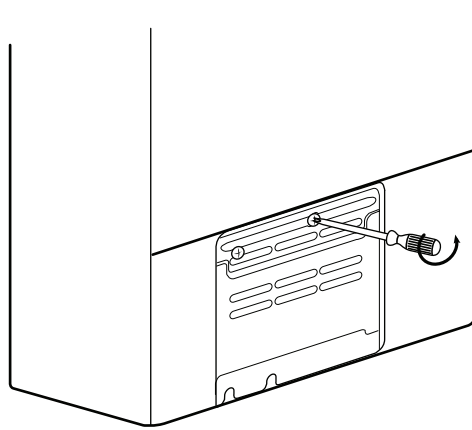


---

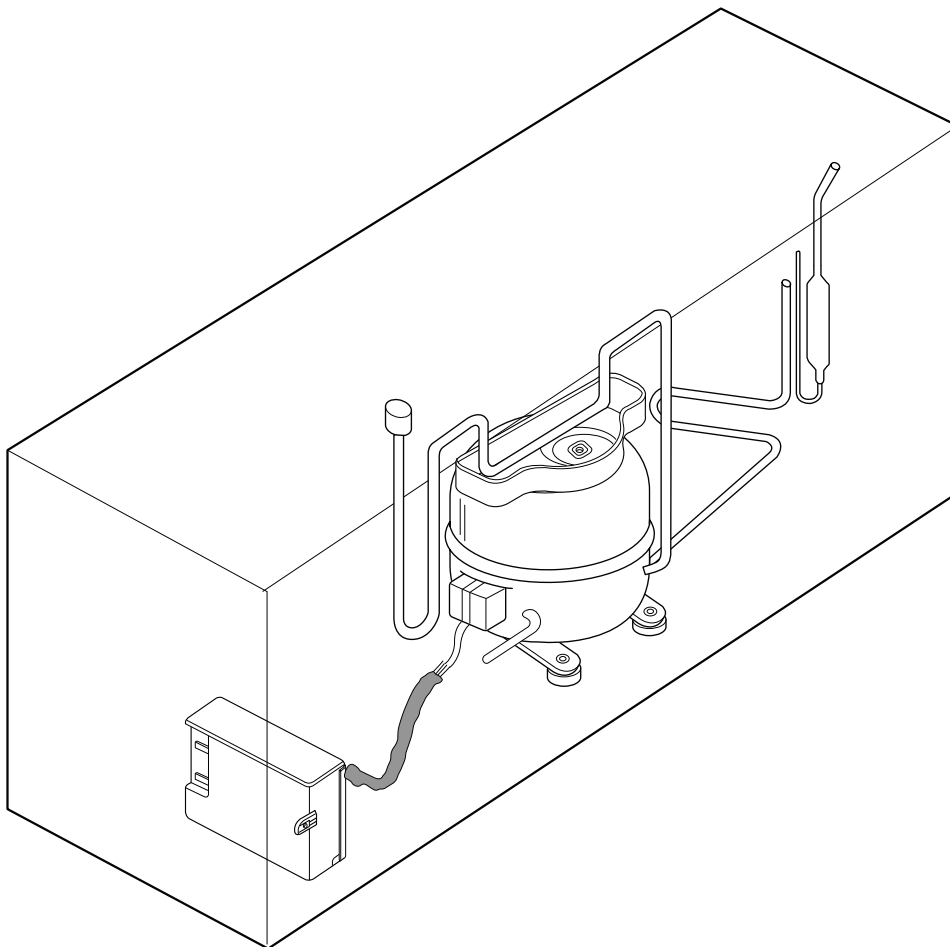
### 3-4. Assembly of mechanic compartment in the refrigerator

---

1. Remove the screws from the securing cover of the mechanic compartment at the back bottom.



2. Mechanic compartment assembly





---

---

## 3-5. Electric box assembly

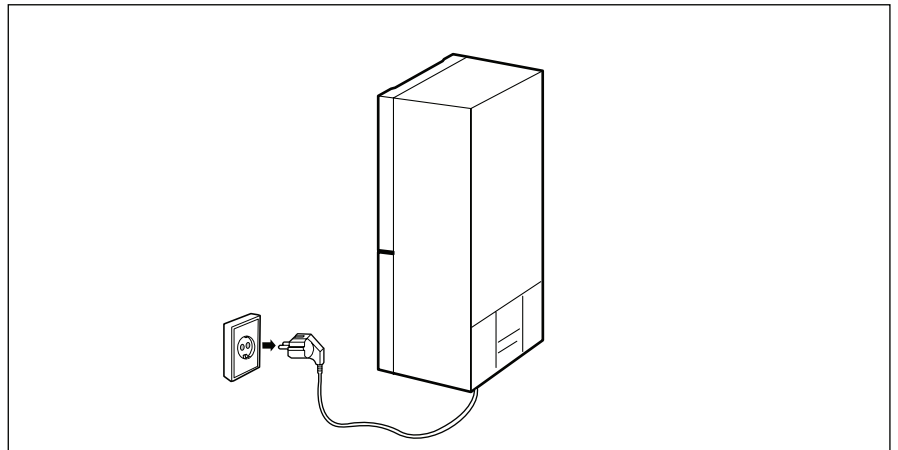
---



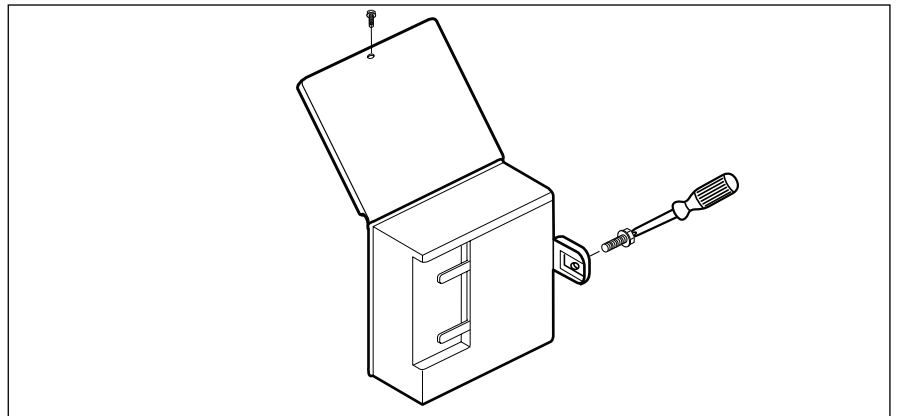
### Warning

Make sure the power plug is taken out when replacing the components for the main PCB.

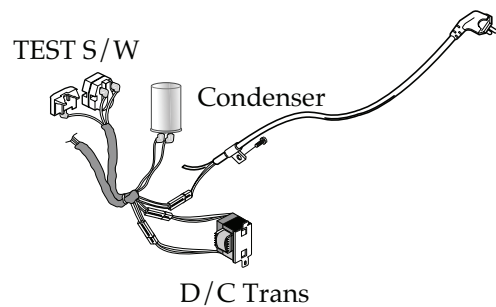
1. Disconnect the power cord.



2. Remove the cover of electrical box with insert driver.(⚡)



3. Assembly specification of electric box

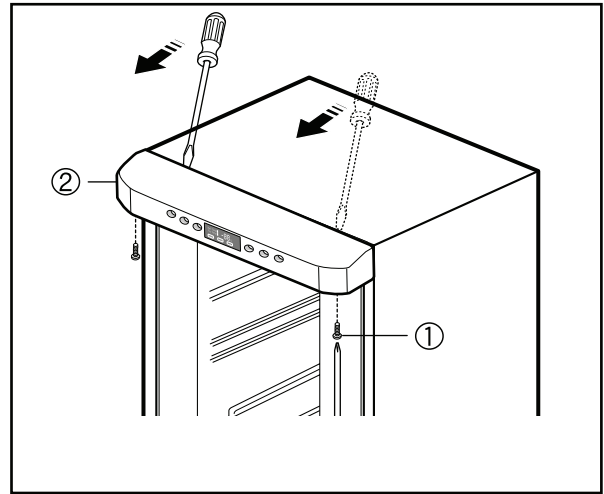


---

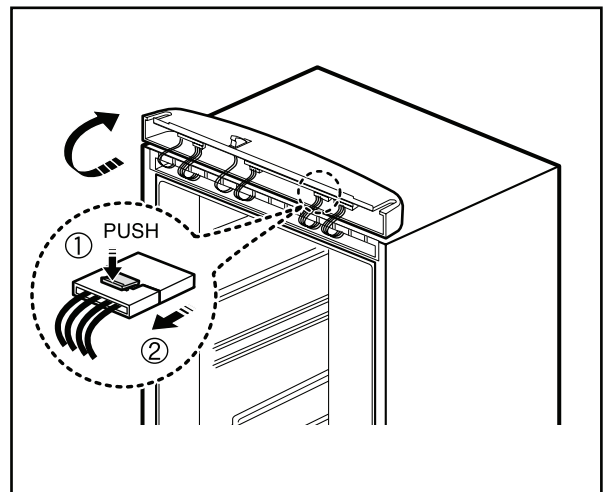
### 3-6. Disassembly of Top Table

---

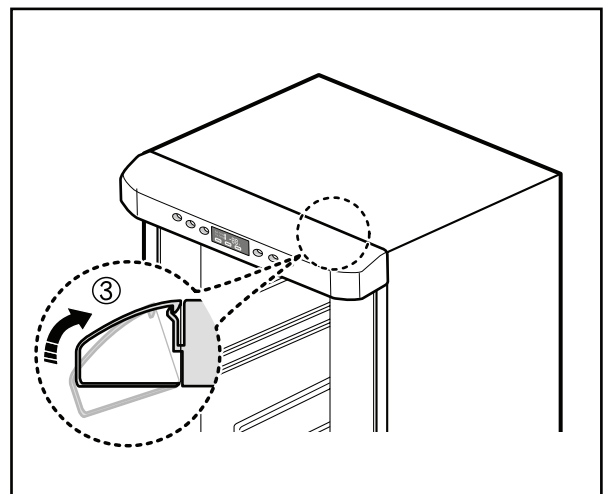
- With the door open, unscrew screws ① with a screw driver (“+” type).
- Lever out top table ② with a screw driver (“-” type).



- Repair or change electric parts of top table.



- Attach the top table and click into hook ③ by pressing.



---

# MEMO

---

---

---

---

# MEMO

---

---

---



**ELECTRONICS**

272, Oseon-Dong, Kwangsan-Gu,  
Kwangju-City, Korea, 506-723  
TEL : 82-62-950-6896, 6193  
FAX : 82-62-950-6829