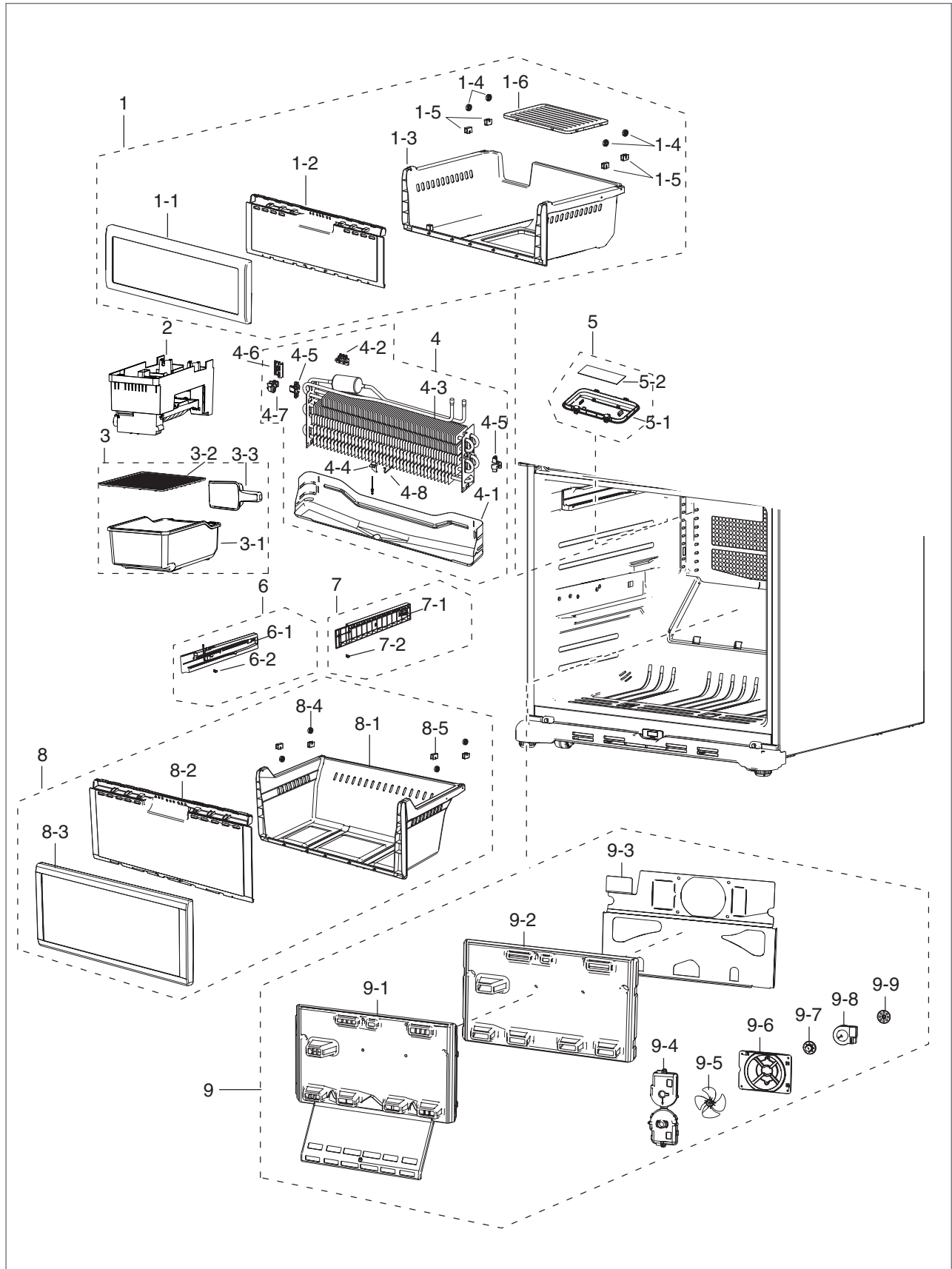


5. EXPLODED VIEW & PARTS LIST

5-1) Freezer

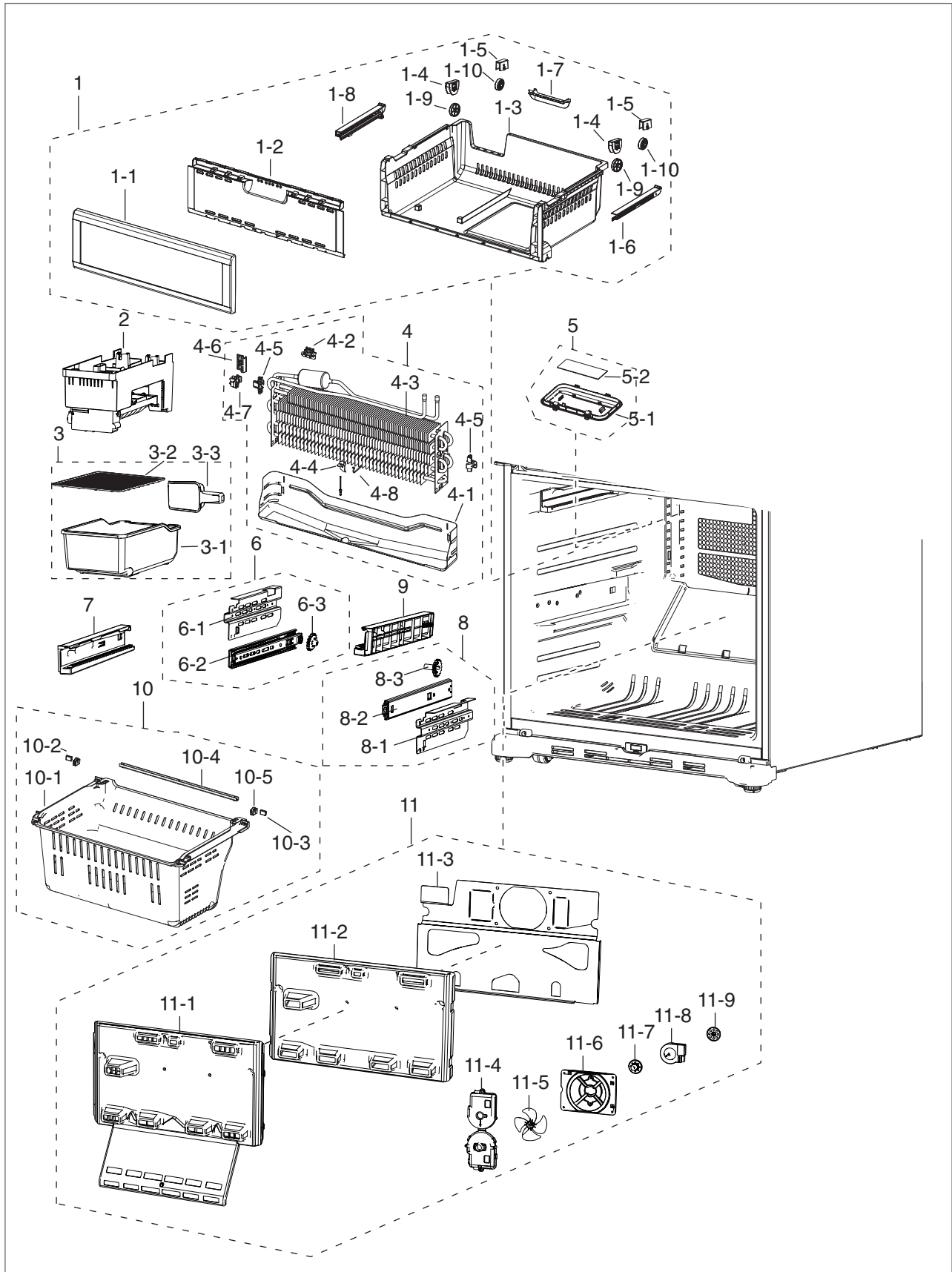


■ Parts List of Freezer (RF62UB)

NO	CODE-NO	PART NAME	SPEC	QUAN TITY	REMARK
1	DA97-08860A	ASSY TRAY-FRE UPP	NW2-PJT,-,-,-,19CU ft	1	
1-1	DA63-04455A	COVER-TRAY FRE UPP A	NW2-PJT,HIPS,-,-,-,COOL WHT,-	1	
1-2	DA63-04456A	COVER-TRAY FRE UPP B	NW2-PJT,GPPS,-,-,-,-,-	1	
1-3	DA63-05606A	TRAY FRE-UPP	NW2(19Cu.ft),HIPS,-,-,-,COOL WHITE,-	1	
1-4	DA66-10104A	ROLLER-FRE	POM,-,-,D22,-,-,	4	
1-5	DA71-20145A	FIXER-ROLLER	-,PA,-,-,-	4	
1-6	DA64-02823A	WINDOW-TRAY FRE UPP	NW2,SAN,-,-,-,NTR,-	1	
2	DA90-04793D	ASSY ICE MAKER	NW2-FDR,AUTO ICE MAKER,220~240V	1	
3	DA97-04845B	ASSY CASE-ICE CUBE	NW2-FDR	1	
3-1	DA61-03189A	CASE-ICE CUBE	AW-PJT,PP,-,-,-,COOL WHITE,-	1	
3-2	DA63-05155A	TRAY-CASE ICE CUBE	AW2 CD,LDPE,NTR	1	
3-3	DA67-01231A	SCOOP ICE	W2-PJT(05),PP(BJ-703T4),-,-,SC-02740R,-	1	
4	DA96-00480G	ASSY EVAP-FRE	NW2-PJT,PIN,220V,120W,R600a	1	
4-1	DA47-00301D	PLATE-DRAIN FRE	NW2-PJT,GALVANUME,T0.3,-,516,-,-	1	
4-2	DA59-00373B	FIXER-SENSOR EVAP	CORE-PJT,PP,-,NTR,-	1	
4-3	DA61-02526A	EVAP FRE	NW2,PIN,A1100P-H16,3-HEATER,NW2-PJT	1	
4-4	DA61-02901A	PLATE-EVAP HEATER	AW-PJT,AL,T0.7,-,-,-,-	1	
4-5	DA61-03644A	FIXER-HEATER FRE	HERMES-PJT,PP,NTR,PP V0,FH44N	2	
4-6	DA61-04462A	FIXER-FUSE	CULLI_09,PP,BJ-730,NTR,-	1	
4-7	DA47-00246M	FIXER-HEATER REF	HERMES-PJT,PP,NTR,PP V0	1	
4-8	DA47-00301D	FIXER-EVAP FRE SUB	NEXT,AL,°β ⁰ 2.0,-,-	1	
5	DA97-08607A	ASSY COVER-LAMP FRE	NW2 FDR	1	
5-1	DA63-04955A	COVER-LAMP FRE	AW2 CD,PC,-,-,-,-,NTR,-	1	
5-2	DA96-00398K	ASSY-LAMP LED	NW2 FDR,3chip 4EA	1	
6	DA97-06665A	ASSY RAIL-FRE LOW L	NW2-PJT,-,-,-,19INCH	1	
6-1	DA61-04484A	RAIL-FRE LOW L	NW2-PJT,ABS,-,-,-,COOL WHT,19INCH	1	
6-2	DA63-40006A	GROMMET	RAIL,NY-6,-,-,-,-,RAIL	1	
7	DA97-06666A	ASSY RAIL-FRE LOW R	NW2-PJT,-,-,-,19INCH	1	
7-1	DA61-04483A	RAIL-FRE LOW R	NW2-PJT,ABS,-,-,-,COOL WHT,21INCH	1	
7-2	DA63-40006A	GROMMET	RAIL,NY-6,-,-,-,-,RAIL	1	
8	DA97-06672A	ASSY TRAY-FRE LOW	NW2-PJT,-,-,-,19 cu.ft	1	
8-1	DA63-04458A	TRAY-FRE LOW	NW2-PJT,HIPS,-,-,-,COOL WHT,19INCH	1	
8-2	DA63-04460A	COVER-TRAY FRE LOW B	NW2-PJT,GPPS,-,-,-,-,-	1	
8-3	DA63-04461A	COVER-TRAY FRE LOW A	NW2-PJT,HIPS,-,-,-,-,COOL WHT,-	1	
8-4	DA66-10104A	ROLLER-FRE	POM,-,-,D22,-,-,	4	
8-5	DA71-20145A	FIXER-ROLLER	-,PA,-,-,-	4	
9	DA97-06657C	ASSY COVER EVAP-FRE	NW2-PJT,110V~227V	1	
9-1	DA63-04444A	COVER-EVAP FRE	NW2-PJT,PP,-,-,-,-,COOL WHT,-	1	
9-2	DA62-01942A	INSULATION-EVAP FRE	NW2-PJT,FOAM-PS,-,-,-,-,-	1	
9-3	DA61-04461A	PLATE-INS EVAP FRE	NW2-PJT,GALVALUME,T0.3,-,-,-,-	1	
9-4	DA63-01809A	COVER MOTOR-BLDC	BLDC-NEW,PP,NTR,-,-,-,-,BJ-730	1	
9-5	DA31-00124A	FAN-AX100W4CC-T1	-,TD-PJT,ABS,-,-	1	
9-6	DA61-03183A	CASE-MOTOR FRE	AW-PJT,BUBBLE PP,-,-,-,NTR,-	1	
9-7	DA63-01808A	GROMMET-MOTOR,FRONT	BLDC,NBR,BLACK,-,-,-,-,H20	1	
9-8	DA31-00146H	MOTOR BLDC	-,2950,-,DC12V,150mA,-,-,2.1W,-,-,-,-,-	1	
9-9	DA63-01146A	GROMMET-MOTOR,REAR	A-TOP,NBR,-,-,-,ID6.5,OD42,BLK,BLDC	1	

5 . EXPLODED VIEW & PARTS LIST

5-1) Freezer

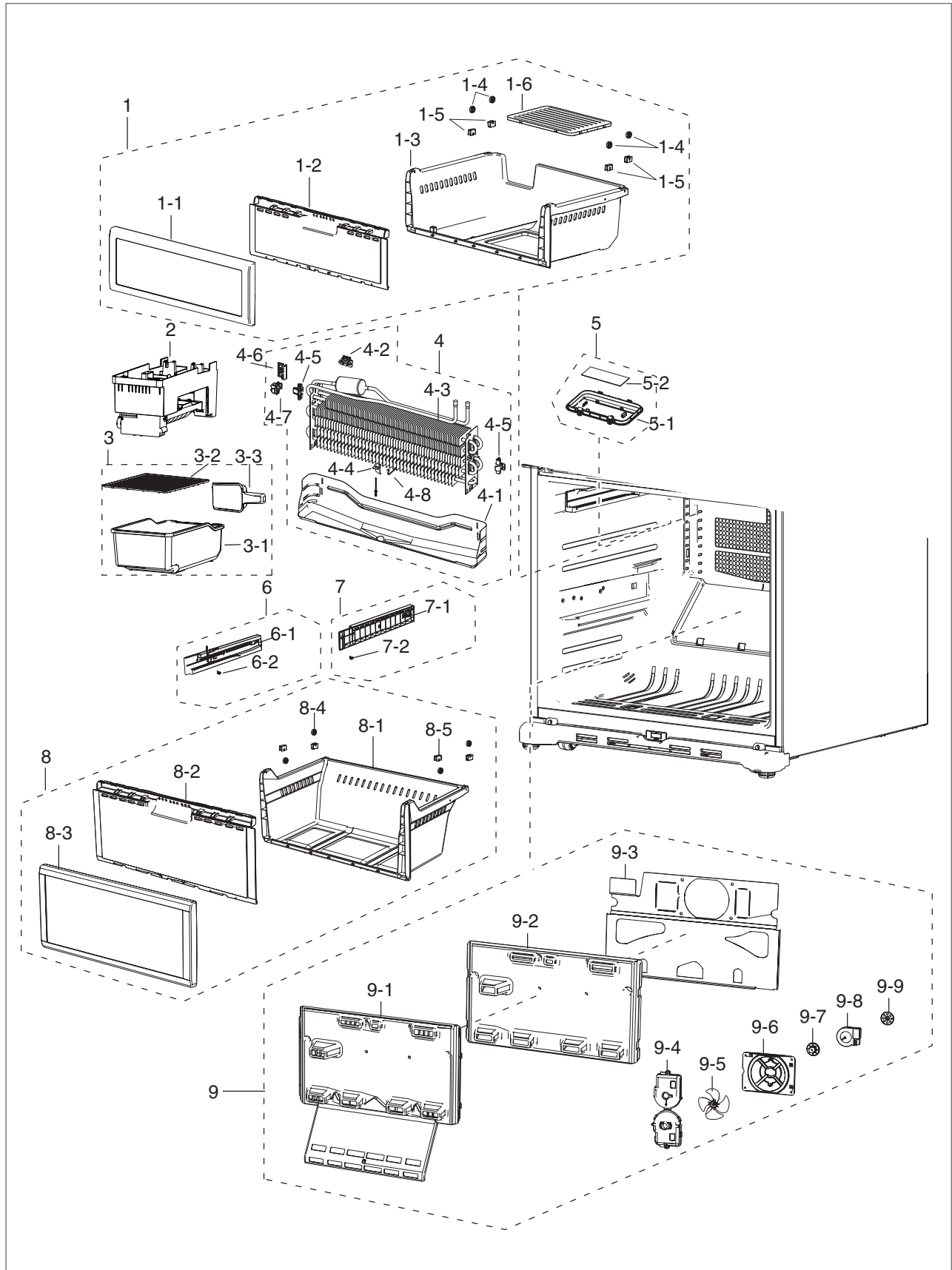


■ Parts List of Freezer (RF62QE, RF62HE)

NO	CODE-NO	PART NAME	SPEC	QUANTITY	REMARK
1	DA97-08338A	ASSY TRAY-FRE UPP	NW2-FDR,21cu.ft	1	
1-1	DA63-04455A	COVER-TRAY FRE UPP A	NW2-PJT,HIPS,-,-,-,-,COOL WHT,-	1	
1-2	DA63-04456A	COVER-TRAY FRE UPP B	NW2-PJT,GPPS,-,-,-,-,-,-	1	
1-3	DA63-05359A	TRAY-FRE UPP	NW2-FDR,HIPS,COOL WHITE(SC-02740R),21cu.ft	1	
1-4	DA61-04154A	FIXER-ROLLER TRAY FRE UPP	AW-PJT,POM,1.8,NATURAL,-	2	
1-9	DA66-00554A	ROLLER-TRAY FRE UPP	AW-PJT,POM,42.2,-,NATURAL,-,PVC COATING	2	
1-5	DA66-10104A	ROLLER-FRE	POM,-,-,D22,-,-	2	
1-10	DA71-20145A	FIXER-ROLLER	-,PA,-,-	2	
1-6	DA61-05185A	GUIDE-TRAY FRE UPP R	AW2 CD,PA+ABS,COOL WHITE(SC-02740R)	1	
1-7	DA63-05184A	COVER-ICE	AW2-CD,LDPE,NTR	1	
1-8	DA61-05186A	GUIDE-TRAY FRE UPP L	AW2 CD,PA+ABS,COOL WHITE(SC-02740R)	1	
2	DA90-04793E	ASSY ICE MAKER	NW2-FDR,AUTO ICE MAKER,220~240V	1	
3	DA97-04845B	ASSY CASE-ICE CUBE	NW2-FDR	1	
3-1	DA61-03189A	CASE-ICE CUBE	AW-PJT,PP,-,-,-,COOL WHITE,-	1	
3-2	DA63-05155A	TRAY-CASE ICE CUBE	AW2 CD,LDPE,NTR	1	
3-3	DA67-01231A	SCOOP ICE	W2-PJT(05),PP(BJ-703T4),-,-,SC-02740R,-	1	
4	DA96-00480G	ASSY EVAP-FRE	NW2-PJT,PIN,220V,120W,R600a	1	
4-1	DA47-00373B	EVAP FRE	NW2-PJT,GALVANUME,T0.3,-,516,-,-	1	
4-2	DA59-03644A	PLATE-EVAP HEATER	CORE-PJT,PP,-,NTR,-	1	
4-3	DA61-04921B	FIXER-HEATER FRE	NW2,PIN,A1100P-H16,3-HEATER,NW2-PJT	1	
4-4	DA61-05160A	FIXER-FUSE	AW-PJT,AL,T0.7,-,-,-,-	1	
4-5	DA61-03644A	FIXER-HEATER REF	HERMES-PJT,PP,NTR,PP V0,FH44N	2	
4-6	DA61-02526A	FIXER-EVAP FRE SUB	CULLI_09,PP,BJ-730,NTR,-	1	
4-7	DA47-00301D	THERMO FUSE-ASSY	NEXT,AL,°B ⁰ 2.0,-,-	1	
5	DA97-08607A	ASSY COVER-LAMP FRE	NW2 FDR	1	
5-1	DA63-04955A	COVER-LAMP FRE	AW2 CD,PC,-,-,-,-,NTR,-	1	
5-2	DA96-00398K	ASSY-LAMP LED	NW2 FDR,3chip 4EA	1	
6	DA97-06668B	ASSY RAIL-SLIDE LOW L	NW2,-,-,-,-,21cu.ft	1	
6-1	DA61-04464A	HANGER-RAIL LOW L	NW2-PJT,SECC1,T1.6,COOL WHT,-,-,-	1	
6-2	DA61-04512B	RAIL-SLIDE LOW L	NW2,STS304,-,-,-,-,21cu.ft	1	
6-3	DA66-00436A	GEAR-L	AW-PJT,POM,-,-,-,NTR,-,-,-	1	
7	DA61-04507A	SUPPORT-RAIL LOW L	NW2-PJT,ABS,-,-,-,COOL WHT,19CU ft	1	
8	DA97-06702B	ASSY RAIL-SLIDE LOW R	NW2,-,-,-,-,21cu.ft	1	
8-1	DA61-04465A	HANGER-RAIL LOW R	NW2-PJT,SECC1,T1.6,COOL WHT,-,-,-	1	
8-2	DA61-04513B	RAIL-SLIDE LOW R	NW2,STS304,-,-,-,-,21cu.ft	1	
8-3	DA66-00435A	GEAR-R	AW-PJT,POM,-,-,-,NTR,-,-,-	1	
9	DA61-04506A	SUPPORT-RAIL LOW R	NW2-PJT,ABS,-,-,-,COOL WHT,19CU ft	1	
10	DA97-08341A	ASSY TRAY-DRAWER BOX	NW2-FDR,COOL WHITE,19cu.ft	1	
10-1	DA63-05362A	TRAY-DRAWER BOX	NW2-FDR,PP,COOL WHITE(SC-02740R),19cu.ft	1	
10-2	DA63-04313A	GROMMET-TRAY DRAWER BOX	AW2,SILICON,-,-,-,-,WHT,-	2	
10-3	DA66-10104A	ROLLER-FRE	POM,-,-,D22,-,-	2	
10-4	DA61-06159A	REINF-DRAWER BOX	NW2-FDR,PO-SPHC,T2.0,BLACK	1	
10-5	DA71-20145A	FIXER-ROLLER	-,PA,-,-	2	
11	DA97-06657C	ASSY COVER EVAP-FRE	NW2-PJT,110V~227V	1	
11-1	DA63-04444A	COVER-EVAP FRE	NW2-PJT,PP,-,-,-,-,COOL WHT,-	1	
11-2	DA62-01942A	INSULATION-EVAP FRE	NW2-PJT,FOAM-PS,-,-,-,-,-	1	
11-3	DA61-04461A	PLATE-INS EVAP FRE	NW2-PJT,GALVALUME,T0.3,-,-,-,-	1	
11-4	DA63-01809A	COVER MOTOR-BLDC	BLDC-NEW,PP,NTR,-,-,-,-,BJ-730	1	
11-5	DA31-00124A	FAN-AX100W4CC-T1	-,TD-PJT,ABS,-,-	1	
11-6	DA61-03183A	CASE-MOTOR FRE	AW-PJT,BUBBLE PP,-,-,-,NTR,-	1	
11-7	DA63-01808A	GROMMET-MOTOR,FRONT	BLDC,NBR,BLACK,-,-,-,-,H20	1	
11-8	DA31-00146H	MOTOR BLDC	-,2950,-,DC12V,150mA,-,-,2.1W,-,-,-,-,-	1	

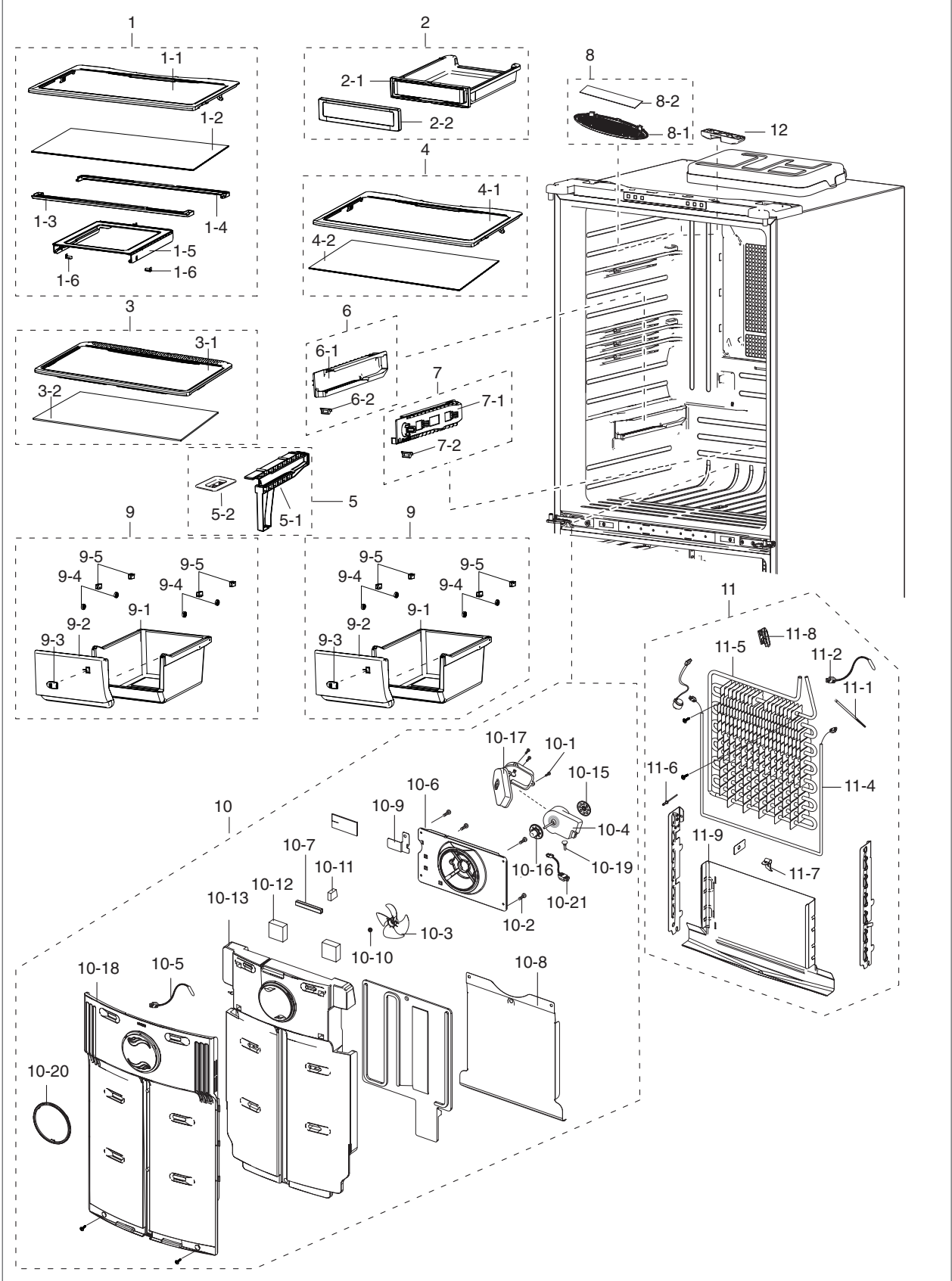
5 . EXPLODED VIEW & PARTS LIST

5-1) Freezer



EXPLODED VIEW & PARTS LIST

5-2) Refrigerator



EXPLODED VIEW & PARTS LIST

■ Parts List of Refrigerator (RF62**)

NO	CODE-NO	PART NAME	SPEC	QUANTITY	REMARK
1	DA97-06685C	ASSY SHELF-REF UPP	NW2-FDR,19cu.ft	1	
1-1	DA64-02644A	TRIM SHELF-REF	NW2,HIPS,-,-,-,COOL WHITE,19cu.ft	1	
1-2	DA64-02646A	GLASS-SHELF	NW2,GLASS,-,-,-,-,19cu.ft	1	
1-3	DA61-04511A	SUPPORT-GUIDE RAIL FRONT	NW2,HIPS,-,-,-,COOL WHITE,-	1	
1-4	DA61-04510A	SUPPORT-GUIDE RAIL REAR	NW2,HIPS,-,-,-,COOL WHITE,-	1	
1-5	DA61-04503A	GUIDE-RAIL	NW2,HIPS,-,-,-,COOLWHITE,19cu.ft	1	
1-6	DA63-00202A	GROMMET-RAIL	-,NY-6,-,-,-,-,-	2	
2	DA97-06677B	ASSY TRAY-CHILLED ROOM	NW2,-,-,-,-,19cu.ft	1	
2-1	DA63-04463B	TRAY CHIL ROOM	NW2,GPPS,-,-,-,-,19cu.ft	1	
2-2	DA63-04465A	COVER-TRAY CHIL ROOM	NW2,HIPS,-,-,-,-,COOL WHITE,-	1	
3	DA97-06687C	ASSY SHELF-REF MID	NW2-FDR,19cu.ft	1	
3-1	DA64-02644A	TRIM SHELF-REF	NW2,HIPS,-,-,-,COOL WHITE,19cu.ft	1	
3-2	DA64-02646A	GLASS-SHELF	NW2,GLASS,-,-,-,-,19cu.ft	1	
4	DA97-00663C	ASSY COVER-VEG	W2-PJT,ABS+SHELF,GLASS(T5.0),SC-02740R,cool white,-,-,-	1	
4-1	DA64-00449B	TRIM-COVER VEG(50)	W2-PJT,ABS,-,T2.5,SC-02740R,cool white,-	1	
4-2	DA67-00505L	SHELF GLASS	W2-PJT(50),GLASS,T5,W710,L296,-,COVER-VEG	1	
5	DA97-07059A	ASSY RAIL VEG-MID	NW2,-,-,-,-,19Cu.ft	1	
5-1	DA61-00761B	RAIL-VEG, MID	W2-PJT,ABS,T2.5,-,-,COOL-WHITE,SC-02740R	1	
5-2	DA61-04875A	SUPPORT-RAIL VEG	NW2,PP(BJ-730),-,-,-,COOL WHITE,-	1	
6	DA97-00103N	ASSY RAIL-VEG, L	W2-PJT,ABS,L341.5,SC-02740R,cool white,-	1	
6-1	DA61-60126E	RAIL-VEG	W2-PJT,ABS,T3.0,-,LEFT,COOL-WHITE,SC-02740R	1	
6-2	DA63-40006A	GROMMET	RAIL,NY-6,-,-,-,-,-,RAIL	1	
7	DA97-00103P	ASSY RAIL-VEG, R	W2-PJT,ABS,L341.5,SC-02740R,cool white,-	1	
7-1	DA61-60127E	RAIL-VEG	W2-PJT,ABS,T3.0,-,RIGHT,COOL-WHITE,SC-02740R	1	
7-2	DA63-40006A	GROMMET	RAIL,NY-6,-,-,-,-,-,RAIL	1	
8	DA97-08606A	ASSY COVER-LAMP REF	NW2 FDR	1	
8-1	DA63-05430A	COVER LAMP-REF	NW2-FDR,PC,NTR	1	
8-2	DA96-00398F	ASSY-LAMP LED	NW2 FDR,3chip 10EA	1	
9	DA97-06725B	ASSY CASE VEG	NW2,-,-,-,-,-	2	
9-1	DA61-00759B	CASE-VEG,REF	W2-PJT,HIPS,-,SC-02740R,-,COOL-WHITE,-	1	
9-2	DA63-04445B	COVER-VEG REF	NW2-PJT,SAN,-,-,-,-,NATURAL,-	1	
9-3	DA64-00656A	KNOB-HUMIDITY	W2-PJT,ABS,-,-,-,-,W9540,-,BEST BYE	1	
9-4	DA66-10104A	ROLLER-FRE	POM,-,-,D22,-,-,	4	
9-5	DA71-20145A	FIXER-ROLLER	-,PA,-,-,-	4	
10	DA97-06656C	ASSY COVER-EVAP REF	NW2-PJT,-,-,-,-,-,TWIN COOLING	1	
10-1	6002-000213	SCREW-TAPPING	TH,+,-,1,M4,L12,ZPC(WHT),SWRCH18A,-	3	
10-2	6002-001122	SCREW-TAPPING	FH,+,-,1,M4,L14,ZPC(WHT),SWRCH18A	4	
10-3	DA31-00124A	FAN-AX100W4CC-T1	-,TD-PJT,ABS,-,-	1	
10-4	DA31-00146H	MOTOR BLDC	-,2950,-,DC12V,150mA,-,-,2.1W,-,-,-,-,-	1	
10-5	DA32-10105X	SENSOR TEMP	PX-41C,QUEEN PJT,-10.5V,-,-,F-SENSOR,YELLOW,500MM	11	
10-6	DA61-03181A	CASE-MOTOR REF	AW-PJT,BUBBLE PP,-,-,-,NTR,-	1	
10-7	DA61-03182A	GUIDE-INS EVAP REF	AW-PJT,ABS,-,-,-,NTR,-	1	
10-8	DA61-04701B	PLATE-INS EVAP REF	NW2,SAZCC,T3.0,-,-,-,-	1	
10-9	DA61-03599A	PLATE-HOUSING REF	AW-PJT,GALVALUME,T0.3,-,-,-,-	1	
10-10	DA61-20128A	SPRING ETC-FAN	-,STS304,PI7.8,-,OD1.0,-,-,-,-,FD	1	
10-11	DA62-01383A	INSULATION-EVAP SUB	AW-PJT,FOAM-PS,-,-,-,-,-	1	
10-12	DA62-01423A	INSULATION-EVAP DUCT	AW-PJT,FOAM-PS,T20,W44.5,L45,-,-,-,-	2	
10-13	DA62-01941A	INSULATION-EVAP REF	NW2-PJT,FOAM-PS,-,-,-,-,-	1	
10-14	DA62-01969A	INSULATION-EVAP REAR	NW2-PJT,FOAM-PS,-,-,-,-,-	1	
10-15	DA63-01146A	GROMMET-MOTOR,REAR	A-TOP,NBR,-,-,-,ID6.5,OD42,BLK,BLDC	1	
10-16	DA63-01808A	GROMMET-MOTOR,FRONT	BLDC,NBR,BLACK,-,-,-,-,H20	1	
10-17	DA63-01809A	COVER MOTOR-BLDC	BLDC-NEW,PP,NTR,-,-,-,-,BJ-730	1	

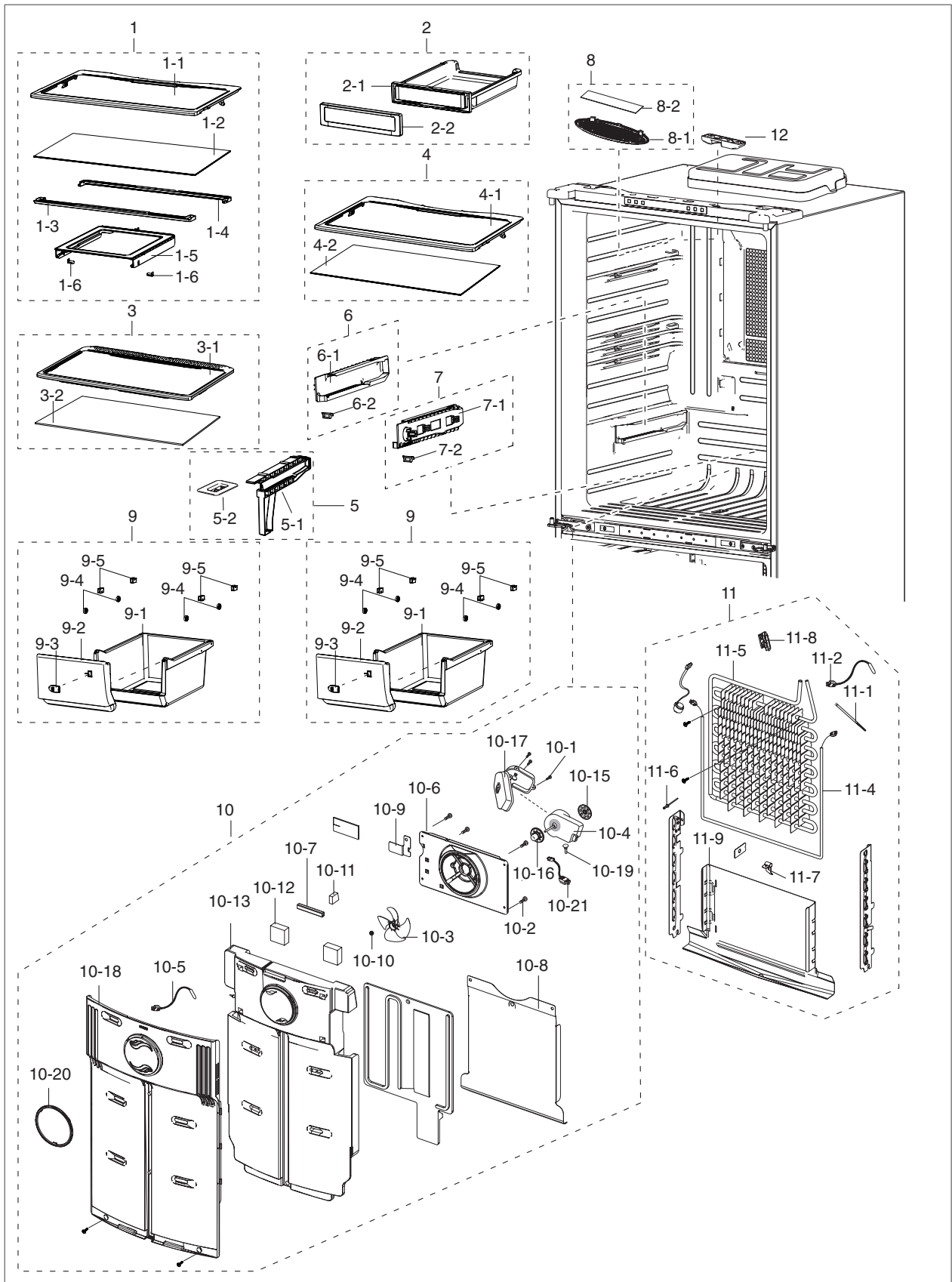
EXPLODED VIEW & PARTS LIST

■ Parts List of Refrigerator (RF62**)

NO	CODE-NO	PART NAME	SPEC	QUAN TITY	REMARK
10-18	DA63-04439A	COVER-EVAP REF	NW2-PJT,PP,-,-,-,-,COOL WHT,-	1	
10-19	DA63-40167A	GROMMET-COVER CHIL	SILICON,L16,WHITE	1	
10-20	DA64-02065A	TRIM-COVER EVAP REF	TRIM-COVER EVAP REF	1	
10-21	DA39-00060K	WIRE-HARNESS MOTOR	A-TOP,-,-,-,-,-,35151-0410,N0090-9204,-,BLDC,-,-,-,-,R,F-FAN	1	
11	DA96-00461H	ASSY EVAP-REF	NW2-PJT,PIN,220V,120W,R600a	1	
11-1	6501-000123	CABLE TIE	DACT-140,-,3.6,146,WHT(NTR),NYLON	2	
11-2	DA32-00006S	SENSOR TEMP-R-DEF	PX-41C,502AT,AW-PJT,-40~110°...,5V,-,-,R-DEF SENSOR,YEL,400MM	1	
11-3	DA47-00301D	THERMO FUSE-ASSY	ARAM,120V/250V,15A/10A,109~110°...,150mm	1	
11-4	DA47-00244F	HEATER-METAL SHEATH	-,AW-PJT,-,120W,-,230V,440.8 ohm,-,-,R-ROOM	1	
11-5	DA59-00357B	EVAP REF	-,,-,-,-,-,AW-PJT,-	1	
11-6	DA60-90005A	RIVET-AVEX	AL,D3.2,L10.6	1	
11-7	DA61-03644A	PLATE-EVAP HEATER	AW-PJT,AL,T0.7,-,-,-,-	1	
11-8	DA61-05834A	FIXER-FUSE REF	AW3-PJT,PP,NTR	1	
11-9	DA61-04148A	PLATE-DRAIN REF	AW-PJT('08),GALVANUME,T0.3,-,-,-,-	1	
12	DA61-05292A	GUIDE-FRENCH	NW2-FDR,PC-ABS,31.3,95.1,COOL WHITE,SC-02740R	1	

EXPLODED VIEW & PARTS LIST

5-2) Refrigerator



EXPLODED VIEW & PARTS LIST

■ Parts List of Refrigerator (RF67**)

NO	CODE-NO	PART NAME	SPEC	QUAN TITY	REMARK
1	DA97-06686C	ASSY SHELF-REF UPP	NW2-FDR,21cu.ft	1	
1-1	DA64-02645A	TRIM SHELF-REF	NW2,HIPS,-,-,COOL WHITE,21cu.ft	1	
1-2	DA64-02647A	GLASS-SHELF	NW2,GLASS,T4.0,-,-,-,-	1	
1-3	DA61-04511A	SUPPORT-GUIDE RAIL FRONT	NW2,HIPS,-,-,COOL WHITE,-	1	
1-4	DA61-04510A	SUPPORT-GUIDE RAIL REAR	NW2,HIPS,-,-,COOL WHITE,-	1	
1-5	DA61-04505A	GUIDE-RAIL	NW2,HIPS,-,-,COOL WHITE,-	1	
1-6	DA63-00202A	GROMMET-RAIL	-,NY-6,-,-,-,-,-	2	
2	DA97-06674A	ASSY TRAY-CHILLED ROOM	NW2,-,-,-,-,19cu.ft	1	
2-1	DA63-04464B	TRAY CHIL ROOM	NW2,GPPS,-,-,-,-,-	1	
2-2	DA63-04465A	COVER-TRAY CHIL ROOM	NW2,HIPS,-,-,-,-,COOL WHITE,-	1	
3	DA97-06675C	ASSY SHELF-TRIM REF MID	NW2,-	1	
3-1	DA64-02645A	TRIM SHELF-REF	NW2,HIPS,-,-,COOL WHITE,21cu.ft	1	
3-2	DA64-02647A	GLASS-SHELF	NW2,GLASS,T4.0,-,-,-,-	1	
4	DA97-00663D	ASSY COVER-VEG	NW2-FDR,TALC PP,W403.9,L256.6,COOL WHITE	1	
4-1	DA64-00448B	TRIM-COVER VEG	W2-PJT(55),ABS,-,T2.5,L403,W717,cool white	1	
4-2	DA67-00505M	SHELF-GLASS	W2-PJT(55), GLASS,T5,W708.5,L346,-,COVER-VEG	1	
5	DA97-07058A	ASSY RAIL VEG-MID	NW2,-,-,-,-,21Cu.ft	1	
5-1	DA61-00760B	RAIL-VEG, MID	W2-PJT(55),ABS,T2.5,-,-,COOL-WHITE,SC-02740R	1	
5-2	DA61-04875A	SUPPORT-RAIL VEG	NW2,PP(BJ-730),-,-,-,COOL WHITE,-	1	
6	DA97-00103N	ASSY RAIL-VEG, L	W2-PJT,ABS,L341.5,SC-02740R,cool white,-	1	
6-1	DA61-60126E	RAIL-VEG	W2-PJT,ABS,T3.0,-,LEFT,COOL-WHITE,SC-02740R	1	
6-2	DA63-40006A	GROMMET	RAIL,NY-6,-,-,-,-,-,RAIL	1	
7	DA97-00103P	ASSY RAIL-VEG, R	W2-PJT,ABS,L341.5,SC-02740R,cool white,-	1	
7-1	DA61-60127E	RAIL-VEG	W2-PJT,ABS,T3.0,-,RIGHT,COOL-WHITE,SC-02740R	1	
7-2	DA63-40006A	GROMMET	RAIL,NY-6,-,-,-,-,-,RAIL	1	
8	DA97-08606A	ASSY COVER-LAMP REF	NW2 FDR	1	
8-1	DA63-05430A	COVER LAMP-REF	NW2-FDR,PC,NTR	1	
8-2	DA96-00398F	ASSY-LAMP LED	NW2 FDR,3chip 10EA	1	
9	DA97-06700B	ASSY CASE-VEG REF	NW2-PJT,-,-,-,-,-	2	
9-1	DA61-00762A	CASE-VEG,REF	W2-PJT(55),HIPS,-,-,-,WHITE,HG-1760	1	
9-2	DA63-04445B	COVER-VEG REF	NW2-PJT,SAN,-,-,-,-,NATURAL,-	1	
9-3	DA64-00656A	KNOB-HUMIDITY	W2-PJT,ABS,-,-,-,-,W9540,-,BEST BYE	1	
9-4	DA66-10104A	ROLLER-FRE	POM,-,-,D22,-,-,	4	
9-5	DA71-20145A	FIXER-ROLLER	-,PA,-,-,-	4	
10	DA97-06656C	ASSY COVER-EVAP REF	NW2-PJT,-,-,-,-,-,TWIN COOLING	1	
10-1	6002-000213	SCREW-TAPPING	TH,+,-,1,M4,L12,ZPC(WHT),SWRCH18A,-	3	
10-2	6002-000215	SCREW-TAPPING	TH,+,-,1,M4.0,L16,ZPC(WHT),SWRCH18A,-	4	
10-3	DA31-00124A	FAN-AX100W4CC-T1	-,TD-PJT,ABS,-,-	1	
10-4	DA31-00146H	MOTOR BLDC	2950,-,DC12V,150mA,-,-,2.1W,-,-,-,-,-	1	
10-5	DA32-10105X	SENSOR TEMP	PX-41C,QUEEN PJT,-10,5V,-,-,F-SENSOR,YELLOW	1	
10-6	DA61-03181A	CASE-MOTOR REF	AW-PJT,BUBBLE PP,-,-,-,NTR,-	1	
10-7	DA61-03182A	GUIDE-INS EVAP REF	AW-PJT,ABS,-,-,-,NTR,-	1	
10-8	DA61-04701B	PLATE-INS EVAP REF	NW2,SAZCC,T3.0,-,-,-,-	1	
10-9	DA61-03599A	PLATE-HOUSING REF	AW-PJT,GALVALUME,T0.3,-,-,-,-	1	
10-10	DA61-20128A	SPRING ETC-FAN	-,STS304,PI7.8,-,OD1.0,-,-,-,-,FD	1	
10-11	DA62-01383A	INSULATION-EVAP SUB	AW-PJT,FOAM-PS,-,-,-,-,-	1	
10-12	DA62-01423A	INSULATION-EVAP DUCT	AW-PJT,FOAM-PS,T20,W44.5,L45,-,-,-,-	2	
10-13	DA62-01941A	INSULATION-EVAP REF	NW2-PJT,FOAM-PS,-,-,-,-,-	1	
10-14	DA62-01969A	INSULATION-EVAP REAR	NW2-PJT,FOAM-PS,-,-,-,-,-	1	
10-15	DA63-01146A	GROMMET-MOTOR,REAR	A-TOP,NBR,-,-,-,ID6.5,OD42,BLK,BLDC	1	
10-16	DA63-01808A	GROMMET-MOTOR,FRONT	BLDC,NBR,BLACK,-,-,-,-,H20	1	
10-17	DA63-01809A	COVER MOTOR-BLDC	BLDC-NEW,PP,NTR,-,-,-,-,-,BJ-730	1	

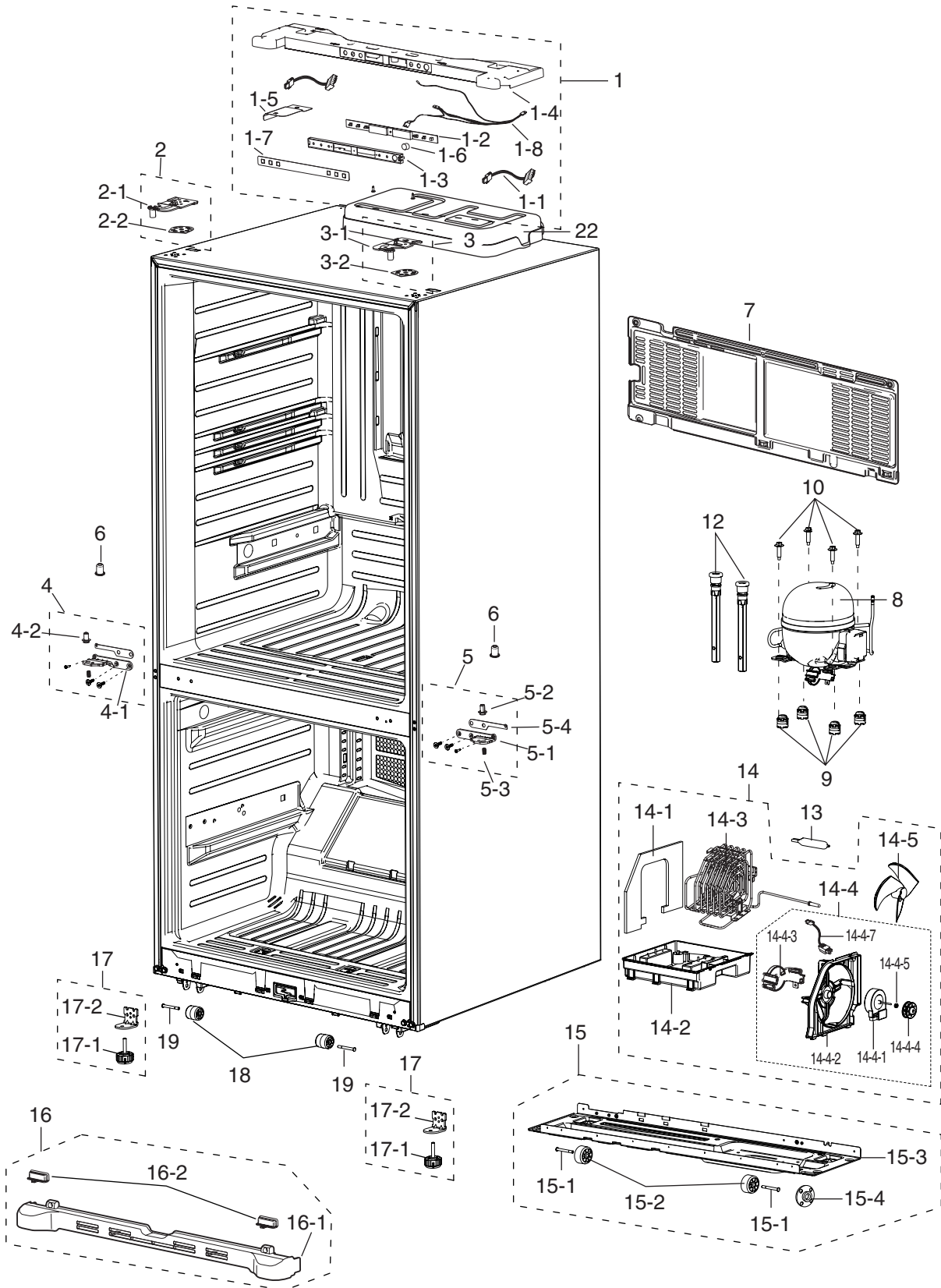
EXPLODED VIEW & PARTS LIST

■ Parts List of Refrigerator (RF67**)

NO	CODE-NO	PART NAME	SPEC	QUAN TITY	REMARK
10-18	DA63-04439A	COVER-EVAP REF	NW2-PJT,PP,-,-,-,-,-,COOL WHT,-	1	
10-19	DA63-40167A	GROMMET-COVER CHIL	T3.0,SILICON,-,-,-,-,-,NTR	1	
10-20	DA64-02065A	TRIM-COVER EVAP REF	AW-PJT,ABS,-,-,-,-,COOL WHITE,-	1	
10-21	DA96-00042A	ASSY-HARNESS MOTOR	A-TOP UL(MOTOR),C-FAN,350MM	1	
11	DA96-00461H	ASSY EVAP-REF	NW2-PJT,PIN,220V,120W,R600a	1	
11-1	6501-000123	CABLE TIE	DACT-140,-,3.6,146,WHT(NTR),NYLON	2	
11-2	DA32-00006S	SENSOR TEMP-R-DEF	PX-41C,502AT,AW-PJT,-40~110°...5V,-,R-DEF SENSOR,YEL,400MM	1	
11-3	DA47-00301D	THERMO FUSE-ASSY	ARAM,120V/250V,15A/10A,109~110°...150mm	1	
11-4	DA47-00244F	HEATER-METAL SHEATH	-,AW-PJT,-,120W,-,230V,440.8 ohm,-,R-ROOM	1	
11-5	DA59-00357B	EVAP REF	-,,-,-,-,-,AW-PJT,-	1	
11-6	DA60-90005A	RIVET-AVEX	AL,D3.2,L10.6	1	
11-7	DA61-03644A	PLATE-EVAP HEATER	AW-PJT,AL,T0.7,-,-,-,-	1	
11-8	DA61-05834A	FIXER-FUSE REF	AW3-PJT,PP,NTR	1	
11-9	DA61-04148A	PLATE-DRAIN REF	AW-PJT('08),GALVANUME,T0.3,-,-,-,-	1	
12	DA61-05292A	GUIDE-FRENCH	NW2-FDR,PC-ABS,31.3,95.1,COOL WHITE,SC-02740R	1	

EXPLODED VIEW & PARTS LIST

5-3) Cabinet



EXPLODED VIEW & PARTS LIST

■ Parts List of Cabinet (RF62QE / RF62HE)

NO	CODE-NO	PART NAME	SPEC	QUAN TITY	REMARK
1	DA97-07654D	ASSY-TOP TABLE	NW2-FDR,I BLACK(SC-00477R),GREEN LED(Centigrade)	1	
1	DA97-07654E	ASSY-TOP TABLE	NW2-FDR,CREAMY STS(SC-07009R),GREEN LED(Centigrade)	1	
1	DA97-07654F	ASSY-TOP TABLE	NW2-FDR,CREAMY STS(SC-07009R),GREEN LED(Centigrade)	1	
1-1	DA34-00043E	SWITCH REED-ASS'Y	200VDC,1.5A,ARAM	2	
1-2	DA41-00635D	PBA PANEL	NW2-FDR,PJT,DOOR REF,FR4,300*19.5*1.6T,YELLOW GREEN LED,°,...,12V,5V,N	1	
1-3	DA61-05316A	CASE-PBA DISPLAY	NW2-FDR,HIPS,L303.2,NTR	1	
1-4	DA64-02960A	TOP TABLE	NW2-FDR,ABS,I-BLACK (SC-00477R),T2.0,L811	1	
1-4	DA64-02960B	TOP TABLE	NW2-FDR,ABS,SNOW WHITE(SC-97527TP),T2.0,L812.0,SE-8005	1	
1-4	DA64-02960C	TOP TABLE	NW2-FDR,ABS,CREAMY STS(SC-07009R),T2.0,L812.0,SE-8005	1	
1-5	DA61-04052A	PLATE-TOP TABLE	AW-PJT,SBHG1,T0.3,67.8,115,-,AW-BASIC	1	
1-6	DA64-02071A	BUTTON-CONTROL	AW-PJT,GPPS,-,-,NTR,-	1	
1-7	DA64-02981D	INLAY-DISPLAY	NW2-FDR,PC,T0.25,I BLACK(SC-00477R),Centigrade	1	
1-7	DA64-02981E	INLAY-DISPLAY	NW2-FDR,PC,T0.25,SNOW WHITE(SC-97527R),Centigrade	1	
1-7	DA64-02981F	INLAY-DISPLAY	NW2-FDR,PC,T0.25,CREAMY STS(SC-07009R),Centigrade	1	
1-8	DA96-00571A	ASSY W/HARNESS-TOP TABLE	NW2-PJT,FDR	1	
2	DA97-06715C	ASSY HINGE UPP-L	NW2-FDR,T3.0,BLACK	1	
2-1	DA61-04475B	HINGE-UPP L	NW2-PJT,SHP1,T3.0,-,-,BLACK,-,-	1	
2-2	DA63-02527C	SHIM HINGE-UPP	NW2-FDR,RD-PVC,T1.0,NTR	1	
3	DA97-06716D	ASSY HINGE UPP-R	NW2-FDR,T3.0,BLACK	1	
3-1	DA61-04476B	HINGE-UPP R	NW2-PJT,SHP1,T3.0,-,-,BLACK,-,-	1	
3-2	DA63-02527C	SHIM HINGE-UPP	NW2-FDR,RD-PVC,T1.0,NTR	1	
4	DA97-07514C	ASSY HINGE MID-L	NW2-FDR,Ni-Cr Plated,DRAWER-TYPE	1	
4-1	DA61-04916D	HINGE-MID L	AW2,SHP1,T4.5,Ni-Cr+Cu Plating,Heat Treatment,SNC2	1	
4-2	DA63-04694D	SHIM-HINGE MID	NW2-FDR,RD-PVC,T1.0,NTR	1	
5	DA97-07515B	ASSY HINGE MID-R	NW2-FDR,T4.5,-,-,Ni-Cr Plated,-,-	1	
5-1	DA66-00686A	SHAFT HINGE-MID LOW	NW2-FDR,MSWR10,38,18,-,-,SWINGING	1	
5-2	DA61-04917E	HINGE-MID R	NW2-FDR,SHP1,T4.5,-,-,Ni-Cr Plated,-,-	1	
5-3	DA63-04694D	SHIM-HINGE MID	NW2-FDR,RD-PVC,T1.0,NTR	1	
6	DA63-02905A	GROMMET HINGE-MID,R	NEXT,POM,T2.0,-,-,-,WHITE,-	1	
7	DA97-07835A	ASSY COVER COMP	NW2-FDR,T0.4,W263.6,L716.0	1	
8	EU4A5QL2X/E01	COMPRESSOR	15.31CC,BLDC,R-600A	1	
9	DA63-02617A	GROMMET COMP	QUEEN,EPDM,-,-,-,-,BLACK,-	4	
10	DA60-20008A	BOLT-HEX	S25C,M6,-,-,L42.6,WHITE,-,ZPC	4	
12	DA97-04049A	ASSY CAP-DRAIN	EPEL,ASSY,-,-,L224.5,-,SOFT-PVC	2	
13	DA62-01514A	DRYER	C1220T,OD18.70,L114,-,-,-	1	
14	DA97-07655A	ASSY TRAY-DRAIN WATER	NW2-FDR,PP SCRAP,SPIRAL COND.	1	
14-1	DA62-00954A	SEAL-SUB COND	W2-05,FOAM-PE,-,T7,-,-,-	1	
14-2	DA63-04466A	TRAY DRAIN-WATER	NW2,PP,-,-,-,NTR,-	1	
14-3	DA97-07653A	ASSY PIPE-CONDENSER	NW2-FDR	1	
14-4	DA97-03145L	ASSY SUPPORT-CIRCUIT	AW2-PJT,-,-,-,1550RPM,2.7W	1	
14-4-1	DA31-00146B	MOTOR BLDC	DRCP5030LA,1560,-,DC12V,230mA,-,-,2.7W,ATOP	1	
14-4-2	DA61-02349B	SUPPORT-CIRCUIT MOTOR	NEXT,ABS,-,-,-,NTR,-	1	
14-4-3	DA61-02355B	BRACKET-CIRCUIT MOTOR	ABS,NEXT,-,-,-,NTR,-	1	
14-4-4	DA63-01146A	GROMMET-MOTOR,REAR	A-TOP,NBR,-,-,-,ID6.5,OD42,BLK,BLDC	1	
14-4-5	DA63-40167A	GROMMET-COVER CHIL	SILICON,T3.0,-,L16,-,-,BLACK,-	1	
14-4-6	DA96-00042A	ASSY-HARNESS MOTOR	A-TOP UL(MOTOR),C-FAN,350MM	1	
14-5	DA31-00010D	FAN-ASS'Y	ET,ZIPEL,ASSY,-,UNIT, 150	1	
15	DA97-06815B	ASSY CHASSIS COMP	NW2/FDR,CASTER(TPE)	1	
15-1	DA66-00649A	SHAFT-CASTER	AW-PJT,MSWR10,L46,OD8.2,-,-,ZPC2 / 2	2	
15-2	DA61-04703A	CASTER-REAR	AW-PJT,PP,-,35,NTR,35,PP+TPE / 2	2	
15-3	DA64-02694A	CHASSIS COMP	NW2,SBHG1,T1.2,-,-,-,-	1	

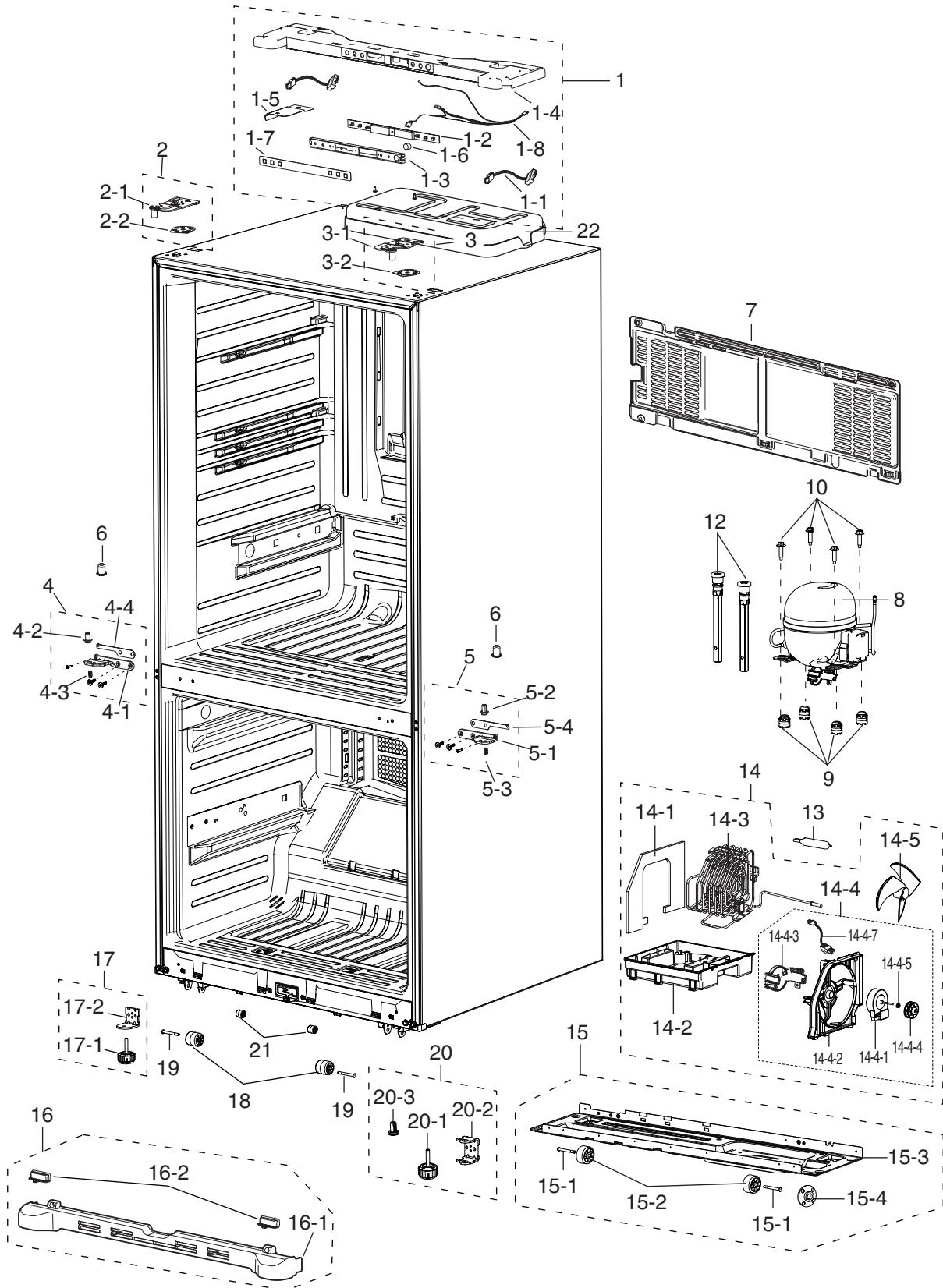
EXPLODED VIEW & PARTS LIST

■ Parts List of Cabinet (RF62QE / RF62HE)

NO	CODE-NO	PART NAME	SPEC	QUAN TITY	REMARK
15-4	DA71-50240B	BRACKET-CABI	ALL,SBHG1,T1.6,-,-,-	1	
16	DA97-07836B	ASSY COVER LEG FRONT	NW2-FDR,I-BLACK,DRAWER	1	
16	DA97-07836C	ASSY COVER LEG FRONT	NW2-FDR,SNOW WHITE,DRAWER	1	
16	DA97-07836A	ASSY COVER LEG FRONT	NW2-FDR,CREAMY-STS,DRAWER	1	
16-1	DA63-05106B	COVER LEG-FRONT	NW2,PP,I-BLACK(SC-00477R),NEW09	1	
16-1	DA63-05106C	COVER LEG-FRONT	NW2,PP,SNOW WHITE(SC-97527R),NEW09	1	
16-1	DA63-05106A	COVER LEG-FRONT	NW2,PP,CREAMY STS	1	
16-2	DA67-02071B	CAP LEG FRONT	NW2,PP,-,-,I-BLACK,SC-00477R	2	
16-2	DA67-02071C	CAP LEG FRONT	NW2,PP,-,-,SNOW WHITE,SC-97527R	2	
16-2	DA67-02071A	CAP LEG FRONT	NW2,PP,-,-,CREAMY STS,-	2	
17	DA97-06688B	ASSY SUPPORT-FOOT	NW2-FDR,FOOT FRONT(DA61-04977A) /	2	
17-1	DA61-04977A	FOOT-FRONT	AW2-PJT,PP+MSWR10,-,BLACK,-,-,- / 2	1	
17-2	DA61-04490A	SUPPORT-FOOT FRONT	NW2,SHP1,T4.0,-,-,- / 2	1	
18	DA61-04702A	CASTER-FRONT	AW-PJT,PP,-,35,NTR,35,PP+TPE	2	
19	DA61-01920A	CASTER-RIVET	(ZPC2),MSWR10,OD8.0,L54,-,-,-	2	
22	DA63-03020B	COVER PCB-PANEL	CORE-PJT,SBHG1,T0.5,-,-,-,-	1	

EXPLODED VIEW & PARTS LIST

5-3) Cabinet



EXPLODED VIEW & PARTS LIST

■ Parts List of Cabinet (RF62UB, RF67VB)

NO	CODE-NO	PART NAME	SPEC	QUANTITY	REMARK
1	DA97-07654D	ASSY-TOP TABLE	NW2-FDR,I BLACK(SC-00477R),GREEN LED(Centigrade)	1	
1	DA97-07654E	ASSY-TOP TABLE	NW2-FDR,CREAMY STS(SC-07009R),GREEN LED(Centigrade)	1	
1	DA97-07654F	ASSY-TOP TABLE	NW2-FDR,CREAMY STS(SC-07009R),GREEN LED(Centigrade)	1	
1-1	DA34-00043E	SWITCH REED-ASS'Y	200VDC,1.5A,ARAM	2	
1-2	DA41-00635D	PBA PANEL	NW2-FDR-PJT,DOOR REF,FR-4,300*19.5*1.6T,YELLOW GREEN LED,°,...,12V,5V,N	1	
1-3	DA61-05316A	CASE-PBA DISPLAY	NW2-FDR,HIPS,L303.2,NTR	1	
1-4	DA64-02960A	TOP TABLE	NW2-FDR,ABS,I-BLACK (SC-00477R),T2.0,L811	1	
1-4	DA64-02960B	TOP TABLE	NW2-FDR,ABS,SNOW WHITE(SC-97527TP),T2.0,L812.0,SE-8005	1	
1-4	DA64-02960C	TOP TABLE	NW2-FDR,ABS,CREAMY STS(SC-07009R),T2.0,L812.0,SE-8005	1	
1-5	DA61-04052A	PLATE-TOP TABLE	AW-PJT,SBHG1,T0.3,67.8,115,-,AW-BASIC	1	
1-6	DA64-02071A	BUTTON-CONTROL	AW-PJT,GPPS,-,-,NTR,-	1	
1-7	DA64-02981D	INLAY-DISPLAY	NW2-FDR,PC,T0.25,I BLACK(SC-00477R),Centigrade	1	
1-7	DA64-02981E	INLAY-DISPLAY	NW2-FDR,PC,T0.25,SNOW WHITE(SC-97527R),Centigrade	1	
1-7	DA64-02981F	INLAY-DISPLAY	NW2-FDR,PC,T0.25,CREAMY STS(SC-07009R),Centigrade	1	
1-8	DA96-00571A	ASSY W/HARNESS-TOP TABLE	NW2-PJT,FDR	1	
2	DA97-06715C	ASSY HINGE UPP-L	NW2-FDR,T3.0,BLACK	1	
2-1	DA61-04475B	HINGE-UPP L	NW2-PJT,SHP1,T3.0,-,-,BLACK,-,-	1	
2-2	DA63-02527C	SHIM HINGE-UPP	NW2-FDR,RD-PVC,T1.0,NTR	1	
3	DA97-06716D	ASSY HINGE UPP-R	NW2-FDR,T3.0,BLACK	1	
3-1	DA61-04476B	HINGE-UPP R	NW2-PJT,SHP1,T3.0,-,-,BLACK,-,-	1	
3-2	DA63-02527C	SHIM HINGE-UPP	NW2-FDR,RD-PVC,T1.0,NTR	1	
4	DA97-07514B	ASSY HINGE MID-L	NW2-FDR,T4.5,-,-,Ni-Cr Plated,-,-	1	
4-1	DA61-04916E	HINGE-MID L	NW2-FDR,SHP1,T4.5,-,-,Ni-Cr+Cu Plating,-,Heat Treatment,SNC2	1	
4-2	DA63-04694D	SHIM-HINGE MID	NW2-FDR,RD-PVC,T1.0,NTR	1	
4-3	DA66-00686A	SHAFT HINGE-MID LOW	NW2-FDR,MSWR10,38,18,-,-,SWINGING	1	
5	DA97-07515C	ASSY HINGE MID-R	NW2-FDR,Ni-Cr Plated,DRAWER-TYPE	1	
5-1	6011-001442	BOLT-SOCKET	M8,L13.4,ZPC(BLK),SCM435,-	1	
5-2	DA61-04917D	HINGE-MID R	AW2,SHP1,T4.5,Ni-Cr+Cu Plating,Heat Treatment,SNC2	1	
5-3	DA63-04694D	SHIM-HINGE MID	NW2-FDR,RD-PVC,T1.0,NTR	1	
6	DA63-02905A	GROMMET HINGE-MID,R	NEXT,POM,T2.0,-,-,-,WHITE,-	1	
7	DA97-07835A	ASSY COVER COMP	NW2-FDR,T0.4,W263.6,L716.0	1	
8	EU4A5QL2X/E01	COMPRESSOR	15.31CC,BLDC,R-600A	1	
9	DA63-02617A	GROMMET COMP	QUEEN,EPDM,-,-,-,-,BLACK,-	4	
10	DA60-20008A	BOLT-HEX	S25C,M6,-,-,L42.6,WHITE,-,ZPC	4	
12	DA97-04049A	ASSY CAP-DRAIN	EPEL,ASSY,-,-,L224.5,-,SOFT-PVC	2	
13	DA62-01514A	DRYER	C1220T,OD18.70,L114,-,-,-	1	
14	DA97-07655A	ASSY TRAY-DRAIN WATER	NW2-FDR,PP SCRAP,SPIRAL COND.	1	
14-1	DA62-00954A	SEAL-SUB COND	W2-05,FOAM-PE,-,T7,-,-,-	1	
14-2	DA63-04466A	TRAY DRAIN-WATER	NW2,PP,-,-,-,NTR,-	1	
14-3	DA97-07653A	ASSY PIPE-CONDENSER	NW2-FDR	1	
14-4	DA97-03145L	ASSY SUPPORT-CIRCUIT	AW2-PJT,-,-,-,1550RPM,2.7W	1	
14-4-1	DA31-00146B	MOTOR BLDC	DRCP5030LA,1560,-,DC12V,230mA,-,-,2.7W,ATOP	1	
14-4-2	DA61-02349B	SUPPORT-CIRCUIT MOTOR	NEXT,ABS,-,-,-,NTR,-	1	
14-4-3	DA61-02355B	BRACKET-CIRCUIT MOTOR	ABS,NEXT,-,-,-,NTR,-	1	
14-4-4	DA63-01146A	GROMMET-MOTOR,REAR	A-TOP,NBR,-,-,-,ID6.5,OD42,BLK,BLDC	1	
14-4-5	DA63-40167A	GROMMET-COVER CHIL	SILICON,T3.0,-,L16,-,-,BLACK,-	1	
14-4-6	DA96-00042A	ASSY-HARNESS MOTOR	A-TOP UL(MOTOR),C-FAN,350MM	1	
14-5	DA31-00010D	FAN-ASS'Y	ET,ZIPEL,ASSY,-,UNIT, 150	1	
15	DA97-06815B	ASSY CHASSIS COMP	NW2/FDR,CASTER(TPE)	1	
15-1	DA66-00649A	SHAFT-CASTER	AW-PJT,MSWR10,L46,OD8.2,-,-,ZPC2 / 2	2	
15-2	DA61-04703A	CASTER-REAR	AW-PJT,PP,-,35,NTR,35,PP+TPE / 2	2	

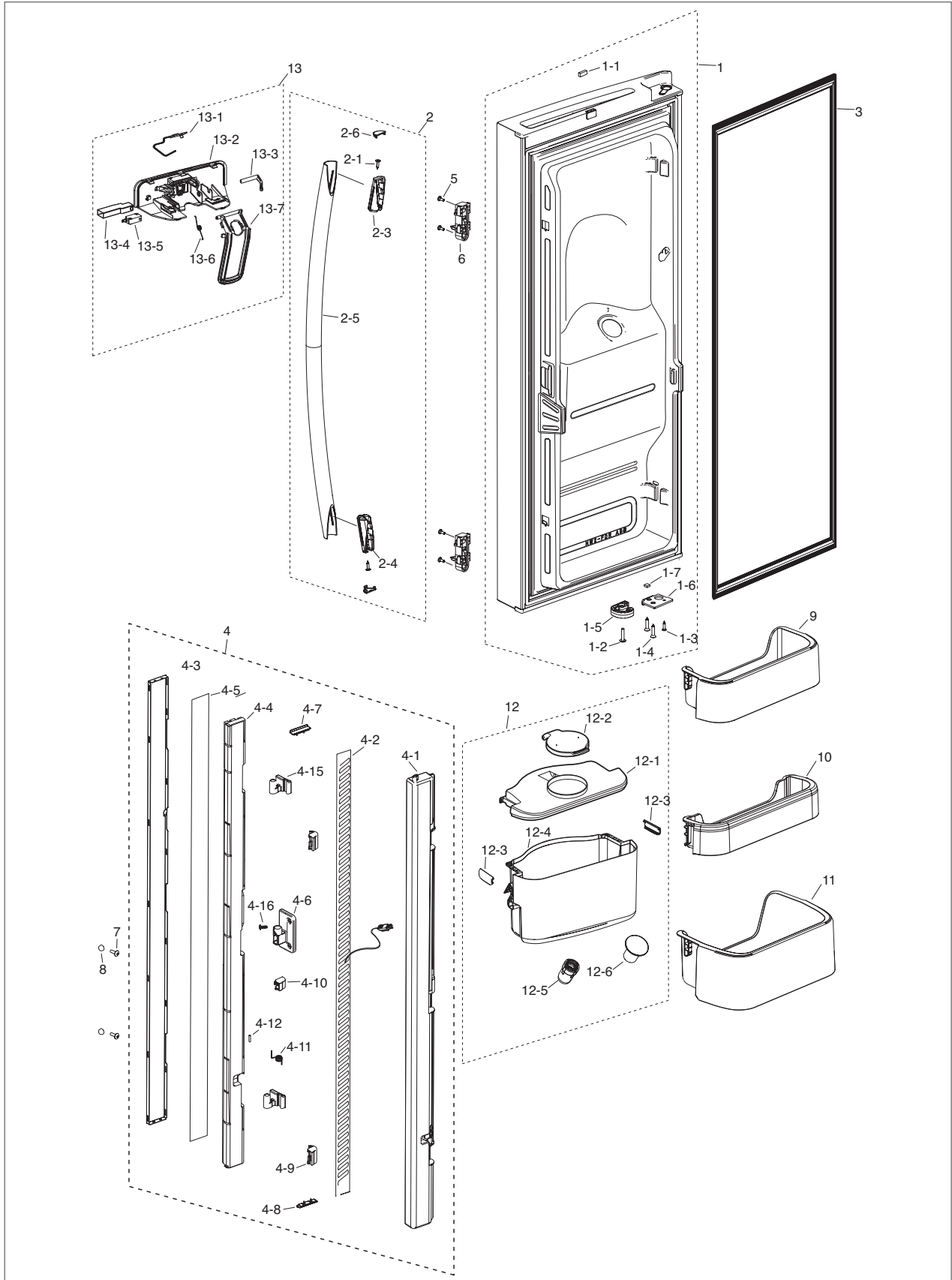
EXPLODED VIEW & PARTS LIST

■ Parts List of Cabinet (RF62UB, RF67VB)

NO	CODE-NO	PART NAME	SPEC	QUAN TITY	REMARK
15-3	DA64-02694A	CHASSIS COMP	NW2,SBHG1,T1.2,,-,-,-	1	
15-4	DA71-50240B	BRACKET-CABI	ALL,SBHG1,T1.6,,-,-,-	1	
16	DA97-07836B	ASSY COVER LEG FRONT	NW2-FDR,I-BLACK,DRAWER	1	
16	DA97-07836C	ASSY COVER LEG FRONT	NW2-FDR,SNOW WHITE,DRAWER	1	
16	DA97-07836A	ASSY COVER LEG FRONT	NW2-FDR,CREAMY-ST5,DRAWER	1	
16-1	DA63-05106B	COVER LEG-FRONT	NW2,PP,I-BLACK(SC-00477R),NEW09	1	
16-1	DA63-05106C	COVER LEG-FRONT	NW2,PP,SNOW WHITE(SC-97527R),NEW09	1	
16-1	DA63-05106A	COVER LEG-FRONT	NW2,PP,CREAMY ST5	1	
16-2	DA67-02071B	CAP LEG FRONT	NW2,PP,-,-,-,I-BLACK,SC-00477R	2	
16-2	DA67-02071C	CAP LEG FRONT	NW2,PP,-,-,-,SNOW WHITE,SC-97527R	2	
16-2	DA67-02071A	CAP LEG FRONT	NW2,PP,-,-,-,CREAMY ST5,-	2	
17	DA97-06688B	ASSY SUPPORT-FOOT	NW2-FDR,FOOT FRONT(DA61-04977A) /	2	
17-1	DA61-04977A	FOOT-FRONT	AW2-PJT,PP+MSWR10,-,BLACK,-,-,- / 2	1	
17-2	DA61-04490A	SUPPORT-FOOT FRONT	NW2,SHP1,T4.0,-,-,-,- / 2	1	
18	DA61-04702A	CASTER-FRONT	AW-PJT,PP,-,35,NTR,35,PP+TPE	2	
19	DA61-01920A	CASTER-RIVET	(ZPC2),MSWR10,OD8.0,L54,-,-,-	2	
20	DA97-06706B	ASSY HINGE LOW	NW2-FDR,FOOT FRONT(DA61-04977A)	1	
20-1	DA61-04488A	HINGE LOW	NW2,SHP1,T4.0,-,-,-,-	1	
20-2	DA61-04977A	FOOT FRONT	AW2-PJT,PP+MSWR10,-,BLACK,-,-,-	1	
20-3	DA66-00611A	SHAFT HINGE MID	NW2,SM45C,-,-,-,-,DRAWER	1	
21	DA66-00276A	ROLLER VEG	TD-PJT,POM,-,-,-,-	2	
22	DA63-03020B	COVER PCB PANLE	CORE-PJT,SBHG1,T0.5,-,-,-,-,-	1	

EXPLODED VIEW & PARTS LIST

5-4) Disassembly of Refrigerator Door Left



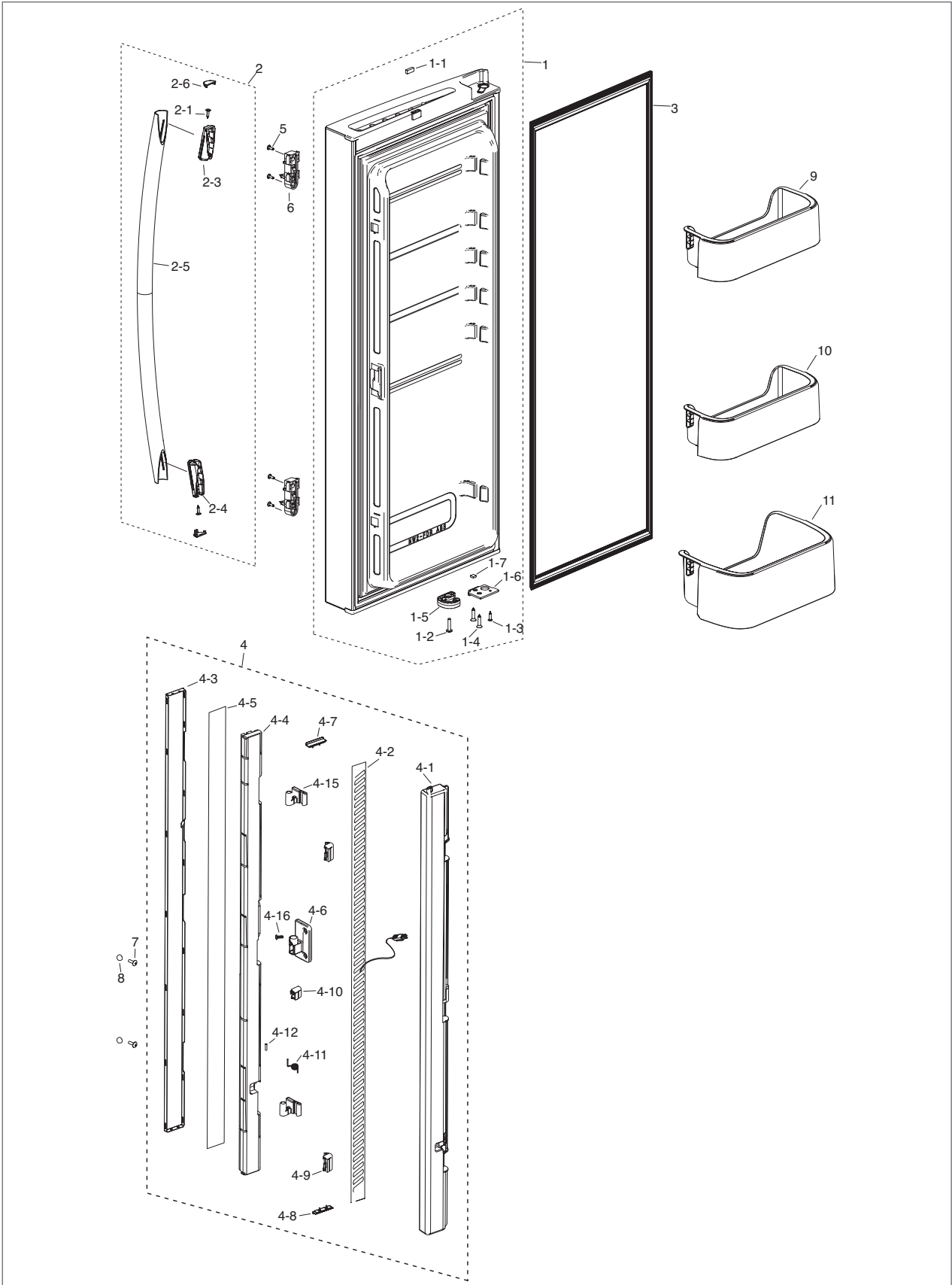
EXPLODED VIEW & PARTS LIST

■ Parts List of Refrigerator Door-Left (RF62QE, RF67VB)

NO	CODE-NO	PART NAME	SPEC	QUAN TITY	REMARK
1	DA91-02901A	ASSY DOOR FOAM REF-L DISP	NW2-FDR,EMPIRE BLACK,WATER DISPENSER	1	
1	DA91-02901B	ASSY DOOR FOAM REF-L DISP	NW2-FDR,SNOW WHITE,WATER DISPENSER	1	
1	DA91-02901C	ASSY DOOR FOAM REF-L DISP	NW2-FDR,PLATINUM INOX,WATER DISPENSER	1	
1	DA91-02901D	ASSY DOOR FOAM REF-L DISP	NW2-FDR,REAL STS(STS430),WATER DISPENSER	1	
1-1	DA61-03769A	MAGNET	HERMES,-,5x7x18,-,-,1200Gauss	1	
1-2	6001-001377	SCREW-MACHINE	TH,+,-,M5,L25,ZPC(WHT),SWRCH18A,FP,-	1	
1-3	6002-001120	SCREW-TAPPING	FH,+,-,1,M4,L18,ZPC(WHT),SWRCH18A	1	
1-4	6009-001475	SCREW-SPECIAL	FH,+,-,M5,L25(15.5),PASS,STS304,1,-	2	
1-5	DA61-02383A	SUPPORT-DOOR CLOSE	NEXT,POM,-,-,-,-	1	
1-5	DA61-02383C	SUPPORT-DOOR CLOSE	NEXT,POM,-,-,-,SNOW WHITE,-	1	
1-5	DA61-02383E	SUPPORT-DOOR CLOSE	AW-PJT,POM,-,-,-,CREAMY STS,-A	1	
1-6	DA61-03211A	STOPPER-DOOR L	AW-PJT,SHP1,T2.9,-,-,-	1	
1-7	DA63-40294A	GROMMET-STOPPER	T3XW8XL8,NR,-,-,-,-,BLK	1	
1-8	DA61-04443A	GUIDE WATER-TANK	MT-PJT,PP,-,-,-,COOL WHITE,-	1	
2	DA97-08879A	ASSY HANDLE-BAR REF	NW2-FDR,MATURE BLACK	2	
2	DA97-08879B	ASSY HANDLE-BAR REF	NW2-FDR,SNOW WHITE	2	
2	DA97-08879C	ASSY HANDLE-BAR REF	NW2-FDR,REAL STAINLESS,HAIR LINE #4	2	
2-1	6002-001364	SCREW-TAPPING	FH,+,-,1,M4,L14,CR PLT,SWRCH18A,-	2	
2-2	DA01-00622A	FILM-HANDLE	NW2 FDR,PET,T0.125,TWO SIDE TAPE	1	
2-3	DA61-06253A	SUPPORT-HANDLE REF UPP	NW2_FDR,POM,NTR,GF 10%	1	
2-4	DA61-06254A	SUPPORT-HANDLE REF LOW	NW2_FDR,POM,NTR,GF 10%	1	
2-5	DA64-03342A	HANDLE-BAR REF	NW2-FDR,AL,MATURE BLACK	1	
2-5	DA64-03342B	HANDLE-BAR REF	NW2-FDR,AL,SNOW WHITE		
2-5	DA64-03342C	HANDLE-BAR REF	NW2-FDR,AL,REAL STAINLESS,HAIR LINE #4	1	
2-6	DA67-02673A	CAP-HANDLE REF	NW2_FDR,ABS,NTR,NI-CR Plating	2	
2-6	DA67-02673B	CAP-HANDLE REF	NW2_FDR,ABS,I-BLACK	2	
2-6	DA67-02673C	CAP-HANDLE REF	NW2_FDR,ABS,SNOW WHITE	2	
3	DA97-07668A	ASSY-GASKET DOOR REF	NW2-FDR,BLACK,-,-A	1	
3	DA97-07668B	ASSY-GASKET DOOR REF	NW2-FDR,GRAY,-,-	1	
4	DA97-07661D	ASSY-FRENCH	NW2-FDR,10W,230V,BLACK	1	
4	DA97-07661E	ASSY-FRENCH	NW2-FDR,10W,230V,BLACK,SNOW-WHITE	1	
4	DA97-07661F	ASSY-FRENCH	NW2-FDR,10W,230V,BLACK,THAI SILVER	1	
4-1	DA61-05315A	CASE-FRENCH	NW2-FDR,ABS,888.9,COOL WHITE (SC-02740R)	1	
4-2	DA47-00245F	HEATER CORD-FRENCH	NW2-PJT,P-CORD,10W,230V,7557,FRENCH	1	
4-3	DA61-05291A	PLATE-FRENCH	NW2-FDR,SECC1,T0.8,41.1,879.3,ALL BLACK	1	
4-3	DA61-05291B	PLATE-FRENCH	NW2-FDR,SECC1,T0.8,W41.1,L879.3,SNOW-WHITE,SC-97527TP	1	
4-3	DA61-05291C	PLATE-FRENCH	NW2-FDR,SECC1,T0.8,W41.1,L879.3,THAI SILVER,SC-03012T	1	
4-4	DA62-02212A	INSULATION-FRENCH	NW2-FDR,FOAM-PS,883.0	1	
4-5	DA62-02294A	SEAL-CUTT FRENCH	NW2-FDR,SPONGE+AL,-,T3,W35,L880,-	1	
4-6	DA63-03454B	COVER-HEATER FRENCH	AW-PJT,PC(HF-1023IM),-,-,-,-,COOL-WHITE(SC-02740R,-	1	
4-7	DA63-03508A	GASKET-FRENCH	AW-PJT,SF-PVC,-,-,-,BLACK,-,-	1	
4-7	DA63-03508C	GASKET-FRENCH	AW-PJT,SILICON,-,W9.9,L41.1,WHITE,-,-	1	
4-7	DA63-03508B	GASKET-FRENCH	AW-PJT,SILICON,-,W9.9,L41.1,GRAY,-,-	1	
4-8	DA63-05158A	GASKET-FRENCH	NW2-FDR,SILICON,0.8,BLACK	1	
4-8	DA63-05158C	GASKET-FRENCH	NW2-FDR,SILICON,0.8,-,-,WHITE,-,-	1	
4-8	DA63-05158B	GASKET-FRENCH	NW2-FDR,SILICON,0.8,-,-,GRAY,-,-	1	
4-9	DA67-01650A	CAP-CASE FRENCH	AW-PJT,ABS,-,-,-,-	1	
4-10	DA67-01701A	CAP-CASE FRENCH MID	AW-PJT,ABS,-,-,-,-	1	
4-11	DA81-01345A	SPRING-ETC FRENCH	STS304,P11.4,-,-,-,-	1	
4-12	DA81-01346A	PIN-FRENCH SPRING	RD-PVC,WHITE,-,-,-,-	1	
4-13	DA67-02306A	CAP-GUIDE FRENCH UPP	AW2 CD,POM,-,-,-,COOL WHITE,-	1	

EXPLODED VIEW & PARTS LIST

5-4) Disassembly of Refrigerator Door Left



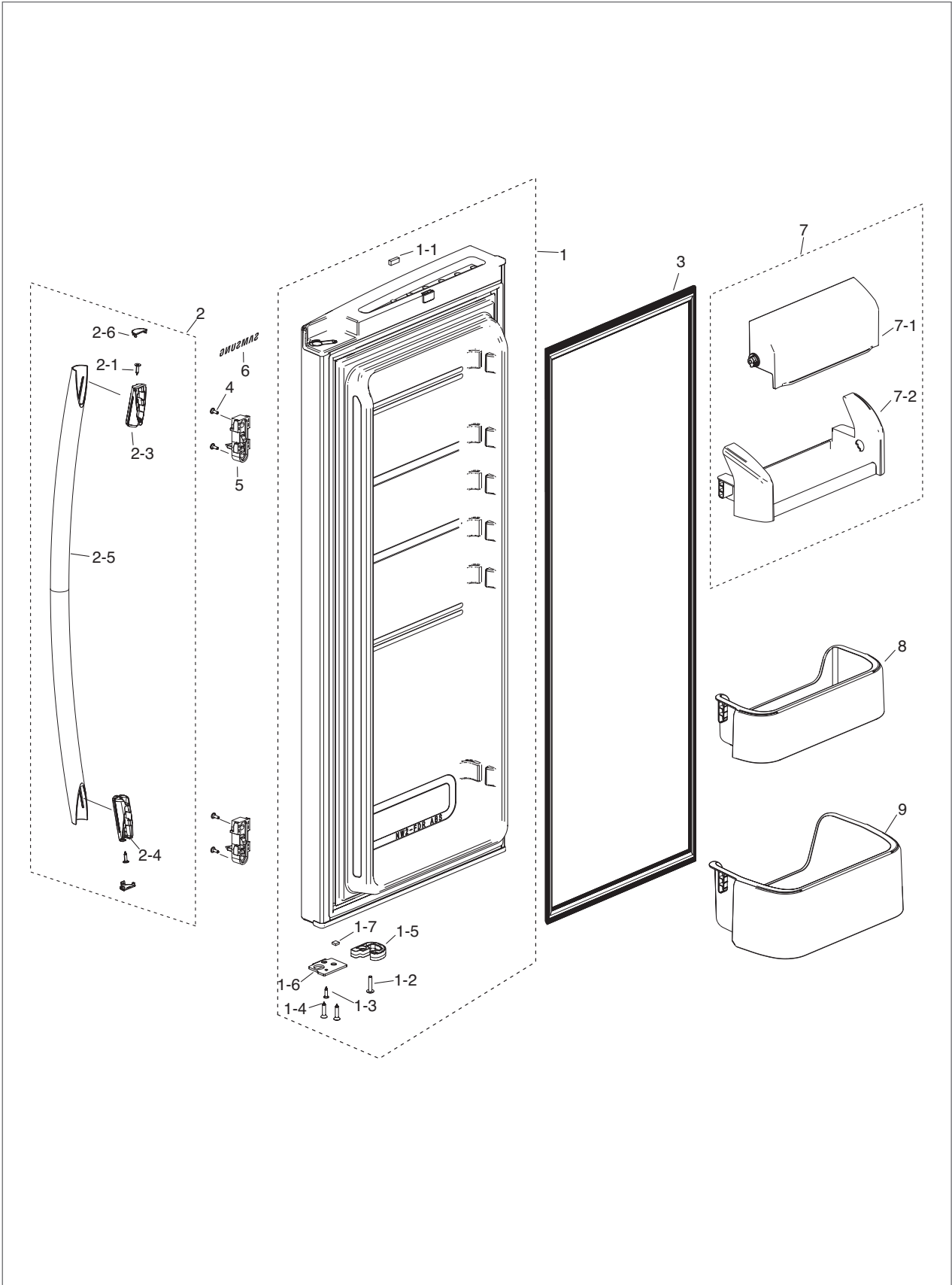
EXPLODED VIEW & PARTS LIST

■ Parts List of Refrigerator Door-Left (RF62HE, RF62UB)

NO	CODE-NO	PART NAME	SPEC	QUAN TITY	REMARK
1	DA91-02889A	ASSY DOOR FOAM REF L	NW2-FDR,BLACK,-,-,BASIC	1	
1	DA91-02889B	ASSY DOOR FOAM REF L	NW2-FDR,WHITE,-,-,BASIC	1	
1	DA91-02889C	ASSY DOOR FOAM REF L	NW2-FDR,INOX,-,-,BASIC	1	
1	DA91-02889D	ASSY DOOR FOAM REF L	NW2-FDR,REAL STS,-,-,STS201(DY01CU),BASIC	1	
1-1	DA61-03769A	MAGNET	HERMES,-,5x7x18,-,-,1200Gauss	1	
1-2	6001-001377	SCREW-MACHINE	TH,+,-,M5,L25,ZPC(WHT),SWRCH18A,FP,-	1	
1-3	6002-001120	SCREW-TAPPING	FH,+,-,1,M4,L18,ZPC(WHT),SWRCH18A	1	
1-4	6009-001475	SCREW-SPECIAL	FH,+,-,M5,L25(15.5),PASS,STS304,1,-	2	
1-5	DA61-02383A	SUPPORT-DOOR CLOSE	NEXT,POM,-,-,-,-	1	
1-5	DA61-02383C	SUPPORT-DOOR CLOSE	NEXT,POM,-,-,-,SNOW WHITE,-	1	
1-5	DA61-02383E	SUPPORT-DOOR CLOSE	AW-PJT,POM,-,-,-,CREAMY STS,-	1	
1-6	DA61-03211A	STOPPER-DOOR L	AW-PJT,SHP1,T2.9,-,-,-	1	
1-7	DA63-40294A	GROMMET-STOPPER	T3XW8XL8,NR,-,-,-,-,BLK	1	
2	DA97-08879A	ASSY HANDLE-BAR REF	NW2-FDR,MATURE BLACK	2	
2	DA97-08879B	ASSY HANDLE-BAR REF	NW2-FDR,SNOW WHITE	2	
2	DA97-08879C	ASSY HANDLE-BAR REF	NW2-FDR,REAL STAINLESS,HAIR LINE #4	2	
2-1	6002-001364	SCREW-TAPPING	FH,+,-,1,M4,L14,CR PLT,SWRCH18A,-	2	
2-2	DA01-00622A	FILM-HANDLE	NW2 FDR,PET,T0.125,TWO SIDE TAPE	1	
2-3	DA61-06253A	SUPPORT-HANDLE REF UPP	NW2_FDR,POM,NTR,GF 10%	1	
2-4	DA61-06254A	SUPPORT-HANDLE REF LOW	NW2_FDR,POM,NTR,GF 10%	1	
2-5	DA64-03342A	HANDLE-BAR REF	NW2-FDR,AL,MATURE BLACK	1	
2-5	DA64-03342B	HANDLE-BAR REF	NW2-FDR,AL,SNOW WHITE		
2-5	DA64-03342C	HANDLE-BAR REF	NW2-FDR,AL,REAL STAINLESS,HAIR LINE #4	1	
2-6	DA67-02673A	CAP-HANDLE REF	NW2_FDR,ABS,NTR,NI-CR Plating	2	
2-6	DA67-02673B	CAP-HANDLE REF	NW2_FDR,ABS,I-BLACK	2	
2-6	DA67-02673C	CAP-HANDLE REF	NW2_FDR,ABS,SNOW WHITE	2	
3	DA97-07668A	ASSY-GASKET DOOR REF	NW2-FDR,BLACK,-,-	1	
3	DA97-07668B	ASSY-GASKET DOOR REF	NW2-FDR,GRAY,-,-	1	
4	DA97-07661D	ASSY-FRENCH	NW2-FDR,10W,BLACK,-	1	
4	DA97-07661E	ASSY-FRENCH	NW2-FDR,10W,SNOW-WHT,-	1	
4	DA97-07661F	ASSY-FRENCH	NW2-FDR,10W,THAI SILVER,-	1	
4-1	DA61-05315A	CASE-FRENCH	NW2-FDR,ABS,888.9,COOL WHITE (SC-02740R)	1	
4-2	DA47-00245F	HEATER CORD-FRENCH	NW2-PJT,P-CORD,10W,230V,7557,FRENCH	1	
4-3	DA61-05291A	PLATE-FRENCH	NW2-FDR,SECC1,T0.8,41.1,879.3,ALL BLACK	1	
4-3	DA61-05291B	PLATE-FRENCH	NW2-FDR,SECC1,T0.8,W41.1,L879.3,SNOW-WHITE,SC-97527TP	1	
4-3	DA61-05291C	PLATE-FRENCH	NW2-FDR,SECC1,T0.8,W41.1,L879.3,THAI SILVER,SC-03012T	1	
4-4	DA62-02212A	INSULATION-FRENCH	NW2-FDR,FOAM-PS,883.0	1	
4-5	DA62-02294A	SEAL-CUTT FRENCH	NW2-FDR,SPONGE+AL,-,T3,W35,L88°Δc°	1	
4-6	DA63-03454B	COVER-HEATER FRENCH	AW-PJT,PC(HF-1023IM),-,-,-,-,COOL-WHITE(SC-02740R,-	1	
4-7	DA63-03508A	GASKET-FRENCH	AW-PJT,SF-PVC,-,-,-,BLACK,-,-	1	
4-7	DA63-03508C	GASKET-FRENCH	AW-PJT,SILICON,-,W9.9,L41.1,WHITE,-,-	1	
4-7	DA63-03508B	GASKET-FRENCH	AW-PJT,SILICON,-,W9.9,L41.1,GRAY,-,-	1	
4-8	DA63-05158A	GASKET-FRENCH	NW2-FDR,SILICON,0.8,BLACK	1	
4-8	DA63-05158C	GASKET-FRENCH	NW2-FDR,SILICON,0.8,-,-,WHITE,-,-	1	
4-8	DA63-05158B	GASKET-FRENCH	NW2-FDR,SILICON,0.8,-,-,GRAY,-,-	1	
4-9	DA67-01650A	CAP-CASE FRENCH	AW-PJT,ABS,-,-,-,-	1	
4-10	DA67-01701A	CAP-CASE FRENCH MID	AW-PJT,ABS,-,-,-,-	1	
4-11	DA81-01345A	SPRING-ETC FRENCH	STS304,P11.4,-,-,-,-	1	
4-12	DA81-01346A	PIN-FRENCH SPRING	RD-PVC,WHITE,-,-,-,-	1	
4-13	DA67-02306A	CAP GUIDE FRENCH UPP	AW2 CD,POM,-,-,-,COOL WHITE,-	1	
4-14	6002-000630	SCREW-TAPPING	PH,+,-,2S,M3,L8,ZPC(WHT),SWRCH18A,-	1	

EXPLODED VIEW & PARTS LIST

5-5) Disassembly of Refrigerator Door Right



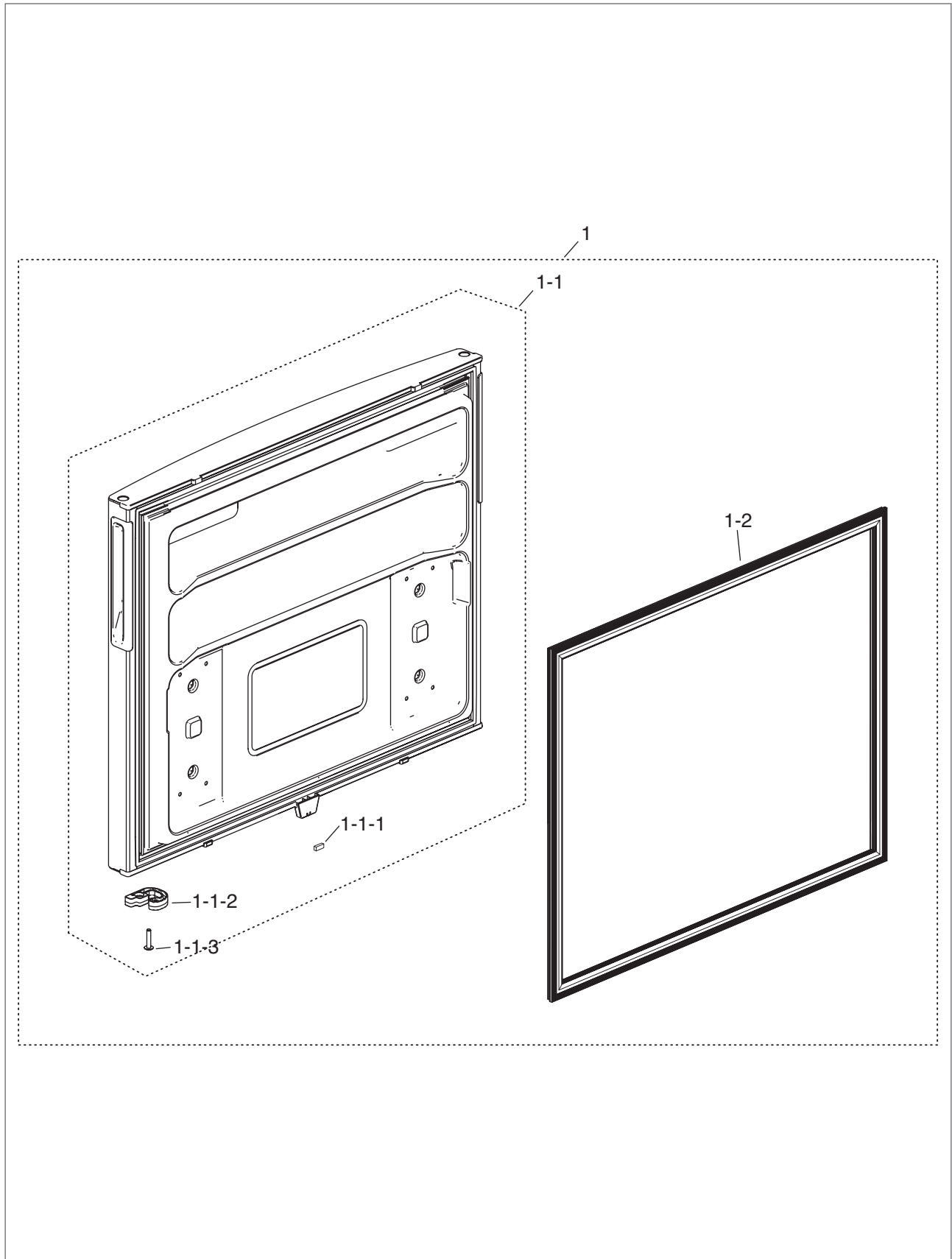
EXPLODED VIEW & PARTS LIST

■ Part List of Refrigerator Door-Right (RF62**, RF67**)

NO	CODE-NO	PART NAME	SPEC	QUAN TITY	REMARK
1	DA91-02888A	ASSY DOOR FOAM REF R	NW2-FDR,EMPIRE-BLACK	1	
1	DA91-02888B	ASSY DOOR FOAM REF R	NW2-FDR,SNOW WHITE	1	
1	DA91-02888C	ASSY DOOR FOAM REF R	NW2-FDR,PLATINUM INOX	1	
1	DA91-02888D	ASSY DOOR FOAM REF R	NW2-FDR,REAL STAINLESS	1	
1-1	DA61-03769A	MAGNET	HERMES,-,5x7x18,-,-,1200Gauss	1	
1-2	6001-001377	SCREW-MACHINE	TH,+,-,M5,L25,ZPC(WHT),SWRCH18A,FP,-	1	
1-3	6002-001120	SCREW-TAPPING	FH,+,-,1,M4,L18,ZPC(WHT),SWRCH18A	1	
1-4	6009-001475	SCREW-SPECIAL	FH,+,-,M5,L25(15.5),PASS,STS304,1,-	2	
1-5	DA61-02383A	SUPPORT-DOOR CLOSE	NEXT,POM,-,-,-,-	1	
1-5	DA61-02383C	SUPPORT-DOOR CLOSE	NEXT,POM,-,-,-,SNOW WHITE,-	1	
1-5	DA61-02383E	SUPPORT-DOOR CLOSE	AW-PJT,POM,-,-,-,CREAMY STS,-	1	
1-6	DA61-03212A	STOPPER-DOOR L	AW-PJT,SHP1,T2.9,-,-,-	1	
1-7	DA63-40294A	GROMMET-STOPPER	T3XW8XL8,NR,-,-,-,-,BLK	1	
2	DA97-08879A	ASSY HANDLE-BAR REF	NW2-FDR,MATURE BLACK	2	
2	DA97-08879B	ASSY HANDLE-BAR REF	NW2-FDR,SNOW WHITE	2	
2	DA97-08879C	ASSY HANDLE-BAR REF	NW2-FDR,REAL STAINLESS,HAIR LINE #4	2	
2-1	6002-001364	SCREW-TAPPING	FH,+,-,1,M4,L14,CR PLT,SWRCH18A,-	2	
2-2	DA01-00622A	FILM-HANDLE	NW2 FDR,PET,T0.125,TWO SIDE TAPE	1	
2-3	DA61-06253A	SUPPORT-HANDLE REF UPP	NW2_FDR,POM,NTR,GF 10%	1	
2-4	DA61-06254A	SUPPORT-HANDLE REF LOW	NW2_FDR,POM,NTR,GF 10%	1	
2-5	DA64-03342A	HANDLE-BAR REF	NW2-FDR,AL,MATURE BLACK	1	
2-5	DA64-03342B	HANDLE-BAR REF	NW2-FDR,AL,SNOW WHITE		
2-5	DA64-03342C	HANDLE-BAR REF	NW2-FDR,AL,REAL STAINLESS,HAIR LINE #4	1	
2-6	DA67-02673A	CAP-HANDLE REF	NW2_FDR,ABS,NTR,NI-CR Plating	2	
2-6	DA67-02673B	CAP-HANDLE REF	NW2_FDR,ABS,I-BLACK	2	
2-6	DA67-02673C	CAP-HANDLE REF	NW2_FDR,ABS,SNOW WHITE	2	
3	DA97-07668A	ASSY-GASKET DOOR REF	NW2-FDR,BLACK,-,-	1	
3	DA97-07668B	ASSY-GASKET DOOR REF	NW2-FDR,GRAY,-,-	1	
4	6002-000468	SCREW-TAPPING	PH,+,-,2S,M5.0,L18,ZPC(WHT),SWRCH18A,-	4	
5	DA61-04440A	FIXER HANDLE	GUGGENHEIM,POM,-,NTR,STS / 2 HANDLE	2	
6	DA64-01985A	MASCOT	SBS,AL,T1.6,-,L90,Fixing-type,Siver,forging	1	
7	DA97-07681A	ASSY GUARD-DAIRY	NW2-FDR,COOL WHITE	1	
7-1	DA63-05042A	GUARD-DAIRY	NW2-FDR,PP,295.9,COOL WHITE (SC-02740R)	1	
7-2	DA63-05050A	COVER-GUARD DAIRY	NW2-FDR,GPPS,226,-,-,NTR,-	1	
8	DA63-05035A	GUARD REF-MID	NW2-FDR,PP,W302.5,L116.7,COOL WHITE(SC-02740R)	1	
9	DA63-05036A	GUARD REF-LOW	NW2-FDR,PP,W304.6,L179.3,COOL WHITE(SC-02740R)	1	

EXPLODED VIEW & PARTS LIST

5-6) Disassembly of Freezer Door



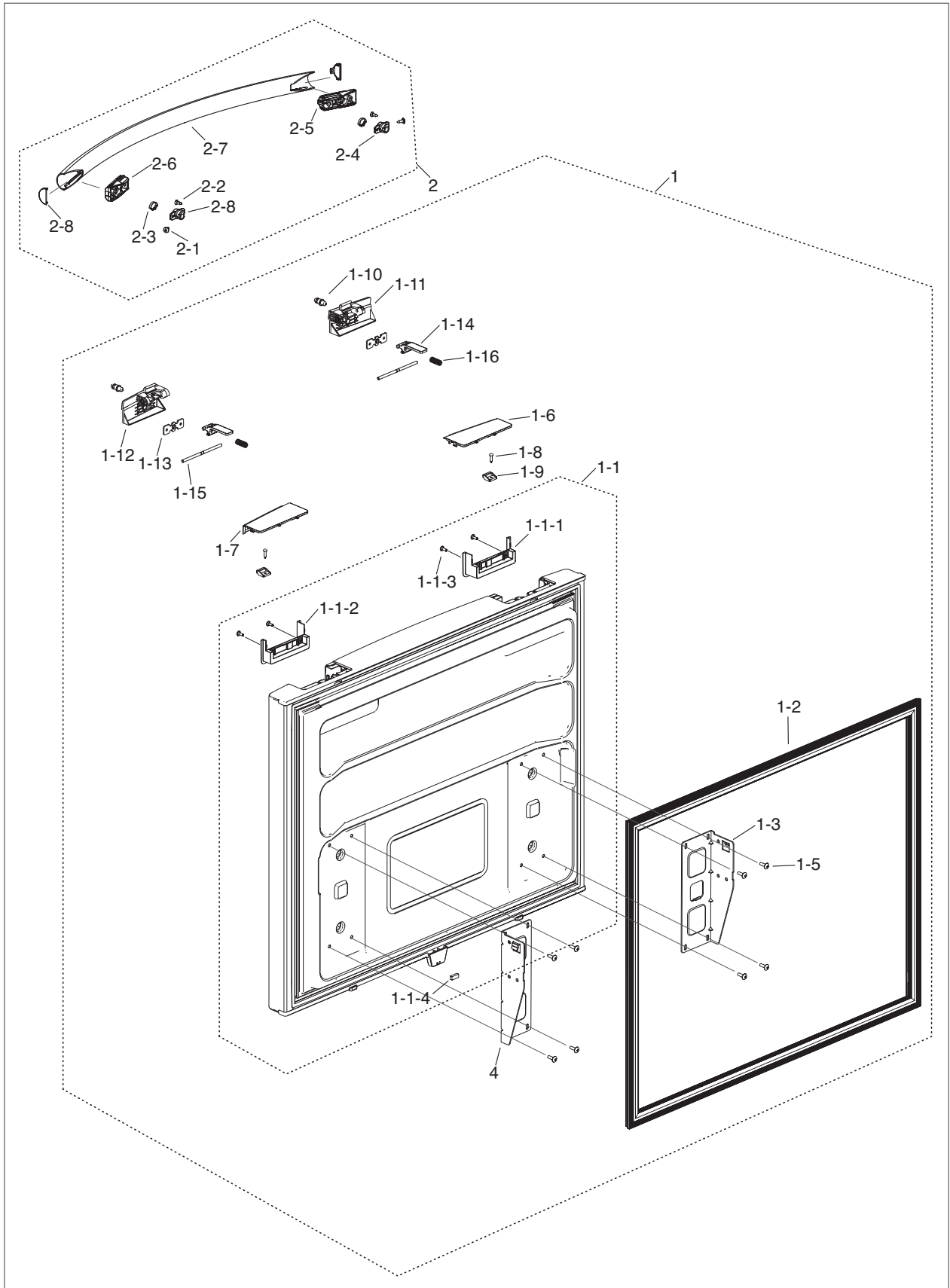
EXPLODED VIEW & PARTS LIST

■ Parts List of Freezer Door (RF62UB, RF67VB)

NO	CODE-NO	PART NAME	SPEC	QUAN TITY	REMARK
1	DA90-05618A	ASSY DOOR FRE(SWING)	SECC1,EMPIRE BLACK,SIDE HANDLE,SWING TYPE,CLEAR COATING-PCM	1	
1	DA90-05618B	ASSY DOOR FRE(SWING)	SECC1,SNOW WHITE,SIDE HANDLE,SWING TYPE,CLEAR COATING-PCM	1	
1	DA90-05618C	ASSY DOOR FRE(SWING)	SECC1,PLATINUM INOX,SIDE HANDLE,SWING TYPE,VCM	1	
1	DA90-05618E	ASSY DOOR FRE(SWING)	STS430,REAL STS,SIDE HANDLE,SWING TYPE,NO.4,Coating,NO.4,Coating,FDR	1	
1-1	DA91-02961A	ASSY DOOR FOAM FRE(SWING)	NW2-FDR,EMPIRE BLACK,PCM,SWING-TYPE	1	
1-1	DA91-02961B	ASSY DOOR FOAM FRE(SWING)	NW2-FDR,SNOW WHITE,PCM,SWING-TYPE	1	
1-1	DA91-02961C	ASSY DOOR FOAM FRE(SWING)	NW2-FDR,PLATINUM INOX,VCM,SWING-TYPE	1	
1-1	DA91-02961E	ASSY DOOR FOAM FRE(SWING)	NW2-FDR,REAL STS,STS430,SWING TYPE	1	
1-1-1	DA61-03769A	MAGNET	HERMES,-,5x7x18,-,1200Gauss	1	
1-1-2	DA61-02773D	STOPPER-DOOR	NW2,POM(TP-20),-,-,I-BLACK(SC-00477R),-	1	
1-1-2	DA61-02773A	STOPPER-DOOR	CORE,POM,-,-,NTR,-	1	
1-1-2	DA61-02773C	STOPPER-DOOR	NW2,POM(TP-20),-,-,CREAMY STS(SC-07009R),-	1	
1-1-3	6001-001377	SCREW-MACHINE	TH,+,-,M5,L25,ZPC(WHT),SWRCH18A,FP,-	1	
1-2	DA97-07722A	ASSY-GASKET DOOR FRE	NW2-FDR,BLACK,-,-	1	
1-2	DA97-07722B	ASSY-GASKET DOOR FRE	NW2-FDR,GRAY,-,-	1	

EXPLODED VIEW & PARTS LIST

5-6) Disassembly of Freezer Door



EXPLODED VIEW & PARTS LIST

■ Parts List of Freezer Door (RF62QE, RF62HE)

NO	CODE-NO	PART NAME	SPEC	QUAN TITY	REMARK
1	DA90-05229A	ASSY DOOR FRE	Q SECC1,EMPIRE-BLACK,AL BAR,DRAWER,CLEAR COATING-PCM,CLEAR COATING-PCM,CLEAR COATING-PCM	1	
1	DA90-05229B	ASSY DOOR FRE	R SECC1,SNOW-WHITE,AL BAR,DRAWER,CLEAR COATING-PCM,CLEAR COATING-PCM,CLEAR COATING-PCM	1	
1	DA90-05229C	ASSY DOOR FRE	S SECC1,PLATINUM-INOX,AL BAR,DRAWER,VCM,VCM,VCM	1	
1	DA90-05229D	ASSY DOOR FRE	T STS430,REAL-ST,AL BAR,DRAWER,NO.4,Coating,NO.4,Coating,NO.4,Coating	1	
1-1	DA91-02887A	ASSY DOOR FOAM FRE	NW2-FDR,EMPIRE BLACK,PCM,DRAWER-TYPE	1	
1-1	DA91-02887B	ASSY DOOR FOAM FRE	NW2-FDR,SNOW-WHITE,PCM,DRAWER-TYPE	1	
1-1	DA91-02887C	ASSY DOOR FOAM FRE	NW2-FDR,PLATINUM-INOX,VCM,DRAWER-TYPE	1	
1-1	DA91-02887E	ASSY DOOR FOAM FRE	NW2-FDR,REAL-ST,STS430,DRAWER-TYPE	1	
1-1-1	DA67-02332A	CAP DOOR FRE SUB L	NW2-FDR,ABS,i-BLACK,EASY-HANDLE	1	
1-1-1	DA67-02332B	CAP DOOR FRE SUB L	NW2-FDR,ABS,SNOW WHITE,EASY-HANDLE	1	
1-1-1	DA67-02332C	CAP DOOR FRE SUB L	NW2-FDR,ABS,CREAMY-ST,ESAY-HANDLE	1	
1-1-2	DA67-02331A	CAP DOOR FRE SUB R	NW2-FDR,ABS,i-BLACK,EASY-HANDLE	1	
1-1-2	DA67-02331B	CAP DOOR FRE SUB R	NW2-FDR,ABS,SNOW WHITE,EASY-HANDLE	1	
1-1-2	DA67-02331C	CAP DOOR FRE SUB R	NW2-FDR,ABS,CREAMY-ST,ESAY-HANDLE	1	
1-1-3	6002-001122	SCREW TAPPING	FH,+,-,1,M4,L14,ZPC(WHT),SWRCH18A	4	
1-1-4	DA61-03769A	MAGNET	HERMES,-,5x7x18,-,-,1200Gauss	1	
1-2	DA97-07722A	ASSY-GASKET DOOR FRE	NW2-FDR,BLACK,-,-	1	
1-2	DA97-07722B	ASSY-GASKET DOOR FRE	NW2-FDR,GRAY,-,-	1	
1-3	DA61-03153B	HANGER-RAIL FRONT L	AW-PJT,SECC1,T2.0,COOL-WHITE,-,-,RESTRIKING	1	
1-4	DA61-03155B	HANGER-RAIL FRONT R	AW-PJT,SECC1,T2.0,COOL-WHITE,-,-,RESTRIKING	1	
1-5	6002-000613	SCREW-TAPPING	TH,+,-,2,M5,L16,ZPC(WHT),SWRCH18A,-	8	
1-6	DA63-05034A	COVER-HANDLE FRE L	NW2-FDR,ABS,i-BLACK,EASY-HANDLE	1	
1-6	DA63-05034B	COVER-HANDLE FRE L	NW2-FDR,ABS,SNOW WHITE,EASY-HANDLE	1	
1-6	DA63-05034C	COVER-HANDLE FRE L	NW2-FDR,ABS,CREAMY-ST,ESAY-HANDLE	1	
1-7	DA63-05033A	COVER-HANDLE FRE R	NW2-FDR,ABS,i-BLACK,EASY-HANDLE	1	
1-7	DA63-05033B	COVER-HANDLE FRE R	NW2-FDR,ABS,SNOW WHITE,EASY-HANDLE	1	
1-7	DA63-05033C	COVER-HANDLE FRE R	NW2-FDR,ABS,CREAMY-ST,ESAY-HANDLE	1	
1-8	6002-000215	SCREW-TAPPING	TH,+,-,1,M4.0,L16,ZPC(WHT),SWRCH18A,-	2	
1-9	DA61-04471A	FIXER SHAFT-HANDLE	NW2,POM,-,NTR,-	2	
1-10	DA61-05327A	FIXER HANDLE	NW2-FDR,SWCH10A	2	
1-11	DA67-02638C	CAP HANDLE FRE SUB L	NW2 FDR,ABS+PC,MATURE BLACK(SC-03106T)	1	
1-11	DA67-02638B	CAP HANDLE FRE SUB L	NW2 FDR,ABS+PC,SNOW WHITE(SC-97527T)	1	
1-11	DA67-02638A	CAP HANDLE FRE SUB L	NW2,ABS+PC,CREAMY STS(SC-07009R)	1	
1-12	DA67-02344A	CAP HANDLE FRE SUB R	NW2-FDR,PC-ABS,-,100,i-BLACK(SC-00477R),-	1	
1-12	DA67-02344B	CAP HANDLE FRE SUB R	NW2-FDR,PC-ABS,T3.5,-,100.0,SNOW WHITE (SC-97527R),-	1	
1-12	DA67-02344C	CAP HANDLE FRE SUB R	NW2-FDR,PC-ABS,T3.5,-,100.0,CREAMY STS (SC-07009R),-	1	
1-13	DA61-05215A	REINF CAP HANDLE FRE	AW2-PJT,SGHC,T1.6,-,53,-,-	2	
1-14	DA61-04474B	SLIDER-HANDLE FRE	NW2,POM,-,-,i-BLACK,-	2	
1-14	DA61-04474C	SLIDER-HANDLE FRE	NW2,POM,-,-,SNOW WHITE,-	2	
1-14	DA61-04474A	SLIDER-HANDLE FRE	NW2,POM,-,-,CREAMY-ST,-	2	
1-15	DA66-00682A	SHAFT-CAP HANDLE	NW2-FDR,MSWR10,L105,OD5.0	2	
1-16	DA61-04335B	SPRING ETC-EASY HANDLE	08 AW1,2-PJT,HSWR,1.0,8,10,-,9,-,-,-,-	2	
2	DA97-08879A	ASSY HANDLE-BAR REF	NW2-FDR,MATURE BLACK	2	
2	DA97-08879B	ASSY HANDLE-BAR REF	NW2-FDR,SNOW WHITE	2	
2	DA97-08879C	ASSY HANDLE-BAR REF	NW2-FDR,REAL STAINLESS,HAIR LINE #4	2	
2-1	6002-001364	SCREW-TAPPING	FH,+,-,1,M4,L14,CR PLT,SWRCH18A,-	2	
2-2	DA01-00622A	FILM-HANDLE	NW2 FDR,PET,T0.125,TWO SIDE TAPE	1	
2-3	DA61-06253A	SUPPORT-HANDLE REF UPP	NW2_FDR,POM,NTR,GF 10%	1	
2-4	DA61-06254A	SUPPORT-HANDLE REF LOW	NW2_FDR,POM,NTR,GF 10%	1	
2-5	DA64-03342A	HANDLE-BAR REF	NW2-FDR,AL,MATURE BLACK	1	
2-5	DA64-03342B	HANDLE-BAR REF	NW2-FDR,AL,SNOW WHITE		

