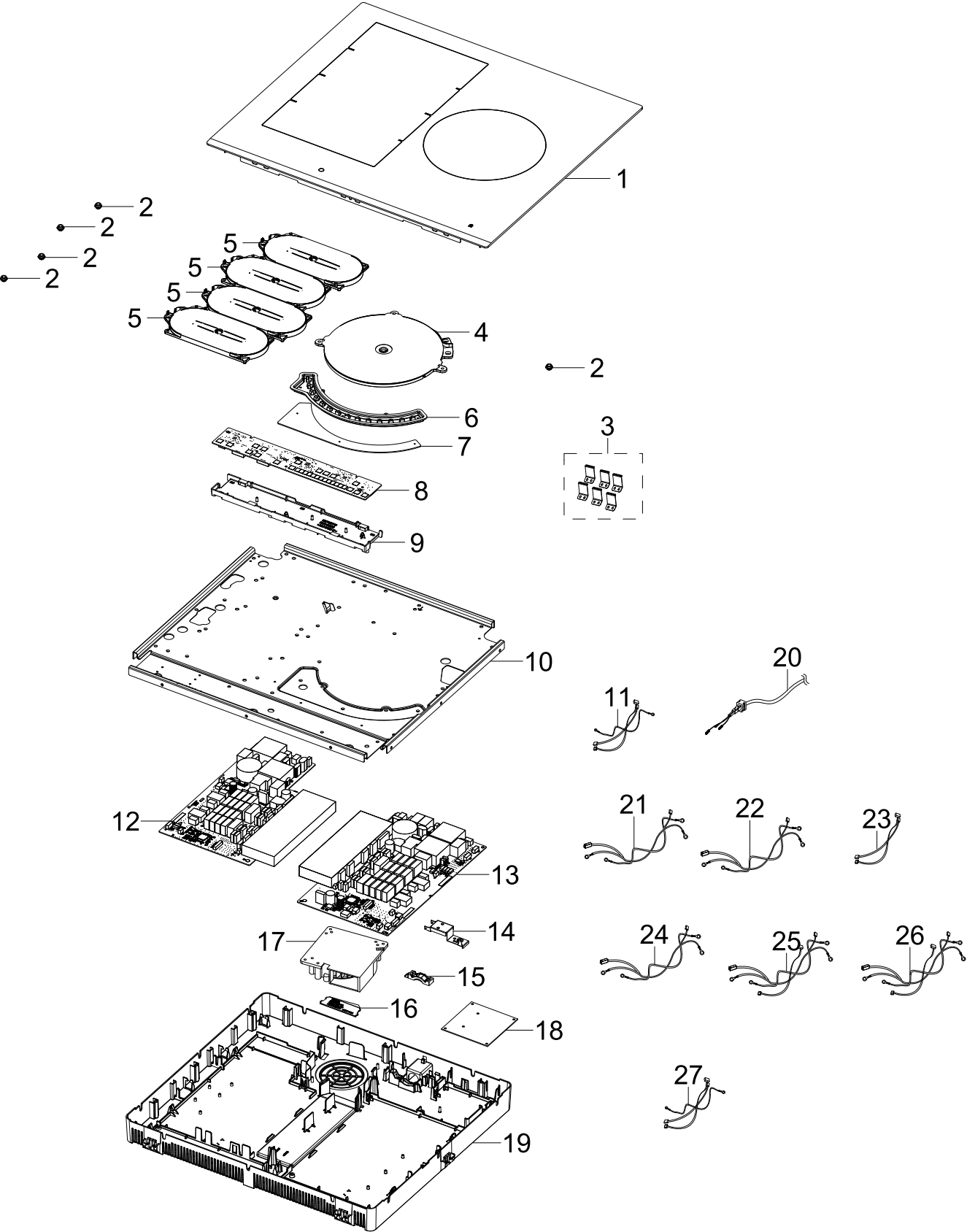


# 1. Main

## Exploded View



## Parts List

No.	Lvl.	Loc.	Material Code	Description & Specification	SNA	Qty.
1	2	H042	DG94-01353A	ASSY TOP PLATE; NZ63K7777BK,1 BEVELLED,VE	SA	1
2	2		DG32-00015A	SENSOR TEMP; PTM-312-S56,Ceramic Cap,170,	SA	5
3	2	M060	DG97-00010D	ASSY HARD WARE; NZ63K7777BK	SA	1
4	2		DG27-01017A	COIL WORKING; 57uH,210mm	SA	1
5	2		DG27-01021A	COIL WORKING; 105uH,190mm,FLEX	SA	4
6	2		DG67-00095B	LENS LED; NZ63K7777BK,PC,210,VIRTUAL FLAM	SA	1
7	2		DE92-03987A	ASSY MODULE; VF_LED PBA,NZ6000K-PJT,NZ600	SA	1
8	2		DE92-03986A	ASSY PCB DISPLAY; NZ6000K_CONTROL-00,NZ60	SA	1
9	2	C082	DG94-00974B	ASSY CONTROL; NZ63K7777BK,BLACK,PA66	SA	1
10	2	C238	DG94-01408A	ASSY BRACKET PANEL; NZ63K7777BK,AL5052,T1	SA	1
11	2		DG96-00467A	ASSY WIRE HARNESS-DC SIGNAL; NZ6000K_Main	SA	1
12	2		DG92-01024A	ASSY PCB INVERTER; Flexzone Plus,NZ6000K,	SA	1
13	2		DG92-01023A	ASSY PCB INVERTER; Right_3B,NZ6000K,328*1	SA	1
14	2		DG61-01041A	BRACKET EARTH; GI-SGCC,T0.8	SA	1
15	2		DG61-00729A	HOLDER-CABLE; NV6786BNESR,PA66,WHITE	SA	1
16	2		DG61-01039A	GUIDE AIR; PA66+GF15%,V0,KN3321G15V0BL,BL	SA	1
17	2		DG31-00011D	MOTOR BLDC FAN; 12032GA-12N,2650rpm,12V,0	SA	1
18	2		DA92-00530A	ASSY MODULE; STD #7 SMPS,FOOD SHOWCASE,32	SA	1
19	2		DG61-01040A	CASE BURNER; PA66+GF15%,BLACK,V0,KN3321G1	SA	1
20	2	M015	DG96-00061H	CBF-POWER CORD; AT,EUROPE,Gray,1500,H05VV	SA	1
21	2		DG96-00455A	ASSY WIRE HARNESS-DC SIGNAL; NZ63K7777BK,	SA	1
22	2		DG96-00457A	ASSY WIRE HARNESS-POWER; NZ6000K,12VDC,12	SA	1
23	2	W036	DG96-00458A	ASSY WIRE HARNESS-EARTH; NZ6000K,220VAC,2	SA	1
24	2		DG96-00459A	ASSY WIRE HARNESS-POWER; NZ63K7777BK,220V	SA	1
25	2		DG96-00460A	ASSY WIRE HARNESS-POWER; NZ63K7777BK_FF,	SA	1

No.	Lvl.	Loc.	Material Code	Description & Specification	SNA	Qty.
26	2		DG96-00461A	ASSY WIRE HARNESS-POWER; NZ63K7777BK_FR,	SA	1
27	2		DG96-00466A	ASSY WIRE HARNESS-DC SIGNAL; NZ6000K_Main	SA	1