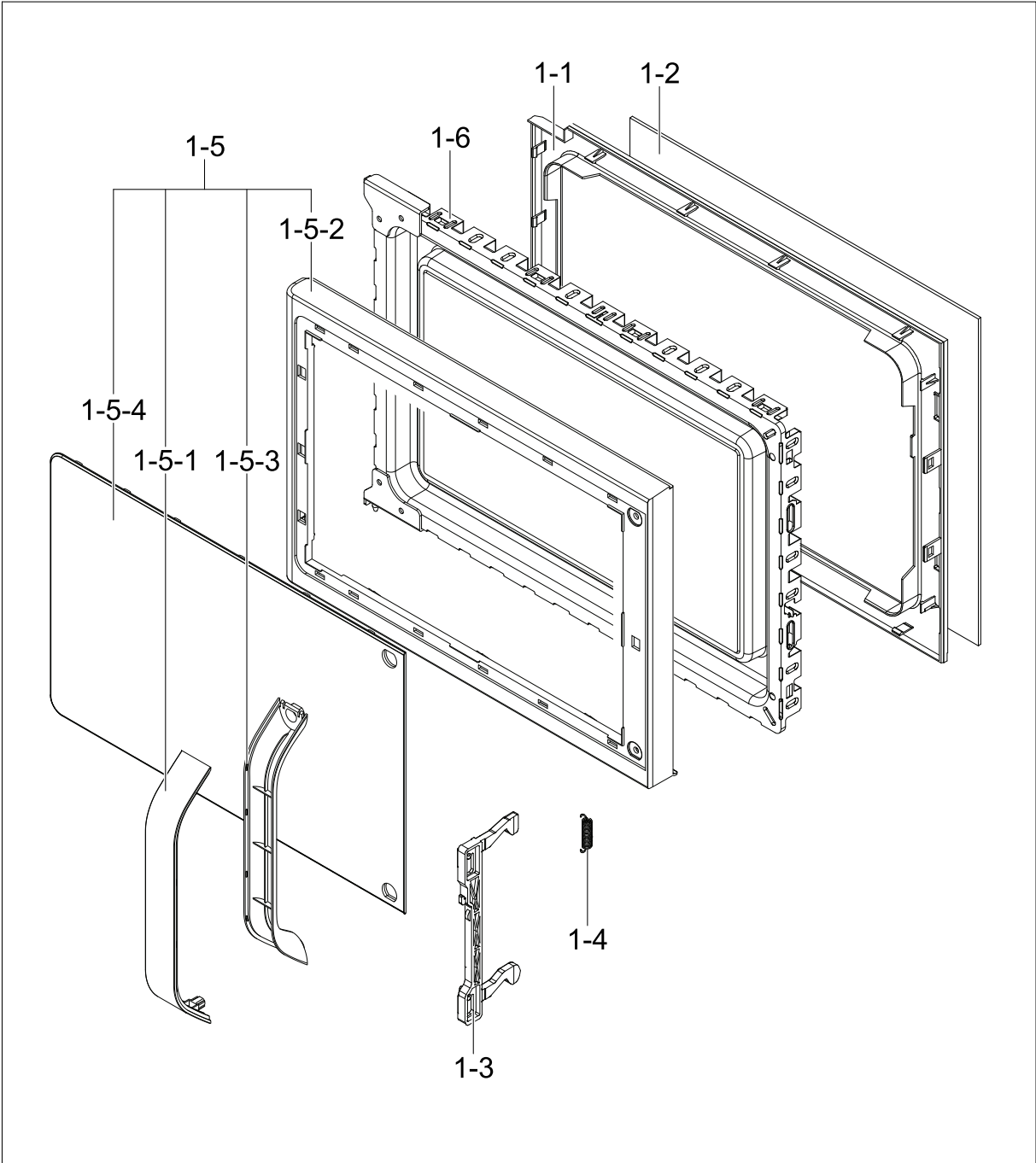


Parts List

No.	Lvl.	Loc.	Material Code	Description & Specification	SNA	Qty.
1	1	B022	DE94-02993A	ASSY BODY LATCH; CE283DNR/BWT,M1717N,NC20	SA	1
1-1	2	B010	DE66-00093A	LEVER-SWITCH(A); NC2000,PP,NTR,HANDLE	SA	1
1-2	2	B046	3405-001032	SWITCH-MICRO; 125/250VAC,16A,200GF,SPDT	SA	1
1-3	2	S0021	3405-000178	SWITCH-MICRO; 250V,16A,200gf,SPST-NO	SA	2
1-4	2	B070	DE72-00137B	LATCH-BODY; PG113R,NYLON,-,-,-,-	SA	1
1-5	2	B011	DE66-00094A	LEVER-SWITCH(B); NC2000,PP,NTR,HANDLE	SA	1
2	1	M001	DE64-01678D	PANEL-OUTER; 1.1CU.FT, GE-WHT3,EGI-SECC,T	SA	1
3	1	M015	DE96-00385D	ASSY POWER CORD; CEE,Straight,250V/6A,H05	SA	1
4	2	M017	DE96-00010D	ASSY NOISE FILTER; MW108L,SN-3WEJ,250V120	SA	1
4-1	3	M019	3601-001019	FUSE-CARTRIDGE; 250V,12A,SLOW-BLOW,CERAMI	SA	1
5	2	M020	DE96-00331A	ASSY MOTOR FAN; -,SMF-5THEA,230V/50Hz,240	SNA	1
5-1	3	H099	DE31-90057A	BLADE-FAN; 3RD-W,PP,-,T1.5,-,T1.5,-	SA	1
5-2	3	M023	DE31-10185A	MOTOR FAN; SMF-3RDEA1,-,-,-,-,230V50Hz,24	SA	1
6	3	M022	DE63-00210A	COVER-BLOWER; 5TH-1.0,PP,T1.5,-,-,-,-,-	SNA	1
7	2	M034	DE67-00182A	COUPLER; 5TH-1.0,PPS,-,-,-,-	SA	1
8	2	M035	OM75P(31)ESGN	ASSY-MGT; ASSY-MGT		1
9	2	M036	4713-001524	LAMP-INCANDESCENT; 230V,20W	SA	1
10	2	M037	DE63-00208B	COVER-AIR; 5TH-1.0,PP,FH44N	SA	1
11	2	M038	DE26-00152A	TRANS H.V; SHV-EPT10A,230V,50Hz,2390V/3.4	SA	1
12	2	M039	2501-001014	C-OIL; 1.05uF,2100V,BK,35X54X85,20mm	SA	1
13	2	M040	DE61-50106A	BRACKET-HVC; EGI-SECC,T0.8,W31,L125.8	SA	1
14	2	M045	DE96-00589A	ASSY BASE PLATE SUB; JES1136WL,-,T0.5,-	SNA	1
15	2	M049	DE31-10154D	MOTOR SYNCHRONOUS; SSM-16H,CMO,FREE,5/6 R	SA	1
16	2	M051	DE63-00209B	COVER-MGT; RE-C700T,PP,5th 1.0 CMO,T2.0,-	SA	1
17	2	M042	DE91-70061A	ASSY H.V.FUSE; -,THV060T-0800-H,5KV/0.80A	SA	1
19	2	M451	DE47-20032B	THERMOSTAT; NT-101,125/250V,855,755,1	SA	1
20	2	M527	DE59-00002A	DIODE-H.V; MWO ALL,2CL4512H,-,450mA 13KV,	SNA	1
21	2	T001	DE74-20015G	TRAY-COOKING; 3RD-1.0,GLASS,T6.0,PI316,-,	SA	1
22	2	T159	DE97-00222A	ASSY GUIDE ROLLER; NC-1.2CUFT,SPS(C832),0	SA	1
23	1	W002	DE39-00375A	WIRE HARNESS-A; MW102,230V/50Hz,-,-,-,-,-	SA	1
29	3	Z780	DE61-00533D	CAVITY-UPPER; CMO 1.0,SPP,T0.5,W360,M1977	SNA	1

2. ASSY DOOR

Exploded View

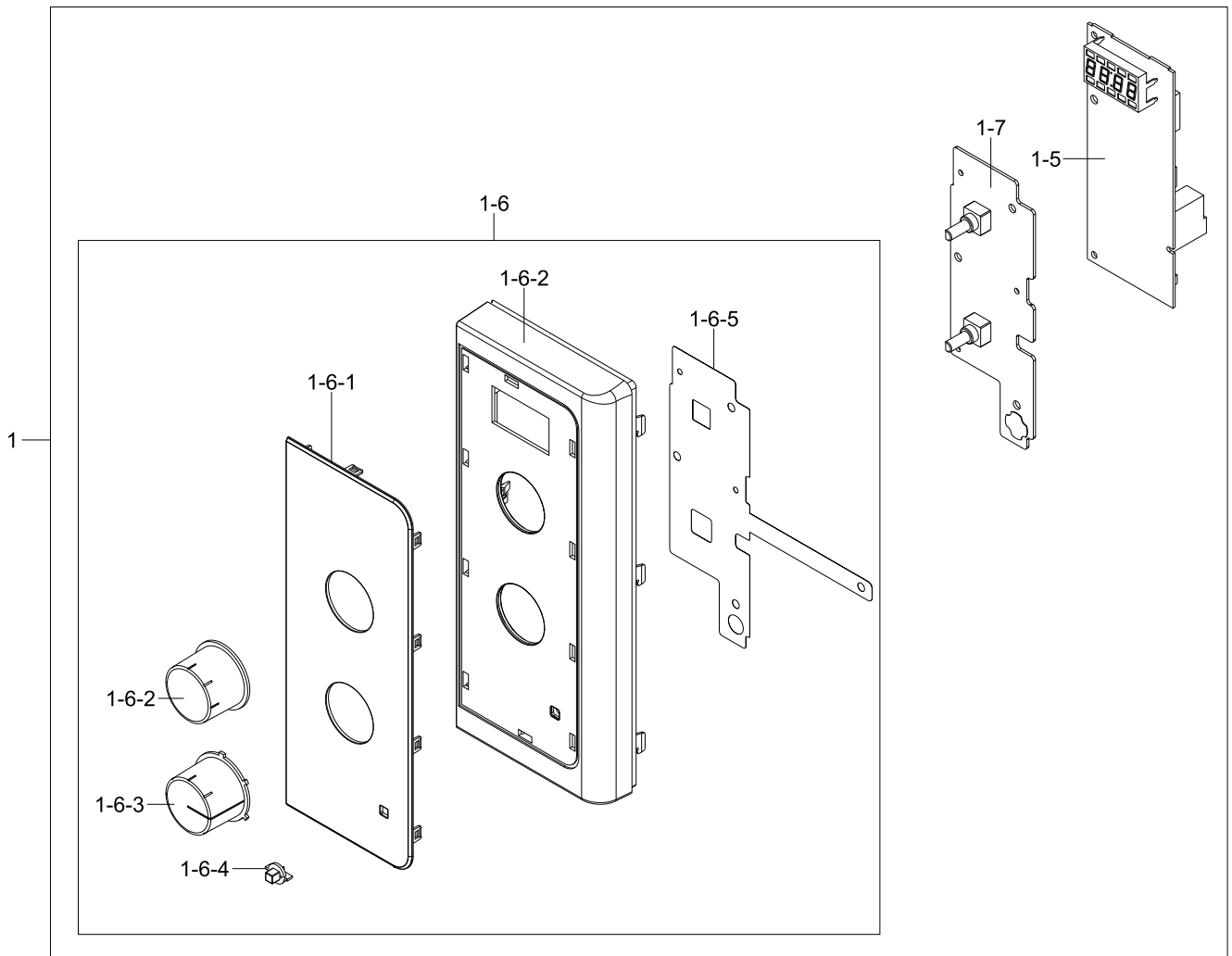


Parts List

No.	Lvl.	Loc.	Material Code	Description & Specification	SNA	Qty.
1	1	D049	DE94-03057D	ASSY DOOR; MS28F301EFW/EF,WHITE,1.0 MUSE3	SA	1
1-1	2	D006	DE64-02428A	DOOR-C; 1.0 Chic,PP,Black,Chic project	SA	1
1-2	2	D005	DE01-00118A	FILM-DOOR; MW5896W,PET,L185,T0.15,W304	SNA	1
1-3	2	D011	DE64-00264A	KEY-DOOR; 3RD-W NEW,POM,-,-,BLK,-,-	SA	1
1-4	2	D007	DE61-00198A	SPRING-KEY; M1877,HSWR-SWRH,PI0.7,D6,24 1	SNA	1
1-5	2	D037	DE94-03058A	ASSY DOOR A; MG28F301ECW/EF,WHITE,1.0 MUS	SA	1
1-5-1	3	D147	DE63-00768A	COVER HANDLE; 1.0 MUSE3,ABS,T2.3,HB,GE BL	SA	1
1-5-2	3	D002	DE64-02733B	DOOR-A; 1.0 MUSE3,ABS,T2.5,W409,L36.9,HB,	SNA	1
1-5-3	3	D019	DE64-02730A	HANDLE DOOR; 1.0 MUSE3,ABS,T2.3,W31.5,L24	SA	1
1-5-4	3	D003	DE64-02739A	SCREEN-DOOR; 1.0 MUSE3,SAN,T2.0,W395.7,H2	SNA	1
1-6	2	D004	DE94-00910P	ASSY DOOR E-COATING; JES1139BL,-,BLK,GE	SA	1

3. ASSY CONTROL BOX

Exploded View



Parts List

No.	Lvl.	Loc.	Material Code	Description & Specification	SNA	Qty.
1	1	C082	DE94-03059D	ASSY CONTROL BOX; MS28F301EFW/EF,230V 50H	SNA	1
1-5	2	F316	DE92-03487L	ASSY PCB MAIN; MS28F301EAW/EF,RCS-SMS3L-2	SA	1
1-6	2	C001	DE94-03060C	ASSY CONTROL PANEL; MS28F301EFW/EF,WHITE,	SNA	1
1-6-1	3		DE63-00771B	COVER PANEL; 1.0 MUSE3,SAN,T3.2,-,NATURAL	SNA	1
1-6-2	3		DE64-02710A	KNOB DIAL; 1.1 CELLO,ABS,HB,GE BLACK,META	SA	1
1-6-3	3		DE64-02734B	KNOB DIAL SELECT; MS23F301EFS/EF,ABS,GE B	SNA	1

Exploded Views and Parts List

No.	Lvl.	Loc.	Material Code	Description & Specification	SNA	Qty.
1-6-4	3	C035	DE64-02709A	BUTTON-CLOCK; MC32F604T,ABS,HB,GE BLACK	SA	1
1-6-5	3	C107	DE01-00285A	FILM BOARD; MUSE3,AL,T0.12,W58,L167,AL	SNA	1
1-7	3	C084	DE96-01020B	ASSY KEY MODULE; MG28F302EAW,DKM-MS23E-01	SA	1