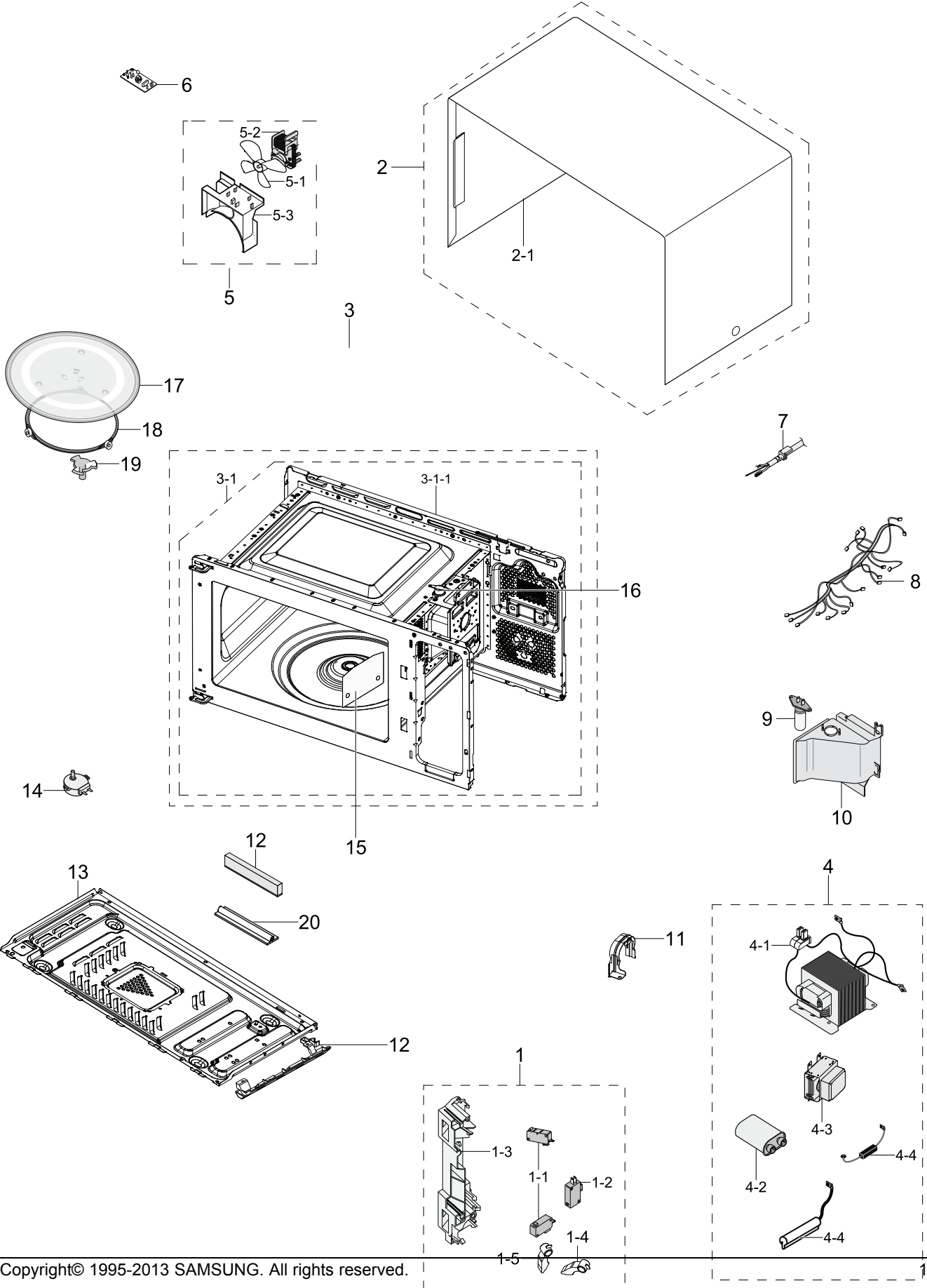


# 1. MAIN

## Exploded View



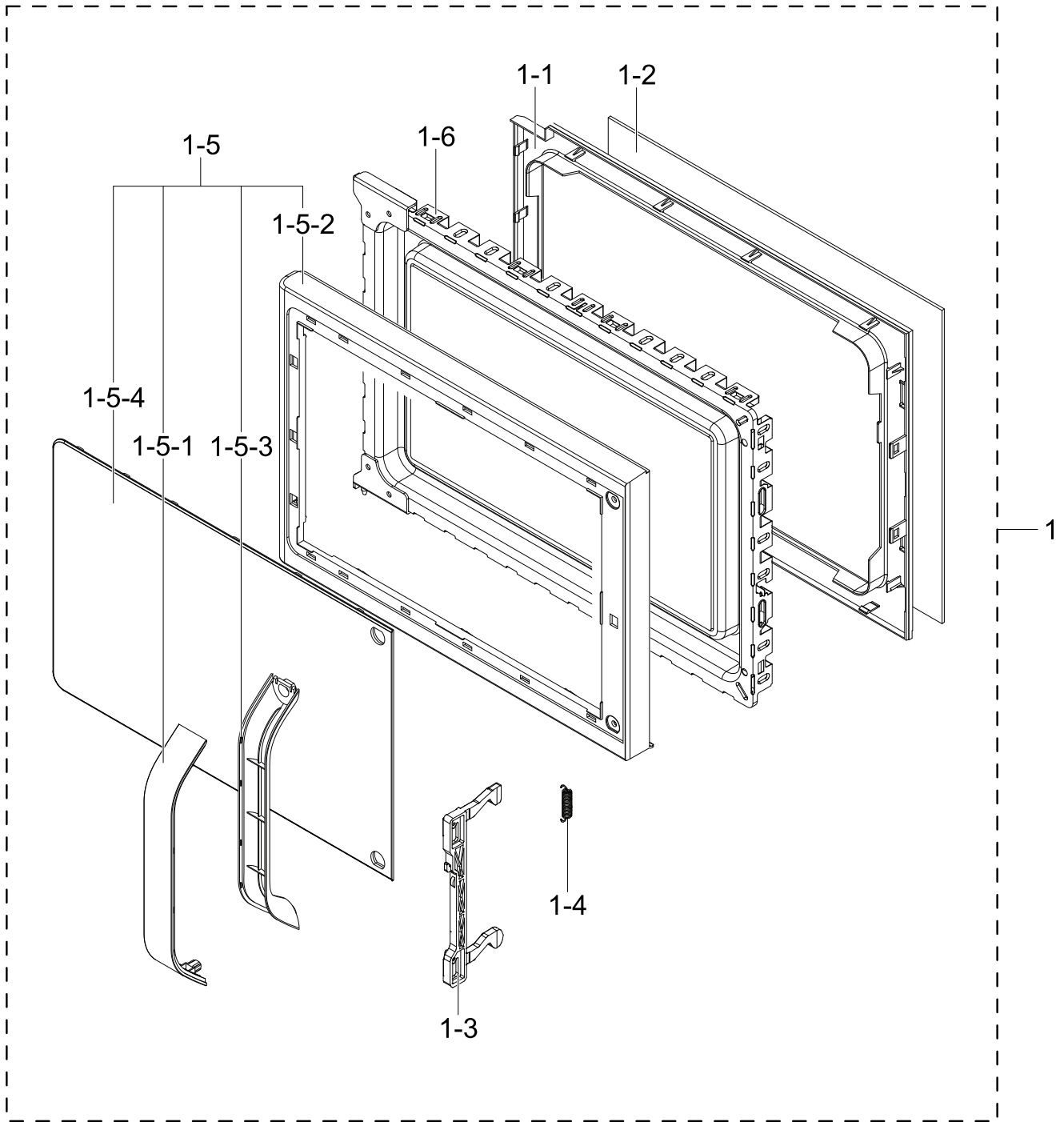
## Parts List

No.	Lvl.	Loc.	Material Code	Description & Specification	SNA	Qty.
1	1	B022	DE94-02317B	ASSY BODY LATCH; RE-C21VB,GERSUNG u-swotc	SA	1
1-1	2	S0021	3405-000178	SWITCH-MICRO; 250V,16A,200gf,SPST-NO	SA	2
1-2	2	B046	3405-001032	SWITCH-MICRO; 125/250VAC,16A,200GF,SPDT	SA	1
1-3	2	B077	DE66-00231A	LATCH-BODY(HANDLE); 0.8 CHIC,PP,WHITE	SA	1
1-4	2	B011	DE66-00094A	LEVER-SWITCH(B); NC2000,PP,NTR,HANDLE	SA	1
1-5	2	B010	DE66-00093A	LEVER-SWITCH(A); NC2000,PP,NTR,HANDLE	SA	1
2	1	M001	DE64-02356B	PANEL-OUTER; 0.7ECO PLATFORM,EGI-SECC,T0.	SA	1
2-1	2		DE64-02356A	PANEL-OUTER(PRESS); 0.7ECO PLATFORM,EGI-S	SNA	1
3	1	Y103	DE94-02882A	ASSY CAVITY COATING; AMW831K/XAP,0.8, CU.	SNA	1
3-1	2	Z778	DE94-02323A	ASSY CAVITY-WELDING; MS89F,0.8,EPOXY,CHIC	SNA	1
3-1-1	3	Z030	DE61-01273A	CAVITY-BACK; 0.8 cuft new eco,EGI-SECC,T0	SNA	1
4	1		DE96-00902A	ASSY-POWER PACK; MW731KR,SOFT1	SNA	1
4-1	2	M038	DE26-00160A	TRANS H.V; SHV-EPT06A,230V,50Hz,2280V/3.4	SA	1
4-2	2	M039	2501-001016	C-OIL; 950nF,2100V,BK,35x54x80mm,20mm	SA	1
4-3	2	M035	OM75S(31)ESGN	ASSY-MGT; ASSY-MGT		1
4-4	2	M042	DE96-00831A	ASSY H.V.FUSE; MW74,THV060T-0650-SC,5KV/0	SA	1
5	2	M020	DE96-00848F	ASSY MOTOR FAN; MS23F301EAS/EE,230V50HZ,2	SNA	1
5-1	3	H099	DE31-90057A	BLADE-FAN; 3RD-W,PP,-,T1.5,-,T1.5,-	SA	1
5-2	3	M023	DE31-10185A	MOTOR AC FAN; SMF-3RDEA1,2,230V,50Hz,20W,	SA	1
5-3	3		DE63-00788B	COVER BLOWER; ECO SOLO,PP,T1.2,HB,NATURAL	SA	1
6	2	M017	DE96-00822A	ASSY NOISE FILTER; MW73,SN-ESMA,250V 10A,	SA	1
7	1	M015	DE96-00385D	ASSY POWER CORD; VDE,Straight,EUROPE,250V	SA	1
8	1	W002	DE96-00934A	ASSY WIRE HARNESS-A; RE-C21AW,220V/60HZ,0	SA	1
9	2	M036	4713-001524	LAMP-INCANDESCENT; 230V,20W	SA	1
10	2	M037	DE63-00651A	COVER-AIR; 0.7ECO PLATFORM,GI-SGCC,T0.4	SA	1
11	2	M040	DE61-01263A	BRACKET-HVC; 0.7ECO PLATFORM,GI-SGCC,T0.6	SA	1
12	2		DE63-00787A	COVER BASE; ECO, NC2K, 1.0,PP,T1.5,HB,BLA	SA	1
13	2	M048	DE61-01262D	BASE PLATE; ECO,GI-SGCC,W486,L273,-,-,-,T	SNA	1

No.	Lvl.	Loc.	Material Code	Description & Specification	SNA	Qty.
14	2	M049	DE31-10154D	MOTOR AC DRIVE; SSM-16H,8,21V,50/60Hz,5/6	SA	1
15	2	M051	DE63-00642B	COVER-MGT; ECO,PP,TB53	SA	1
16	2	M440	DE47-20008A	THERMOSTAT; NT-101,125/250V,1005,6015	SA	1
17	2	T001	DE74-20102D	TRAY-COOKING; G643C-1(3RD-0.6),GLASS,T6,-	SA	1
18	2	F535	DE97-00193D	ASSY GUIDE ROLLER; RE-C21AW,PPS,PTEF,15.5	SA	1
19	2	M034	DE67-00272A	COUPLER; CE73JD,PPS,BROWN,GIANT	SA	1
20	2		DE66-00219A	WIRE-BAND; ALL CMO MODEL,PP,T0.9 W2.8 L14	SNA	1

# 1.1. ASSY DOOR

## Exploded View

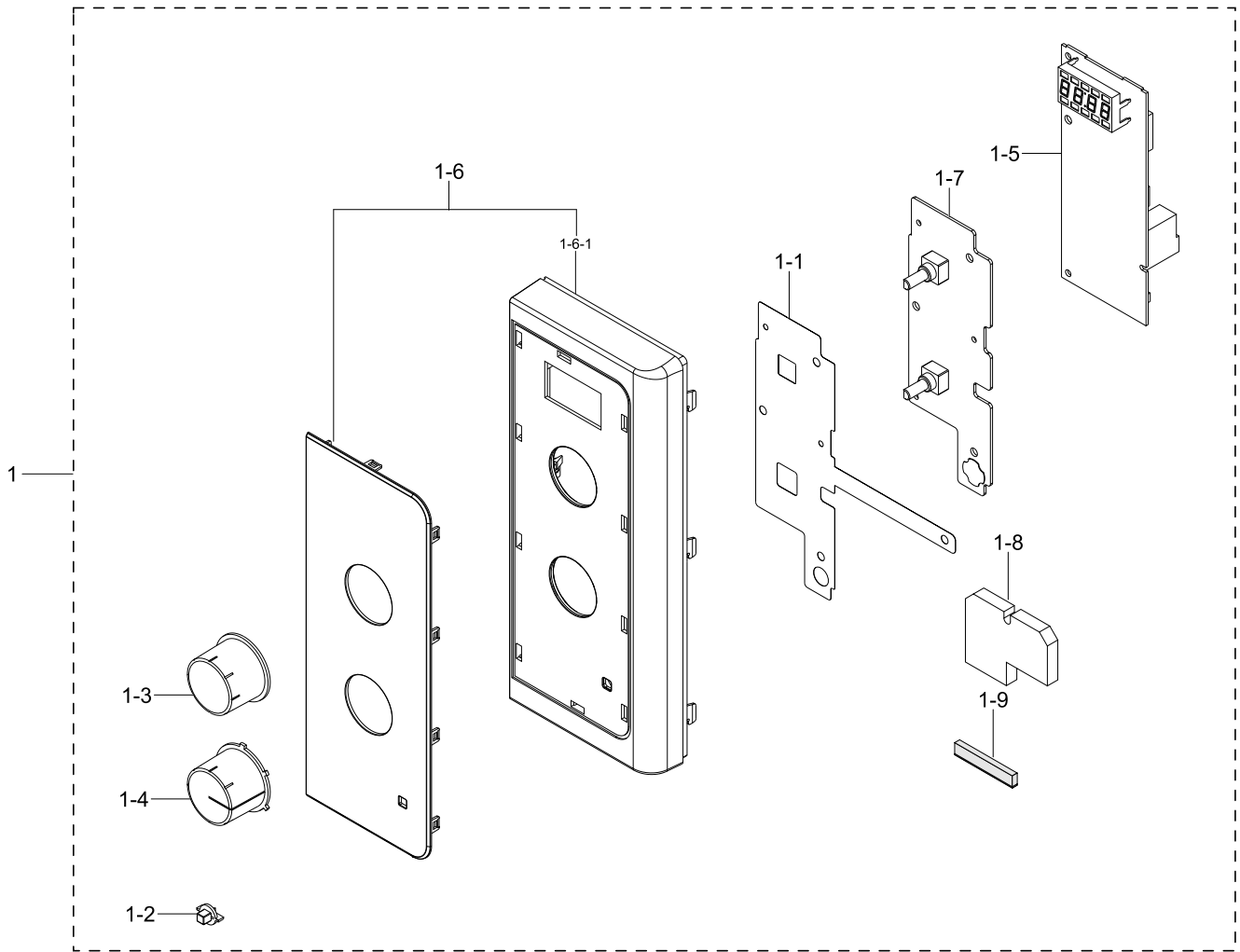


**Parts List**

No.	Lvl.	Loc.	Material Code	Description & Specification	SNA	Qty.
1	1	D049	DE94-03065F	ASSY DOOR; MS23F300EAW/EF,WHITE,MUSE3 0.8	SA	1
1-1	2	D006	DE64-02354A	DOOR-C; 0.7ECO PLATFORM,PP,-,HB,T332,BLAC	SNA	1
1-2	2	D005	DE64-00221B	FILM-DOOR; -, -,PET,T0.13,W264*L143,-, -,NC	SNA	1
1-3	2	D011	DE64-02430A	DOOR-KEY; 0.8 Chic,POM,BLACK,Chic project	SA	1
1-4	2	D007	DE61-00193A	SPRING-KEY; MW1255,HSWR-SWRH,PI0.6,D5.5,L	SNA	1
1-5	2	D037	DE94-03052C	ASSY DOOR A; MS23F300EAW/EF,WHITE,MUSE3,	SNA	1
1-5-1	3	D147	DE63-00766A	COVER HANDLE; 0.8 MUSE3,ABS,T2.3,-,GE BLA	SNA	1
1-5-2	3	D002	DE64-02728D	DOOR-A; 0.8 MUSE3,ABS,T2.0,W380,L26.5,HB,	SNA	1
1-5-3	3	D019	DE64-02729A	HANDLE DOOR; 0.8 MUSE3,ABS,T2.3,W30.3,L22	SNA	1
1-5-4	3	D003	DE64-02740B	SCREEN DOOR; 0.8 MUSE3 EPOXY,SAN,T2.3,W36	SNA	1
1-6	2	D004	DE94-02262C	ASSY DOOR E-COATING; MW73B/XEF,GA T0.5,BL	SA	1

## 1.2. ASSY CONTROL

### Exploded View



### Parts List

No.	Lvl.	Loc.	Material Code	Description & Specification	SNA	Qty.
1	1	C082	DE94-03066B	ASSY CONTROL BOX; MS23F301EAW/EF,230V/50H	SNA	1
1-1	2	C107	DE01-00285A	FILM BOARD; MUSE3,AL,T0.12,W58,L167,AL	SNA	1
1-2	2	C035	DE64-02709A	BUTTON-CLOCK; MC32F604T,ABS,HB,GE BLACK	SA	1
1-3	2		DE64-02710A	KNOB DIAL; 1.1 CELLO,ABS,HB,GE BLACK,META	SA	1
1-4	2		DE64-02734B	KNOB DIAL SELECT; MS23F301EFS/EF,ABS,GE B	SNA	1
1-5	2	F316	DE92-03487K	ASSY PCB MAIN; MS23F301EAW/EF,RCS-SMS3L-2	SA	1
1-6	2	C001	DE94-03053H	ASSY CONTROL PANEL; MS23F301EAW/EF,WHITE,	SA	1

No.	Lvl.	Loc.	Material Code	Description & Specification	SNA	Qty.
1-6-1	3	C005	DE64-02735C	CONTROL PANEL; 0.8 MUSE3,ABS,W106.3,L260.	SA	1
1-7	2	C084	DE96-01020A	ASSY KEY MODULE; MG23F302EAW,DKM-MS23E-00	SA	1
1-8	2	C058	DE63-00302A	CUSHION-PCB; M187DN,PU FOAM,T10,W102,L78,	SNA	1
1-9	2	M126	DE63-90064B	CUSHION; PU FOAM,T5X10X50	SNA	2