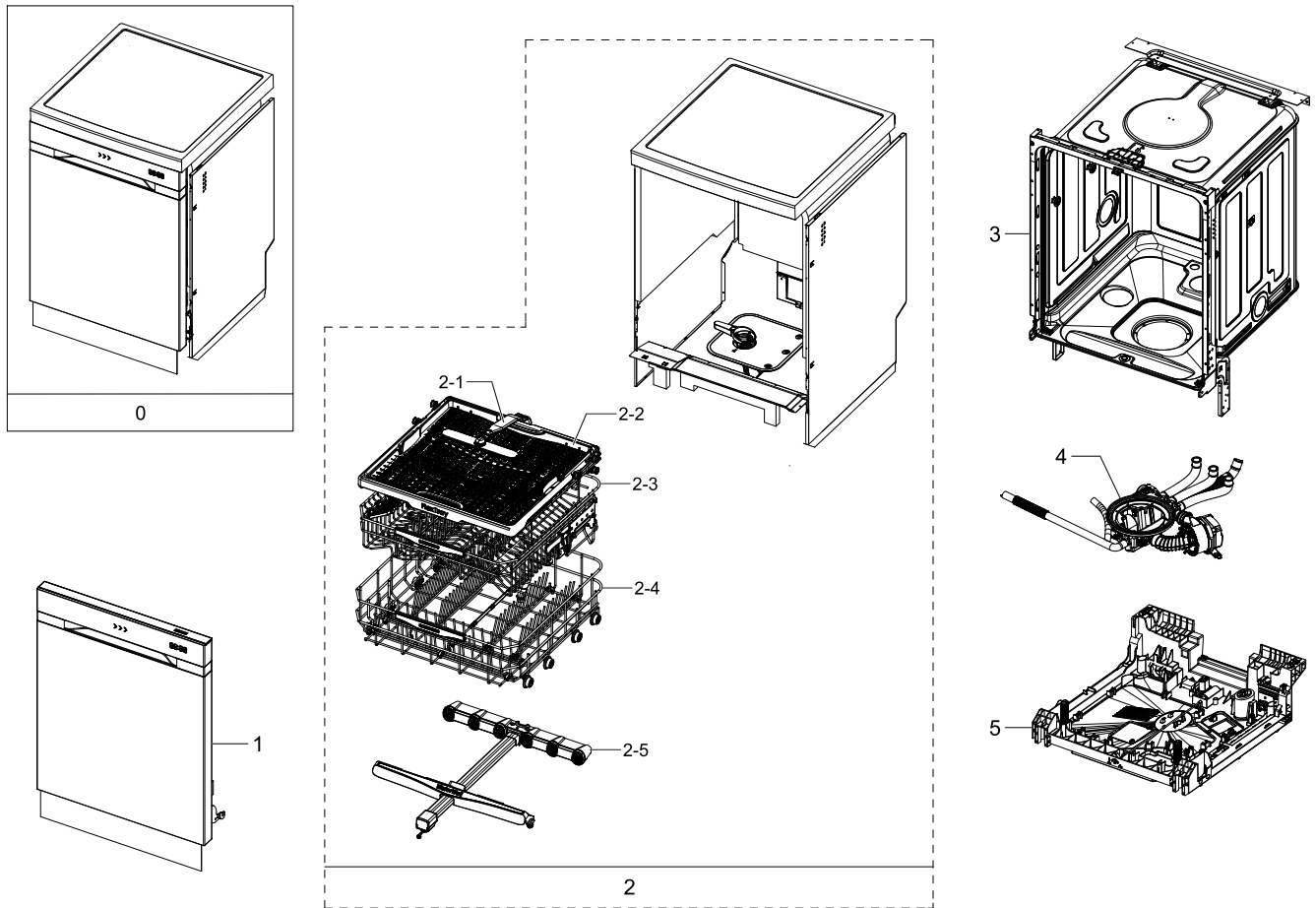


1. Main

Exploded View

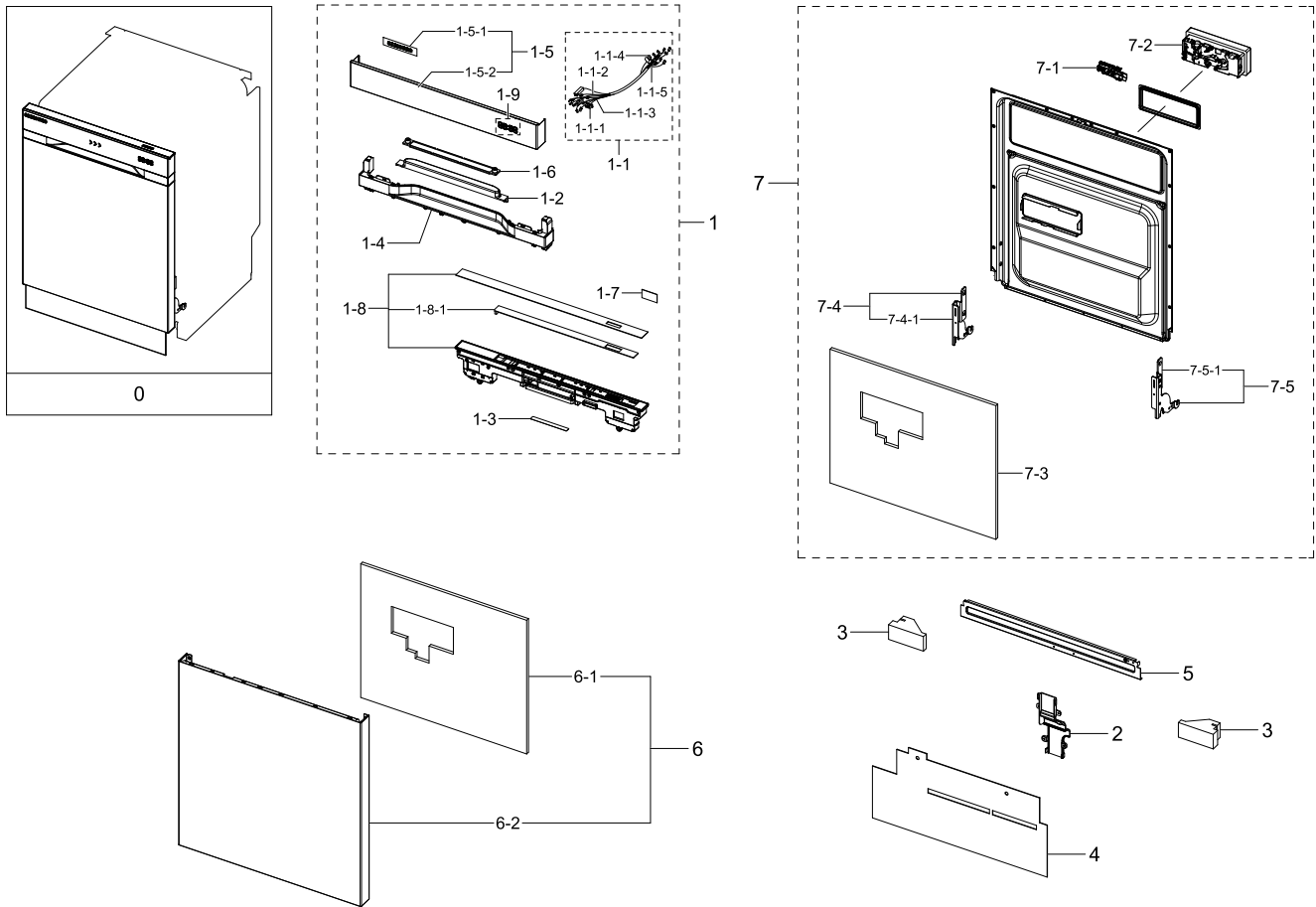


Parts List

No.	Lvl.	Loc.	Material Code	Description & Specification	SNA	Qty.
1	1	D049	DD97-00268A	ASSY DOOR; DW9000H,BU,FS,MICRO HOLE,STS20	SA	1
2	1		DD90-00515A	ASSY CASE; DW60H9570FS/EF	SNA	1
2-1	2		DD97-00277A	ASSY DUCT; DW9000H,COMMON	SA	1
2-2	2		DD97-00254A	ASSY BASKET 3RD; H900E	SA	1
2-3	2		DD97-00253A	ASSY BASKET MIDDLE; H900E	SA	1
2-4	2		DD97-00255A	ASSY BASKET LOWER; H900E	SA	1
2-5	2		DD97-00316A	ASSY MOTION; DW9000H,COMMON/NO CUSHION	SA	1
3	1		DD97-00264B	ASSY TUB; DW9000H,FS,EU,COMMOM	SNA	1
4	1		DD90-00526B	ASSY SUMP; DW9000H,EU,COMMON	SNA	1
5	1		DD90-00534B	ASSY BASE; DW9000H,FS,EF,COMMON	SNA	1

2. Assy Door

Exploded View



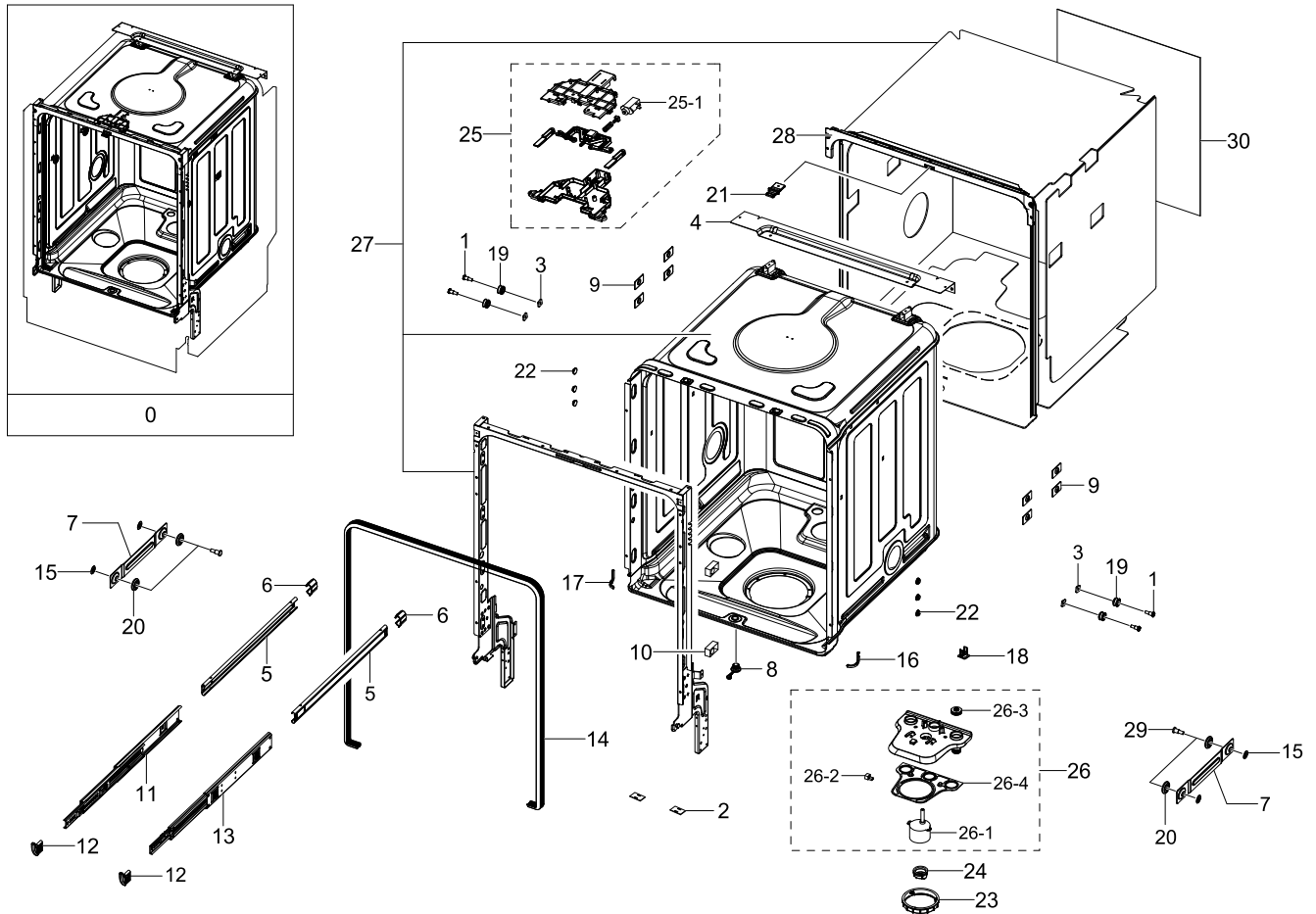
Parts List

No.	Lvl.	Loc.	Material Code	Description & Specification	SNA	Qty.
0	1	D049	DD97-00268A	ASSY DOOR; DW9000H,BU,FS,MICRO HOLE,STS20	SA	1
1	2		DD97-00275A	ASSY PANEL BOX; DW9000H,BUILT UNDER,MICRO	SNA	1
1-1	3	M033	DD39-00017A	WIRE HARNESS-SUB; 101,BLK, BRN, RED, ORG,	SA	1
1-1-1	4	M033	DD39-00020A	WIRE HARNESS-SUB; 8,WHT,5V,1245 / 995,24,	SA	1
1-1-2	4	M033	DD39-00021A	WIRE HARNESS-SUB; 10,WHT,SMH200-10H,5V,10	SA	1
1-1-3	4	M033	DD39-00022A	WIRE HARNESS-SUB; 6,ORG, WHT,SMH200-06H,S	SA	1
1-1-4	4	M033	DD39-00023A	WIRE HARNESS-SUB; 8,ORG, WHT,SHM200-05H,S	SA	1
1-1-5	4	M033	DD39-00024A	WIRE HARNESS-SUB; 9,ORG, WHT,SMH-05H,SMH-	SA	1

No.	Lvl.	Loc.	Material Code	Description & Specification	SNA	Qty.
1-2	3	D147	DD63-00251A	COVER HANDLE; DW9900H,ABS,-,-,INOX GRAY,H	SNA	1
1-3	3		DD63-00261A	PROTECTOR; DW9900H,PET,T0.2,-	SA	1
1-4	3	D019	DD64-00158A	HANDLE DOOR; H900E,ABS,-,HG-0760GP,HB,INO	SNA	1
1-5	3		DD97-00287A	ASSY COVER FRONT; DW9000H_EU,PREMIUM	SNA	1
1-5-1	4		DA64-04019B	MASCOT; ALL,NI,-,T0.06,L65	SA	1
1-5-2	4		DD64-00160A	DOOR FRONT; H900E,STAINLESS-STSS201,T0.6,-	SA	1
1-6	3	C009	DD64-00153A	WINDOW DISPLAY; DW9900H,PC,-,-,3022IR,-,5g	SA	1
1-7	3		DD92-00043B	ASSY MODULE; DW80H9970US,DW9900HA Top che	SA	1
1-8	3		DD97-00282A	ASSY PANEL CONTROL; DW9000H,BU,MICRO HOLE	SA	1
1-8-1	4		DD92-00042A	ASSY MODULE; DW80H9950US,DW9900HA,Touch_B	SA	1
1-9	3	Y040	DD07-00017A	LED DISPLAY; 8S,4D,IBL	SA	1
2	2		DD63-00151A	COVER-WIRE HARNESS DOOR; GALA-E,PP,BJ500,	SNA	1
3	2		DD63-00221A	CUSHION DUCT-LEFT; DW9900H,PUR FOAM,50,-,	SA	2
4	2		DD67-00094B	RUBBER SKIRT; GALA-E,EPDM,-,BLACK,DENSITY	SA	1
5	2		DD61-00510A	BRACKET DOOR INNER; H900E,GI-SGCC,T0.5,-	SNA	1
6	2		DD97-00307A	ASSY DOOR-OUTER; DW9000H_FS/PREMIUM,STSS,	SA	1
6-1	3		DD63-00167A	FELT-DOOR; GALA-E,COTTON,T20,GR	SA	1
6-2	3		DD64-00159A	DOOR OUTER; DW9000,STAINLESS-STSS201,T0.6,	SA	1
7	2		DD97-00284A	ASSY DOOR INNER; DW9000H,COMMON	SNA	1
7-1	3		DD34-00007A	SWITCH DOOR; DC12V,0.01	SA	1
7-2	3		DD59-01002A	DISPENSER-SLIDE; GALA-E,AC 110/240V,50/60	SA	1
7-3	3		DD63-00167A	FELT-DOOR; GALA-E,COTTON,T20,GR	SA	1
7-4	3		DD97-00251A	ASSY HINGE-LEFT; DW9900H,COMMON	SA	1
7-4-1	4	A079	DD61-00463A	HINGE-LEFT; DW9900H,PO-SPHC,T3.0,-,Tappin	SA	1
7-5	3		DD97-00252A	ASSY HINGE-RIGHT; DW9900H,COMMON	SA	1
7-5-1	4	A078	DD61-00464A	HINGE-RIGHT; DW9900H,PO-SPHC,T3.0,-,Tappi	SA	1

3. Assy Tub

Exploded View



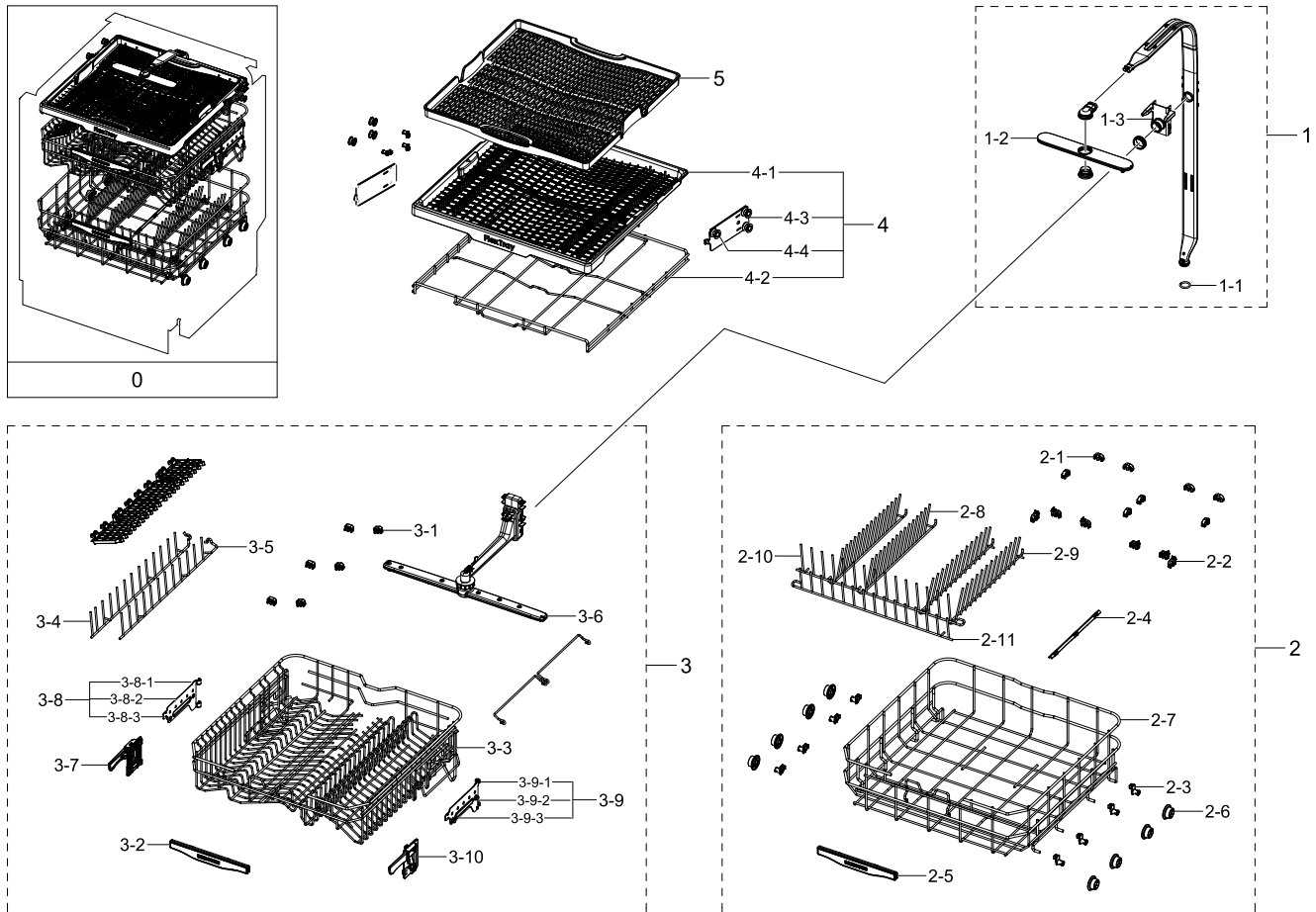
Parts List

No.	Lvl.	Loc.	Material Code	Description & Specification	SNA	Qty.
0	1		DD97-00264B	ASSY TUB; DW9000H,FS,EU,COMMOM	SNA	1
1	2	F093	6011-001641	BOLT-HEX; M6,L24(11),ZPC(WHT),SWRCH18A,-	SA	4
2	2		DD47-00006A	ASSY LAMP LED; 2ea,FR-4,37*19.6,BLUE,2504	SA	1
3	2	F094	DD61-00185A	HOLDER BOLT; GALA-E,MSWR-SWRM,M6 3.0T	SA	4
4	2	M191	DD61-00318A	BRACKET-TOP PLATE; GALA-E,COMMON,GI-SGCC,	SA	1
5	2		DD61-00325A	BRACKET 3RD-RAIL; GALA-E,PREMIUM,BEST,STA	SA	2
6	2		DD61-00354A	HOLDER RAIL 3RD; GALA-E,PREMIUM,BEST,POM,	SA	2
7	2		DD61-00387A	BRACKET-TUB 3RD; GALA-E,PREMIUM,BEST,STAI	SA	2
8	2		DD61-00453A	FIXER RUBBER; DW9900H,EPDM,BLACK	SA	1

No.	Lvl.	Loc.	Material Code	Description & Specification	SNA	Qty.
9	2		DD61-00455A	BRACKET RAIL; DW9900H,GI-SGCC,T1.0,-,-	SA	4
10	2		DD61-00512A	GUIDE SCREW; PP,-,-,RM60,BLACK,PP-COPO	SA	4
11	2		DD61-00525A	BRACKET RAIL-LEFT; H900E,STS304,T1.5,-	SA	1
12	2		DD61-00526A	HOLDER RAIL 3RD; H900E,POM,-,LIGHT WARM G	SA	2
13	2		DD61-00529A	BRACKET RAIL-RIGHT; H900E,STS304,T1.5,-	SA	1
14	2		DD62-00097C	SEAL TUB PACKING; GALA-E,TPV,-,-,Santopre	SNA	1
15	2		DD62-00099A	SEAL-3RD RACK; GALA-E,EPDM	SA	4
16	2		DD63-00225A	COVER TUB EDGE-RIGHT; DW9900H,PP,-,-,BLAC	SA	1
17	2		DD63-00238A	COVER TUB EDGE-LEFT; DW9900H,PP,-,-,BLACK	SA	1
18	2		DD63-00269A	COVER LED LAMP; PC,-,-,-,3022IR	SA	2
19	2		DD66-00020A	ROLLER HINGE; GALA-E,POM,F20-03,NCGO55,GR	SA	4
20	2		DD66-00078A	ROLLER-3RD TUB; GALA-E,PP,PP+T30,TB53-G64	SNA	4
21	2		DD66-00133A	LEVER DOOR; DW9900H,ALDC,-,-,-	SA	1
22	2		DD67-00074A	CAP DOOR GUIDE; GALA-E,POM,F20-03,NCGO55,	SA	6
23	2		DD67-00103A	CAP-DOWN; DW9900H,PP,-,-,-,LIGHT WARM GRA	SA	3
24	2		DD67-00106A	CAP-MIDDLE; DW9900H,PP,-,-,-,LIGHT WARM G	SA	1
25	2		DD97-00256A	ASSY COVER DOOR SWITCH; DW9000H	SA	1
25-1	3	F164	DD66-00089A	ACTUATOR THERMAL; GALA-E,POM,PUSH TYPE,AC	SA	1
26	2		DD97-00281A	ASSY COVER NOZZLE; DW9000H,COMMON	SA	1
26-1	3		DD31-00013C	MOTOR GEARED; SRM-36HR,25/30 RPM,3.5/4kgf	SA	1
26-2	3		DD32-00011A	SENSOR-VANE; DW80H9000,5VDC,HALL IC type	SA	1
26-3	3	F178	DD62-00053A	SEAL-OIL; DMR78,NBR,BLK,R-PJT	SA	1
26-4	3		DD62-00128A	SEAL CAP GUIDE; DW9900H,EPDM,BLACK,-	SA	1
27	2		DD97-00286A	ASSY TUB SUB; DW9000H_EU,COMMON	SNA	1
28	2	P426	DD63-00215B	COVER FRONT; STS304,T0.4,-,-	SNA	1
29	2		DD66-00096A	SHAFT-BASKET TUB 3RD; GALA-E,STAINLESS-ST	SNA	4
30	2		DD01-01003A	FILM-PAPER BACK; GALA-E,PAPER,T0.015,W450	SNA	1

4. Assy Case Assy Basket&Duct

Exploded View



Parts List

No.	Lvl.	Loc.	Material Code	Description & Specification	SNA	Qty.
1	2		DD97-00277A	ASSY DUCT; DW9000H,COMMON	SA	1
1-1	3		DD62-00129A	SEAL RING; DW9900H,EPDM,BLACK,-	SA	1
1-2	3	F444	DD94-01082A	ASSY ROTOR UPPER; GALA-E,COMMON	SA	1
1-3	3		DD61-00432A	HOLDER DUCT-MIDDLE; DW9900H,POM,-,LIGHT W	SA	1
2	2		DD97-00255A	ASSY BASKET LOWER; H900E	SA	1
2-1	3		DD61-00348A	HOLDER-TINE BACK; GALA-E,POM,F20-03,NCGO5	SA	8
2-2	3		DD61-00349A	HOLDER-TINE FRONT; GALA-E,POM,F20-03,NCGO	SA	6
2-3	3	F153	DD61-00351A	HOLDER ROLLER; GALA-E,POM,F20-03,NCGO55,G	SA	8
2-4	3		DD61-00513A	HOLDER TINE-SAUCE; DW9000H,POM,-,VITALIT	SA	1

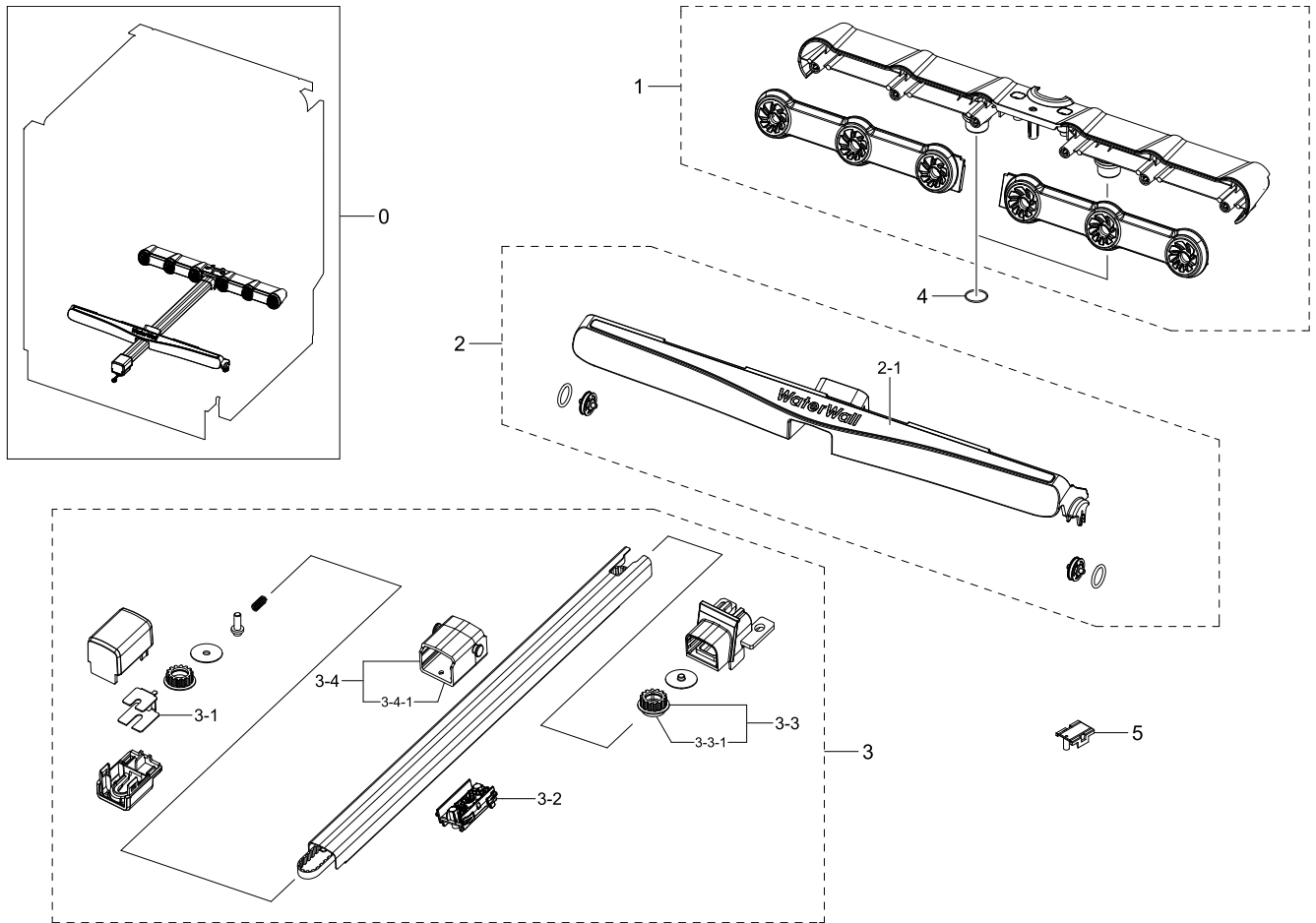
No.	Lvl.	Loc.	Material Code	Description & Specification	SNA	Qty.
2-5	3		DD64-00144A	HANDLE BASKET; DW9900H,PP,-,MT43,-,DARK N	SA	1
2-6	3		DD66-00076A	ROLLER-BASKET LOWER; GALA-E,PP,LIGHT WARM	SA	8
2-7	3		DD66-00153A	BASKET LOWER; DW9000H,MSWR-SWRM,T5.5,NYLO	SA	1
2-8	3		DD66-00154A	WIRE FOLDING-REAR LEFT; DW9000H,MSWR-SWRM	SA	2
2-9	3		DD66-00155A	WIRE FOLDING-REAR RIGHT; DW9000H,MSWR-SWR	SA	2
2-10	3		DD66-00156A	WIRE FOLDING-FRONT LEFT; DW9000H,MSWR-SWR	SA	1
2-11	3		DD66-00157A	WIRE FOLDING-FRONT RIGHT; DW9000H,MSWR-SW	SA	1
3	2		DD97-00253A	ASSY BASKET MIDDLE; H900E	SA	1
3-1	3		DD61-00473A	HOLDER TINE-UP; DW9900,POM,-,LIGHT WARM G	SA	6
3-2	3		DD64-00144A	HANDLE BASKET; DW9900H,PP,-,MT43,-,DARK N	SA	1
3-3	3		DD66-00152A	BASKET MIDDLE; DW9000H,MSWR-SWRM,T5,NYLON	SNA	1
3-4	3		DD66-00158A	WIRE FOLDING-MIDDLE LEFT; DW9000H,MSWR-SW	SA	1
3-5	3		DD66-00159A	WIRE FOLDING-MIDDLE RIGHT; DW9000H,MSWR-S	SA	1
3-6	3		DD94-01116A	ASSY ROTOR MID; GALA-E,COMMON	SA	1
3-7	3		DD97-00189A	ASSY BASKET ADJUSTER-LEFT; DW9900H,COMMON	SA	1
3-8	3		DD97-00190A	ASSY BASKET ADJUSTER-LEFT; DW9900H,COMMON	SA	1
3-8-1	4		DD61-00474A	SUPT BRACKET; DW9900H,POM,-,-,F20-03,LIGH	SA	2
3-8-2	4		DD61-00499A	BRACKET BASKET MIDDLE-LEFT; DW9900H,STAIN	SA	1
3-8-3	4		DD66-00146A	SHAFT BASKET; DW9900H,STAINLESS-ST304,-,	SA	2
3-9	3		DD97-00192A	ASSY BASKET ADJUSTER-RIGHT; DW9900H,COMMO	SA	1
3-9-1	4		DD61-00474A	SUPT BRACKET; DW9900H,POM,-,-,F20-03,LIGH	SA	2
3-9-2	4		DD61-00500A	BRACKET BASKET MIDDLE-RIGHT; DW9900H,STAI	SA	1
3-9-3	4		DD66-00146A	SHAFT BASKET; DW9900H,STAINLESS-ST304,-,	SA	2
3-10	3		DD97-00191A	ASSY BASKET ADJUSTER-RIGHT; DW9900H,COMMO	SA	1

Exploded Views and Parts List

No.	Lvl.	Loc.	Material Code	Description & Specification	SNA	Qty.
4	2		DD97-00254A	ASSY BASKET 3RD; H900E	SA	1
4-1	3		DD61-00523A	BASKET 3RD; H900E,PA6-,LIGHT WARM GRAY,H	SA	1
4-2	3		DD66-00088A	WIRE FRAME 3RD; GALA-E,MSWR,NYLON11	SA	1
4-3	3		DD97-00272A	ASSY BASKET LOWER; DW9000H	SA	1
4-4	3		DD97-00273A	ASSY BASKET 3RD; DW9000H	SA	1
5	2		DD61-00522A	BASKET 3RD-UP; TPE,T2.0,-,-,XR-1045,TPE-R	SA	1

5. Assy Case Assy Motion

Exploded View



Parts List

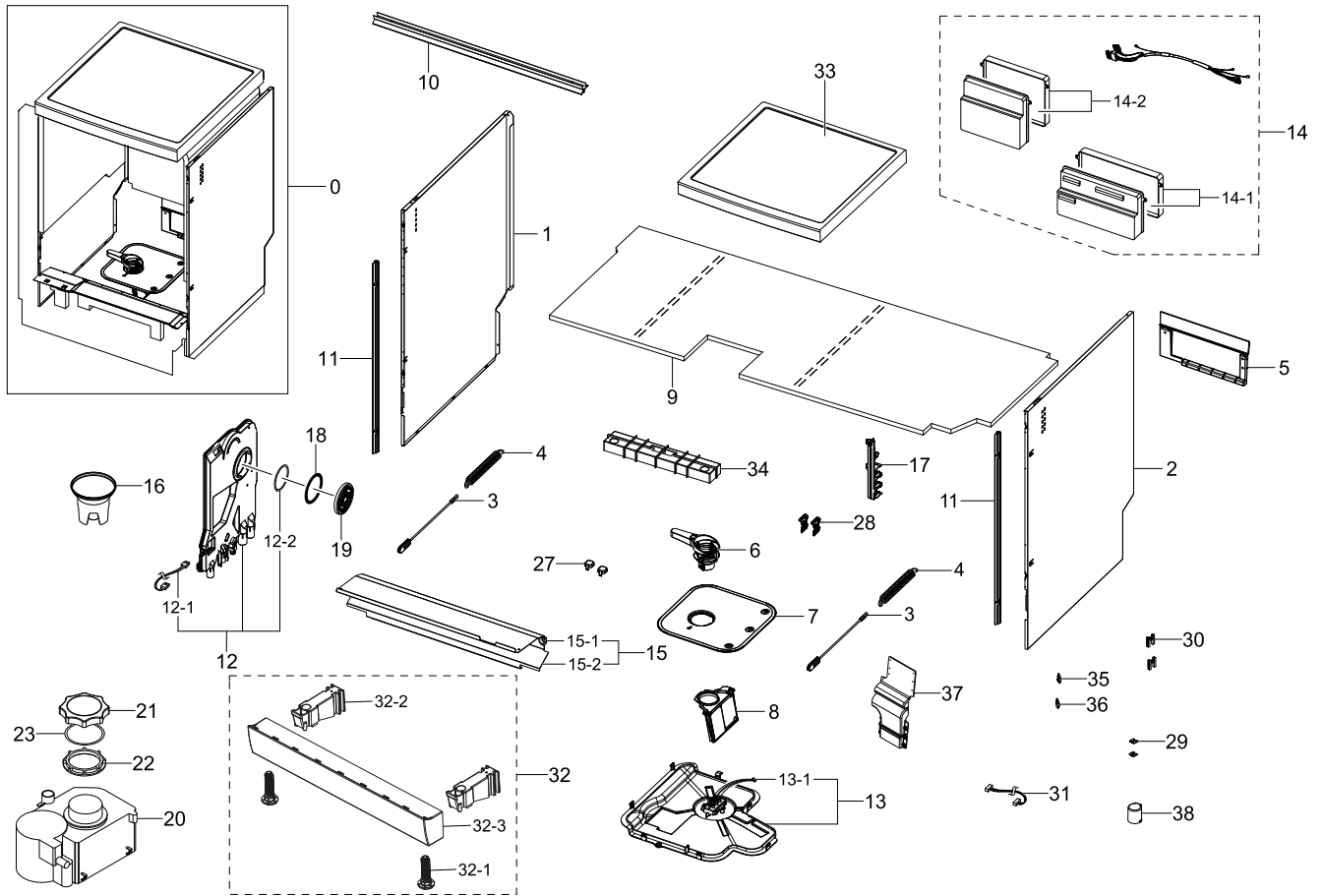
No.	Lvl.	Loc.	Material Code	Description & Specification	SNA	Qty.
0	2		DD97-00316A	ASSY MOTION; DW9000H,COMMON/NO CUSHION	SA	1
1	3		DD97-00209A	ASSY NOZZLE-LOWER; DW9900H,COMMON	SA	1
2	3		DD97-00318A	ASSY VANE; DW9000H,COMMON	SA	1
2-1	4		DD64-00135A	DECORATION-VANE; DW9900H,STS304,T0.4,-,-	SA	1
3	3		DD97-00280A	ASSY RAIL; DW9000H,COMMON	SA	1
3-1	4		DD61-00443A	BRACKET IDLER; DW9900H,STAINLESS-STS304,T	SA	1
3-2	4		DD61-00514A	HOLDER BELT; H900E,POM,-,LIGHT WARM GRAY,	SA	1
3-3	4		DD66-00105A	PULLEY MOTOR-LOW; DW9900H,POM,-,LIGHT GRA	SNA	1
3-3-1	5		DD61-00462A	GUIDE PIN; DW9900H,STS304,T3.0,-,-	SA	1
3-4	4		DD97-00208A	ASSY HOLDER VANE; DW9900H,COMMON	SNA	1

Exploded Views and Parts List

No.	Lvl.	Loc.	Material Code	Description & Specification	SNA	Qty.
3-4-1	5		DD61-00440A	HOLDER MAGNET; DW9900H,POM,-,LIGHT WARM G	SA	1
4	3		DD62-00129A	SEAL RING; DW9900H,EPDM,BLACK,-	SA	1
5	3		DD63-00285A	COVER HOLDER; DW9000H,POM,-,LIGHT WARM	SA	1

6. Assy Case Etc

Exploded View



Parts List

No.	Lvl.	Loc.	Material Code	Description & Specification	SNA	Qty.
0	1		DD90-00515A	ASSY CASE; DW60H9570FS/EF	SNA	1
1	2		DD61-00366C	HOUSING-LEFT; GALA-E,FS MODEL,EGI-SECC,T0	SA	1
2	2		DD61-00367C	HOUSING-RIGHT; GALA-E,FS MODEL,EGI-SECC,T	SA	1
3	2		DD61-00467B	HOLDER ROPE DOOR; H900E,POM,-,GRAY,HB,F20	SNA	2
4	2		DD61-00532A	SPRING ETC DOOR; DW9000H,HSWR-SWRH,72A	SNA	2
5	2		DD61-00490A	PLATE BACK; DW9900H,PP,-,BLACK,-,-,PP-COP	SA	1
6	2		DD63-00282A	FILTER COARSE; DW9000H,PP,T1.8,LIGHT WARM	SA	1
7	2		DD63-00235A	FILTER FINE; DW9900H,STAINLESS-ST304,T0.	SA	1

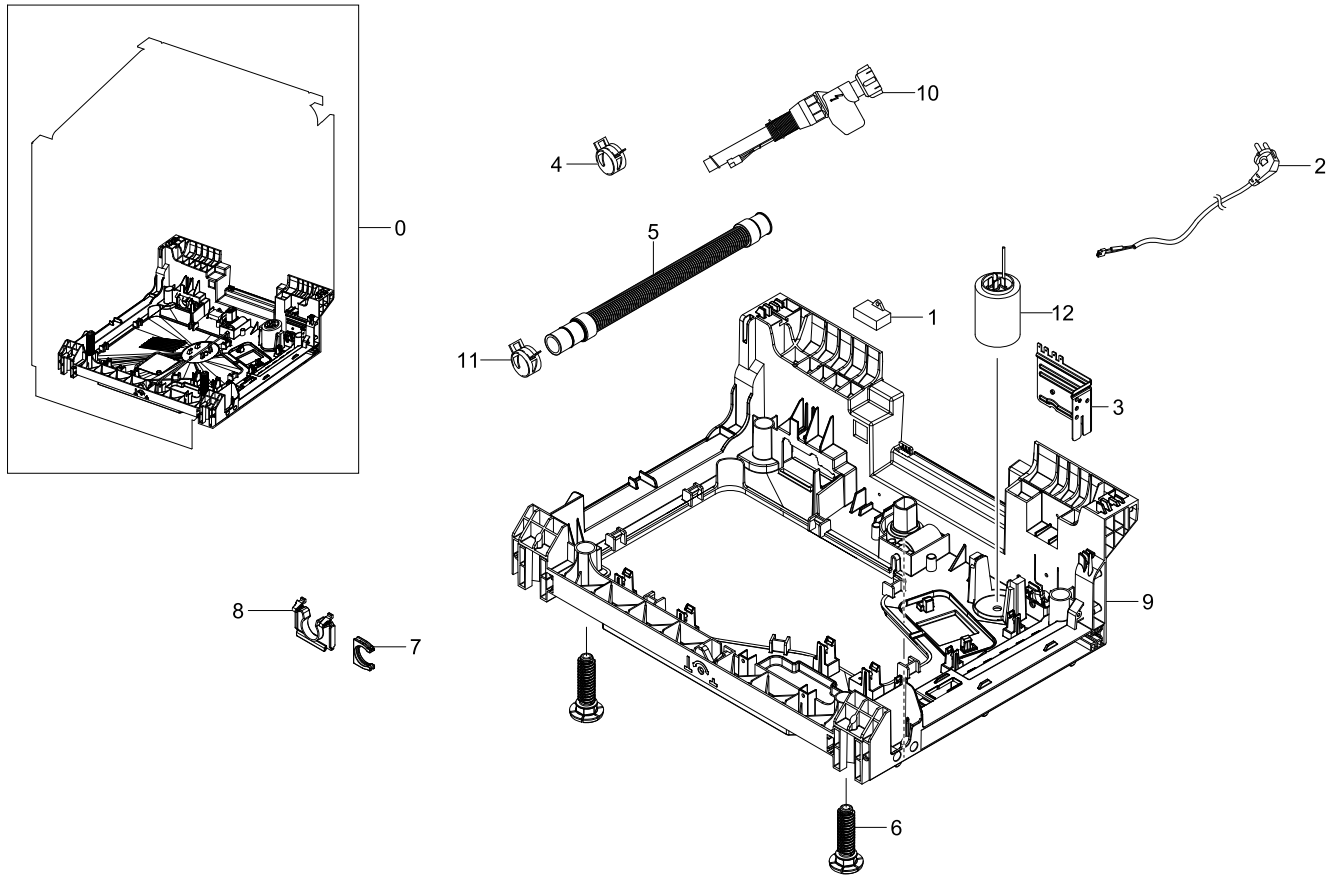
Exploded Views and Parts List

No.	Lvl.	Loc.	Material Code	Description & Specification	SNA	Qty.
8	2		DD63-00237A	FILTER MICRO; DW9900H,PP,-,LIGHT WARM GRA	SA	1
9	2	F314	DD63-00279A	ABSORBER-TOP; H900E,FELT,T20,-,-	SNA	1
10	2		DD64-00156B	TRIM UPPER; H900E,PP,EP649N,BLACK,TPV	SA	1
11	2		DD64-00096A	TRIM-SIDE (FS); GALA-E,PP+TPV,GRAY	SA	2
12	2		DD94-01091A	ASSY CASE BRAKE; GALA-E,COMMON,DC 4.5V ~	SA	1
12-1	3		DD39-00002A	WIRE HARNESS-OVERFLOW; GALA-E,COMMON,UL15	SA	1
12-2	3		DD62-00138A	SEAL RING; GALA-E,EPDM,BLACK,-	SA	1
13	2		DD97-00257A	ASSY COVER BASE; DW9900(EU),COMMON,-	SA	1
13-1	3		DD39-00001A	WIRE HARNESS-LEAKAGE; GALA-E,COMMON,UL156	SA	1
14	2		DD97-00271A	ASSY COVER PCB; DW9000H,COMMON	SNA	1
14-1	3	F316	DD92-00041B	ASSY PCB MAIN; DW60H9970US,DW9900HA,194*9	SA	1
14-2	3		DD92-00047A	ASSY PCB INVERTER; DW80H9950US,DW9900H IN	SA	1
15	2	Z021	DD90-00312A	ASSY-FRAME FRONT; GALA-E	SNA	1
15-1	3	F149	DD61-00317A	FRAME FRONT; GALA-E,COMMON,GI-SGCC,-,-,T1	SA	1
15-2	3		DD63-00168A	FELT-FRAME FRONT; GALA-E,COTTON,T10,GR	SA	1
16	2		DD61-00390A	GUIDE SALT; GALA-E,COMMON,PP,PP-COPO	SA	1
17	2	M402	DD61-00397A	HOLDER HOSE; GALA-E,COMMON,PP,PP-COPO	SA	1
18	2	F052	DD63-00072A	GASKET-BRAKE; DMR78,EPDM,BLK,R-PJT	SA	1
19	2		DD67-00073A	CAP CASE BRAKE; GALA-E,COMMON,PP,-,HB,TB5	SA	1
20	2		DD67-00083A	TANK WATER-SOFTNER; GALA-E,COMMON,PP,NTR,	SA	1
21	2		DD67-00086A	TANK WATER-SOFTNER-CAP; GALA-E,COMMON,PP,	SA	1
22	2		DD67-00087A	TANK WATER-SOFTNER-HOLDER; GALA-E,COMMON,	SA	1
23	2		DD67-00088A	TANK WATER-SOFTNER SEAL; GALA-E,COMMON,NB	SA	1
27	2		DD67-00113A	CAP RUBBER; DW9900H,PP,-,-,LIGHT WARM G	SA	2
28	2		DD61-00497A	HOLDER RAIL; DW9900H,POM,-,LIGHT GRAY,-,F	SA	2
29	2		DD61-00450A	BRACKET SPRING; DW9900H,GI-SGCC,T2.0,-	SNA	2
30	2		DD61-00483A	GUIDE HINGE; DW9900H,POM,-,-,F20-03,LIGHT	SNA	2

No.	Lvl.	Loc.	Material Code	Description & Specification	SNA	Qty.
31	2	M033	DD39-00019A	WIRE HARNESS-SUB; 10,BLU, VIO, GRY, WHT,	SNA	1
32	2		DD97-00311B	ASSY COVER PLINTH; DW9000H,FS,COMMON,NEO	SA	1
32-1	3		DD61-00331B	FOOT FREE STANDING; GALA-E,PA6,NTR	SA	2
32-2	3		DD61-00332A	HOLDER FOOT; GALA-E,FS MODEL,PP,PP-COPO	SA	2
32-3	3		DD63-00281B	COVER PLINTH; DW9000H,ABS,-,-,HG-0760GP	SA	1
33	2		DD97-00313B	ASSY COVER TOP; DW9000H,FS,NEO STAINLESS	SA	1
34	2		DD61-00533A	HOLDER CASE TOP; PP,T2.0,BLACK,-,COPO	SA	1
35	2		DD61-00536A	BRACKET-LOW RIGHT; POM,T1.8,NATURAL	SA	1
36	2		DD61-00535A	BRACKET-LOW LEFT; POM,T1.8,NATURAL	SA	1
37	2		DD63-00152A	COVER-WIRE HARNESS BASE; GALA-E,PP,BJ500,	SNA	1
38	2		DC63-01432A	COVER-FILTER; WA456DRHDWD,HIPS,T1.5,-,NAT	SA	1

7. Assy Base

Exploded View



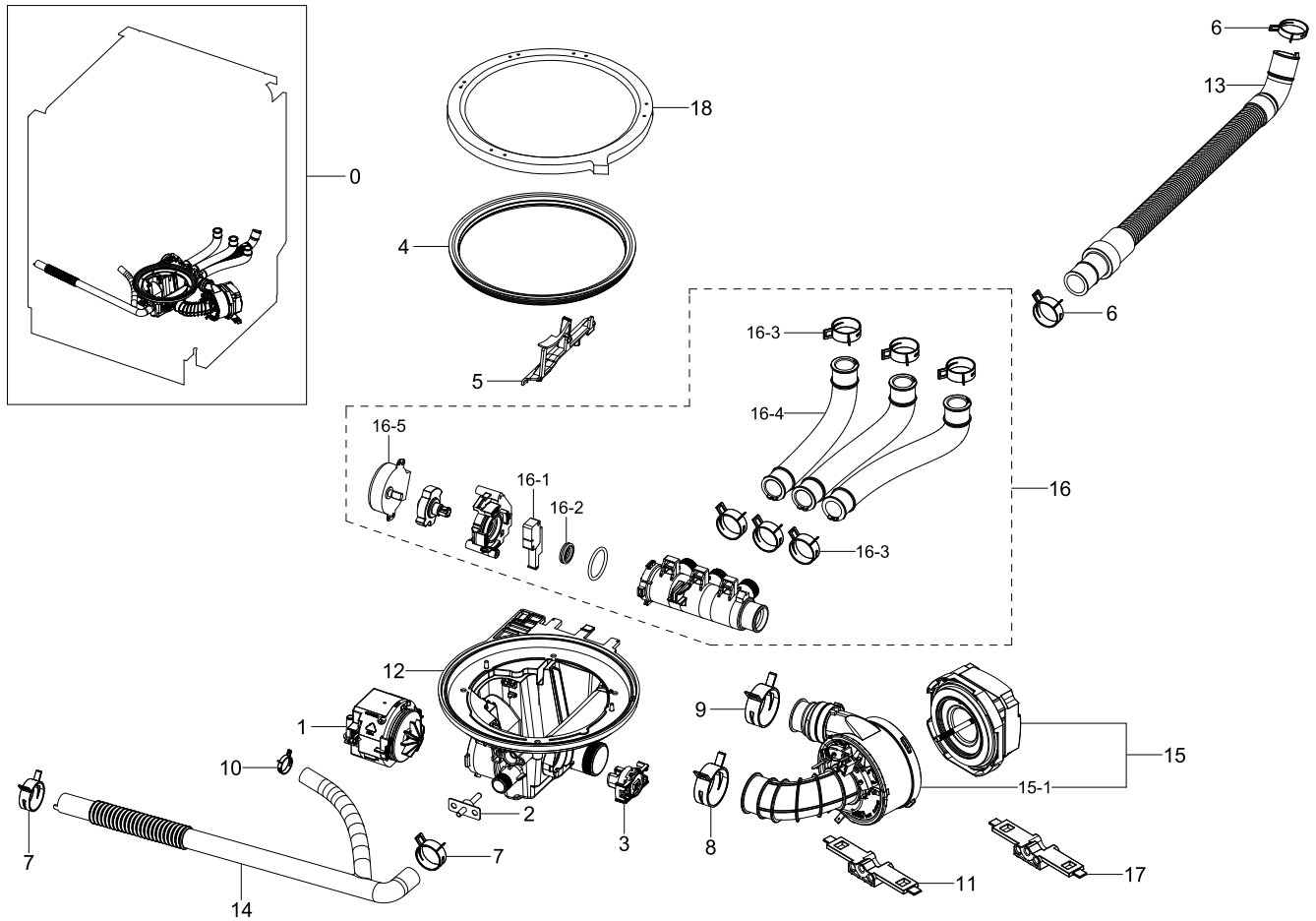
Parts List

No.	Lvl.	Loc.	Material Code	Description & Specification	SNA	Qty.
0	1		DD90-00534B	ASSY BASE; DW9000H,FS,EF,COMMON	SNA	1
1	2		2504-000010	C-MOTOR RUN-BOX; 0.18,-25to+85,BK,450V,	SA	1
2	2	M015	DC96-00146A	ASSY POWER CORD; VDE,Flag,E.U,250V/16A,H0	SA	1
3	2		DD61-00517A	BRACKET EARTH; DW9900H-EU,GI-SGCC,T1.0,-,	SNA	1
4	2	F165	DD65-00001J	CLAMPER HOSE; GALA-E,SK5,ID14.8	SA	1
5	2	A032	DD67-00079A	HOSE DRAIN; GALA-E,COMMON,PP,GRY,PP+TPE	SA	1
6	2		DD61-00331B	FOOT FREE STANDING; GALA-E,PA6,NTR	SA	2
7	2		DD61-00377A	HOLDER HOSE-OUTLET; GALA-E,POM,F20-03,NCG	SA	1
8	2		DD61-00518A	HOLDER HOSE; DW9900H-EU,POM,-,NATURAL,-,F	SA	1
9	2		DD61-00519A	PLATE BASE; DW9900H-EU,PP,T3.0,BLACK,-,RM	SNA	1

No.	Lvl.	Loc.	Material Code	Description & Specification	SNA	Qty.
10	2		DD62-00102A	VALVE WATER-SAFETY; AC220-240V,A-1,#250,2	SA	1
11	2	F167	DD65-00001G	CLAMPER HOSE; GALA-E,SK5,ID23.7	SA	1
12	2		DD29-00006A	FILTER EMI; DFCA-2512VS-22C15GW,-,AC 250V	SA	1

8. Assy Sump

Exploded View



Parts List

No.	Lvl.	Loc.	Material Code	Description & Specification	SNA	Qty.
0	1		DD90-00526B	ASSY SUMP; DW9000H,EU,COMMON	SNA	1
1	2		DD31-00016A	MOTOR BLDC PUMP; 120V/230V,DRAIN BLDC PUM	SA	1
2	2	M117	DD32-00009A	THERMISTOR; GALA-E,R50= 17.59 K,-20	SA	1
3	2	F089	DD32-00010A	SENSOR-TURBIDITY; DW80H9000,5VDC,Optical	SA	1
4	2		DD62-00130A	SEAL SUMP; DW9900H,EPDM,BLACK,V0,65	SA	1
5	2		DD63-00283A	COVER CIRCULATION PUMP; DW9000H_EU,PP,T1.	SA	1
6	2	F167	DD65-00001G	CLAMPER HOSE; GALA-E,SK5,ID23.7	SA	1
7	2	F166	DD65-00001H	CLAMPER HOSE; GALA-E,SK5,ID19	SA	2
8	2	F152	DD65-00001L	CLAMPER HOSE; GALA-E,SK5,DACRO COAT	SA	1
9	2	F152	DD65-00001M	CLAMPER HOSE; GALA-E,SK5,DACRO COAT	SA	1
10	2	F152	DD65-00001N	CLAMPER HOSE; GALA-E,SK5,DACRO COAT	SA	1

No.	Lvl.	Loc.	Material Code	Description & Specification	SNA	Qty.
11	2		DD66-00114A	DAMPER BLDC PUMP; DW9900H,EPDM,65,BLACK	SA	1
12	2		DD67-00112A	SUMP; DW9900H,PP,-,LIGHT GRAY,PP+T20,HT62	SA	1
13	2		DD67-00115A	HOSE DRAIN-IN; DW9900H,PP,T2.5,LIGHT GRAY	SA	1
14	2		DD67-00118A	HOSE WATER LEVEL SENSOR; DW9000H,EPDM,2.5	SA	1
15	2		DD93-01012A	ASSY MOTOR BLDC; DW9000H-EU,DWH9000E,-,-	SA	1
15-1	3		DD90-00505A	ASSY HEATING SYSTEM; DW9000H_EU	SNA	1
16	2		DD97-00276A	ASSY GUIDE WATER; DW9000H,COMMON	SNA	1
16-1	3	S0021	DD34-00006A	SWITCH-MICRO; 125/250V,0.1A,60gf,SPST-NO	SA	1
16-2	3	F207	DD62-00054A	SEAL DISTRIBUTER; GALA-E,SI,BLK	SA	1
16-3	3	F167	DD65-00001G	CLAMPER HOSE; GALA-E,SK5,ID23.7	SA	6
16-4	3		DD67-00119A	HOSE CIRCULATION; DW-9000H,EPDM,T3.0,Shor	SA	3
16-5	3	M358	DE31-10098A	MOTOR AC DRIVE; M2LB24ZR92,8,220~240V,50/	SA	1
17	2		DD66-00098A	DAMPER BLDC PUMP; GALA-E,EPDM	SA	1
18	2		DD61-00534A	BRACKET TUB; DW9000H,PP,-,NATURAL,BJ500	SA	1