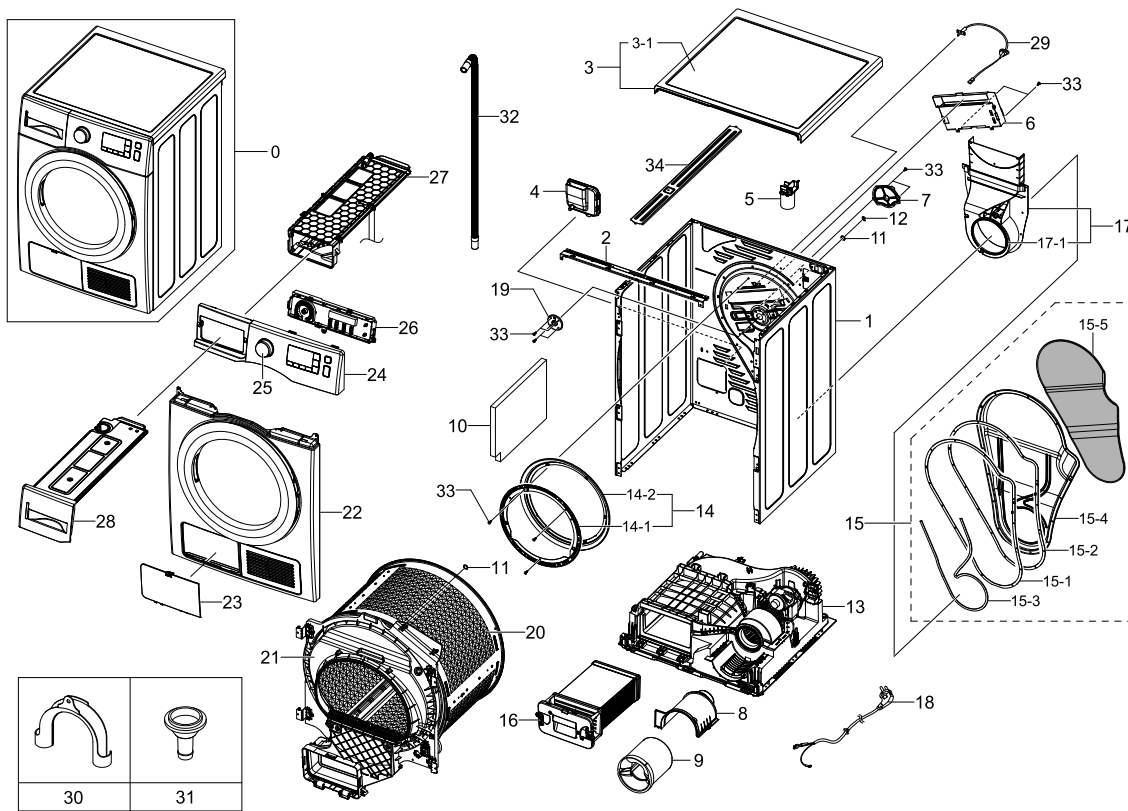


1. Main

Exploded View



Parts List

No.	Lvl.	Loc.	Material Code	Description & Specification	SNA	Qty.
1	2	WF0067	DC61-02489A	FRAME; SDC18809,GI-SGCC,-,DA WHITE,T0.7,W	SNA	1
2	2	WF0008	DC97-17883A	ASSY FRAME PLATE(U); DV-F500E,DV90F5E6HGW	SNA	1
3	2	WF0003	DC97-17446D	ASSY COVER TOP; DV4000H,DV80H4100CW,DA-WH	SA	1
3-1	3		DC63-01606A	COVER TOP; DV90F5E6HGW,ABS,T3.5,-,DA WHIT	SA	1
4	2	WI0383	DC61-02609A	GUIDE HOSE DRAIN; SDC18809,PP,T2.0,W116.7	SA	1
5	2	WY0003	DC93-00157A	ASSY CONDENSER; 450VAC 8MFD,SDC18809	SA	1
6	2		DC47-00030F	HEATER DRY; AC230V,2500W,CrAl,NON,-	SA	1
7	2	WS0141	DC63-01263A	COVER BEARING; SDC18809,EGI-SECC,T0.8,W10	SA	1
8	2	WI0388	DC63-01089A	COVER-FAN(C/F); SDC18809,PP,W174,L162,NTR	SA	1
9	2	WA0001	DC63-01105A	ABSORBER-SOUND; SDC18809,PU-FOAM,T30,H145	SA	1

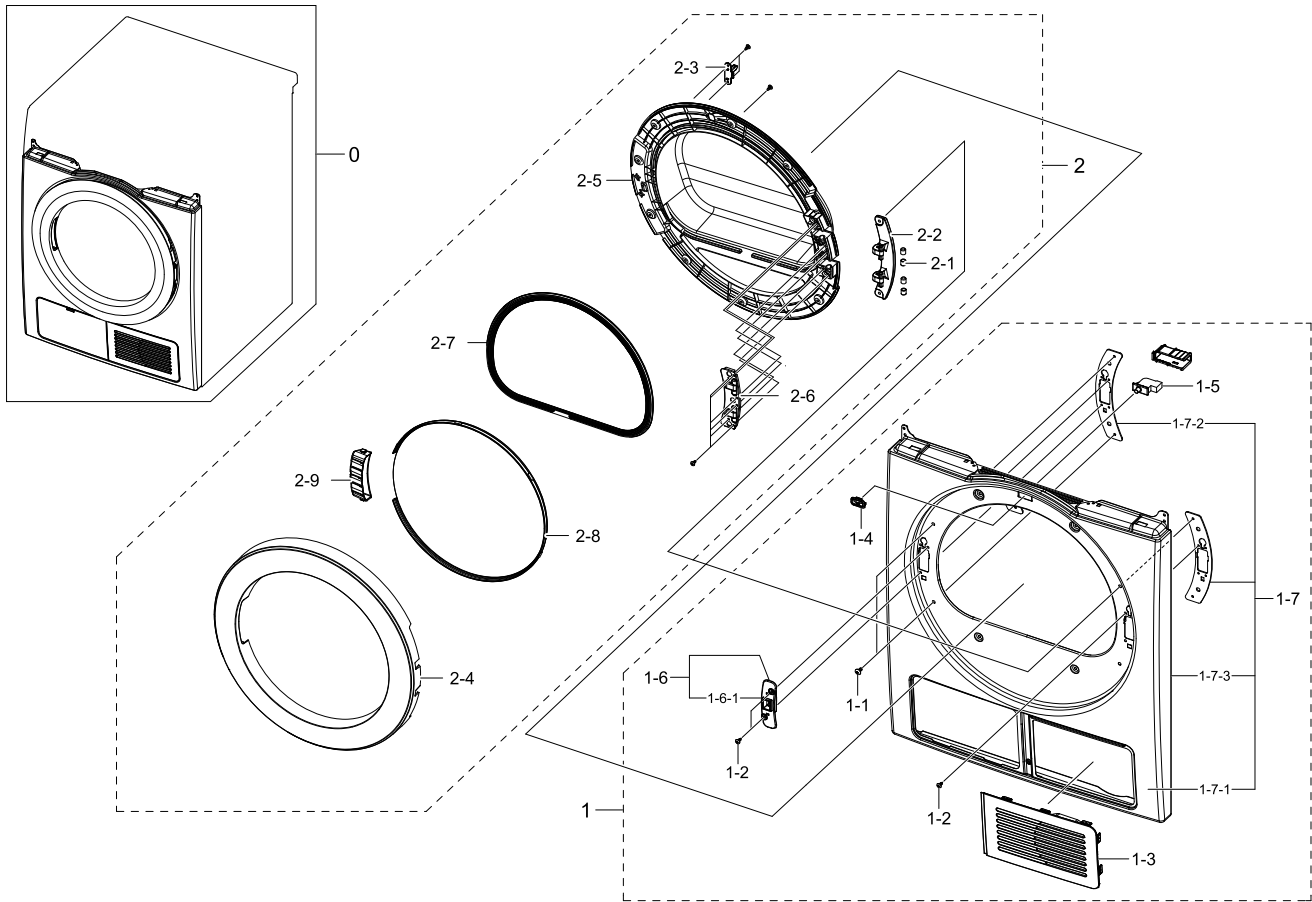
Exploded Views and Parts List

No.	Lvl.	Loc.	Material Code	Description & Specification	SNA	Qty.
10	2	WI0384	DC63-01158A	ABSORBER-SOUND(F); SDC18809,PU-FOAM,T20,W	SA	1
11	2	WJ0083	6031-002038	WASHER-PLAIN; NYLON,ID12,OD17,T1.0,NTR	SA	2
12	2	WX0623	6044-001784	RING-C; ID11.1,STW-12,T1.0,BLK,STC5	SA	1
13	2	WB0001	DC90-15588A	ASSY BASE; DV4000H	SNA	1
14	2	WJ0091	DC93-00072A	ASSY GASKET FELT; GE24-DRYER,DCVH480EK,-,	SA	1
14-1	3	WJ0093	DC61-02263A	BRACKET GASKET FELT; DCVH480EK0WW,STAINLE	SA	1
14-2	3	WJ0110	DC93-00093A	ASSY GASKET FELT SUB; GE24-DRYER,DCVH480E	SA	1
15	2	WF0002	DC97-18396A	ASSY COVER BACK; DV4000H,DV80H4100CW	SA	1
15-1	3	WE0147	DC62-00288A	SEAL-COVER DUCT(F); SDC18809,CR,BLK,T2.0,	SA	2
15-2	3	WE0147	DC62-00288B	SEAL-COVER DUCT(F); SDC18809,CR,BLK,T3.0,	SA	1
15-3	3	WE0148	DC62-00289A	SEAL COVER DUCT-G; SDC18809,CR,BLK,T3.0,W	SA	3
15-4	3	WY0103	DC63-01100A	COVER DUCT; SDC-18809,GI-SGCC,T0.6,W486,L	SA	1
15-5	3		DC62-00438A	SEAL DUCT; DV80H4100CW,PE-FOAM,DARK HOLDE	SA	1
16	2	WY0003	DC93-00115B	ASSY CONDENSER; DV4000H,DV80H4100	SA	1
17	2	WI5050	DC93-00135A	ASSY GUIDE DUCT FAN; D100 PJT,SDC18809,PP	SA	1
17-1	3		DC62-00331A	SEAL GUIDE DUCT; SDC18809,EPDM,BLK,T10.0,	SA	1
18	2	WE0016	DC96-00146A	ASSY POWER CORD; VDE,UCP2,250V16A,H05VV-F	SC	1
19	2	WS0009	DC97-16288A	ASSY HOUSING BEARING; D100-PJT,SDC18809,8	SA	1
20	1	WG0004	DC90-15493A	ASSY DRUM; DV4000H	SNA	1
21	2	WF5001	DC97-15758B	ASSY DRUM FRONT; D100 PJT,SDC16809,T2.5,B	SA	1
22	2	WF0009	DC97-18233E	ASSY FRONT; DV4000H,DV70H4400CW,WHITE	SNA	1
23	2		DC93-00507A	ASSY COVER CONDENSER; DV4000H,DV80H4100CW	SA	1
24	2	WC0016	DC97-18388C	ASSY PANEL CONTROL; DV70H4300CW/EF,FRENCH	SNA	1
25	2	WC0009	DC97-17318B	ASSY KNOB ENCODER; WF80F50FU4W/EF	SNA	1
26	2		DC92-01668A	ASSY KIT; UNION PBA,DV4000,BETTER DISPLAY	SA	1
27	2	WR0008	DC97-15938A	ASSY HOUSING DRAWER; D100 PJT,SDC18809,PP	SA	1
28	2	WR0005	DC97-18241A	ASSY DRAWER; DV4000H,DV80H4100CW	SA	1

No.	Lvl.	Loc.	Material Code	Description & Specification	SNA	Qty.
29	2	WE5185	DC90-10128P	ASSY THERMISTOR; 5V,-20~170RESISTOR,S	SA	1
30	2	WH5379	DC62-10278A	HOSE HANGER; PUMP MODEL,PP,BLACK	SA	1
31	2		DC61-02479A	GUIDE HOSE; SDC18809,PP,T1.5,L34.5,NTR,D1	SA	1
32	2	WH0023	DC97-15757C	ASSY HOSE DRAIN; D100,SDC18809,L1998,ID9.	SA	1
33	2	WX0419	6002-000239	SCREW-TAPPING; TH,+,NO,2S,M4,L8,ZPC(WHT),	SA	3
34	2		DC63-01804A	COVER PLATE; DV80H4100CW,GI-SGCC,T1.2,-,-	SA	1

2. Assy Front

Exploded View



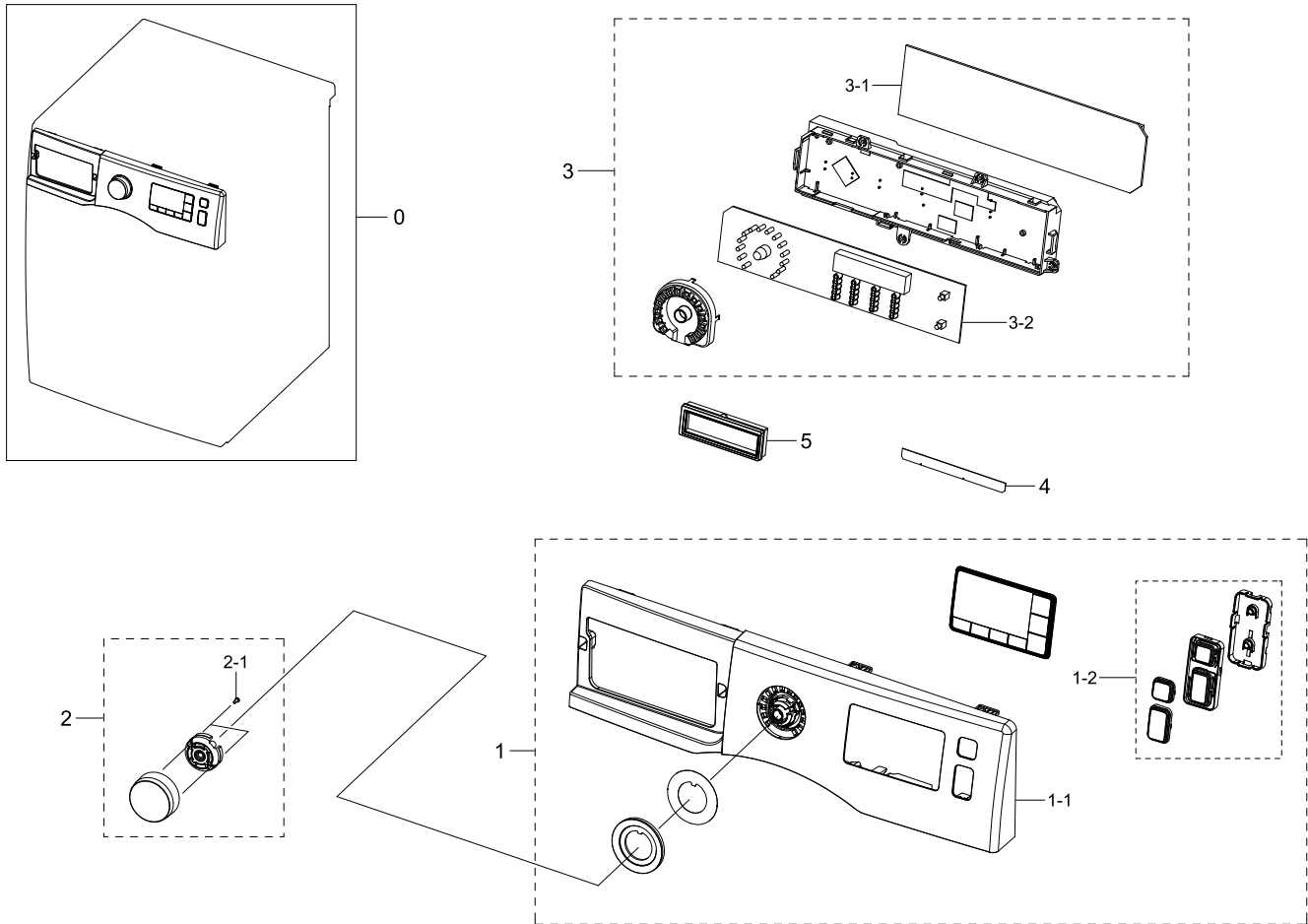
Parts List

No.	Lvl.	Loc.	Material Code	Description & Specification	SNA	Qty.
0	2	WF0009	DC97-18233E	ASSY FRONT; DV4000H,DV70H4400CW,WHITE	SNA	1
1	3	WF0005	DC97-15759G	ASSY FRAME FRONT; DV4000H,DV80H4100CW,WHI	SA	1
1-1	4	WX0407	6001-001773	SCREW-MACHINE; TH,+,-,M5,L12,PASS,STS430,	SA	2
1-2	4	WX0620	6002-001006	SCREW-TAPPING; TH,+,-,2S,M4,L12,PASS,STS4	SA	3
1-3	4	WI0171	DC63-01082A	COVER FRONT; SDC18809,ABS,T2.5,HB,DA WHIT	SA	1
1-4	4	WE0175	DC63-01226A	COVER-SWITCH(F); SDC18809,PP,W60.8,L35,GR	SA	1
1-5	4	WE0068	DC64-00828D	DOOR-S/W; PDS020-02 / SPE110F-1D,PA,T13.2	SA	1
1-6	4	WD0011	DC97-15505B	ASSY HOLDER LEVER; D100,SDC18809,DARK HOL	SA	1

No.	Lvl.	Loc.	Material Code	Description & Specification	SNA	Qty.
1-6-1	5	WD0106	DC61-02253B	HOLDER LEVER; D100,POM,DARK HOLDER GRAY	SA	1
1-7	4	WF0006	DC97-16526A	ASSY FRAME FRONT(S); D100 PJT,SDC18809,WH	SA	1
1-7-1	5	WP0095	DC61-01981A	BRACKET FRAME; WF8804DP,GI-SGCC,T0.8,W20,	SA	1
1-7-2	5	WP0101	DC61-02283A	BRACKET HINGE; DCVH480EK0WW,HGI,T2.0,W35,	SA	2
1-7-3	5	WF0082	DC61-02464A	FRAME FRONT; D100_DRYER,EGI-SECD,-,DA WHI	SA	1
2	3	WD0003	DC97-15765A	ASSY DOOR; D100 PJT,SDC16809(GOOD)	SA	1
2-1	4	WD0090	DC61-00891A	GUIDE HINGE; HAUZEN(DOM),POM,-,-,-,WHT,HI	SA	4
2-2	4	WD0096	DC61-02252A	HINGE DOOR; GE24-DRYER,ALDC,T3.0,W47.1,L2	SA	1
2-3	4	WD0114	DC66-00536A	LEVER DOOR; GE24-DRYER,ZNDC,W52.0,L31.0,C	SA	1
2-4	4	WD0037	DC63-01086A	COVER DOOR; SDC16809,ABS,-,HB,DA WHITE,HG	SNA	1
2-5	4	WD0104	DC61-02461A	HOLDER GLASS; SDC14709,PP,-,DARK HOLDER G	SA	1
2-6	4	WD0134	DC61-02462A	SUPPORT HINGE; SDC18809,GI-SGCC,T1.4,W143	SA	1
2-7	4	WD0127	DC62-00293A	SEAL DOOR; SDC14709,TPE,GRY,W16.6,L1155,D	SA	1
2-8	4	WD0079	DC64-02001B	DOOR SAFETY; SDC14709,ABS,T2.8,-,HG-0760G	SA	1
2-9	4	WD0093	DC64-01998B	HANDLE DOOR; SDC16809,HIPS,-,-,DA WHITE,W	SA	1

3. Assy Panel Control Parts

Exploded View



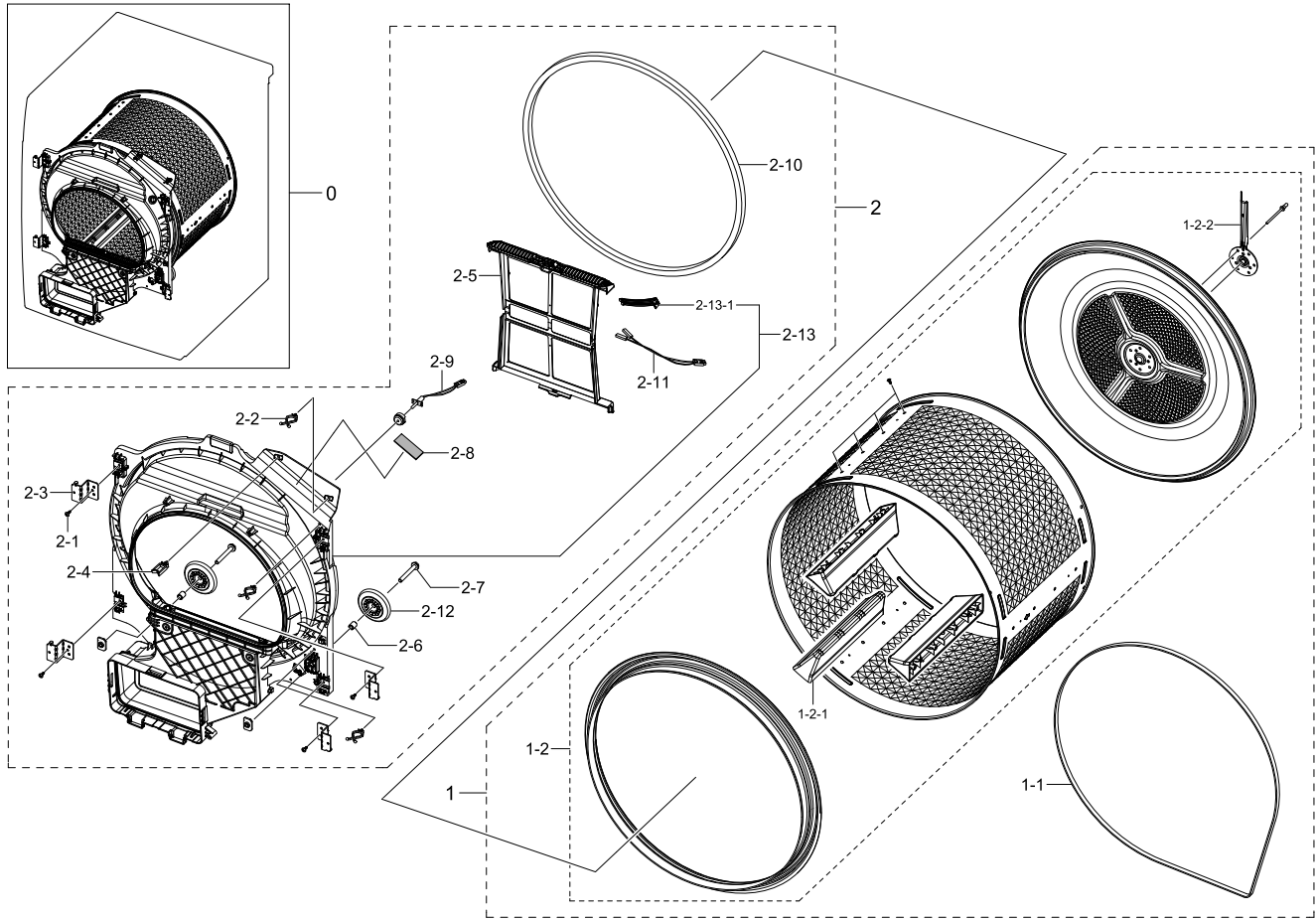
Parts List

No.	Lvl.	Loc.	Material Code	Description & Specification	SNA	Qty.
1	2	WC0016	DC97-18388C	ASSY PANEL CONTROL; DV70H4300CW/EF,FRENCH	SNA	1
1-1	3		DC64-03129A	PANEL CONTROL; DV4000H,ABS,-,ABS 780,DA W	SNA	1
1-2	3	WC0001	DC97-17392A	ASSY BUTTON; WF80F50FU4W/EF	SA	1
2	2	WC0009	DC97-17318B	ASSY KNOB ENCODER; WF80F50FU4W/EF	SNA	1
2-1	3	WX0615	6002-000630	SCREW-TAPPING; PH,+,NO,2S,M3,L8,ZPC(WHT),	SA	2
3	2		DC92-01668A	ASSY KIT; UNION PBA,DV4000,BETTER DISPLAY	SA	1
3-1	3	WZ0010	DC92-01664A	ASSY PCB MAIN; MAIN PBA,DV4000,230V/50HZ,	SNA	1
3-2	3	WZ0025	DC92-01487A	ASSY PCB SUB; SUB BETTER 7kg,DV-F500E,N,H	SA	1

No.	Lvl.	Loc.	Material Code	Description & Specification	SNA	Qty.
4	2		DC93-00352A	ASSY SENSOR; F400 BETTER, TOUCH SENSOR,4-B	SA	1
5	2		DC62-00403A	SEAL RUBBER; EPDM,BLACK,-,BETTER	SA	1

4. Assy Drum

Exploded View



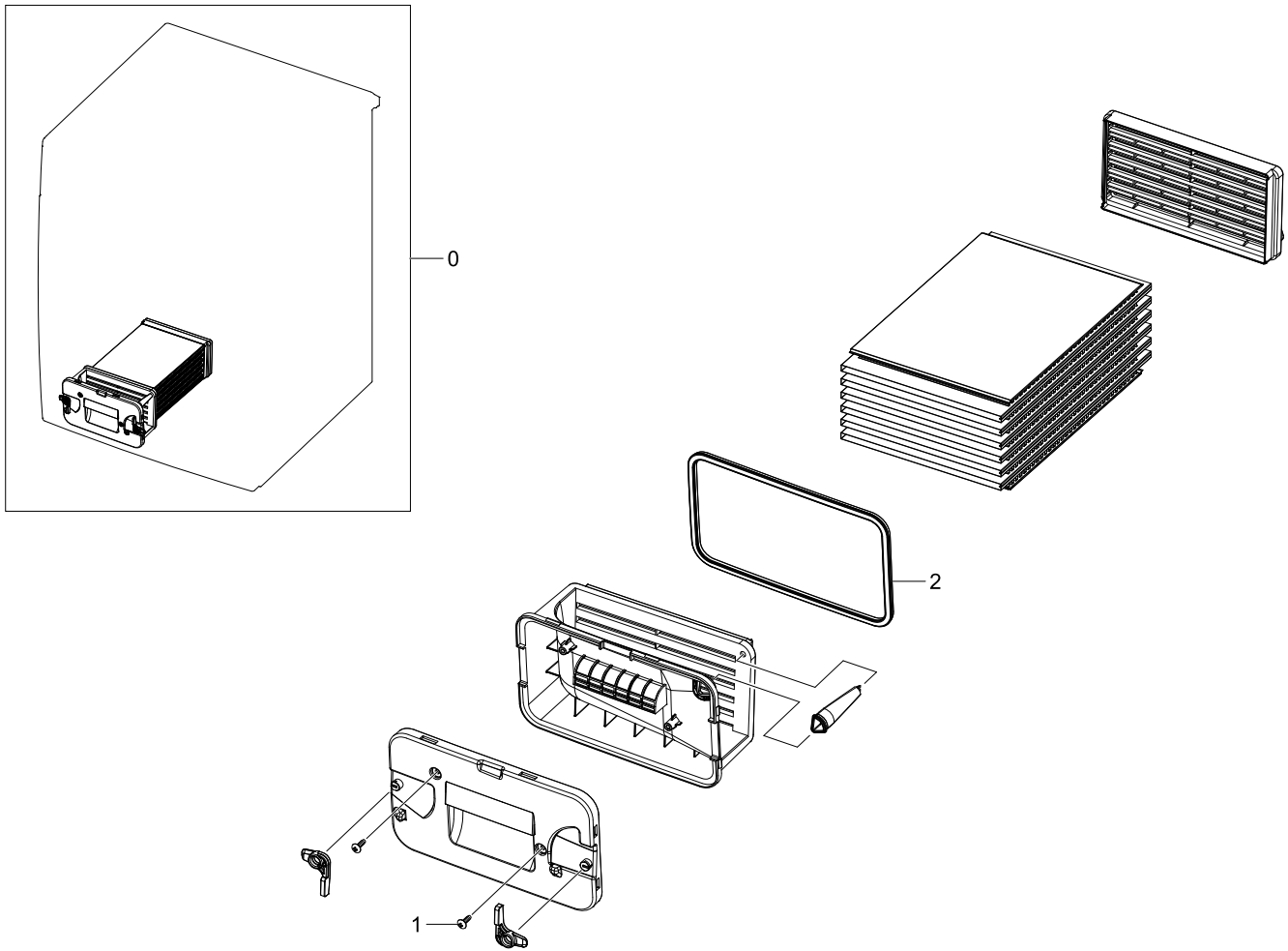
Parts List

No.	Lvl.	Loc.	Material Code	Description & Specification	SNA	Qty.
1	1	WG0004	DC90-15493A	ASSY DRUM; DV4000H	SNA	1
1-1	2	WS0060	6602-002024	BELT-TIMING GEAR; 7PH1970,RUBBER,T2.7,L19	SA	1
1-2	2	WG0007	DC97-15812C	ASSY DRUM WRAPPER; DV4000H,DV80H4100CW	SA	1
1-2-1	3	WG0055	DC66-00541A	DRUM LIFTER; GE24-DRYER,PP,T3.0,FC2210,GR	SA	3
1-2-2	3	WS0006	DC97-15817A	ASSY FLANGE SHAFT; D100-PJT,SDC-18809	SA	1
2	2	WF5001	DC97-15758B	ASSY DRUM FRONT; D100 PJT,SDC16809,T2.5,B	SA	1
2-1	3	WX0622	6002-001306	SCREW-TAPPING; TH,+,1,M4,L14,ZPC(WHT),SWR	SA	4
2-2	3	WI0293	DC61-40086A	HOLDER WIRE; DAWH-3NB,PA,T1.8,NATURAL,-,K	SA	2

No.	Lvl.	Loc.	Material Code	Description & Specification	SNA	Qty.
2-3	3	WP0173	DC61-01236A	BRACKET DRUM FRONT; WINGS-DRYER,HGI,T2.0,	SA	4
2-4	3	WI0294	DC61-00553B	HOLDER-WIRE SADDLE; PA,NTR,NYLON66	SA	1
2-5	3		DC61-02473B	CASE FILTER; PP,-,DARK HOLDER GRAY,-,FH21	SA	1
2-6	3	WS0063	DC61-02485A	BUSH BEARING; SDC18809,SWRCH10A,ID8,OD12,	SA	2
2-7	3	WF0126	DC66-00572A	SHAFT ROLLER; SDC18809,SWRCH10A,L61,OD8,Z	SA	2
2-8	3	WO0062	DC72-00040H	ABSORBER SPONGE; SDC18809,PU-FOAM,T3.0,W5	SA	1
2-9	3	WE5048	DC90-10128G	ASSY THERMISTOR; SEW-745DW,L120,-,-	SA	1
2-10	3	WI0028	DC93-00125A	ASSY GASKET PAD; D100-PJT,SDC18809,PE+WOO	SA	1
2-11	3	WW5193	DC96-00766A	ASSY WIRE HARNESS; -	SA	1
2-12	3	WS0021	DC97-15768A	ASSY ROLLER; D100-PJT,SDC18809	SA	2
2-13	3	WF5002	DC97-15863B	ASSY DRUM FRONT-SUB; D100 PJT,SDC16809,T2	SA	1
2-13-1	4	WE0117	DC61-02359A	PLATE SENSOR; GE24-DRYER,STAINLESS-STS430	SA	2

5. Assy Condenser

Exploded View

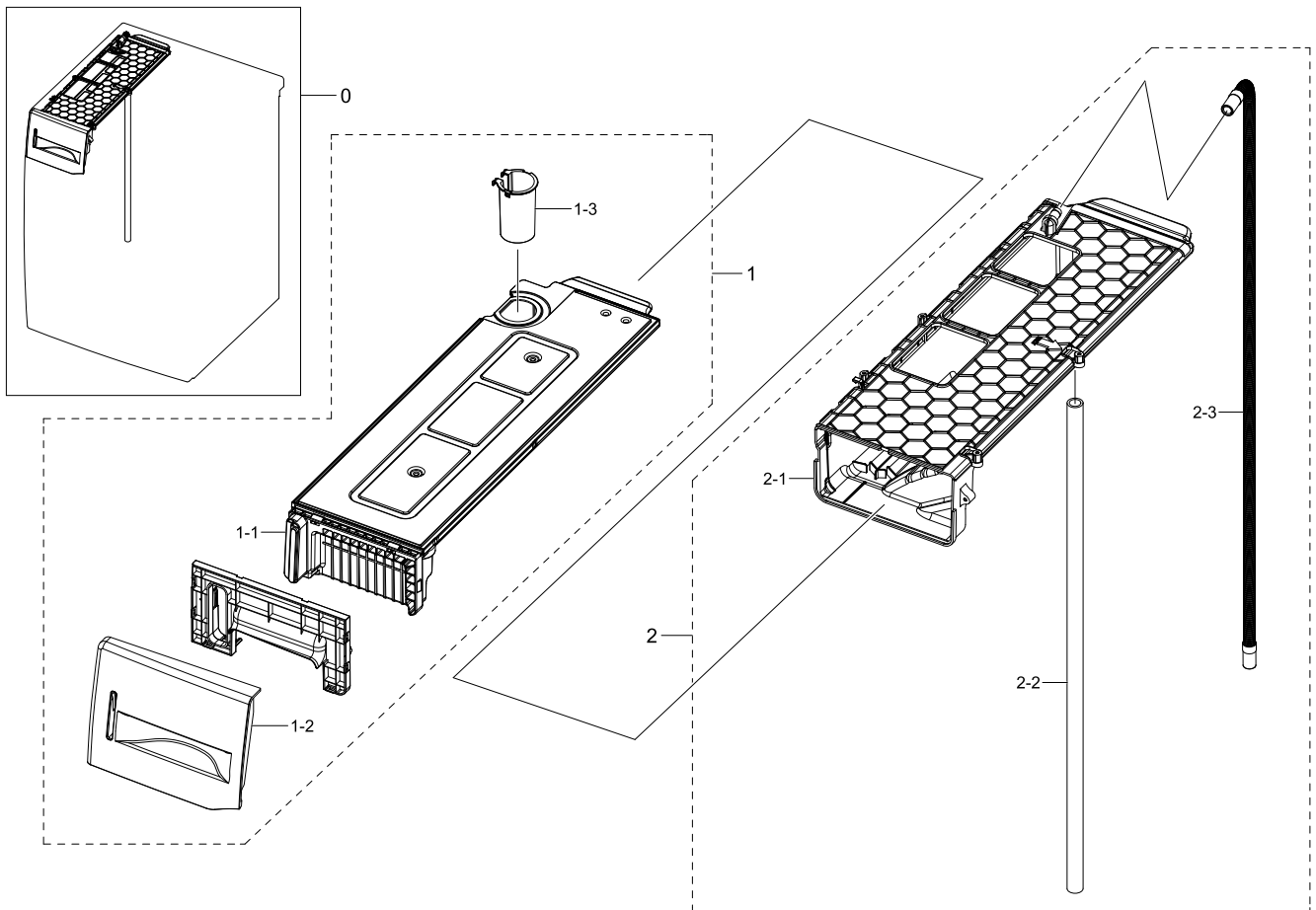


Parts List

No.	Lvl.	Loc.	Material Code	Description & Specification	SNA	Qty.
0	2	WY0003	DC93-00115B	ASSY CONDENSER; DV4000H,DV80H4100	SA	1
1	3	WX0621	6002-000444	SCREW-TAPPING; TH,+,2,M4,L14,PASS,STS430	SA	2
2	3		DC62-00441A	SEAL CONDENSER; DV80H4100,TPE,-,-,XR-1045	SA	1

6. Assy Drawer&Housing Drawer

Exploded View

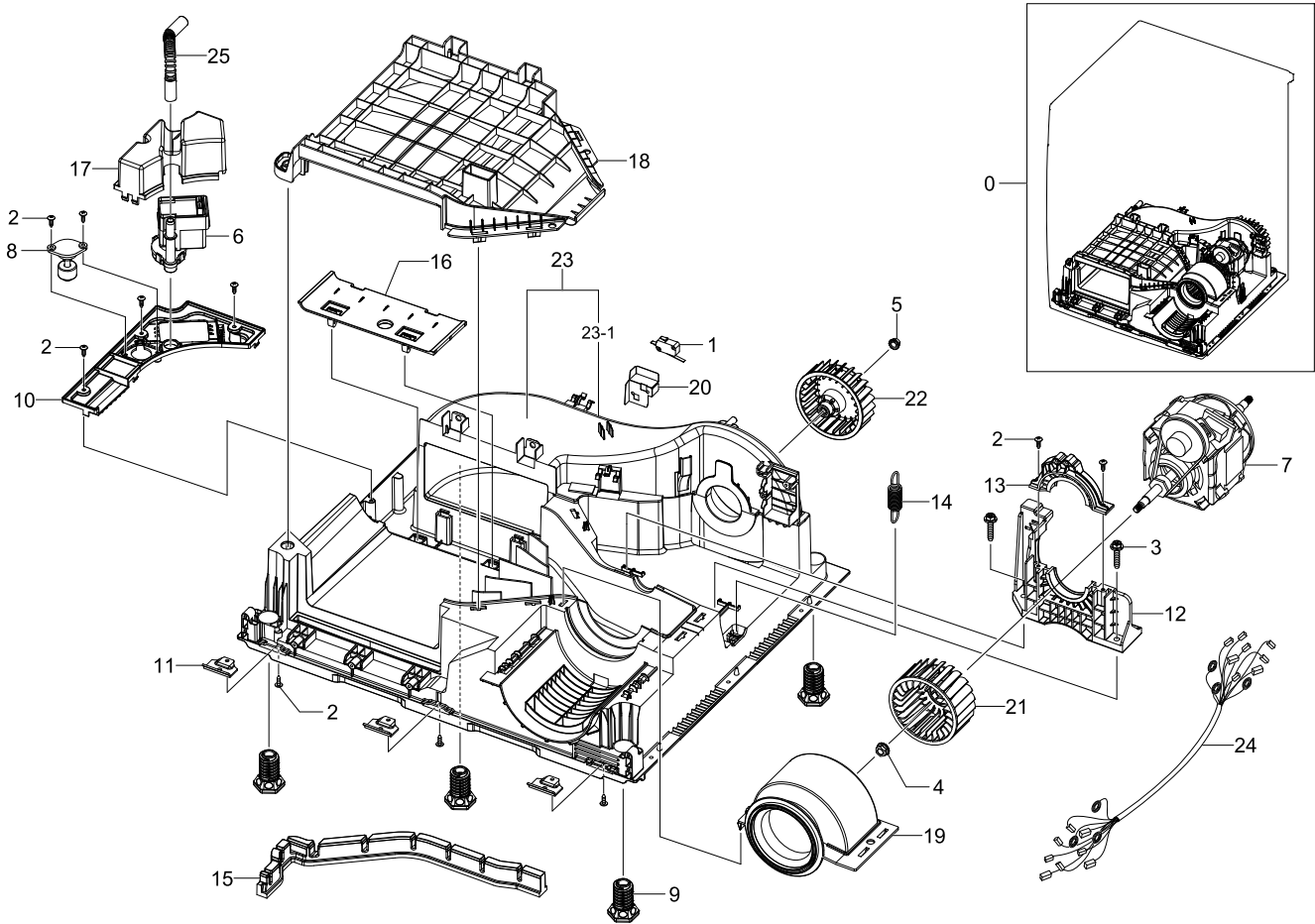


Parts List

No.	Lvl.	Loc.	Material Code	Description & Specification	SNA	Qty.
1	2	WR0005	DC97-18241A	ASSY DRAWER; DV4000H,DV80H4100CW	SA	1
1-1	3		DC61-02573B	BODY TANK WATER; DV80H4100CW,PP,NATURAL,-	SA	1
1-2	3	WC0120	DC64-03127A	PANEL DRAWER; DV-4000H,ABS,-,HG-0760GP,DA	SA	1
1-3	3	WI0341	DC67-00428A	CAP TANK WATER; SDC18809,PP,SKY BLUE	SA	1
2	2	WR0008	DC97-15938A	ASSY HOUSING DRAWER; D100 PJT,SDC18809,PP	SA	1
2-1	3	WR0049	DC61-02476A	HOUSING DRAWER; SDC18809,PP,NTR	SA	1
2-2	3	WH5376	DC67-00429A	HOSE WATER; SDC18809,EPDM,ID13.0,OD18.0,T	SA	1
2-3	3	WH0023	DC97-15757A	ASSY HOSE DRAIN; D100,SDC18809,L748,GRY	SA	1

7. Assy Base

Exploded View





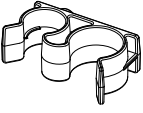

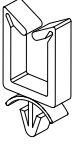
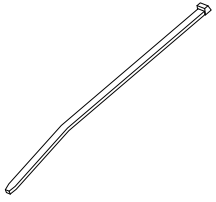

Parts List

No.	Lvl.	Loc.	Material Code	Description & Specification	SNA	Qty.
0	2	WB0001	DC90-15588A	ASSY BASE; DV4000H	SNA	1
1	3	WE0136	3405-001077	SWITCH-MICRO; 125V,16A,180gf,2	SA	1
2	2	WX0622	6002-001306	SCREW-TAPPING; TH,+,1,M4,L14,ZPC(WHT),SWR	SA	2
3	3	WX0470	6002-001313	SCREW-HEX; HWH,+,-,M6.5,L25,ZPC(WHT),SWRC	SA	2
4	3	WX0574	6021-001201	NUT-INCH; LEFT TURN,3/8"-24,ZPC(YEL),MSWR	SA	1
5	3	WX0618	6021-001321	NUT-INCH; RIGHT TURN,3/8"-24,ZPC(BLK),SWC	SA	1
6	3	WU5017	DC31-00105A	PUMP-DRAIN; B13-6AA01120,220V-240V,50Hz,4	SA	1
7	3	WS0096	DC31-00106A	MOTOR INDUCTION-DRYER; Dryer motor,Y6S258	SA	1
8	3	WE0176	DC34-00010A	SWITCH FLOAT; 500.5mm,1.5	SA	1

No.	Lvl.	Loc.	Material Code	Description & Specification	SNA	Qty.
9	3		DC61-02447B	LEG; D100 DRYER,FRPP,NTR,L49.3	SA	4
10	3	WS0137	DC61-02459A	HOLDER PUMP MOTOR; SDC18809,PP,W259,L145,	SA	1
11	3	WI0389	DC61-02465A	GUIDE FRAME FRONT; D100_PJT,GI-SGCC,T2.0,	SA	2
12	3	WS0138	DC61-02466A	SUPPORT-MOTOR(L); D100-PJT,PP,T3.0,W169,L	SA	1
13	3	WS0139	DC61-02467A	SUPPORT-MOTOR(U); D100-PJT,PP,T3.0,W111,L	SA	1
14	3	WP0015	DC61-02487A	SPRING ETC TENSION; SDC18809,HSWR-SWRH,CD	SA	1
15	3	WS0140	DC62-00290A	SEAL BASE; SDC18809,EPP,NTR,T30,W18.2,L32	SA	1
16	3	WB0038	DC63-01083A	COVER BASE; SDC18809,PP,W201,L77.4,NTR,D1	SA	1
17	3	WI0203	DC63-01084A	COVER PUMP; SDC18809,HIPS,W136.5,L108,NTR	SA	1
18	3	WI0390	DC63-01087A	COVER-CONDENSER(U); SDC18809,PP,W272,L351	SA	1
19	3	WI0391	DC63-01090A	COVER-FAN(C); SDC18809,PP,W175,L105.4,NTR	SA	1
20	3	WI0392	DC63-01155A	COVER-SWITCH(M); SDC18809,GI-SGCC,T0.4,W4	SA	1
21	3	WY0114	DC67-00425A	FAN-(C); D100-DRYER,FRPP,OD100,GF15%	SA	1
22	3		DC67-00426A	FAN-P; D100-DRYER,FRPP,OD139,GF15%	SA	1
23	3	WB5218	DC90-02991A	ASSY BASE-SUB; D100-PJT,SDC-18809	SA	1
23-1	4	WB0012	DC61-02478A	BASE; SDC18809,PP,W592,L521.2,NTR	SA	1
24	3		DC93-00494A	ASSY WIRE HARNESS-MAIN; DRYER-ELECTIC,Y,C	SA	1
25	3	WH0023	DC97-15757B	ASSY HOSE DRAIN; D100,SDC18809,SINGLE BUS	SA	1

8. Small Parts

Exploded View

				
1	2	3	4	5
				
6	7			

Parts List

No.	Lvl.	Loc.	Material Code	Description & Specification	SNA	Qty.
1	3	WI0293	DC61-40086A	HOLDER WIRE; DAWH-3NB,PA,T1.8,NATURAL,-,K	SA	2
2	2	WI0293	DC61-40081A	HOLDER WIRE; DAWH-2NC,PA,-,NATURAL,-	SA	7
3	2	WJ5055	DC65-00026A	CLAMPER HOSE-FIX; SDC18809,PP,BJ350,NTR	SA	1
4	3	WX0599	6502-000168	CABLE CLAMP; DA-6N,ID10.0,T1.0,NYLON6/6,N	SNA	1
5	3	WI0294	DC61-00553B	HOLDER-WIRE SADDLE; PA,NTR,NYLON66	SA	1
6	2	WJ0021	DC65-10001A	CABLE TIE; PVC	SNA	2
7	2	WI0293	DC61-40083A	HOLDER WIRE; DAWH-3ND,NYLON66,NTR(PI24.4)	SNA	1