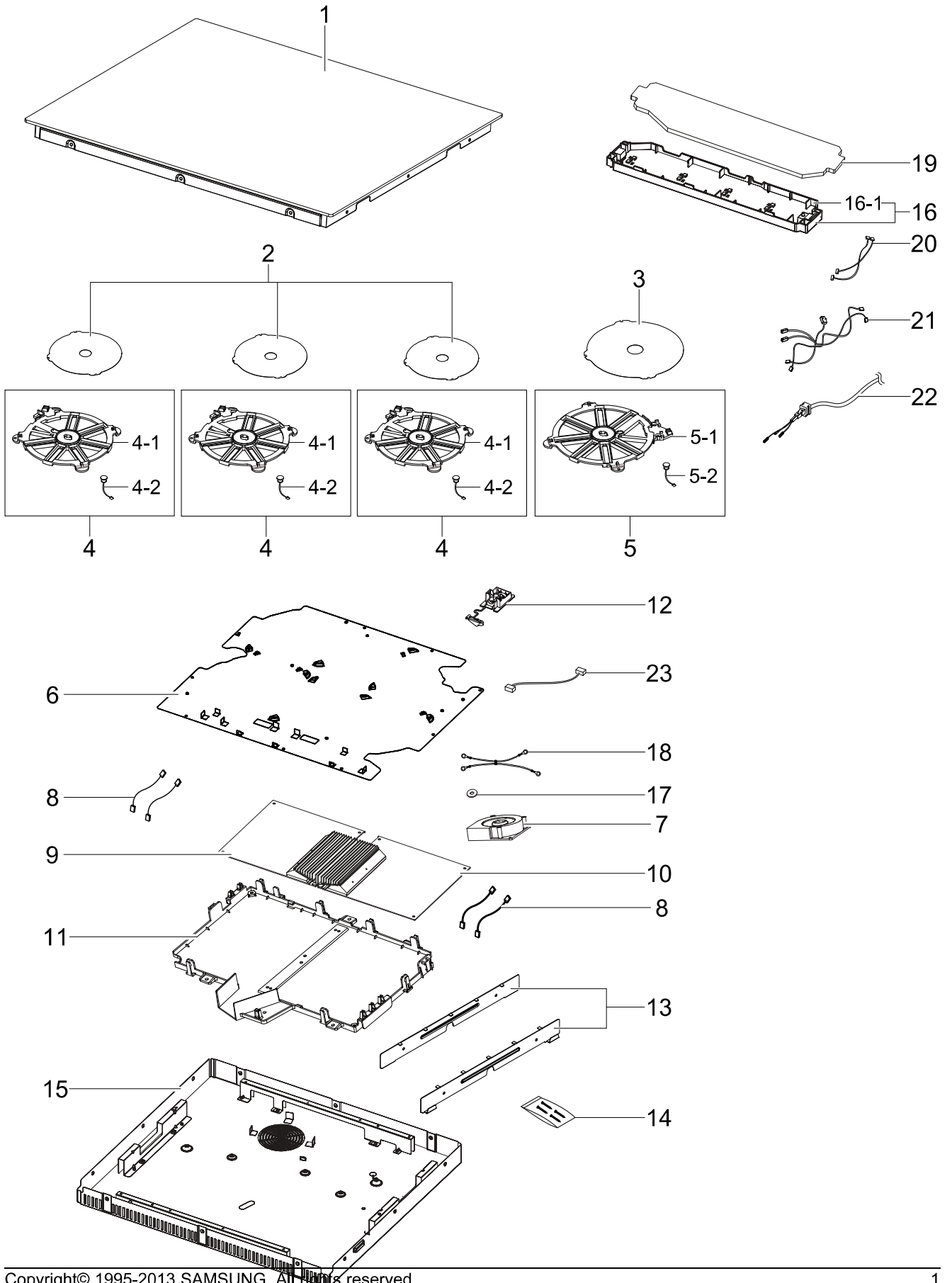


# 1. CTN464NC01/XEF

## Exploded View



## Parts List

No.	Lvl.	Loc.	Material Code	Description & Specification	SNA	Qty.
1	2	H042	DG94-00566A	ASSY TOP PLATE; CTN464NC01,CORE BEST	SA	1
2	2		DG63-00206A	COVER-COIL 180; CTN264EA01,MICA SHEET,T0.	SA	3
3	2		DG63-00207A	COVER-COIL 210; CTN263EA01,MICA SHEET,T0.	SA	1
4	2		DG96-00192A	ASSY-WORKING COIL 180; CTN264**,180PI,260	SA	3
4-1	3		DG27-01012A	COIL-WORKING 180; 180pi,54.0uH,5%,SIH3-	SA	3
4-2	3	M054	DG32-00005A	SENSOR-TOP; CTI613EHST,INDUCTION	SA	1
5	2		DG96-00193A	ASSY-WORKING COIL 210; CTN263**, CTN264**	SA	1
5-1	3	G512	DG27-01013A	COIL-WORKING 210; 210pi,54.0uH,5%,SIH3-	SA	1
5-2	3	M054	DG32-00005A	SENSOR-TOP; CTI613EHST,INDUCTION	SA	1
6	2		DG94-00424A	ASSY CASE-INDUCTION A; CTN464FB01; CTN464	SNA	1
7	2	M526	DG31-00011B	MOTOR BLDC FAN-BOX; D12F-12BM 09B,2900rpm	SA	1
8	2	W042	DG96-00187B	ASSY WIRE HARNESS-S; CTN464FB01,230V50Hz,	SA	4
9	3		DG96-00217D	ASSY-INVERTER MODULE L; Core Better,Green	SA	1
10	3		DG96-00216A	ASSY-INVERTER MODULE R; CTN464FB01,BETTER	SA	1
11	3	C178	DG61-00547B	HOLDER-PCB; CTN463NC01,PP,T2.3,W443.1,L29	SNA	1
12	1		DG61-00768A	HOLDER-CABLE; INDUCTION COOKTOP,PA66,WHIT	SA	1
13	2	P218	DG61-00005B	BRACKET-INSTALL; C61RCCNR/BWT,GI-SGCC,T0.	SA	2
14	2	M060	DG97-00010A	ASSY HARD WARE; C61RCCNR,NO-FRAME	SA	1
15	2	G001	DG94-00428B	ASSY CASE BURNER; CTN463NC01,CORE-IND PJT	SA	1
16	2	C265	DG94-00420A	ASSY-SPRING PANEL; CTN464FB01; CTN464KC01	SA	1
16-1	3	C005	DG64-00349A	CONTROL-PANEL; CTN464FB01,PBT+GF,T2.5,W36	SA	1
17	3	H009	DE60-40026B	WASHER-PLAIN; ZNC,OD12,T1.0,SBC1	SA	2
18	3	W033	DG96-00215A	ASSY WIRE HARNESS-P; CTN464FB01,230V50Hz,	SA	1
19	2	M372	DE96-00910J	ASSY TOUCH; CTN464KC01,New Amber,CORE,BES	SA	1
20	2	W004	DG96-00214A	ASSY WIRE HARNESS-C; CTN464FB01,230V50Hz,	SA	1

No.	Lvl.	Loc.	Material Code	Description & Specification	SNA	Qty.
21	2		DG96-00309B	ASSY WIRE HARNESS-POWER CORD; CTN46,230V5	SA	1
22	3	M015	DG96-00061F	ASSY POWER CORD; VDE,Without Plug,EUROPE,	SA	1
23	1	W043	DG96-00320A	ASSY WIRE HARNESS-MOTOR; CTN46,230V50Hz,M	SA	1