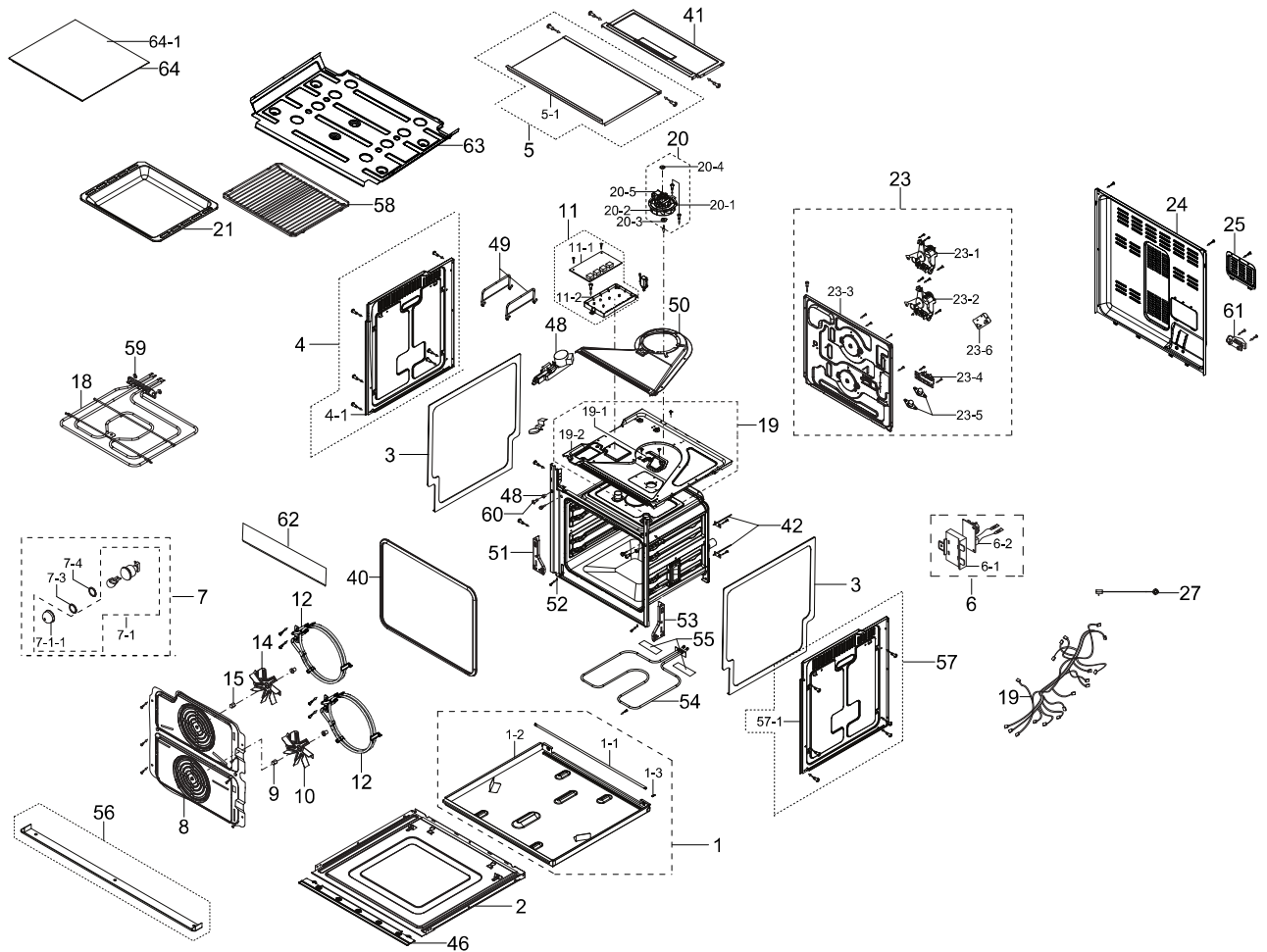


1. Main

Exploded View



Parts List

No.	Parent	Lvl.	Loc.	Material Code	Description & Specification	SNA	Qty.
1	BQ3Q4T016/XEF	1	P229	DG97-00105B	ASSY COVER-BOTTOM HEATER; BT62FQB PST,-,-,	SA	1
1-1	DG97-00105B	2	U029	DG66-00014A	WIRE-COVER BOTTOM HEATER; BT62FQB PST,STS4	SA	1
1-2	DG97-00105B	2	M241	DG63-00007A	COVER-BOTTOM HEATER; BT63BSST,GI,T0.5,W43	SA	1
1-3	DG97-00105B	2	U028	DG47-00027A	HOLDER-R PIN; BT62FQB PST	SA	1
2	BQ3Q4T016/XEF	1	U075	DG61-00051A	BASE-BOTTOM; BT63BSST,SGCD1,T0.5,W555,L61	SA	1
3	BQ3Q4T016/XEF	1	P282	DG63-00085A	COVER-ADIABATIC-L/R; BT62FQB PST,GI,T0.5,W	SA	1
4	BQ3Q4T016/XEF	1	H125	DG94-00329A	ASSY CASE-L; GF94TN001,COOKER	SA	1
4-1	DG94-00329A	2	H054	DG61-00055B	CASE-LEFT; BT62FQB PST,GI,T0.6,W600,L529,P	SA	1

Exploded Views and Parts List

No.	Parent	Lvl.	Loc.	Material Code	Description & Specification	SNA	Qty.
5	BQ3Q4T016/XEF	1	H094	DG94-00361C	ASSY CASE-UPPER; BF641FST,GI,T0.5,IN-HOUS	SA	1
5-1	DG94-00361C	2	H051	DG61-00052D	CASE-UPPER A; BT63BSST,GI,T0.5,W570.8,L36	SNA	1
6	BQ3Q4T016/XEF	1		DG96-00018A	ASSY HOLDER NOISE FILTER; BT63BSST,-	SNA	1
6-1	DG96-00018A	2	M264	DG61-00090B	HOLDER-NOISE FILTER; 24" all model,PA66+	SA	1
6-2	DG96-00018A	2	M017	DG96-00021A	ASSY NOISE FILTER; -,SN-BF63,250V15A,E-OV	SA	1
7	BQ3Q4T016/XEF	1	M248	DG97-00011D	ASSY LAMP BULB; BQ2Q7G069,PYROLYTIC,Sunli	SA	1
7-1	DG97-00011D	2	M249	DG97-00012B	ASSY LAMP BULB-SUB; BT62FQBPST,-,-,PYRO	SA	1
7-1-1	DG97-00012B	3	M279	DG63-00026A	COVER-LAMP BULB; BT63BSST / BWT,GLASS,TRA	SNA	1
7-3	DG97-00011D	2	M265	DG63-00029A	COVER-RING BULB; BT63BSST,STS 304,T0.5,W5	SA	1
7-4	DG97-00011D	2	M250	DG63-00098A	SHEET-RING BULB; BT62FQBPST,STS304,T0.5,W	SA	1
8	BQ3Q4T016/XEF	1	H005	DG97-00038F	ASSY COVER CASING; CLASSIC3,-,-,ENAMEL	SA	1
9	BQ3Q4T016/XEF	1	X107	6021-001208	NUT-HEXAGON CAP; M4,NI PLT,SWRCH10A	SA	1
10	BQ3Q4T016/XEF	1	H058	DG67-00011B	FAN-CONVECTION LOWER; BT62FQBPST,ALCOAT,P	SA	1
11	BQ3Q4T016/XEF	1	C297	DG97-00021T	ASSY HOLDER-PCB; BT620FQPST,ORANGE	SA	1
11-1	DG97-00021T	2	F316	DE92-02369R	ASSY PCB MAIN; 24MD-MAIN,BT620FQST,LED,23	SA	1
11-2	DG97-00021T	2	C195	DG61-00450A	HOLDER-PCB MAIN; GVE MODEL,PP,NTR,FH44N	SA	1
12	BQ3Q4T016/XEF	1	H048	DG47-00009A	HEATER-CONVECTION TWIN; SHC-BT63E,BT63BSS	SA	2
14	BQ3Q4T016/XEF	1	H057	DG67-00001B	FAN-CONVECTION UPPER; BT62FQBPST,ALCOAT,P	SA	1
15	BQ3Q4T016/XEF	1	X107	6021-001211	NUT-HEXAGON CAP; M4,NI PLT,SWRCH10A,LEFT	SA	1
18	BQ3Q4T016/XEF	1	M007	DG47-00025A	HEATER-GRILL; BT62FQBPST,2700W,230V	SA	1
19	BQ3Q4T016/XEF	1	P214	DG96-00037F	ASSY BRACKET UPPER; BT620FQPST,-,-,NO PIP	SA	1
19-1	DG96-00037F	2	M013	DG61-00192A	BRACKET-AIR-GUIDE; BT62FQBPST,ALCOAT,T0.6	SA	1
19-2	DG96-00037F	2	M003	DG61-00191B	BRACKET-UPPER; BF62CBST(SINGLE),SGCD1(GA)	SNA	1

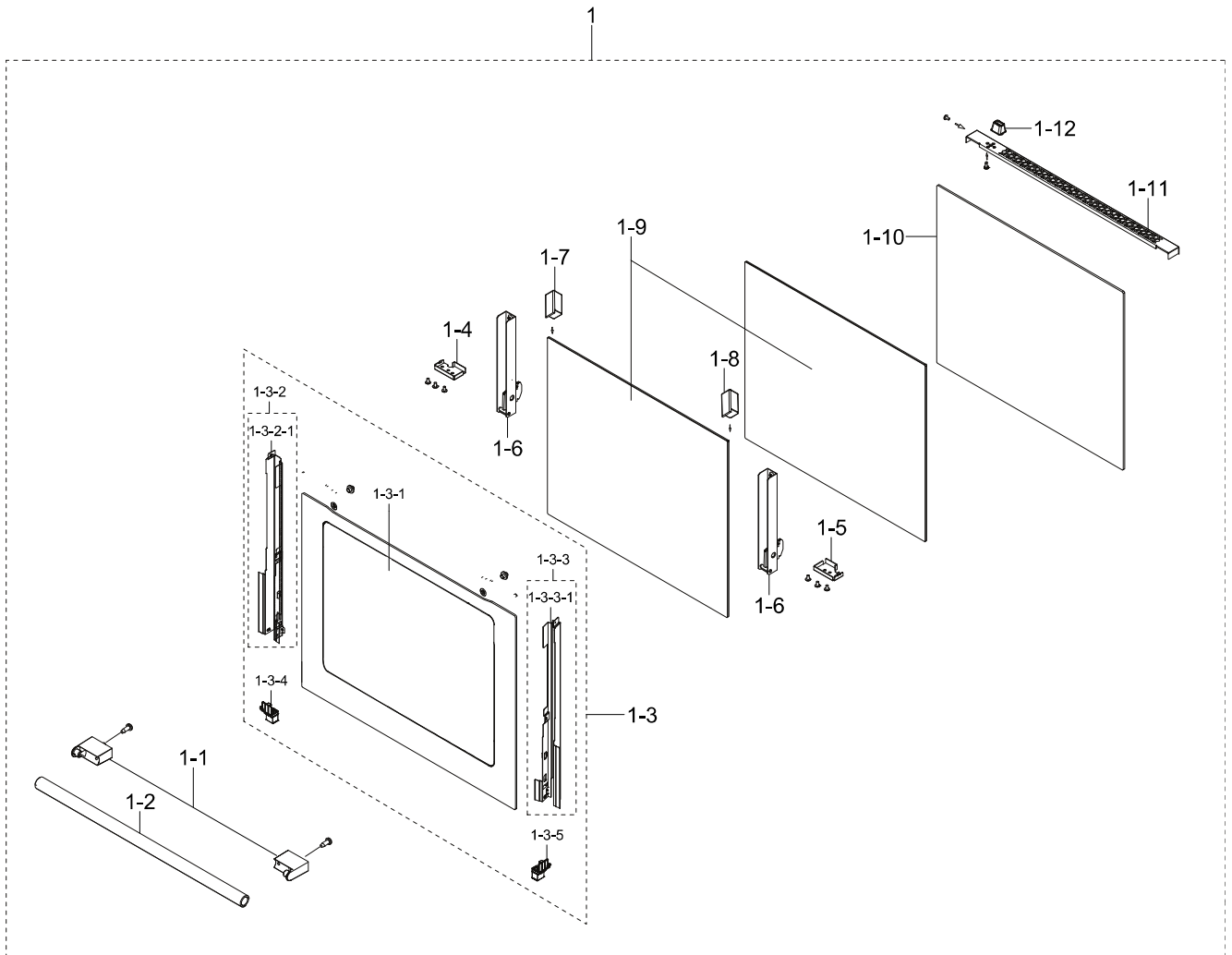
No.	Parent	Lvl.	Loc.	Material Code	Description & Specification	SNA	Qty.
20	BQ3Q4T016/XEF	1	M258	DG96-00005C	ASSY MOTOR-COOLING; BT62FQBPST,-,-,-,PYRO	SA	1
20-1	DG96-00005C	2	M260	DG61-00056A	SUPPORT-MOTOR COOLING; BT63BSST,PA66+GF15	SA	1
20-2	DG96-00005C	2	M261	DG67-00017A	FAN-COOLING; BT62FQBPST,NYLON#66,NYLON#66	SA	1
20-3	DG97-00014F	2	H008	DE60-40026A	WASHER-PLAIN; -,STS 304,OD12,T1.0,T1.0,-,	SNA	1
20-4	DG96-00005C	2	H024	DE60-30016A	NUT-FLANGE; -,-,MSWR10,-,-,-,-,-	SA	3
20-5	DG96-00005C	2	M302	DG31-00001C	MOTOR BLOWER; SMV-610PEA,BT65FQPST,50Hz,2	SA	1
21	DG98-01005D	2	T111	DG63-00011A	TRAY-BAKING B; BT63BSST,SPP,T0.6,W660,L47	SA	1
23	BQ3Q4T016/XEF	1		DG97-00018L	ASSY COVER ADIABATIC-REAR; BT62FQBPST,-,-	SNA	1
23-1	DG97-00018L	2	H106	DG31-00002A	MOTOR CONVECTION; SMC-620EA,OVEN,50Hz,230	SA	1
23-2	DG97-00018L	2	H107	DG31-00002B	MOTOR CONVECTION; SMC-620EA-1,OVEN,50Hz,2	SA	1
23-3	DG97-00018L	2	M253	DG96-00015A	ASSY COVER ADIABATIC-REAR SUB; BT63BSST,-	SA	1
23-4	DG97-00018L	2	G005	DG65-00002A	TERMINAL BLOCK; BT63BSST,PA66,6 sqmm,BROW	SA	1
23-5	DG97-00018L	2	M032	DG47-00010B	THERMOSTAT; NT-103NC,250V,15A,1205,0,25	SA	2
23-6	DG97-00018L	2	H111	DE61-50490A	BRACKET-TCO; -,SECC1,T0.6,34,58,-,-	SA	2
24	BQ3Q4T016/XEF	1	P186	DG63-00009B	COVER-BACK; BT62FQBPST,GI,T0.5,W630,L625,	SA	1
25	BQ3Q4T016/XEF	1	H050	DG61-00031A	BRACKET-AS COVER; BT63BSST,GI,T0.6,W180,L	SA	1
27	BQ3Q4T016/XEF	1	W006	DG96-00044B	ASSY WIRE HARNESS-E; DX6211KUU,230V/50Hz,	SA	1
40	BQ3Q4T016/XEF	1	M370	DG63-00095A	GASKET-DOOR; BT62FQBPST,FIBER GLASS,FIBER	SA	1
41	BQ3Q4T016/XEF	1	H052	DG61-00053B	CASE-UPPER B; BT63BSST,GI,T0.5,W567.6,L22	SA	1
42	BQ3Q4T016/XEF	1	M300	DG32-00004A	THERMISTOR-SENSOR; PT-SENSOR	SA	2
46	BQ3Q4T016/XEF	1	D205	DG64-00291A	DOOR-GUTTER; BT62FQBPST/XEF,GA,T0.6,W17,L	SA	1
48	BQ3Q4T016/XEF	1	D120	DG97-00100A	ASSY-DOOR LOCK; -,BT62FQBPST,-	SA	1
49	BQ3Q4T016/XEF	1	P284	DG66-00012A	WIRE-HANDLE; BT62FQBPST,MSWR,5	SA	2
50	BQ3Q4T016/XEF	1	M392	DG63-00086B	COVER-FAN-COOLING; BT62FQBPST,ALSTAR,T0.6	SA	1
51	BQ3Q4T016/XEF	1	M294	DG61-00255A	SUPPORT-HINGE LEFT; JM PYROLYTIC,GI,T1.6,	SA	1

Exploded Views and Parts List

No.	Parent	Lvl.	Loc.	Material Code	Description & Specification	SNA	Qty.
52	BQ3Q4T016/XEF	1	M262	6031-001545	WASHER-SPRING; STS430,ID5,OD11.8,T0.3,Dar	SA	4
53	BQ3Q4T016/XEF	1	M293	DG61-00256A	SUPPORT-HINGE RIGHT; JM PYROLYTIC,GI,T1.6	SA	1
54	BQ3Q4T016/XEF	1	M224	DG47-00007A	HEATER-BOTTOM; SHB-BT63E,E-OVEN,SUS309,11	SA	1
55	BQ3Q4T016/XEF	1	M389	DG62-00026A	ADIABATIC-HEATER; BT65FQBPST,CERAMIC WOOL	SNA	2
56	BQ3Q4T016/XEF	1		DG61-00193B	BRACKET-COOLING-GUIDE; DX6211K,GA,T0.8,W4	SA	1
57	BQ3Q4T016/XEF	1	H123	DG94-00328A	ASSY CASE-R; GF94TN001,Cooker	SA	1
57-1	DG94-00328A	2	H053	DG61-00054B	CASE-RIGHT; BT62FQBPST,GI,T0.6,W600,L529,	SA	1
58	DG98-01005D	2	T030	DG59-00001A	RACK-WIRE; BT63BSST,MSWR,W461, L352,SNC2	SA	1
59	BQ3Q4T016/XEF	1	H024	DE60-30016A	NUT-FLANGE; -,MSWR10,-,-,-,-,-	SA	2
60	BQ3Q4T016/XEF	1	M268	DG73-00002A	RUBBER-CUSHION; BT63BSST,SILICON RUBBER,D	SA	2
61	BQ3Q4T016/XEF	1		DG61-00405A	HOLDER-CABLE; DX6292K,PA6,WHT	SA	1
62	BQ3Q4T016/XEF	1	U025	DG97-00104B	ASSY-FILLER BOTTOM; BT65FQBPST	SA	1
63	BQ3Q4T016/XEF	1	P280	DG63-00083A	COVER-ADIABATIC LOWER; BT62FQBPST,GI,T0.5	SA	1
64	BQ3Q4T016/XEF	1	B034	DG97-00015C	ASSY-PARTITION; BTS14D4T,-,MANUAL-GUIDE	SA	1
64-1	DG97-00015C	2	B039	DG67-00013A	PARTITION-UPPER; BT63BSST,SPP,T0.8,W500,L	SA	1

2. Assy Door

Exploded View



Parts List

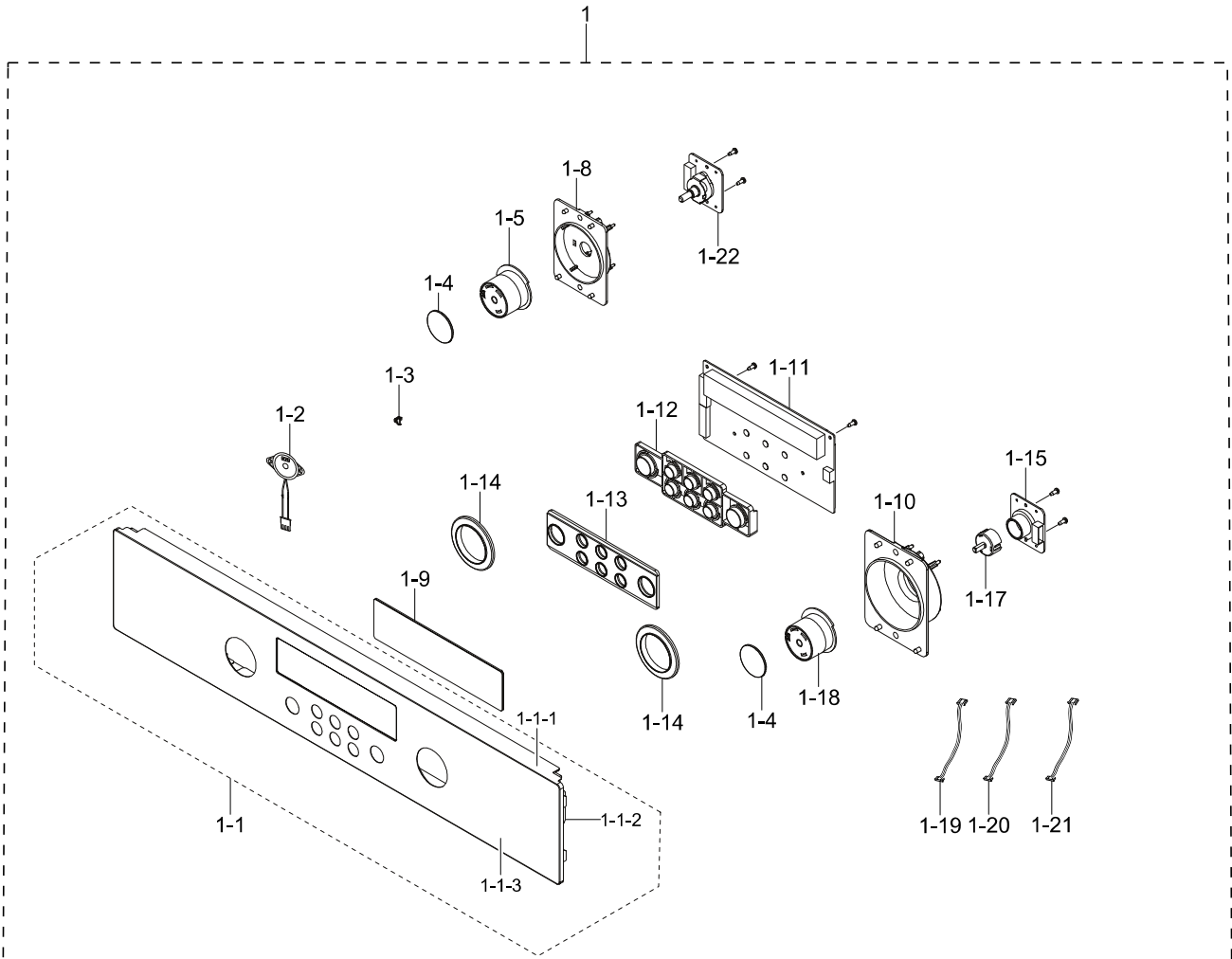
No.	Parent	Lvl.	Loc.	Material Code	Description & Specification	SNA	Qty.
1	BQ3Q4T016/XEF	1	D049	DG94-00076H	ASSY DOOR; BT620FQPST, GLASS, DOOR GUTTER,	SA	1
1-1	DG94-00076H	2	D026	DG63-00025B	COVER-HANDLE; BT62FQBPST, PC(LEXAN 141R), P	SA	2
1-2	DG94-00076H	2	D019	DG64-00015A	HANDLE DOOR; BF62CBST, AL, -, -, -, -, ANODIZ	SA	1
1-3	DG94-00076H	2	D015	DG94-00075C	ASSY DOOR SUB; BT620FQPST, -, -, D-2 Pyrolyt	SA	1
1-3-1	DG94-00075C	3	D146	DG64-00138C	GLASS-DOOR OUTER; CLASSIC2, GLASS, T4.0, BLK	SNA	1
1-3-2	DG94-00075C	3	D154	DG96-00056A	ASSY-FRAME DOOR LEFT; BT65FQBPST, -, -	SNA	1

Exploded Views and Parts List

No.	Parent	Lvl.	Loc.	Material Code	Description & Specification	SNA	Qty.
1-3-2	DG96-00056A	4	D115	DG61-00243A	FRAME-DOOR LEFT; BT65FQBPST,GA,-,-,BLK CO	SNA	1
1-3-3	DG94-00075C	3		DG96-00057A	ASSY-FRAME DOOR RIGHT; BT65FQBPST,-,-	SNA	1
1-3-3	DG96-00057A	4	D114	DG61-00244A	FRAME-DOOR RIGHT; BT65FQBPST,GA,-,-,BLK C	SNA	1
1-3-4	DG94-00075C	3	D152	DG61-00231A	SUPPORT-FRAME LEFT; JM PYROLYTIC,PBT+PET,	SNA	1
1-3-5	DG94-00075C	3	D153	DG61-00232A	SUPPORT-FRAME RIGHT; JM PYROLYTIC,PBT+PET	SNA	1
1-4	DG94-00076H	2	D105	DG63-00115A	COVER-HINGE RIGHT; JM PYROLYTIC,GA,T1.0,-	SA	1
1-5	DG94-00076H	2	D106	DG63-00116A	COVER-HINGE LEFT; JM PYROLYTIC,GA,T1.0,-,	SA	1
1-6	DG94-00076H	2	V002	DG97-00023C	ASSY HINGE; BT63ASSTR,-,-,BRERA,GLASS-4	SA	2
1-7	DG94-00076H	2	P420	DG61-00350A	HOLDER-GLASS RUBBER R; BQ2Q7G069,SILICON	SA	1
1-8	DG94-00076H	2	P421	DG61-00351A	HOLDER-GLASS RUBBER L; BQ2Q7G069,SILICON	SA	1
1-9	DG94-00076H	2	D109	DG64-00154B	GLASS-DOOR MIDDLE; BT62FQBPST,HEATING REF	SA	2
1-10	DG94-00076H	2	D110	DG64-00155A	GLASS-DOOR INNER; JM PYROLYTIC,HEATING RE	SA	1
1-11	DG94-00076H	2	D113	DG67-00027C	DUCT-DOOR COVER; ATAG Pyrolytic,GA,T1.0,B	SA	1
1-12	DG94-00076H	2	D151	DG61-00254A	HOLDER-DOOR LOCK; BT65FQBPST,NYLON #66,-,	SA	1

3. Assy Control

Exploded View



Parts List

No.	Lvl.	Loc.	Material Code	Description & Specification	SNA	Qty.
1	1	C082	DG94-00036U	ASSY CONTROL BOX; BQ3Q4T016/XEF,230V50Hz,	SNA	1
1-1	2	C001	DG94-00037E	ASSY CONTROL PANEL; BT620FQPST,-,-,D-2 Py	SA	1
1-1-1	3	C133	DG64-00069C	CHASSIS-PANEL; BT62FQBPST,STAINLESS-STS43	SNA	1
1-1-2	3	C074	DG61-00252A	BRACKET-PANEL; DELUXE2-PYROLYTIC,GI-SGCC,	SNA	1
1-1-3	3	C061	0203-001825	TAPE-DOUBLE FACE; #4660,T0.4,W10,L30000,W	SNA	1
1-2	2	C197	DE96-00686B	ASSY BUZZER; E-OVEN,KPR-G3020-450,450mm,2	SA	1

Exploded Views and Parts List

No.	Lvl.	Loc.	Material Code	Description & Specification	SNA	Qty.
1-3	2	C160	DG64-00053A	KNOB-INDICATE; HS-C427AST,ABS,HB,TEM TATIO	SNA	1
1-4	2	C191	DG67-00004A	CAP-DIAL; BT63BSST,AL,T2.0,STS SILVER,SPI	SNA	2
1-5	2	C185	DG64-00055A	KNOB-DIAL SELECT; BF64CBST,PC,CLASSIC-S/B	SNA	1
1-8	2	C186	DG63-00021A	COVER-DIAL SELECT; BF64CBSTR,PC,BLK,LEXAN	SA	1
1-9	2	C009	DG64-00073A	WINDOW-DISPLAY; BT63FDST,GLASS,T3.0,W172,	SNA	1
1-10	2	C193	DG63-00022A	COVER-DIAL ENCODER; BF64CBSTR,PC,BLK,LEXA	SA	1
1-11	2	C154	DE96-00890C	ASSY DISPLAY; BQ3Q3T073/XEC,DAM-MD METRO	SNA	1
1-12	2	C011	DG64-00070B	BUTTON-SELECT(A); BT62FQBPST,PBT,GF15,BLK	SA	1
1-13	2	C068	DG64-00071A	BUTTON-RING; PC,BLK,CLASSIC PLUS2	SA	1
1-14	2	C182	DG64-00027B	KNOB-DIAL RING; BF62FPBPST,PBT,GF15,BLK,P	SA	2
1-15	2	C179	DE96-00577A	ASSY PCB SUB; CLASSIC,BF64CBST,N,ENCODER	SNA	1
1-17	2	C192	DG61-00061A	HOLDER-ENCODER SWITCH; BT63BSST,PA66,BLK,	SA	1
1-18	2	C190	DG64-00058A	KNOB-DIAL ENCODER; BF64CBST,PC,CLASSIC-S/	SNA	1
1-19	2	W038	DG96-00199A	ASSY WIRE HARNESS-B; BQ2D7G044,230/240V;	SA	1
1-20	2	W004	DG96-00200A	ASSY WIRE HARNESS-C; BQ2D7G044,230/240V;	SA	1
1-21	2	W005	DG96-00201A	ASSY WIRE HARNESS-D; BQ2D7G044,230/240V;	SA	1
1-22	2	C319	DE96-00810A	ASSY-MODE; BF1C4T082/XEO,DAM-GEO CP MODE-	SA	1