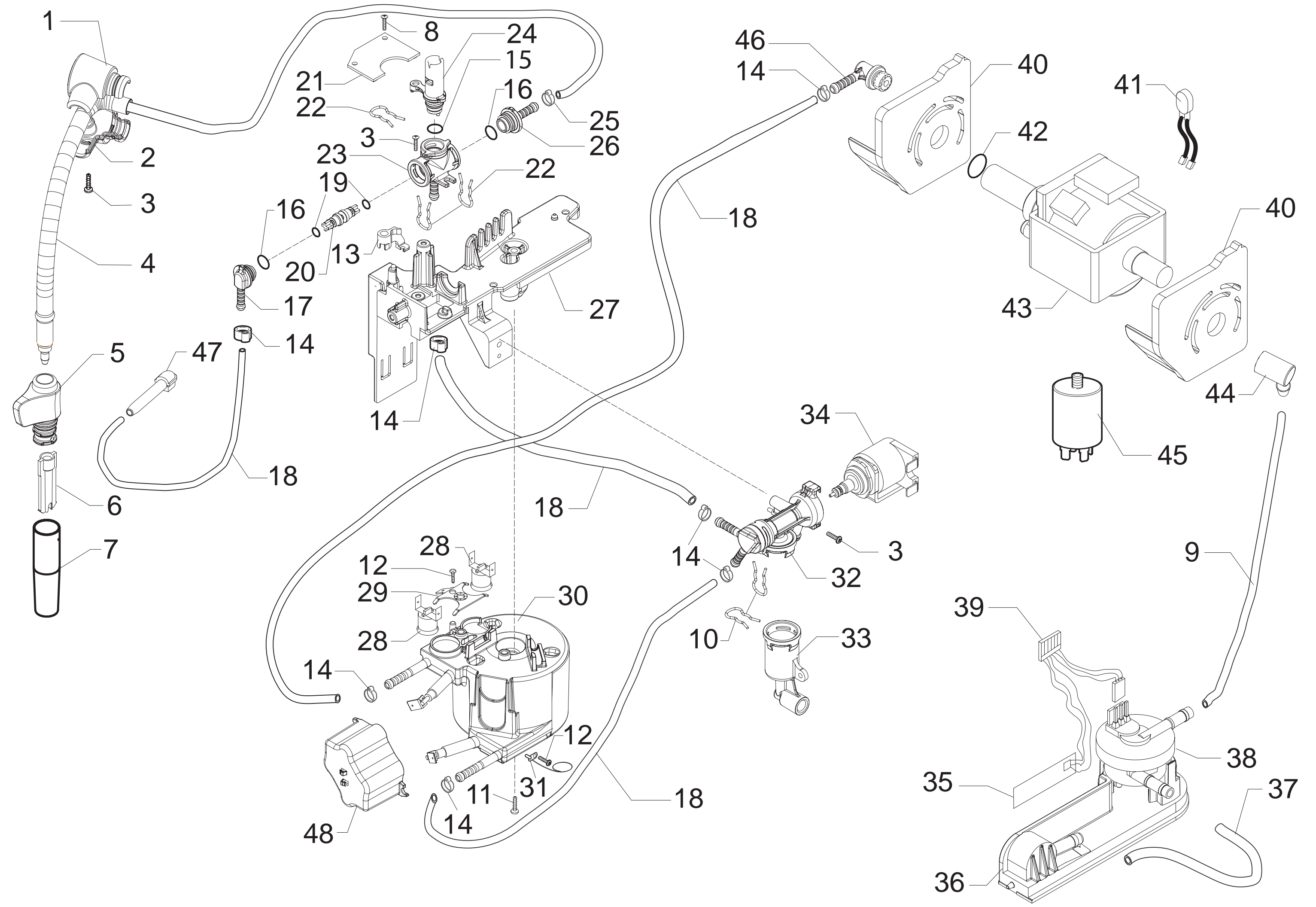


Pos	Article-Nr.	Description	Pos	Article-Nr.	Description
1	15001426	MANUAL V2 SAE P0049/B SUP031OR G	30	11009071	NAT/GREY BEAN COF.CONT.LID P0049
1	15001427	MANUAL V2 SAE P0049/B SUP031OR E	30	11001762	NATUR/GREY BEAN COFF.CONT.LID P0
1	15001428	MANUAL V2 SAE P0049/B SUP031OR D	31	11009191	BLACK POWER BOARD PROTECTION V2
2	127390100	BRUSH FOR CLEANING	32	11001360	PWR BOARD P0049/P0053 230V
3	11003785	BLACK GRINDER ADJUSTMENT KEY P00	32	11003968	PWR BOARD P0049/P0053 120V
4	11001985	BLACK POWER CABLE KOREA 3X1 L=12	33	9161.111	MAGNET FOR FLOAT SUPERAUTOM.
4	11004245	BLACK POWER CABLE BRAZIL W/CONEC	34	11008956	SS SPRING FOR LOCK DOOR G0053
4	11004246	BLACK POWER CABLE TAIWAN HVCTF L	35	11001340	BLACK DOOR PIN P0049
4	11004247	BLACK POWER CABLE RVV 3X1 CHINA	36	11004391	TITANIO DOOR P0049
4	183911050	BLACK POWER CABLE SCHUKO L=1200M	36	11004413	MATTONE DOOR P0049
4	183921950	POWER CABLE SJT3 USA BLACK UL L=	36	11004578	CARBONA DOOR P0049
4	183930650	PO.CABL.CH BLACK 3X1 H05VV-F L=1	36	11007108	BROWN DOOR P0049
4	183940650	BLACK POWER CABLE AUSTRALIA L=12	37	11009283	BLACK INSIDE COVER DOOR P0049 UL
4	183980650	BLACK POWER CABLE JAPPON VCTF L=	37	11001091	BLACK INSIDE COVER DOOR P0049
5	13000123	PS-E UPPER INSERT FOR BOX P0049	38	11004540	MATTONE ON-OFF BUTTON INSERT P00
6	13000122	PS-E LOWER INSERT FOR BOX P0049	38	11004055	TITANIO ON-OFF BUTTON INSERT P00
7	13000124	DISPLAY BOX P0049 SAECO ODEA	38	11007107	MARRON ON-OFF BUTTON INSERT P004
8	11001746	NATUR/GREY WATER CONTAINER P004	38	11004592	CARBONA ON-OFF BUTTON INSERT P00
9	224640200	EXTERNAL FILTER FOR WATER CONTAI	39	11011129	SPECCHIATO ON-OFF SWITCH BUTTON
10	140328461	EPDM OR METRIC 0190-10	40	11001437	BLACK CAP FOR CONNECTIONS P0049/
11	11003672	SPRING FOR WATER CONTAINER VALVE	41	11001339	TRANSPARENT INFRAREDS PLATE P004
12	11003673	GREY WATER CONTAINER VALVE INSER	42	NF11.084	FOLK SPRING
13	11003671	TRANSP.VALVE FOR WATER CONTAINER	43	11001624	STEAM TUBE WASHER P0049
14	11001298	BLACK LID FOR DUCKBILL VALVE P00	44	11005287	BLACK BUSH FOR STEAM KNOB
15	11001308	NATURAL/GREY WATER CONTAINER LID	45	11003154	BLACK REED SENSOR SUPPORT P0049
16	11009301	MOUNTING PLATE WITH PIN P0049 UL	46	11005044	SAECO KLUBER TRIBOSTAR SIL 2 TUB
16	11004687	MOUNTING PLATE WITH PIN P0049 PP	47	11005040	SPRING FOR ON-OFF BUTTON P0049
17	11000223	BLACK WHEEL FOR CASING BOTTOM P1	48	11003889	2POLES CONNECTOR SENSOR REED DOO
18	11011596	SPECCHIATO CASING COVER V2 P0049	49	129913202	SCREW TCB TORX 10 3X8 PLAST.ZN-B
18	11013549	SPECCHIATO CASING COVER V3 P0049	50	129661702	SCREW TCB TORX 3,5X30 PLAST.ZN-B
19	11004372	SILVER WATER-STEAM KNOB P0049	51	11006567	LWR INSULATE SHEET PWR ELECT.BOA
20	11004142	SILVER PLATE LOGO SAECO NEW P004	52	11007234	UPP.INSULATE SHEET PWR ELECT.BOA
21	11004908	BLACK PLATE WITH LOGO ODEA P0049	53	20006675	KIT SPARES FOR PACKAGING V3 P004
21	11004909	BLACK PLATE W/LOGO ODEA P0049 GI			
22	11007103	BROWN RIGHT SIDE CASING P0049			
22	11004389	TITANIO RIGHT SIDE CASING P0049			
22	11004411	MATTONE RIGHT SIDE CASING P0049			
22	11004575	CARBONA RIGHT SIDE CASING P0049			
23	11004576	CARBONA LEFT SIDE CASING P0049			
23	11004412	MATTONE LEFT SIDE CASING P0049			
23	11004390	TITANIO LEFT SIDE CASING P0049			
23	11007104	BROWN LEFT SIDE CASING P0049			
24	11003533	BLACK DUMP BOX P0049 ASSY.			
25	11004392	TITANIO DRIP TRAY COFFEE UNIT P0			
25	11004414	MATTONE DRIP TRAY COFFEE UNIT P0			
25	11007105	BROWN DRIP TRAY COFFEE UNIT P004			
25	11004579	CARBONA DRIP TRAY COFFEE UNIT P0			
26	12000280	CUP SOCKET EN 60320 C 13			
27	11007060	GENERAL SWITCH FOR P124			
28	11007106	MARRON WATER TANK OUTLET COVER P			
28	11004591	CARBONA WATER TANK OUTLET COVER			

**E74106****SUP031OR**

Pos	Article-Nr.	Description
28	11004415	MATTONE WATER TANK OUTLET COVER
28	11004393	TITANIO WATER TANK OUTLET COVER
29	11011355	TRANSPAR.BEAN CONTAINER V2 P0049

Pos	Article-Nr.	Description
-----	-------------	-------------

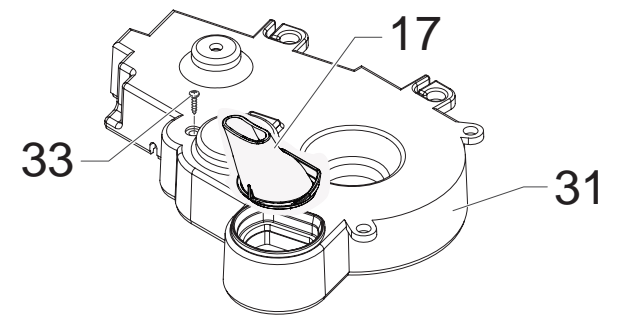
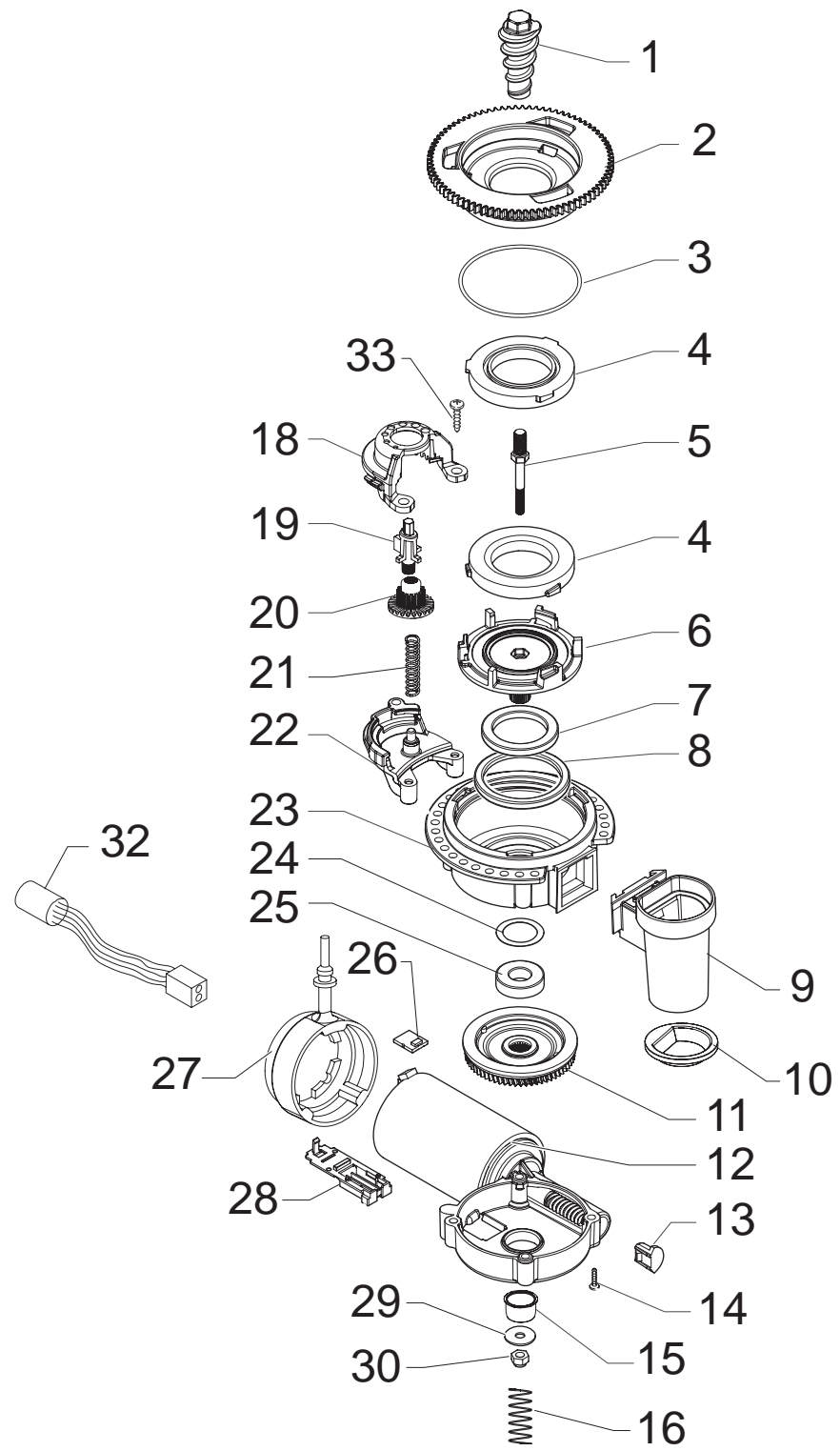


Pos	Article-Nr.	Description	Pos	Article-Nr.	Description
1	11004196	CHROMED UPPER STEAM TUBE COVER P	43	12000142	ULKA PUMP EAP5/S 120V-60HZ
2	11004197	CHROMED LOWER STEAM TUBE COVER P	43	12000167	ULKA PUMP EP5/S GW 240V-50HZ
3	129913902	SCREW TCB TORX 10 3X12 PLAST.ZN-	43	12000182	ULKA PUMP EP5/S GW 220V-60HZ
4	11022486	TF/CHROM.STEAM TUBE V2 P0049/P00	44	147920150	90° INLET CONNECTOR PUMP
4	11003122	ST.STEEL STEAM TUBE P0049 ASSY.	45	12000005	ANTIDISTURB FILTER 10A FNC 10054
5	11001625	BLACK STEAM TUBE HANDGRIP P0049	45	12000007	QUICK-LOCK ANTIDISTURB FILTER 16
6	11001620	BLACK PANNARELLO INTERNAL TUBE P	45	12001363	
7	11001769	BLACK PANNARELLO COVER P0049	46	11001054	90°CONNECTOR PUMP OUTLET P0049/B
8	129913202	SCREW TCB TORX 10 3X8 PLAST.ZN-B	47	11001630	MILK ISLAND DESCARGING WATER CON
9	149360200	SILICONE TUBE 5X8 70SR IN ROLL	48	11005284	BLACKBOILER CONNECTORS COVER P00
10	11005096	FORK SPRING FOR VALVE P0049	49	140321861	OR 2025 IN EPDM
11	129932502	SCREW TSP 5X30 PLAST.ZN-B	100	11005604	BLOWDOWN VALVE P0049 120V ASSY.
12	129573202	SCREW TCB TORX 20 M4X8 AUTOFORMI	100	11008698	TEA/BRASS FAUCET P0049-P0053 ASS
13	11008876	BRASS FAUCET BLOCK INSERT P0049/	100	11009021	BLOWDOWN VALVE P0049 220V-60HZ A
14	12000892	OETIKER CLAMP D=9,5 16700004	100	11009110	ALUM.BOILER P0049/C 220V-60HZ AS
15	140321861	OR 2025 IN EPDM	100	11002031	ALUM.BOILER P0049/C 230V ASSY.
15	12000413	TECNOFIX CLAMP D=8,6 FX65080	100	11001543	BLOWDOWN VALVE P0049 230V ASSY.
16	12000931	OR 108 IN EPDM FDA 70 SH			
17	11001544	BLACK FAUCET CONNECTOR P0049			
18	16000380	5X8,9 SILICONE TUBE IN ROLL			
19	12000890	OR 2012 IN EPDM FDA 70 SH SV			
20	11004134	TEA/BRASS FAUCET SHAFT P0049			
21	11007569	TAP ELECTRONIC CARD G0053 ASSY.			
21	20000653	KIT SPARES CPU P0049 + FAUCET BO			
22	11001499	FORK SPRING FOR FAUCET P0049			
23	11004625	TEA/BRASS FAUCET CASING P0049			
24	11004135	PLAST/BRASS FAUCET SHAFT P0049 A			
25	NF11.052	OETIKER CLIP			
26	11001546	BLACK FAUCET STRAIGHT CONNECTOR			
27	11001332	BLACK BOILER-FAUCET-VALVE SUPPOR			
28	189428600	THERMOSTAT 175° 1NT-08L-5125			
29	11001751	THERMOSTATES SPRING FOR BOILER			
30	11011341	V4 TUB.BOILER 1300W 230V ASSY.			
30	11011342	V4 TUB.BOILER 1300W 120V ASSY.			
30	11011343				
31	190800100	TEMPERATURE SENSOR NTC UL L=280M			
32	20000591	BLOWDOWN VALVE CASING P0049 ASSY			
33	20000592	BLOWDOWN VALVE CONNECTOR P0049 A			
34	20000590	BLOWDOWN VALVE COIL P0049 230V A			
34	20000680	BLOWDOWN VALVE COIL P0049 120V A			
34	20000681	BLOWDOWN VALVE COIL P0049 100V A			
34	20000920	BLOWDOWN VALVE COIL P0049 220V-6			
35	11000651	WATER LEVEL SENSOR BOARD P124			
36	11003670	BLACK TURBINE SUPPORT V2 P0049			
37	JS01.022	SILICONE TUBE 5X10 60 SHORE IN R			
38	12000781	TURBINE D=1,2 932-8521/90 ASSY.			
39	11001790	6POLES CONNECTOR LEVEL+FLOWMETER			
39	11005648	6 POLES CONNECT.LEVEL+FLOWMETER			
40	11006296	BLACK PUMP SUPPORT P0049 ASSY.			
41	11005668	2POLES CONNECTOR PUMP P0049 UL			
41	11001778	2POLES CONNECTOR PUMP P0049			

# E74106

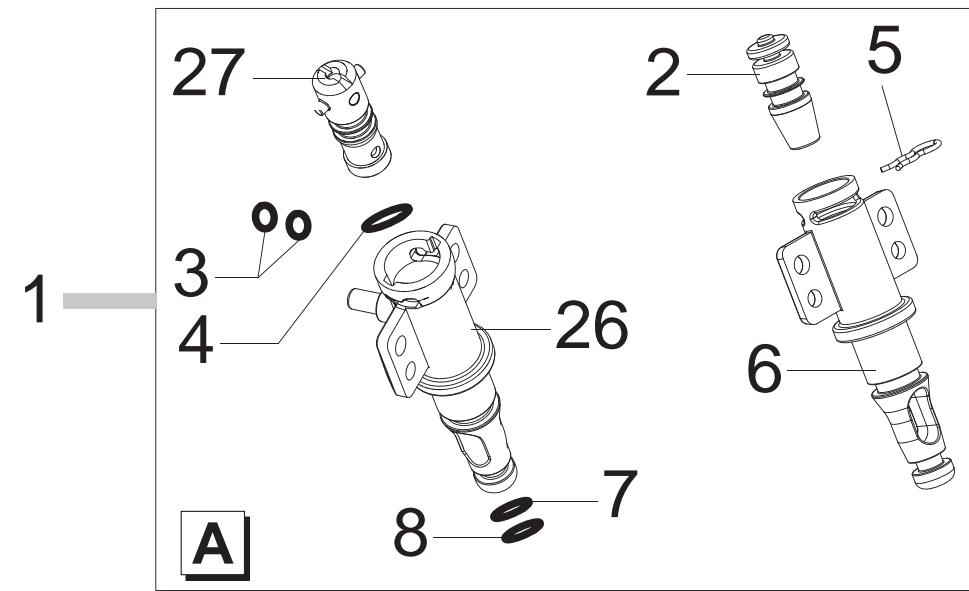
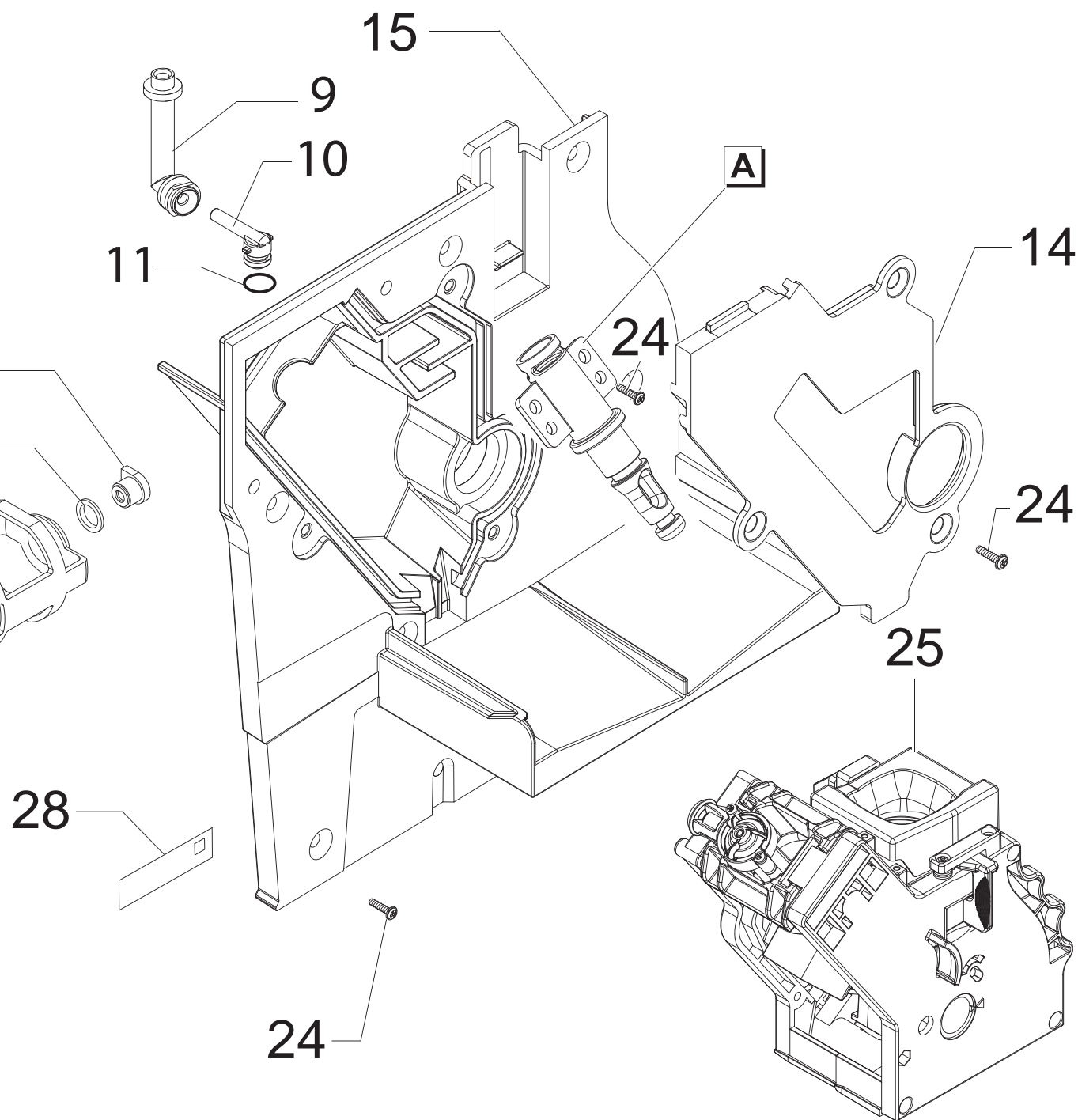
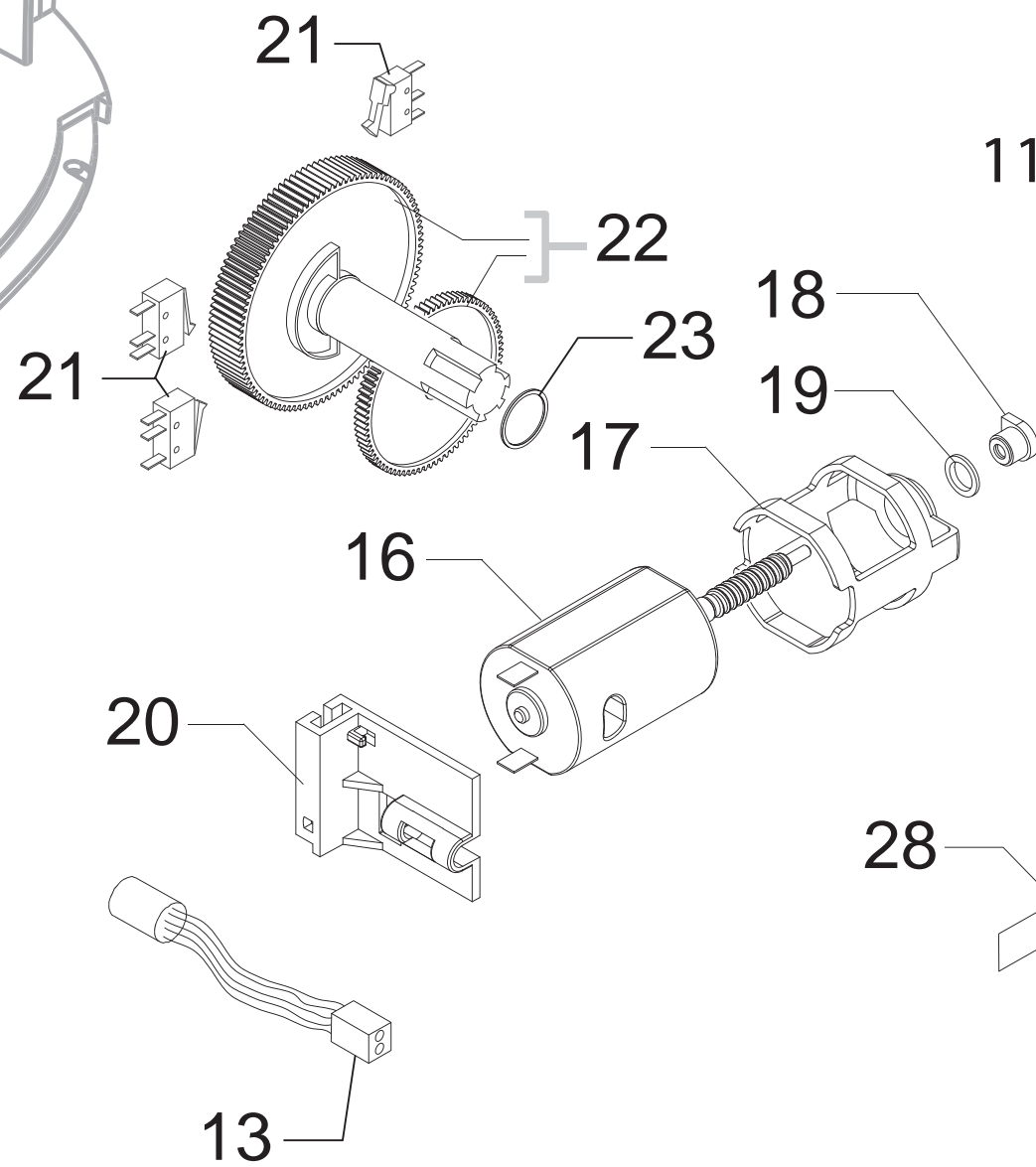
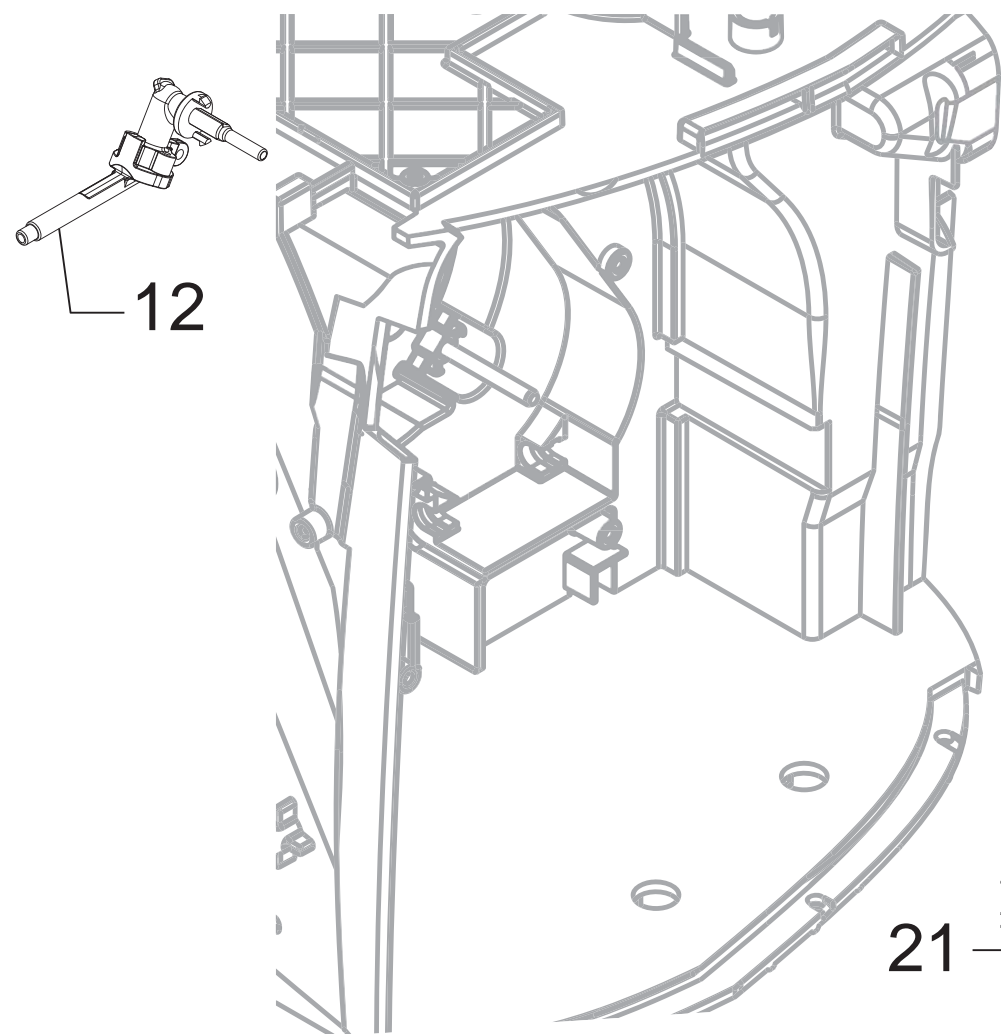
# SUP031OR

Pos	Article-Nr.	Description	Pos	Article-Nr.	Description
42	140321961	OR 2031 IN TERMOIL			
43	12000130	ULKA PUMP EP5/S GW 100V-50/60HZ			
43	12000140	ULKA PUMP EP5/S GW 230V-50HZ			



Pos	Article-Nr.	Description	Pos	Article-Nr.	Description
1	11011205	TEA/ZAMA INCREASE SCREW GRINDER			
1	9141.001	BRASS NCREMENT SCREW MC			
2	149198250	UPPER GRINDER SUPPORT COFFEEGRIN			
3	140328960	NBR FDA OR METRIC 0530-15			
4	146520100	BAKED CLAY GRINDER 48X28			
5	127473603	STEEL PIN M4-M6 FOR INCREMENT SC			
5	129574802	SCREW TCB TORX 20 M4X30 ZN-B			
6	149198350	LOWER GRINDER SUPPORT COFFEEGRIN			
7	123030300	AXIAL BEARING EKKO 342.35252			
8	140360500	FELT RING 45,4X39,4X4			
9	11012564	GROUND COFFEE OUTLET CONVEYOR V2			
10	145854462	GROUND COFFEE CONT.SEAL LOWER SM			
11	226000300	GEAR SX Z=38 FOR GRINDER MOTION			
12	11000511	MOTOR COFFEEGRINDER/V3.1 120V AS			
12	11000512	MOTOR COFFEEGRINDER/V3.1 100V AS			
12	11000513	MOTOR COFFEEGRINDER/V3.1 230V AS			
13	149214800	CAP FOR WORM SCREW MC/V3 CENTRIN			
14	129661702	SCREW TCB TORX 3,5X30 PLAST.ZN-B			
15	11002873	INSULATOR BUSH FOR GRINDER MOTOR			
16	11000597	COFFEE GRINDER SUPPORT SPRING P1			
17	11004199	BLACK CONDENSE CONVEYOR P0049			
17	129660102	PANELVIT TCB SCREW 3,5X18 D.750			
18	11002508	UPPER GEAR SUPPORT COFFEEGRINDER			
19	11003446	BLACK INSERT FOR COFFEE GRINDER			
20	11003784	COFFEE GRINDING ADJUSTMENT GEAR			
21	11002572	GRINDER REGULATION SPRING P124			
22	11002613	LOWER GEAR SUPPORT COFFEEGRINDER			
23	142905450	UPPER BODY WITH COFFE.GROUND OUT			
24	128381800	CRINKLE WASHER 21,8X15,8X0,2			
25	123030200	RADIAL BEARING 61900.2RS1			
26	181540900	ELECTRONIC BOARD WITH SENSOR HAL			
27	11001367	BLACK COFFEE GRINDER SUPPORT P00			
28	149199050	SENSOR SUPPORT FOR COFF.GRIND.MO			
29	128381902	GALVAN.FLAT WASH.DI=4,3 DE=14 SP			
30	123453102	SELF LOCK NUT M4 DIN 982 HIGH GA			
30	128310402	GALV.WASHER UNI 8842 A4			
31	11001826	SOUNDPROOFING COVER FOR COFGRIND			
32	11003449	5POLES CONNECTOR MC SENSORS P004			
32	11005658	5POLES CONNECTOR MC SENSORS P004			
33	129914002	SCREW TCB TORX 10 3,5X16 PLAST.Z			
34	11004199	BLACK CONDENSE CONVEYOR P0049			
100	11007416	GENERAL MOTOR MC V2 P0049 230V A			
100	11007417	GENERAL MOTOR MC V2 P0049 120V A			
100	11007418	GENERAL MOTOR MC V2 P0049 100V A			





Pos	Article-Nr.	Description	Pos	Article-Nr.	Description
1	11005113	PIN V2 FOR BOILER P049/B ASSY.			
2	11000692	NIKELED BRASS CAP FOR PIN BOILER			
3	140328059	OR 2015 IN SILICONE PTFE/FDA			
4	140324459	OR ORM 0060-20 IN SILICONE PTFE/			
5	9011.144	SS FORK FOR TUBE D.4			
7	NM01.035	OR ORM 0090-20 SILICONE			
8	NM01.057	OR ORM 0050-20 IN SILICONE			
9	11004086	VALVE DESCARGING WATER 90° CONNE			
10	11003648	COVER DESCARGING WATER 90° CONNE			
11	140325462	OR METRIC 0070-20 IN SILICONE			
12	11010544	V4 COFFEE DISPENSING VALVE P0049			
12	11007647	V3 COFFEE DISPENSING VALVE P0049			
12	11003468	COFFEE DISPENSING VALVE P0049 AS			
13	11003661	REED SENSOR MK3-1A66-BV16451			
14	11009284	BLACK COVER FOR VAIN BOILER P004			
14	11001312	BLACK COVER FOR VAIN BOILER P004			
15	11009287	BLACK COVER MOUNTING PLATE P0049			
15	11006337	BLACK COVER MOUNTING PLATE P0049			
16	11003037	MOTOR FOR RATIOMOTOR ASSY.			
17	9121.044	ANTIVIBRATION FOR MOTOR			
18	9121.046	SINTERED BUSH FOR MOTOR			
19	148380200	WASHER BAKELIZZATE D=5,5			
20	11001331	BLACK MICROSWITCH SUPPORT DUMP B			
21	NE05.038	MICROSWITCH			
22	20000455	SPARES KIT GEARS FOR RATIOMOTOR			
22	20000900	SPARES KIT GEARS FOR RATIOMOTOR			
23	9161.132	MYLAR WASHER FOR RATIOMOTOR			
24	129914102	SCREW TSP TORX 10 3,5X12 PLAST.Z			
25	11012382	BLACK BREW UNIT 8GR.5BAR P0057			
25	11002145	BLACK BREW UNIT 8GR/SBS P124			
26	11003801	NATURAL PIN V2 FOR BOILER P119			
27	11003820	CAP V2 FOR PIN BOILER P119			
28	11000651	WATER LEVEL SENSOR BOARD P124			
28	129661902	TCB SCREW 3,5X18 PLASTITE 45°			
29	11000651	WATER LEVEL SENSOR BOARD P124			