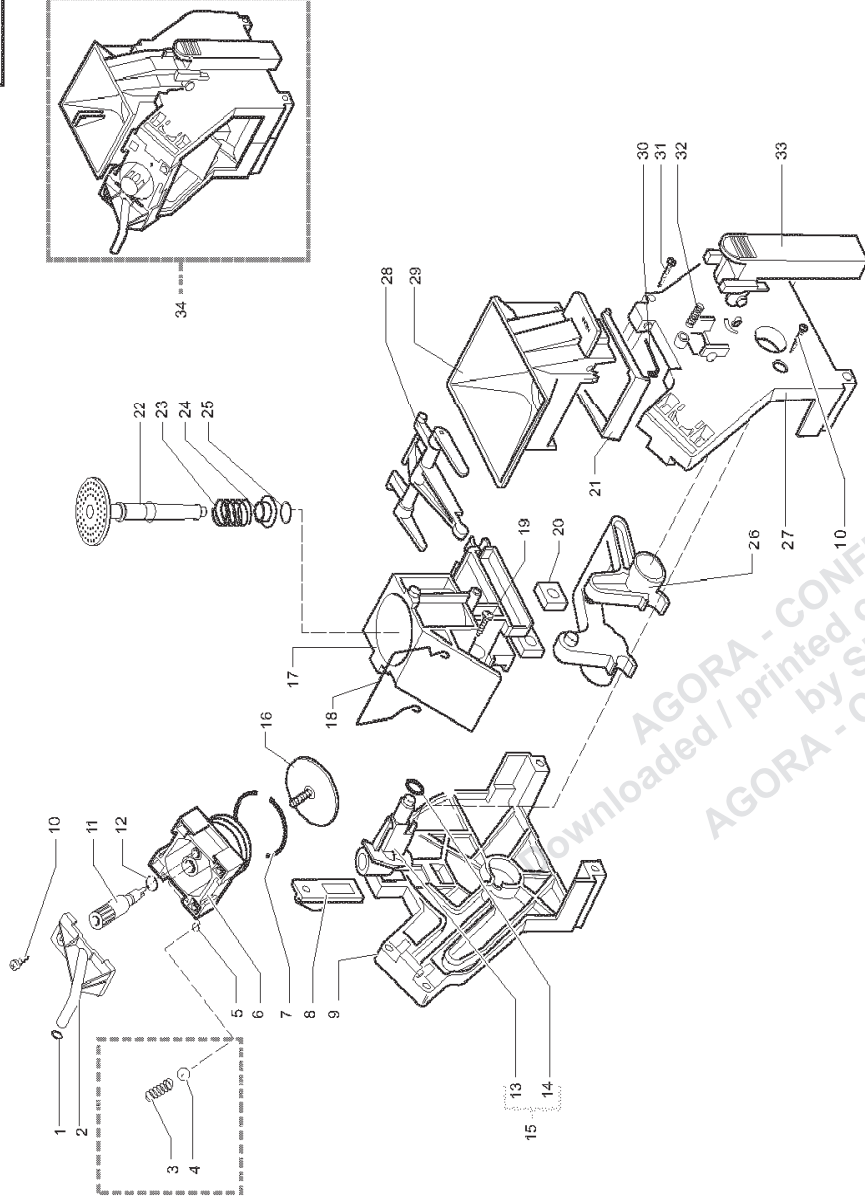


Esp. E90049



GRUPPO CAFFÈ' MAGIC-ROYAL NEW



Cod. 11004180

POS	CODICE	DESCRIZIONE	NOTE	POS	CODE	DESCRIPTION	NOTE
01	NM02.017	OR ORM 0055-15 TERMOIL		01	NM02.017	OR ORM 0055-15 TERMOIL	
02	11003797	MANICOTTO USCITA CAF. GRUPPO MAGIC NERO		02	11003797	BLACK COFFEE OUTLET SLEEVE	
03	9161.222	MOLLA CONICA		03	9161.222	CONICAL SPRING	
04	9991.168	SFERA IN VETRO D.5 MM		04	9991.168	GLASS SPHERE D.5MM	
05	NM02.013	OR ORM 0080-15 TERMOIL		05	NM02.013	OR ORM 0080-15 TERMOIL	
06	11003796	CONTROPISTONE X GRUPPO CAFFÈ NERO		06	11003796	BLACK COUNTERPISTON FOR COFFEE UNIT	
07	NM01.044	OR ORM 0320-40 SILICONE PTFEFDA		07	NM01.044	OR ORM 0320-40 SILICONE PTFEFDA	
08	11004114	PIASTRINA X AGGANCIO GRUPPO CAFFÈ NERO		08	11004114	BLACK PLATE FOR UNIT COUPLING	
09	11003792	PIASTRA POSTERIORE GRUPPO CAFFÈ NERO		09	11003792	BLACK REAR PLATE FOR UNIT	
10	U140.019	PANEL VITTCB 3,0X16 DIN 7505 B INOX		10	U140.019	PANEL VITTCB 3,0X16 DIN 7505 B SS	
11	227470150	AS. PIERNO X DOCCIA COMPLETO NERO	CON PART. N°12	11	227470150	PIN BLACK ASS. FOR PERCOLATOR	WITH PART. N°12
12	NM02.006	OR R5 TERMOIL		12	NM02.006	OR R5 TERMOIL	
13	9161.064.050	MANICOTTO ENTRATA ACQUA NERO		13	9161.064.050	WATER INLET SLEEVE BLACK	
14	NM02.007	OR 2025 IN TERMOIL		14	NM02.007	OR 2025 IN TERMOIL	
15	20000440	GRUPPO RICAMBIO MANICOTTO NERO		15	20000440	BLACK SPARE SLEEVE UNIT	
16	11001458	DOCCIA INTEGRALE DE=35,8 CON VITE M3X20		16	11001458	PERCOLATOR DE=35,8 WITH SCREW M3x20	
17	11003075	AS. CONT. CAF. C/BOCC. S.ALD. GRUPP P124 8G. NER	CON PART. N°25	17	11003075	COFF. CONT. WITH BEAR FOR BREW UNIT P124	WITH PART. N°25
18	11001556	MOLLA RASATORE H=49 X GRUPPO CAF. SMART		18	11001556	SPRING H=49 FOR COFFEE BREW UNIT SMART	
19	U109.013	VITE AUT.TCB 3,5X13 DIN 7981 C NIK		19	U109.013	SCREW AUT.TCB 3,5X13 DIN 7981 C	
20	9161.094.050	BLOCCHEITTO FORATO X GRUPPO NERO		20	9161.094.050	DRILLED BLACK BLOCK FOR UNIT	
21	11004161	RASATORE X GRUPPO CAFFÈ NERO		21	11004161	BLACK SCRAPER FOR COFFEE UNIT	
22	11003077	AS. PISTONE INTEGRALE GRUPP P124 8GR. NERO		22	11003077	BLACK INTEGRAL PISTON UNIT P124 8GR. ASS	
23	9161.198	MOLLA X PISTONE		23	9161.198	SPRING FOR PISTON	
24	9161.191	BOCCELLA X PISTONE NEUTRO		24	9161.191	BUSH FOR PISTON NEUTRAL	
25	NM02.018	OR METRICO 0090-25 IN TERMOIL		25	NM02.018	OR ORM 0090-25 TERMOIL	
26	9161.066.050	ALBERO A GOMITO X GRUPPO NERO		26	9161.066.050	ELBOW SHAFT FOR UNIT BLACK	
27	11003793	PIASTRA ANTERIORE GRUPPO CAFFÈ NERO		27	11003793	BLACK FRONT PLATE FOR UNIT	
28	11003078	BIELLA X GRUPPO P124 8GR. NERA		28	11003078	BLACK CONNECTING ROD FOR UNIT P124 8GR.	
29	11003795	TRAMOGGIA X GRUPPO CAF. NERA SER. PRESS		29	11003795	BLACK HOPPER FOR PRESS UNIT	
30	9161.046	MOLLA X RASATORE GRUPPO		30	9161.046	SPRING FOR UNIT SCRAPER	
31	U109.026	VITE AUT.TCB 3,5X19 DIN 7981 C INOX		31	U109.026	SS SCREW AUT.TCB 3,5X19 DIN 7981 C	
32	9161.045	MOLLA X IMPUGNATURA GRUPPO		32	9161.045	SPRING FOR UNIT HANDGRIP	
33	11003791	IMPUGNATURA X GRUPPO CAFFÈ NERA		33	11003791	BLACK HANDGRIP FOR COFFEE UNIT	
34	11004180	GRUPPO CAFFÈ MAGIC-ROYAL NEW NERO		34	11004180	BLACK BREW UNIT NEW MAGIC-ROYAL	



GRUPPO CAFFÈ' MAGIC-ROYAL NEW

Rev. 00 - 20/10/06

TAVOLA 1/1



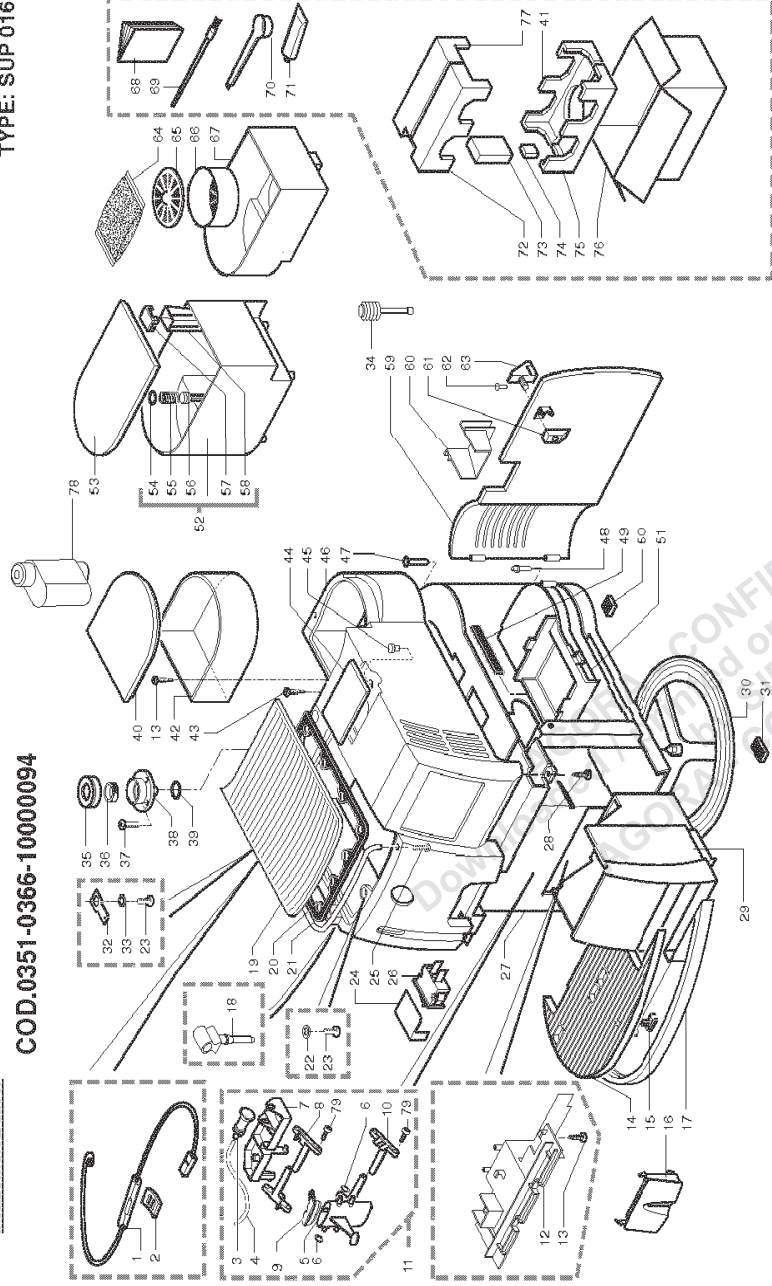
CA SAECO ROYAL PROFESSIONAL

COD.0351-0366-10000094

Edition N°7 Issued the il 31.07.08

TABLE 1 OF 7 E003.051.01

TYPE: SUP 016 RE



Ref.	Code	Description	Version	Ref.	Code	Description	Version
01	0301.812	CONNECTOR ASS. 4 POLE CUPWARMER	WITH ALUM. BOILER	44	0313.008.770	DOSE LID DIGITAL SILVER	
02	NF18.001	PLATE FOR PIN D. 3,2		45	0334.011.770	DOSE LID UL DIGITAL SILVER	
03	0347.011.050	FLEX SLEEVE	IN ROLL	46	0312.013.280	PLUG FOR SCREW HOLE GREY	
04	JS01.005	SILICONE TUBE 5X8 BROWN		47	0351.001.770	LID SAECO PROFESSIONAL SILVER	
05	0347.006.710	MOBILE DISPENSER CASING GREY		48	0366.002.770	LID SAECO PROFESSIONAL SILVER	
06	0347.006.710	OR ORM 050-20 THERMOIL		49	0301.019	PEG FOR DOOR SUPERAUTOM. A	
07	0347.006.710	FIXED CASING DISPENSER BLACK		50	0301.020	PIN FOR DOOR SUPERAUTOM. A	
08	0347.002.710	W-HOLE MESH GREY UPPER DISP. 70/21		51	9161.140	SEAL FOR UNIT PLATE	
09	0347.004.480	CAP FOR BODY		52	147623150	ELACK SQUARE ADHESIVE FOOT 5023	
10	0347.003.710	W-HOLE MESH GREY LOWER DISP. RAL7021		53	0301.041.150	UNIT SUPPORT PLATE GREY	
11	0347.003.710	DISPENSER ASS. GREY RAL 7021		54	0301.046.230	WATER TANK ASS. SUPERAUTOM.	
12	0301.033.150	TANK CASING GREY		55	0317.016.230	WATER TANK ASS. MAGIC UL	
13	129670202	TOP PANEL VIT GRID 3,5X16 TESTA D-B ZNP		56	0301.023.770	WATER LID SILVER	
14	0347.009.430	CHROMATE SHROU FOR TANK		57	NM00.002	OR ORM 0060-30 SILICONE BLACK	
15	0347.013.970	RED BALL FLOAT		58	9111.027.150	SPRING FOR PISTON FOR SUPERAUTOM.	
16	0347.004.430	CHROMATE DISPENSER COVER		59	9161.050.230	GREY PISTON FOR WATER CONTAINER	
17	0314.022.760	DRIP TRAY PAINTED BLUE		60	9161.121.150	WATER TANK ASS. MAGIC UL	
18	0312.016.280	DRIP TRAY SILVER	230V	61	0313.001.760	LEVEL FLOAT GREY	
19	0312.015.66A	RUBBER TUBE HOLDER GREY	120V	62	0313.001.660	DOOR ASS. ROYAL BLUE	
20	0312.015.66F	CUPWARMING PLATE ASS SILVER		63	0301.039.660	DOOR COVER S/S GREEN GREY	
21	0312.017	CUPWARMER SEAL		64	0313.013	DOOR COVER S/SCREEN BLUE	
22	U201.005	TUBE FOR CASING LID		65	0313.013	DOOR COVER FOR DOOR S/SCREENED	
23	129570202	PLAIN WASHER 4,3X12 DIN 7349 GAL		66	0301.040.150	DOOR CLOSURE LEVER GREY	
24	0327.003	SCREW TORX 20 MAX8 AUTOF. ZN/B		67	0301.039.760	DOOR CLOSURE KNOB BLUE	
25	U043.012	GENERAL SWITCH PROTECTION		68	0301.039.660	DOOR CLOSURE KNOB SILVER TF	
26	NE03.028	SCREW TORX M4x06 UNI 7687 GALV.		69	0313.013	RESIN PACKET INTAFL SYSTEM	
27	NE03.038	SWITCH BT01C1181000W		70	0313.014	RESIN CONTAINER INTAFL	
28	0314.007.760	UP TO S/N. 9003HOY0465194 X 230V		71	0313.016	RESIN CONTAINER INTAFL SYSTEM	
29	0314.007.660	BIPOLAR SWITCH FUSIT C1250AR		72	0351.951	WATER TANK ADAPTER INTAFL	
30	0312.032.760	CASING ASS. WITH SLOTS SILVER		73	0351.952	INST. BOOKLET DIGITAL D	
31	0301.048.150	CASING ASS. WITH SLOTS BLUE		74	0351.952	INST. BOOKLET DIGITAL F	
32	NE15.003	SCREW AUT. TCB 3.9X3.5 DIN 7981 F		75	0351.954	INST. BOOKLET DIGITAL NL	
33	129370200	DUMP BOX BLUE		76	0351.955	INST. BOOKLET DIGITAL GB	
34	147702000	DUMP BOX PAINTED SILVER		77	0351.957	INST. BOOKLET DIGITAL P	
35	0701.031.150	ROTATING RING GREY		78	127930100	BRUSH FOR CLEANING	
36	145942800	ADHESIVE FOOT R415X3.2		79	9991.040.150	MEASURE GREY	
37	12000936	MALE TONGUE PLAIN 6.3 D. 5.2			9991.040.060	MEASURE BROWN	
38	0701.014.150	GALV WASH LUNI R82/24			11006044	SAECO KILBER TRIBOSTAR SIL 2 TUBE 53R.	
39	140320461	LOADING PUMP DIAMETER 17 MM			0314.907	LEFT UPPER INSERT IN TECHMATE	
40	0301.022.770	SEAL COVER GREY			0300.906	SPACER IN POLYSTYRENE	
41	0314.905	WATER CONTAINER VALVE SEAL GACODIM4			0314.904	LEFT LOWER INSERT IN TECHMATE	
42	0329.006.230	SEAL CONTAINER GREY			0347.900	EXTERNAL BOX FLEX ROYAL	
43	123512321	SCREW TSP TORX 10.3X10 PLASTISS			21001120	RIGHT UPPER INSERT IN TECHMATE	
		COFFEE CONTAINER UL			21000961	ACC SAEBRITA WATER FILTER UNIT	
		COFFEE CONTAINER			21001123	ACC SAE BRITA WATER FILTER 1 UNIT	
		SCREW TORX 10.2,9X13 SHEET SS			123913202	SCREW TORX 10.3X8 PLASTZN/B	



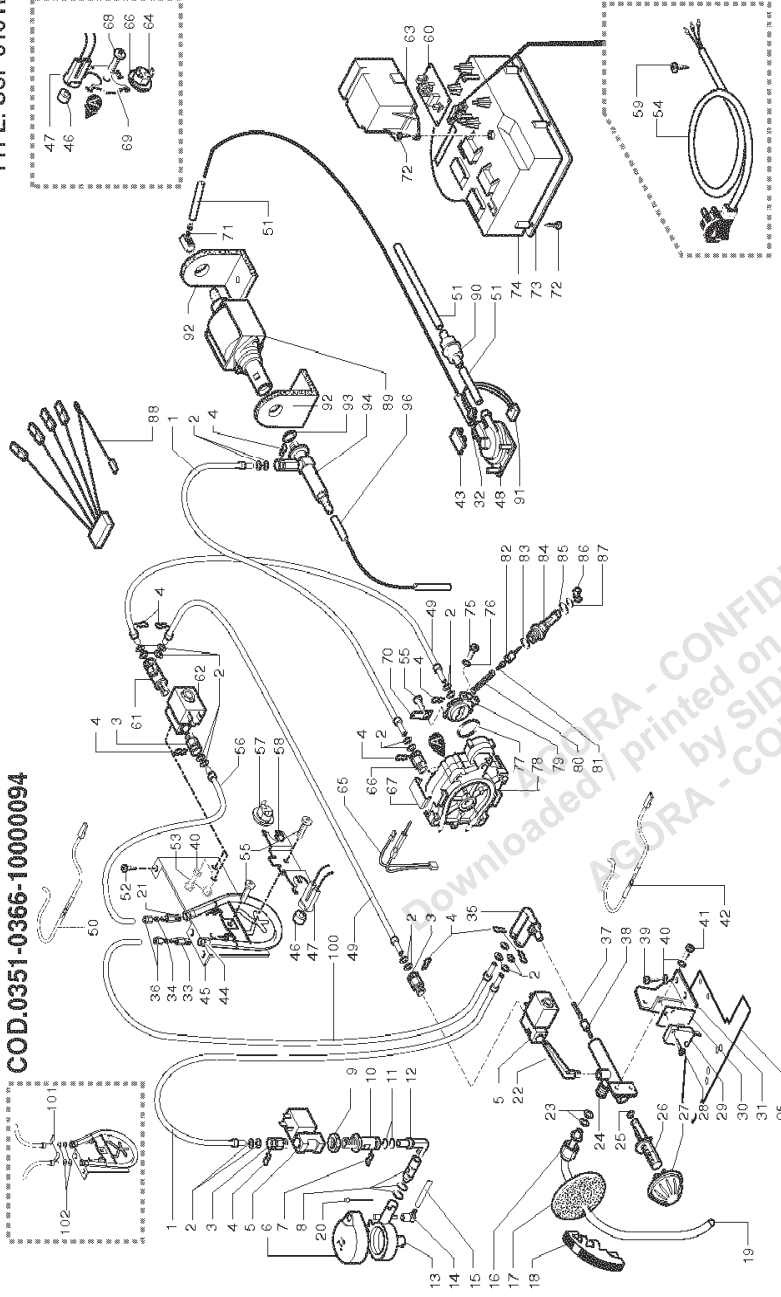
CA SAECO ROYAL PROFESSIONAL
ALUMINIUM BOILER
UP TO S/N: 9004F0V0499982

COD.0351-0366-10000094

Edition N°7 Issued the il 31.07.08

TABLE 2A OF 7 **E003.051.02**

TYPE: SUP 016 RE



Ref.	Code	Description	Version	Ref.	Code	Description	Version
01	9979.A38	TEFLON TUBE ASS. 4X2L.150.7.7		46	11004424	ALUM.SPACER FOR PHILIPS SENSOR MAGIC	230V
02	NM02.028	OR 2015 EPDM FDA		47	9019.A65	SENSOR ASS. FOR AUTOMATICA	
03	9011.152	BRASS CONNECTOR 1/8" FOR TUBE D=4		48	2864.73300	M-VAE TURBINE WITH SENSOR KIT	
04	9011.144	FORK FOR TUBE D.4		49	9979.A55	TERLON TUBE ASS. 4X2 L.260.7.7	
05	11008928	SOLE VALVE OLAB 2 WAY 1/8" FEM TEA	230V	50	0334.822	CABLE 1 WIRE SILIC WHITE THRU USE 216"	
06	11008571	SOLE VALVE 15VA 2 WAY 1/8" FEM TEA	100V	51	9972.022	SILICONE TUBR 5X8 L.2M	
07	0314.018.710	COVER FOR CAPPUCCINATORE BLUE		52	U110.004	SCREW AUT.TCB 3.5X6.5 DIN 7981 F	
08	9161.135	COVER FOR CAPPUCCINA. PAINTED GREY		53	U043.012	SCREW TCB M4.0X6 UNI 7687 GALV.	
09	142270200	SPRING FOR STEAM FAUCET		54	NE01.120	CABLE SCHUKO GREY H05	
10	U303.002	TUBE W/O RETAIN CAPPUCCINATORE #20R		55	NE01.118	CABLE TW.3 POLE GREY 1 MM	
11	110089432	TEABRASS SUPPORT FOR 90° CONNECTOR		56	NE01.114	POWER CABLE AUSTRALIA	
12	NM02.007	OR 2025 TERMOIL		57	NE01.116	CABLE USA 3P GREY 1 MM	
13	11008451	TEABRASS 90° CONNECTOR FOR CAPPUCCIN		58	U046.003	SCREW TCB M4.0X12 INDENT. WASH. 8	
14	142520130	CAPPUCCINATORE AS NEUTRAL WHITE		59	9379.A88	TERLON TUBE ASS. 4X2 L.260.7.7	
15	9991.122.010	CONN. FOR CAPPUCCINATORE WHITE		60	NE09.006	TERLON TUBE ASS. 4X2 L.280.7	
16	9972.045	SILICONE TUBE 3.5X6L.360 MM		61	9011.187	THERMOSTAT 170°C FAST. 90° W/WASHER	
17	9161.438	NUT FOR STEAM TUBE		62	U140.009	THERMOSTAT RETAINING SPRING	
18	9161.058.150	INTERNAL PROTECTION FOR TUBE GREY		63	U043.004	PANEL VIT TCB 3.0X16.16 DIN 7605 B GAL	
19	9161.055.710	HAND GRIP FOR ST. TUBE GREY		64	11008823	TEABRASS 90° CONNECT DOUBLE FAST LOCK	
20	148870130	STAINLESS STEEL STEAM TUBE ROYAL ASSY.		65	9161.1261.50	SOLE VALVE 15VA 2W 1/8" FEM DIN3 TEA	
21	227361803	WHITE CAPPUCCINATORE PIN		66	9161.3361.50	COVER FOR FILTER CARD GREY UL	
22	110089453	NIKEBRASS INLET CONNECTOR BOILER		67	NE09.021	THERMOSTAT 150°C FASTON 90°	
23	140324461	TEABRASS 90° CONNECTOR FOR FAUCET EV.		68	0315.806	CABLE 1 WIRE SILIC BLUE U/P 12 THRU USE 192"	
24	110093006	OR 2018 IN EPDM		69	9011.085	THERMOSTAT FIXING WASHER	
25	140321461	TEABRASS FAUCET BODY		70	129928502	SPRING FOR THERMAL FUSE	
26	9161.057	STEAM FAUCET ROD		71	0301.0561.50	TCB SCREW M4X30 UNI 7687 ZNP	
27	0347.017.710	GREY STEAM KNOB RAL 7021 SERIG.		72	0301.0561.50	THERMOSTAT RETAINING SPRING	
28	U109.014	SCREW AUT.TCB 2.9X16 DIN 7981 C		73	NE15.026	MALE TONGUE 45° 6.3 D.5.2	
29	NE05.013	MICROSWITCH		74	147920150	90° CONNECTOR PUMP INLET	
30	110093072	INSULATE PROTECTION 24X38.8 FORMICHO		75	129670202	TCB PANEL VIT SCREW 3.5X16 TESTAD=8 ZNP	
31	0312.011	STEAM FAUCET BRACKET	SEE PART N° 48	76	0301.0561.50	LID FOR POWER CABLE CONT. GREY	
32	227361903	PARTICULAR NOT AVAILABLE	FROM SIN 362814	77	U203.003	POWER CABLE CONT. VDE GREY	
33	9161.1431	OGIVE BUSH D=4	FROM SIN 362814	78	U203.003	TOOTHED WASHER 5.1X9 BRU	
34	11008922	TEABRASS 90° CONNECT DOUBLE FAST LOCK	FROM SIN 362814	79	NM01.022	OR 2106 SILICONE	
35	123460220	BRASS NUT M6X1 FOR TERLON TUBE D=4		80	9019.A61.00A	BOILER CASINGS ASS. - PROFESS.	
36	9011.007	SPRING FOR PIN		81	9011.165	BOILER SUPPORT WITH TUBE CONN. D.4	
37	9011.007	SPRING FOR PIN		82	9011.132	SPRING FOR PIN	
38	11009018	TEABRASS PISTON L=15,1 ASSY.		83	11009013	TEABRASS PIN FOR PISTON L=10	
39	U110.013	WASHER UNI 8642 A4 BURNISHED		84	11009019	TEABRASS PISTON L=20,9 ASSY.	
40	128310404	TCB SCREW M4X8 UNI 7687 ZNP		85	NM01.008	OR ORM 0080-20 SILICONE	
41	129923802	CABLE 1 WIRE SILIC WHITE THRU USE 192"			9011.103	PEG FOR VALVE IN PLASTIC	
42	0314.810	BRACKET FOR TURBINE			NM01.1005	OR ORM 0090-20 SILICONE	
43	9161.018	KIT SPARES BLECKMANN BOILER					
44	0334.R10.00A	NEW SYSTEM BRACKET					
45	0334.001						



CA SAECO ROYAL PROFESSIONAL

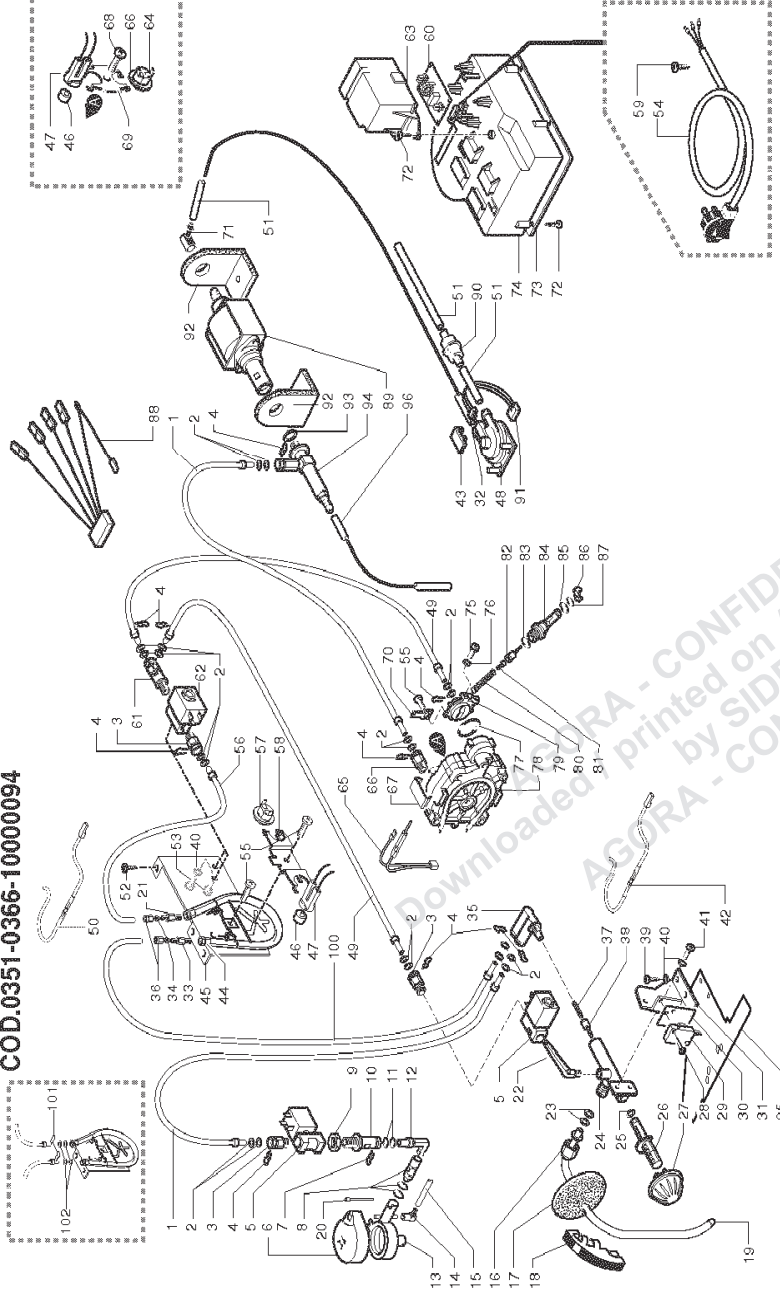
ALUMINIUM BOILER
UP TO SN. 9004ROY0499982

Edition N°7. Issued the 11.07.08

TABLE 2B OF 7 **E003.051.02**

TYPE: SUP 016 RE

COD.0351-0366-10000094



Ref.	Code	Description	Version	Ref.	Code	Description	Version
86	9011.099	M CURSOR FOR BOILER VALVE IN PLASTIC					
87	NM01.057	OR O-RM 0050-20 SILICONE					
88	0334.803	CONN ASS. SPOLE					
	0334.810	CONN ASS. SPOLE UL					
89	12000140	ULKA PUMP EP5/S GW	230V-50HZ				
	12000132	ULKA PUMP EP5/S GW	220V-50/60HZ				
90	144660300	SUCTION FILTER GAUZE NET 500 (NEW)					
91	0314.815	CONNECTOR ASS. 3POLE TURBINE PROF.					
92	14918E850	SUPPORT FOR EATON PUMP					
93	140321961	OR 2031 IN TERMOIL					
94	9079.A27	SAFETY VALVE ASS.FASTLOCK UNIVERS					
95	11000639	BLACK CLOSURE PLATE					
	9010.F06.00A	KIT SPARES 9010.042.00A					
100	9979.A38	TEFLON TUBE ASS. 4X2 L:150 7-7	UP TO SN.362813				
	9979.A50	TEFLON TUBE ASS. 4X2 L:150 7	FROM SN.362814				
101	9011.144	FORK FOR TUBE D.4	UP TO SN.362813				
102	NM02.028	OR 2015 EPDM FDA	UP TO SN.362813				



CA SAECO ROYAL PROFESSIONAL

INOX BOILER
FROM S/N. 9004FROY0499983

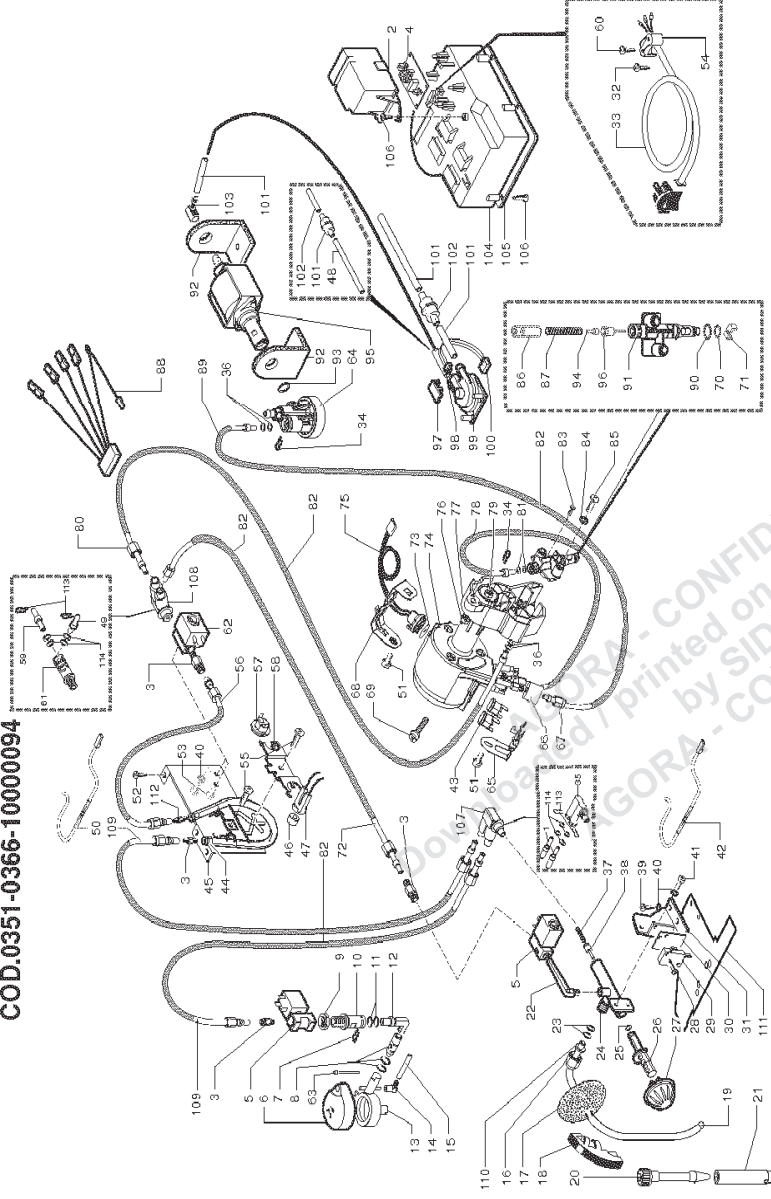
COD.0351-0366-1000094

TABLE 8A OF 7

E003.051.03

TYPE: SUP 016 RE

Edition N°7 Issued the 11.31.07.08



Ref.	Code	Description	Version	Ref. Code	Description	Version
01	9379B42	TEFLON ASS. TUBE 4X2 L.140.7	UP TO S/N. 9006FROY0536489	11009018	TEBRASS PISTON L=15.1 ASSY.	
02	9161.1.26.150	COVER FOR FILTER CARD GREY	(USA)	U1101013	SCREW AUT.TOB 3.9X6.5 DIN 7981 F	UP TO S/N. 9006FROY0536489
03	9161.936.150	COVER FOR FILTER CARD GREY LUL		126310404	WASHER UNI R842 A4 BURNISHED	UP TO S/N. 9006FROY0536489
04	11009009	TEBRASS CONNECTOR FOR TUBE TEFLOX 4X2		129223802	T.C.B. SCREW M4X8 UNI 7687 ZNP	FROM S/N. 9006FROY0536490
05	0314.804	FILTRATION CARD 12A	120V (USA) (RE) (J) 230V/240 100V (J)	0354-809	CABLE 1 WIRE SILIC. BLUE THFUSE 192°	FROM S/N. 9006FROY0536490
06	0301.526.00F	SOLENOID VALVE 15VA 2 WAY 1/8" FEM. TEA		189426200	THERMOSTAT 175° 1" IN 08L 3794	FROM S/N. 9006FROY0536490
07	11008569	SOLENOID VALVE 15VA 2 WAY 1/8" FEM. TEA		9010.142.00A	BOILER ASS. PROFESSIONAL INOX 230V	
08	11008570	SOLENOID VALVE 15VA 2 WAY 1/8" FEM. TEA		9010.142.00F	BOILER ASS. PROFESSIONAL INOX 100V	
09	11008571	SOLENOID VALVE 15VA 2 WAY 1/8" FEM. TEA		9010.142.00A	BOILER ASS. PROFESSIONAL INOX 100V	
10	11008572	SOLENOID VALVE 15VA 2 WAY 1/8" FEM. TEA		9010.150.00A	ELECTRIC BOILER PROFESSIONAL 230V ASSY	
11	11008573	SOLENOID VALVE 15VA 2 WAY 1/8" FEM. TEA		9010.150.00F	ELECTRIC BOILER PROFESSIONAL 120V ASSY	
12	11008574	SOLENOID VALVE 15VA 2 WAY 1/8" FEM. TEA		9010.150.00R	ELECTRIC BOILER PROFESSIONAL 100V ASSY	
13	11008575	SOLENOID VALVE 15VA 2 WAY 1/8" FEM. TEA		0334-001	NEW SYSTEM BRACKET	
14	11008576	SOLENOID VALVE 15VA 2 WAY 1/8" FEM. TEA		11004424	ALUM SPACER FOR PHILIPS SENSOR MAGIC	230V
15	11008577	SOLENOID VALVE 15VA 2 WAY 1/8" FEM. TEA		9019.A7Z	SENSOR ASS. ROYAL	120V LUL (USA) (RE) (J)
16	11008578	SOLENOID VALVE 15VA 2 WAY 1/8" FEM. TEA		9019.A73	SENSOR ASS. ROYAL	UP TO S/N. 9006FROY0536489
17	11008579	SOLENOID VALVE 15VA 2 WAY 1/8" FEM. TEA		9972.166	SILICONE TUBE 5X10 60SH L=200MM	(USA) (RE)
18	11008580	SOLENOID VALVE 15VA 2 WAY 1/8" FEM. TEA		227875100	CONNECTOR AS TEFLOX 2X4 L=275 MM	(USA) (RE)
19	11008581	SOLENOID VALVE 15VA 2 WAY 1/8" FEM. TEA		0334.822	CABLE 1 WIRE SILIC WHITE THFUSE 216°	(USA) (RE)
20	11008582	SOLENOID VALVE 15VA 2 WAY 1/8" FEM. TEA		129573202	CABLE 1 WIRE SILIC WHITE THFUSE 216°	(USA) (RE)
21	11008583	SOLENOID VALVE 15VA 2 WAY 1/8" FEM. TEA		U1101004	SCREW AUT.TOB 3.9X6.5 DIN 7981 F	(USA) (J)
22	11008584	SOLENOID VALVE 15VA 2 WAY 1/8" FEM. TEA		U043.012	SCREW TOCB M4 0X6 UNI 7687 GALV.	(USA) (J)
23	11008585	SOLENOID VALVE 15VA 2 WAY 1/8" FEM. TEA		9991.039	CABLE RETAINER LUL	(USA) (J)
24	11008586	SOLENOID VALVE 15VA 2 WAY 1/8" FEM. TEA		U045.003	SCREW TOCB M4 0X12 INDENT. WASH. 8	UP TO S/N. 9006FROY0536489
25	11008587	SOLENOID VALVE 15VA 2 WAY 1/8" FEM. TEA		9079.B47	TERLOX ASS. TUBE 4X2 L.320 CG-OG	UP TO S/N. 9006FROY0536489
26	11008588	SOLENOID VALVE 15VA 2 WAY 1/8" FEM. TEA		NE09.006	THERMOSTAT 170° INC FAST 30° WASH	230V
27	11008589	SOLENOID VALVE 15VA 2 WAY 1/8" FEM. TEA		9011.187	THERMOSTAT RETAINING SPRING	120V (USA) (RE)
28	11008590	SOLENOID VALVE 15VA 2 WAY 1/8" FEM. TEA		9079.A73	TERLOX ASS. TUBE 4X2 L.260 7.7	100V (J)
29	11008591	SOLENOID VALVE 15VA 2 WAY 1/8" FEM. TEA		U103.006	SCREW AUT.TOB 3.9X16 DIN 7981 C	
30	11008592	SOLENOID VALVE 15VA 2 WAY 1/8" FEM. TEA		227901103	NIKBRASS 30° CONNECT DOUBLE FAST LOCK	
31	11008593	SOLENOID VALVE 15VA 2 WAY 1/8" FEM. TEA		11008573	SOLENOID VALVE 15VA 2W 1/8" FEM. DN3 TEA	
32	11008594	SOLENOID VALVE 15VA 2 WAY 1/8" FEM. TEA		11008574	SOLENOID VALVE 15VA 2W 1/8" FEM. DN3 TEA	
33	11008595	SOLENOID VALVE 15VA 2 WAY 1/8" FEM. TEA		1489.0130	SOLENOID VALVE 15VA 2W 1/8" FEM. DN3 TEA	
34	11008596	SOLENOID VALVE 15VA 2 WAY 1/8" FEM. TEA		2294.0210	COMPENSATION DIAPHRAGM VALVE 16BAR ASSY	
35	11008597	SOLENOID VALVE 15VA 2 WAY 1/8" FEM. TEA		126838117	2 THERMOSTATS FIXING SPRING	
36	11008598	SOLENOID VALVE 15VA 2 WAY 1/8" FEM. TEA		147756562	PROTECT. FOR FOLK SPRING TUBE D=4	
37	11008599	SOLENOID VALVE 15VA 2 WAY 1/8" FEM. TEA		227876200	CONNECTOR AS TEFLOX 2X4 L=200MM	
38	11008600	SOLENOID VALVE 15VA 2 WAY 1/8" FEM. TEA		126838017	SENSOR FIXING SPRING	
39	11008601	SOLENOID VALVE 15VA 2 WAY 1/8" FEM. TEA		9011.057	ROUND HEAD SCREW 10.9 MEX20 GALV	
40	11008602	SOLENOID VALVE 15VA 2 WAY 1/8" FEM. TEA		NH40.1057	OR O-RING 0050.20 SILICONE	
41	11008603	SOLENOID VALVE 15VA 2 WAY 1/8" FEM. TEA		9011.039	M-CURSOR FOR BOILER VALVE IN PLASTIC	
42	11008604	SOLENOID VALVE 15VA 2 WAY 1/8" FEM. TEA		149361600	TERLOX ASS. TUBE 4X2 L.260 CG-OGA	
43	11008605	SOLENOID VALVE 15VA 2 WAY 1/8" FEM. TEA		282068868	ELECTRIC INSULATING DISK D=16	
44	11008606	SOLENOID VALVE 15VA 2 WAY 1/8" FEM. TEA		282068865	ALUM BOILER WITH RESISTANCE	
45	11008607	SOLENOID VALVE 15VA 2 WAY 1/8" FEM. TEA				
46	11008608	SOLENOID VALVE 15VA 2 WAY 1/8" FEM. TEA				
47	11008609	SOLENOID VALVE 15VA 2 WAY 1/8" FEM. TEA				
48	11008610	SOLENOID VALVE 15VA 2 WAY 1/8" FEM. TEA				
49	11008611	SOLENOID VALVE 15VA 2 WAY 1/8" FEM. TEA				
50	11008612	SOLENOID VALVE 15VA 2 WAY 1/8" FEM. TEA				
51	11008613	SOLENOID VALVE 15VA 2 WAY 1/8" FEM. TEA				
52	11008614	SOLENOID VALVE 15VA 2 WAY 1/8" FEM. TEA				
53	11008615	SOLENOID VALVE 15VA 2 WAY 1/8" FEM. TEA				
54	11008616	SOLENOID VALVE 15VA 2 WAY 1/8" FEM. TEA				
55	11008617	SOLENOID VALVE 15VA 2 WAY 1/8" FEM. TEA				
56	11008618	SOLENOID VALVE 15VA 2 WAY 1/8" FEM. TEA				
57	11008619	SOLENOID VALVE 15VA 2 WAY 1/8" FEM. TEA				
58	11008620	SOLENOID VALVE 15VA 2 WAY 1/8" FEM. TEA				
59	11008621	SOLENOID VALVE 15VA 2 WAY 1/8" FEM. TEA				
60	11008622	SOLENOID VALVE 15VA 2 WAY 1/8" FEM. TEA				
61	11008623	SOLENOID VALVE 15VA 2 WAY 1/8" FEM. TEA				
62	11008624	SOLENOID VALVE 15VA 2 WAY 1/8" FEM. TEA				
63	11008625	SOLENOID VALVE 15VA 2 WAY 1/8" FEM. TEA				
64	11008626	SOLENOID VALVE 15VA 2 WAY 1/8" FEM. TEA				
65	11008627	SOLENOID VALVE 15VA 2 WAY 1/8" FEM. TEA				
66	11008628	SOLENOID VALVE 15VA 2 WAY 1/8" FEM. TEA				
67	11008629	SOLENOID VALVE 15VA 2 WAY 1/8" FEM. TEA				
68	11008630	SOLENOID VALVE 15VA 2 WAY 1/8" FEM. TEA				
69	11008631	SOLENOID VALVE 15VA 2 WAY 1/8" FEM. TEA				
70	11008632	SOLENOID VALVE 15VA 2 WAY 1/8" FEM. TEA				
71	11008633	SOLENOID VALVE 15VA 2 WAY 1/8" FEM. TEA				
72	11008634	SOLENOID VALVE 15VA 2 WAY 1/8" FEM. TEA				
73	11008635	SOLENOID VALVE 15VA 2 WAY 1/8" FEM. TEA				
74	11008636	SOLENOID VALVE 15VA 2 WAY 1/8" FEM. TEA				



CA SAECO ROYAL PROFESSIONAL

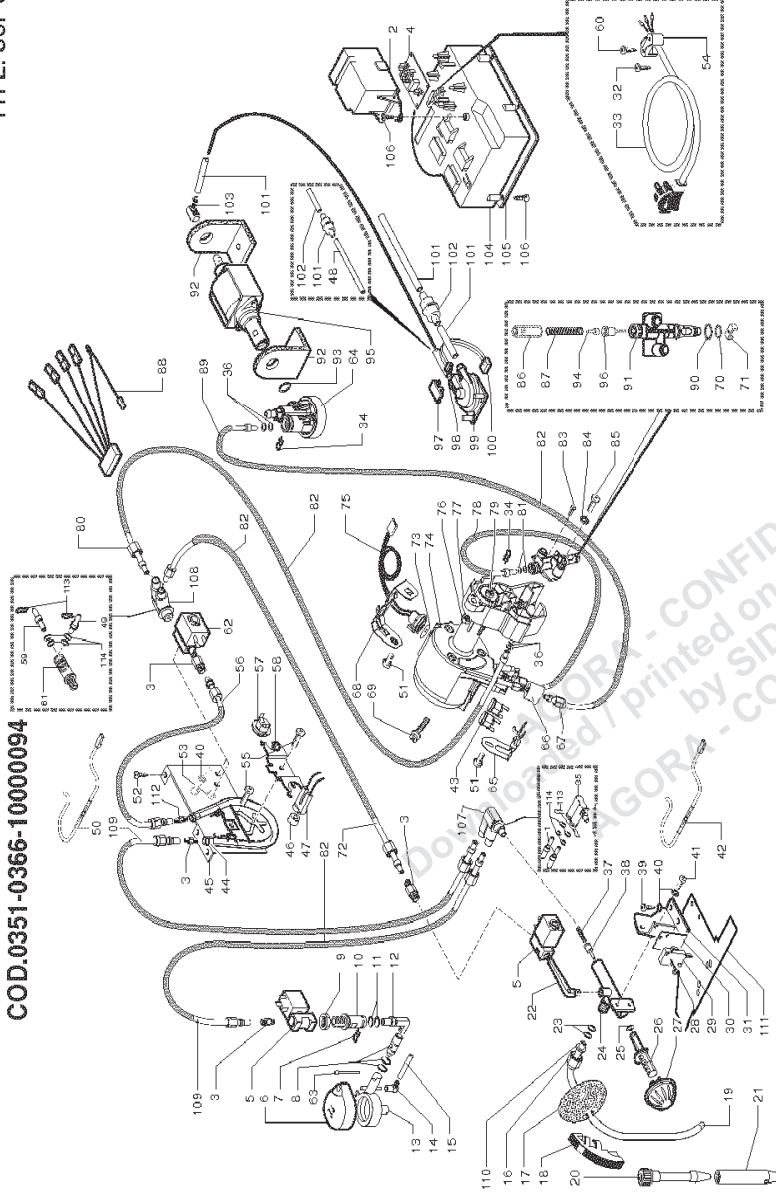
INOX BOILER
FROM S/N: 9004ROV0499983

COD.0351-0366-10000094

Edition N°7 Insured the il 31.07.08

TABLE 3B OF 7 **E003.051.03**

TYPE: SUP 016 RE



Ref.	Code	Description	Version	Ref. Code	Description	Version
74	282058854	ALUM BOILER WITH RESISTANCE	100V - 1100W	114	1403293059	OR 2015 IN SILICONE PTFE/FDA
75	288582300	SENSOR ELECTROBOARD WITH CONNECT ASSY.		9010.149.00F	BOILER PROFESSIONAL ASSY.	120V
76	U310.003	NUT SELF LOCK M5 UNI 7473		9010.149.00R	BOILER PROFESSIONAL ASSY.	100V
77	9161.435	TUBUL BOILER SUPPORT FOR SUPERAUT.		9010.149.00A	BOILER PROFESSIONAL ASSY.	230V.
78	9979.927	TEFLON ASS. TUBE 2X4 L 280				
79	123453302	SELF LOCK IN TUB 6X08 DIN 980 CLA 8	FROM S/N: 9005ROV0536490			
80	9979.929	TEFLON ASS. TUBE 2X4 L 280				
81	140326662	OR METRIC 0040-20 IN SILICONE				
82	9972.150	BLACK SILICONE TUBE 7,5X9,3 L=210 MM				
83	U140.004	PANEL VIT TCB 3,0X12 DIN 7505 B GAL.				
84	12831.021	WASHER UNI 8842 A5 SS				
85	U043.030	SCREW TCB M5 0X30 UNI 7687 GALV.				
86	11009012	TEA/BRASS BUSH PIN BOILER				
87	9011.132	SPRING FOR PIN				
88	0334.803	CONN ASS. SPOLE				
89	0334.810	CONN ASS. SPOLE UL				
89	9979.A38	TEFLON TUBE ASS. 4X2 L150 7-7				
90	NI401.036	OR ORM 0030-20 SILICONE				
91	9161.434	BOILER PIN				
92	149185850	SUPPORT FOR EATON PUMP				
93	140321961	OR 2031 IN TERMOIL				
94	11009013	TEA/BRASS PIN FOR PISTON L=10				
95	12000140	ULKA PUMP EP5S GW				
		ULKA PUMP EP5S	230V-50HZ			
		ULKA PUMP EP5S GW	120V-60HZ			
		ULKA PUMP EP5S GW	220V-50/60HZ			
96	12000132	TEA/BRASS PISTON L=20,9 ASSY.	100V-50/60HZ			
97	11009019	BRACKET FOR TURBINE				
98	9161.018	PARTICULAR NOT AVAILABLE				
99	286473300	M-4 VDE TURBINE WITH SENSOR KIT	SEE PART N° 99			
100	0347.817	CONN ASS. 3 POLE	WITH PART N° 98			
		CONNECTOR ASS. 3POLE				
101	0348.808	SILICONE TUBR 5X8 L2M7				
102	9972.022	SUCTION FILTER GAUZE NET 500 (NEW)				
103	144650300	90° CONNECTOR PUMP INLET				
104	147320150	POWER CABLE CONT. VDE GREY				
		POWER SUPPLY CABLE GREY UL				
105	0301.055.150	LID FOR POWER CABLE CONT. GREY				
106	12967.0202	TOR PANEL VIT SCREW 3,5X16 IASTA D=3 ZNP				
107	11008584	TEA/BRASS 90° DOUBLE CONNECTOR	FROM S/N: 9005ROV0536490			
108	11008586	TEA/BRASS 90° DOUBLE CONNECTOR	FROM S/N: 9005ROV0536490			
109	9979.952	TEFLON ASS. TUBE 4X2 L.160				
110	9161.440	SCRAPER				
111	11008839	BLACK CLOSURE PLATE				
112	11009010	TEA/BRASS INLET CONNECTOR BOILER				
113	9011.144	FORK FOR TUBE D.4	UP TO S/N: 9005ROV0536489			



CA SAECO ROYAL PROFESSIONAL

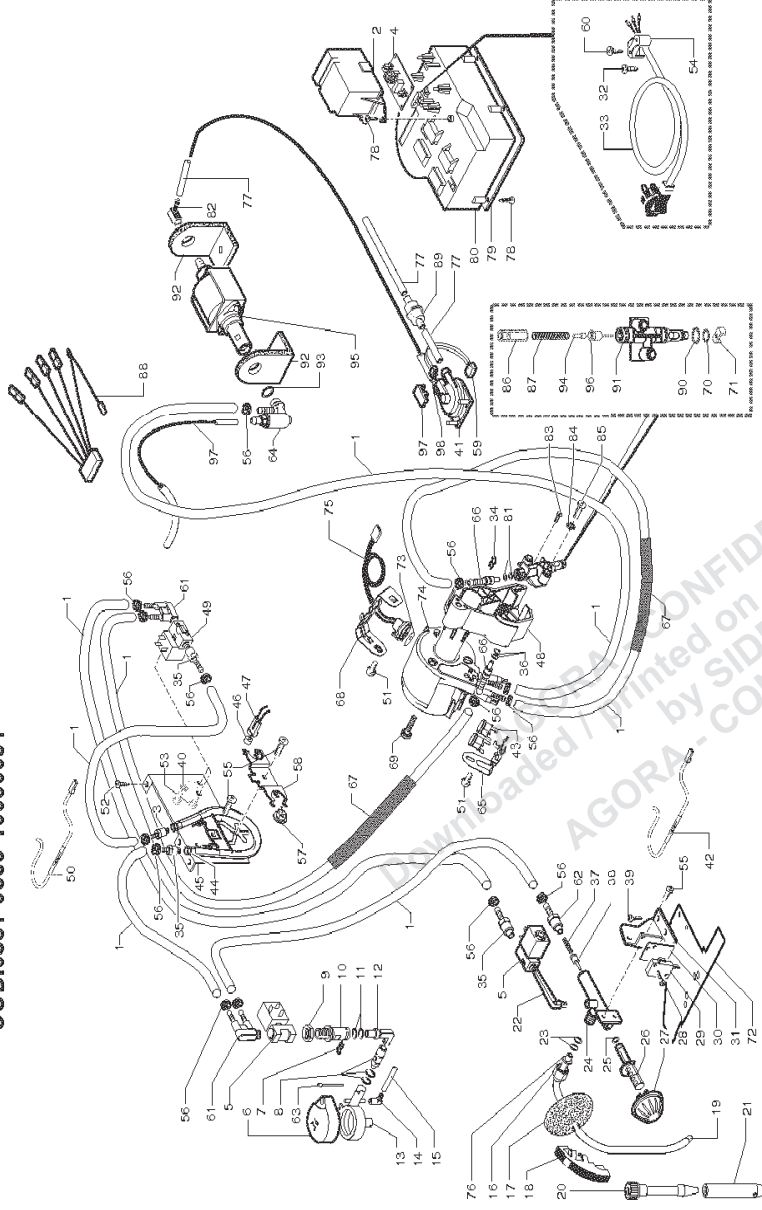
COD.0351-0366-10000094

REINFORCE SILICONE TUBE
FROM S.N. 9008RD Y0702235

TABLE 4A OF 7 E003.051.04

TYPE: SUP 016 RE

Edition N°7 Issued the 11/31/07/08



Ref.	Code	Description	Version	Ref.	Code	Description	Version
01	1600380	5X6,9 SILICONE TUBE	IN ROLL	38	11009018	TEABRASS PISTON L=15,1 ASSY.	
02	9161.126.150	COVER FOR FILTER CARD GREY	(USA)	39	U1101013	SCREW AUT.TCB 3,9X6,5 DIN 7981 F	WITH PART. N° 98
03	9161.336.150	COVER FOR FILTER CARD GREY UL		40	126311604	WASHER UNI 8842 A4 BURNISHED	
04	0314.804	TEABRASS INLET CONNECTOR BOILER	230V	41	266473300	M-VIDE TURBINE WITH SENSOR KIT	
05	0301.828.00F	FILTRATION CARD SUPERAUTOM.	120V (USA) (RC) (J)	42	03648200	CABLE 1 WIRE SILIC.BLU.E TH/FUSE 192°	
06	11008569	SOLEN VALVE 15VA 2 WAY 1/8" FEM.TEA	230V/240V	43	169489200	THERMOSTAT 175° INT-08L:3794	
07	11008570	SOLEN VALVE 15VA 2 WAY 1/8" FEM.TEA	120V (USA) (RC) (J)	44	11010390	BLECKMANN BOILER V2 PROFESS.ASSY.	230V
08	11008571	SOLEN VALVE 15VA 2 WAY 1/8" FEM.TEA	100V (J)	45	11010391	BLECKMANN BOILER V2 PROFESS.ASSY.	120V
09	0314.018.760	COVER FOR CAPPUCCINATORE BLUE		46	11010392	BLECKMANN BOILER V2 PROFESS.ASSY.	100V
10	9161.018.710	COVER FOR CAPPUCCINATORE PAINTED GREY		47	0334.001	NEW SYSTEM BRACKET	
11	9161.135	SPRING FOR STEAM FAUCET		48	11004424	ALUM.SPACER FOR PHILIPS SENSOR MAGIC	
12	142210200	TUBE-WO RETAIN.CAPPUCCINATORE #20R		49	90191A72	SENSOR ASS. ROYAL	230V
13	U303.002	NUT HEXAGONAL M12X1,25/UN1 5589		50	11010358	TUBUL BOILER SUPPORT V2 FOR ROYAL	120V UL (USA) (RC) (J)
14	11008453	TEABRASS SUPPORT FOR 30° CONNECTOR		51	11008573	SOLEN VALVE 15VA 2W.1/8" FEM.DN3.TEA	230V/240V
15	NM02.007	OR 2025 THERMOIL		52	11008574	SOLEN VALVE 15VA 2W.1/8" FEM.DN3.TEA	120V (USA) (RC) (J)
16	11008451	TEABRASS 90°CONNECT FOR CAPPUCCIN		53	11008575	SOLEN VALVE 15VA 2W.1/8" FEM.DN3.TEA	100V (USA) (RC) (J)
17	142220130	CAPPUCCINATORE AS NEUTRAL WHITE		54	0334.822	CABLE 1 WIRE SILIC.WHITE TH/FUSE 216°	
18	9931.122.010	CONN. FOR CAPPUCCINATORE WHITE		55	0334.822	CABLE 1 WIRE SILIC.WHITE TH/FUSE 216°	
19	9972.045	SILICONE TUBE 3,5X6 L.350 MM		56	12000892	SCREW TORX 20 MAX12.ZN.B	
20	9161.438	NUT FOR STEAM TUBE		57	129573202	OETIKER CLAMP D=35-16700004	
21	9161.055.710	HANDGRIP FOR ST.TUBE GREY		58	U110.004	THERMOSTAT 170°NC FAST. 90°+WASHER	
22	9930.005.060	PANNARELLO ASS' MIELE BLACK	(J) (J)	59	U043.012	SCREW TORX 20 MAX12.ZN.B	
23	9931.153	EXTERNAL COVER PANNAREL CROMIUM		60	9391.039	CABLE RETAINER UL	
24	140324461	TEABRASS 90°CONNECTOR FOR FAUCETEV		61	U045.003	SCREW TORX TORX 20 MAX12.ZN.B	
25	140321461	TEABRASS FAUCET BODY		62	12000892	SCREW TORX TORX 20 MAX12.ZN.B	
26	9161.057	STEAM FAUCET ROD		63	NE09.005	CONNECTOR ASS. 3 POLE	(USA) (J)
27	0347.017.710	GREY STEAM KNOB RAL 7021 SERIG.		64	0347.817	CONN. ASS. 3 POLE	
28	U109.027	SCREW TCB TORX 10 2,3X19 SHEET SS		65	U103.005	SCREW AUT.TCB 3,5X16 DIN 7981 C	
29	NE05.013	MICROSWITCH		66	11010243	TEABRASS 90° DOUBLE CONNECTOR	
30	11009072	INSULATE PROTECTION 24X38,8 FORMICRO		67	11010243	TEABRASS CONNECTOR FOR FAUCET	
31	0312.011	STEAM FAUCET BRACKET		68	148870130	WHITE CAPPUCCINATORE PIN	
32	U140.009	PANEL VIT TCB 3 0X16 DIN 7505 6 GAL	(B) (D) (F) (USA)	69	11010166	SAFETY VALVE 16-18 BAR V2 P0049 ASSY.	
33	NE01.120	CABLE CH.H05 GREY H05	(CH) (RC)	70	126838117	2 THERMOSTATS FIXING SPRING	
	NE01.118	CABLE CH.H05 GREY 1 MM	120V	71	11008750	TEABRASS CONNECTOR FOR SILICONE TUBE	IN ROLL
	NE01.114	POWER CABLE AUSTRALIA	(AUS)	72	16000540	TRANSPAR.10,5X12,3 SILICONE TUBE	
	NE01.116	CABLE USA 3P BLACK 1 MM	(USA) (BR) (J)	73	126838017	SENSOR FIXING SPRING	
34	11000538	POWER CABLE ARGENTINA GREY L=1500MM		74	129393202	ROUND HEAD SCREW 10.9 M5X20 GALV	
35	9011.144	FORK FOR TUBE D 4		75	NM01.057	OR ORM 0050-20 SILICONE	
36	11006304	TEABRASS CONNECT. FOR ALUM. BOILER		76	9011.039	M CURSOR FOR BOILER VALVE IN PLASTIC	
37	140328059	OR 2015 IN SILICONE PTFE/FDA		77	11008399	BLACK CLOSURE PLATE	
	126768317	STEEL SPRING BOILER PISTON MAGIC		78	145951600	ELECTRIC INSULATING DISK D=16	
				79	11004667	ALUM.BOILER WITH RESISTANCE	230V-1100W
				80	11004668	ALUM.BOILER WITH RESISTANCE	120V-1100W
				81	288582300	SENSOR ELECTROBOARD WITH CONNECT.ASSY.	100V-1100W



CA SAECO ROYAL PROFESSIONAL

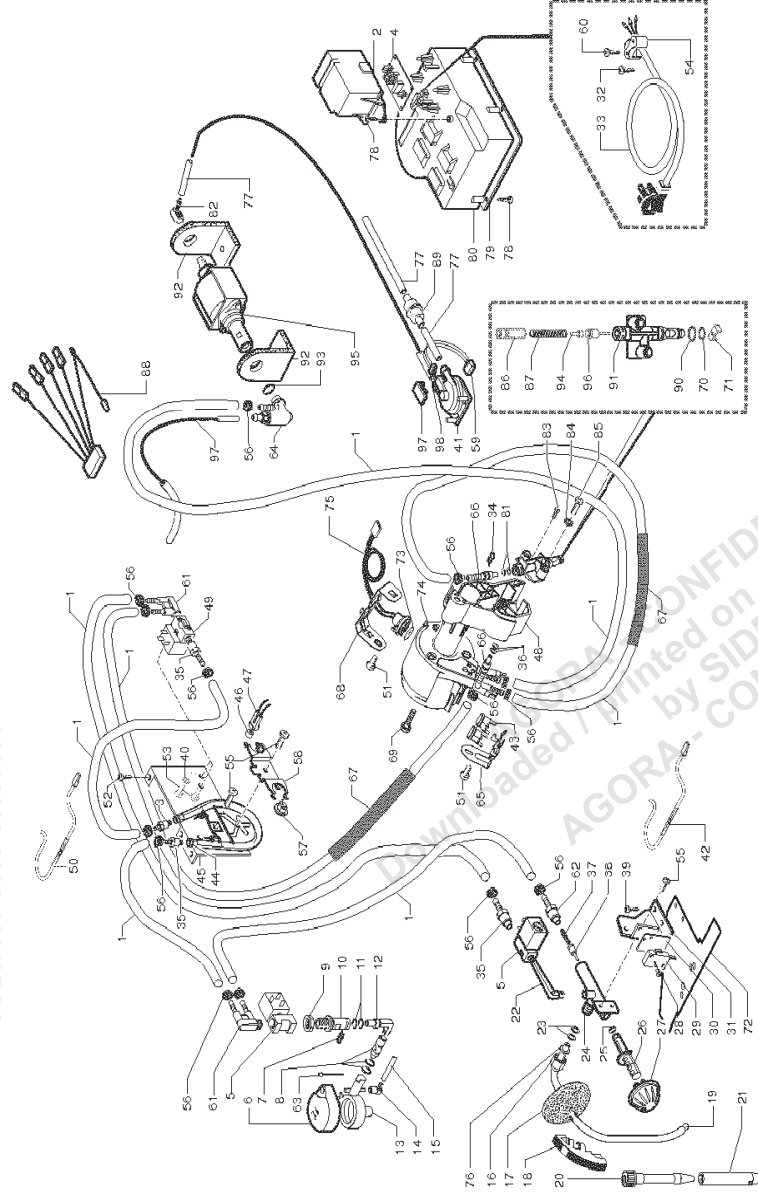
COD.0351-0366-10000094

REINFORCE SILICONE TUBE
FROM S/N. 9008R0Y0702235

TABLE 4B OF 7 E003.051.04

TYPE: SUP 016 RE

Edition N°7 Issued the il 31.07.08



Ref.	Code	Description	Version	Ref. Code	Description	Version
76	9161.444	SPACER				
77	JIS01.022	SILICONE TUBE 5X10 60 SHORE	IN ROLL			
78	129670202	TOP PANEL VIT SCREW 3,5X16 TESTAD=8.ZNP				
79	0301.056.150	LID FOR POWER CABLE CONT. GREY				
80	0301.056.150	POWER CABLE CONT. VDE GREY				
	0336.008.150	POWER SUPPLY CABLE GREY UL				
81	14.0326662	OR METRIC 0040x20 IN SILICONE				
82	147920150	30° INLET CONNECTOR PUMP				
83	U140.004	PANEL VIT TGB 3,0X12 DIN 7505 B GAL				
84	129310621	WASHER UNI 8842 A5 SS				
85	U043.030	SCREW TORC M5 0X30 UNI 7687 GALV.				
86	11009012	TEA BRASS BUSH PIN BOILER				
87	9011.132	SPRING FOR PIN				
88	0334.803	CONN. ASS. SPOLE UL				
89	144650300	SUCTION FILTER GAUZE NET 500 (NEW)				
90	NM01.035	OR CRM 0090 20 S ILICONE				
91	9161.434	BOILER PIN				
92	149169650	EATON PUMP SUPPORT MAGIC 4002012				
93	140321961	OR 2031 IN TERMOIL				
94	11009013	TEA BRASS PIN FOR PISTON L=10				
95	12000140	ULKA PUMP EP5/S GW	230V-50HZ			
	12000131	ULKA PUMP EP5/S	120V-60HZ			
	12000132	ULKA PUMP EP5/S GW	220V-50/60HZ			
	12000130	ULKA PUMP EP5/S GW	100V-50/60HZ			
96	11009019	TEA BRASS PISTON L=20,9 ASSY.				
97	9161.018	BRACKET FOR TURBINE				
98		PARTICULAR NOT AVAILABLE	SEE PART.N°93			
	11010379	BOILER V2 PROFESSIONAL 230V ASSY.	COMPLETE			
	11010324	BOILER V2 PROFESSIONAL 120V ASSY.	COMPLETE			
	11010325	BOILER V2 PROFESSIONAL 100V ASSY.	COMPLETE			



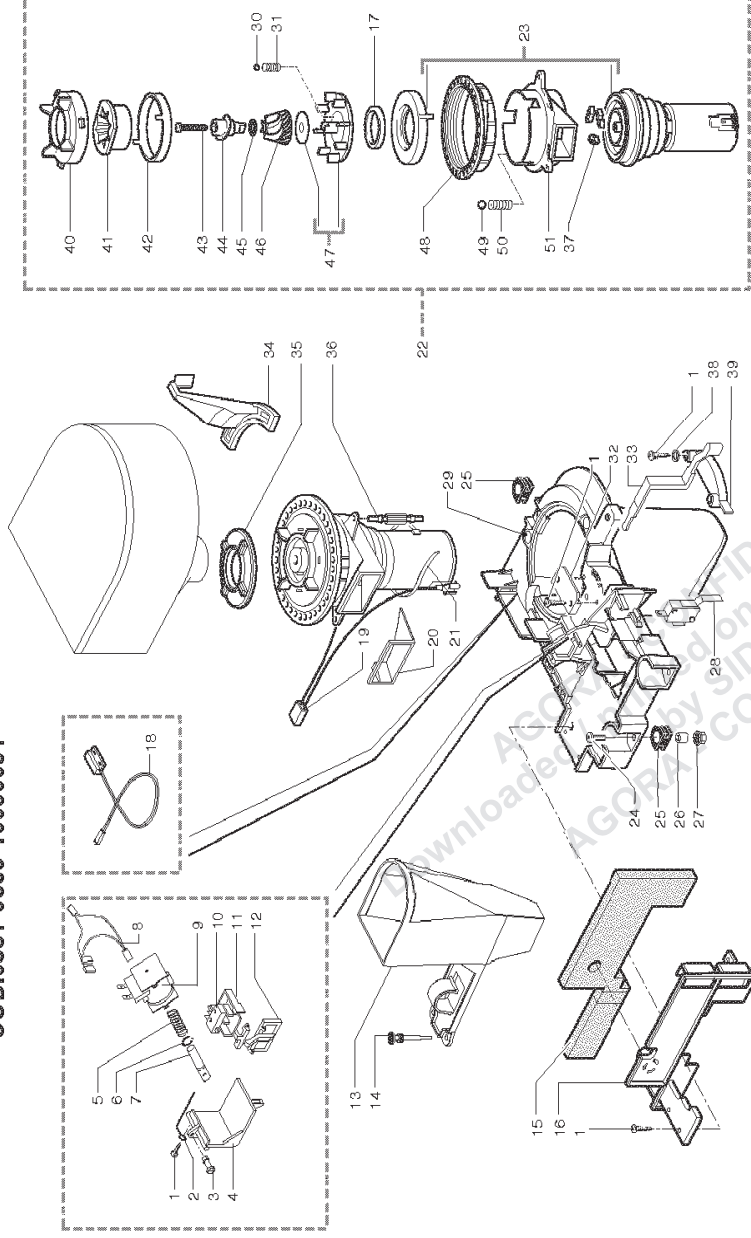
CA SAECO ROYAL PROFESSIONAL

COD.0351-0366-10000094

Edition N°7, Issued the il 31.07.08

TABLE 5 OF 7 E003.051.05

TYPE: SUP 016 RE



Ref.	Code	Description	Version	Ref. Code	Description	Version
01	12913902	SCREW TORX 10 3X12 PLAST.ZNB		39	9161.4031.50	
02	9161.048	SCRAPER ROD		40	1491.861.50	
03	9161.076.150	DOSER DOOR PIN GREY		41		DOSE ADJUST. SCALE GREY RAL 7016
04	9161.074.150	DOSER DOOR GREY		42	142844550	BLACK UPPER GRINDER SUPPORT MAGIC
06	12676491.6	SPRING ELECTROM.BEAN DOSER MAGIC		43	129931.002	PARTICULAR NOT AVAILABLE
07	U701.003	SNAP RING 7 UNI 7434		44	147470763	UPPER GRINDER COVER COFFEE GRIND. MAGIC
08	9161.041	DOSER ELECTROM/MAGNET CORE		45	U201.002	TORX SCREW T10 TCB 3.5X40 SX ZNG
09	9129.A21.00A	WHOLE COIL X SUPERAUT.		46	2264.77700	INCREASE SCREW#PNCOFFEE GRINDER/MAGIC
10	9129.A07.00F	COFFEE DOSER COIL ASS.	230V WITH ALUM. BOILER	47	1491.88750	PLAIN WASHER 10X16X0.ZDIN 988/GAL
11	NE05.017	MICRO SWITCH	230V	48	1465.70950	KIT TAIL MILL GRINDERS
12	9161.072.150	MICRO SUPPORT CURSOR GREY	230V	49	126670117	CONICAL GRIND. SUPP. + RING MAGIC
13	9161.073.150	DOSE CONTROL COMPENSATOR GREY	230V	50	914710080	RING NJT FOR GRINDING ADJUST MAGIC
14	9161.223.150	COMPL.HOPP FOR POWDER COFFEE GRE	120V	51		STAL STEEL AISI 304 SPHERE D=3.2MM
15	9161.082	RUBBER COUPLER				NEWSPRING SPHERED=32 MOTOR/MAGIC
16	9161.396.150	INSULATOR FOR COFFEE GRINDER				MOTOR SUPPORT
17	140363200	GREY 7016 SUPPORT FOR INSULATOR				
18	0301.811	FELT RING 40X34X5				
19	031.7829	CONN. ASS. 2 POLE LEVEL UL				
20	0301.869	CONN. ASS. 2 POLE COFFEEGRINDE				
21	1506.014	CONNECTOR ASS. 2 POLE COFFEEGRINDE				
22	144323200	COFFEEGRINDER SEAL				
23	9140.036.00A	SELF LOCK STRIP L=200MM				
24	9140.036.00A	STANDARD COFFEE GRINDER	230V			
25	9140.036.00A	STANDARD COFFEE GRINDER ITA	230V			
26	9140.036.00F	STANDARD COFFEE GRINDER	120V			
27	9140.036.00R	STANDARD COFFEE GRINDER	100V			
28	0301.R10.00A	SPARE MOTOR UNIT MC	230V			
29	1501.R09.00R	MOTOR SPARE UNIT	120V			
30	U043.004	SCREW TCBC M4,0X16 UNI 7887 GALV.	100V			
31	9991.005	RUBBER FOR COFFEE GRINDER				
32	9141.003	SPACER FOR RUBBER				
33	U324.006	NUT M4-FLANGED INDENTED BASE				
34	NE05.037	MICRO SWITCH				
35	9161.365.150	GREY PLATE FOR COFFEE GRINDER				
36	128610321	STAIL STEEL AISI 304 SPHERE D=5.5MM				
37	126765517	STEEL SPRING SPHERED=5.5 MOTOR/MAGIC				
38	9161.097.150	LEVER FIXING PLATE GREY				
39	0313.003.150	ADJUSTMENT LEVER GREY RAL 7016				
40	9161.080.910	GRINDING ADJUST.M LEVER SILV TURMIX				
41	1505.020	GASKET COFFEE GRINDER UL				
42	9991.103	ANTI VIBRATION FOR COFFEEGRINDER				
43	140230400	SHOCK ABS CONICAL GRINDER SUPP/MAGIC				
44	U201.001	PLAIN WASHER 3,2X3 DIN 7949 GAL				



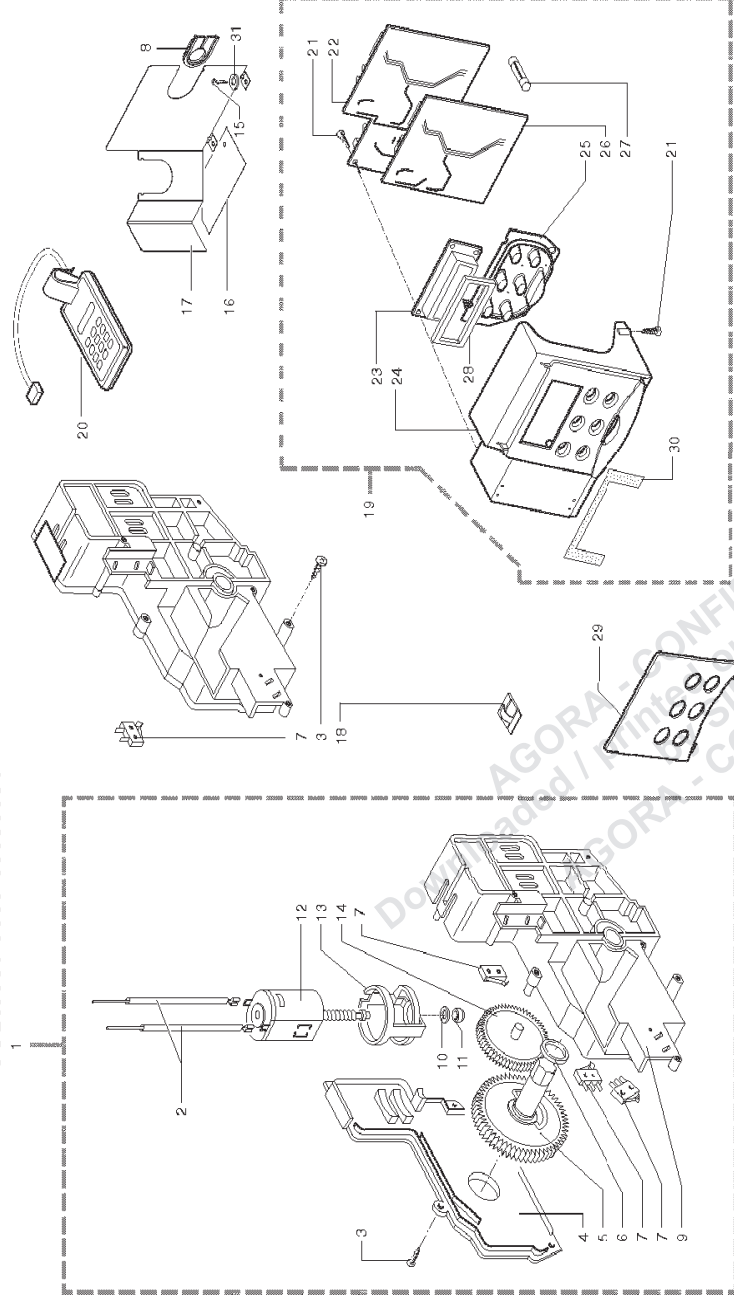
CA SAECO ROYAL PROFESSIONAL

COD.0351-0366-10000094

Edition N°7, Issued the il 31.07.08

TABLE 6 OF 7 E003.051.06

TYPE: SUP 016 RE



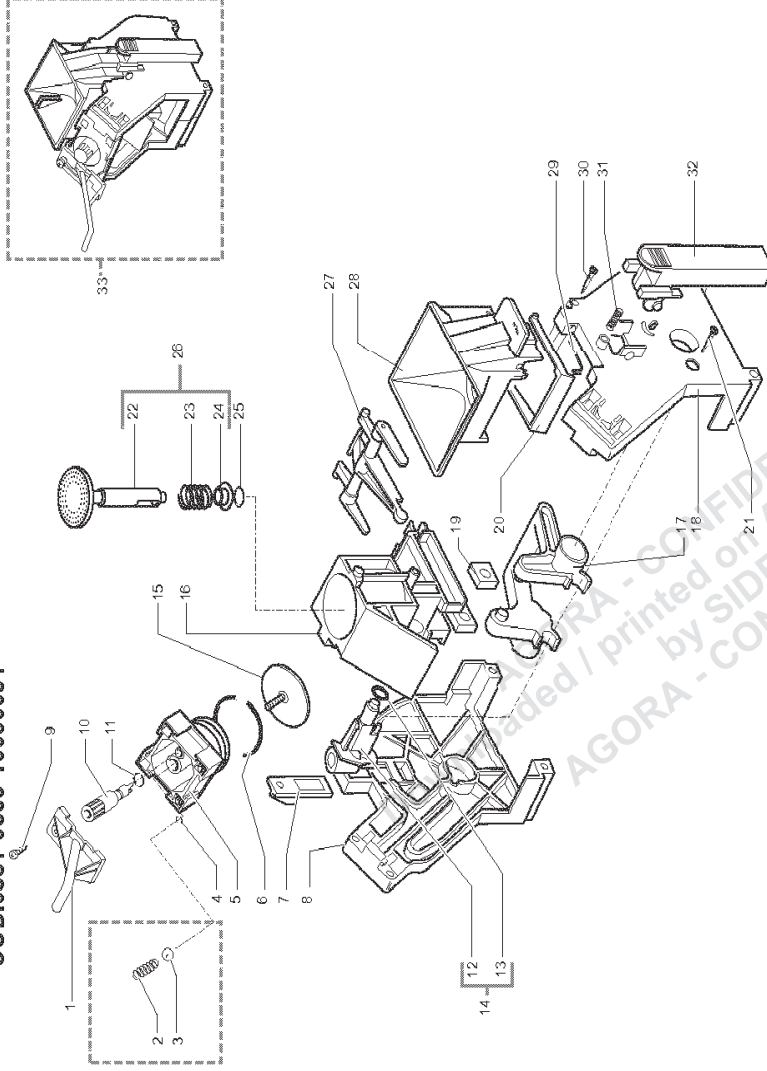
Ref.	Code	Description	Version	Ref.	Code	Description	Version
01	9120.051.150	WIRED RATIO MOTOR ROYAL GREY ASSY.		26	0351.808	CP/TOUCH PANEL PROFESSIONAL WITH INOX BOILER	0351.808
02	9120.057.150	WIRED RATIO MOTOR ROYAL L.L. GREY ASSY. PARTICULAR NOT AVAILABLE	SEE PART N°12	27	0351.821 0351.820 184960400 184960300	CP/TOUCH PANEL PROFESSIONAL 120V CP/TOUCH PANEL PROFESSIONAL 120V FLUSE T8 AMP 5X20 SAND-BLASTED FLUSE T8 AMP 5X20 DELAYED	0351.821 0351.820 J K
03	129670202	TCB PANEL VIT SCREW 3,5X16 TESTAD-R ZNP		28	149090500	DOUBLE SIDED ADHESIVE STRIP	
04	9121.043.150	RATIO MOTOR LID GREY		29	0351.002.770	SILVER SERIGRAPHED ESCUTO-CHEON	
05	9121.063.150	GEAR Z=108 FOR MOUNTING PLATE M4000		30	0354.004.770	SILVER SERIGRAPHED ESCUTO-CHEON ADHESIVE FOR PACKAGING	
06	9161.368	MYLAR WASHER FOR RATIO MOTOR		31	126310404	WASHER UNI 68/2 M4 BURNISHED	CHROME VERS.
07	NE05.038	MICRO SWITCH					
08	9161.429	CABLE CLAMP FOR BRACKET					
09	9121.063.150	RATIO MOTOR CASING WITH GREY TUB ASSY.					
10	148392000	WASHER BAKELIZATE D=5,5					
11	9121.046	SINTERED BUSH FOR MOTOR					
12	9120.053	GEN MOTOR FOR RATIO MOTOR ROYAL DGT AS	WITH PART N°2,13				
13	9120.059	GEN MOTOR FOR RATIO MOTOR ROYAL DGT LAS	WITH PART N°2,13				
14	9121.044	ANTI VIBRATION FOR MOTOR					
15	U110.004	GEAR Z=12/90					
16	0360.025	SCREW AUT TCB 3,5X6,5 DIN 7981 F					
17	9161.427.050	MYLAR GUARD FOR ELECTRONICS					
18	NE17.002	PROTECTION BRACKET					
19	0351.R02.77A	ADH.CABLE RETA ROUND CABLE D=10MM SPARES WHOLE ELECTRONICS					
	0351.R03.77A	WITH ALUMINIUM BOILER SPARES WHOLE ELECTRONICS					
	0351.R03.77F	WITH INOX BOILER SPARES WHOLE ELECTRONICS					
	0351.R01.77A	SPARES WHOLE ELECTRONICS					
	0351.R04.77A	WITH ALUMINIUM BOILER SPARES WHOLE ELECTRONICS					
	0351.R03.77R	WITH INOX BOILER SPARES WHOLE ELECTRONICS					
20	200003922	KIT COMPLETE PROGRAMMER SW SERKIT					
21	129132012	SCREW TCB TORX 10 3X8 PLAST.ZN-B	230V				
22	0314.829.00A	POWER CARD ROYAL PROFESSIONAL	230V				
	0351.804.00A	WITH ALUMINIUM BOILER POWER CARD ROYAL PROFESSIONAL	120V				
	0351.804.00F	WITH INOX BOILER POWER CARD ROYAL PROFESSIONAL					
23	0347.816	DISPLAY FOR ROYAL REDESIGN					
24	110069458	SILVER ELECTRONICS SUPPORT ROYAL					
25	0348.801	WHOLE KEYBOARD DIGITAL PLUS					
26	0351.801	CP/TOUCH PANEL PROFESSIONAL 61					
	0351.802	WITH ALUMINIUM BOILER CP/TOUCH PANEL PROFESSIONAL 61					
	0351.803	WITH ALUMINIUM BOILER CP/TOUCH PANEL PROFESSIONAL WITH INOX BOILER					



CA SAECO ROYAL PROFESSIONAL
COD.0351-0366-10000094

Edition N°7. Issued the 11.31.07.08

TABLE 7 OF 7 **E003.051.07**
 TYPE: SUP 016 RE



Ref.	Code	Description	Version	Ref. Code	Description	Version
01	9161.367.150	GREY COFFEE OUTLET SLEEVE				
02	9161.222	CONICAL SPRING				
03	9991.168	GLASS SPHERE D.5MM				
04	NM02.013	OR ORM 0080.15; TERMOIL				
05	9161.198.150	GREY COUNTERPISTON FOR COFFEE UNIT				
06	NM01.044	OR ORM 0320-40 IN SILICONE PTFE/DA				
07	9161.067.150	GREY REAR PLATE FOR UNIT				
08	9161.070.150	GREY FRONT PLATE FOR UNIT				
09	U140.019	PANEL/IT TGB 3,0X16 DIN 7506 B SS				
10	227470150	PIN BLACK ASS. FOR PERCOLATOR				
	227470159	PIN GREY ASS. FOR PERCOLATOR				
11	NM02.006	OR R5 TERMOIL				
12	9161.064.150	GREY WATER INLET SLEEVE BREW UNIT				
13	NM02.007	OR 2025 TERMOIL				
14	0301.R04.150	SPARE SLEEVE UNIT GREY				
15	223740300	PERCOLATOR DE-35.8 ASSY				
16	9161.075	PERCOLATOR DE-35.8 ELEO ASSY.				
17	9161.196.150	GREY CONTAINER FOR UNIT ASSY.				
18	9161.066.150	ELBOW SHAFT FOR UNIT GREY				
19	9161.071.150	GREY FRONT PLATE FOR UNIT				
20	9161.094.150	GREY DRILLED BLOCK BREW UNIT				
21	9161.060.150	GREY SCRAPER FOR COFFEE UNIT				
22	U140.020	PANEL/IT TGB 3,0X16 DIN 7506 B SS				
23	9161.306.150	GREY INTEGRAL PISTON ASSY.				
24	9161.198	PISTON SPRING BREW UNIT M5000				
25	9161.191	NEUTRAL PISTON BRUSH BREW UNIT M5000				
26	NM02.018	OR ORM 0090.25 TERMOIL				
27	9161.343.150	INTERGRAL PISTON ASS.				
28	9161.065.150	CONNECTING ROD FOR UNIT GREY				
29	9161.128.150	GREY HOPPER FOR UNIT W/ SILK SCREEN PRESS				
30	U109.026	SPRING FOR UNIT SCRAPER				
31	9161.045	SS SCREW A/UT TGB 3,5X19 DIN 7981 C				
32	9161.069.150	GREY HANDGRIP FOR COFFEE UNIT				
33	11003800	BLACK BREW UNIT MAGIC/ROYAL (SEE COD. EXP. E900048) NOTE: FOR SINGLE PARTS OF OLD GRAY BREW UNIT: SEE THIS TABLE				