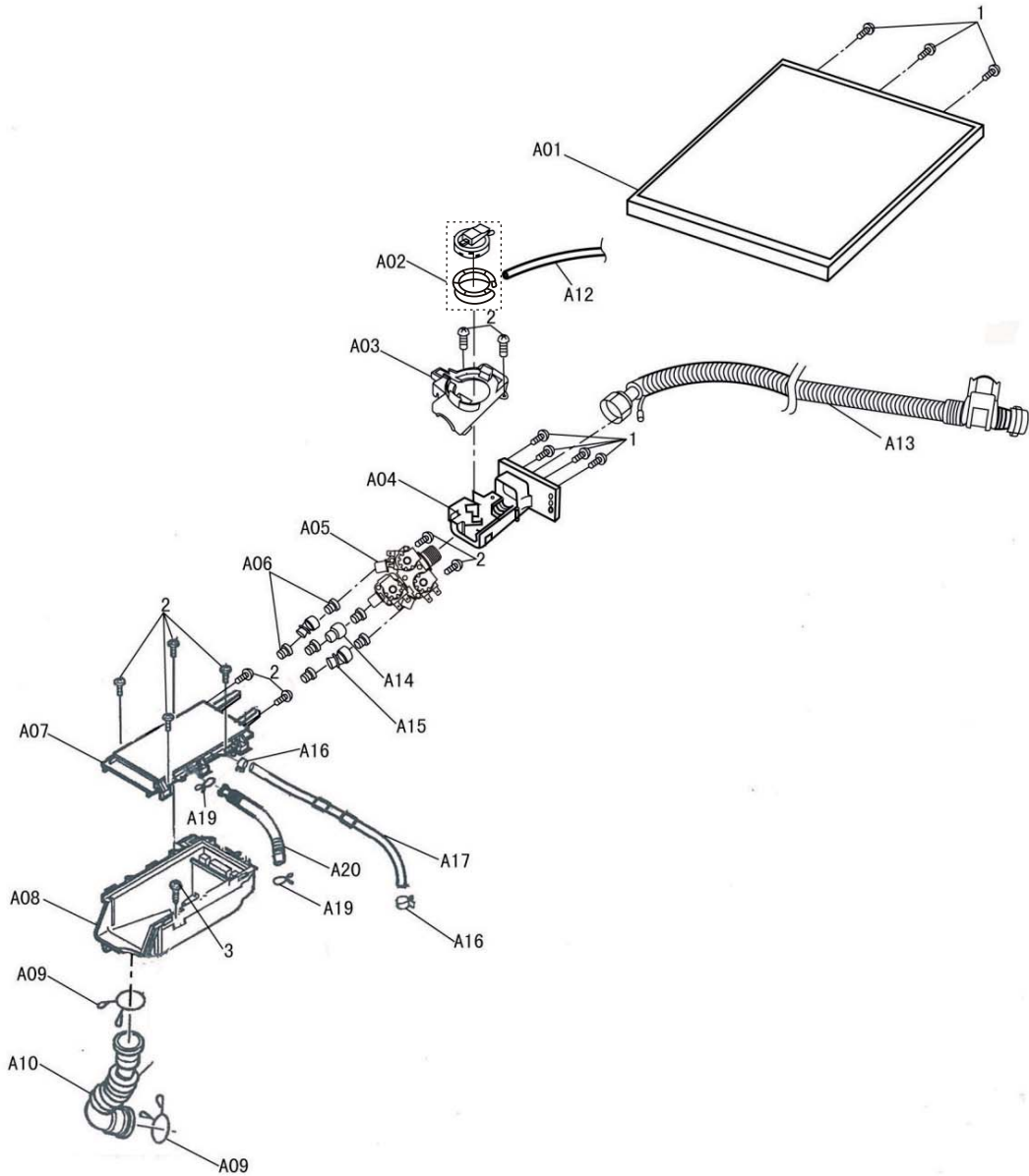


15 LOCATION OF PARTS-A



REPLACEMENT PARTS LIST-A

(U):U indicates parts at the remarks that can be replaced by user.

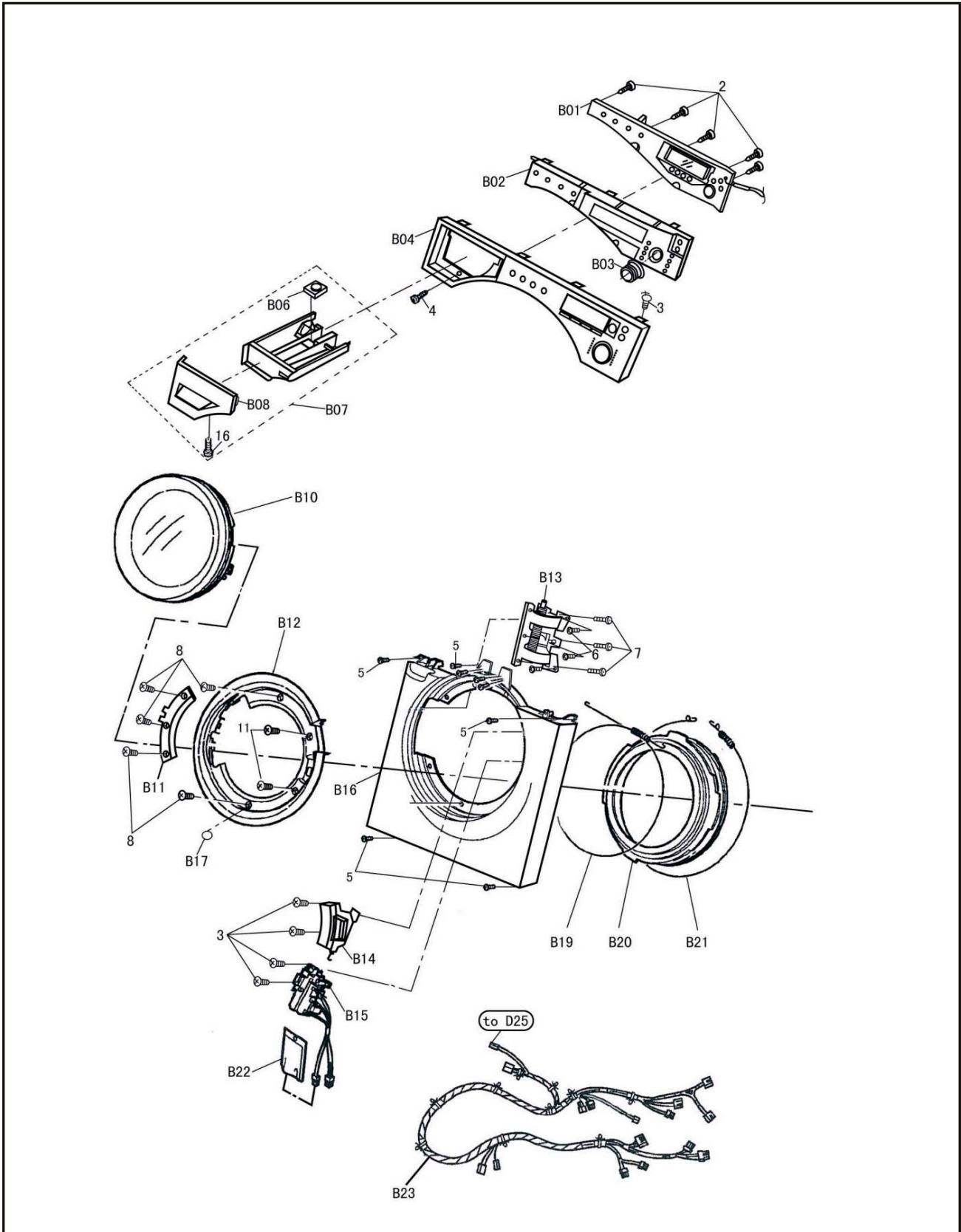
△:Components identified by △ Mark have special characteristics important for safety.

When replacing any of these components use only manufacture's specified parts.

☐:Indicates parts that are supplied by PPSC/Japan.

Ref. No.	Part No.	Description	Q'ty	168VX2	168VG2	148VA2	128VA2	147VB2	Remarks
A01	AXW11NB7FH0	TOP BOARD	1	○	○	○	○	○	(U)
A02	AXW24T-0360	WATER LEVEL DETECTOR	1	○	○	○	○	○	△
A03	AXW1278-7FH0	DETERGENT CASE C	1	○	○	○	○	○	Germany
	AXW1278-7FH0	DETERGENT CASE C	1	○	×	×	×	×	UK/Holand/Belgium/Sweden/Norway/ Denmark/Poland/Czech/Hungary/Romania/ Malaysia/Indonesia
	AXW1278-7FH0	DETERGENT CASE C	1	-	○	×	×	×	France
	AXW1278-7FH0	DETERGENT CASE C	1	○	-	×	×	×	Spain/Italy
	AXW1278-7GY0	DETERGENT CASE C	1	×	○	○	○	○	UK/Holand/Belgium/Sweden/Norway/ Denmark/Poland/Czech/Hungary/Romania
	AXW1278-7GY0	DETERGENT CASE C	1	-	×	○	○	○	France
	AXW1278-7GY0	DETERGENT CASE C	1	×	-	○	○	○	Spain/Italy
	AXW1278-7GY0	DETERGENT CASE C	1	×	-	○	○	-	Malaysia
	AXW1278-7GY0	DETERGENT CASE C	1	×	-	-	○	-	Indonesia
A04	AXW2901-7FH0	FEED VALVE CASE	1	○	○	○	○	○	Germany
	AXW2901-7FH0	FEED VALVE CASE	1	○	×	×	×	×	UK/Holand/Belgium/Sweden/Norway/ Denmark/Poland/Czech/Hungary/Romania/ Malaysia/Indonesia
	AXW2901-7FH0	FEED VALVE CASE	1	-	○	×	×	×	France
	AXW2901-7FH0	FEED VALVE CASE	1	○	-	×	×	×	Spain/Italy
	AXW2901-7GY0	FEED VALVE CASE	1	×	○	○	○	○	UK/Holand/Belgium/Sweden/Norway/ Denmark/Poland/Czech/Hungary/Romania
	AXW2901-7GY0	FEED VALVE CASE	1	-	×	○	○	○	France
	AXW2901-7GY0	FEED VALVE CASE	1	×	-	○	○	○	Spain/Italy
	AXW2901-7GY0	FEED VALVE CASE	1	×	-	○	○	-	Malaysia
	AXW2901-7GY0	FEED VALVE CASE	1	×	-	-	○	-	Indonesia
A05	AXW29A-22006	FEED VALVE	1	○	○	○	○	○	△
A06	AXW2164-6JU0	DETERGENT CASE PACKING	6	○	○	○	○	○	
A07	AXW8E-7FH0	NOZZLE UNIT	1	○	○	○	○	○	
A08	AXW2150-7FH0	DETERGENT CASE A	1	○	○	○	○	○	
A09	AXW245-6TB0	HOSE CLAMP	2	○	○	○	○	○	
A10	AXW1250-7FH0	FEED HOSE	1	○	○	○	○	○	
A12	AXW2Q-7FH0	AIR HOSE A UNIT	1	○	○	○	○	○	
A13	AXW12C-7FH0	WATER SUPPLY HOSE	1	○	○	○	○	○	△ Germany
	AXW12C-7FH0	WATER SUPPLY HOSE	1	○	×	×	×	×	△ UK/Holand/Belgium/Sweden/Norway/Denmark/ Poland/Czech/Hungary/Romania/Malaysia/Indonesia
	AXW12C-7FH0	WATER SUPPLY HOSE	1	-	○	×	×	×	△ France
	AXW12C-7FH0	WATER SUPPLY HOSE	1	○	-	×	×	×	△ Spain/Italy
	AXW12C-7GY1	WATER SUPPLY HOSE	1	×	○	○	○	○	△ UK/Holand/Belgium/Sweden/Norway/ Denmark/Poland/Czech/Hungary/Romania
	AXW12C-7GY1	WATER SUPPLY HOSE	1	-	×	○	○	○	France
	AXW12C-7GY1	WATER SUPPLY HOSE	1	×	-	○	○	○	Spain/Italy
	AXW12C-7GY1	WATER SUPPLY HOSE	1	×	-	○	○	-	Malaysia
	AXW12C-7GY1	WATER SUPPLY HOSE	1	×	-	-	○	-	Indonesia
A14	AXW229-6YK0	HOSE JOINT	1	○	○	○	○	○	
A15	AXW229-7FH0	HOSE JOINT	2	○	○	○	○	○	
A16	AXW264-6YK0	HOSE CLAMP	2	○	○	○	○	○	
A17	AXW2P-7FH0	SUCTION HOSE B UNIT	1	○	○	○	○	○	
A19	AXW264-6WJ0	HOSE CLAMP	2	○	○	○	○	○	
A20	AXW237-7FH0	SUCTION HOSE A	1	○	○	○	○	○	

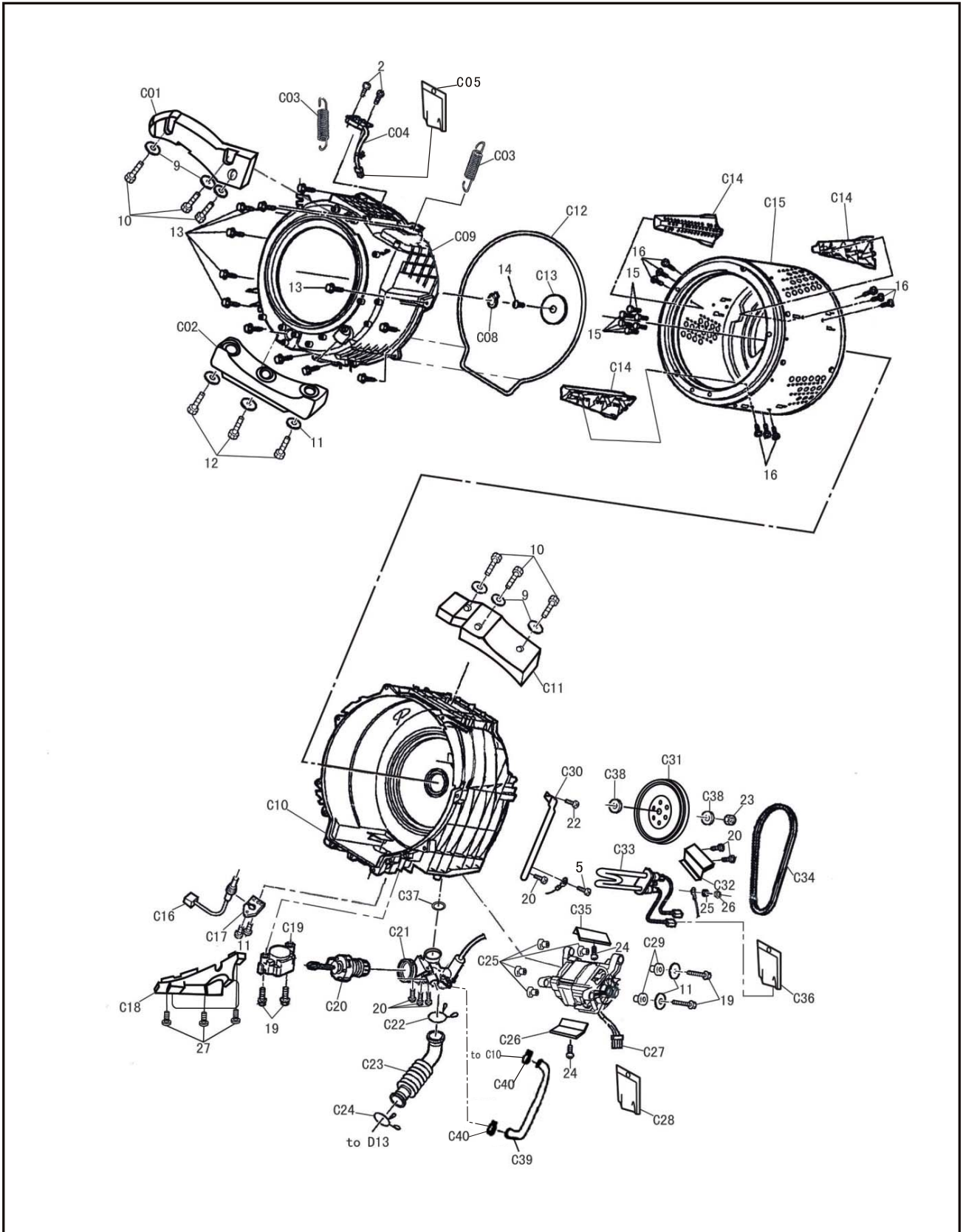
LOCATION OF PARTS-B



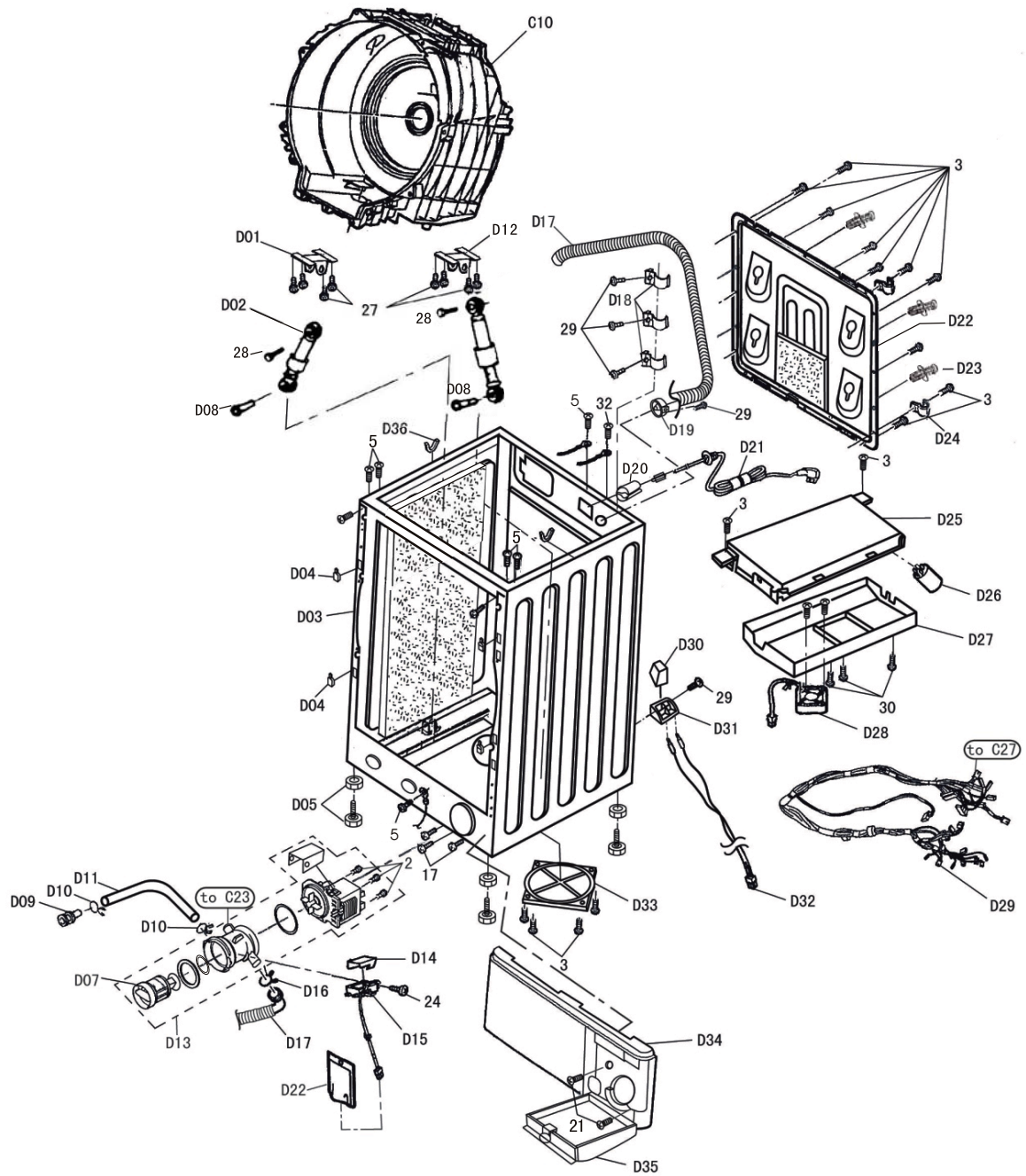
REPLACEMENT PARTS LIST-B

Ref. No.	Part No.	Description	Q'ty	168VX2	168VG2	148VA2	128VA2	147VB2	Remarks
B01	AXW24S-7FH06	CONTROLLER UNIT A	1	○	×	×	×	×	
	AXW24S-7FJ06	CONTROLLER UNIT A	1	×	○	○	○	○	
B02	AXW146-7FH2	CONTROLLER PLATE	1	○	×	×	×	×	
	AXW146-7FJ0	CONTROLLER PLATE	1	×	○	×	×	×	
	AXW146-7FK0	CONTROLLER PLATE	1	×	×	○	×	○	
	AXW146-7MM0	CONTROLLER PLATE	1	×	×	×	○	×	
B03	AXW149A7FH0	COURSE SELECT KNOB	1	○	○	×	×	×	
	AXW149B7FH0	COURSE SELECT KNOB	1	×	×	○	○	○	
B04	AXW1J-7MJ0	PANEL FACE BOARD UNIT	1	○	○	×	×	×	Germany
	AXW1J-7ML0	PANEL FACE BOARD UNIT	1	×	×	○	○	×	Germany
	AXW1J-7FK1	PANEL FACE BOARD UNIT	1	×	×	×	×	○	Germany
	AXW1J-7MP0	PANEL FACE BOARD UNIT	1	○	○	×	×	×	UK/Holand/Belgium/Sweden/Norway/ Denmark/Poland/Czech/Hungary/ Romania/Malaysia/Indonesia
	AXW1J-7MS0	PANEL FACE BOARD UNIT	1	×	×	○	○	×	UK/Holand/Belgium/Sweden/Norway/Denmark
	AXW1J-7GZ1	PANEL FACE BOARD UNIT	1	×	×	×	×	○	UK/Holand/Belgium/Sweden/Norway/Denmark
	AXW1J-7MW0	PANEL FACE BOARD UNIT	1	-	○	×	×	×	France
	AXW1J-7RH0	PANEL FACE BOARD UNIT	1	-	×	○	○	×	France
	AXW1J-7HC1	PANEL FACE BOARD UNIT	1	-	×	×	×	○	France
	AXW1J-7MZ0	PANEL FACE BOARD UNIT	1	○	-	×	×	×	Spain
	AXW1J-7NA0	PANEL FACE BOARD UNIT	1	×	-	○	○	×	Spain
	AXW1J-7HF1	PANEL FACE BOARD UNIT	1	×	-	×	×	○	Spain
	AXW1J-7ND0	PANEL FACE BOARD UNIT	1	○	-	×	×	×	Italy
	AXW1J-7NE0	PANEL FACE BOARD UNIT	1	×	-	○	○	×	Italy
	AXW1J-7RJ0	PANEL FACE BOARD UNIT	1	×	-	×	×	○	Italy
B06	AXW2177A7FH1	SOFTENER CASE CAP	1	○	○	○	○	○	(U)
B07	AXW21D-7MJ0	RINSE CASE UNIT	1	○	×	×	×	×	(U)
	AXW21D-7MK0	RINSE CASE UNIT	1	×	○	×	×	×	(U)
	AXW21D-7ML0	RINSE CASE UNIT	1	×	×	○	×	×	(U)
	AXW21D-7MM0	RINSE CASE UNIT	1	×	×	×	○	×	(U)
	AXW21D-7MN0	RINSE CASE UNIT	1	×	×	×	×	○	(U)
B08	AXW147B7MJ0	PANEL FACE C	1	○	×	×	×	×	(U)
	AXW147B7MK0	PANEL FACE C	1	×	○	×	×	×	(U)
	AXW147B7ML0	PANEL FACE C	1	×	×	○	×	×	(U)
	AXW147B7MM0	PANEL FACE C	1	×	×	×	○	×	(U)
	AXW147B7MN0	PANEL FACE C	1	×	×	×	×	○	(U)
B10	AXW1GH7FH0	DOOR UNIT	1	○	○	○	○	○	(U)
B11	AXW173G7FH0	BODY BAND PLATE	1	○	×	×	×	×	(U)Grey
	AXW173C7FH0	BODY BAND PLATE	1	×	○	○	×	×	(U)Silver
	AXW173B7FH0	BODY BAND PLATE	1	×	×	×	○	○	(U)White
B12	AXW171G7FH0	BODY BAND A	1	○	×	×	×	×	(U)Grey
	AXW171C7FH0	BODY BAND A	1	×	○	○	×	×	(U)Silver
	AXW171B7FH0	BODY BAND A	1	×	×	×	○	○	(U)White
B13	AXW11D-7FH0	DOOR HINGE	1	○	○	○	○	○	
B14	AXW7CG7FH0	DOOR BUTTON	1	○	×	×	×	×	Grey
	AXW7CC7FH0	DOOR BUTTON	1	×	○	○	×	×	Silver
	AXW7CB7FH0	DOOR BUTTON	1	×	×	×	○	○	White
B15	AXW1619-1106	DOOR LOCK SWITCH	1	○	○	○	○	○	△
B16	AXW1BB7FH0	BODY B UNIT	1	○	○	○	○	○	
B17	AXW163N6YK0	HOLE COVER	7	○	×	×	×	×	(U)Grey
	AXW163M6YK0	HOLE COVER	7	×	○	○	×	×	(U)Silver
	AXW163B6YK0	HOLE COVER	7	×	×	×	○	○	(U)White
B19	AXW172-6UN1	BODY BAND B	1	○	○	○	○	○	
B20	AXW212-7EU0	WRINGER FRAME PACKING	1	○	○	○	○	○	
B21	AXW172-6UN0	BODY BAND B	1	○	○	○	○	○	
B22	AXW448-7KU0	CHEMIAL COVER	1	○	○	○	○	○	
B23	AXW14A-7FH0	LEAD WIRE UNIT	1	○	○	○	○	○	△Upper side

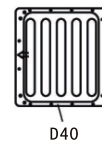
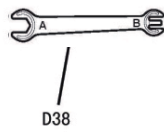
LOCATION OF PARTS-C



LOCATION OF PARTS-D



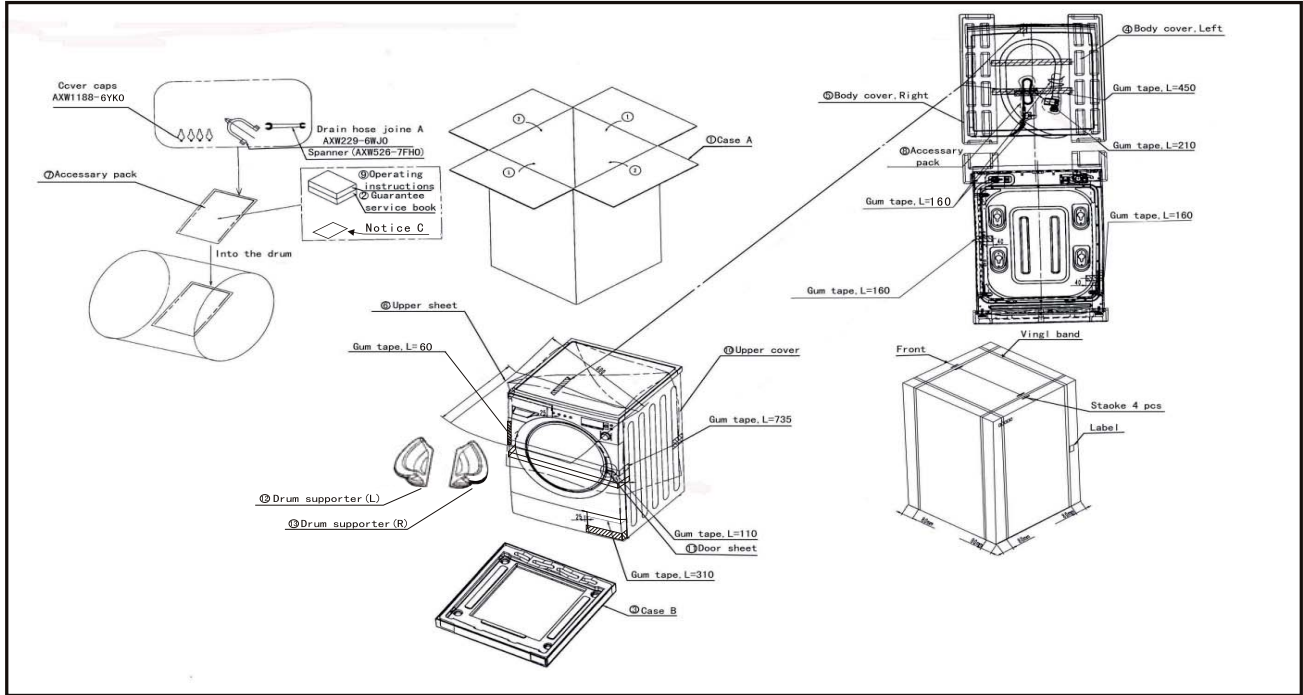
Accessories



REPLACEMENT PARTS LIST-D

Ref. No.	Part No.	Description	Q'ty	168VX2	168VG2	148VA2	128VA2	147VB2	Remarks
D01	AXW1150-7FH0	TUB SUPPORT PLATE	1	○	○	○	○	○	
D02	AXW2331-7MJ0	DAMPER SPRING	2	○	○	○	○	×	
	AXW2331-6YK2	DAMPER SPRING	2	×	×	×	×	○	
D03	AXW1AB7FH0	BODY UNIT	1	○	○	○	○	○	Includes D05
D04	AXW135-7FH0	HOOK	4	○	○	○	○	○	
D05	AXW3I-7EU0	LEG PLATE UNIT	4	○	○	○	○	○	(U)
D07	AXW2205A7FH0	DRAIN FILTER	1	○	○	○	○	○	(U) Includes Seal ring
D08	AXW334-6YK0	DAMPER HOLDER PIN	2	○	○	○	○	○	
D09	AXW260-6WJ0	SUB DRAIN PORT CAP	1	○	○	○	○	○	(U)
D10	AXW264-6WJ0	HOSE CLAMP	2	○	○	○	○	○	(U)
D11	AXW230-7FH0	DRAIN HOSE A	1	○	○	○	○	○	
D12	AXW1150-7FH1	TUB SUPPORT PLATE	1	○	○	○	○	○	
D13	AXW8R-7FH0	DRAINING PUMP UNIT	1	○	○	○	○	○	△ Includes D07
D14	AXW686-7EP0	WATERPROOF COVER	1	○	○	○	○	○	
D15	AXW26M-7FH0	FILTER VALVE LEAD SWITCH	1	○	○	○	○	○	△
D16	AXW245-6WJ4	HOSE CLAMP	1	○	○	○	○	○	
D17	AXW2EA7FH0	DRAINING HOSE UNIT	1	○	○	○	○	○	
D18	AXW120A7FH0	DRAIN HOSE HOLDER	3	○	○	○	○	○	(U)Inside
D19	AXW170A7FH0	DRAIN HOSE HOLDER	1	○	○	○	○	○	
D20	SFT-72SN	MAGNET RING	1	○	○	○	○	○	△
D21	AXW4A-7FH0	POWER CORD	1	○	○	○	○	○	△ Germany/France/Spain/Holand/ Belgium/Sweden/ Norway/Denmark/ Poland/Czech/Hungary/Romania
	AXW4A-7GX0	POWER CORD	1	○	○	○	○	○	△ UK
	AXW4A-7LA0	POWER CORD	1	○	○	○	○	○	△ Italy
	AXW4A-7KL0	POWER CORD	1	○	-	○	○	-	△ Malaysia/Indonesia
D22	AXW156-7FH0	REAR PANEL	1	○	○	○	○	○	(U)
D23	AXW90E-7FH1	OUTER TUB HOLDER UNIT	4	○	○	○	○	○	(U)
D24	AXW120A7FH1	DRAIN HOSE HOLDER	3	○	○	○	○	○	(U)Outside
D25	AXW24C-7MJ06	PC BOARD W/COMPONENTS	1	○	×	×	×	×	△
	AXW24C-7MK06	PC BOARD W/COMPONENTS	1	×	○	×	×	×	△Germany/France
	AXW24C-7MR06	PC BOARD W/COMPONENTS	1	×	○	×	×	×	△ UK/Holand/Belgium/Sweden/ Norway/Denmark/Poland/Czech/ Hungary/Romania
	AXW24C-7ML06	PC BOARD W/COMPONENTS	1	×	×	○	×	×	△Germany
	AXW24C-7MS06	PC BOARD W/COMPONENTS	1	×	×	○	×	×	△ UK/France/Spain/Italy/Holand/ Belgium/Sweden/Norway/Denmark/ Poland/Czech/Hungary/Romania/Malaysia
	AXW24C-7MM06	PC BOARD W/COMPONENTS	1	×	×	×	○	×	△Germany
	AXW24C-7MT06	PC BOARD W/COMPONENTS	1	×	×	×	○	×	△UK/France/Spain/Italy/Holand/Belgium/ Sweden/Norway/Denmark/Poland/Czech/ Hungary/Romania/Malaysia/Indonesia
	AXW24C-7FK06	PC BOARD W/COMPONENTS	1	×	×	×	×	○	△Germany
	AXW24C-7GZ06	PC BOARD W/COMPONENTS	1	×	×	×	×	○	△ UK/France/Spain/Italy/Holand/ Belgium/Sweden/Norway/Denmark/ Poland/Czech/Hungary/Romania
D26	AXW2430-0400	NOISE FILTER	1	○	○	○	○	○	△
D27	AXW542-7FH0	PC BOARD COVER C	1	○	○	○	○	○	
D28	L6FAKEDH0014	FAN UNIT	1	○	○	○	○	○	△
D29	AXW14B-7FH0	LEAD WIRE UNIT B	1	○	○	○	○	○	△ Lower side
D30	AXW621-7FH0	SWITCH PLATE A	1	○	○	○	○	○	
D31	AXW624-7FH0	SWITCH PLATE B	1	○	○	○	○	○	
D32	AXW14A-7FH1	WATER LEAK SENSOR	1	○	○	○	○	○	△
D33	AXW2159-7FH0	BOTTOM PLATE A	1	○	○	○	○	○	Includes Seal ring
D34	AXW130B7FH0	PANEL A	1	○	○	○	○	○	Includes Label
D35	AXW140B7FH0	PANEL B	1	○	○	○	○	○	(U)
D36	AXW3440-7FH0	SUSPENSION HOLDER	2	○	○	○	○	○	
D37	AXW1188-6YK0	COVER CAPS	4	○	○	○	○	○	(U)
D38	AXW526-7FH0	SPANNER	1	○	○	○	○	○	(U)
D39	AXW229-6WJ0	DRAIN HOSE JOINT A	1	○	○	○	○	○	(U)
D40	AXW4595-7FH0	METAL COVER(NOT PAINTED)	1	○	○	○	○	○	(U)
	AXW4595-7KG0	METAL COVER(WHITE)	1	○	○	○	○	○	(U)

PACKING INSTRUCTIONS



PACKING PARTS LIST

Ref. No.	Part No.	Description	Q'ty	168VX2	168VG2	148VA2	128VA2	147VB2	Remarks
1	AXW9001-7MJ1	CASE A	1	○	×	×	×	×	Germany/UK/Spain/Italy/Holand/Belgium/Sweden/Norway/Denmark/Poland/Czech/Hungary/Romania/Malaysia
	AXW9001-7MK1	CASE A	1	×	○	×	×	×	Germany/UK/France/Holand/Belgium/Sweden/Norway/Denmark/Poland/Czech/Hungary/Romania
	AXW9001-7ML1	CASE A	1	×	×	○	×	×	Germany/UK/France/Spain/Italy/Holand/Belgium/Sweden/Norway/Denmark/Poland/Czech/Hungary/Romania/Malaysia
	AXW9001-7MM1	CASE A	1	×	×	×	○	×	Germany/UK/France/Spain/Italy/Holand/Belgium/Sweden/Norway/Denmark/Poland/Czech/Hungary/Romania/Malaysia
	AXW9001-7MN1	CASE A	1	×	×	×	×	○	Germany/UK/France/Spain/Italy/Holand/Belgium/Sweden/Norway/Denmark/Poland/Czech/Hungary/Romania
	AXW9001-7TJ0	CASE A	1	○	-	-	×	-	Indonesia
	AXW9001-7TH0	CASE A	1	×	-	-	○	-	Indonesia
2	AXW9923-7FH1	GUARANTEE SERVICE BOOK	1	○	○	○	○	○	
	AXW9923-7RV1	GUARANTEE SERVICE BOOK	1	○	-	×	×	-	Malaysia
	AXW9923-7RW1	GUARANTEE SERVICE BOOK	1	×	-	○	×	-	Malaysia
	AXW9923-7RX1	GUARANTEE SERVICE BOOK	1	×	-	×	○	-	Malaysia
	AXW9923-7TJ0	GUARANTEE SERVICE BOOK	1	○	-	-	×	-	Indonesia
	AXW9923-7TH0	GUARANTEE SERVICE BOOK	1	×	-	-	○	-	Indonesia
3	AXW90B-7FH0	CASE B	1	○	○	○	○	○	
4	AXW9004-7FH0	BODY COVER(L)	1	○	○	○	○	○	
5	AXW9004-7FH1	BODY COVER(R)	1	○	○	○	○	○	
6	AXW9069-7FH0	UPPER SHEET	1	○	○	○	○	○	
7	AXW9057-7FH3	ACCESSORY PACK	1	○	○	○	○	○	Operating instructions
8	AXW9057-7FH1	ACCESSORY PACK	3	○	○	○	○	○	Power cord
9	AXW4F-7MJ0	OPERATING INSTRUCTIONS	1	○	○	○	○	○	Germany
	AXW4F-7MP0	OPERATING INSTRUCTIONS	1	○	○	○	○	○	UK
	AXW4F-7MW0	OPERATING INSTRUCTIONS	1	-	○	○	○	○	France
	AXW4F-7MZ0	OPERATING INSTRUCTIONS	1	○	-	○	○	○	Spain
	AXW4F-7ND0	OPERATING INSTRUCTIONS	1	○	-	○	○	○	Italy
	AXW4F-7NG0	OPERATING INSTRUCTIONS	1	○	○	○	○	○	Holand/Belgium/Sweden/Norway/Danmark/Poland/Czech/Hungary/Romania
	AXW4F-7TJ0	OPERATING INSTRUCTIONS	1	○	-	-	○	-	Indonesia
	AXW4F-7RV0	OPERATING INSTRUCTIONS	1	○	-	○	○	-	Malaysia
10	AXW9060-7FH0	UPPER COVER	1	○	○	○	○	○	
11	AXW9070-7BB0	DOOR SHEET	1	○	○	○	○	○	
12	AXW9054-7FH1	DRUM SUPPORTER	1	○	○	○	○	○	
	AXW9054-7FH2	DRUM SUPPORTER	1	○	○	○	○	○	

