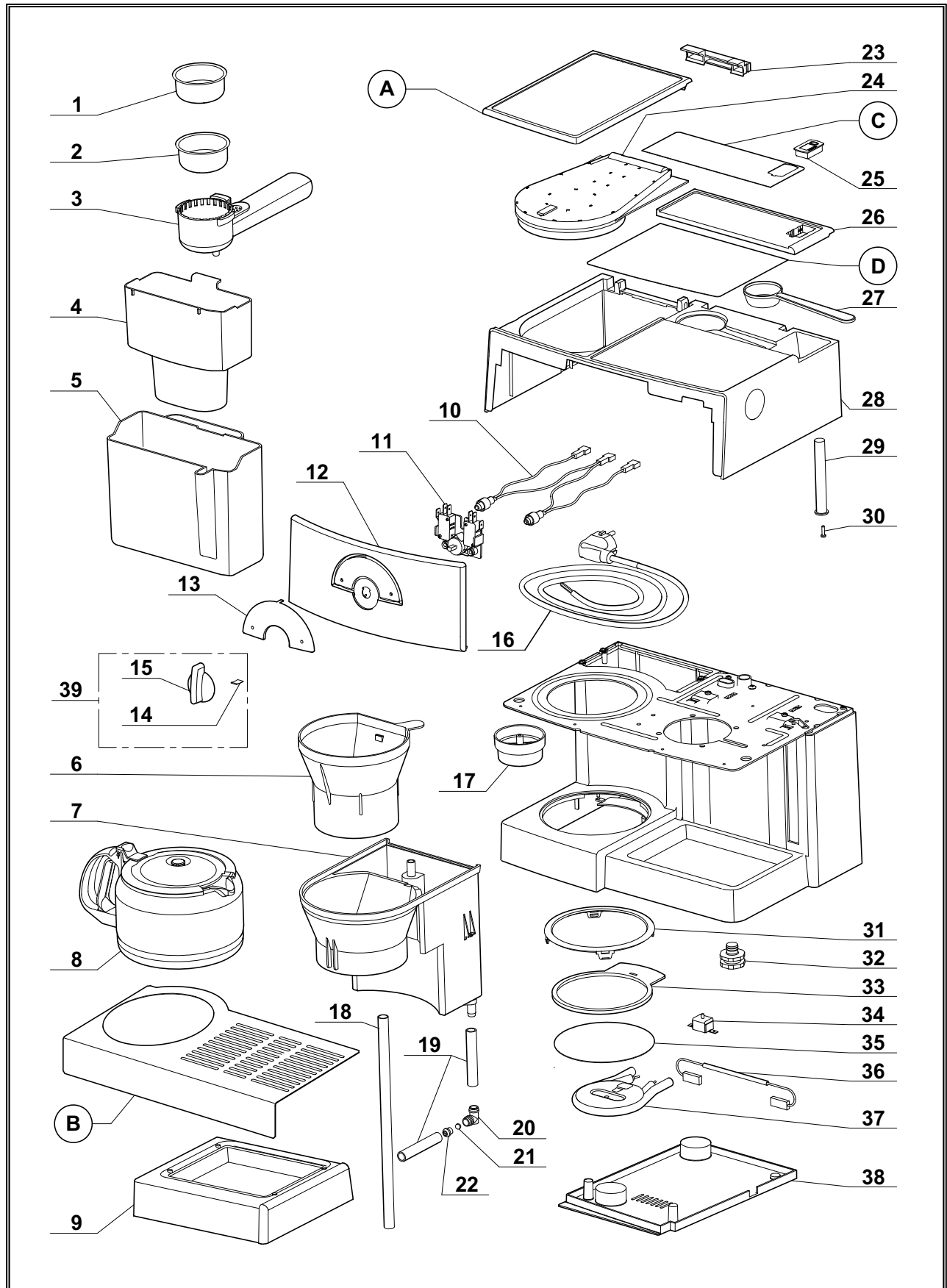


11420

# L'ESPRESSO FILTRE MANUEL

Sommaire / Summary

Espresso  
Espresso machine

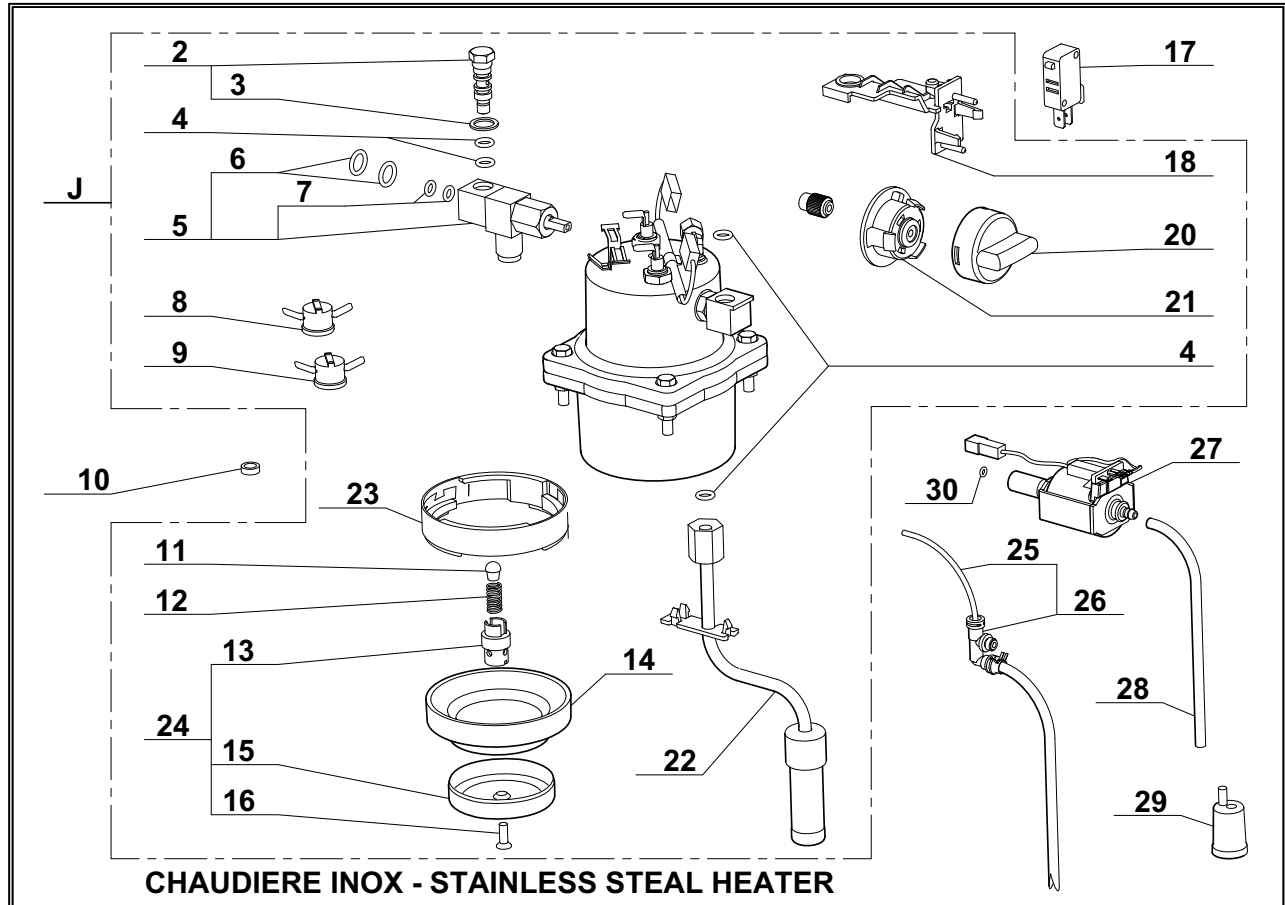


# 11420

## L'ESPRESSO FILTRE MANUEL

Sommaire / Summary

Expresso  
Expresso machine



**CHAUDIERE INOX - STAINLESS STEEL HEATER**

Index	Pièce / Part	Désignation	Description
J	504 834	CHAUDIERE INOX	STAINLESS STEEL HEATER
2	503 766	VIS TUBE	SCREW TUBE
3	503 767	JOINT 14 x 9	SEAL 14 x 9
4	503 768	JOINT TORIQUE 5,7 x 1,9	O-RING 5,7 x 1,9
5	503 772	ROBINET VAPEUR	STEAM TAP
6	503 770	JOINT TORIQUE 9 x 2	O-RING 9 x 2
7	503 771	JOINT TORIQUE 5,28 x 1,78	O-RING 5,28 x 1,78
8	503 764	THERMOSTAT 95°C	THERMOSTAT 95°C
9	502 218	THERMOSTAT 130°C	THERMOSTAT 130°C
10	503 779	RONDELLE PLASTIQUE	PLASTIQUE WASHER
11	502 226	BOUTON SOUPE	VALVE
12	502 225	RESSORT SOUPE	VALVE SPRING
13	504 803	SUPPORT SOUPE	VALVE SUPPORT
14	502 227	JOINT PORTE FILTRE	HEATER SEAL
15	504 660	PASSOIR	STRAINER
16	504 659	VIS DE FIXATION	SCREW
17	503 776	MICRO SWITCH	MICRO SWITCH
18	503 769	SUPPORT SWITCH	SWITCH SUPPORT
20	503 762	BOUTON VAPEUR	STEAM KNOB
21	503 773	CAME ROBINET	TAP CAM
22	504 832	BUSE	STEAM TUBE
23	505 028	RAMPE	SADDLE
24	9 115	SUPPORT SOUPE + PASSOIR + VIS	VALVE SUPPORT + STRAINER + SCREW
25	505 688	TUYAU + OLIVE + ECROU	TUBE + OLIVE + SCREW
26	504 906	ANTI GOUTTE	ANTI DROP
27	504 828	POMPE 19 BAR	PUMP
28	502 204	TUYAU 5/8	HOSE 5/8
29	504 830	JOINT POMPE	O-RING OF PUMP
30	502 213	FILTRE	FILTER

Maj : 10/2013

REV :