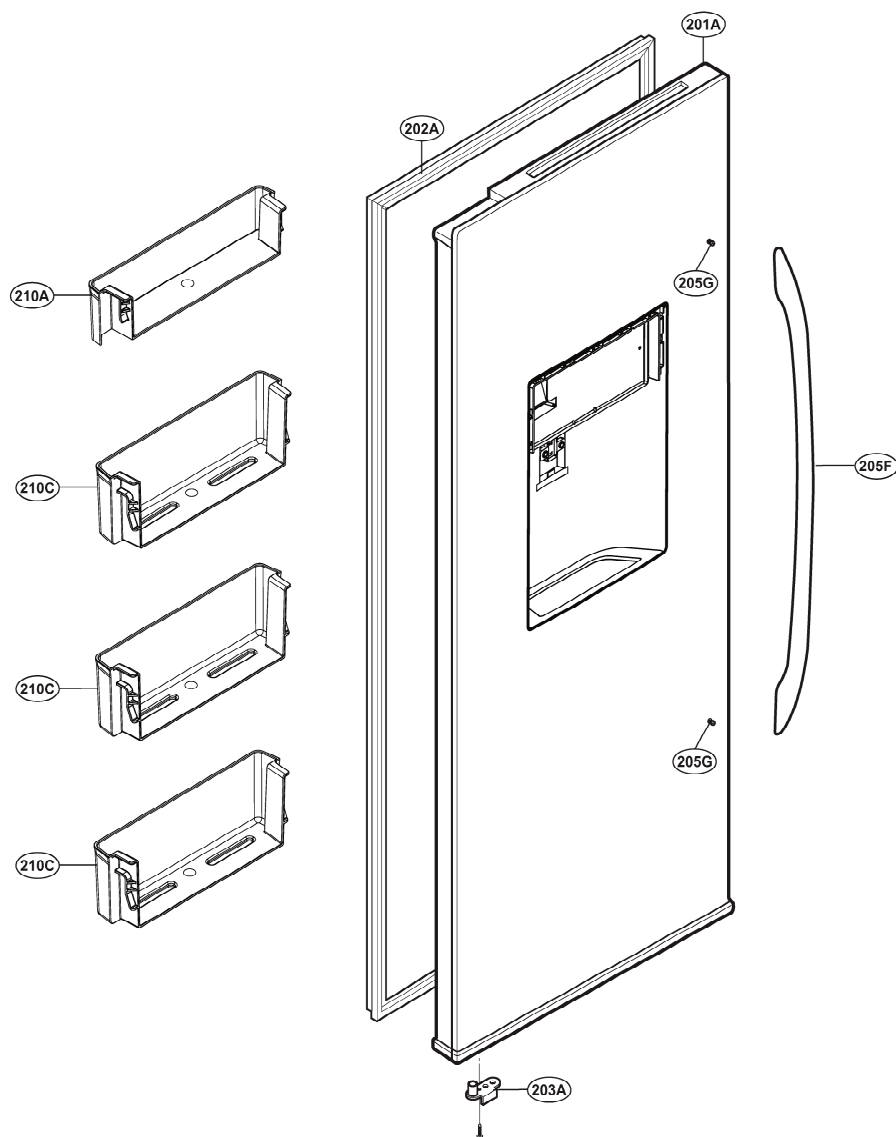


EXPLODED VIEW

FREEZER DOOR PART

Ref No.:GSP325**** GSL325****

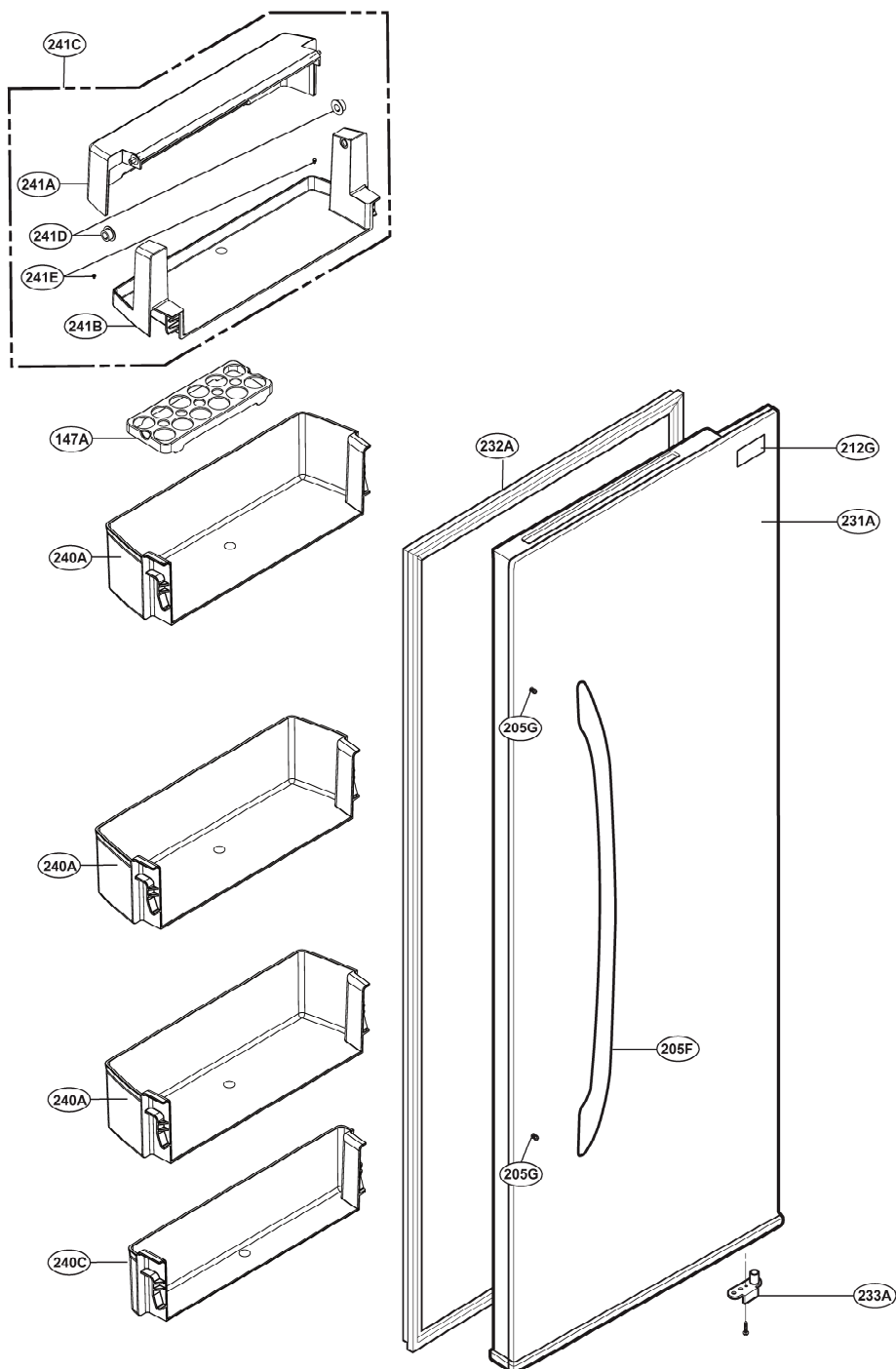


▼ The parts of refrigerator and the shape of each part are subject to change in different localities.

EXPLODED VIEW

REFRIGERATOR DOOR PART

Ref No.: GSL325**** GSB325****

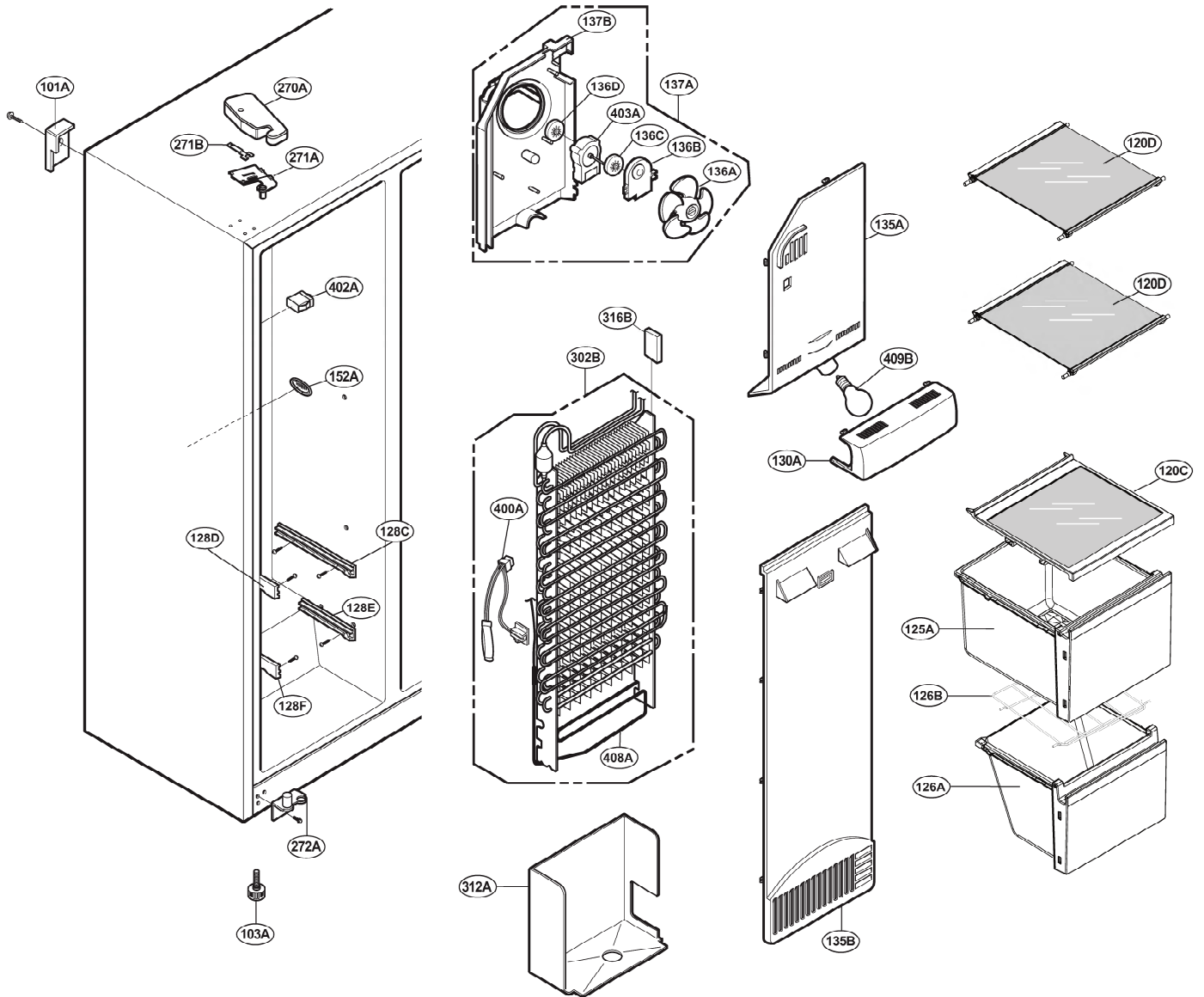


▼ The parts of refrigerator and the shape of each part are subject to change in different localities.

EXPLODED VIEW

FREEZER COMPARTMENT

Ref No.: GSP325**** GSL325****

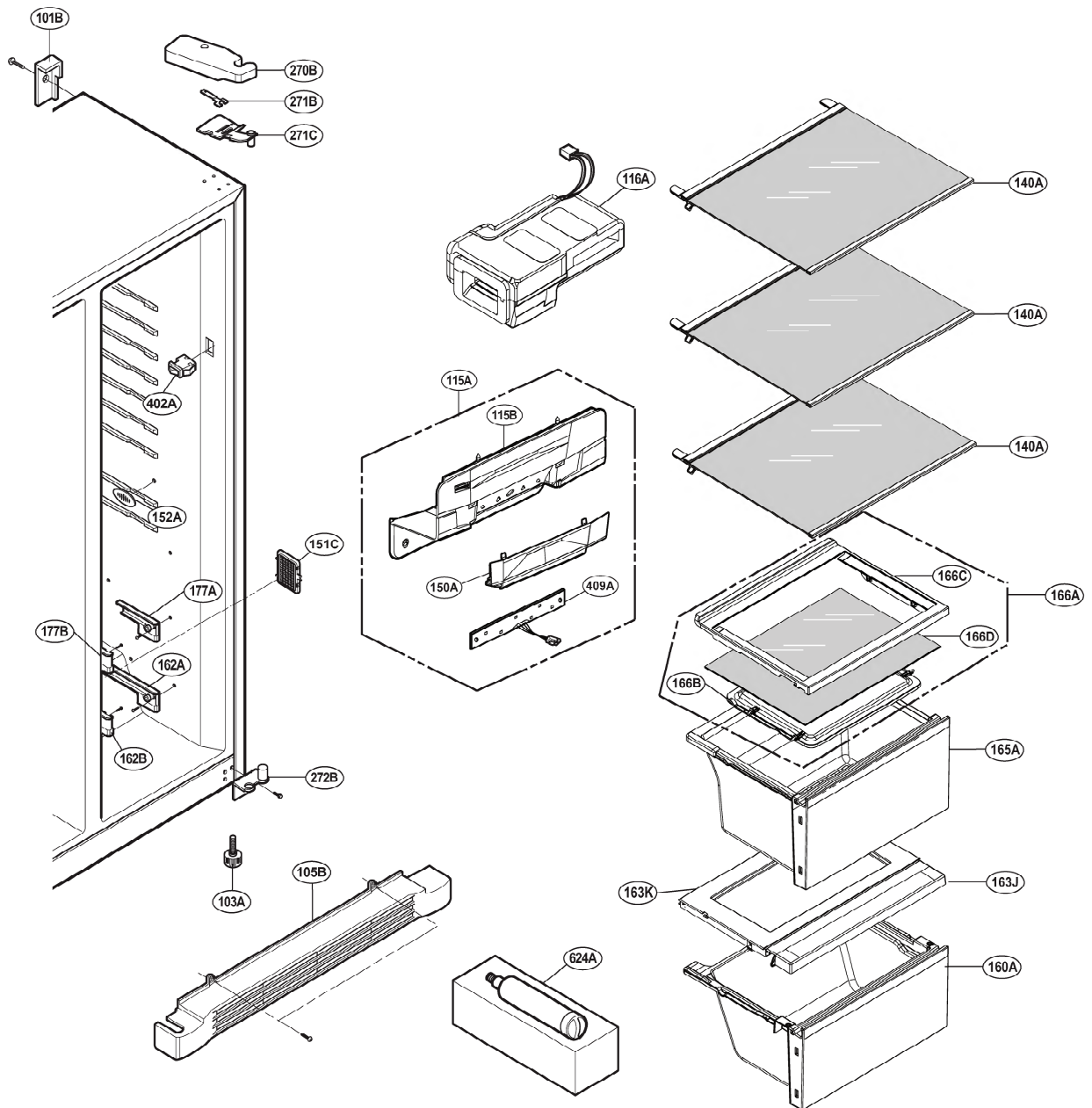


▼ The parts of refrigerator and the shape of each part are subject to change in different localities.

EXPLODED VIEW

REFRIGERATOR COMPARTMENT

Ref No.: GSP325**** GSL325****

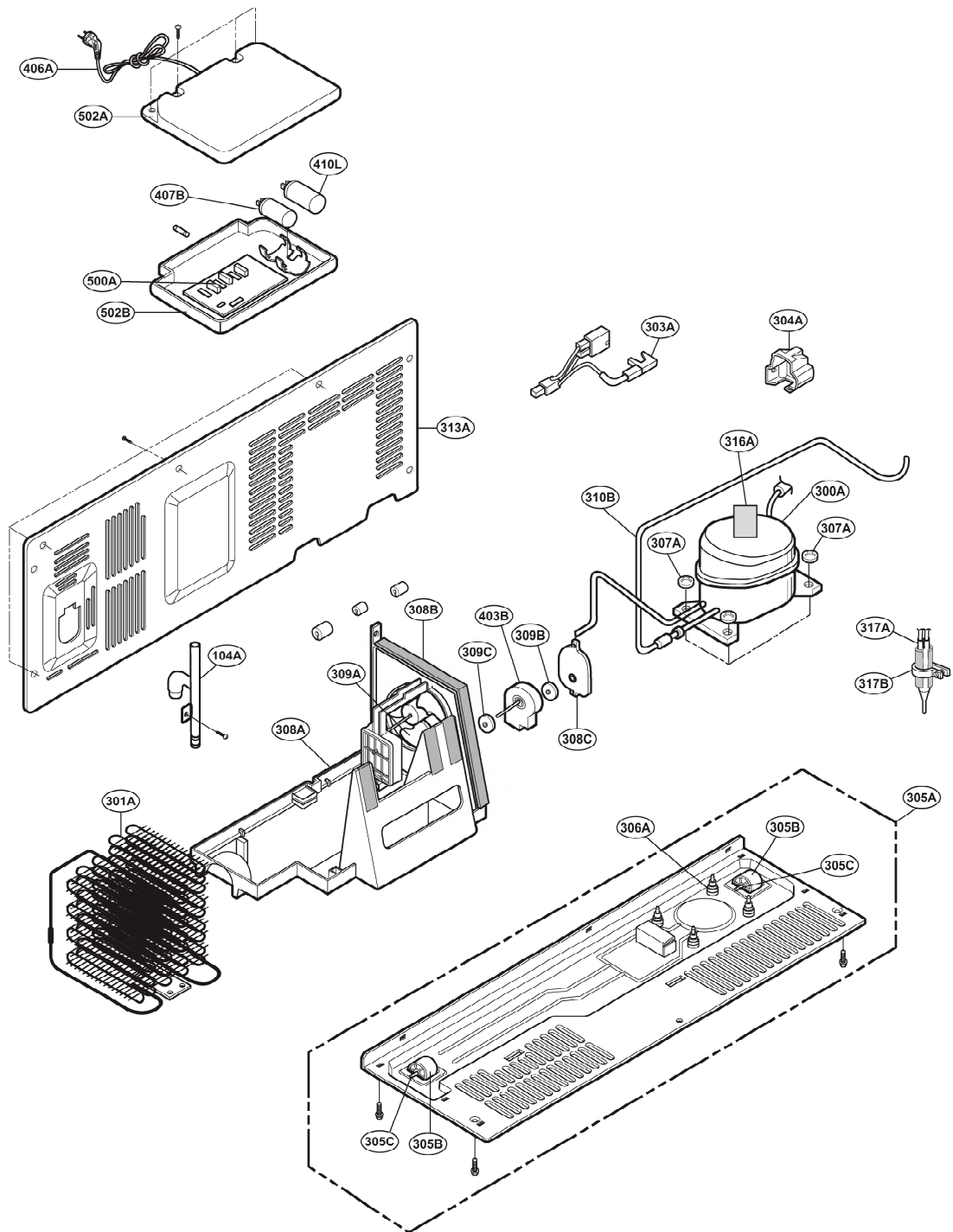


☒ The parts of refrigerator and the shape of each part are subject to change in different localities.

EXPLODED VIEW

MACHINE COMPARTMENT

Ref No.: GS*325***V

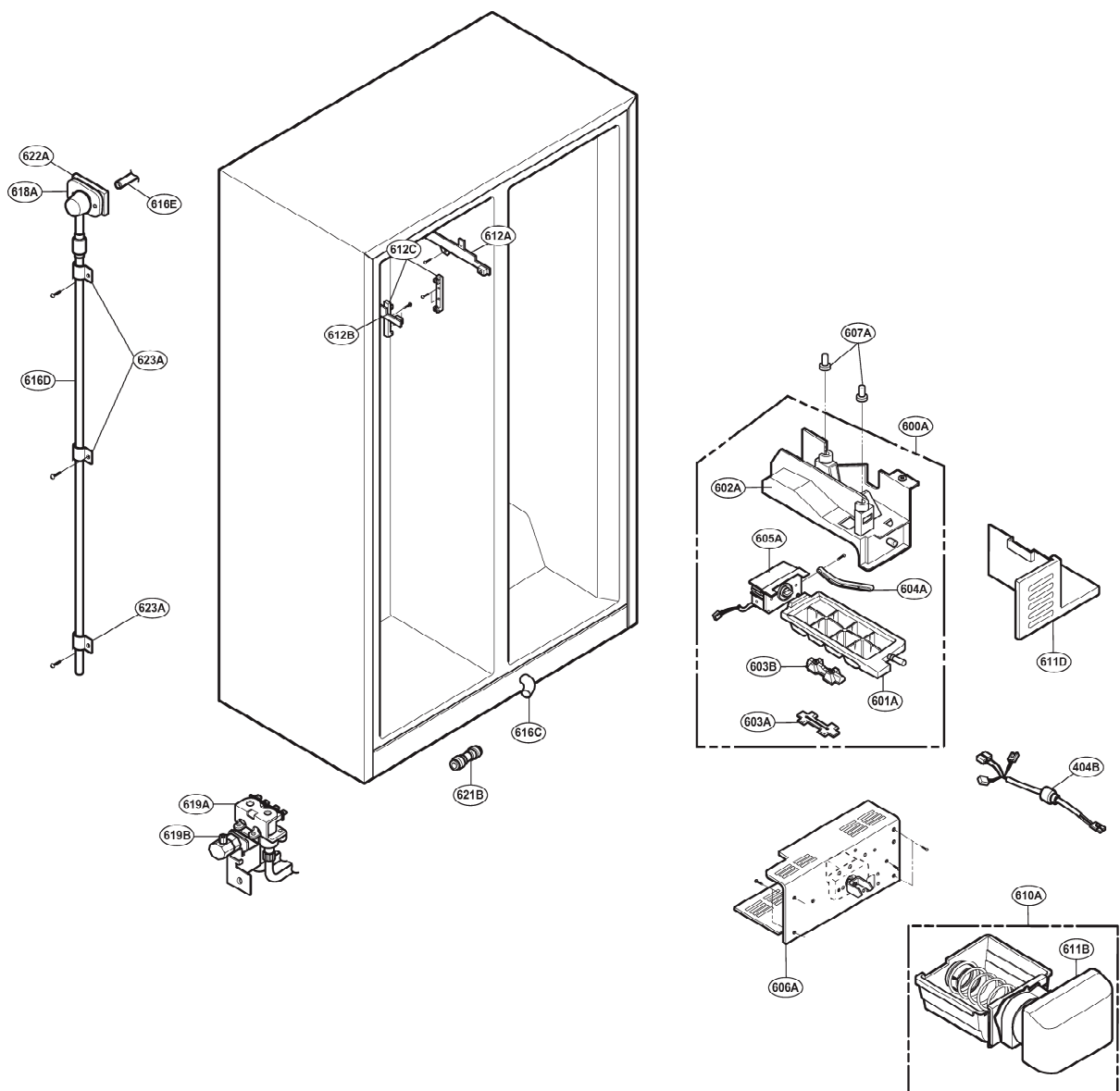


▼ The parts of refrigerator and the shape of each part are subject to change in different localities.

EXPLODED VIEW

ICE & WATER PART

Ref No.: GSP325**** GSL325****

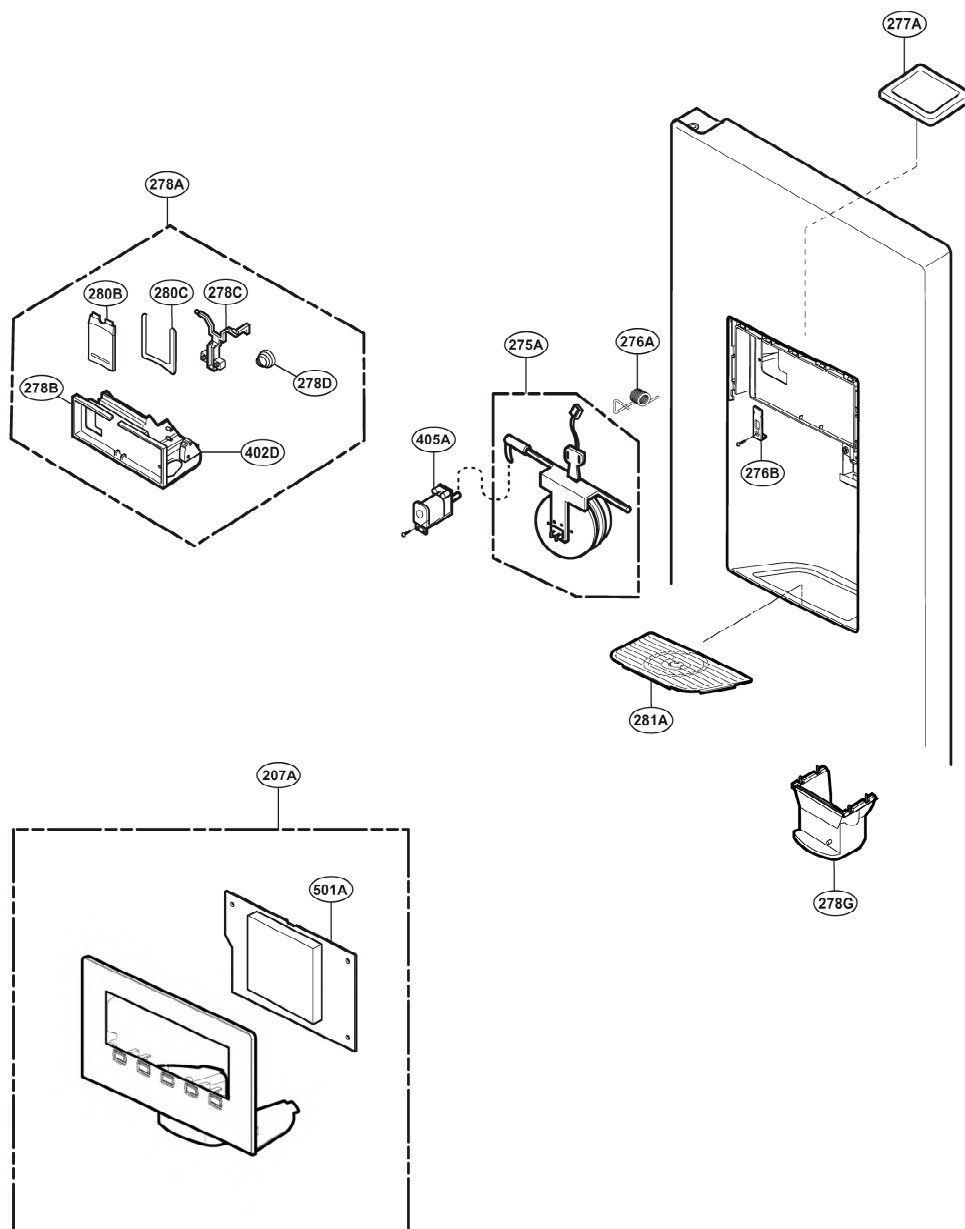


▼ The parts of refrigerator and the shape of each part are subject to change in different localities.

EXPLODED VIEW

DISPENSER PART

Ref No.: GSP325**** GSL325****



▼ The parts of refrigerator and the shape of each part are subject to change in different localities.