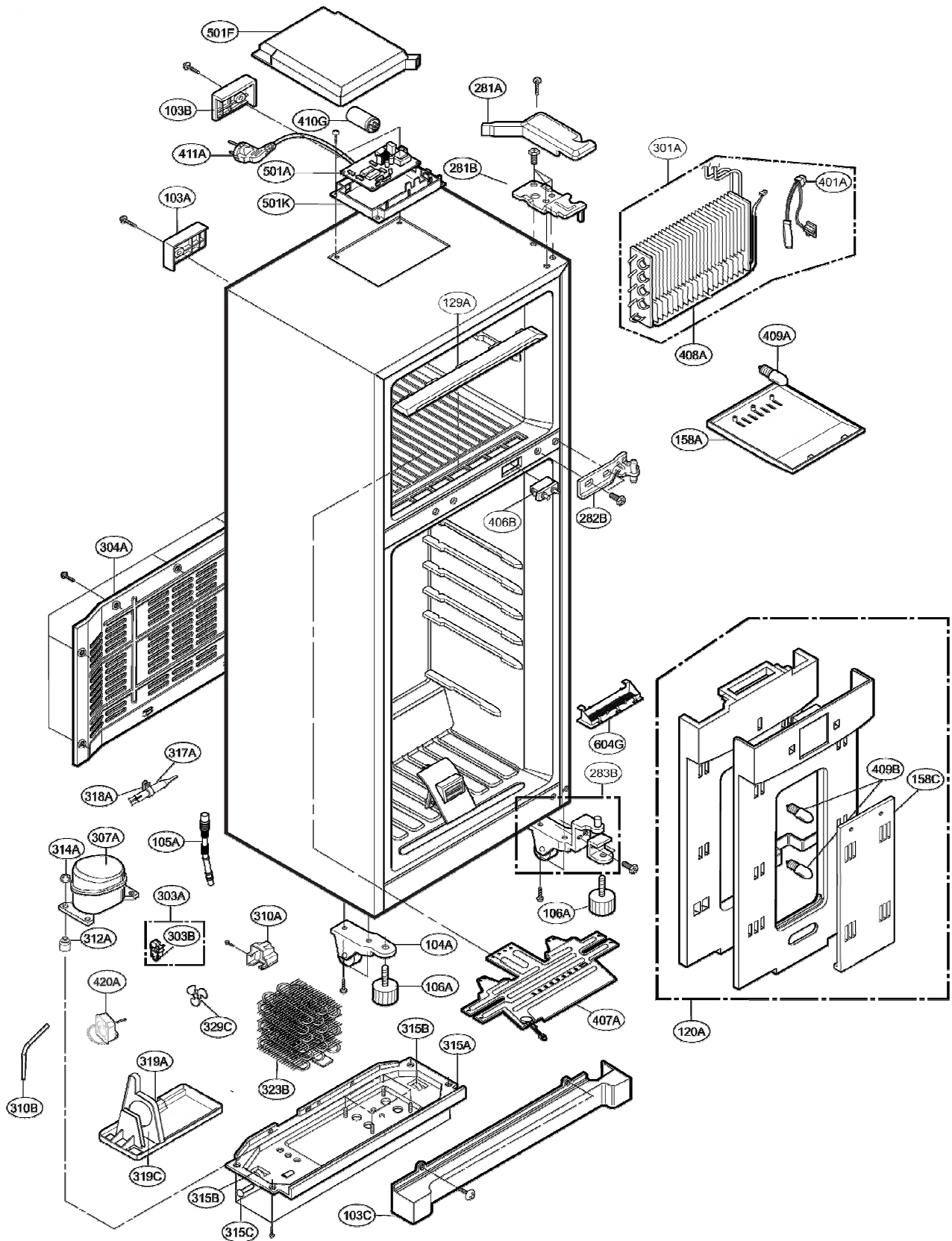


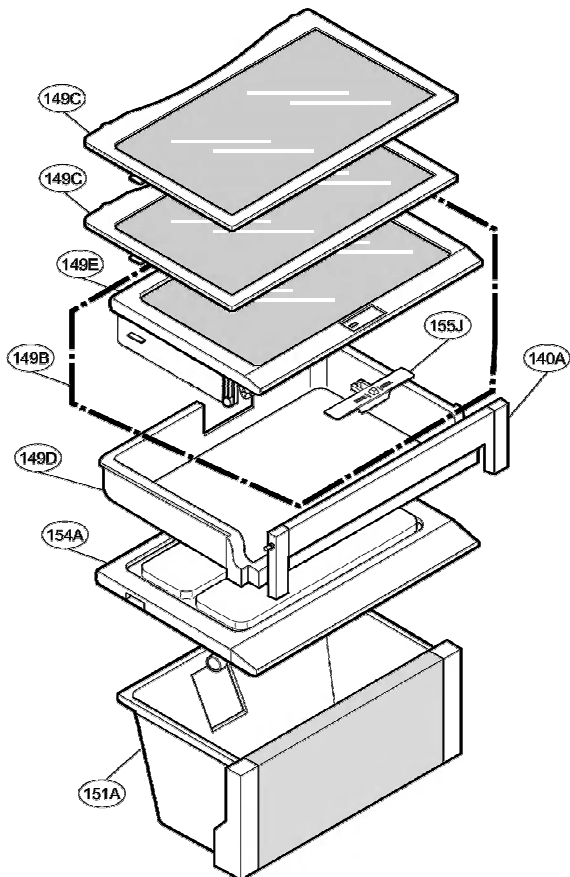
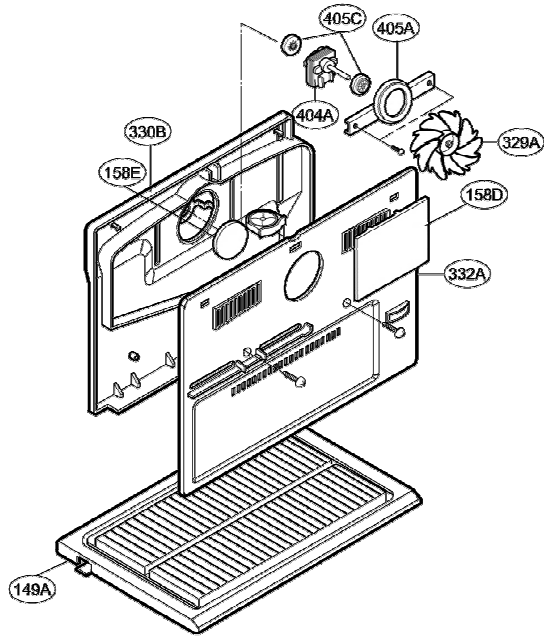
# 8. EXPLODED VIEW & REPLACEMENT PARTS LIST

8-1.

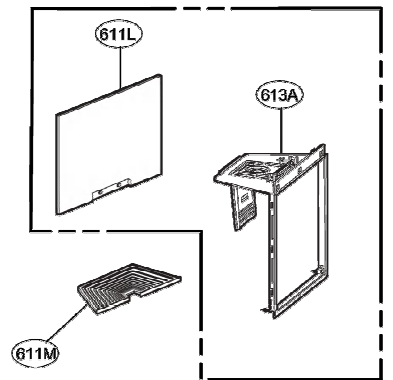
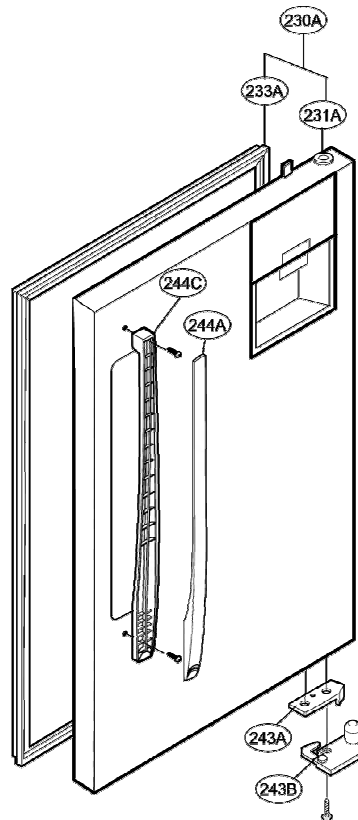
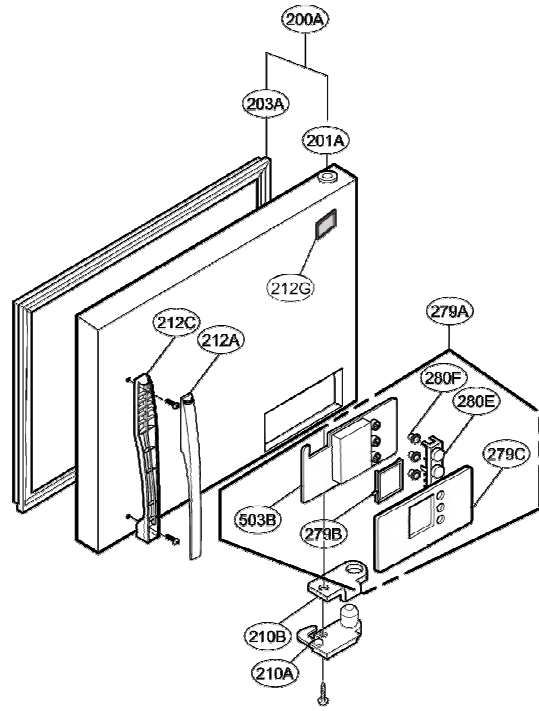
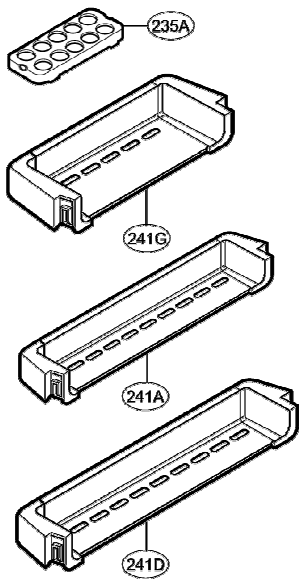
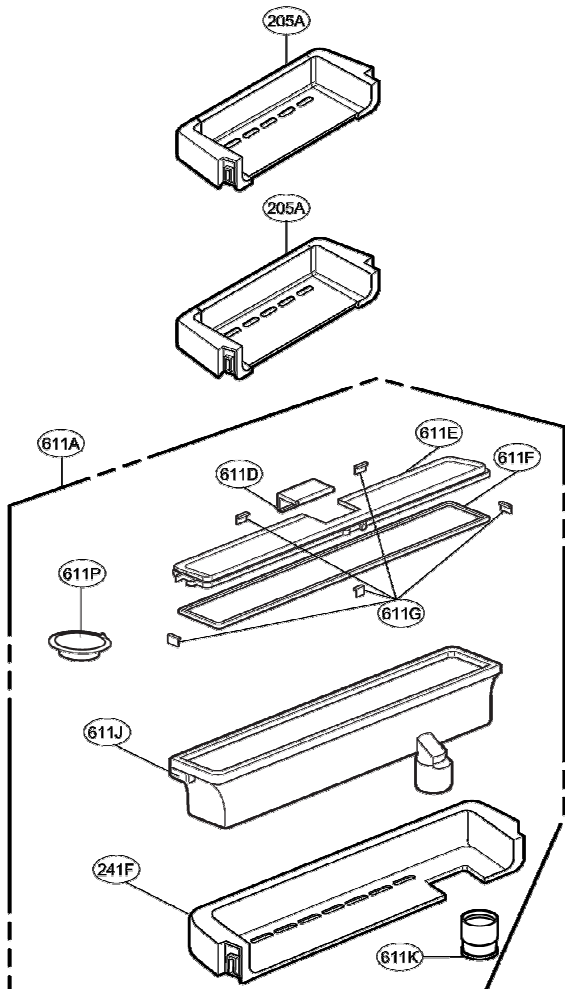
- ▼ The parts of refrigerator and the shape of each part are subject to change in different localities.
- ▼ Capacitors and fuse are optional parts.



► GR-B652/712Y\*\*  
GR-M652/712Y\*\*



► GR-B652/712Y\*B(S)



► GR-B652/712Y\*B(S,Y)  
GR-M652/712Y\*A(X,Y)

