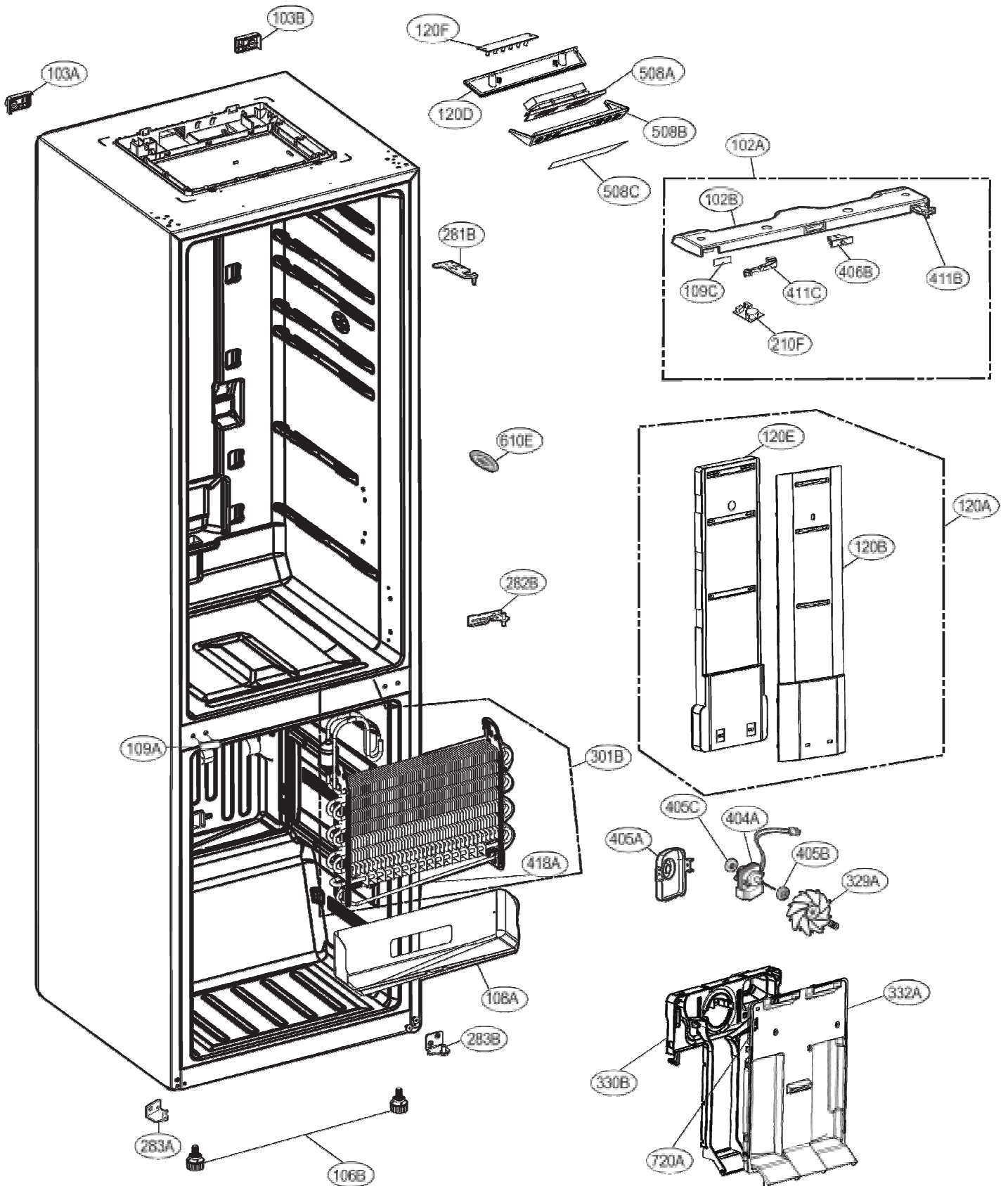


# EXPLODED VIEW

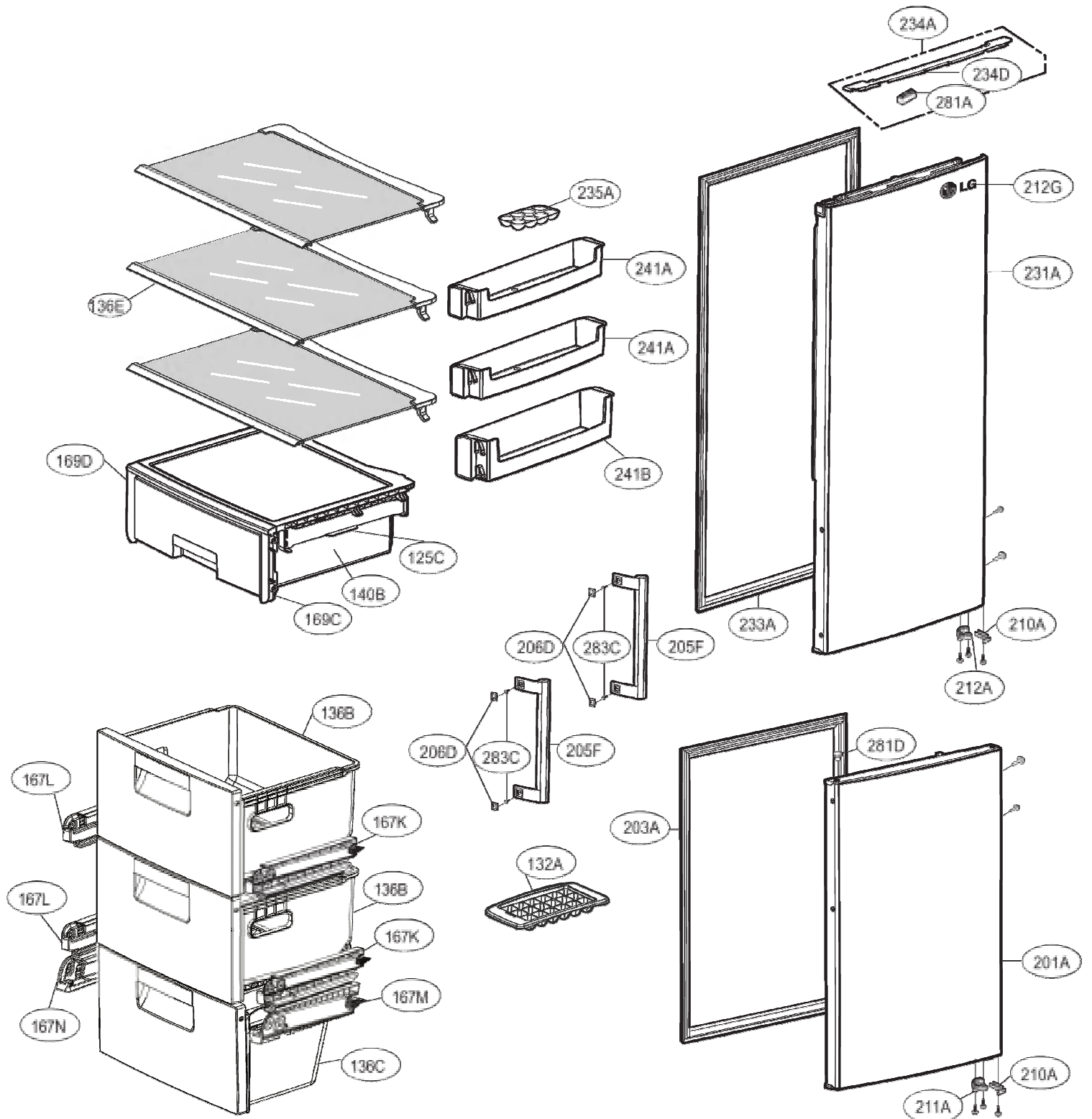
Ref. No : GBB539\*\*HW\*



► The parts of refrigerator and the shape of each part are subject to change in different localities.

# EXPLODED VIEW

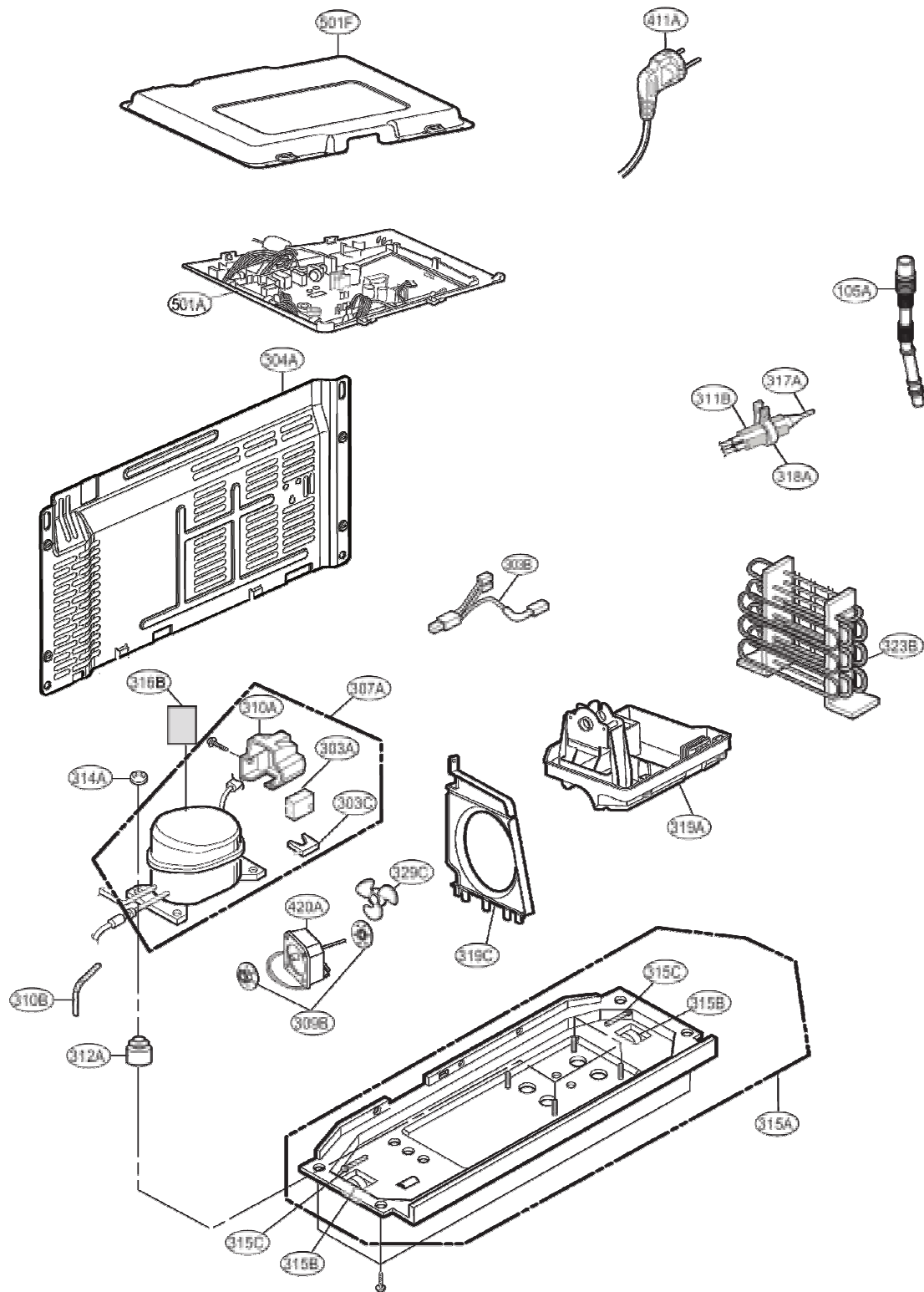
Ref. No : GBB539\*\*H\*B



► The parts of refrigerator and the shape of each part are subject to change in different localities.

# EXPLODED VIEW

Ref. No: GBB539\*\*HW\*



► The parts of refrigerator and the shape of each part are subject to change in different localities.