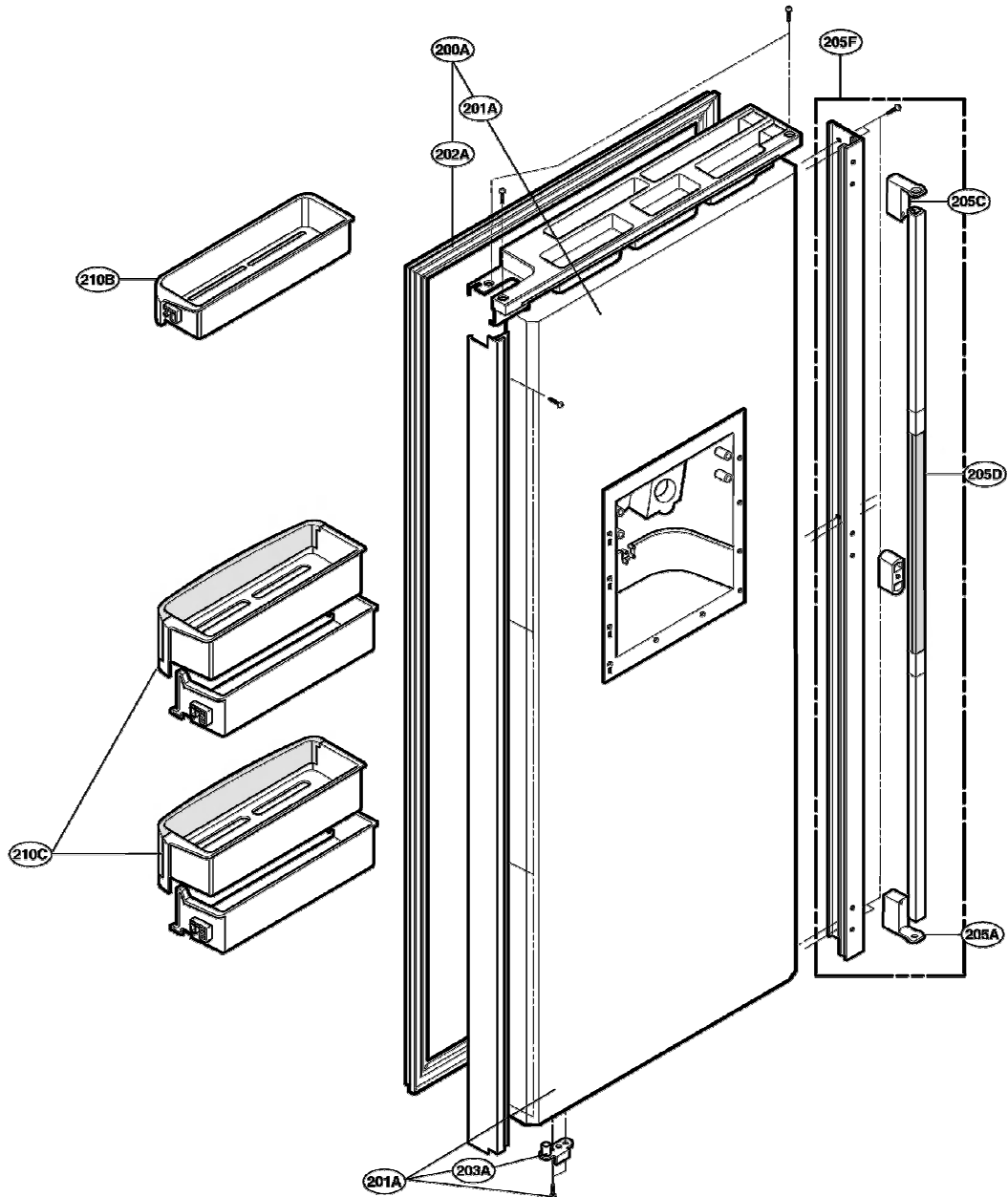


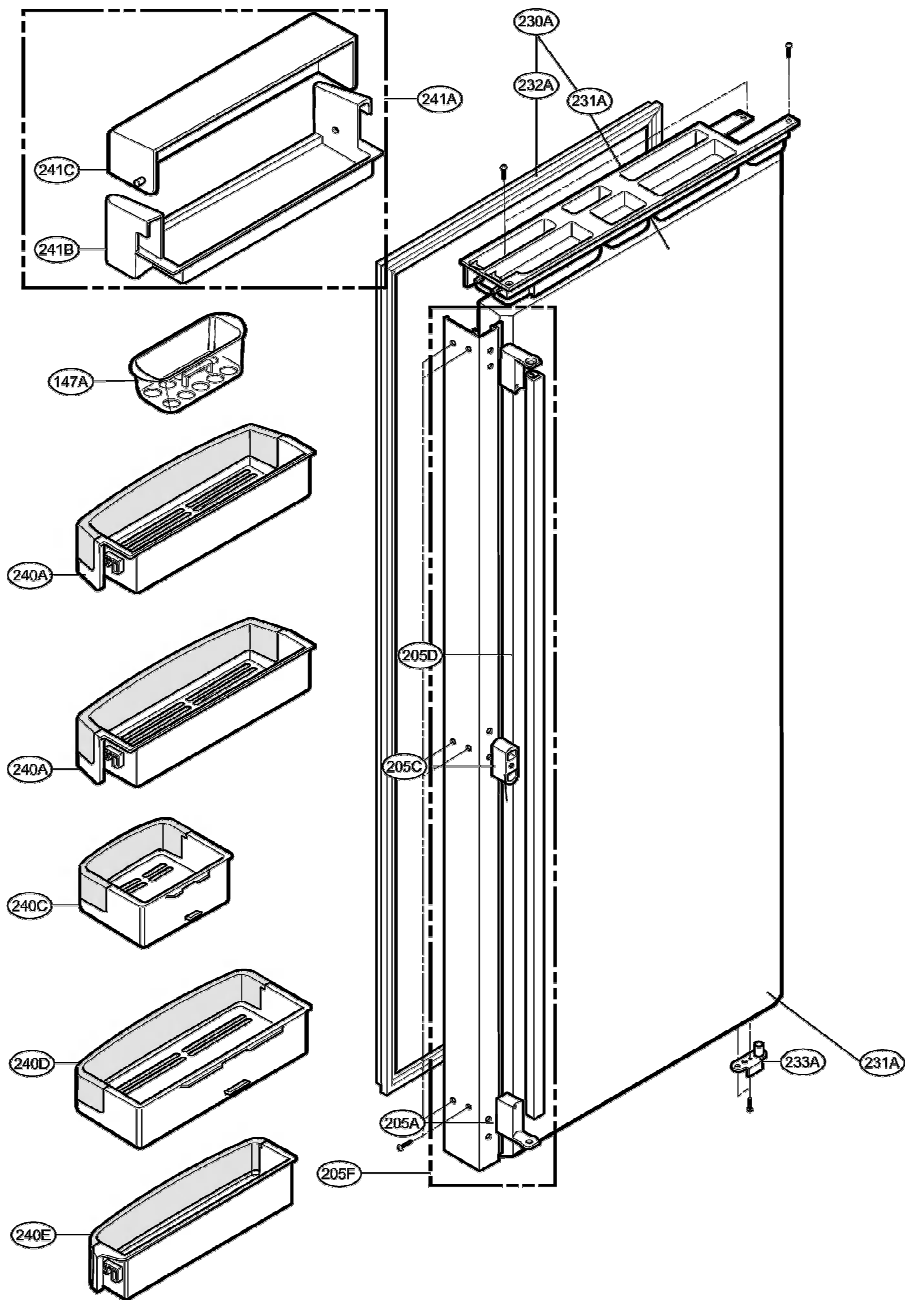
EXPLODED VIEW

FREEZER DOOR PART



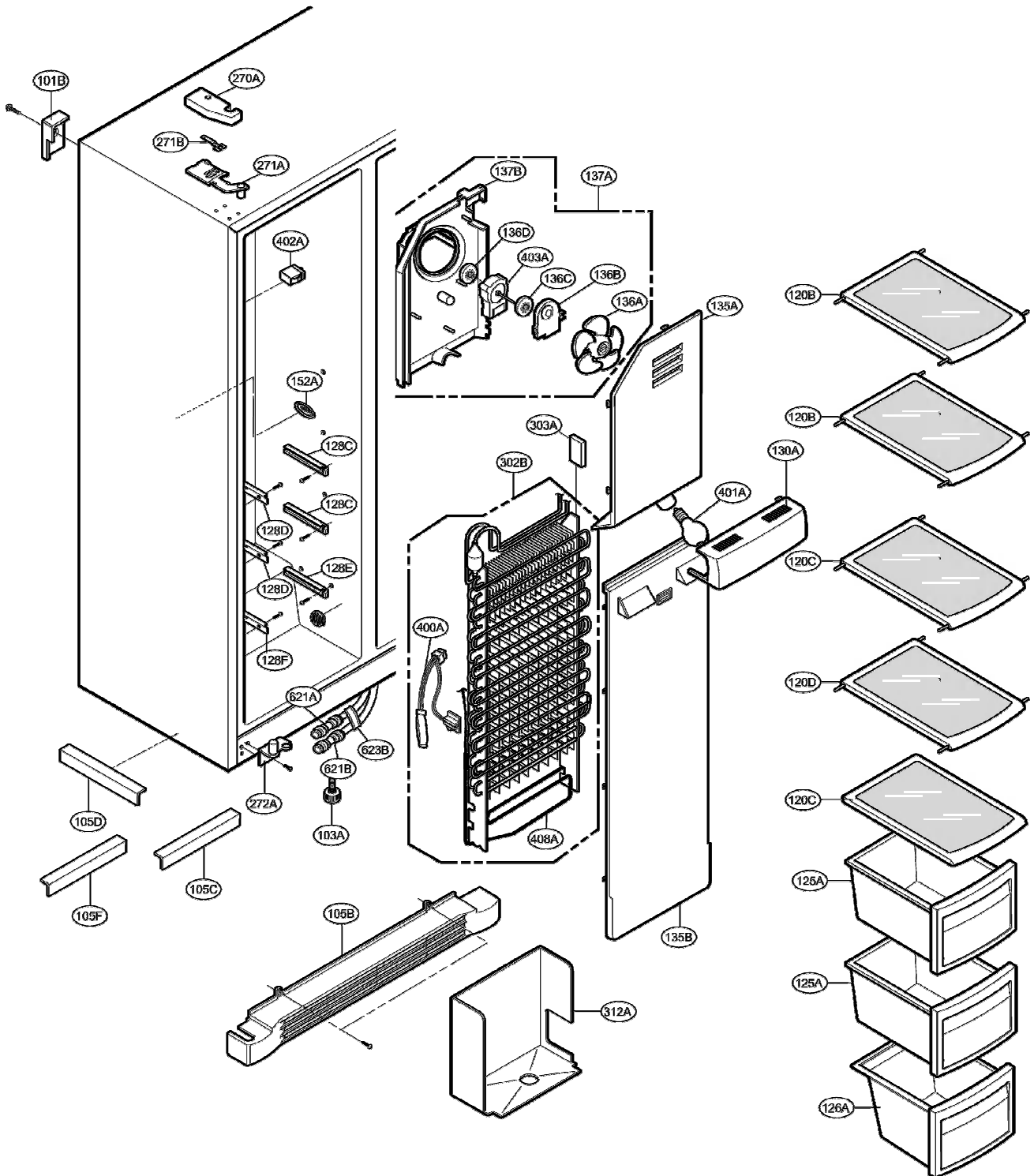
EXPLODED VIEW

REFRIGERATOR DOOR PART



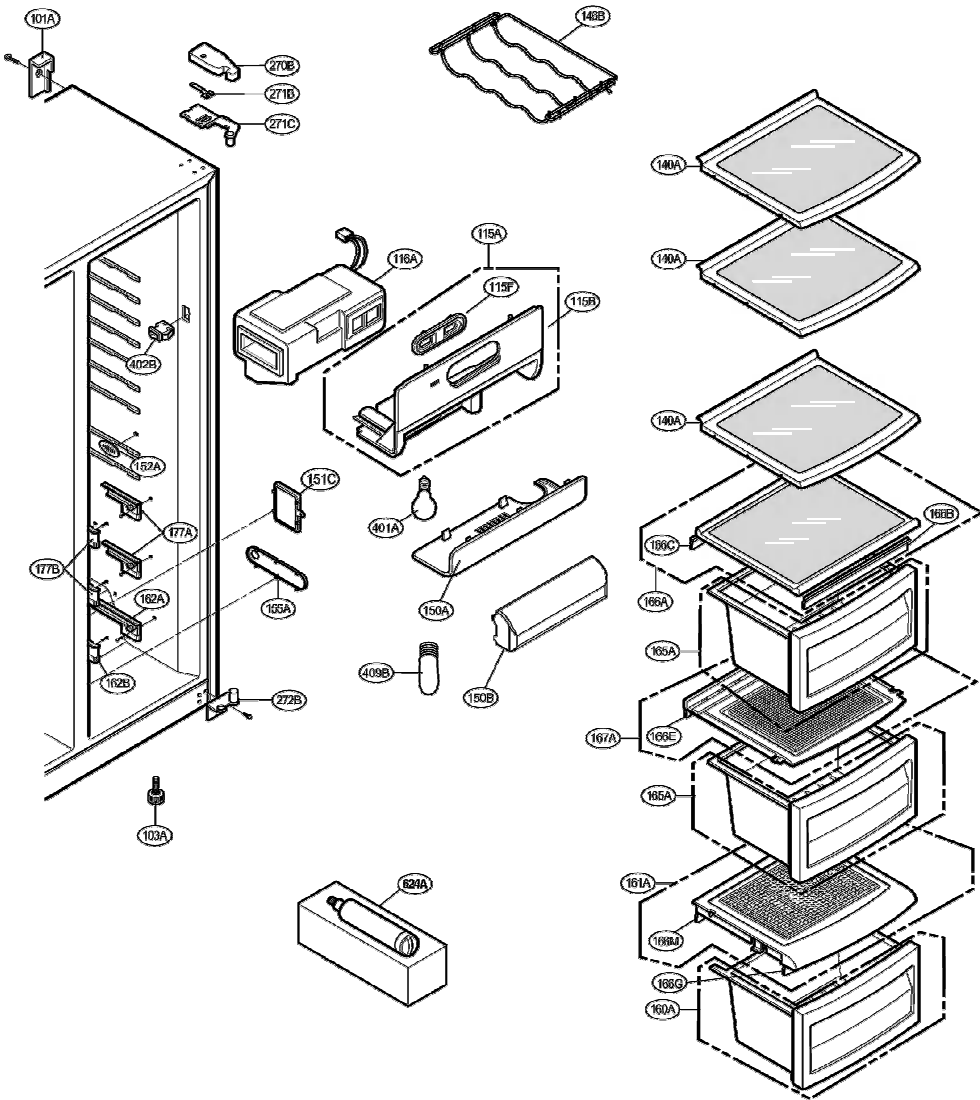
EXPLODED VIEW

FREEZER COMPARTMENT



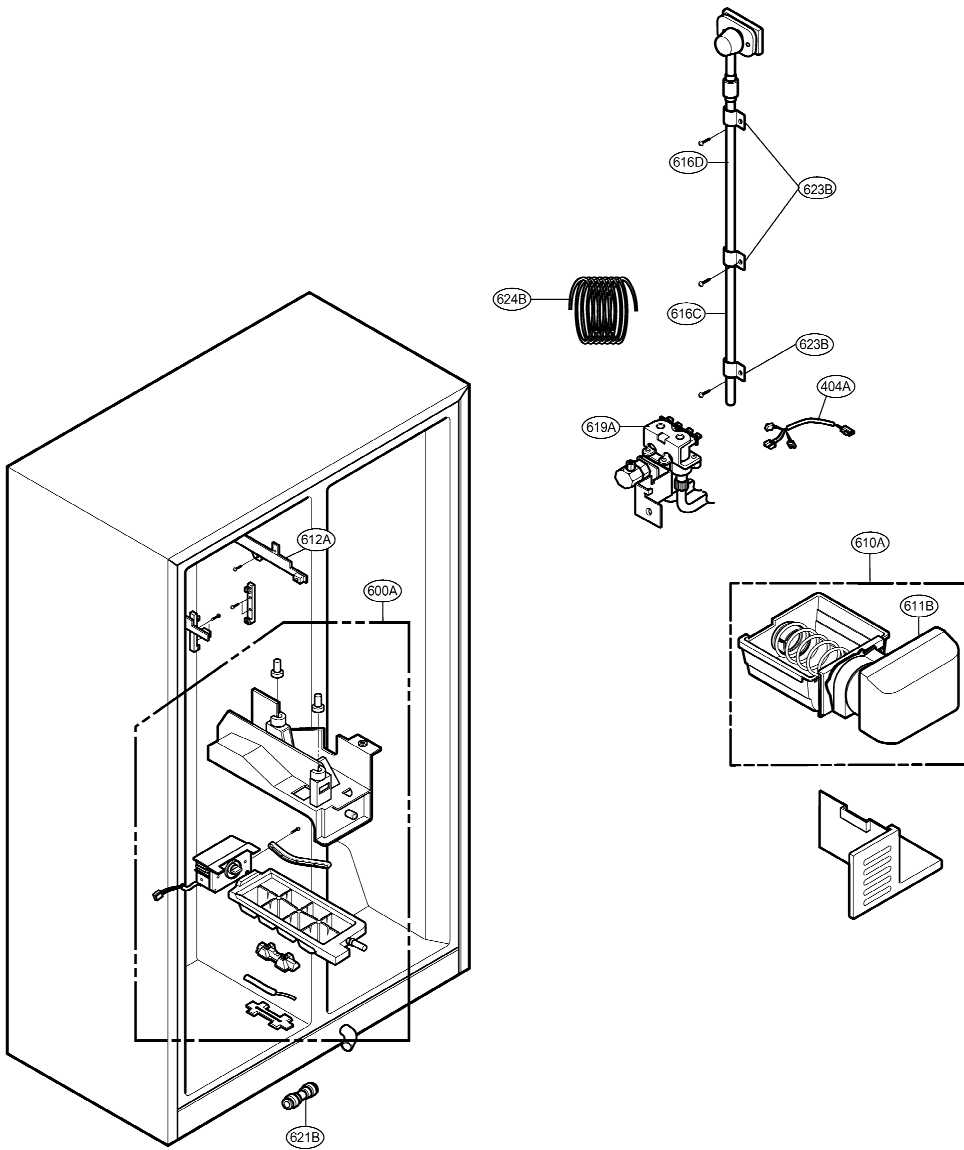
EXPLODED VIEW

REFRIGERATOR COMPARTMENT



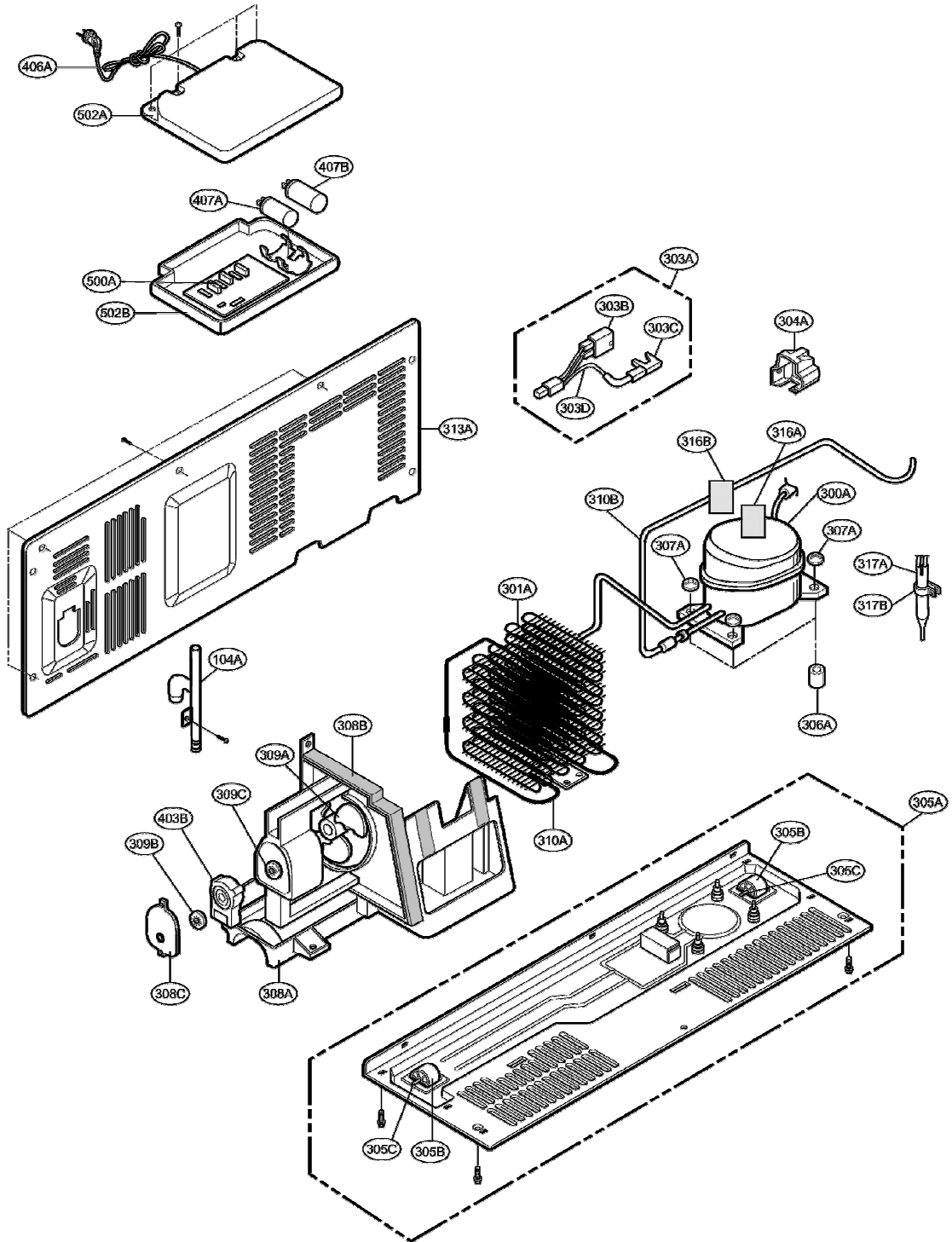
EXPLODED VIEW

& WATER PART



EXPLODED VIEW

MACHINE COMPARTMENT



EXPLODED VIEW

DISPENSER PART

