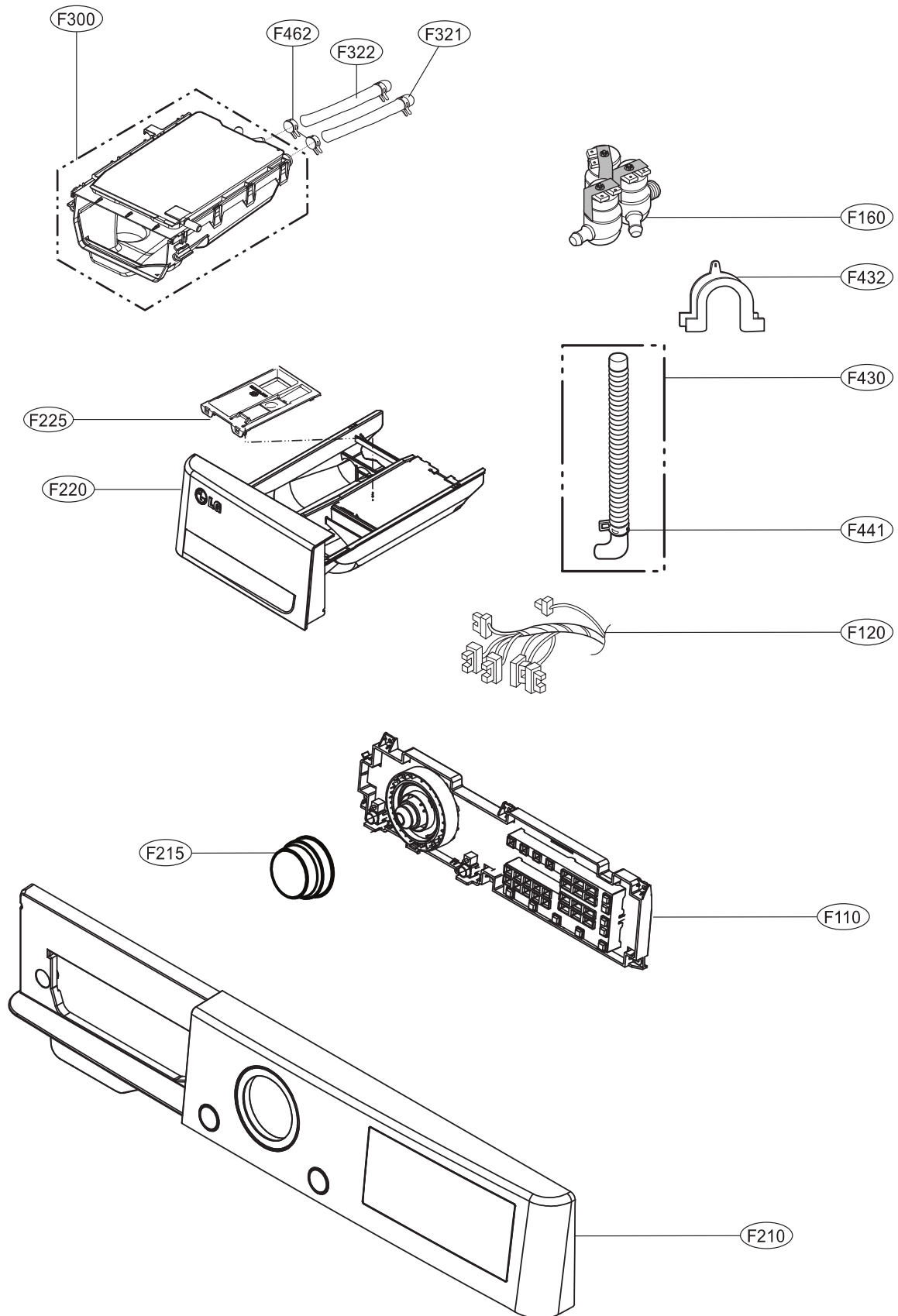




## 11- 2. THE EXPLODED VIEW OF CONTROL PANEL & DISPENSER ASSEMBLY



# 10- 3 THE EXPLODED VIEW OF DRUM & TUB ASSEMBLY

