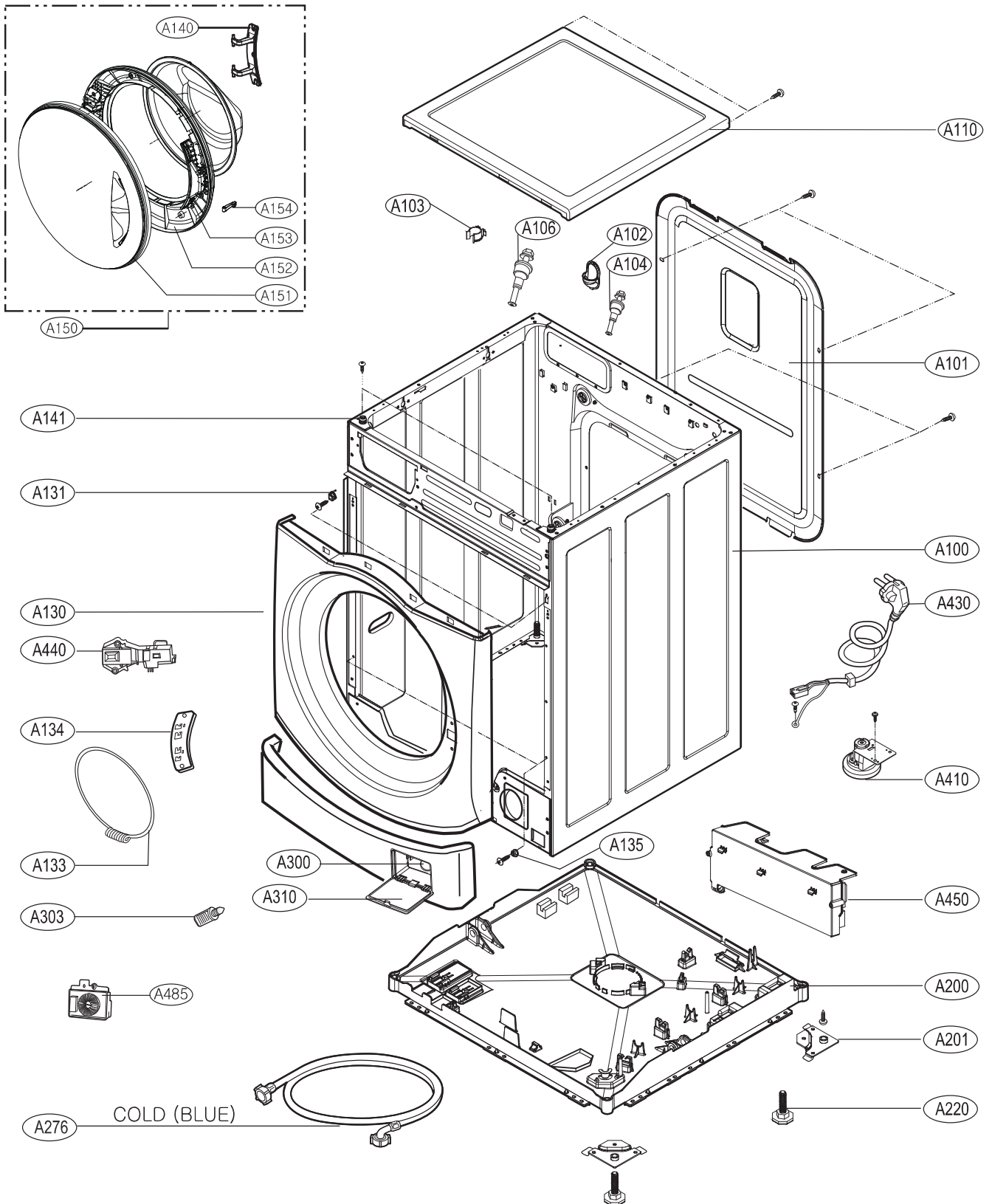
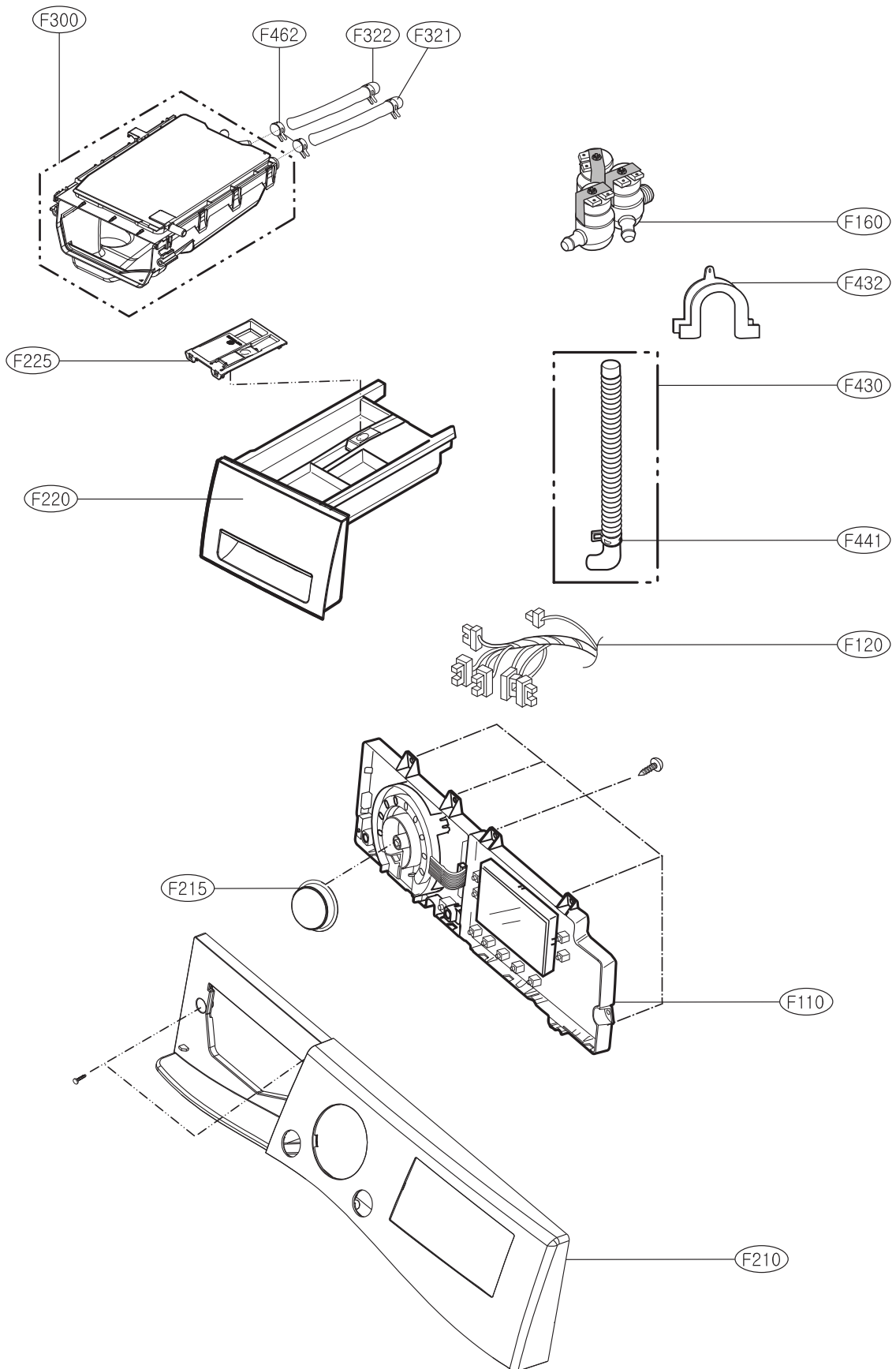


11. EXPLODED VIEW AND PART LIST

11-1. THE PART LIST OF CABINET ASSEMBLY



11-2. THE EXPLODED VIEW OF CONTROL PANEL &



11-3. THE EXPLODED VIEW OF DRUM & TUB ASSEMBLY

