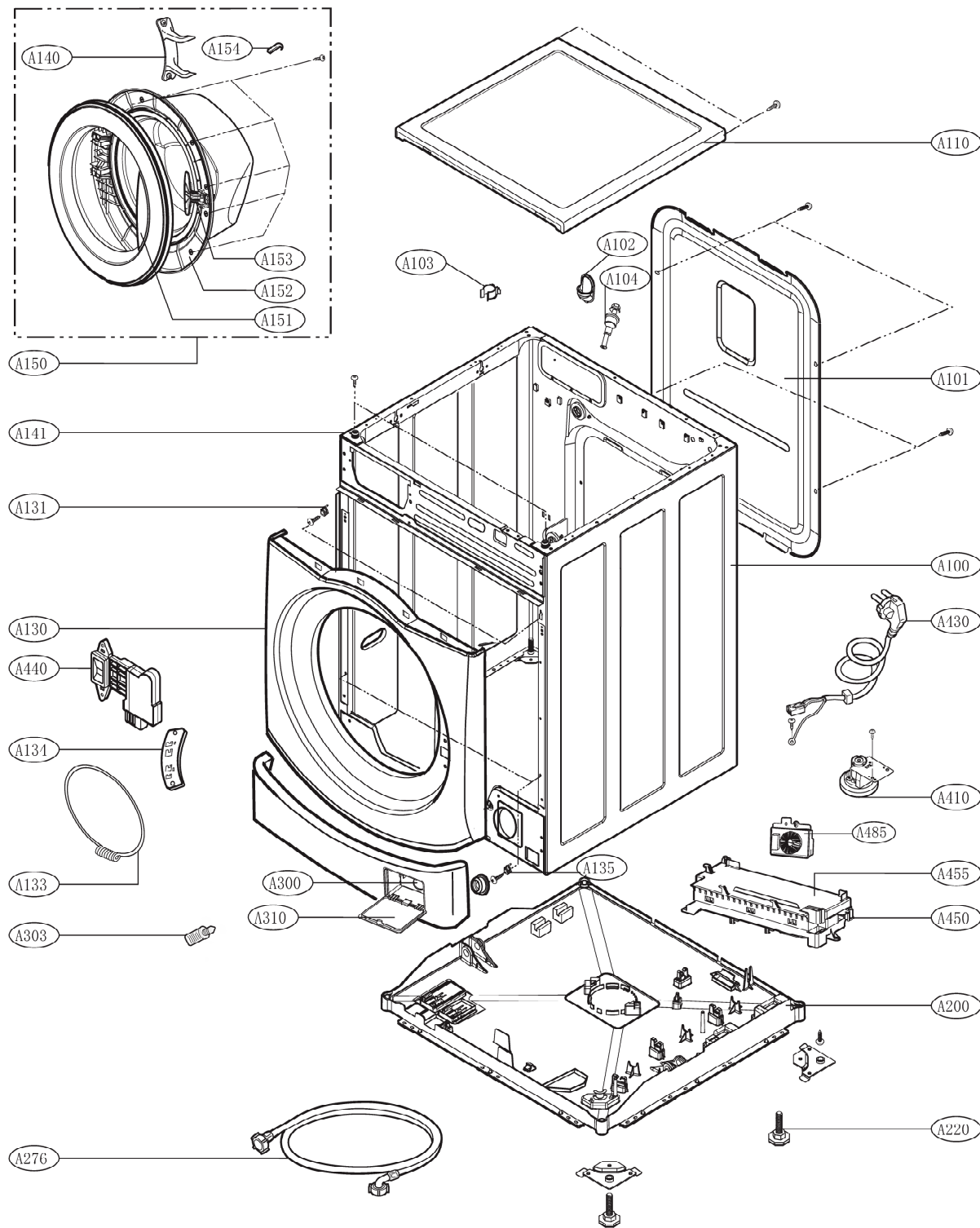


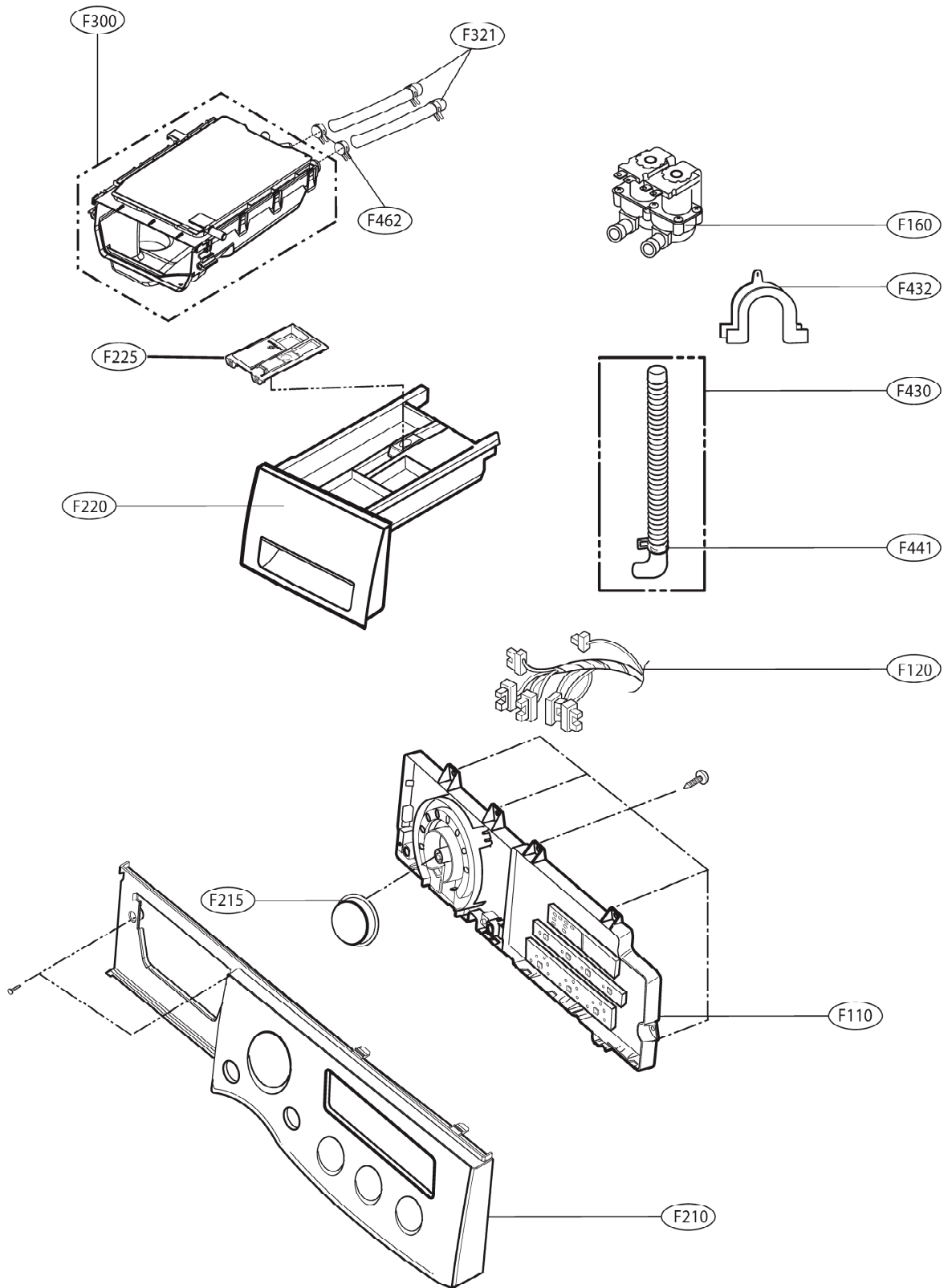
11. EXPLODED VIEW AND PART LIST

11-1. THE PART LIST OF CABINET ASSEMBLY



11-2. THE EXPLODED VIEW OF CONTROL P DISPENSER ASSEMBLY

ANEL &



10-3 THE EXPLODED VIEW OF DRUM & TUB ASSEMBLY

