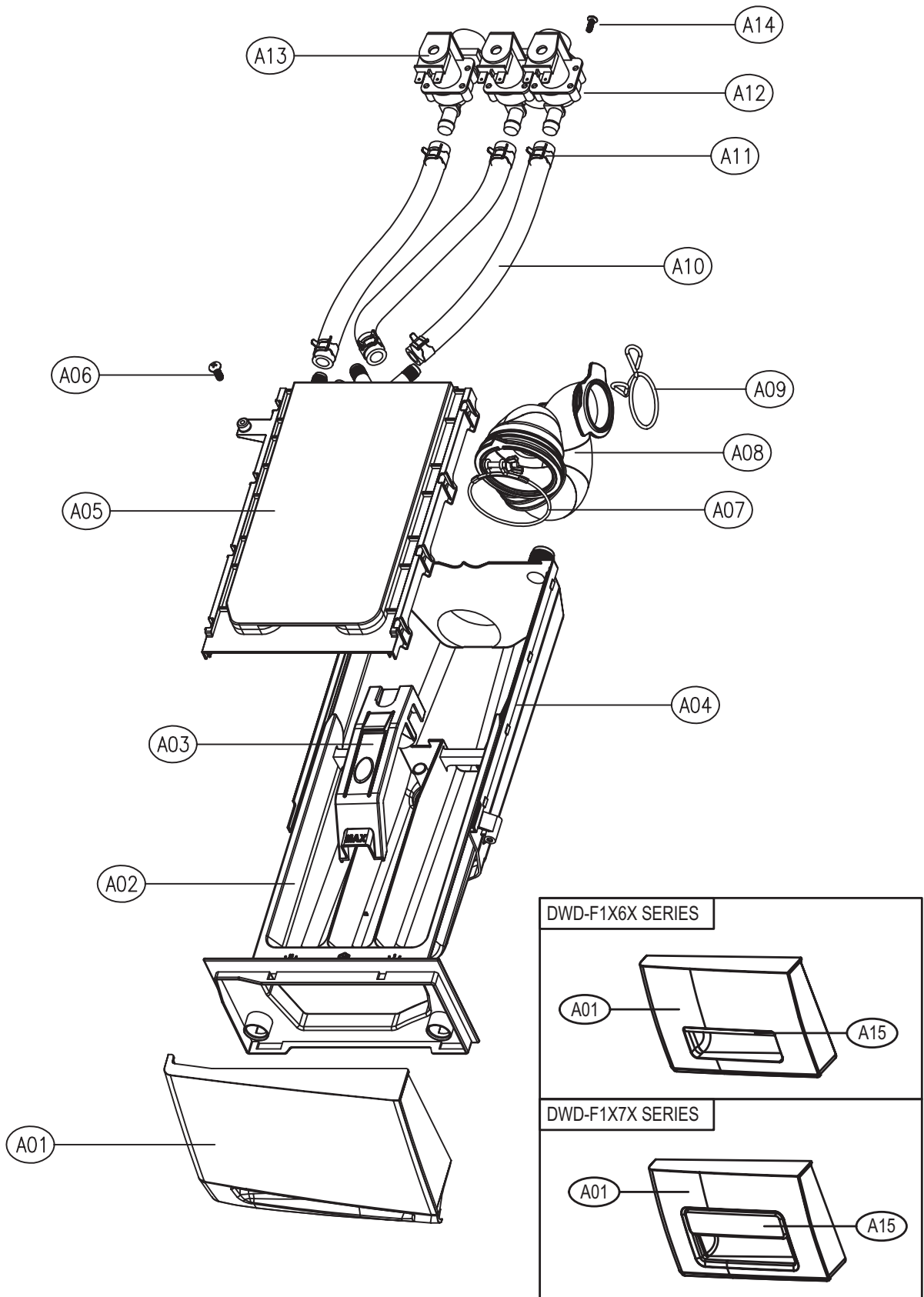


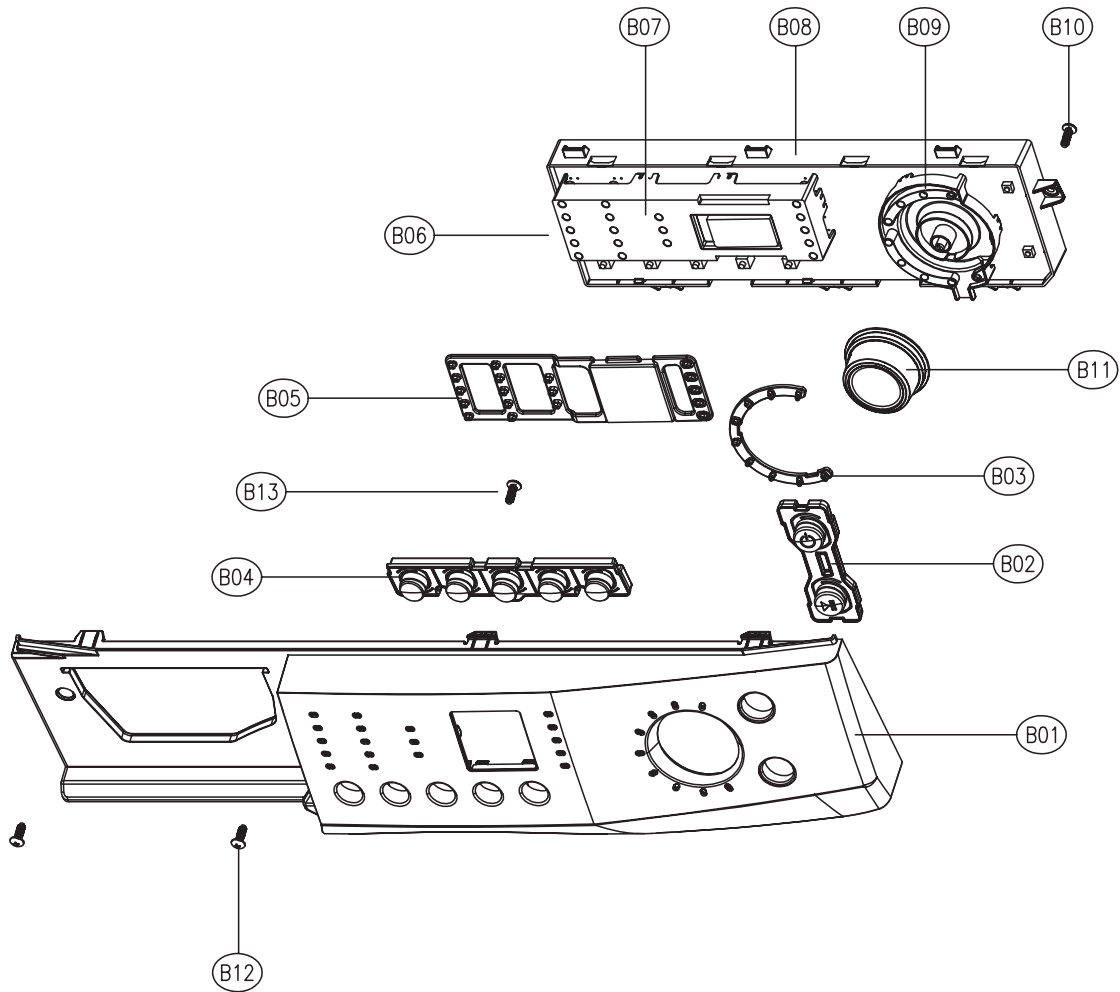
5. EXPLODE VIEW AND PARTS LIST

■ BOX INLET AS



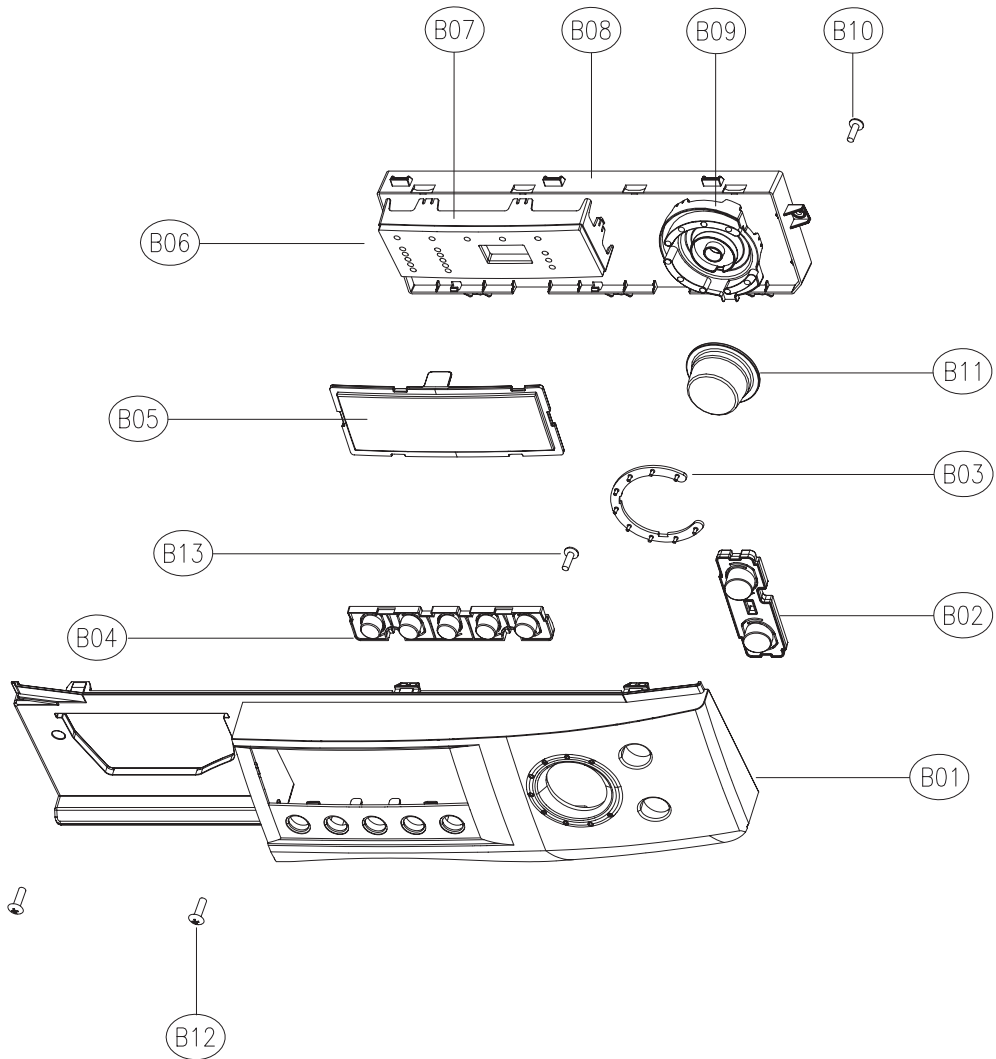
No.	PART NAME	PART CODE	SPECIFICATION	Q'TY	REMARK
A01	HANDLE CASE (CASE HANDLE)	3612608700	ABS	1	DWD-F1X11(2)
		3612608710	ABS + SPRAY		DWD-F1X13
		3612608900	ABS		DWD-F1X21(2)
		3612608910	ABS + SPRAY		DWD-F1X23
		3612609700	ABS		DWD-F1X31(2)
		3612609710	ABS + SPRAY		DWD-F1X33
		3611148000	HIPS, D-FU124'S		DWD-F1X41(2)
					DWD-F1X51(2)
		3611148001	ABS + SPRAY		DWD-F1X43
					DWD-F1X53
		3611149500	D-F'SERIES 6TH, ABS		DWD-F1X61(2)
		3611149510	ABS + SPRAY		DWD-F1X63
		3611149600	D-F'SERIES 7TH , ABS		DWD-F1X71(2)
3611149610	ABS + SPRAY	DWD-F1X73			
A02	CASE DETERGENT	3611140300	PP	1	
A03	CAP SOFTENER	3610916600	PP	1	
A04	BOX INLET	3610526500	PP	1	
A05	NOZZLE AS	3618103510	NOZZLE TOP + NOZZLE UNDER	1	COLD
		3618103500			COLD+HOT
A06	SCREW TAPPING	7122402011	T2S TRS 4x20 MFZN	1	
A07	CLAMP AS	3611203200	ID=60,WIRE+GUIDE+BOLT+NUT	1	
A08	HOSE INLET	3613267200	EPDM U-TRAP	1	
A09	CLAMP HOSE I	3611201400	HSW3, D2.6, MFZN, ID=38	1	
A10	HOSE WATER SUPPLY	3613270900	EPDM, ID9.5, OD14.5, L=225	2(3)	COLD(+HOT)
A11	CLAMP HOSE	3611205800	100H, ID=13.8 W=10.0 0.9T	4(6)	COLD(+HOT)
A12	VALVE INET	3615414900	220-240V 2-WAY PP/BRACKET	1	COLD VALVE
		3615414910	220-240V 2WAY NYLON VDE		
		3615416821	220-240V.VDE.BITRON.2WAY + DR TECH		COLD VALVE(EU)
A13	VALVE INLET	3615414800	220-240V,50/60Hz,1WAY	1	HOT VALVE
		3615416720	220-240 50/60-1WAY,HOT,BITRON,VDE		HOT VALVE(EU)
A14	SCREW TAPTITE	7272400811	TT3 TRS 4X8 MFZN	2(4)	COLD(+HOT)
A15	DECO CASE HANDLE	3611698000	D-F'SERIES 6TH ,ABS	1	DWD-F1X6X
		3611698400	D-F'SERIES 7TH , ABS		DWD-F1X7X

■ PANEL FRONT AS (DWD-FD141X SERIES)



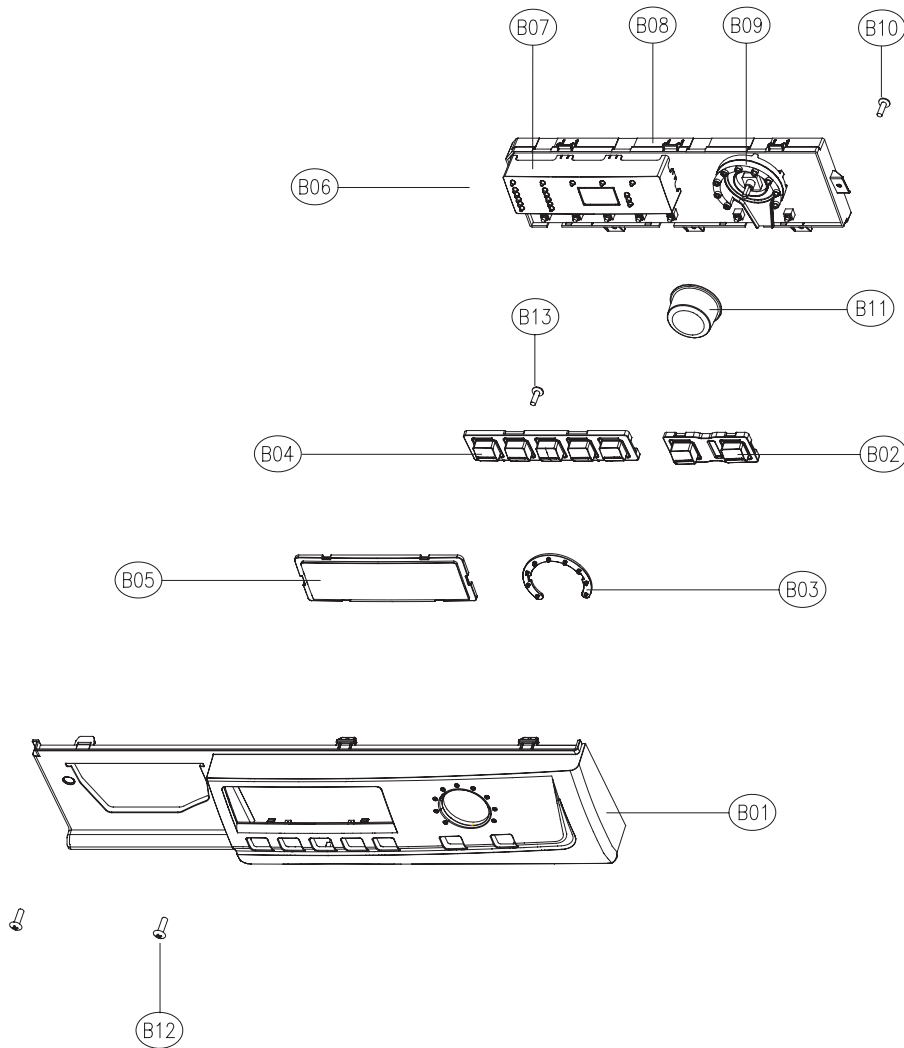
No.	PART NAME	PART CODE	SPECIFICATION	Q'TY	REMARK
B01	PANEL *F	3814282702	HIPS	1	DWD-FD1411(2)
		3814282710	SILVER SPRAY		DWD-FD1413
B02	BUTTON POWER	3616603600	ABS	1	DWD-FD1411
		3616603620	ABS + AL COATING		DWD-FD1412(3)
B03	WINDOW DIAL	3615503100	ABS-TR	1	
B04	BUTTON SELECT	3616603500	ABS	1	DWD-FD1411
		3616603520	ABS + AL COATING		DWD-FD1412(3)
B05	WINDOW DISPLAY AS	3615503020	ABS-TR + STICKER	1	
B06	PCB AS	PRPSSWFJ--	DWD-FD14'S, DONGSUH MOTOR	1	Refer to Detailed Part Code of PCB AS
		PRPSSWFL--	DWD-FD14'S, NEWMOTECH MOTOR	1	
B07	HOLDER LED	3613049600	ABS	1	
B08	CASE PCB	3611143100	HIPS	1	
B09	HOLDER DIAL	3613049700	ABS	1	
B10	SCREW TAPPING	7122401611	T2S TRS 4x16 MFZN	4	
B11	KNOB DIAL AS	3613405000	ABS	1	DWD-FD1411(2)
		3613405010	SPRAY		DWD-FD1413
B12	SCREW TAPPING	7122401608	T2S TRS 4x16 SUS	2	
B13	SCREW TAPPING	7122401211	T2S TRS 4x12 MFZN	2	

■ PANEL FRONT AS (DWD-FD142X SERIES)



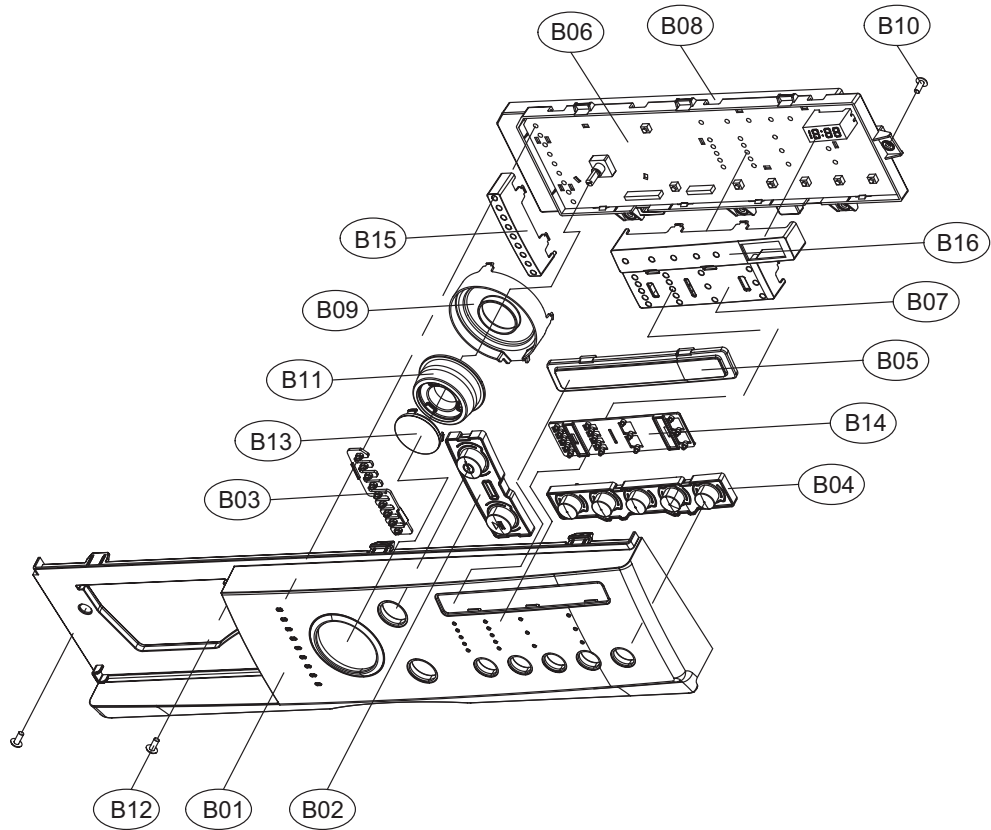
No.	PART NAME	PART CODE	SPECIFICATION	Q'TY	REMARK
B01	PANEL *F	3614284502	HIPS	1	DWD-FD1421(2)
		3614284510	SILVER SPRAY		DWD-FD1423
B02	BUTTON POWER	3616604200	ABS	1	DWD-FD1421
		3616604210	ABS+AL COATING		DWD-FD1422(3)
B03	WINDOW DIAL	3615503400	ABS	1	
B04	BUTTON SELECT	3616604100	ABS	1	DWD-FD1421
		3616604110	ABS+AL COATING	1	DWD-FD1422(3)
B05	WINDOW LED	3615503300	ABS	1	
B06	PCB AS	PRPSSWFJ--	DWD-FD14'S, DONGSUH MOTOR	1	Refer to Detailed Part
		PRPSSWFL--	DWD-FD14'S, NEWMOTECH MOTOR	1	Code of PCB AS
B07	HOLDER LED	3613050500	ABS	1	
B08	CASE PCB	3611140200	HIPS	1	
B09	HOLDER DIAL	3613050600	ABS	1	
B10	SCREW TAPPING	7122401611	T2S TRS 4x16 MFZN	4	
B11	KNOB DIAL	3613405110	ABS+SPRAY	1	
B12	SCREW TAPPING	7122401608	T2S TRS 4x16 SUS	2	
B13	SCREW TAPPING	7122401211	T2S TRS 4x12 MFZN	2	

■ PANEL FRONT AS (DWD-FD143X SERIES)



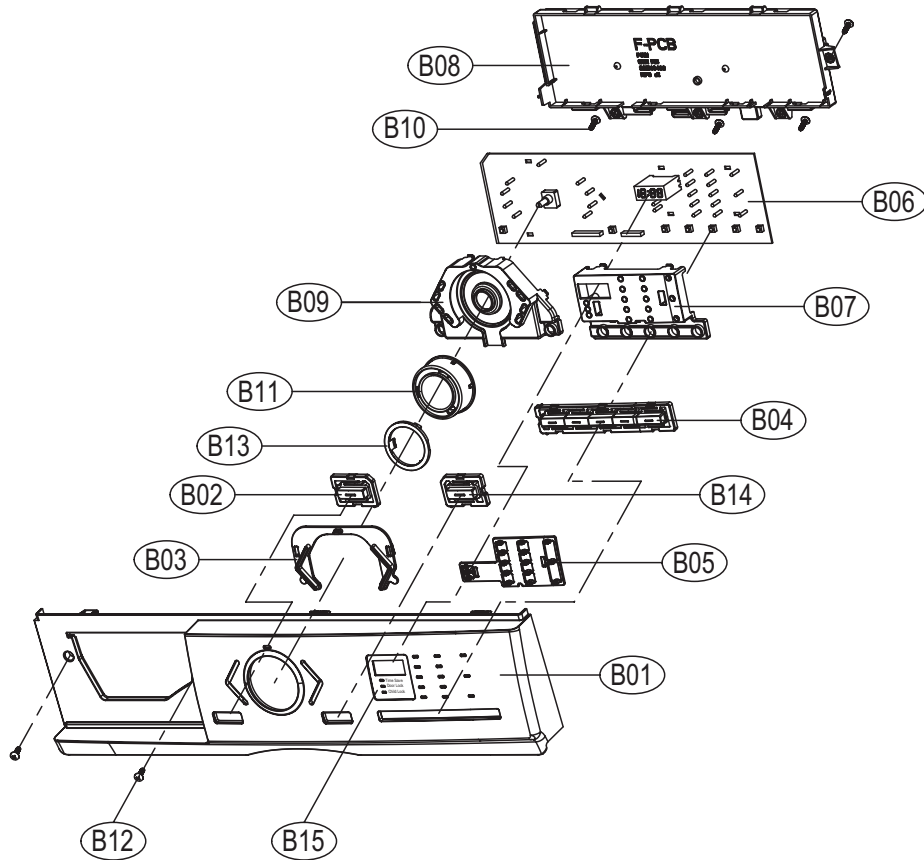
No.	PART NAME	PART CODE	SPECIFICATION	Q'TY	REMARK
B01	PANEL *F	3614285802	HIPS	1	DWD-FD1431(2)
		3614285810	ABS + SPRAY		DWD-FD1433
B02	BUTTON POWER	3616635300	ABS	1	DWD-FD1431
		3616635310	ABS + SPRAY		DWD-FD1432(3)
B03	WINDOW DIAL	3615504200	ABS-TR	1	
B04	BUTTON SELECT	3616635400	ABS	1	DWD-FD1431
		3616635410	ABS + SPRAY		DWD-FD1432(3)
B05	WINDOW DISPLAY	3615504300	ABS-TR	1	
B06	PCB AS	PRPSSWFJ--	DWD-FD14'S, DONGSUH MOTOR	1	Refer to Detailed Part Code of PCB AS
		PRPSSWFL--	DWD-FD14'S, NEWMOTECH MOTOR	1	
B07	HOLDER DISPLAY	3613051700	HIPS	1	
B08	CASE PCB	3611143200	HIPS	1	
B09	HOLDER DIAL	3613051500	HIPS	1	
B10	SCREW TAPPING	7122401611	T2S TRS 4x16 MFZN	4	
B11	KNOB DIAL	3613405210	ABS+SPRAY	1	
B12	SCREW TAPPING	7122401608	T2S TRS 4x16 SUS	2	
B13	SCREW TAPPING	7122401211	T2S TRS 4x12 MFZN	2	

■ PANEL FRONT AS (DWD-FD144X SERIES)



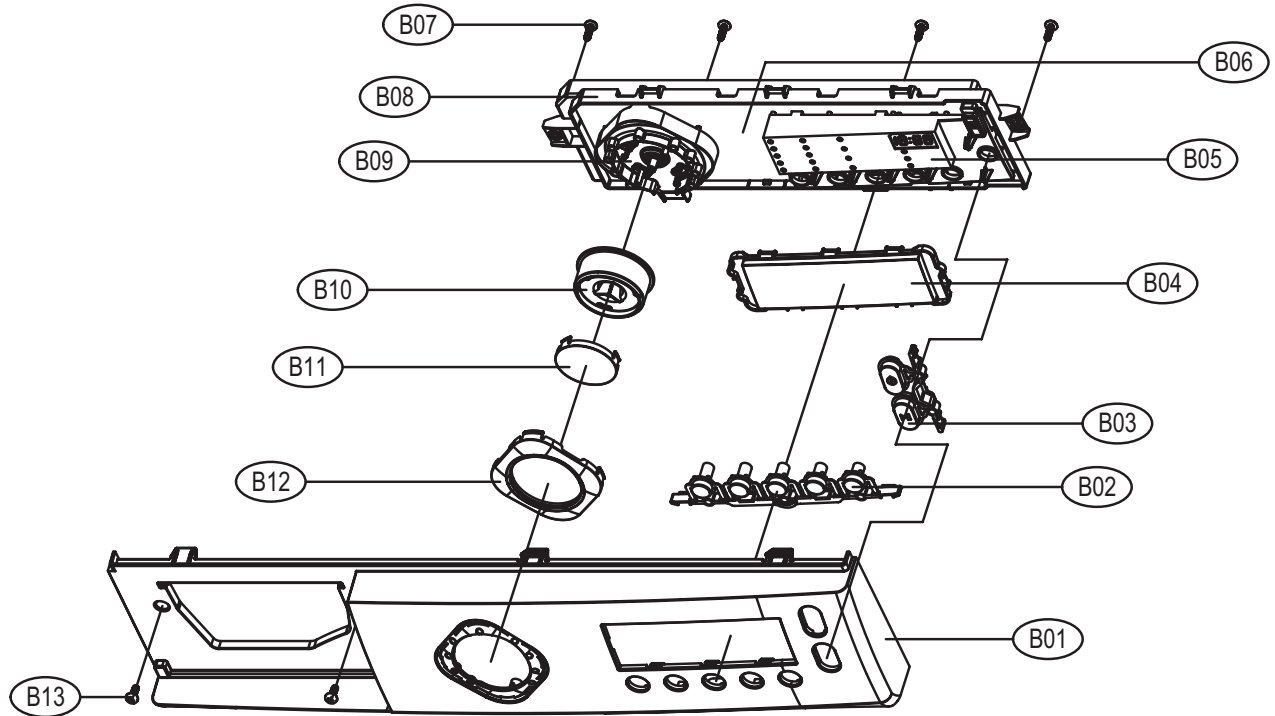
No.	PART NAME	PART CODE	SPECIFICATION	Q'TY	REMARK
B01	PANEL *F	36142T1500	HIPS	1	DWD-FD1441(2)
		36142T1501	ABS + SPRAY		DWD-FD1443
B02	BUTTON POWER	3616639100	ABS	1	DWD-FD1441
		3616639110	ABS + SPRAY		DWD-FD1442(3)
B03	WINDOW COURSE	3615507000	ABS-TR	1	
B04	BUTTON SELECTION	3616639000	ABS	1	DWD-FD1441
		3616639010	ABS + SPRAY		DWD-FD1442(3)
B05	WINDOW DISPLAY	3615506800	ABS-TR	1	
B06	PCB AS	PRPSSWFJ--	DWD-FD14'S, DONGSUH MOTOR	1	Refer to Detailed Part
		PRPSSWFL--	DWD-FD14'S, NEWMOTECH MOTOR	1	Code of PCB AS
B07	HOLDER LED SELECTION	3613055300	HIPS	1	
B08	CASE PCB	36111T1500	HIPS	1	
B09	HOLDER DIAL	3613055500	HIPS	1	
B10	SCREW TAPPING	7122401611	T2S TRS 4x16 MFZN	4	
B11	KNOB DIAL OUTER	3613406600	ABS	1	DWD-FD1441
		3613406610	ABS + SPRAY		DWD-FD1442(3)
B12	SCREW TAPPING	7122401608	T2S TRS 4x16 SUS	2	
B13	KNOB DIAL *INNER	3613406700	ABS	1	DWD-FD1441
B14	WINDOW SELECTION	3615506900	ABS-TR	1	
B15	HOLDER LED COURSE	3613055400	HIPS	1	
B16	DECORATOR WINDOW	3611689900	PC FILM	1	

■ PANEL FRONT AS (DWD-FD145X SERIES)



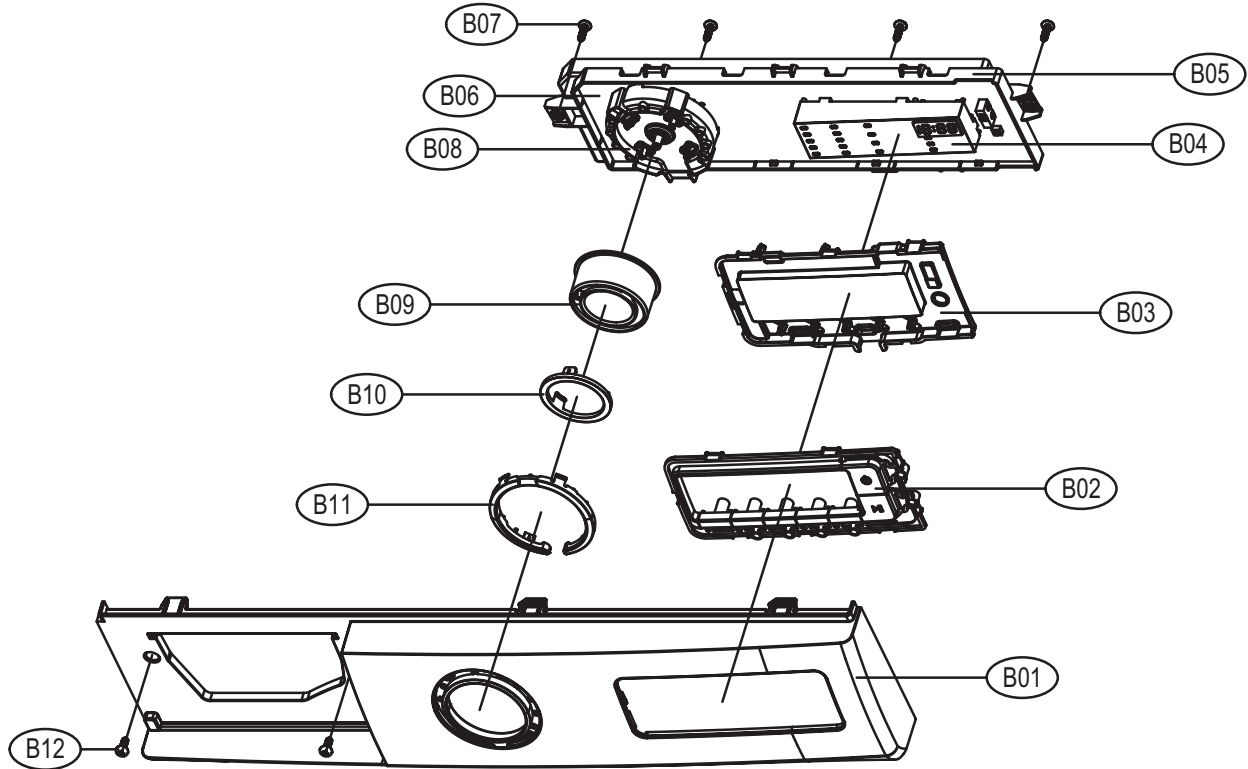
No.	PART NAME	PART CODE	SPECIFICATION	Q'TY	REMARK
B01	PANEL F	3614290100	HIPS, D-FU125'S	1	DWD-FD1451(2)
		3614290110	ABS D-FU1253'S		DWD-FD1453
B02	BUTTON POWER	3616644900	ABS	1	DWD-FD1451(2)
		3616644910	ABS + SPRAY		DWD-FD1453
B03	WINDOW COURSE	3615509500	ABS-TR	1	DWD-FD145X
B04	BUTTON FUNCTION	3616645100	ABS	1	DWD-FD1451(2)
		3616645110	ABS + SPRAY		DWD-FD1453
B05	WINDOW SELECTION	3615509600	ABS-TR	1	DWD-FD145X
B06	PCB AS	PRPSSWFJ--	DWD-FD14'S, DONGSUH MOTOR	1	Refer to Detailed Part Code of PCB AS
		PRPSSWFL--	DWD-FD14'S, NEWMOTECH MOTOR	1	
B07	HOLDER LED FUNCTION	3613058800	HIPS	1	DWD-FD145X
B08	CASE PCB	3611149400	HIPS	1	DWD-FD145X
B09	HOLDER LED COURSE	3613058700	HIPS	1	DWD-FD145X
B10	SCREW TAPPING	7122401611	T2S TRS 4x16 MFZN	4	
B11	BUTTON DIAL	3616644800	ABS	1	DWD-FD1451(2)
		3616644810	ABS + SPRAY		DWD-FD1453
B12	SCREW TAPPING	7122401608	T2S TRS 4x16 SUS	2	
B13	DECORATOR BUTTON DIAL	3611696400	ABS, GILDING	1	DWD-FD145X
B14	BUTTON START	3616645000	ABS	1	DWD-FD1451(2)
		3616645010	ABS + SPRAY		DWD-FD1453
B15	DECORATOR FILM	3611689900	P.C FILM	1	DWD-FD145X

■ PANEL FRONT AS (DWD-F146X SERIES)



No.	PART NAME	PART CODE	SPECIFICATION	Q'TY	REMARK
B01	PANEL F	36142T3000	D-F'SERIES 6TH , ABS	1	DWD-FD1461(2)
		36142T3010	D-F'SERIES 6TH , ABS+ SPRAY		DWD-FD1463
B02	BUTTON SELECT	3616645800	D-F'SERIES 6TH , ABS	1	DWD-FD1461(2)
		3616645810	D-F'SERIES 6TH , ABS+ SPRAY		DWD-FD1463
B03	BUTTON POWER	3616645900	D-F'SERIES 6TH , ABS	1	DWD-FD1461(2)
		3616645910	D-F'SERIES 6TH , ABS+ SPRAY		DWD-FD1463
B04	WINDOW DISPLAY	3615510300	D-F'SERIES 6TH , TR ABS	1	DWD-FD146X
B05	HOLDER LED	3613061900	D-F'SERIES 6TH , HIPS	1	DWD-FD146X
B06	PCB AS	PRPSSWFK--	DWD-FD146X SERIES	1	Refer to Detailed Part Code of PCB AS
B07	SCREW TAPPING	7122401611	T2S TRS 4x16 MFZN	4	
B08	CASE PCB	3611149700	D-F'SERIES 6TH / 7TH , HIPS	1	DWD-FD146(7)X
B09	HOLDER LED COURSE	3613061800	D-F'SERIES 6TH , HIPS	1	DWD-FD146X
B10	BUTTON DIAL	3616645700	D-F'SERIES 6TH , ABS	1	DWD-FD1461(2)
		3616645710	D-F'SERIES 6TH , ABS+ SPRAY		DWD-FD1463
B11	DECO BUTTON DIAL	3611698100	D-F'SERIES 6TH , ABS	1	DWD-FD146X
B12	WINDOW COURSE	3615510400	D-F'SERIES 6TH , TR ABS	1	DWD-FD146X
B13	SCREW TAPPING	7122401608	T2S TRS 4x16 SUS	2	

■ PANEL FRONT AS (DWD-F147X SERIES)



No.	PART NAME	PART CODE	SPECIFICATION	Q'TY	REMARK
B01	PANEL F	36142T3100	D-F'SERIES 7TH , ABS	1	DWD-FD1471(2)
		36142T3110	D-F'SERIES 7TH , ABS+ SPRAY		DWD-FD1473
B02	BUTTON SELECT	3616646100	D-F'SERIES 7TH , ABS(SPRAY)	1	DWD-FD147X
B03	WINDOW DISPLAY	3615510500	D-F'SERIES 7TH , TR ABS	1	DWD-FD147X
B04	HOLDER LED(FUNCTION)	3613062200	D-F'SERIES 7TH ,HIPS	1	DWD-FD147X
B05	CASE PCB	3611149700	D-F'SERIES 6TH / 7TH, HIPS	1	DWD-FD146(7)X
B06	PCB AS	PRPSSWFK--	DWD-FD147X SERIES	1	Refer to Detailed Part Code of PCB AS
B07	SCREW TAPPING	7122401611	T2S TRS 4x16 MFZN	4	
B08	HOLDER LED COURSE	3613062100	D-F'SERIES 7TH , HIPS	1	DWD-FD147X
B09	BUTTON DIAL	3616646000	D-F'SERIES 7TH . ABS	1	DWD-FD1471(2)
		3616646010	D-F'SERIES 7TH . ABS+ SPRAY		DWD-FD1473
B10	DECO KNOB DIAL	3611696400	L-SERIES 2ND,ABS,SPIN	1	DWD-FD147X
B11	WINDOW COURSE	3615510600	D-F'SERIES 7TH , TR ABS	1	DWD-FD147X
B12	SCREW TAPPING	7122401608	T2S TRS 4x16 SUS	2	

■ Detailed Part Code of PCB AS (DONGSUH)

PART CODE	SPECIFICATION	Q'TY	REMARK	
PRPSSWFJA1	RENE, INFI, NON-EC, HOT,COLD, BUBBLE, 1W, D/M	1	1st PANEL (DWD-FD141X SERIES)	
PRPSSWFJA2	RENE, INFI, NON-EC, HOT,COLD, NON-BUBBLE, 1W, D/M			
PRPSSWFJA3	RENE, INFI, NON-EC, COLD, BUBBLE, 1W, D/M			
PRPSSWFJA4	RENE, INFI, NON-EC, COLD, NON-BUBBLE, 1W, D/M			
PRPSSWFJA5	RENE, INFI, EC, HOT,COLD, BUBBLE, 1W, D/M			
PRPSSWFJA6	RENE, INFI, EC, HOT,COLD, NON-BUBBLE, 1W, D/M			
PRPSSWFJA7	RENE, INFI, EC, COLD, BUBBLE, 1W, D/M			
PRPSSWFJA8	RENE, INFI, EC, COLD, NON-BUBBLE, 1W, D/M			
PRPSSWFJAA	RENE, INFI, NON-EC, HOT,COLD, BUBBLE, NON-1W			
PRPSSWFJAB	RENE, INFI, NON-EC, HOT,COLD, NON-BUBBLE, NON-1W			
PRPSSWFJAC	RENE, INFI, NON-EC, COLD, BUBBLE, NON-1W, D/M			
PRPSSWFJAD	RENE, INFI, NON-EC, COLD, NON-BUBBLE, NON-1W, D/M			
PRPSSWFJAE	RENE, INFI, EC, HOT,COLD, BUBBLE, NON-1W, D/M			
PRPSSWFJAF	RENE, INFI, EC, HOT,COLD, NON-BUBBLE, NON-1W, D/M			
PRPSSWFJAG	RENE, INFI, EC, COLD, BUBBLE, NON-1W, D/M			
PRPSSWFJAH	RENE, INFI, EC, COLD, NON-BUBBLE, NON-1W, D/M			
PRPSSWFJB1	RENE, INFI, NON-EC, HOT,COLD, BUBBLE, 1W, D/M			2nd PANEL (DWD-FD142X SERIES)
PRPSSWFJB2	RENE, INFI, NON-EC, HOT,COLD, NON-BUBBLE, 1W, D/M			
PRPSSWFJB3	RENE, INFI, NON-EC OPTION, COLD OPTION, BUBBLE OPTION, 1W, D/M			
PRPSSWFJB4	RENE, INFI, NON-EC, COLD, NON-BUBBLE, 1W, D/M			
PRPSSWFJB5	RENE, INFI, EC, HOT,COLD, BUBBLE, 1W, D/M			
PRPSSWFJB6	RENE, INFI, EC, HOT,COLD, NON-BUBBLE, 1W, D/M			
PRPSSWFJB7	RENE, INFI, EC, COLD, BUBBLE, 1W, D/M			
PRPSSWFJB8	RENE, INFI, EC, COLD, NON-BUBBLE, 1W, D/M			
PRPSSWFJBA	RENE, INFI, NON-EC, HOT,COLD, BUBBLE, NON-1W, D/M			
PRPSSWFJBB	RENE, INFI, NON-EC, HOT,COLD, NON-BUBBLE, NON-1W, D/M			
PRPSSWFJBC	RENE, INFI, NON-EC OPTION, COLD OPTION, BUBBLE OPTION, NON-1W, D/M			
PRPSSWFJBD	RENE, INFI, NON-EC, COLD, NON-BUBBLE, NON-1W, D/M			
PRPSSWFJBE	RENE, INFI, EC, HOT,COLD, BUBBLE, NON-1W, D/M			
PRPSSWFJBF	RENE, INFI, EC, HOT,COLD, NON-BUBBLE, NON-1W, D/M			
PRPSSWFJBG	RENE, INFI, EC, COLD, BUBBLE, NON-1W, D/M			
PRPSSWFJBH	RENE, INFI, EC, COLD, NON-BUBBLE, NON-1W, D/M			
PRPSSWFJC1	RENE, INFI, NON-EC, HOT,COLD, BUBBLE, 1W, D/M		3rd PANEL (DWD-FD143X SERIES)	
PRPSSWFJC2	RENE, INFI, NON-EC, HOT,COLD, NON-BUBBLE, 1W, D/M			
PRPSSWFJC3	RENE, INFI, NON-EC OPTION, COLD OPTION, BUBBLE OPTION, 1W, D/M			
PRPSSWFJC4	RENE, INFI, NON-EC, COLD, NON-BUBBLE, 1W, D/M			
PRPSSWFJC5	RENE, INFI, EC, HOT,COLD, BUBBLE, 1W, D/M			
PRPSSWFJC6	RENE, INFI, EC, HOT,COLD, NON-BUBBLE, 1W, D/M			
PRPSSWFJC7	RENE, INFI, EC, COLD, BUBBLE, 1W, D/M			
PRPSSWFJC8	RENE, INFI, EC, COLD, NON-BUBBLE, 1W, D/M			
PRPSSWFJCA	RENE, INFI, NON-EC, HOT,COLD, BUBBLE, NON-1W, D/M			
PRPSSWFJCB	RENE, INFI, NON-EC, HOT,COLD, NON-BUBBLE, NON-1W, D/M			
PRPSSWFJCC	RENE, INFI, NON-EC OPTION, COLD OPTION, BUBBLE OPTION, NON-1W, D/M			
PRPSSWFJCD	RENE, INFI, NON-EC, COLD, NON-BUBBLE, NON-1W, D/M			
PRPSSWFJCE	RENE, INFI, EC, HOT,COLD, BUBBLE, NON-1W, D/M			
PRPSSWFJCF	RENE, INFI, EC, HOT,COLD, NON-BUBBLE, NON-1W, D/M			
PRPSSWFJCG	RENE, INFI, EC, COLD, BUBBLE, NON-1W, D/M			
PRPSSWFJCH	RENE, INFI, EC, COLD, NON-BUBBLE, NON-1W, D/M			

PART CODE	SPECIFICATION	Q'TY	REMARK
PRPSSWFJD1	RENE, INFI, NON-EC, HOT,COLD, BUBBLE, 1W, D/M	1	4th PANEL (DWD- FD144X SERIES)
PRPSSWFJD2	RENE, INFI, NON-EC, HOT,COLD, NON-BUBBLE, 1W, D/M		
PRPSSWFJD3	RENE, INFI, NON-EC OPTION, COLD OPTION, BUBBLE OPTION, 1W, D/M		
PRPSSWFJD4	RENE, INFI, NON-EC, COLD, NON-BUBBLE, 1W, D/M		
PRPSSWFJD5	RENE, INFI, EC, HOT,COLD, BUBBLE, 1W, D/M		
PRPSSWFJD6	RENE, INFI, EC, HOT,COLD, NON-BUBBLE, 1W, D/M		
PRPSSWFJD7	RENE, INFI, EC, COLD, BUBBLE, 1W, D/M		
PRPSSWFJD8	RENE, INFI, EC, COLD, NON-BUBBLE, 1W, D/M		
PRPSSWFJDA	RENE, INFI, NON-EC, HOT,COLD, BUBBLE, NON-1W, D/M		
PRPSSWFJDB	RENE, INFI, NON-EC, HOT,COLD, NON-BUBBLE, NON-1W, D/M		
PRPSSWFJDC	RENE, INFI, NON-EC OPTION, COLD OPTION, BUBBLE OPTION, NON-1W, D/M		
PRPSSWFJDD	RENE, INFI, NON-EC, COLD, NON-BUBBLE, NON-1W, D/M		
PRPSSWFJDE	RENE, INFI, EC, HOT,COLD, BUBBLE, NON-1W, D/M		
PRPSSWFJDF	RENE, INFI, EC, HOT,COLD, NON-BUBBLE, NON-1W, D/M		
PRPSSWFJDG	RENE, INFI, EC, COLD, BUBBLE, NON-1W, D/M		
PRPSSWFJDH	RENE, INFI, EC, COLD, NON-BUBBLE, NON-1W, D/M		
PRPSSWFJF1	RENE, INFI, NON-EC OPTION, HOT,COLD OPTION, BUBBLE OPTION, 1W, D/M		5th PANEL (DWD- FD145X SERIES)
PRPSSWFJF2	RENE, INFI, NON-EC OPTION, HOT,COLD OPTION, NON-BUBBLE OPTION, 1W, D/M		
PRPSSWFJF3	RENE, INFI, NON-EC OPTION, COLD OPTION, BUBBLE OPTION, 1W, D/M		
PRPSSWFJF4	RENE, INFI, NON-EC OPTION, COLD OPTION, NON-BUBBLE OPTION, 1W, D/M		
PRPSSWFJF5	RENE, INFI, EC OPTION, HOT,COLD OPTION, BUBBLE OPTION, 1W, D/M		
PRPSSWFJF6	RENE, INFI, EC OPTION, HOT,COLD OPTION, NON-BUBBLE OPTION, 1W, D/M		
PRPSSWFJF7	RENE, INFI, EC OPTION, COLD OPTION, BUBBLE OPTION, 1W, D/M		
PRPSSWFJF8	RENE, INFI, EC OPTION, COLD OPTION, NON-BUBBLE OPTION, 1W, D/M		
PRPSSWFJFA	RENE, INFI, NON-EC OPTION, HOT,COLD OPTION, BUBBLE OPTION, NON-1W, D/M		
PRPSSWFJFB	RENE, INFI, NON-EC OPTION, HOT,COLD OPTION, NON-BUBBLE OPTION, NON-1W, D/M		
PRPSSWFJFC	RENE, INFI, NON-EC OPTION, COLD OPTION, BUBBLE OPTION, NON-1W, D/M		
PRPSSWFJFD	RENE, INFI, NON-EC OPTION, COLD OPTION, NON-BUBBLE OPTION, NON-1W, D/M		
PRPSSWFJFE	RENE, INFI, EC OPTION, HOT,COLD OPTION, BUBBLE OPTION, 1W, NON-D/M		
PRPSSWFJFF	RENE, INFI, EC OPTION, HOT,COLD OPTION, NON-BUBBLE OPTION, NON-1W, D/M		
PRPSSWFJFG	RENE, INFI, EC OPTION, COLD OPTION, BUBBLE OPTION, NON-1W, D/M		
PRPSSWFJFH	RENE, INFI, EC OPTION, COLD OPTION, NON-BUBBLE OPTION, NON-1W, D/M		
PRPSSWFKG1	RENE, INFI, NON-EC, HOT,COLD, BUBBLE, 1W, D/M, ISLAMIC RINSE		6th PANEL (DWD- FD146X SERIES)
PRPSSWFKG2	RENE, INFI, NON-EC, HOT,COLD, BUBBLE, 1W, D/M		
PRPSSWFKG3	RENE, INFI, NON-EC, HOT,COLD, NON-BUBBLE, 1W, D/M, ISLAMIC RINSE		
PRPSSWFKG4	RENE, INFI, NON-EC, HOT,COLD, NON-BUBBLE, 1W, D/M		
PRPSSWFKG5	RENE, INFI, NON-EC OPTION, COLD OPTION, BUBBLE OPTION, 1W, D/M, ISLAMIC RINSE		
PRPSSWFKG6	RENE, INFI, NON-EC OPTION, COLD OPTION, BUBBLE OPTION, 1W, D/M		
PRPSSWFKG7	RENE, INFI, NON-EC, COLD, NON-BUBBLE, 1W, D/M, ISLAMIC RINSE		
PRPSSWFKG8	RENE, INFI, NON-EC, COLD, NON-BUBBLE, 1W, D/M		
PRPSSWFKG9	RENE, INFI, EC, HOT,COLD, BUBBLE, 1W, D/M, ISLAMIC RINSE		
PRPSSWFKH0	RENE, INFI, EC, HOT,COLD, BUBBLE, 1W, D/M		
PRPSSWFKH1	RENE, INFI, EC, HOT,COLD, NON-BUBBLE, 1W, D/M, ISLAMIC RINSE		
PRPSSWFKH2	RENE, INFI, EC, HOT,COLD, NON-BUBBLE, 1W, D/M		
PRPSSWFKH3	RENE, INFI, EC, COLD, BUBBLE, 1W, D/M, ISLAMIC RINSE		
PRPSSWFKH4	RENE, INFI, EC, COLD, BUBBLE, 1W, D/M		
PRPSSWFKH5	RENE, INFI, EC, COLD, NON-BUBBLE, 1W, D/M, ISLAMIC RINSE		
PRPSSWFKH6	RENE, INFI, EC, COLD, NON-BUBBLE, 1W, D/M		
PRPSSWFKGA	RENE, INFI, NON-EC, HOT,COLD, BUBBLE, NON-1W, D/M, ISLAMIC RINSE		

PART CODE	SPECIFICATION	Q'TY	REMARK
PRPSSWFKGB	RENE, INFI, NON-EC, HOT,COLD, BUBBLE, NON-1W, D/M	1	6th PANEL (DWD- FD146X SERIES)
PRPSSWFKGC	RENE, INFI, NON-EC, HOT,COLD, NON-BUBBLE, NON-1W, D/M, ISLAMIC RINSE		
PRPSSWFKGD	RENE, INFI, NON-EC, HOT,COLD, NON-BUBBLE, NON-1W, D/M		
PRPSSWFKGE	RENE, INFI, NON-EC OPTION, COLD OPTION, BUBBLE OPTION, NON-1W, D/M, ISLAMIC RINSE		
PRPSSWFKGF	RENE, INFI, NON-EC OPTION, COLD OPTION, BUBBLE OPTION, NON-1W, D/M		
PRPSSWFKGG	RENE, INFI, NON-EC, COLD, NON-BUBBLE, NON-1W, D/M, ISLAMIC RINSE		
PRPSSWFKGH	RENE, INFI, NON-EC, COLD, NON-BUBBLE, NON-1W, D/M		
PRPSSWFKGJ	RENE, INFI, EC, HOT,COLD, BUBBLE, NON-1W, D/M, ISLAMIC RINSE		
PRPSSWFKGK	RENE, INFI, EC, HOT,COLD, BUBBLE, NON-1W, D/M		
PRPSSWFKGL	RENE, INFI, EC, HOT,COLD, NON-BUBBLE, NON-1W, D/M, ISLAMIC RINSE		
PRPSSWFKGM	RENE, INFI, EC, HOT,COLD, NON-BUBBLE, NON-1W, D/M		
PRPSSWFKGN	RENE, INFI, EC, COLD, BUBBLE, NON-1W, D/M, ISLAMIC RINSE		
PRPSSWFKGP	RENE, INFI, EC, COLD, BUBBLE, NON-1W, D/M		
PRPSSWFKGQ	RENE, INFI, EC, COLD, NON-BUBBLE, NON-1W, D/M, ISLAMIC RINSE		
PRPSSWFKGR	RENE, INFI, EC, COLD, NON-BUBBLE, NON-1W, D/M		
PRPSSWFKJ1	RENE, INFI, NON-EC, HOT,COLD, BUBBLE, 1W, D/M, ISLAMIC RINSE		
PRPSSWFKJ2	RENE, INFI, NON-EC, HOT,COLD, BUBBLE, 1W, D/M		
PRPSSWFKJ3	RENE, INFI, NON-EC, HOT,COLD, NON-BUBBLE, 1W, D/M, ISLAMIC RINSE		
PRPSSWFKJ4	RENE, INFI, NON-EC, HOT,COLD, NON-BUBBLE, 1W, D/M		
PRPSSWFKJ5	RENE, INFI, NON-EC OPTION, COLD OPTION, BUBBLE OPTION, 1W, D/M, ISLAMIC RINSE		
PRPSSWFKJ6	RENE, INFI, NON-EC OPTION, COLD OPTION, BUBBLE OPTION, 1W, D/M		
PRPSSWFKJ7	RENE, INFI, NON-EC, COLD, NON-BUBBLE, 1W, D/M, ISLAMIC RINSE		
PRPSSWFKJ8	RENE, INFI, NON-EC, COLD, NON-BUBBLE, 1W, D/M		
PRPSSWFKJ9	RENE, INFI, EC, HOT,COLD, BUBBLE, 1W, D/M, ISLAMIC RINSE		
PRPSSWFKK0	RENE, INFI, EC, HOT,COLD, BUBBLE, 1W, D/M		
PRPSSWFKK1	RENE, INFI, EC, HOT,COLD, NON-BUBBLE, 1W, D/M, ISLAMIC RINSE		
PRPSSWFKK2	RENE, INFI, EC, HOT,COLD, NON-BUBBLE, 1W, D/M		
PRPSSWFKK3	RENE, INFI, EC, COLD, BUBBLE, 1W, D/M, ISLAMIC RINSE		
PRPSSWFKK4	RENE, INFI, EC, COLD, BUBBLE, 1W, D/M		
PRPSSWFKK5	RENE, INFI, EC, COLD, NON-BUBBLE, 1W, D/M, ISLAMIC RINSE		
PRPSSWFKK6	RENE, INFI, EC, COLD, NON-BUBBLE, 1W, D/M		
PRPSSWFKHA	RENE, INFI, NON-EC, HOT,COLD, BUBBLE, NON-1W, D/M, ISLAMIC RINSE		7th PANEL (DWD- FD147X SERIES)
PRPSSWFKHB	RENE, INFI, NON-EC, HOT,COLD, BUBBLE, NON-1W, D/M		
PRPSSWFKHC	RENE, INFI, NON-EC, HOT,COLD, NON-BUBBLE, NON-1W, D/M, ISLAMIC RINSE		
PRPSSWFKHD	RENE, INFI, NON-EC, HOT,COLD, NON-BUBBLE, NON-1W, D/M		
PRPSSWFKHE	RENE, INFI, NON-EC OPTION, COLD OPTION, BUBBLE OPTION, NON-1W, D/M, ISLAMIC RINSE		
PRPSSWFKHF	RENE, INFI, NON-EC OPTION, COLD OPTION, BUBBLE OPTION, NON-1W, D/M		
PRPSSWFKHG	RENE, INFI, NON-EC, COLD, NON-BUBBLE, NON-1W, D/M, ISLAMIC RINSE		
PRPSSWFKHH	RENE, INFI, NON-EC, COLD, NON-BUBBLE, NON-1W, D/M		
PRPSSWFKHJ	RENE, INFI, EC, HOT,COLD, BUBBLE, NON-1W, D/M, ISLAMIC RINSE		
PRPSSWFKHK	RENE, INFI, EC, HOT,COLD, BUBBLE, NON-1W, D/M		
PRPSSWFKHL	RENE, INFI, EC, HOT,COLD, NON-BUBBLE, NON-1W, D/M, ISLAMIC RINSE		
PRPSSWFKHM	RENE, INFI, EC, HOT,COLD, NON-BUBBLE, NON-1W, D/M		
PRPSSWFKHN	RENE, INFI, EC, COLD, BUBBLE, NON-1W, D/M, ISLAMIC RINSE		
PRPSSWFKHP	RENE, INFI, EC, COLD, BUBBLE, NON-1W, D/M		
PRPSSWFKHQ	RENE, INFI, EC, COLD, NON-BUBBLE, NON-1W, D/M, ISLAMIC RINSE		
PRPSSWFKHR	RENE, INFI, EC, COLD, NON-BUBBLE, NON-1W, D/M		

PART CODE	SPECIFICATION	Q'TY	REMARK
PRPSSWFJE1	RENE, INFI, NON-EC, HOT,COLD, BUBBLE, 1W, D/M	1	ABUDABI (DWD- AFD143X SERIES)
PRPSSWFJE2	RENE, INFI, NON-EC, HOT,COLD, NON-BUBBLE, 1W, D/M		
PRPSSWFJE3	RENE, INFI, NON-EC OPTION, COLD OPTION, BUBBLE OPTION, 1W, D/M		
PRPSSWFJE4	RENE, INFI, NON-EC, COLD, NON-BUBBLE, 1W, D/M		
PRPSSWFJE5	RENE, INFI, EC, HOT,COLD, BUBBLE, 1W, D/M		
PRPSSWFJE6	RENE, INFI, EC, HOT,COLD, NON-BUBBLE, 1W, D/M		
PRPSSWFJE7	RENE, INFI, EC, COLD, BUBBLE, 1W, D/M		
PRPSSWFJE8	RENE, INFI, EC, COLD, NON-BUBBLE, 1W, D/M		
PRPSSWFJEA	RENE, INFI, NON-EC, HOT,COLD, BUBBLE, NON-1W, D/M		
PRPSSWFJEB	RENE, INFI, NON-EC, HOT,COLD, NON-BUBBLE, NON-1W, D/M		
PRPSSWFJEC	RENE, INFI, NON-EC OPTION, COLD OPTION, BUBBLE OPTION, NON-1W, D/M		
PRPSSWFJED	RENE, INFI, NON-EC, COLD, NON-BUBBLE, NON-1W, D/M		
PRPSSWFJEE	RENE, INFI, EC, HOT,COLD, BUBBLE, NON-1W, D/M		
PRPSSWFJEF	RENE, INFI, EC, HOT,COLD, NON-BUBBLE, NON-1W, D/M		
PRPSSWFJEG	RENE, INFI, EC, COLD, BUBBLE, NON-1W, D/M		
PRPSSWFJEH	RENE, INFI, EC, COLD, NON-BUBBLE, NON-1W, D/M		

NOTE : PCB AS OPTIONS

1. EC(Electricity failure Compensation) Option : EC(Apply EC option), NON-EC(Do not apply EC option).
2. Water Inlet Valve Option : HOT(Apply cold Inlet valve and hot inlet valve), COLD(Apply cold inlet valve only).
3. Bubble Pump Option : BB(Apply bubble pump), NON-BB(Do not apply bubble pump).
4. 1W Standby Power Option : 1W(Apply 1W standby power option), NON-1W(Do not apply 1W standby power option).
5. Motor Maker Option : D/M(Apply 'Dongsuh' motor), N/M(Apply 'Newmotech' motor).
6. Function Button Option : ISLAMIC RINSE(Apply 'Islamic Rinse' function), Others(Apply 'Water+' function).

■ Detailed Part Code of PCB AS (NEWMOTECH)

PART CODE	SPECIFICATION	Q'TY	REMARK
PRPSSWFLA1	RENE, INFI, NON-EC, HOT,COLD, BUBBLE, 1W, N/M	1	1st PANEL (DWD- FD141X SERIES)
PRPSSWFLA2	RENE, INFI, NON-EC, HOT,COLD, NON-BUBBLE, 1W, N/M		
PRPSSWFLA3	RENE, INFI, NON-EC, COLD, BUBBLE, 1W, N/M		
PRPSSWFLA4	RENE, INFI, NON-EC, COLD, NON-BUBBLE, 1W, N/M		
PRPSSWFLA5	RENE, INFI, EC, HOT,COLD, BUBBLE, 1W, N/M		
PRPSSWFLA6	RENE, INFI, EC, HOT,COLD, NON-BUBBLE, 1W, N/M		
PRPSSWFLA7	RENE, INFI, EC, COLD, BUBBLE, 1W, N/M		
PRPSSWFLA8	RENE, INFI, EC, COLD, NON-BUBBLE, 1W, N/M		
PRPSSWFLAA	RENE, INFI, NON-EC, HOT,COLD, BUBBLE, NON-1W, N/M		
PRPSSWFLAB	RENE, INFI, NON-EC, HOT,COLD, NON-BUBBLE, NON-1W, N/M		
PRPSSWFLAC	RENE, INFI, NON-EC, COLD, BUBBLE, NON-1W, N/M		
PRPSSWFLAD	RENE, INFI, NON-EC, COLD, NON-BUBBLE, NON-1W, N/M		
PRPSSWFLAE	RENE, INFI, EC, HOT,COLD, BUBBLE, NON-1W, N/M		
PRPSSWFLAF	RENE, INFI, EC, HOT,COLD, NON-BUBBLE, NON-1W, N/M		
PRPSSWFLAG	RENE, INFI, EC, COLD, BUBBLE, NON-1W, N/M		
PRPSSWFLAH	RENE, INFI, EC, COLD, NON-BUBBLE, NON-1W, N/M		
PRPSSWFLB1	RENE, INFI, NON-EC, HOT,COLD, BUBBLE, 1W, N/M		2nd PANEL (DWD- FD142X SERIES)
PRPSSWFLB2	RENE, INFI, NON-EC, HOT,COLD, NON-BUBBLE, 1W, N/M		
PRPSSWFLB3	RENE, INFI, NON-EC OPTION, COLD OPTION, BUBBLE OPTION, 1W, N/M		
PRPSSWFLB4	RENE, INFI, NON-EC, COLD, NON-BUBBLE, 1W, N/M		
PRPSSWFLB5	RENE, INFI, EC, HOT,COLD, BUBBLE, 1W, N/M		
PRPSSWFLB6	RENE, INFI, EC, HOT,COLD, NON-BUBBLE, 1W, N/M		
PRPSSWFLB7	RENE, INFI, EC, COLD, BUBBLE, 1W, N/M		
PRPSSWFLB8	RENE, INFI, EC, COLD, NON-BUBBLE, 1W, N/M		
PRPSSWFLBA	RENE, INFI, NON-EC, HOT,COLD, BUBBLE, NON-1W, N/M		
PRPSSWFLBB	RENE, INFI, NON-EC, HOT,COLD, NON-BUBBLE, NON-1W, N/M		
PRPSSWFLBC	RENE, INFI, NON-EC OPTION, COLD OPTION, BUBBLE OPTION, NON-1W, N/M		
PRPSSWFLBD	RENE, INFI, NON-EC, COLD, NON-BUBBLE, NON-1W, N/M		
PRPSSWFLBE	RENE, INFI, EC, HOT,COLD, BUBBLE, NON-1W, N/M		
PRPSSWFLBF	RENE, INFI, EC, HOT,COLD, NON-BUBBLE, NON-1W, N/M		
PRPSSWFLBG	RENE, INFI, EC, COLD, BUBBLE, NON-1W, N/M		
PRPSSWFLBH	RENE, INFI, EC, COLD, NON-BUBBLE, NON-1W, N/M		3rd PANEL (DWD- FD143X SERIES)
PRPSSWFLC1	RENE, INFI, NON-EC, HOT,COLD, BUBBLE, 1W, N/M		
PRPSSWFLC2	RENE, INFI, NON-EC, HOT,COLD, NON-BUBBLE, 1W, N/M		
PRPSSWFLC3	RENE, INFI, NON-EC OPTION, COLD OPTION, BUBBLE OPTION, 1W, N/M		
PRPSSWFLC4	RENE, INFI, NON-EC, COLD, NON-BUBBLE, 1W, N/M		
PRPSSWFLC5	RENE, INFI, EC, HOT,COLD, BUBBLE, 1W, N/M		
PRPSSWFLC6	RENE, INFI, EC, HOT,COLD, NON-BUBBLE, 1W, N/M		
PRPSSWFLC7	RENE, INFI, EC, COLD, BUBBLE, 1W, N/M		
PRPSSWFLC8	RENE, INFI, EC, COLD, NON-BUBBLE, 1W, N/M		
PRPSSWFLCA	RENE, INFI, NON-EC, HOT,COLD, BUBBLE, NON-1W, N/M		
PRPSSWFLCB	RENE, INFI, NON-EC, HOT,COLD, NON-BUBBLE, NON-1W, N/M		
PRPSSWFLCC	RENE, INFI, NON-EC OPTION, COLD OPTION, BUBBLE OPTION, NON-1W, N/M		
PRPSSWFLCD	RENE, INFI, NON-EC, COLD, NON-BUBBLE, NON-1W, N/M		
PRPSSWFLCE	RENE, INFI, EC, HOT,COLD, BUBBLE, NON-1W, N/M		
PRPSSWFLCF	RENE, INFI, EC, HOT,COLD, NON-BUBBLE, NON-1W, N/M		
PRPSSWFLCG	RENE, INFI, EC, COLD, BUBBLE, NON-1W, N/M		
PRPSSWFLCH	RENE, INFI, EC, COLD, NON-BUBBLE, NON-1W, N/M		

PART CODE	SPECIFICATION	Q'TY	REMARK	
PRPSSWFLD1	RENE, INFI, NON-EC, HOT,COLD, BUBBLE, 1W, N/M	1	4th PANEL (DWD- FD144X SERIES)	
PRPSSWFLD2	RENE, INFI, NON-EC, HOT,COLD, NON-BUBBLE, 1W, N/M			
PRPSSWFLD3	RENE, INFI, NON-EC OPTION, COLD OPTION, BUBBLE OPTION, 1W, N/M			
PRPSSWFLD4	RENE, INFI, NON-EC, COLD, NON-BUBBLE, 1W, N/M			
PRPSSWFLD5	RENE, INFI, EC, HOT,COLD, BUBBLE, 1W, N/M			
PRPSSWFLD6	RENE, INFI, EC, HOT,COLD, NON-BUBBLE, 1W, N/M			
PRPSSWFLD7	RENE, INFI, EC, COLD, BUBBLE, 1W, N/M			
PRPSSWFLD8	RENE, INFI, EC, COLD, NON-BUBBLE, 1W, N/M			
PRPSSWFLDA	RENE, INFI, NON-EC, HOT,COLD, BUBBLE, NON-1W, N/M			
PRPSSWFLDB	RENE, INFI, NON-EC, HOT,COLD, NON-BUBBLE, NON-1W, N/M			
PRPSSWFLDC	RENE, INFI, NON-EC OPTION, COLD OPTION, BUBBLE OPTION, NON-1W, N/M			
PRPSSWFLDD	RENE, INFI, NON-EC, COLD, NON-BUBBLE, NON-1W, N/M			
PRPSSWFLDE	RENE, INFI, EC, HOT,COLD, BUBBLE, NON-1W, N/M			
PRPSSWFLDF	RENE, INFI, EC, HOT,COLD, NON-BUBBLE, NON-1W, N/M			
PRPSSWFLDG	RENE, INFI, EC, COLD, BUBBLE, NON-1W, N/M			
PRPSSWFLDH	RENE, INFI, EC, COLD, NON-BUBBLE, NON-1W, N/M			
PRPSSWFLF1	RENE, INFI, NON-EC OPTION, HOT,COLD OPTION, BUBBLE OPTION, 1W, N/M			5th PANEL (DWD- FD145X SERIES)
PRPSSWFLF2	RENE, INFI, NON-EC OPTION, HOT,COLD OPTION, NON-BUBBLE OPTION, 1W, N/M			
PRPSSWFLF3	RENE, INFI, NON-EC OPTION, COLD OPTION, BUBBLE OPTION, 1W, N/M			
PRPSSWFLF4	RENE, INFI, NON-EC OPTION, COLD OPTION, NON-BUBBLE OPTION, 1W, N/M			
PRPSSWFLF5	RENE, INFI, EC OPTION, HOT,COLD OPTION, BUBBLE OPTION, 1W, N/M			
PRPSSWFLF6	RENE, INFI, EC OPTION, HOT,COLD OPTION, NON-BUBBLE OPTION, 1W, N/M			
PRPSSWFLF7	RENE, INFI, EC OPTION, COLD OPTION, BUBBLE OPTION, 1W, N/M			
PRPSSWFLF8	RENE, INFI, EC OPTION, COLD OPTION, NON-BUBBLE OPTION, 1W, N/M			
PRPSSWFLFA	RENE, INFI, NON-EC OPTION, HOT,COLD OPTION, BUBBLE OPTION, NON-1W, N/M			
PRPSSWFLFB	RENE, INFI, NON-EC OPTION, HOT,COLD OPTION, NON-BUBBLE OPTION, NON-1W, N/M			
PRPSSWFLFC	RENE, INFI, NON-EC OPTION, COLD OPTION, BUBBLE OPTION, NON-1W, N/M			
PRPSSWFLFD	RENE, INFI, NON-EC OPTION, COLD OPTION, NON-BUBBLE OPTION, NON-1W, N/M			
PRPSSWFLFE	RENE, INFI, EC OPTION, HOT,COLD OPTION, BUBBLE OPTION, 1W, NON-1W, N/M			
PRPSSWFLFF	RENE, INFI, EC OPTION, HOT,COLD OPTION, NON-BUBBLE OPTION, NON-1W, N/M			
PRPSSWFLFG	RENE, INFI, EC OPTION, COLD OPTION, BUBBLE OPTION, NON-1W, N/M			
PRPSSWFLFH	RENE, INFI, EC OPTION, COLD OPTION, NON-BUBBLE OPTION, NON-1W, N/M			
PRPSSWFKL1	RENE, INFI, NON-EC, HOT,COLD, BUBBLE, 1W, N/M, ISLAMIC RINSE		6th PANEL (DWD- FD146X SERIES)	
PRPSSWFKL2	RENE, INFI, NON-EC, HOT,COLD, BUBBLE, 1W, N/M			
PRPSSWFKL3	RENE, INFI, NON-EC, HOT,COLD, NON-BUBBLE, 1W, N/M, ISLAMIC RINSE			
PRPSSWFKL4	RENE, INFI, NON-EC, HOT,COLD, NON-BUBBLE, 1W, N/M			
PRPSSWFKL5	RENE, INFI, NON-EC OPTION, COLD OPTION, BUBBLE OPTION, 1W, N/M, ISLAMIC RINSE			
PRPSSWFKL6	RENE, INFI, NON-EC OPTION, COLD OPTION, BUBBLE OPTION, 1W, N/M			
PRPSSWFKL7	RENE, INFI, NON-EC, COLD, NON-BUBBLE, 1W, N/M, ISLAMIC RINSE			
PRPSSWFKL8	RENE, INFI, NON-EC, COLD, NON-BUBBLE, 1W, N/M			
PRPSSWFKL9	RENE, INFI, EC, HOT,COLD, BUBBLE, 1W, N/M, ISLAMIC RINSE			
PRPSSWFKM0	RENE, INFI, EC, HOT,COLD, BUBBLE, 1W, N/M			
PRPSSWFKM1	RENE, INFI, EC, HOT,COLD, NON-BUBBLE, 1W, N/M, ISLAMIC RINSE			
PRPSSWFKM2	RENE, INFI, EC, HOT,COLD, NON-BUBBLE, 1W, N/M			
PRPSSWFKM3	RENE, INFI, EC, COLD, BUBBLE, 1W, N/M, ISLAMIC RINSE			
PRPSSWFKM4	RENE, INFI, EC, COLD, BUBBLE, 1W, N/M			
PRPSSWFKM5	RENE, INFI, EC, COLD, NON-BUBBLE, 1W, N/M, ISLAMIC RINSE			
PRPSSWFKM6	RENE, INFI, EC, COLD, NON-BUBBLE, 1W, N/M			
PRPSSWFKJA	RENE, INFI, NON-EC, HOT,COLD, BUBBLE, NON-1W, N/M, ISLAMIC RINSE			

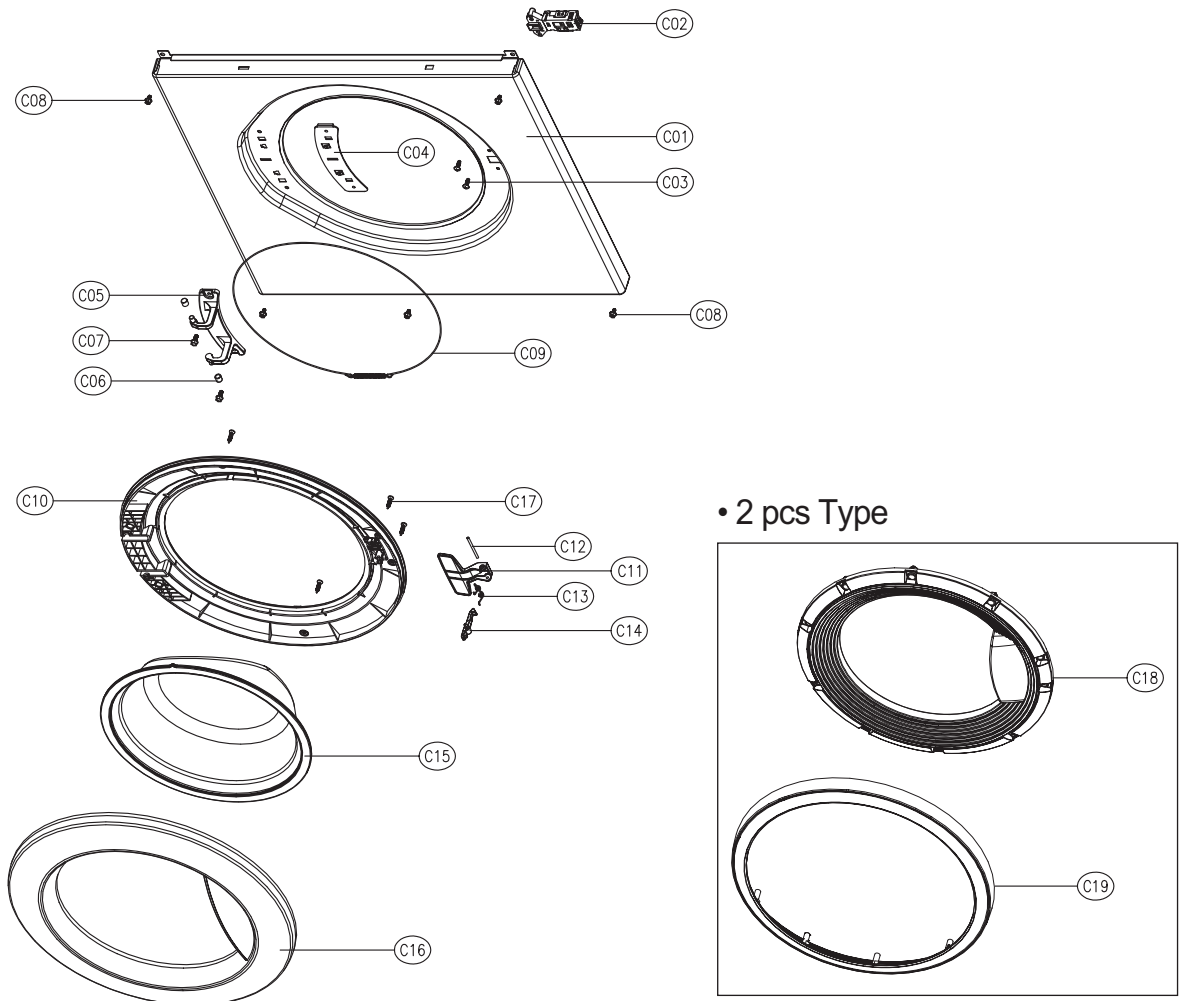
PART CODE	SPECIFICATION	Q'TY	REMARK	
PRPSSWFKJB	RENE, INFI, NON-EC, HOT,COLD, BUBBLE, NON-1W, N/M	1	6th PANEL (DWD- FD146X SERIES)	
PRPSSWFKJC	RENE, INFI, NON-EC, HOT,COLD, NON-BUBBLE, NON-1W, N/M, ISLAMIC RINSE			
PRPSSWFKJD	RENE, INFI, NON-EC, HOT,COLD, NON-BUBBLE, NON-1W, N/M			
PRPSSWFKJE	RENE, INFI, NON-EC OPTION, COLD OPTION, BUBBLE OPTION, NON-1W, N/M, ISLAMIC RINSE			
PRPSSWFKJF	RENE, INFI, NON-EC OPTION, COLD OPTION, BUBBLE OPTION, NON-1W, N/M			
PRPSSWFKJG	RENE, INFI, NON-EC, COLD, NON-BUBBLE, NON-1W, N/M, ISLAMIC RINSE			
PRPSSWFKJH	RENE, INFI, NON-EC, COLD, NON-BUBBLE, NON-1W, N/M			
PRPSSWFKJJ	RENE, INFI, EC, HOT,COLD, BUBBLE, NON-1W, N/M, ISLAMIC RINSE			
PRPSSWFKJK	RENE, INFI, EC, HOT,COLD, BUBBLE, NON-1W, N/M			
PRPSSWFKJL	RENE, INFI, EC, HOT,COLD, NON-BUBBLE, NON-1W, N/M, ISLAMIC RINSE			
PRPSSWFKJM	RENE, INFI, EC, HOT,COLD, NON-BUBBLE, NON-1W, N/M			
PRPSSWFKJN	RENE, INFI, EC, COLD, BUBBLE, NON-1W, N/M, ISLAMIC RINSE			
PRPSSWFKJP	RENE, INFI, EC, COLD, BUBBLE, NON-1W, N/M			
PRPSSWFKJQ	RENE, INFI, EC, COLD, NON-BUBBLE, NON-1W, N/M, ISLAMIC RINSE			
PRPSSWFKJR	RENE, INFI, EC, COLD, NON-BUBBLE, NON-1W, N/M			
PRPSSWFKN1	RENE, INFI, NON-EC, HOT,COLD, BUBBLE, 1W, N/M, ISLAMIC RINSE			7th PANEL (DWD- FD147X SERIES)
PRPSSWFKN2	RENE, INFI, NON-EC, HOT,COLD, BUBBLE, 1W, N/M			
PRPSSWFKN3	RENE, INFI, NON-EC, HOT,COLD, NON-BUBBLE, 1W, N/M, ISLAMIC RINSE			
PRPSSWFKN4	RENE, INFI, NON-EC, HOT,COLD, NON-BUBBLE, 1W, N/M			
PRPSSWFKN5	RENE, INFI, NON-EC OPTION, COLD OPTION, BUBBLE OPTION, 1W, N/M, ISLAMIC RINSE			
PRPSSWFKN6	RENE, INFI, NON-EC OPTION, COLD OPTION, BUBBLE OPTION, 1W, N/M			
PRPSSWFKN7	RENE, INFI, NON-EC, COLD, NON-BUBBLE, 1W, N/M, ISLAMIC RINSE			
PRPSSWFKN8	RENE, INFI, NON-EC, COLD, NON-BUBBLE, 1W, N/M			
PRPSSWFKN9	RENE, INFI, EC, HOT,COLD, BUBBLE, 1W, N/M, ISLAMIC RINSE			
PRPSSWFKP0	RENE, INFI, EC, HOT,COLD, BUBBLE, 1W, N/M			
PRPSSWFKP1	RENE, INFI, EC, HOT,COLD, NON-BUBBLE, 1W, N/M, ISLAMIC RINSE			
PRPSSWFKP2	RENE, INFI, EC, HOT,COLD, NON-BUBBLE, 1W, N/M			
PRPSSWFKP3	RENE, INFI, EC, COLD, BUBBLE, 1W, N/M, ISLAMIC RINSE			
PRPSSWFKP4	RENE, INFI, EC, COLD, BUBBLE, 1W, N/M			
PRPSSWFKP5	RENE, INFI, EC, COLD, NON-BUBBLE, 1W, N/M, ISLAMIC RINSE			
PRPSSWFKP6	RENE, INFI, EC, COLD, NON-BUBBLE, 1W, N/M			
PRPSSWFKKA	RENE, INFI, NON-EC, HOT,COLD, BUBBLE, NON-1W, N/M, ISLAMIC RINSE			
PRPSSWFKKB	RENE, INFI, NON-EC, HOT,COLD, BUBBLE, NON-1W, N/M			
PRPSSWFKKC	RENE, INFI, NON-EC, HOT,COLD, NON-BUBBLE, NON-1W, N/M, ISLAMIC RINSE			
PRPSSWFKKD	RENE, INFI, NON-EC, HOT,COLD, NON-BUBBLE, NON-1W, N/M			
PRPSSWFKKE	RENE, INFI, NON-EC OPTION, COLD OPTION, BUBBLE OPTION, NON-1W, N/M, ISLAMIC RINSE			
PRPSSWFKKF	RENE, INFI, NON-EC OPTION, COLD OPTION, BUBBLE OPTION, NON-1W, N/M			
PRPSSWFKKG	RENE, INFI, NON-EC, COLD, NON-BUBBLE, NON-1W, N/M, ISLAMIC RINSE			
PRPSSWFKKH	RENE, INFI, NON-EC, COLD, NON-BUBBLE, NON-1W, N/M			
PRPSSWFKKJ	RENE, INFI, EC, HOT,COLD, BUBBLE, NON-1W, N/M, ISLAMIC RINSE			
PRPSSWFKKK	RENE, INFI, EC, HOT,COLD, BUBBLE, NON-1W, N/M			
PRPSSWFKKL	RENE, INFI, EC, HOT,COLD, NON-BUBBLE, NON-1W, N/M, ISLAMIC RINSE			
PRPSSWFKKM	RENE, INFI, EC, HOT,COLD, NON-BUBBLE, NON-1W, N/M			
PRPSSWFKKN	RENE, INFI, EC, COLD, BUBBLE, NON-1W, N/M, ISLAMIC RINSE			
PRPSSWFKKP	RENE, INFI, EC, COLD, BUBBLE, NON-1W, N/M			
PRPSSWFKKQ	RENE, INFI, EC, COLD, NON-BUBBLE, NON-1W, N/M, ISLAMIC RINSE			
PRPSSWFKKR	RENE, INFI, EC, COLD, NON-BUBBLE, NON-1W, N/M			

PART CODE	SPECIFICATION	Q'TY	REMARK
PRPSSWFLE1	RENE, INFI, NON-EC, HOT,COLD, BUBBLE, 1W, N/M	1	ABUDABI (DWD- AFD143X SERIES)
PRPSSWFLE2	RENE, INFI, NON-EC, HOT,COLD, NON-BUBBLE, 1W, N/M		
PRPSSWFLE3	RENE, INFI, NON-EC OPTION, COLD OPTION, BUBBLE OPTION, 1W, N/M		
PRPSSWFLE4	RENE, INFI, NON-EC, COLD, NON-BUBBLE, 1W, N/M		
PRPSSWFLE5	RENE, INFI, EC, HOT,COLD, BUBBLE, 1W, N/M		
PRPSSWFLE6	RENE, INFI, EC, HOT,COLD, NON-BUBBLE, 1W, N/M		
PRPSSWFLE7	RENE, INFI, EC, COLD, BUBBLE, 1W, N/M		
PRPSSWFLE8	RENE, INFI, EC, COLD, NON-BUBBLE, 1W, N/M		
PRPSSWFLEA	RENE, INFI, NON-EC, HOT,COLD, BUBBLE, NON-1W, N/M		
PRPSSWFLEB	RENE, INFI, NON-EC, HOT,COLD, NON-BUBBLE, NON-1W, N/M		
PRPSSWFLEC	RENE, INFI, NON-EC OPTION, COLD OPTION, BUBBLE OPTION, NON-1W, N/M		
PRPSSWFLED	RENE, INFI, NON-EC, COLD, NON-BUBBLE, NON-1W, N/M		
PRPSSWFLEE	RENE, INFI, EC, HOT,COLD, BUBBLE, NON-1W, N/M		
PRPSSWFLEF	RENE, INFI, EC, HOT,COLD, NON-BUBBLE, NON-1W, N/M		
PRPSSWFLEG	RENE, INFI, EC, COLD, BUBBLE, NON-1W, N/M		
PRPSSWFLEH	RENE, INFI, EC, COLD, NON-BUBBLE, NON-1W, N/M		

NOTE : PCB AS OPTIONS

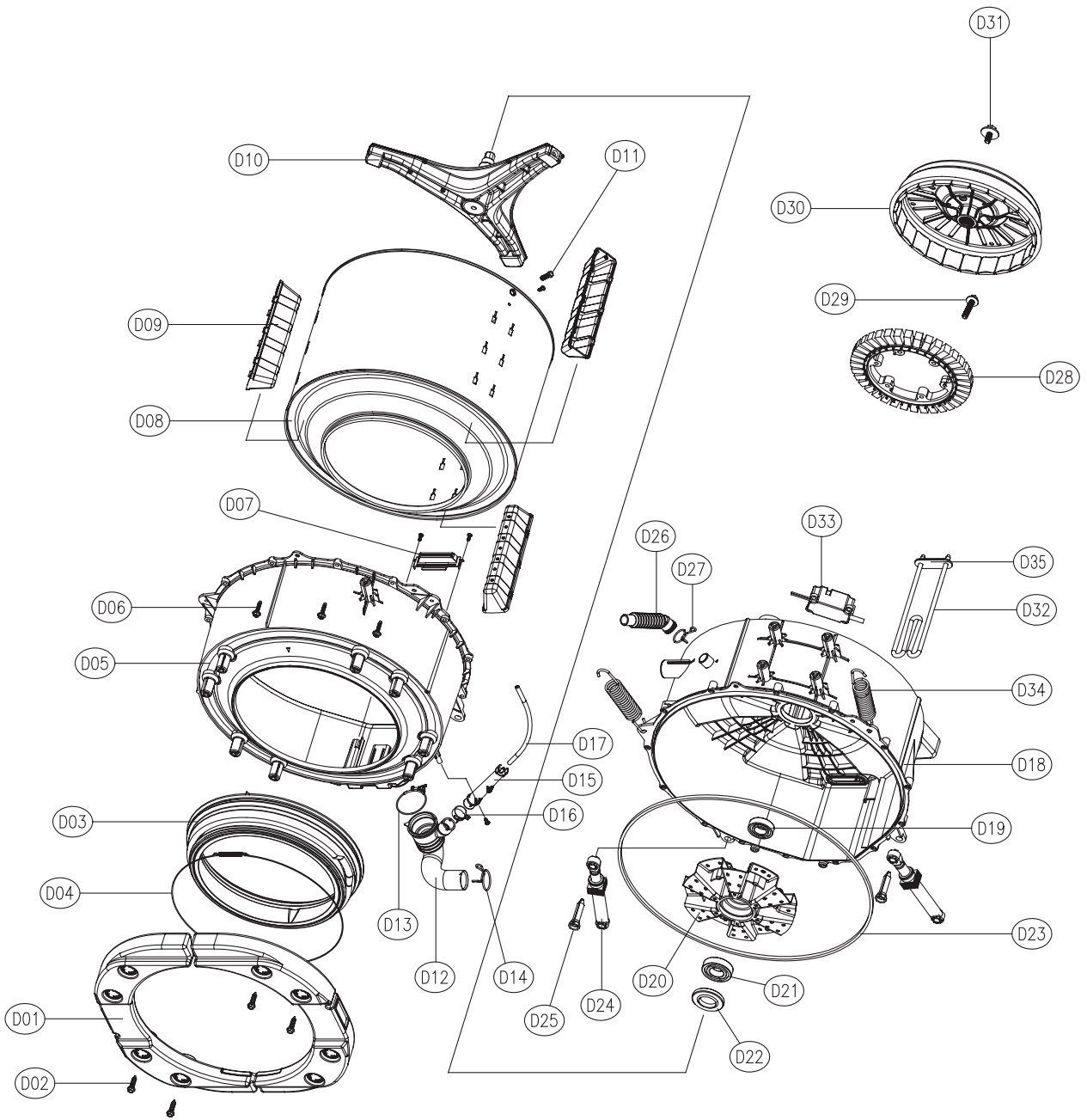
1. EC(Electricity failure Compensation) Option : EC(Apply EC option), NON-EC(Do not apply EC option).
2. Water Inlet Valve Option : HOT(Apply cold Inlet valve and hot inlet valve), COLD(Apply cold inlet valve only).
3. Bubble Pump Option : BB(Apply bubble pump), NON-BB(Do not apply bubble pump).
4. 1W Standby Power Option : 1W(Apply 1W standby power option), NON-1W(Do not apply 1W standby power option).
5. Motor Maker Option : D/M(Apply 'Dongsuh' motor), N/M(Apply 'Newmotech' motor).
6. Function Button Option : ISLAMIC RINSE(Apply 'Islamic Rinse' function), Others(Apply 'Water+' function).

■ CABINET FRONT AS



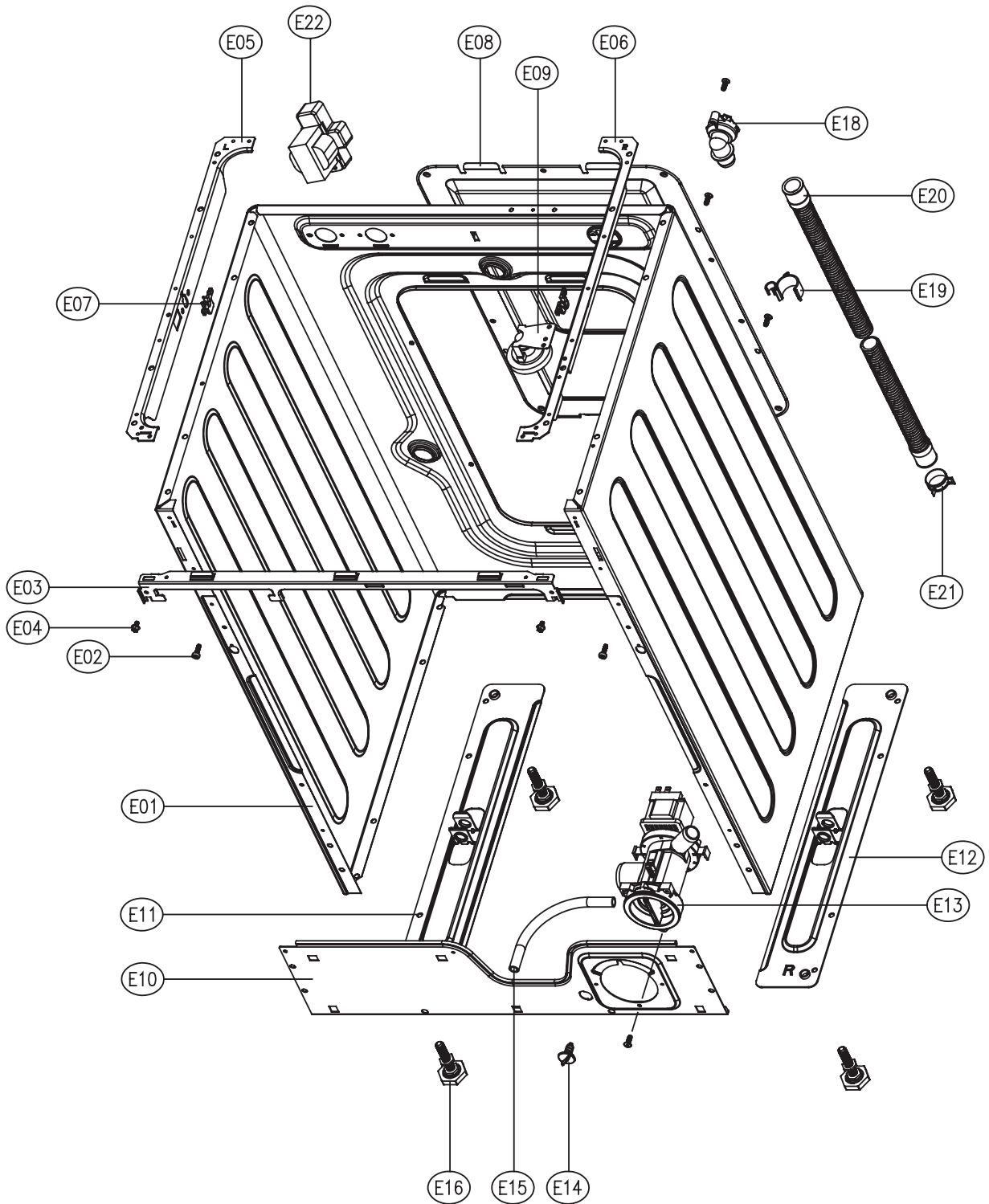
No.	PART NAME	PART CODE	SPECIFICATION	Q'TY	REMARK
C01	CABINET *F	3610811220	SECD 0.7T	1	DWD-FD14X1(2) DWD-FD14X3
		3610811210	PCM, SGCC 0.8T, SILVER		
C02	SWITCH DOOR LOCK	3619047100	DL-LC BITRON_3P 250V 16A BI-METAL	1	
C03	SCREW TAPPING	7122401208	T2S TRS 4X12 SUS	2	
C04	PLATE HINGE SUPPORT	3614531900	SGCC T1.6	0	No use
C05	HINGE DOOR	3612902800	ALDC	1	
C06	CAP HINGE DOOR	3610916500	POM	2	
C07	SCREW TAPPING	3616051229	F/L BOLT(SE) 5*12 SUS	2	
C08	SCREW TAPPING	3616029950	TTS"S" HEX F/L 4*8	6	
C09	CLAMP DOOR AS	3611204810	HSW3, D=1.4 GS	1	
C10	FRAME DOOR *I	3612205200	PP	1	
C11	HANDLE DOOR	3612608600	ABS	1	
C12	PIN HANDLE	3618200200	SUS304, D3, L48	1	
C13	SPRING HOOK	3615114600	SUS D1.4	1	
C14	HOOK DOOR	3613100700	ZNDC	1	
C15	DOOR GLASS	361A110700	GLASS PI300	1	
C16	FRAME DOOR *O	3612205102	HIPS D-F'S	1	DWD-FD14X1 DWD-FD14X2(3)
		3612205120	CR3		
C17	SCREW TAPPING	7115402029	T1S FLT 4*20 SUS	6	
C18	FRAME DOOR O	3612211900	D-F'S, 2 PCS TYPE, ABS, BLACK	1	2 pcs type(option)
		3612211910	D-F'S, 2 PCS TYPE, HIPS, WHITE		
C19	DECO DOOR O	3612212000	D-F'SERIES 6&7TH , ABS	1	

■ TUB ASS'Y



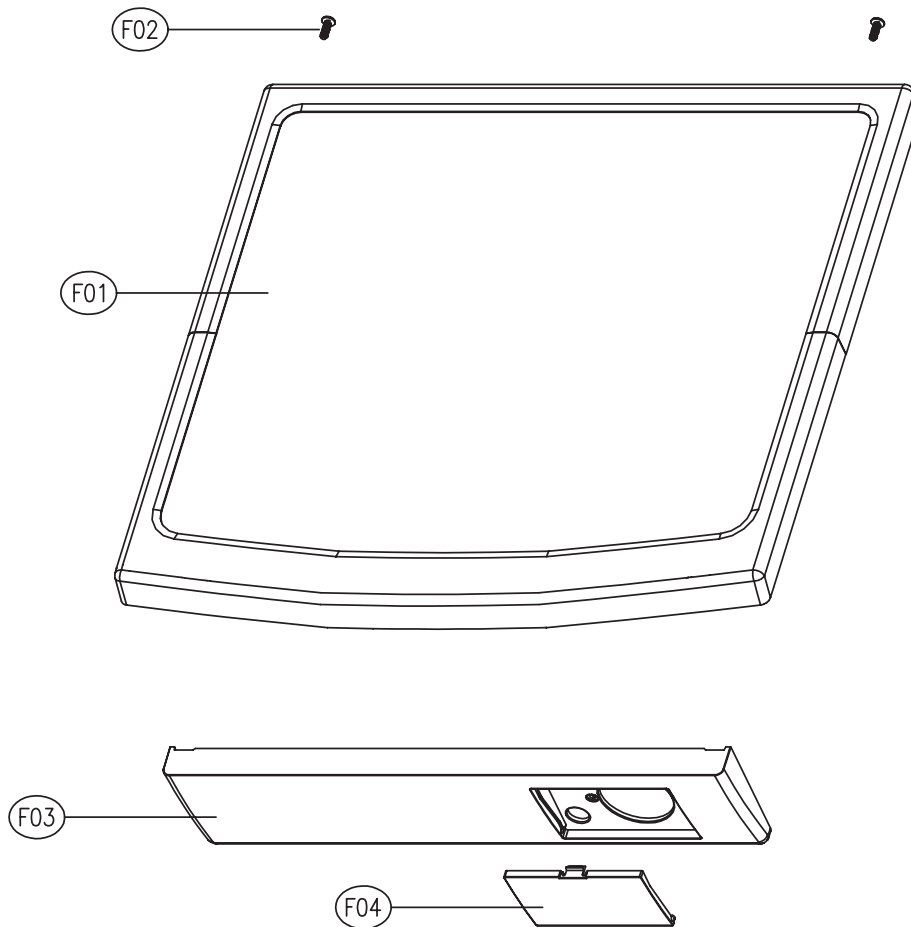
No.	PART NAME	PART CODE	SPECIFICATION	Q'TY	REMARK
D01	BALANCER WEIGHT F L/R	3616106320	FRONT, 5.5kg	2	
D02	SPECIAL SCREW(BALANCER)	3616029400	SWCH 8.5X30	8	
D03	GASKET	3612321400	EPDM	1	
D04	CLAMP GASKET AS	3611204520	HSW3,GS	1	
D05	TUB *F	3618821010	FRPP FH7304GM	1	
D06	SPECIAL SCREW(TUB)	3616029800	SWCH 6.5X30	14	
D07	FIXTURE HEATER	3612007300	SUS 0.7T 440°ø45	1	
D08	DRUM SUB AS	3617004002	SUS 0.5T	1	
D09	LIFTER WASH	361A400400	PP	3	OPTION
		361A400410	NANO		
D10	SPIDER AS	361A300510	ALDC+SM45C	1	
D11	SPECIAL SCREW(SPIDER)	3616029500	SUS430 8x25	3	
D12	HOSE DRAIN	3613267300	EPDM	1	
D13	CLAMP AS	3611203210	ID=60,WIRE+GUIDE+BOLT+NUT	1	
D14	CLAMP HOSE I	3611201401	HSW3, D2.6, MFZN, D=38	1	
D15	AIR TRAP	361A500101	PP	1	
D16	CLAMP HOSE	3611204700	D26	1	
D17	HOSE AIR	3613268600	ID=4, OD=8, L=700	1	
D18	TUB REAR AS	36100E2U10	D-FD14	1	
D18-1	TUB REAR	3618821110	FRPP FH7304GM 1	1	
D18-2	BEARING HOUSING	3616303321	ALDC M8 TAP D-FD'S DOMESTIC	1	
D19	BEARING OUTER	3616303200	6205Z FAG	1	
D20	BEARING HOUSING	3616303321	ALDC M8 TAP D-FD'S DOMESTIC	1	
D21	BEARING INNER	3616303100	6206Z FAG	1	
D22	WATER SEAL	361A600100	NBR	1	
D23	GASKET TUB (SEALING TUB)	3612321601	EPDM L=1600(-0,+10)	1	
D24	DAMPER FRICTION	361A700120	120N, AKS, ST=170-160, DL=197.5	2	
D25	DAMPER PIN	361A700200	AKS, D=14.5	2	
D26	HOSE VENT	3613267100	EPDM	1	
D27	CLAMP HOSE	3611204700	D26, wire-type	1	
D28	UNIT STATOR BLDC	36189L4820	AL-16T 36SLOT 2SNESOR	1	DONGSU
		36189L621A	AL,DON1000W 18T 36POLE,NMT,PBT	1	NEWMOTECH
		36189L621E	AL,DON1000W 18T 36POLE,ENTEK,NMT,PBT	1	NEWMOTECH
D29	SPECIAL BOLT AS	3616029920	SWCH M8+SILOCK, 35MM	6	DONGSU
		3616029910	SWCH M8+SILOCK,49MM	6	NEWMOTECH
D30	UNIT ROTOR BLDC	36189L4910	MAGENT24 SERRATION	1	DONGSU
		36189I6310	DON1000W SR-FERRITE12, 18T, NMT	1	NEWMOTECH
D32	HEATER WASH	3612802400	220V 2KW.1R0A721001.RW8TF.IRCA	1	DWD-FD'S(220V)
		3612802410	230V 2KW.1R0A721002.RW8TF.IRCA	1	DWD-FD'S(230V)
		3612802420	240V 2KW.1R0A721003.RW8TF.IRCA 1	1	DWD-FD'S(240V)
		3612802430	110V 1KW.1R0A721004.RW8TF.IRCA	1	DWD-F'S(110V)
		3612802440	120V 1KW.1R0A721005.RW8TF1PE.IRCA	1	DWD-FD'S(120-127V)
		3612803700	230V 2000W.1R5A721002.IRCA FUSE 2EA	1	DWD-F'S(230V), VDE
D33	UNIT BUBBLE PUMP AS	36189L4120	220-240V DBK-240DB RP CHSHION	1	OPTION(220-240)
		36189L4G10	100-130 DBK-115DB RP-CUSH		OPTION(100-130)
D34	SPRING SUSPENSION	3615115310	D3.2, L164	2	
D35	THERMISTOR WASH	361AAAAB10	R25=1.704kΩ R80=11.981kΩ	1	

■ CABINET AS



No.	PART NAME	PART CODE	SPECIFICATION	Q'TY	REMARK
E01	CABINET	3610811101	SGCC(GI), 0.7TX825.7X1630.8	1	DWD-FD'S
E02	SPECIAL SCREW	3616029100	M4x12.5, MACHINE	2	
E03	FRAME UPPER	3612205801	SGCC T1.0 55X580	1	
E04	SCREW TAPPING	3616029950	TTS"S" HEX F/L 4X8	4	
E05	FRAME TOP *L	3612205601	SGCC T1.4 52x500	1	
E06	FRAME TOP *R	3612205701	SGCC T1.4 52x500	1	
E07	STOPPER SPRING	3615202200	POM	2	
E08	COVER *B	3611427100	PP	1	
E09	SENSOR PRESSURE	3614825300	5V DRUM DL-DW11 INLET 90	1	
E10	FRAME LOWER	3612205501	SGCC T1.0 160X580	1	
E11	BASE U-L	3610392201	SGCC T1.4 100x500	1	
E12	BASE U-R	3610392301	SGCC T1.4 100x500	1	
E13	UNIT DRAIN PUMP AS	36189L5700	40W 110-127V/60HZ B20-3 DRUM(6KG.FILTER) CU	1	DWD-FD'S(110-127/60)
		36189L5K20	AL.220-240/50 B20-6 30W 6KG		DWD-FD'S(220-240/50)
		36189L5J20	AL.220/60 B20-5 35W 6KG		DWD-FD'S(220/60)
E14	CAP WATER REMAIN	3610916800	PP	1	
E15	HOSE WATER REMAIN	3613268700	EPDM, ID8.5, L200	1	
E16	LEG ADJUST AS	3617703811	FOOT + NUT	4	
E17	EMI FILTER	3611909320	K25,MIN7MH,X0.47U.Y222.VAR471K.NON FUSE	1	DWD-FD'S(EU)
E18	CUFF DRAIN HOSE	3616802500	PP	1	
E19	GUIDE DRAIN HOSE	3612510400	PP	1	
E20	HOSE DRAIN INNER AS	3613268401	L=870(changed)	1	
E21	CLAMP HOSE	3611204701	D26	1	
E22	REACTOR AS	3615800100	DWD-800W RT--046B	1	OPTION

■ PLATE T AS + PANEL LOWER AS



No.	PART NAME	PART CODE	SPECIFICATION	Q'TY	REMARK
F01	PLATE TOP AS	3614532900	DWD-800W(HIPS, MFC, WH)	1	DWD-F1411(2)
		3614532910	ABS+UV SPRAY, MFC, SILVER		DWD-F1413
		3614532920	DWD-F142X(HIPS, MFC, WH)		DWD-F1421(2)
		3614532930	ABS+UV SPRAY, MFC, SILVER		DWD-F1423
		3614533300	FX1X31~2, 41~2(HIPS, MFC, WH)		DWD-F1431(2) DWD-F1441(2) DWD-F1451(2) DWD-F1461(2) DWD-F1471(2)
		3614533310	F3~F4'S, SPRAY(ABS, MFC, SILVER)		DWD-F1433 DWD-F1443 DWD-F1453 DWD-F1463 DWD-F1473
F02	SCREW TAPPING	7122401411	T2S TRS 4x14 MFZN	2	
F03	PANEL LOWER	3614282801	HIPS	1	
F04	COVER PUMP FILTER	3611425801	HIPS	1	